



BEVERAGE CENTER

Stand Alone Model # 2D-SSA, 2D-SSD
Built-In Model # 1D-SSA, 1D-SSD

INSTALLATION INSTRUCTIONS & OWNER'S MANUAL

INSTALLER: Leave these instructions with consumer.
CONSUMER: Retain for future reference.



2D-SSD shown

IMPORTANT: READ ALL INSTRUCTIONS CAREFULLY BEFORE STARTING INSTALLATION OR USE.

⚠ WARNING

This electrical appliance is equipped with a three-pronged (grounding) plug for your protection against shock hazard and should be plugged directly into a properly grounded three-prong GFCI protected receptacle. Do not cut or remove the grounding prong from the plug.

Do not operate any appliance with a damaged cord or plug, after an appliance malfunction, or after the appliance has been dropped or damaged. Return the appliance to your dealer or authorized service facility for inspection, repair, or electrical/mechanical adjustment.

ELECTRICAL GROUNDING

To protect from electrical shock, this appliance must be grounded while in use.

If an extension cord is used, it must be a three-pronged cord listed for outdoor use. These cords are identified by the marking: "Suitable for use with outdoor appliances; store indoors while not in use." The cord must be rated at or above the rating of this appliance as specified on the rating plate.

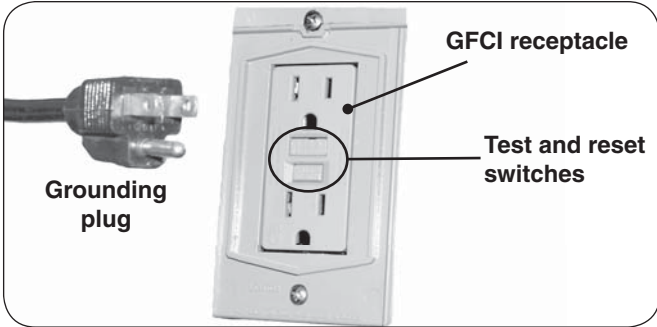


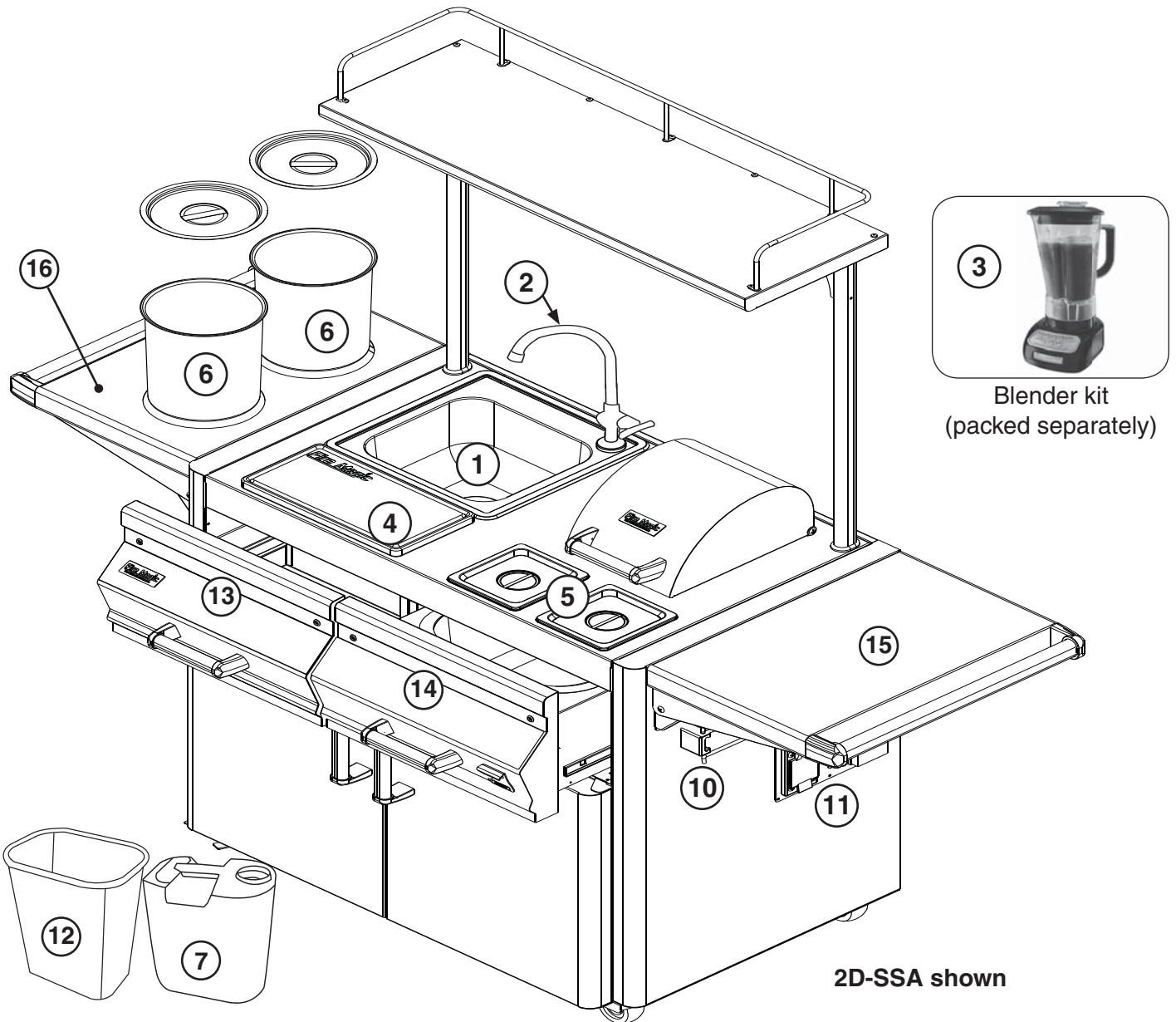
Fig. 1-1 GFCI receptacle

STAND ALONE REPLACEMENT PARTS LIST

Item	Description	Part No.	Qty.
1.	Sink	3587	1
2.	Faucet	3588	1
3.	Blender kit	3284-2	1
4.	Cutting board	1D-S-07	1
5.	Condiment holder with lid	1D-S-08	2
6.	Food/Beverage holder with lid	2D-S-09	2
7.	Waste water container	2D-S-13	1
8.	Overhead light lens*	24187-26	2

Item	Description	Part No.	Qty.
9.	Overhead light bulb*	24187-15	2
10.	Paper towel rack	25387-11	1
11.	GFI / receptacle & power supply	24387-18	1
12.	Waste basket	2D-S-14	1
13.	Storage drawer (w/glides)	1D-S-12	1
or	Diamond storage drawer (w/glides)	1D-SD-12	1
14.	Insulated ice drawer (w/glides)	1D-S-11	1
or	Diamond insulated ice drawer (w/glides)	1D-SD-11	1
15.	fold down shelf	24336-15	1
16.	Rigid shelf	2D-S-16	1

* Not shown



The beverage center is available in both built-in and stand alone models.

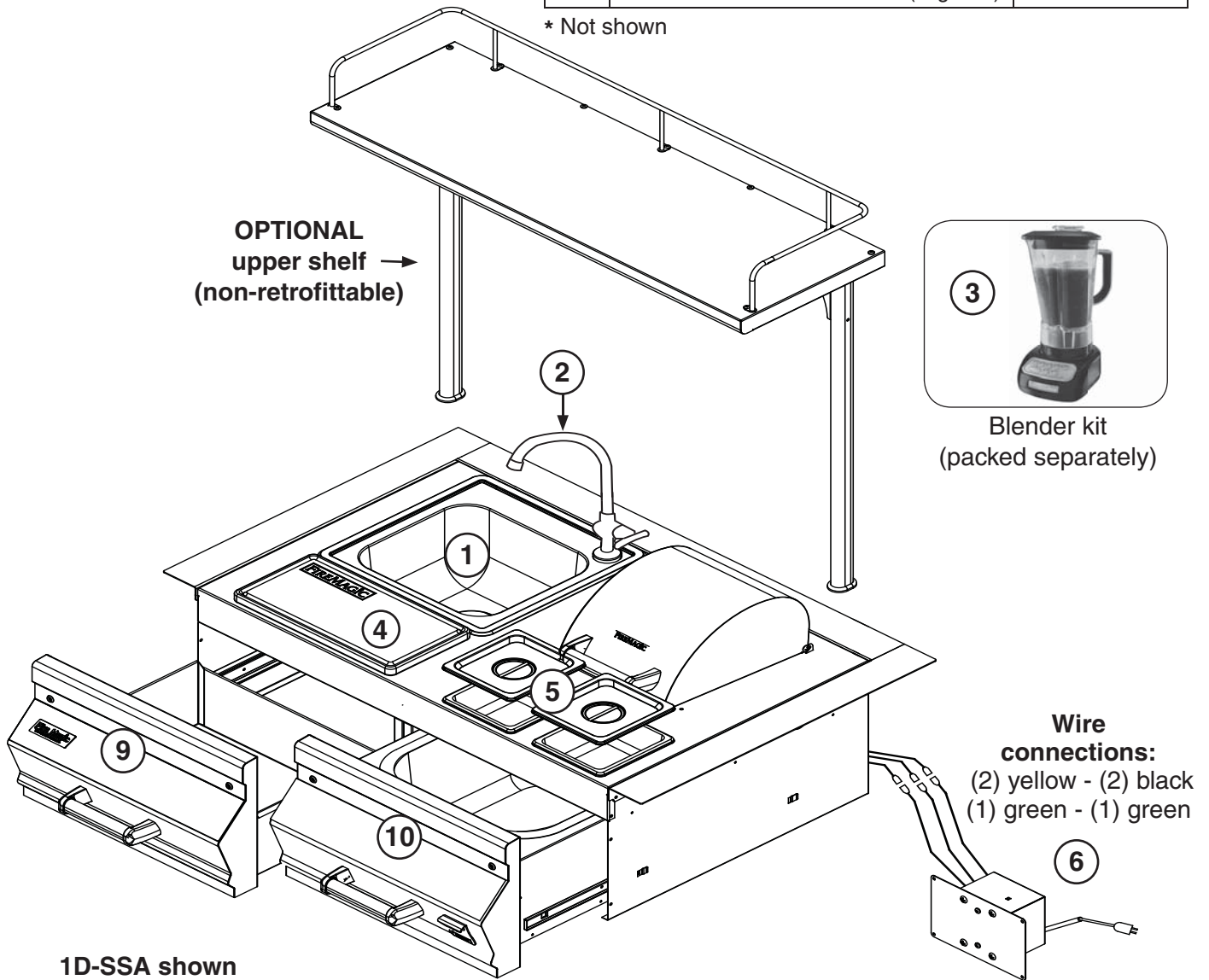
Built-in and stand alone models come with a sink, cutting board, blender, an equipment drawer, drawer-front bottle opener, and a clean ice drawer. The unit is also topped with an upper shelf (optional on built-ins) with a lighted covering that sports a wine glass rack and additional upper storage area.

Stand alone models come with shelves, a storage area containing two full-sized ice trays and two wine holders for cooling beverages, a wheeled cart, side-folding paper-towel rack, and built-in transformer box.

BUILT-IN REPLACEMENT PARTS LIST

Item	Description	Part No.	Qty.
1.	Sink	3587	1
2.	Faucet	3588	1
3.	Blender kit	3284-2	1
4.	Cutting board	1D-S-07	1
5.	Condiment holder with lid	1D-S-08	2
6.	Electrical junction box	24187-18	1
7.	Overhead light lens (if equipped)*	24187-26	2
8.	Overhead light bulb (if equipped)*	24187-15	2
9.	Storage drawer (w/glides) or Diamond storage drawer (w/glides)	1D-S-12 1D-SD-12	1 1
10.	Insulated ice drawer (w/glides) or Diamond insulated ice drawer (w/glides)	1D-S-11 1D-SD-11	1 1

* Not shown



BUILT-IN UNITS

Prepare a cut-out in the countertop as specified in Table 1 and shown in Fig. 4-1. Note additional clearance required to the rear for the blender cover to open fully.

Counter Cut-out Dimensions	
Counter Opening Height*	12"
Counter Opening Width*	36-3/4"
Counter Opening Depth*	23-1/2"

Table 1

Install a listed, grounded 110-volt GFCI receptacle beneath the countertop within 5 feet of the blender base so that the blender can be plugged into it. Install the electrical junction box (see REPLACEMENT PARTS LIST) near the GFCI receptacle so that it can be plugged in the receptacle. The wires from the box must be connected to the wires located on the rear of the beverage center as follows:

- Connect the two yellow wires (junction box) to the two black wires (beverage center).
- Connect the green wires (one found on both junction box and beverage center).

The junction box must be put inside the enclosure before the beverage center is installed.

After the enclosure cut-out and the electrical and plumbing hookups are prepared, place the beverage center into the cut-out. Keep all electrical wires from being pinched between the beverage center and the enclosure.

The beverage center will rest on the countertop by its stainless-steel hanger and on the front support shown in Fig. 4-1 underneath the face.

Silicon sealant may be applied around the top edge of the countertop cut-out to create a barrier between the housing and countertop capable of keeping out fluids. Do not use silicon between the blender base and the stainless-steel housing, as the base must be removable for cleaning and maintenance.

STAND ALONE UNITS

Locate the unit on a flat, level surface near desired electrical and water lines. To lock a caster press down on the side of the lever with the word "OFF" stamped on it until it stops and does not turn (see Fig. 4-2). Repeat for all casters. For the stand alone beverage center, plug the end of an extension cord matching the requirements on the cover into the left-most electrical receptacle on the right side.

⚠ WARNING
Have all electrical work performed by a licensed professional electrician.

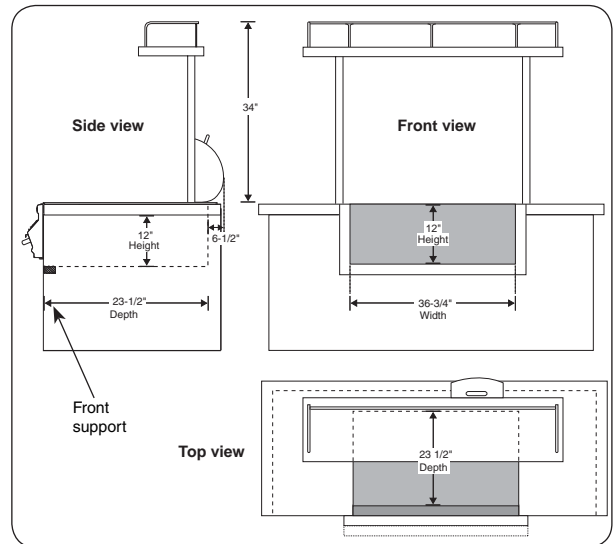


Fig. 4-1 Counter cut-out dimensions (built-in only)

⚠ WARNING
Have all electrical work performed by a licensed professional electrician.



Fig. 4-2 Caster in locked position (stand alone only)

PLUMB OR SET UP WASTE WATER DISPOSAL

The sink comes with a plastic trap and drainpipe extending just below the sink (see Fig. 5-1).

A waste water container may be placed under the sink. It must then be periodically checked and emptied when full.

Alternately, a permanent waste water drain may be plumbed from under the sink out through the knock-out in the rear left (stand alone only) or the enclosure (built-in only) to an appropriate drain. Observe all locally applicable codes. If required, remove the knock-out (stand alone only) by striking it forcefully in the center with a mallet or other appropriate tool. Observe all locally applicable codes.

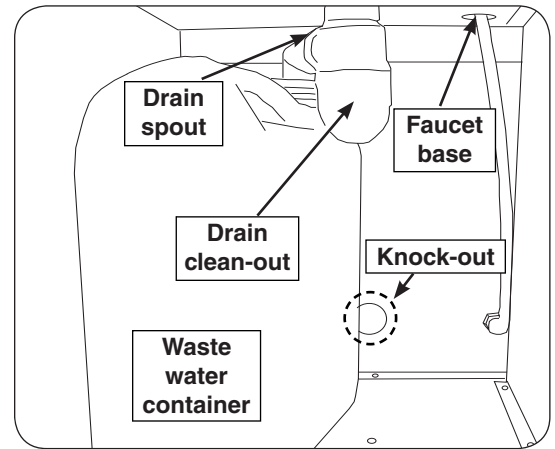


Fig. 5-1 Drain sink to container or drain line

ATTACH A WATER SOURCE (STAND ALONE)

The sink comes pre-installed and is plumbed so that a garden hose or other pressurized water-supply line can be connected to the female hose connector centered in the lower end of the back of the unit (see Fig. 5-2). The connector on the garden hose must be clean and free of foreign material. Screw the end of the hose onto the female hose connector.

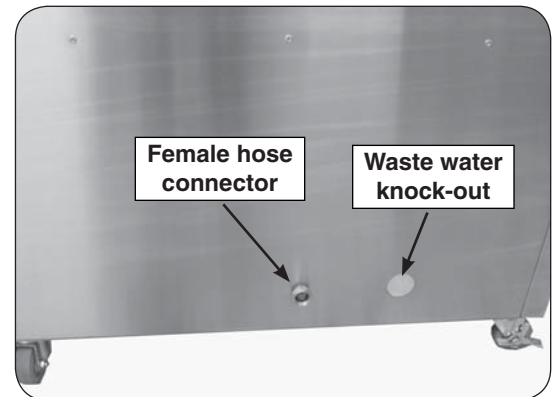


Fig. 5-2 Stand alone water hookup

ATTACH A WATER SOURCE (BUILT-IN)

Plumb a water line through the inside of the enclosure to the 1/2" NPS connector attached to the faucet.

CONNECT THE STAND ALONE TO ELECTRICAL POWER

To use the electrical outlets, blender, and electrical sockets (stand alone only), the beverage center must be connected to electrical power. This is performed by plugging in a grounded electrical extension cord rated for outdoor use.

Plug the male end of the extension cord into an active electrical outlet and the female end into the left-most electrical connector on the right side of the unit (Fig. 5-3). Other electrical devices may be plugged into the electrical outlets on the right of the line-power hookup.



Fig. 5-3 Electrical connectors (stand alone only)

PLACE BLENDER IN BLENDER MOUNTING

Open the domed lid attached to the right rear of the countertop. Unpack the blender and read the instructions.

Remove the tray located on top of the counter in front of the domed lid. Then attach the provided plastic plug to the blender electrical cord. Feed the cord through the cutout that is located at the rear of the tray opening. Be sure to snap the plastic plug in place. Then replace the tray. See Fig. 5-4. From there, route the cord through the unit and to the nearest grounded electrical outlet.

In the stand alone unit, the nearest outlet is located in the right-side wall. Lower the cord towards the right-side wall and then open the doors and remove the middle right-side

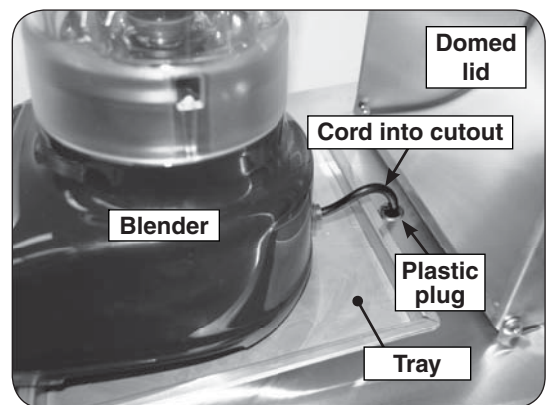


Fig. 5-4 Blender placement (side view)

drawer. Locate the blender cord through the opening on the right above the receptacle (Fig. 6-1) and plug it in.

Ensure the blender rests in the tray in front of the domed lid.

See blender instructions for additional details on blender installation, use, and maintenance. Test the blender and electrical connection by applying and turning off power without the container in place.

PLACE THE CUTTING BOARD

Unpack the wood cutting board and place the four (4) rubber feet into the four (4) depressions on top of the counter in front of the sink (Fig. 6-2). The cutting board is designed to stay firmly in place while in use and yet be easy to remove, clean, and store as needed.

PLACE STAINLESS-STEEL BOTTLE/FOOD HOLDERS (STAND ALONE ONLY) AND CONDIMENT STORAGE CONTAINERS (BUILT-IN AND STAND ALONE)

Unpack the stainless-steel bottle/food holders and condiment storage containers with lids.

Place the condiment storage containers in the rectangular holes in the top of the counter in front of the blender. Cover them with the rectangular lids (Fig. 6-3).

On the stand alone only, lift the left shelf and lock it into place following the instructions below, then insert the two stainless-steel bottle holders into the circular holes in the top of the shelf (see Fig. 6-4).

Alternately, a tap for draught beverages could be installed/inserted through the rear circular hole.

⚠ WARNING
Do not use blender in rain or wet conditions.

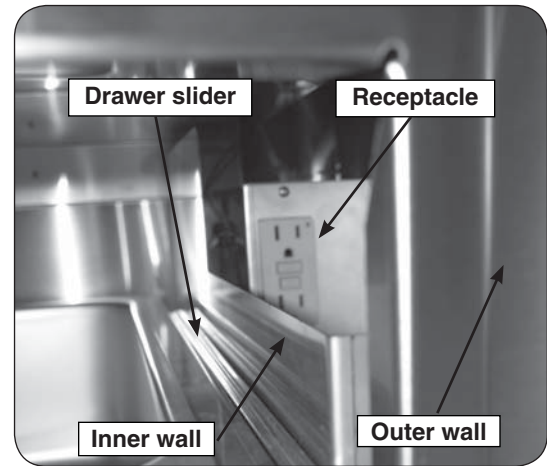


Fig. 6-1 Plug-in blender inside left stand alone wall

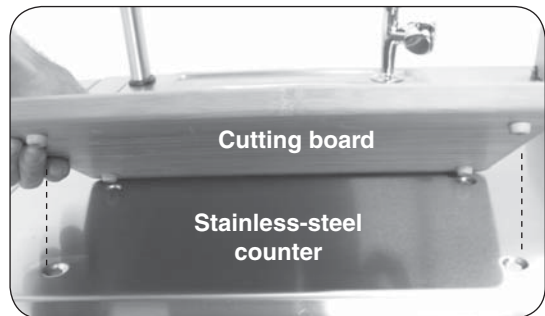


Fig. 6-2 Match cutting board feet to holes



Fig. 6-3 Slide the containers into countertop



Fig. 6-4 Slide the holders into the shelf-top holes

INSTALL PAPER TOWEL HOLDER (STAND ALONE ONLY)

Unpack the paper-towel holder hanger, squeeze the open ends together slightly, and insert them into the mounting bracket on the front right (Fig. 7-1). Next, release the hanger so that the ends poke out through the holes in the top and bottom of the mount.



Fig. 7-1 Paper towel holder (stand alone only)

OPERATION

(UN)LOCKING CASTERS (STAND ALONE ONLY)

To lock a caster press down on the side of the lever with the word "OFF" stamped on it until it stops and the caster will not turn. To unlock, press down on the side stamped "ON."

TURNING THE LIGHT ON AND OFF (IF EQUIPPED)

Note: The beverage center must be plugged in to a 110V AC power source.

Locate the button underneath the right side of the light panel. Press the button to turn on and off the two halogen lights underneath the rack.

USING MAGNETIC BOTTLE OPENER

A magnetic bottle opener is located on the right side drawer. To use simply insert the top of the bottle as shown in Fig. 7-4 and pull the bottom of the bottle downward until the cap is removed. The cap will then stick to the magnet instead of falling to the ground. Remove the cap from the magnet and discard.



Fig. 7-2 Caster in locked position (stand alone only)



Fig. 7-3 Using the light switch



Fig. 7-4 Magnetic bottle opener (right drawer)

DOORS AND DRAWERS

The left top drawer (Fig. 8-1) is for tool/utensil storage. The blender container and other such items may be stored effectively in this drawer.

The right top drawer is for storage of *clean* ice. Open the drawer, make sure the drain plug is in place (Fig. 8-2), and pour the ice into the basin. Close the drawer to protect the ice from wind and debris and to keep it shaded.

To drain the top right ice drawer, completely pull it out, then remove the drain plug and allow the melted ice to drain. DO NOT close the door until all water has drained. Wipe out and clean as needed.

The two basins inside the door on the right of the beverage center (stand alone only) are for iced beverage storage. The basins may be removed to dump used ice (Fig. 8-3).

To remove a drawer; pull it completely out. Release the drawer from the drawer slides by pressing the black lever down on the right side, and up on the left side (Fig 8-4). Then lift upward and outward on the drawer until it comes free of the runners.

To re-attach a drawer; extend the drawer slides completely and align the drawer into the slides, pushing the drawer closed. Open the drawer to verify that it has locked in place.

Both stand alone doors are held in place magnetically when closed.

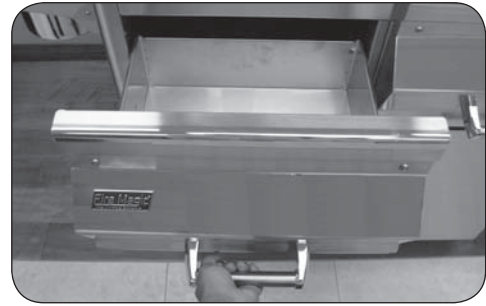


Fig. 8-1 Left storage drawer



Fig. 8-2 Clean ice storage drain plug



Fig. 8-3 Removing basin

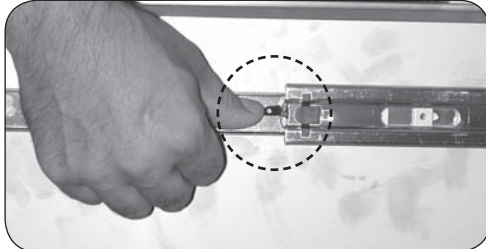


Fig. 8-4 Release drawer slider prior to removal

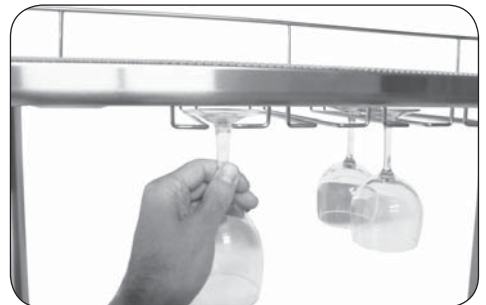


Fig. 8-5 Glass storage racks under top (if equipped)



Fig. 8-6 Waste basket (Stand alone only)

⚠ WARNING

Total weight on the upper storage shelf must not exceed 35 lbs.

WINE GLASS RETAINER (IF EQUIPPED)

Place wine glasses as shown in Fig. 8-5. Do not force.

USING THE WASTE BASKET (STAND ALONE ONLY)

The rubber waste basket fits into the stainless-steel loop attached to the inside of the left door (Fig. 8-6).

TO LOWER OR RAISE SHELVES (STAND ALONE ONLY)

A. To lower the shelf, grasp the shelf and lift from the hinges (Fig. 9-1).

Important: Wine bottle/food containers must be removed prior to collapsing the left-hand shelf.

B. To raise the shelf, grasp the shelf away from the hinge and lift upward until the hinge comes out of the retainer slot. Then rotate the shelf upward until it is completely horizontal and drop the hinge back into the retaining slot, keeping fingers and other objects away from the hinges.

ADJUSTING AND REFILLING THE PAPER-TOWEL HOLDER

To use the paper-towel holder:

1. Make sure the drop down shelf is upright.
2. Grasp the rounded end of the paper towel holder firmly (without compressing it) and pull it away from the side of the unit so that it rotates toward the front of the unit and locks into the extended position.
3. Slide a roll of paper towels over the rounded end of the paper-towel holder until the entire roll is on the holder (Fig. 9-2).

When not in use, the rack may be folded back out of the way by firmly grasping the rounded end of the holder and rotating it back into position against the wall of the unit.

⚠ WARNING

Do NOT place fingers near hinge when closing.

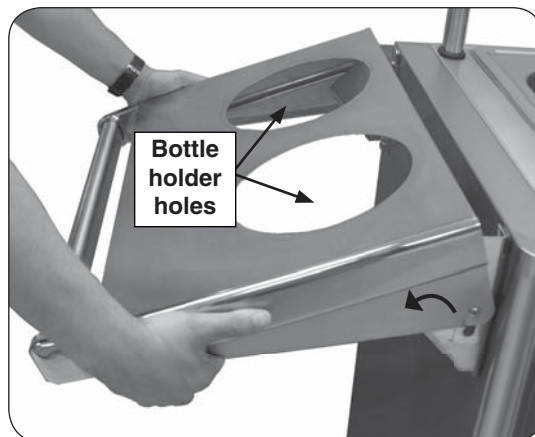


Fig. 9-1 Lower left shelf (holders removed)

⚠ WARNING

The paper-towel holder must be folded back against the unit before lowering the folding shelf (see above). Failure to do so could result in damage to the beverage center.



Fig. 9-2 Paper-towel holder (stand alone only)

CHANGING THE BULBS (IF EQUIPPED)

Important: ONLY REPLACE WITH 12V / 10 WATT HALOGEN BULB(S).

WARNING: To protect from potentially sharp sheet metal and glass, wear gloves and safety glasses during this procedure.

1. Turn off all electrical sources.

Important: Place one hand directly below the glass lens and prepare to catch it when it is detached.

2. Carefully insert your fingernail or a thin plastic spatula between the glass lens and the stainless steel, and gently pry the glass lens out (Fig. 10-1). Catch the lens (Fig. 10-2) and set it safely aside.

Note: You may wish to take this opportunity to clean and dry the lens with a standard household window cleaner. Dry completely before reattaching.

3. Wearing a pair of gloves, reach into the fixture, gently grab the bulb (Fig. 10-3), and pull it straight down and out of the fixture so that the two pins at the base of the bulb come all the way out.

Important: Bulb is halogen. **DO NOT TOUCH** with bare hands. Oils from hands drastically reduce bulb life.

Note: It may be helpful to rock the bulb gently backward and forward while pulling it out.

4. Insert the new **12V / 10 watt halogen bulb** into the socket so that both pins slide all the way into the two holes in the bottom of the socket.
5. Place the lens back into the fixture opening with the curved cut-out toward the back and snap it back into place.

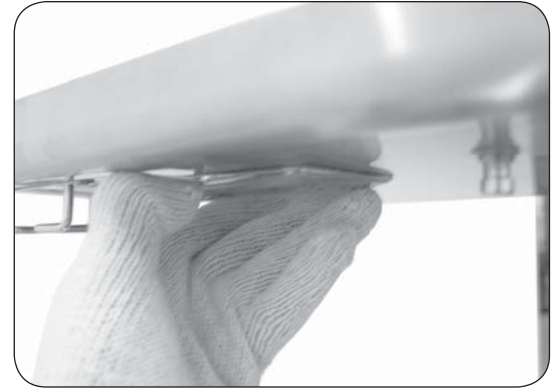


Fig. 10-1 Pry glass lens out

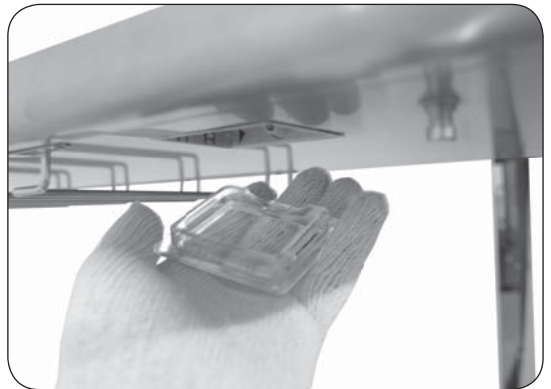


Fig. 10-2 Catch lens and set aside



Fig. 10-3 Remove bulb



Fig. 10-4 Beverage center cover

BEVERAGE CENTER COVER

To reduce the need for cleaning, cover your beverage center between uses with the Fire-Magic® custom cover (Fig. 10-4).

Always remove items from the upper storage area before covering.

Uncover the beverage center with care. Always lift or slide the cover gently off the upper storage rack. Never pull sideways, as the rack may be damaged or loosened.

CARE AND CLEANING

Clean up spills as required with a damp cloth or sponge or a non-abrasive low-acid cleaning solution. For heavy cleaning, clean with a quality stainless-steel cleaner as necessary. Follow the directions on the cleaner. Always wipe in the direction of the grain (see Fig. 11-1).

You may find it useful to first remove the blender from the stainless-steel housing (see the PLACE BLENDER IN BLENDER MOUNTING section, or separate blender instructions).

In a humid environment, due to the nature of stainless steel, iron oxide deposits may appear. Such deposits are removable using stainless-steel cleaner.

Store the blender container in a drawer and close the stainless-steel lid over the blender base to protect it when not in use.

Cover your beverage center when not in use (see BEVERAGE CENTER COVER section).

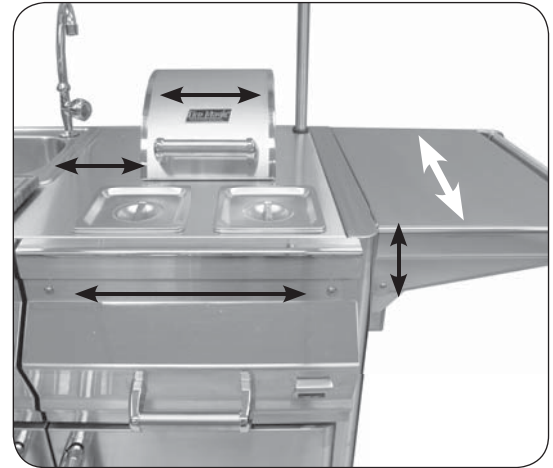


Fig. 11-1 Always wipe with grain

WARRANTY

PETERSON FIRE MAGIC GRILLS AND ACCESSORIES LIMITED WARRANTY

Robert H. Peterson Co. ("RHP") warrants your Fire Magic® grill to be free from defects in material and workmanship.

Fire Magic® cast stainless-steel burners, stainless-steel rod cooking grids, and stainless-steel housings are warranted for as long as you own your Fire Magic® grill -- **LIFETIME**. (Except as noted below.)

Fire Magic Choice stainless steel tubular burners are warranted for **TWENTY (20) YEARS**.

Fire Magic® cast brass burners, brass valves, inner liners, manifold assemblies, and backburner assemblies (except ignition parts) are warranted for **FIFTEEN (15) YEARS**.

Fire Magic® Electric Grills, including stainless steel grid, and housings are warranted for **TEN (10) YEARS**.

Fire Magic® Infra-red burners, flavor grids, Charcoal stainless steel grills, and Smokers are warranted for **FIVE (5) YEARS**; except for the charcoal pan, charcoal grid, wood pellet screen, thermometer, and ash tray; which are warranted for **ONE (1) YEAR**.

Fire Magic® sideburners and all other Fire Magic® grill components (except ignition and electronic parts) are warranted for **THREE (3) YEARS**.

Fire Magic® ignition systems (excluding batteries), electronic components (including lights and thermometers), and grill accessories are warranted for **ONE (1) YEAR**.

A COPY OF YOUR SALES SLIP FOR PROOF OF PURCHASE IS REQUIRED

This warranty applies to the original purchaser for products which are installed in the United States or Canada and which are operated and maintained as intended for single family residential usage. This warranty is valid only with proof of purchase, shall commence on the date of purchase, and shall terminate (both as to original and any replacement products) on the anniversary date of the original purchase of the product stated on the above schedules.

This warranty covers defects in material and workmanship. This warranty **does not** cover parts which become defective as a result of negligence, misuse, use not in compliance with the Owner's Manual/Installation Instructions, accidental damage, improper handling, improper storage, improper installation, lack of required routine maintenance (as specified in the Owner's Manual/Installation Instructions), electrical damage, local gas impurities or failure to protect against combustibles. Product must be installed (and gas must be connected) as specified in the Owner's Manual/Installation Instructions by a **qualified professional installer**. Modifications to products which are not specifically authorized will void this warranty. Accessories, parts, valves, remotes, etc. when used must be Peterson products or this warranty is void. Warrantied items will be repaired or replaced at Peterson's sole discretion. This warranty **does not** apply to rust, corrosion, oxidation, or discoloration unless the affected part becomes inoperable.

This warranty **does not** cover labor or labor related charges, except as provided by separate specific written programs from the Peterson Co. All repair work must be performed by a qualified professional service person and requires prior approval of Peterson.

Peterson may require the defective product or part to be returned to the factory to determine the cause of failure. Peterson will pay freight charges if the product or part is determined to be defective. This warranty does not cover breakage in shipment from our (Independent) distributor to its customer if the damage is determined to have occurred during that shipment.

This warranty specifically excludes liability for **indirect, incidental**, or consequential damages. Some states and provinces do not allow the exclusion or limitation of incidental or consequential damages, so the above exclusion may not apply to you. This warranty gives you specified legal rights, and you may have other rights that vary from state to state or province.

For additional information regarding this warranty, or to place a warranty claim, contact the R. H. Peterson dealer where the product was purchased.

**TO REGISTER YOUR PRODUCT ONLINE GO TO: WWW.RHPETERSON.COM,
AND CLICK ON PRODUCT REGISTRATION. THANK YOU FOR YOUR PURCHASE.**