






-  CHROME
01038358
-  BRUSHED CHROME
01038359
-  MATTE BLACK
01038360
-  ROSE GOLD
01038361
-  BRUSHED GOLD
01038362
-  NICKEL
01038363
-  BRUSHED NICKEL
01038364

HYDROTAP® CELSIUS ALL-IN-ONE

BOILING | **CHILLED** | **SPARKLING**

The ultimate in style and functionality, the HydroTap Celsius AIO BCS replaces your boring old kitchen faucet with a single tap that instantly dispenses boiling, chilled and sparkling water PLUS unfiltered hot and cold sink water. With the award-winning HydroTap you can get better water, more ways, right away.

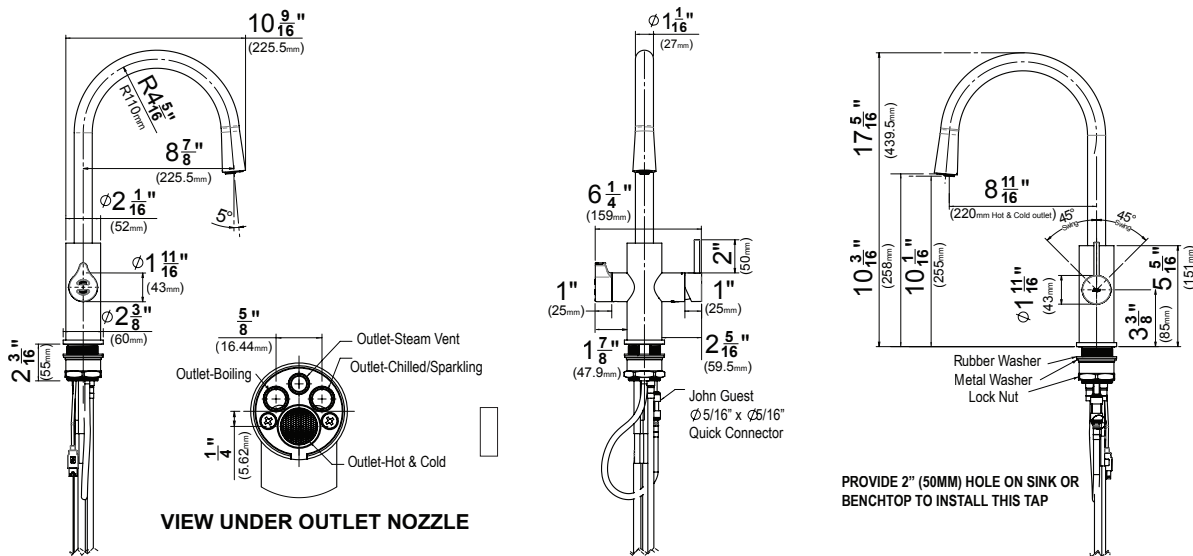
HYDROTAP® CELSIUS ALL-IN-ONE

BOILING | CHILLED | SPARKLING



TAP SPECS

Style	HydroTap Celsius AIO - includes child safety lock + Hot & Cold Mixer
Hole Size	2"
Available Finishes	Chrome, Brushed Chrome, Matte Black, Rose Gold, Brushed Gold, Nickel & Brushed Nickel
Installation	Over Sink
Mixer Type	Ceramic disc cartridge
Flow rate	Max 1.8gpm
Sparkling Water Flow Rate	0.36 gpm



ORDER CODES FOR PRODUCTS

01038358	BCS - Celsius AIO (Chrome)
01038359	BCS - Celsius AIO (Brushed Chrome)
01038360	BCS - Celsius AIO (Matte Black)
01038361	BCS - Celsius AIO (Rose Gold)
01038362	BCS - Celsius AIO (Brushed Gold)
01038363	BCS - Celsius AIO (Nickel)
01038364	BCS - Celsius AIO (Brushed Nickel)

ORDER CODES FOR SCALE FILTER KITS

01037868	Zip Scale Filter 2250 Liter (595gal) - FL250
01037869	Zip Scale Filter 3750 Liter (990gal) - FL500
01037870	Zip Scale Filter 7000 Liter (1850gal) - FL1000
01037871	Zip Scale Filter 10000 Liter (2640gal) - FL1500
01037871	Zip Scale Filter Installation Kit (Filter Head and Braided Hoses) - FL401

ORDER CODES FOR REPLACEMENT FILTERS

01034276	Filter, Zip, 0.2 Micron, 1 Size - 93701
01034278	Filter, Zip, 3 Micron, 1.5 Size - 93703

ORDER CODES FOR REPLACEMENT CO₂

01034347	Zip 2 x 1.5lb CO ₂ refillable/recyclable cylinders
01034349	Zip CO ₂ Regulator

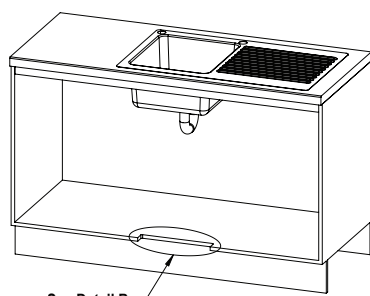
HYDROTAP® CELSIUS ALL-IN-ONE

BOILING | CHILLED | SPARKLING

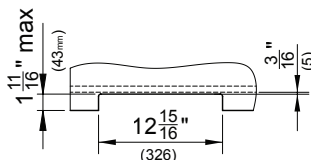


COMMAND CENTER SPECS

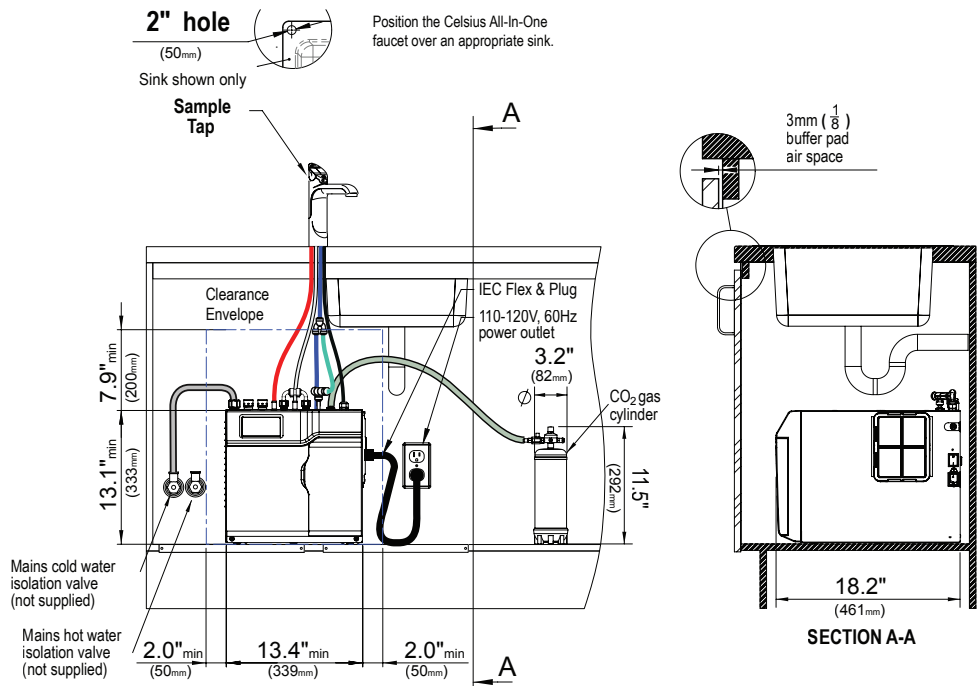
Water Pressure	Min 30psi – Max 75psi with a minimum flow rate of 1 gpm
Water Connection	2 x 1/2" BSP - isolation valve is required within 3' of the installation (hot & cold)
Integral Water Values	HydroTaps are fitted with a Dual Check Valve and a 50psi Pressure Limiting Valve
Water Supply Requirements	Potable drinking water supply
Total Dissolved Solids (TDS)	TDS Min 50ppm – Max 120ppm
Integral Water Filter	0.2 micron, 1 size - Replace every 1,500 gallons or 12 months
Power Rating	110-120V, 60 Hz, 1.25kW
Power Supply Requirements	110-120V, 60Hz 15 amp power supply with a NEMA 5-15 outlet
Dimensions (WxDxH)	13.4" x 18.2" x 13.1"
Minimum Air Gap	Clearances are required - 2" Left side , 2" Right side , 8" Above
Dry Weight	85lbs
Product Approvals	WQA - NSF/ANSI 372, 42 & 53, cUL, CEC
Warranty	2 years (1 year Limited Warranty plus additional 1 year Warranty is available on product registration)
CO ₂ Cylinder	2 x 1.5lb Beverage Grade Carbon Dioxide Cylinder
CO ₂ Capacity	Approximately 950 8oz cups
CO ₂ Operating Pressure	Min 39psi - Max 43psi



See Detail B
VENTILATION DETAIL



DETAIL B: CABINET FLOOR CUT-OUT



SECTION A-A

Installation and connection of your HydroTap must be carried out by a qualified person, observing all local, state, & federal regulations. You will require suitable 110 -120V 60Hz 15 amp power supply with a NEMA 5-15 electrical outlet within 3' of the product. The HydroTap is an air-cooled system, so discrete cabinetry cut-outs are required for ventilation. Installation on most counter tops is straightforward, however some stone counter tops may require a specialized cutting service. If using a drip tray (font) accessory, suitable drainage to a trapped waste is required within 3' of the installation. If you live in an area with hard water (more than 120ppm), we recommend installation of a scale filtration kit. Sufficient space and clearance to install the HydroTap as detailed in the product installation guidelines is required. Installation by Zip Professional Service can be arranged with a phone call to 1-833-233-2358 or through www.us.zipwater.com