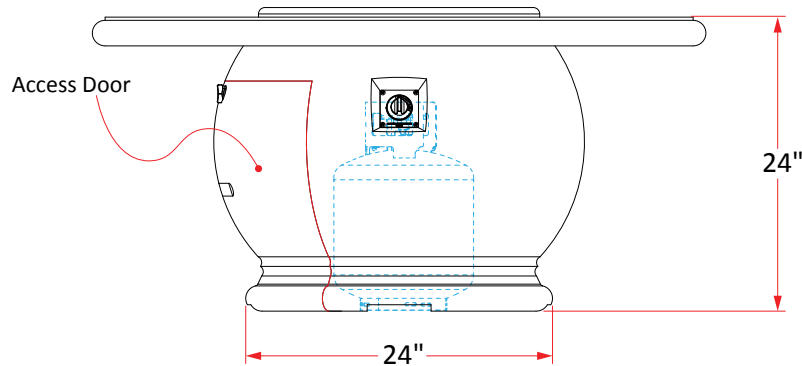
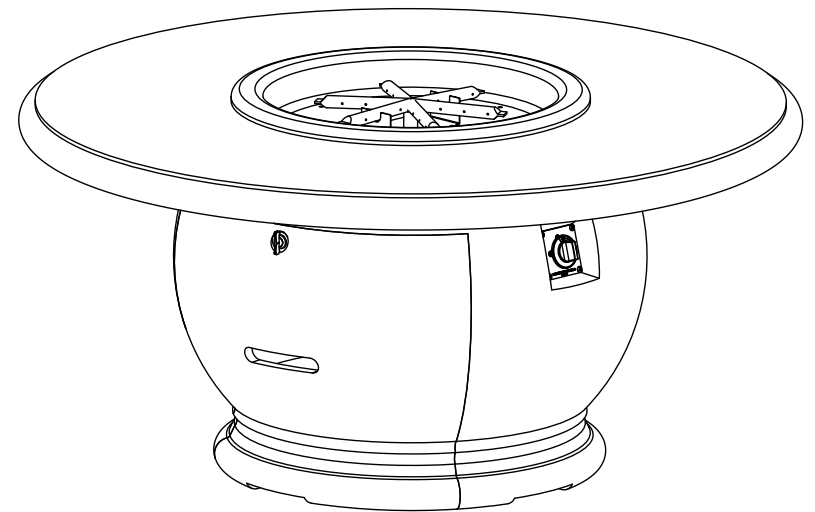
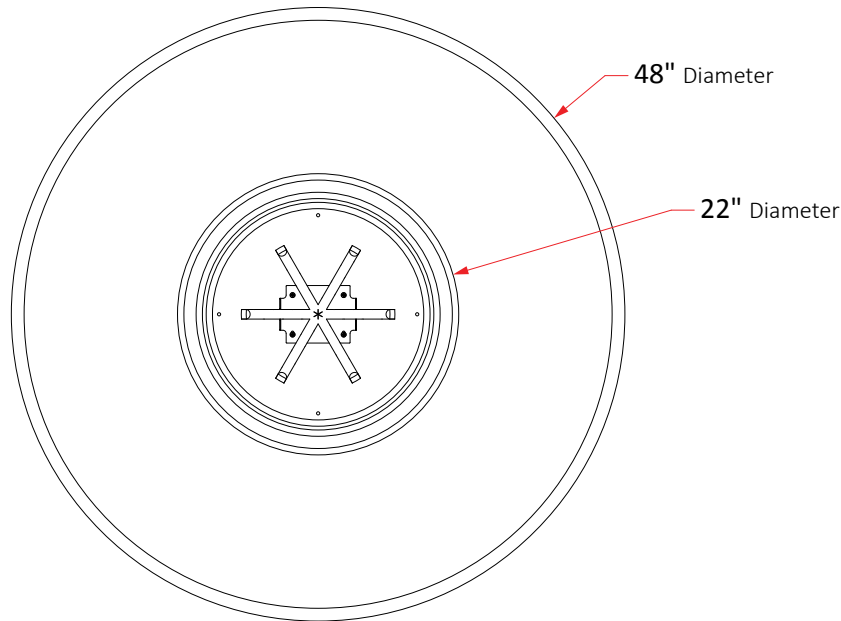


# Amphora Firetable (w/Concrete Table Top)

Model #: 610-xx-11-V2xC



## #610 - Amphora Firetable Specs

Dimensions:	48" diameter x 24"h
Weight:	450 lbs
Key Valve (V2) BTU's:	60,000 (NG)/50,000 (LP)

*Accepts a 5 gal. Propane tank inside the unit (not included).*

**AMERICAN**  
**FYRE DESIGNS™**  
outdoor Products Collection