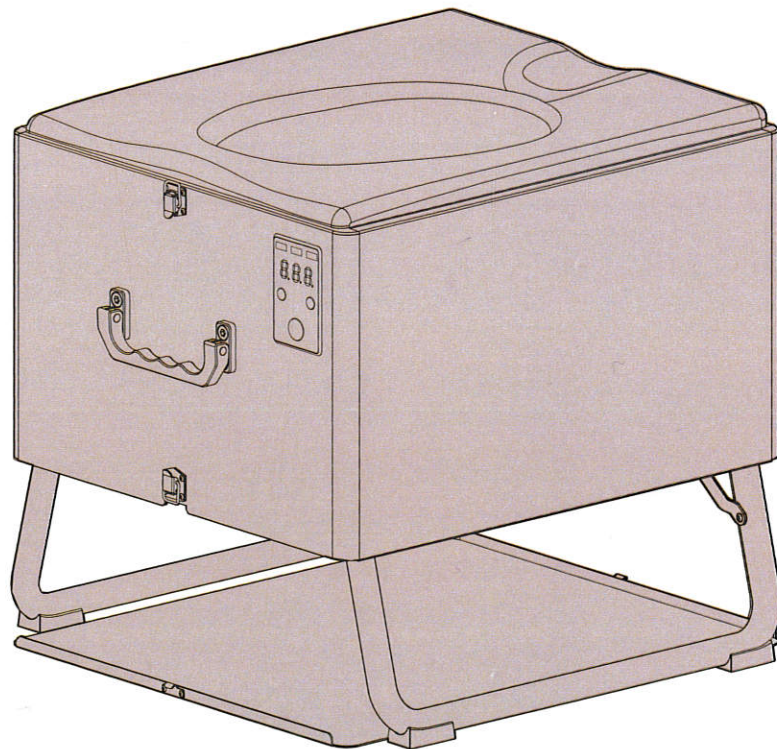


# **AUTO SEALING TOILET**

## **USER MANUAL**



Please read this user manual thoroughly prior to operating the toilet  
Please keep this manual for future reference.

## PREFACE

### ATTENTION

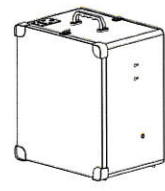
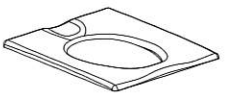

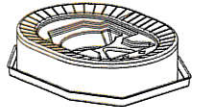

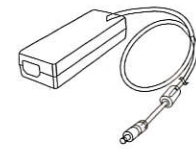


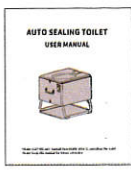

- In this manual, you will find the instruction of operating correctly, trouble shooting and maintenance.
- The product is used to package and seal excretory indoors or outdoors.
- The excretory are coagulated by the dedicated coagulant, and sealed in a PE bag, to maintain a clean, odorless and sanitary environment.
- To maintain a clean, odorless and sanitary environment.

### CAUTION AND WARNING



- Only use the accessories attached with the product, otherwise it might be damaged.
- Do not water the product, otherwise it might be damaged or caused to electric shock.
- Do not enter the sealing mechanism during operating. Otherwise it could cause trouble or accidents.
- Do not use the product in the vicinity of a source of fire, or throw cigarette butts into the film bag.
- Coagulant is inedible. Make sure children and pets do not come into contact with the coagulant.
- Coagulant is special dedicated. Do not replace it with others.
- Do not throw sharp stuffs into the film bag.
- The max load capacity is 200KGS.
- Please cut off power supply when moving the product.
- Do not operate the control panel when sitting on the product.
- Please use neutral detergent to clean the product.
- Do not use battery except that provided by us.
- Do not use tools except that provided by us.
- Do no disassemble, repair or retrofit the product.
- Please remove the bags on the bottom plate in time.
- Please double check if the film roll is installed correctly before using the product.
- Please replace with a new film roll when "STOP" mark appears.
- In case of a fall, please double check if the product is placed stably before using the product.

# PARTS LIST

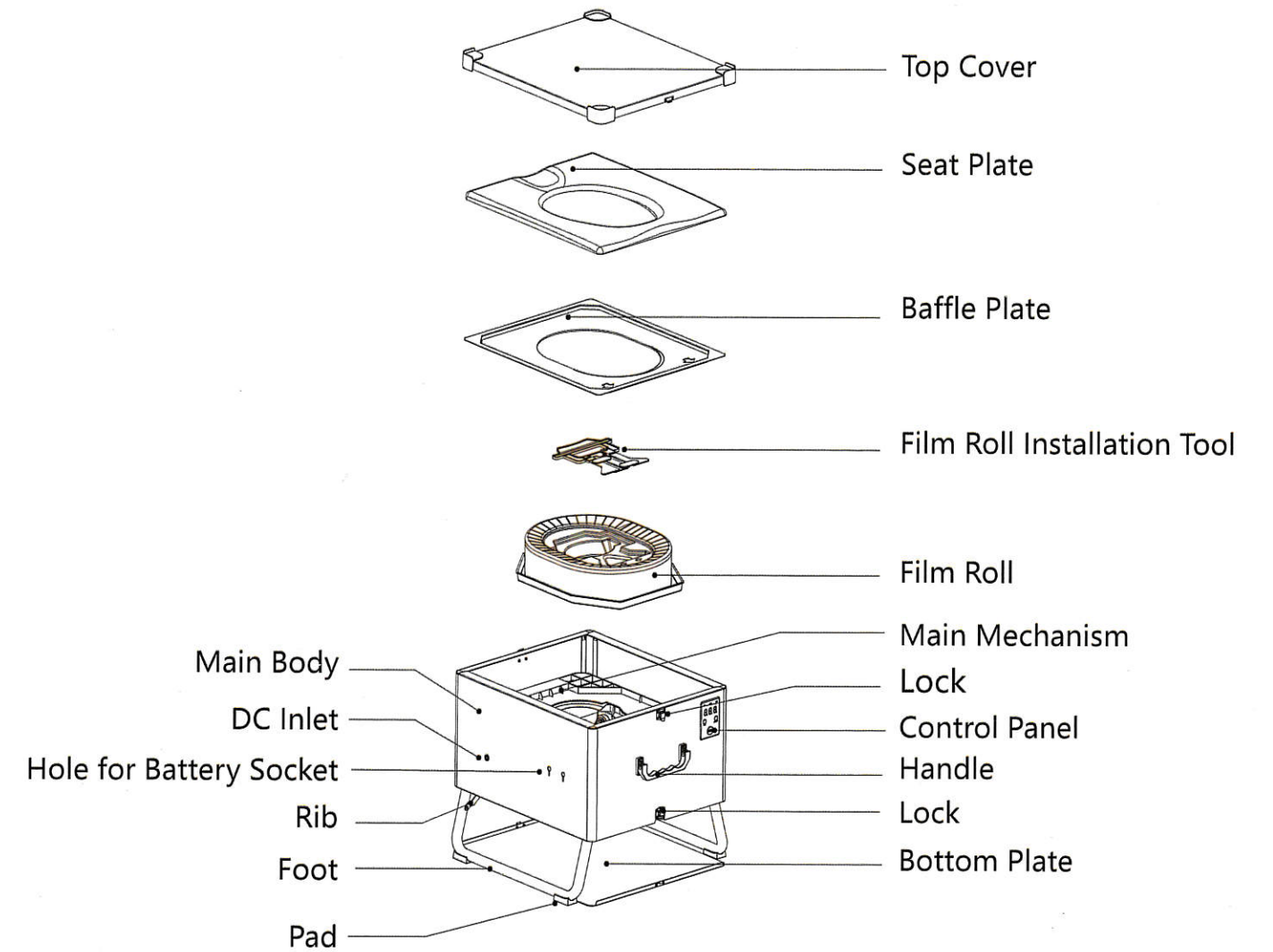
- ◆ Please check the parts and consumables before using the product.
- ◆ The package contains parts and consumables as below.

 Toilet *1	 Seat Plate *1	 Baffle Plate *1	 Film Roll *1
 Film Roll Installation Tool *1	 AC/DC Adaptor *1	 AC Cord *1	 Coagulant *1
 Manual *1	 QC Certificate *1		

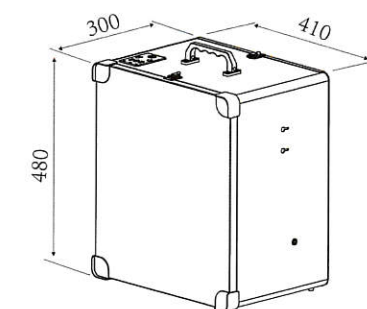
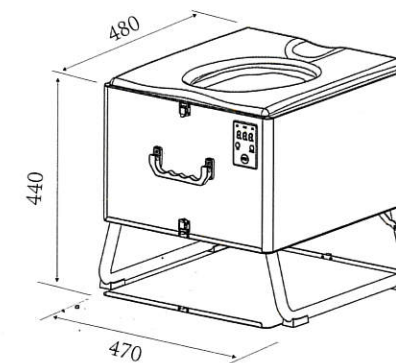
## ◆ Option Accessories

 Lithium Battery Kit	 Toilet Rail
--	--

# NAMES AND FUNCTIONS OF PARTS

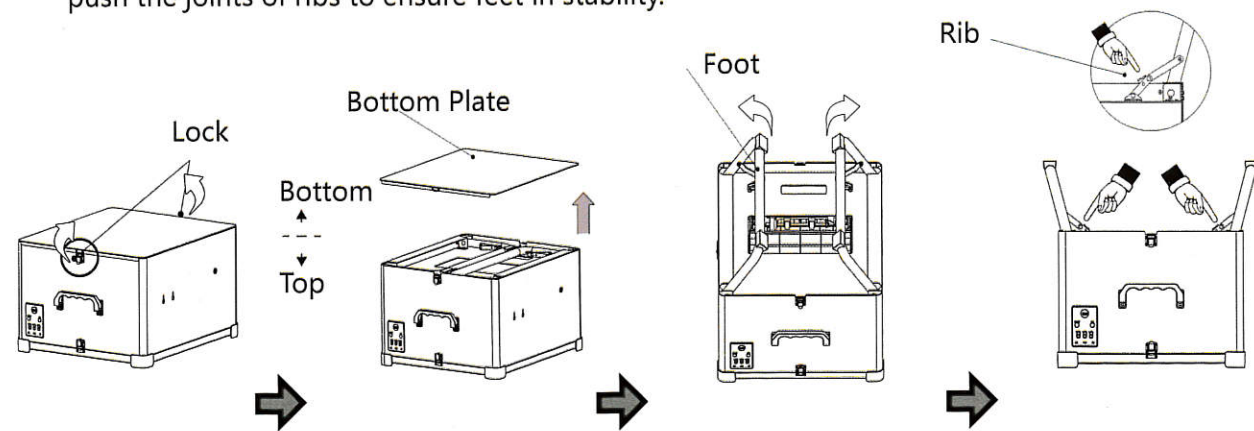


- Top Cover
- Seat Plate
- Baffle Plate
- Film Roll Installation Tool
- Film Roll
- Main Mechanism
- Lock
- Control Panel
- Handle
- Lock
- Bottom Plate
- Main Body
- DC Inlet
- Hole for Battery Socket
- Rib
- Foot
- Pad

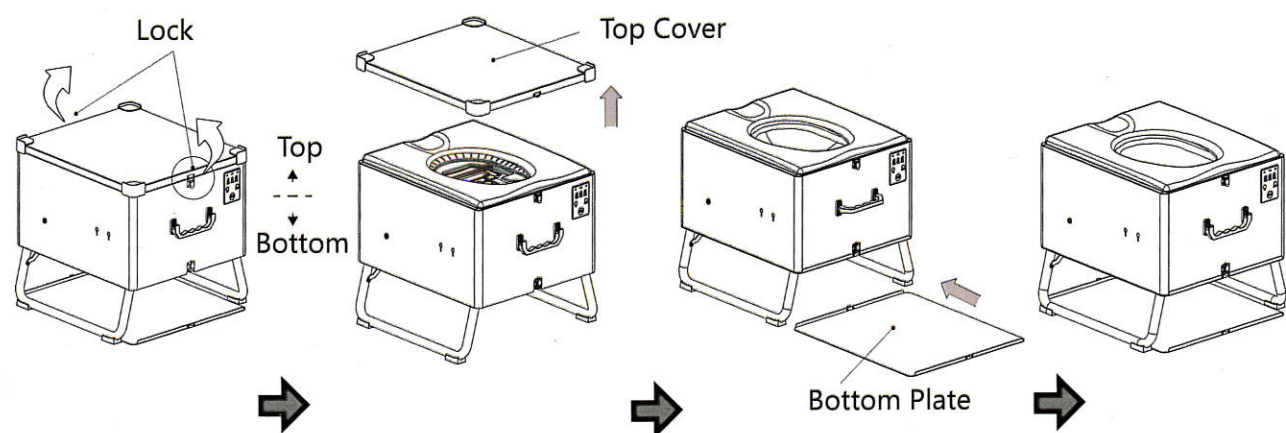


# INSTRUCTION

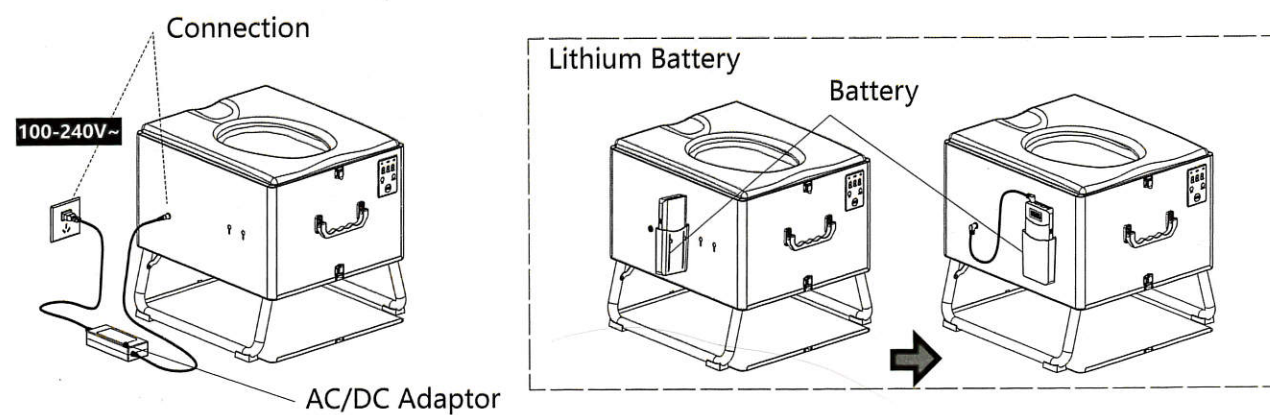
- 1** Open the locks on bottom plate, remove the bottom plate, pull out two feet, push the joints of ribs to ensure feet in stability.



- 2** Overturn the product, open and move the top cover, and put the bottom plate under the product.

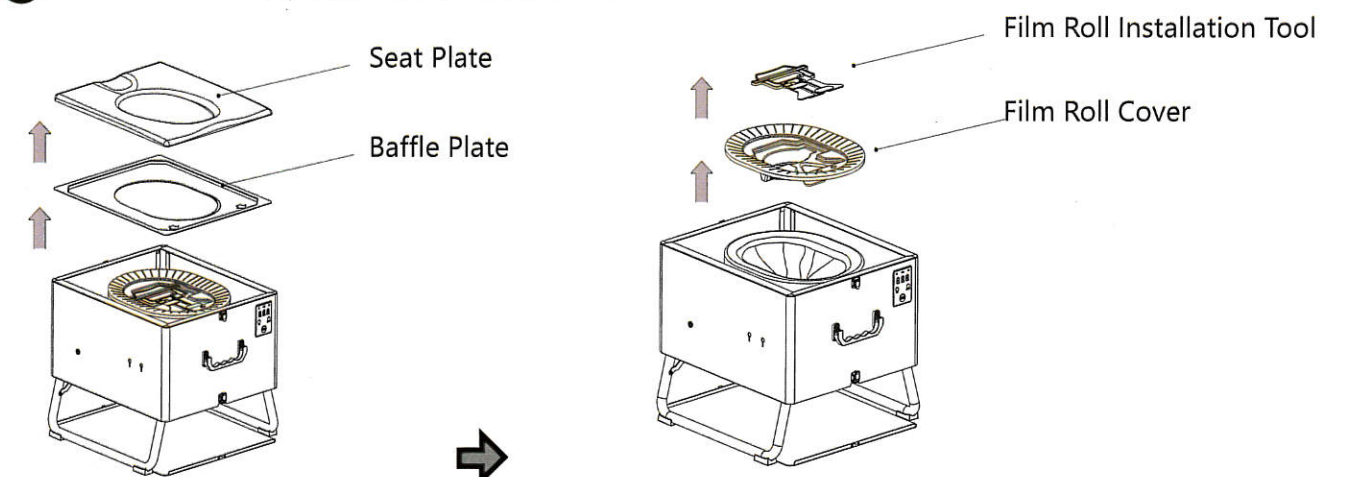


- 3** Connected with power supply.

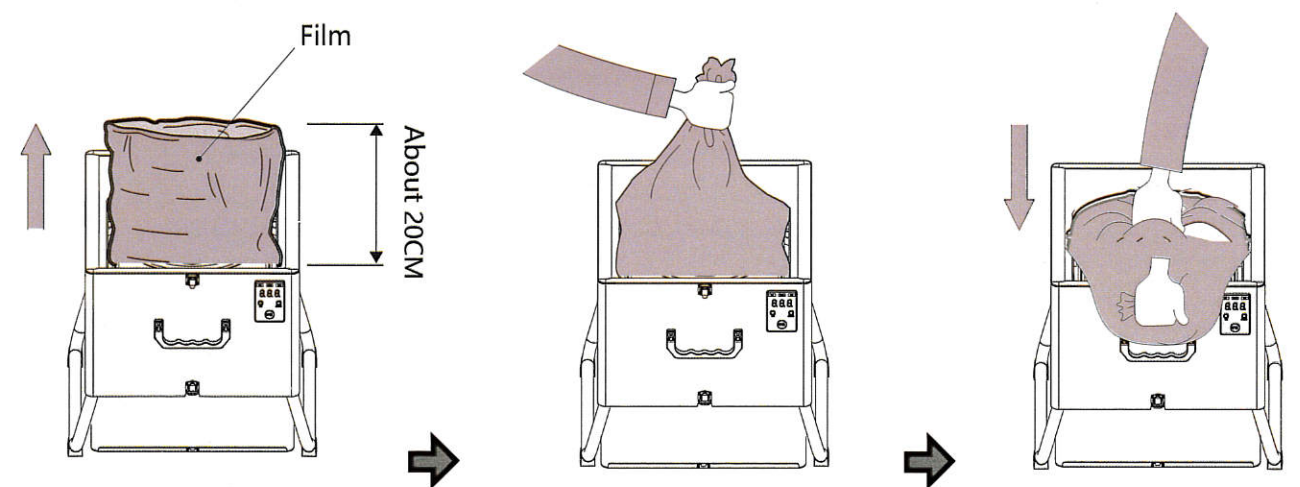


# INSTRUCTION

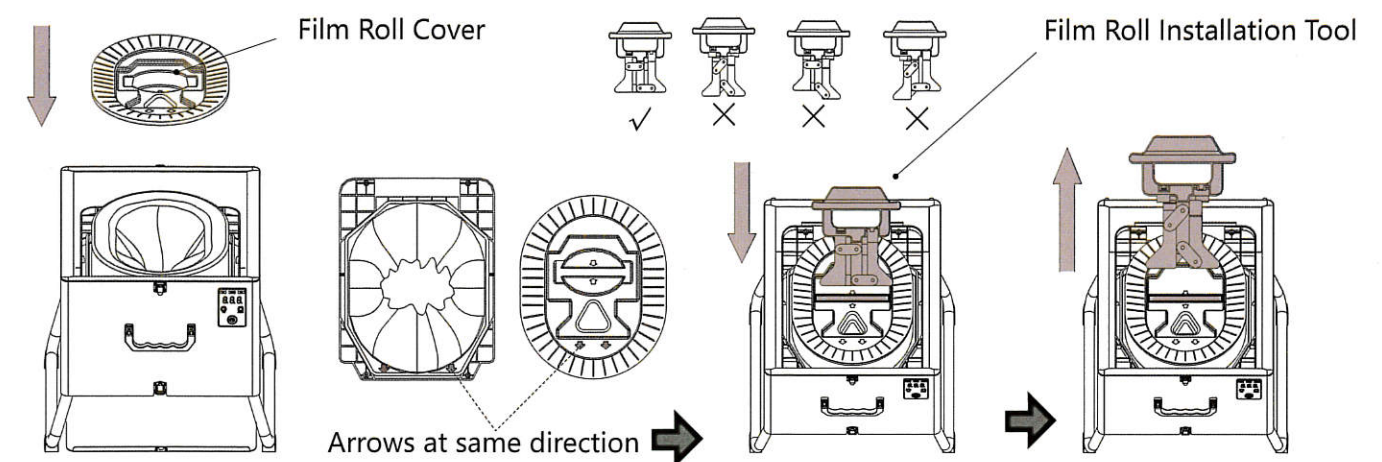
- 4** Take out the seat plate, baffle plate, tools for film roll installation.



- 5** Pinch the outer edge of film and pull up about 20cm, then push it into the main mechanism.

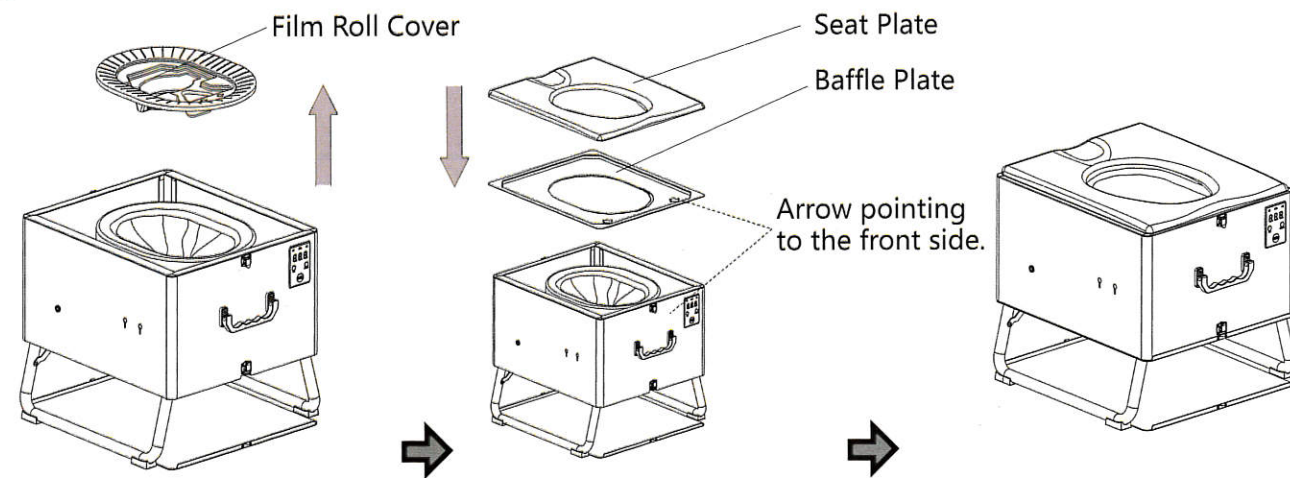


- 6** Place the Film Roll Cover as the direction of arrows. Push the film into Main mechanism with Film Roll Installation Tool, then pull out the tool.

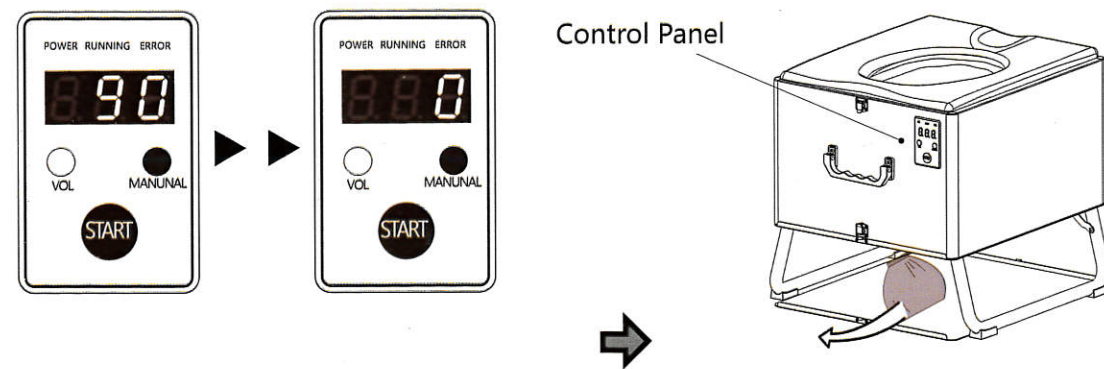


# INSTRUCTION

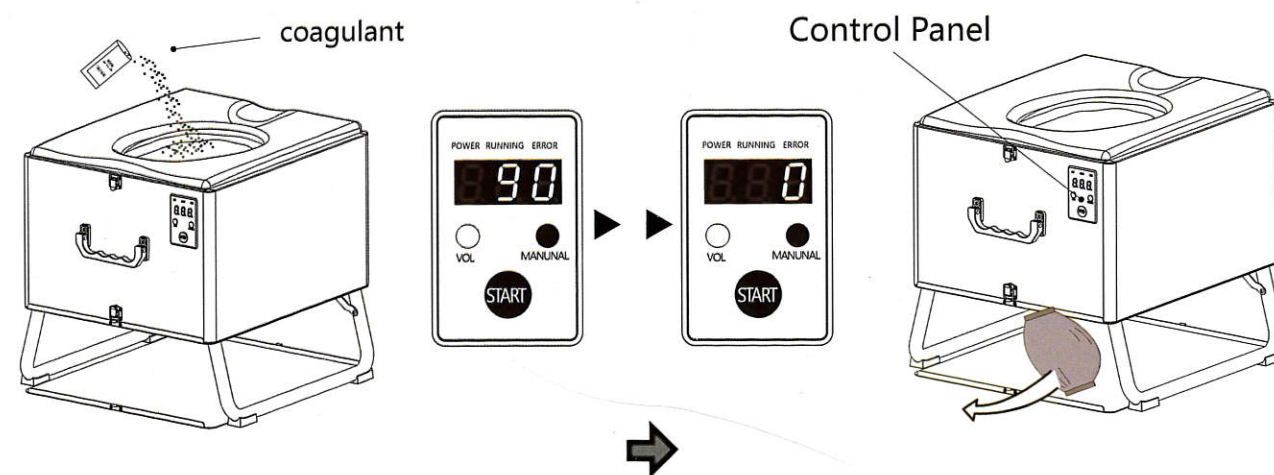
**7** Remove the Film Roll Cover, and place Seat Plate and Baffle Plate on the toilet.



**8** Press 'START' button on the panel and hold 2 seconds, the toilet starts wrapping and sealing automatically. Remove the waste bag when speaker announces "Completed, please remove the bag."

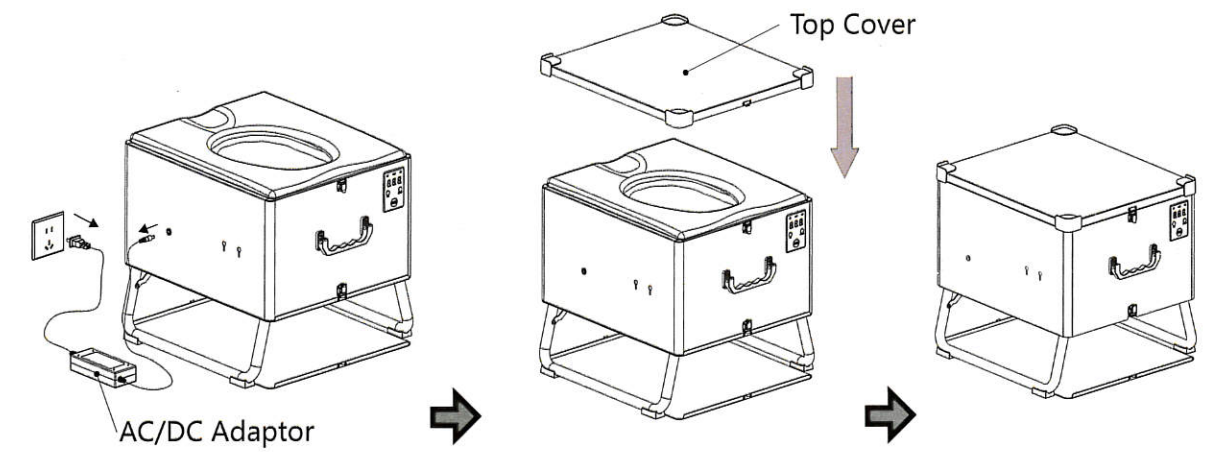


**9** Before use the toilet, add a small bag of coagulant into the film bowl. After excretion, leave from Seat Plate, then press and hold "START" 2 seconds on the panel. The toilet starts wrapping and sealing automatically. When the speaker announces "Completed, please remove the bag.", remove the bag on the ground.

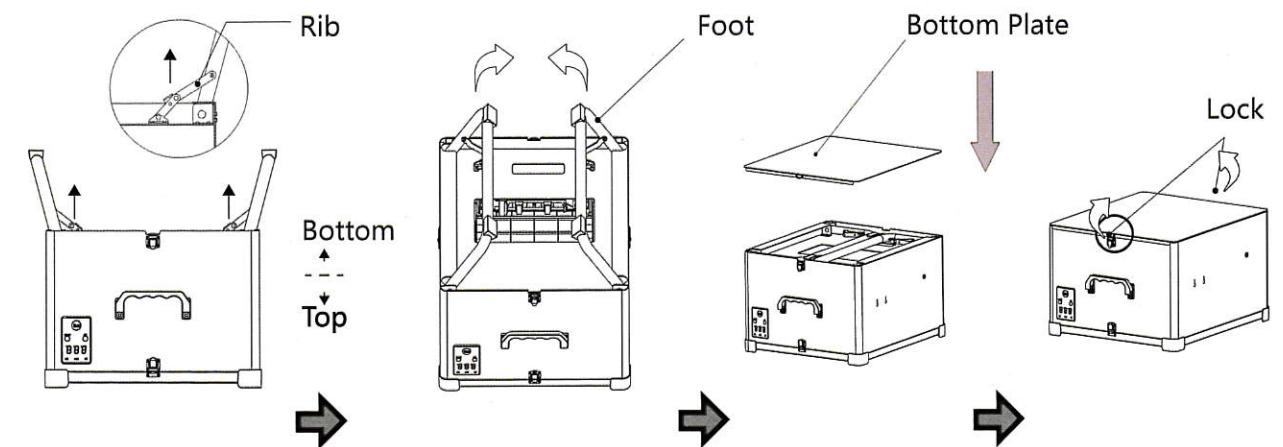


# INSTRUCTION

**10** Packaging product: disconnect power supply, cover and lock the Top Cover.



**11** Overturn the product, release the Ribs and fold the tow feet, cover and lock the Bottom Plate.

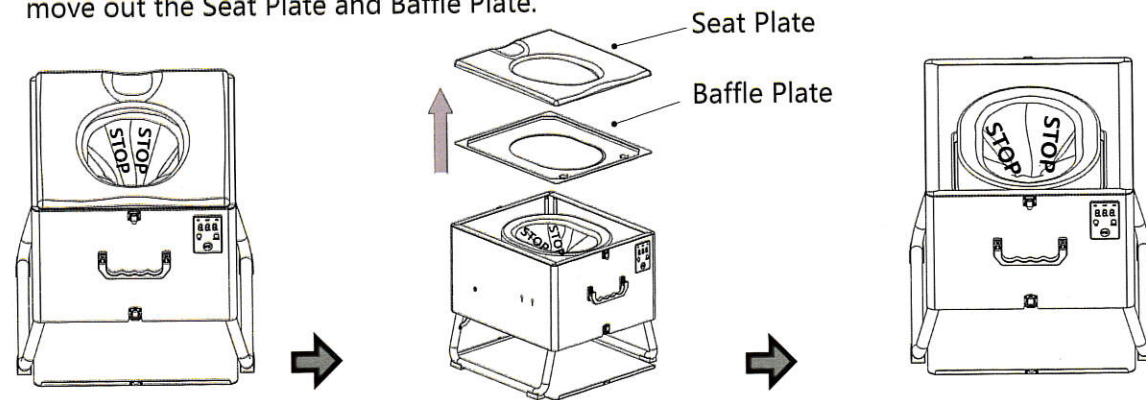


Step 4 - 8 is only for renewing a Film Roll.

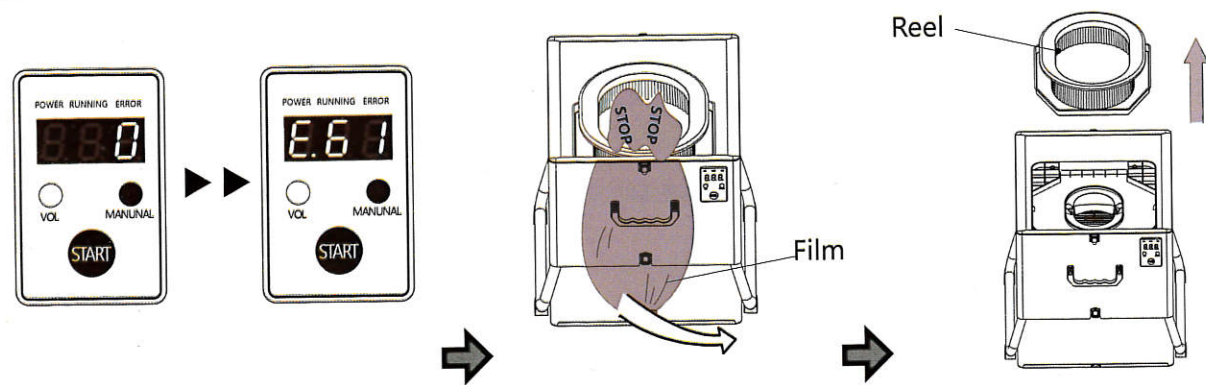
**4 5 6 7 8**

## Install a Film Roll

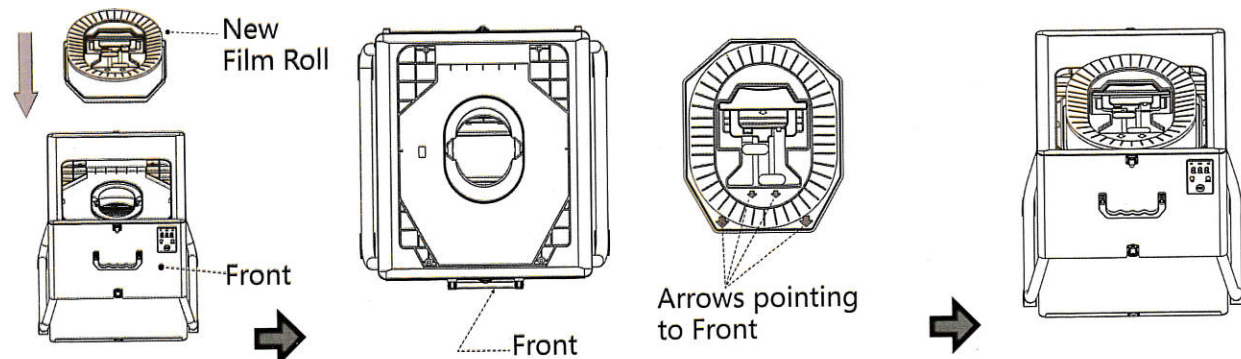
- 1** When appearing "STOP" on the film or announcing "Running out of film, please replace it", move out the Seat Plate and Baffle Plate.



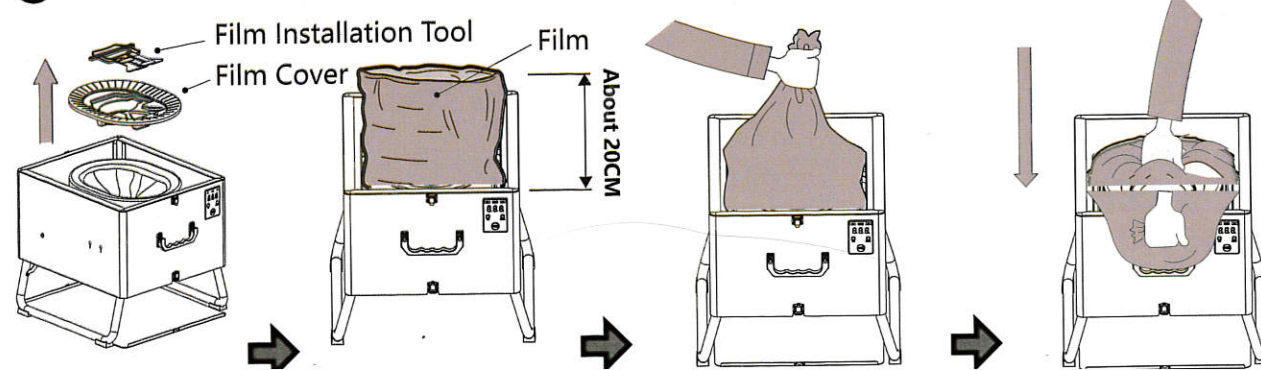
- 2** Press and hold "MANUAL" button till that all film running out. remove the film and plastic reel.



- 3** Place a new film roll on the main mechanism along the guide, and be sure the reflector on the film facing the detector in Main mechanism

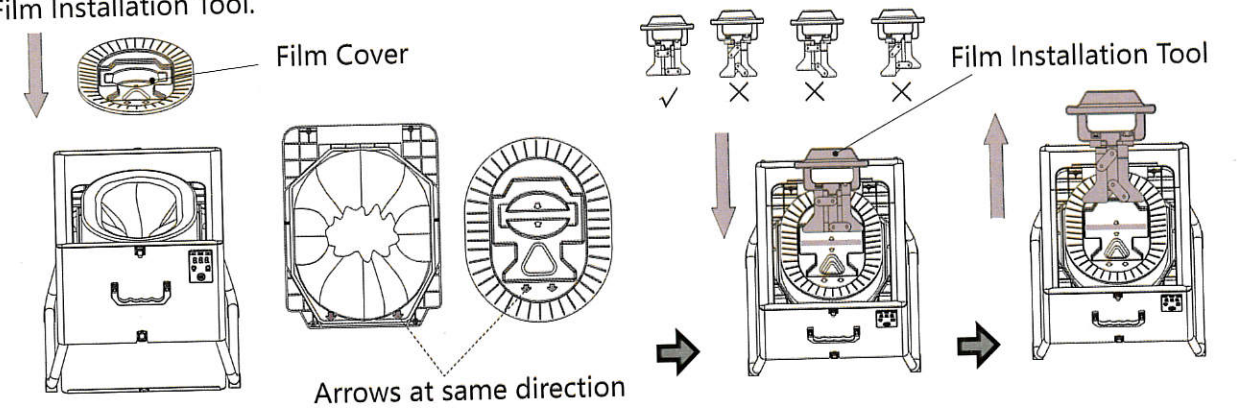


- 4** Move out Film Installation Tool and Film Cover, lift up the uppermost edge of film about 20cm.

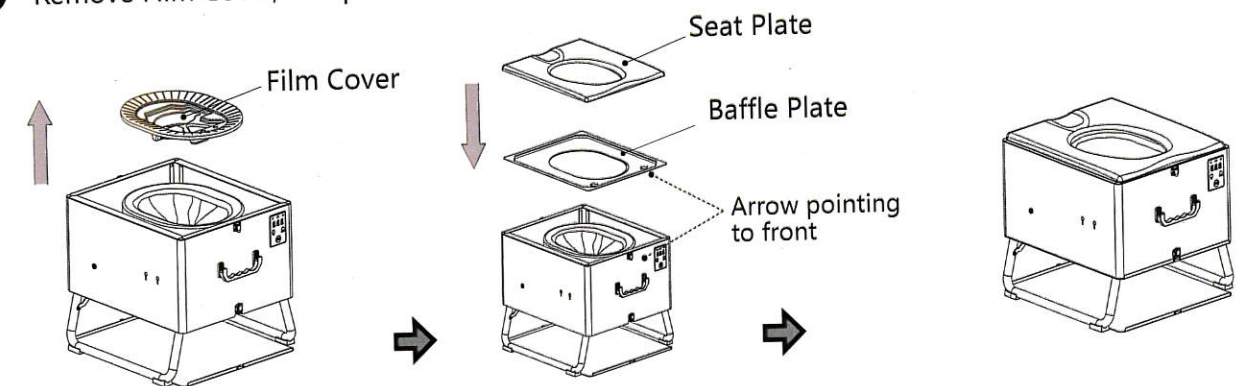


## Install a Film Roll

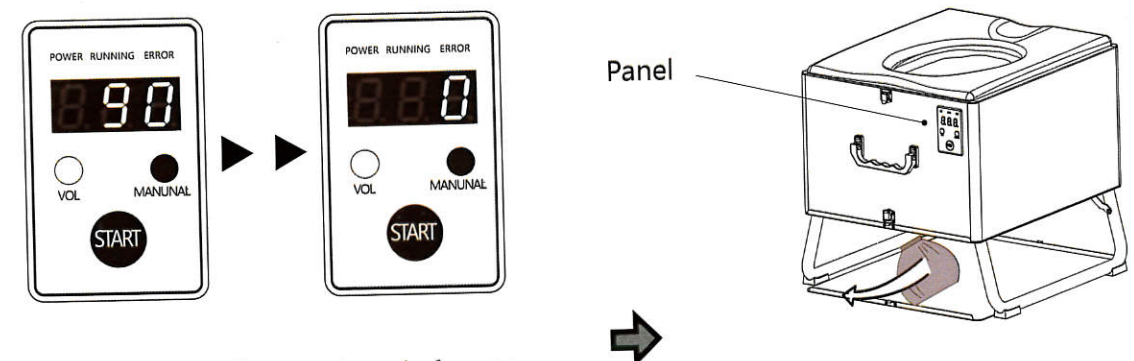
- 5** Place the film cover on the film roll and the Arrow points to front as Film Roll. Push down the Film Installation Tool through the gap in the Film Cover until no resistance. Pull up the Film Installation Tool.



- 6** Remove Film Cover, and place Baffle Plate and Seat Plate on the toilet.











- 7** Press "START" button on the panel and hold 2 seconds, the toilet starts wrapping and sealing automatically. Remove the waste bag when speaker announces "Completed, please remove the bag."



- 8** Film installation is done and ready for use.

## TROUBLE SHOOTING

Display	Code	Voice Prompts	Solution
	E.21	Error, please press MANUAL button on the remote	Press and hold "Manual" button until clean film, and press and hold "START" 2s to start a new operation. If the problem persisting, disconnect power supply and contact technical team.
	E.31		
	E.32	Error, please press MANUAL button on the remote	Unplug the power supply, re-plug after 1 minute. If the problem persisting, disconnect power supply and contact technical team.
	E.33	Error, please press MANUAL button on the remote	Unplug the power supply, re-plug after 1 minute. If the problem persisting, disconnect power supply and contact technical team.
	E.51	Thermal unit error, please contact customer service.	Unplug the power supply, re-plug after 1 minute. If the problem persisting, disconnect power supply and contact technical team.
	E.52		
	E.53	Thermal unit error, please contact customer service.	Unplug the power supply, re-plug after 1 minute. If the problem persisting, disconnect power supply and contact technical team.
	E.61	Running out of film, please replace it	<p>1,Running out of film, please install a new film roll.</p> <p>2, Misaligning film roll, detector cannot detect the reflector. Re-align the film roll along the protrusion guide</p> <p>3, Problem persisting, check if the reflector under Film Roll is missing or not at proper position.</p>

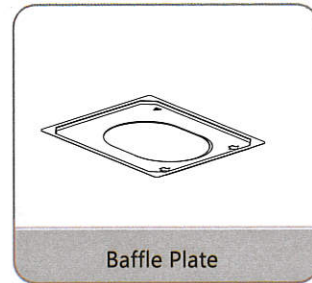
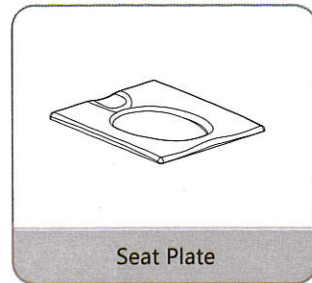
## TROUBLE SHOOTING

Problem	Cause	Solution
Power Off (Light Off)	AC/DC Adaptor	Check power is switched on and re-plug connectors.
	Lithium Battery	Check the power bank is provided by us Re-plug DC cord into battery and toilet.
		Check the battery is switched on, "NB" displays on screen.
	Problem persisting	Check the power level of battery. Charge it if at 0% level. Contact technical team.
Unstable	Floor is flat or not	Move the toilet to a horizontal flat floor.
Broken film		Replace the film roll to avoid leakage.
Power off during operating		The toilet will continue operation when power on.
No cut off film	Check if something blocking cutter	Press and hold "START" 2s until the operation is completed.
Smoking or abnormal noise		Disconnect power supply, and contact technical team.
Eating coagulant		Call your doctor as soon as possible.
Accessories or Consumables		Contact the dealers.

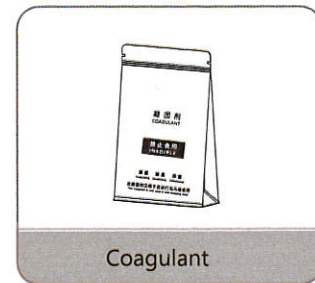
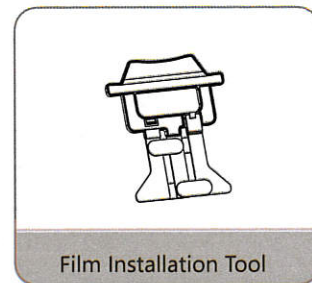
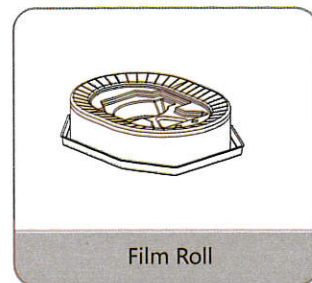
## MAINTENANCE

- Please disconnect toilet from power supply if you will not use in short term.
- Please remove the bags on Bottom Plate timely.
- Please reinstall the Film Roll before use it
- Seat Plate and Baffle Plate can be taken away from the toilet for washing.
- Please use neutral detergent to clean Seat Plate and Baffle Plate
- If you encounter problems while operating this toilet, disconnect the power supply, and contact our technical team.

### Washable Parts



### Consumable



## SPECIFICATION

Model	PT-810	PT-820	PT-830
Color	Black	Green	Grey
Dim.(Expand)	L48×W47×H44CM	L48×W47×H44CM	L48×W47×H44CM
Dim.(Fold)	L48×W41×H30CM	L48×W41×H30CM	L48×W41×H30CM
Dim. Seat	38×45CM	38×45CM	38×45CM
Width Seat	38CM	38CM	38CM
Max. Load Capacity	200KG	200KG	200KG
Height Seat	44CM	44CM	44CM
Rated Power	70W/(≤1W stand by)	70W/(≤1W stand by)	70W/(≤1W stand by)
Voltage	100-240V~ 50/60Hz	100-240V~ 50/60Hz	100-240V~ 50/60Hz
Dim. Carton	48.5×38.5×59.5CM	48.5×38.5×59.5CM	48.5×38.5×59.5CM
Net Weight	12.0KG	12.0KG	12.0KG
Gross Weight	15.8KG	15.8KG	15.8KG
Main Materials	Alloy, Stainless Steel, Plastic		
Operation	0°C - 40°C 20% - 80%RH		
Storage	-20°C - 60°C 5% - 95% RH		



# Sealing Everything!!

