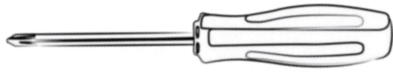


XE-30GTC MOUNTING INSTRUCTIONS

SUGGESTED TOOLS:

Phillips Screwdriver



Adjustable Wrench



REFERENCED HARDWARE

2
200-0064
1/4-20 x 1/2
TRUSS HD
PHILIPS SCREW

2
200-0087
PRESSURE
WASHER LOCK 1/4"

2
200-0092
1/4 X 1/8 X 5/8
FLAT WASHER
SPACER

2
200-0267
SCREW
10-32 x 1/4
SS- PHILIPS

2 / 200-0219
BOLT
1/4 x 20 x 1/2

1
210-0269
POWER CORD
STRAIN RELIEF

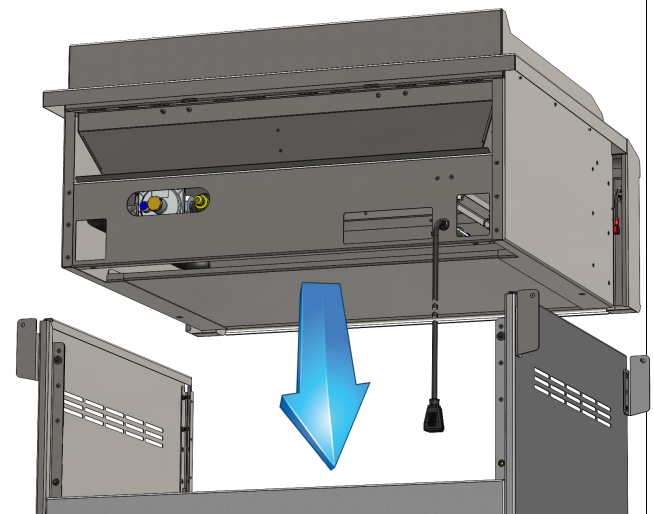
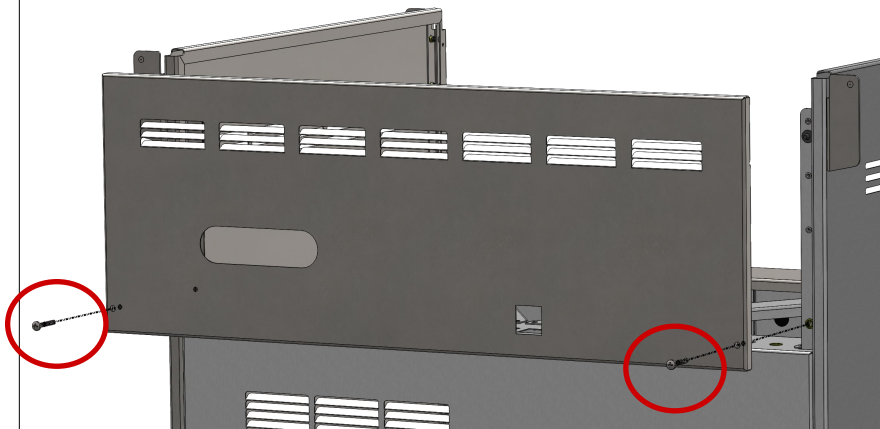


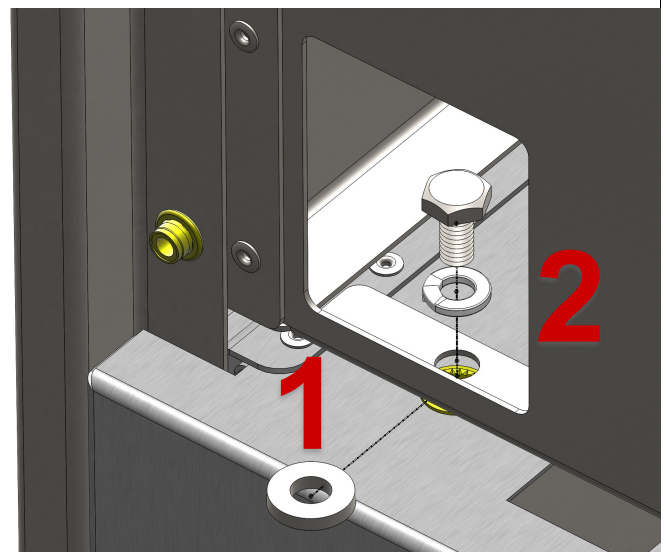
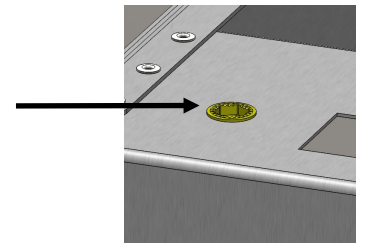
Figure 1

SECURING THE GRIDDLE:

1. First remove the Truss HD Philips Screw as indicated above.
2. Lock cart wheels from moving
3. With a partner, Place the Griddle on top of the Cart on the mounting hole locations as shown in figure 1.
4. Secure Griddle to cart by following the steps listed below:

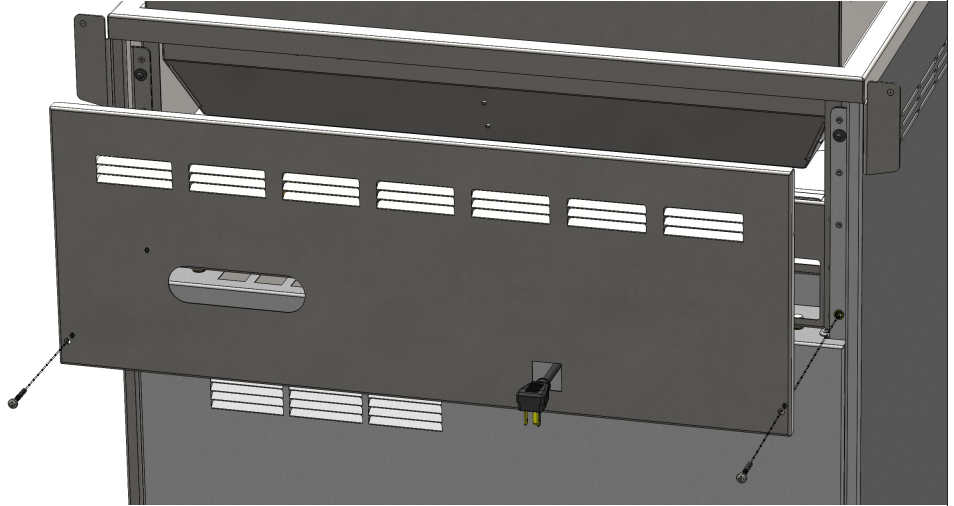
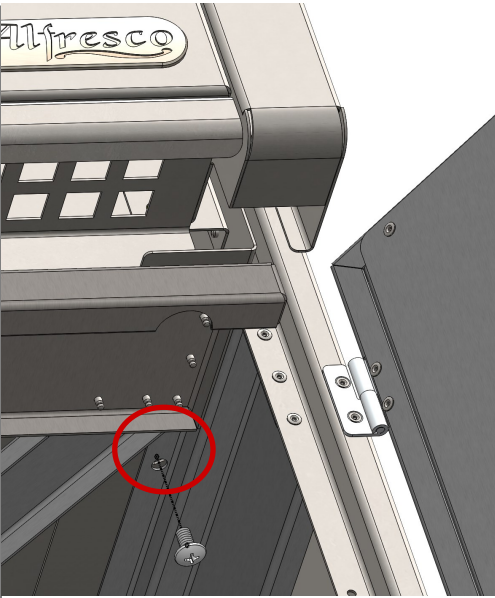
- 1) Insert the Washer Space between the griddle bottom face and hex rivnut.
- 2) First through the Griddle rear panel cutouts, hand-tighten the Bolt (200-0219) with Pressure Washer lock as indicated in the bottom right image.
- 3) Repeat on opposite side of cart.
- 4) Once secure, tighten bolts further with adjustable wrench if needed.
- 5) Continue on next page.

Hex Rivnut

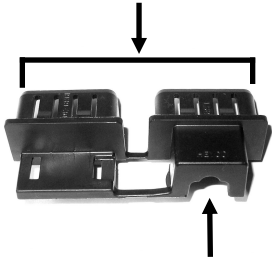


INSTRUCTIONS:

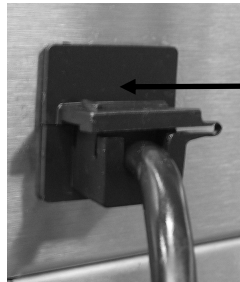
- 1) Remove Griddle tray for easier access.
- 2) Insert SS-Phillips screw using the screwdriver shown in the image to the left.
- 3) Repeat process on opposite side of cart.
- 4) Feed the Power Cable through the rear panel cutout and secure the rear panel on the back of the unit with the SS-Phillips Screw as shown below.



This end faces top rear panel cutout

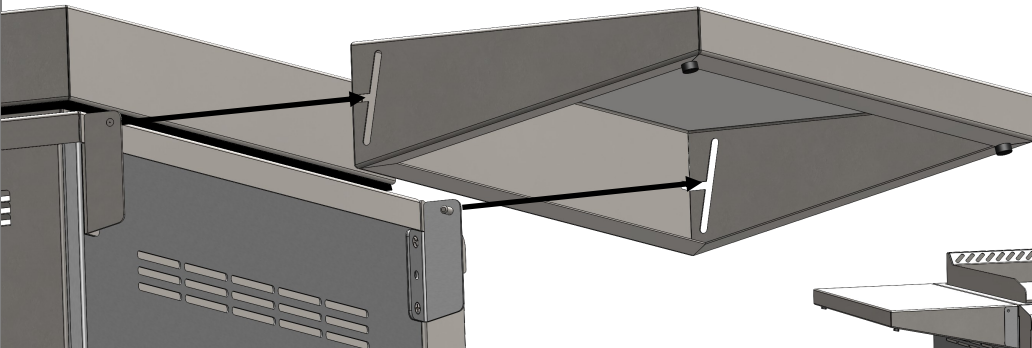


Power cord inside here



Installed Power Cord Strain Relief 210-0269

To install the Power Cord Strain Relief fold strain relief around the power cord, then press the two sides with the adjustable wrench until it clicks around the power cord. Push the strain relief into the rear panel square cutout until it snaps into place as shown to the left.



On both sides, mount the side shelves on the pins using the slots as directed to the left.



Enjoy Your New Griddle!