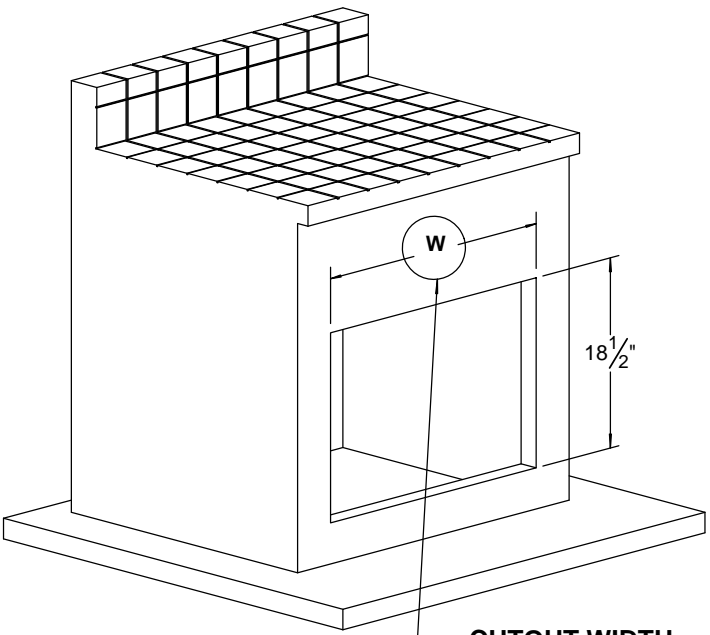


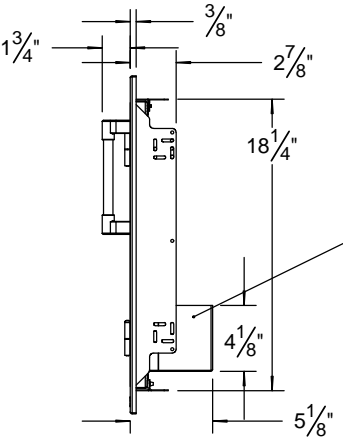
AXE-DOOR Rev 1 UNIT

AXE-ACCESS DOOR Rev 1 - TYPICAL INSTALLATION

COUNTER FRONT CUTOUT REQUIREMENTS



PROFILE (ALL DOORS)



CUTOUT WIDTH DIMENSION (W):

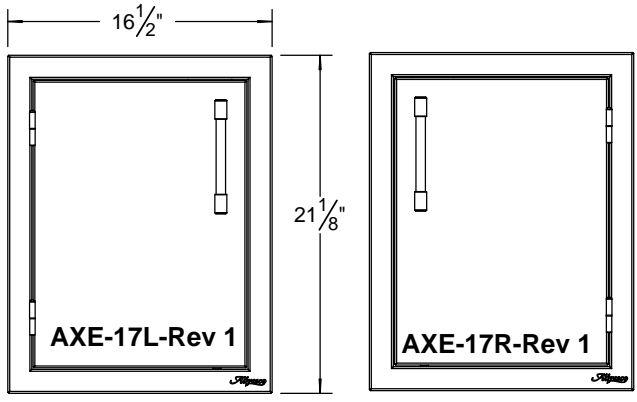
- AXE-17-Rev 1 L & R = 13-7/8"
- AXE-23-Rev 1 L & R = 19-7/8"
- AXE-30-Rev 1 = 27-1/4"
- AXE-36-Rev 1 = 33-1/4"
- AXE-42-Rev 1 = 39-1/4"

DOOR ACCESSORY BOX (sold separately)

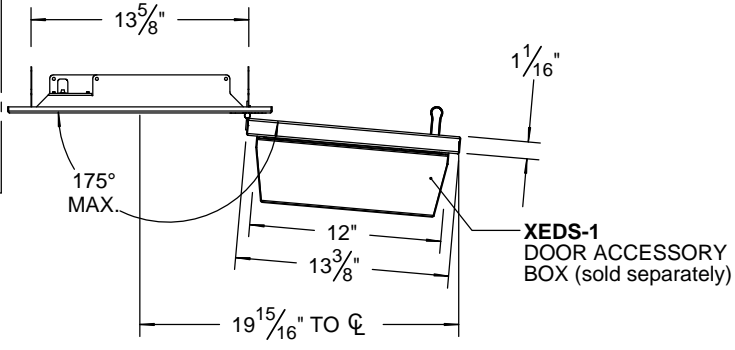
PART NUMBER AS FOLLOWS:

- 17" Doors - XEDS-1 (1) EA
- 23" Doors - XEDS-2 (1) EA
- 30" Doors - XEDS-1 (2) EA
- 36" Doors - XEDS-3 (2) EA
- 42" Doors - XEDS-2 (2) EA

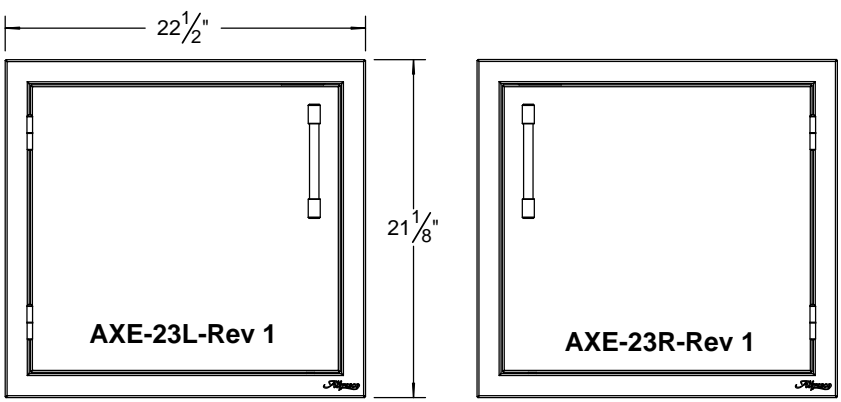
FRONT VIEW SINGLE NARROW DOORS



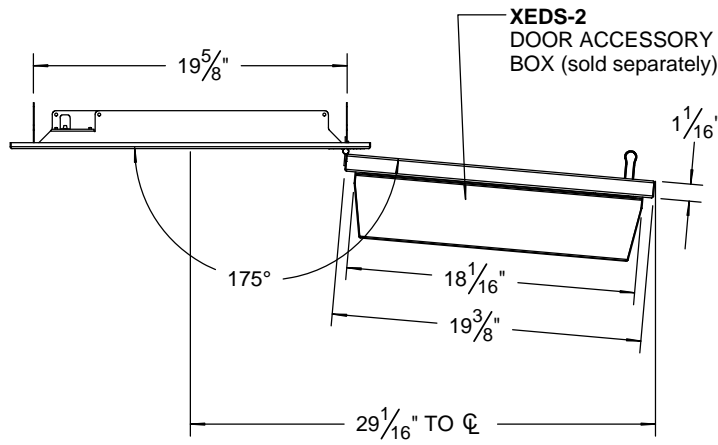
TOP VIEW: DIMENSIONS APPLY TO AXE-DOORS Rev 1 -17 L & R MODELS



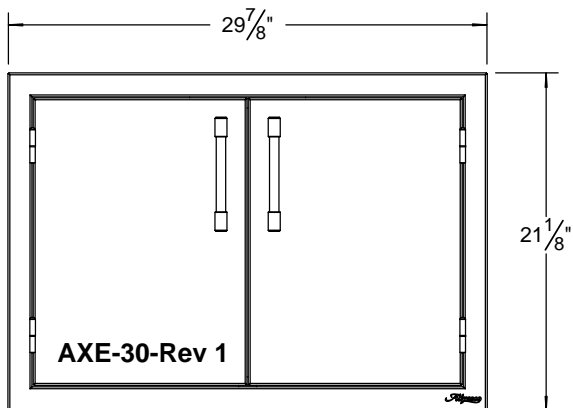
FRONT VIEW SINGLE WIDE DOORS



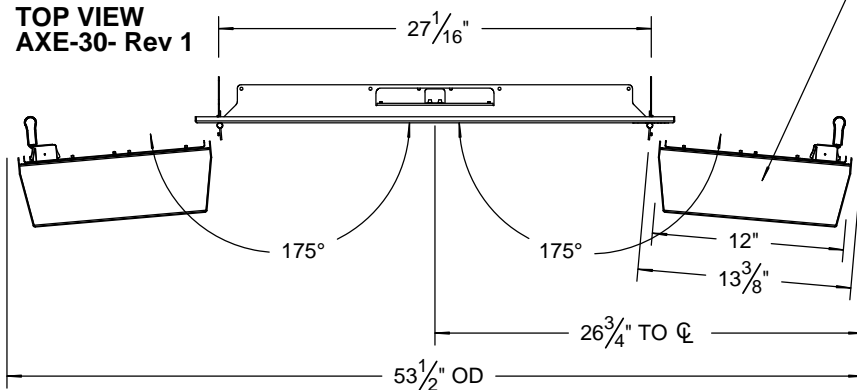
TOP VIEW: DIMENSIONS APPLY TO AXE-23-Rev 1 - L & R MODELS



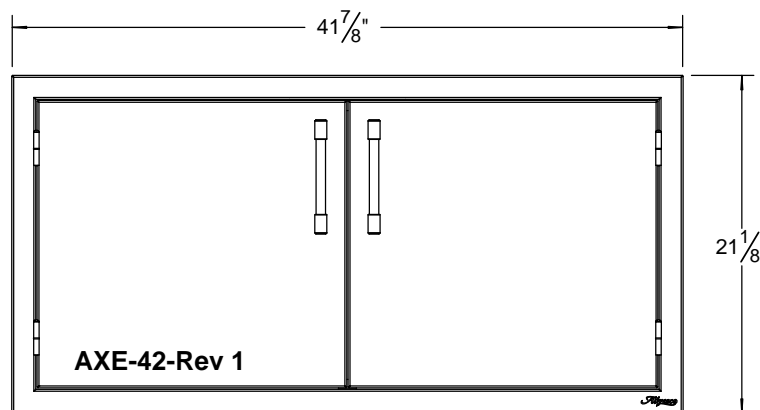
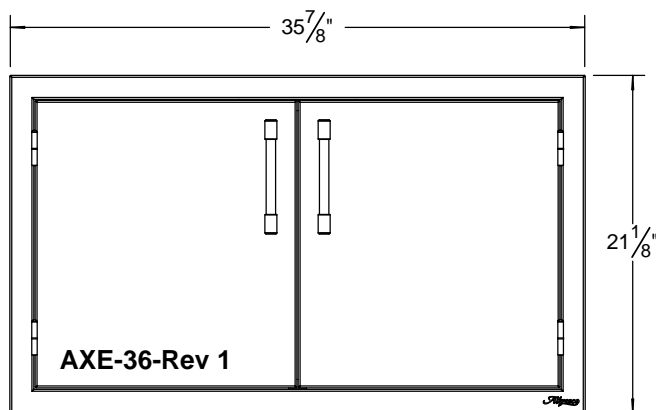
FRONT VIEW DOUBLE SIDED NARROW DOORS



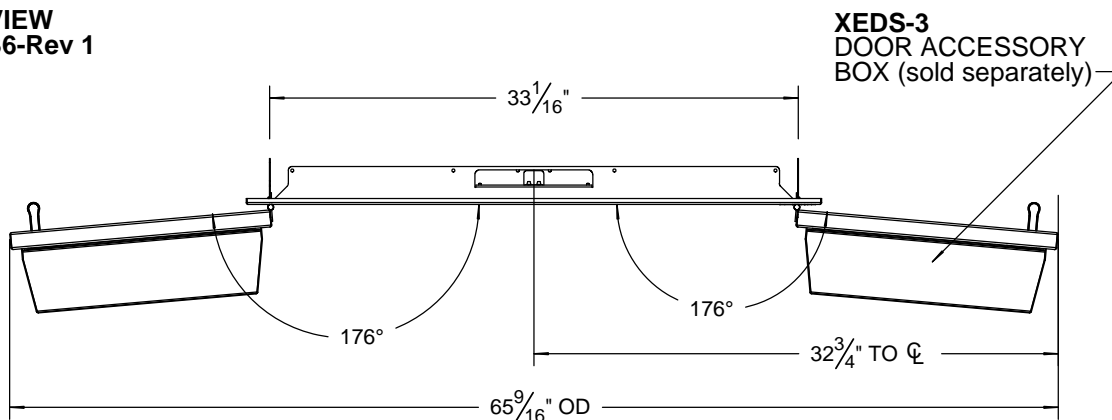
**TOP VIEW
AXE-30- Rev 1**



FRONT VIEW DOUBLE SIDED WIDE DOORS



**TOP VIEW
AXE-36-Rev 1**



**TOP VIEW
AXE-42-Rev 1**

