





Artisan

- THE WIND SHIELD IS USED FOR BOTH, BUILT-IN MODEL'S AND CART-MODEL'S
- THE WIND SHIELD CAN ALSO BE USED WITH THE AAEP MODEL GRILLS

INCLUDED KIT HARDWARE FOR INSTALLATION:

ITEM	DESCRIPTION:	PART #	QTY:	PIC
D	SCREW 1/4-20 x 1/2" TRUSS HEAD SCREW	200-0057	10	
E	LOCK WASHER 1/4"	200-0087	4	
F	1/4-20 HEX NUT	200-0090	4	
G	FRONT HOOD SUPPORT BUMPER	200-0469	2	

REQUIRED TOOLS FOR INSTALLATION:

2 PHILIPS SCREW DRIVER



7/16" WRENCH



INSTRUCTIONS:

1. REMOVE THE ROTISSERIE MOTOR AND BRACKETS FROM YOUR BBQ GRILL BY LOOSENING THE 1/4" HEX NUTS FROM EACH SIDE OF THE GRILL. **SEE FIG. 2**
2. INSERT THE FRONT HOOD SUPPORT BUMPERS (ITEM G) OVER THE LT & RT SHIELD BRACKETS THROUGH THE PROVIDED HOLES. **SEE FIG. 4**
3. INSTALL THE LT&RT SHIELD BRACKETS (ITEMS: B&C) AGAINST THE REAR HOOD OF THE GRILL AND OVER THE EXISTING HOLES USED TO ATTACHED THE ROTISSERIE MOTOR. RE-ATTACH THE ROTISSERIE MOTOR AND BRACKETS USING THE 1/4" HEX NUT AND LOCK WASHER (ITEMS F&E). **SEE FIG.2**
4. THE WIND SHIELD (ITEM A) WILL BE MOUNTED OVER THE TOP RING PERIMETER OF THE BBQ GRILL OR IF IT'S USING AN INSULATED JACKET, OVER THE TOP SURFACE OF THE INSULATED JACKET. SECURE WIND SHIELD IN PLACE WITH SUITABLE FASTENERS (ITEM D) THROUGH THE PROVIDED HOLES. **SEE FIG. 3**

ARTP-WS INSTALLATION

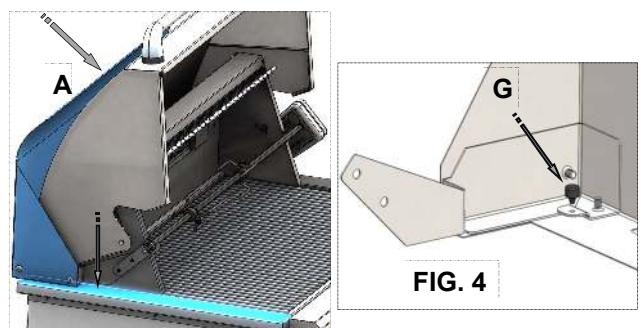
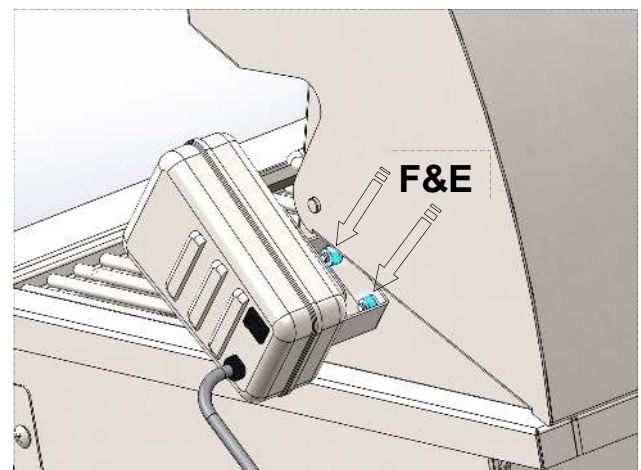
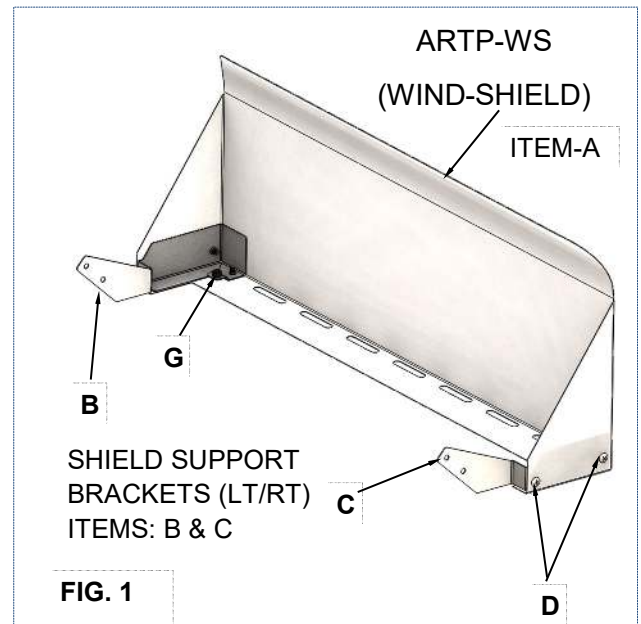


FIG. 3