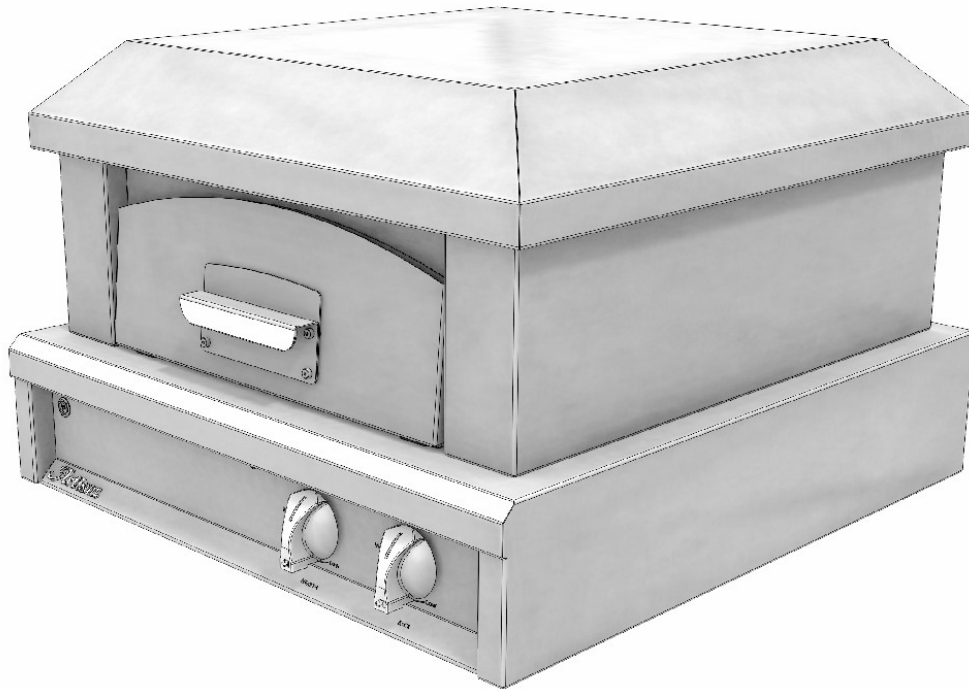


Artisan

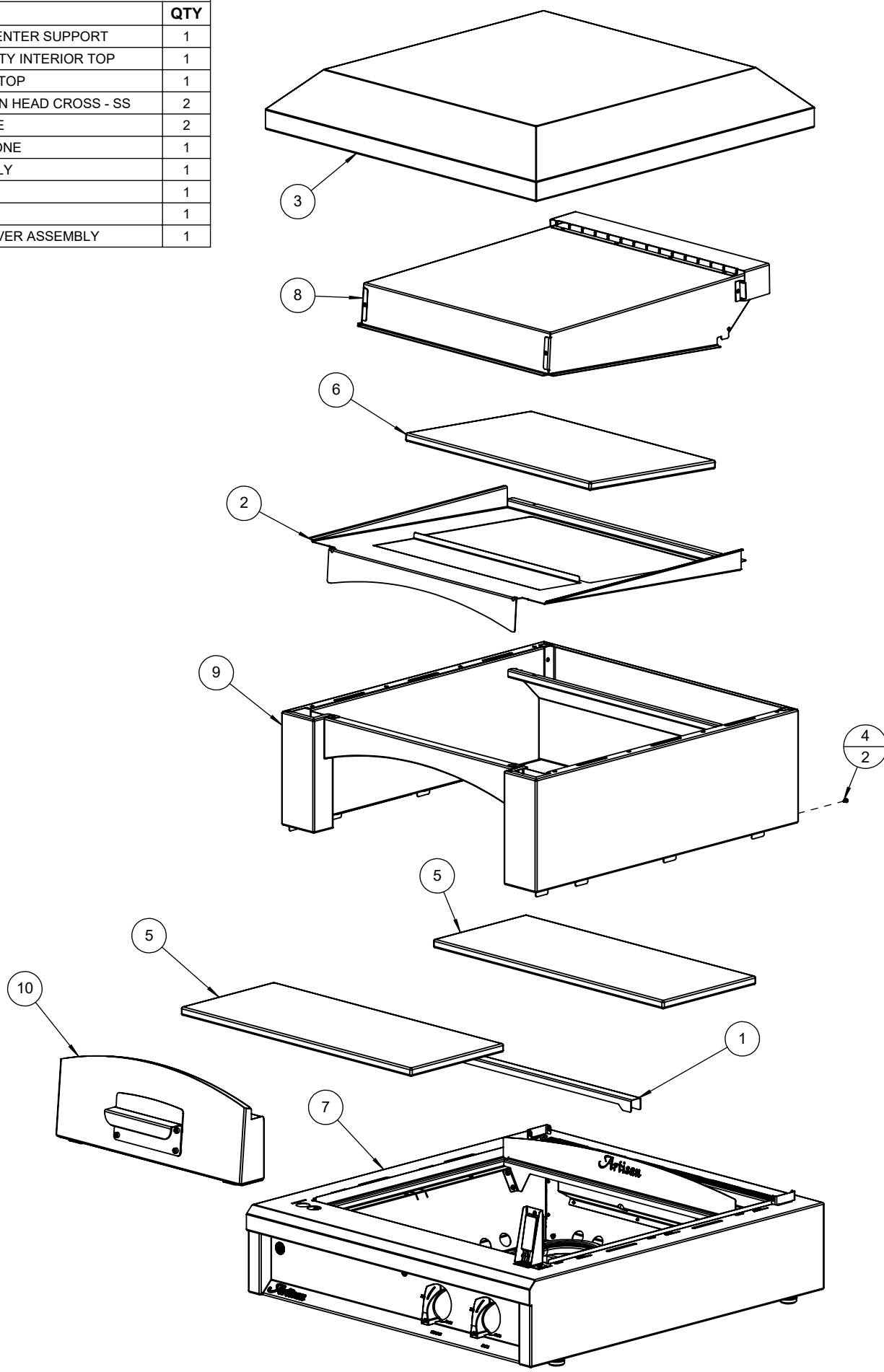


ARTP-PZA

COUNTER MOUNT PIZZA OVEN UNIT

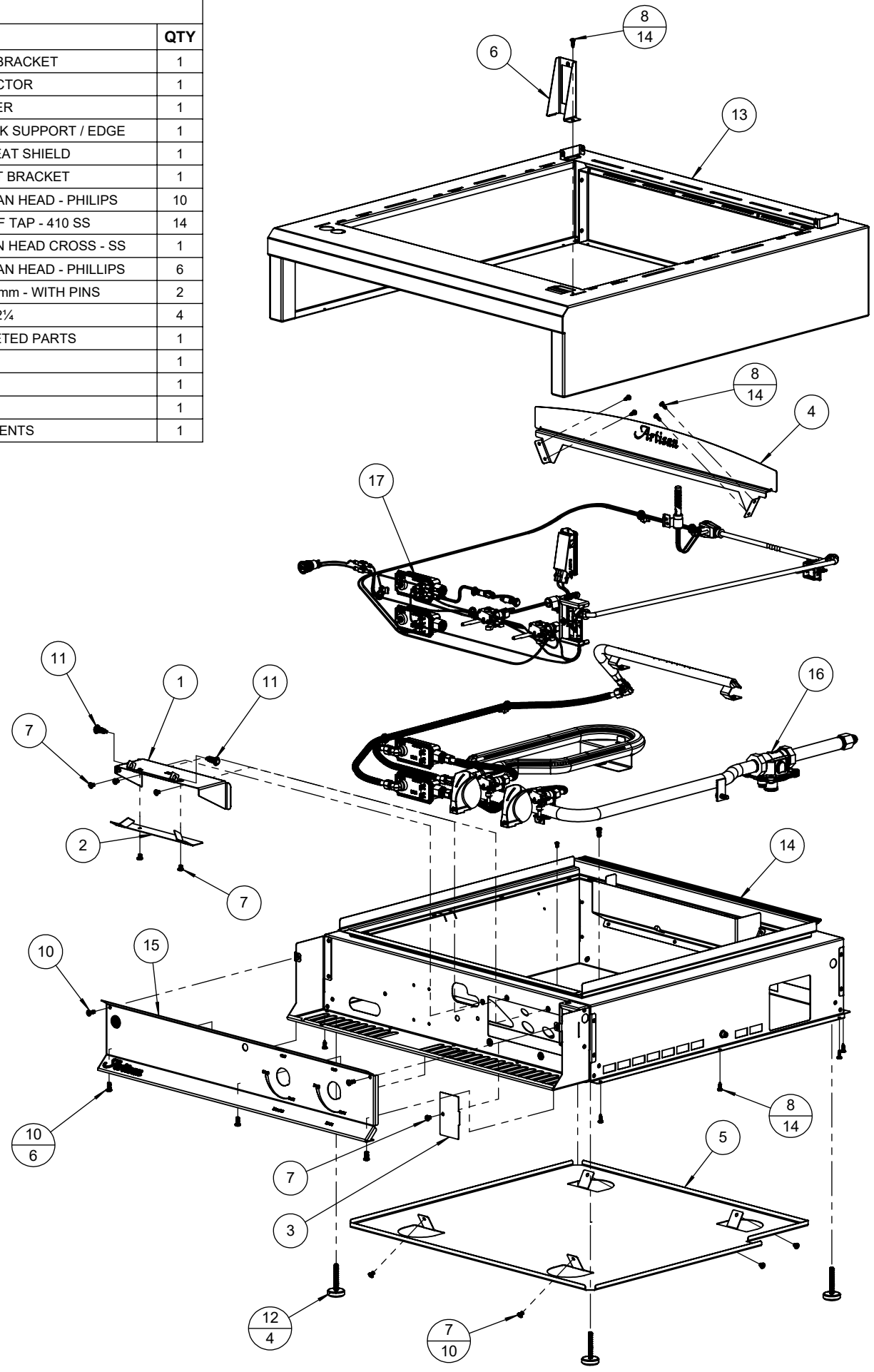
BILL OF MATERIAL

NO.	PART #	DESCRIPTION	QTY
1	100-3127	ARTP-PZA STONES CENTER SUPPORT	1
2	100-3137	ARTP-PZA OVEN CAVITY INTERIOR TOP	1
3	100-3140	ARTP-PZA EXTERIOR TOP	1
4	200-0199	SCREW 6-32 x 1/4 - PAN HEAD CROSS - SS	2
5	290-0366	BOTTOM PIZZA STONE	2
6	290-0367	TOP REFRACTIVE STONE	1
7	510-1260	BASE - MAIN ASSEMBLY	1
8	510-1266	OVEN EXHAUST	1
9	510-1267	OVEN CAVITY	1
10	510-1271	ARTP-PZA FRONT COVER ASSEMBLY	1



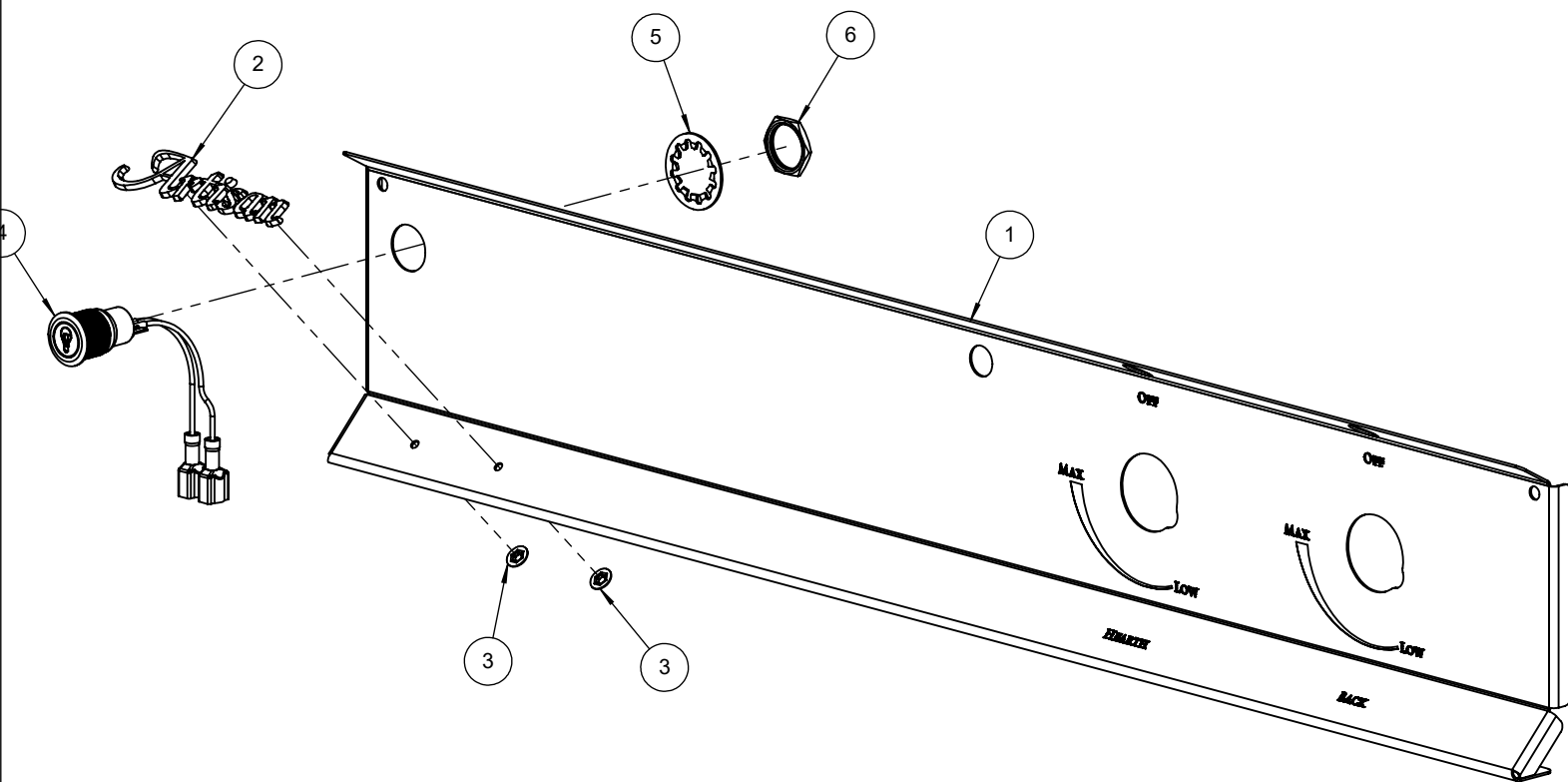
BILL OF MATERIAL

NO.	PART #	DESCRIPTION	QTY
1	100-3116	ARTP-PZA LED LIGHT BRACKET	1
2	100-3117	ARTP-PZA LED REFLECTOR	1
3	100-3119	ARTP-PZA J-BOX COVER	1
4	100-3122	ARTP-PZA STONE BACK SUPPORT / EDGE	1
5	100-3125	ARTP-PZA BOTTOM HEAT SHIELD	1
6	100-3126	ARTP-PZA OVEN LIGHT BRACKET	1
7	200-0082	SCREW 10-32 X 1/4 - PAN HEAD - PHILIPS	10
8	200-0111	SCREW 8-18 X 1/2 - SELF TAP - 410 SS	14
9	200-0199	SCREW 6-32 x 1/4 - PAN HEAD CROSS - SS	1
10	200-0267	SCREW 10-32 X 1/2 - PAN HEAD - PHILLIPS	6
11	210-0662	BLUE LED LIGHT - Ø 8 mm - WITH PINS	2
12	290-0362	LEVEL MOUNT 1/4-20 x 2 1/4	4
13	510-1261	BASE - OUTSIDE RIVETED PARTS	1
14	510-1262	BASE - INSIDE FRAME	1
15	510-1263	CONTROL PANEL	1
16	510-1264	MANIFOLD ASSEMBLY	1
17	510-1269	ELECTRICAL COMPONENTS	1



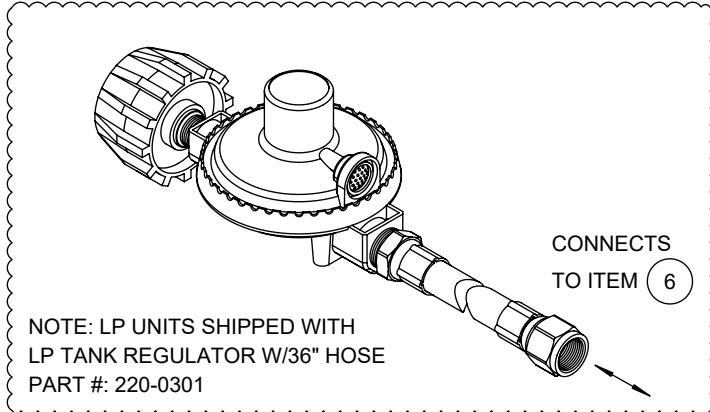
BILL OF MATERIAL

NO.	PART #	DESCRIPTION	QTY
1	100-3113	ARTP-PZA FRONT PANEL	1
2	290-0356	ARTISAN LOGO	1
3	200-0093	WASHER - PUSH LOCK 1/8" ID X 3/8" OD (LOGO)	2
4	210-0584	SWITCH - LIGHT - LATCHING [ON/OFF]	1
5	210-0581	WASHER - LOCK - Ø 19 mm - INTERNAL TEETH	1
6	210-0582	NUT - Ø 19 mm X 1	1

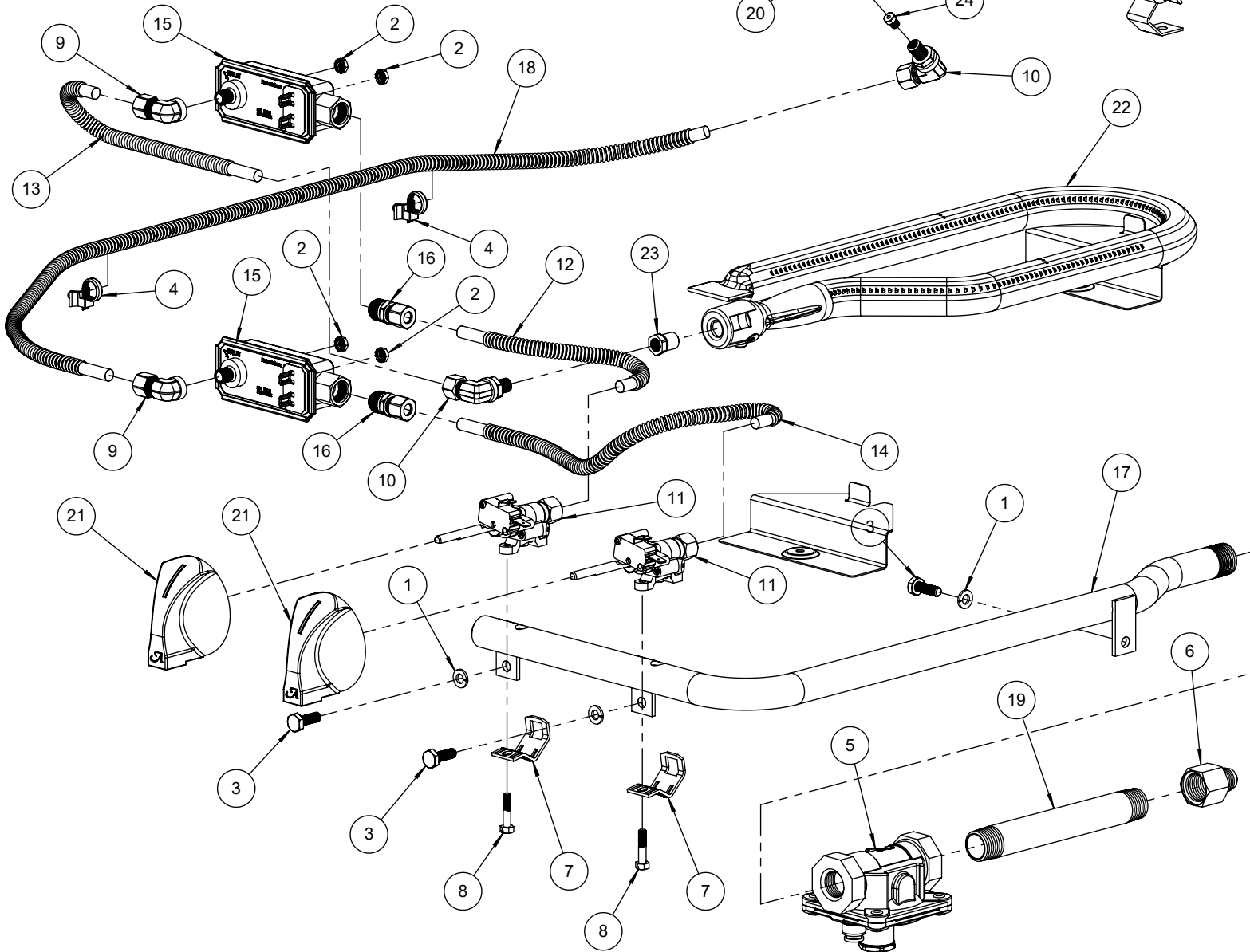


BILL OF MATERIAL

NO.	PART #	DESCRIPTION	QTY
1	200-0087	WASHER, 1/4" - SPRING LOCK - SS	3
2	200-0206	8-32 KEP NUT 18-8 STAINLESS	4
3	200-0242	BOLT 1/4-20 UNC x 3/4 - HEX HEAD - SS	3
4	210-0258	CABLE TIE - T&B L-5-50PM-9	2
5	220-0280	REGULATOR GAS - MAXITROL RV48CL440002	1
6	220-0403	NIPPLE 3/8" OD FL x 1/2" FPT (FOR LP HOOK-UP)	1
7	220-0458	BRACKET - GAS VALVE SADDLE MOUNT	2
8	220-0459	SCREW M5 x 26 - POZI•COMB•HEX HEAD- 11.5 PT	2
9	220-0474	ELBOW 90° - Ø 5/16" COMPRESSION X 3/8-27 UNS-2B	2
10	220-0474	ELBOW 1/8-27 UNS x 5/16" COMP	2
11	220-0477	GAS VALVE - SINGLE PORT 5/16" Ø COMP W/ SWITCH	2
12	220-0478	GAS LINE - 5/16" Ø 8" L - SS - FLEX	1
13	220-0478	GAS LINE - 5/16" Ø 8" L - SS - FLEX	1
14	220-0480	GAS LINE - 5/16" Ø X 13" L - SS - FLEX	1
15	220-0483	SAFETY GAS VALVE	2
16	220-0485	REDUCER 9/16-24 UNEF x 5/16" COMPRESSION - BRASS	2
17	220-0489	GAS MANIFOLD - ARTP-PZA	1
18	220-0491	GAS LINE - 5/16" Ø 36" L - SS - FLEX	1
19	280-0176	PIPE - 1/2" NPT X 6" - SCH 40 BLACK	1
20	290-0373	BACK BURNER	1
21	290-0496	GAS KNOB WITH "A" LOGO	2
22	290-0497	BOTTOM BURNER- 1Ø - 17.5" X 5" - WITH BRACKET	1
23	SEE NOTE	ORIFICE - BOTTOM BURNER	1
24	SEE NOTE	ORIFICE - REAR BURNER	1
25	100-3124	ARTP-PZA HEARTH BURNER SUPPORT	1

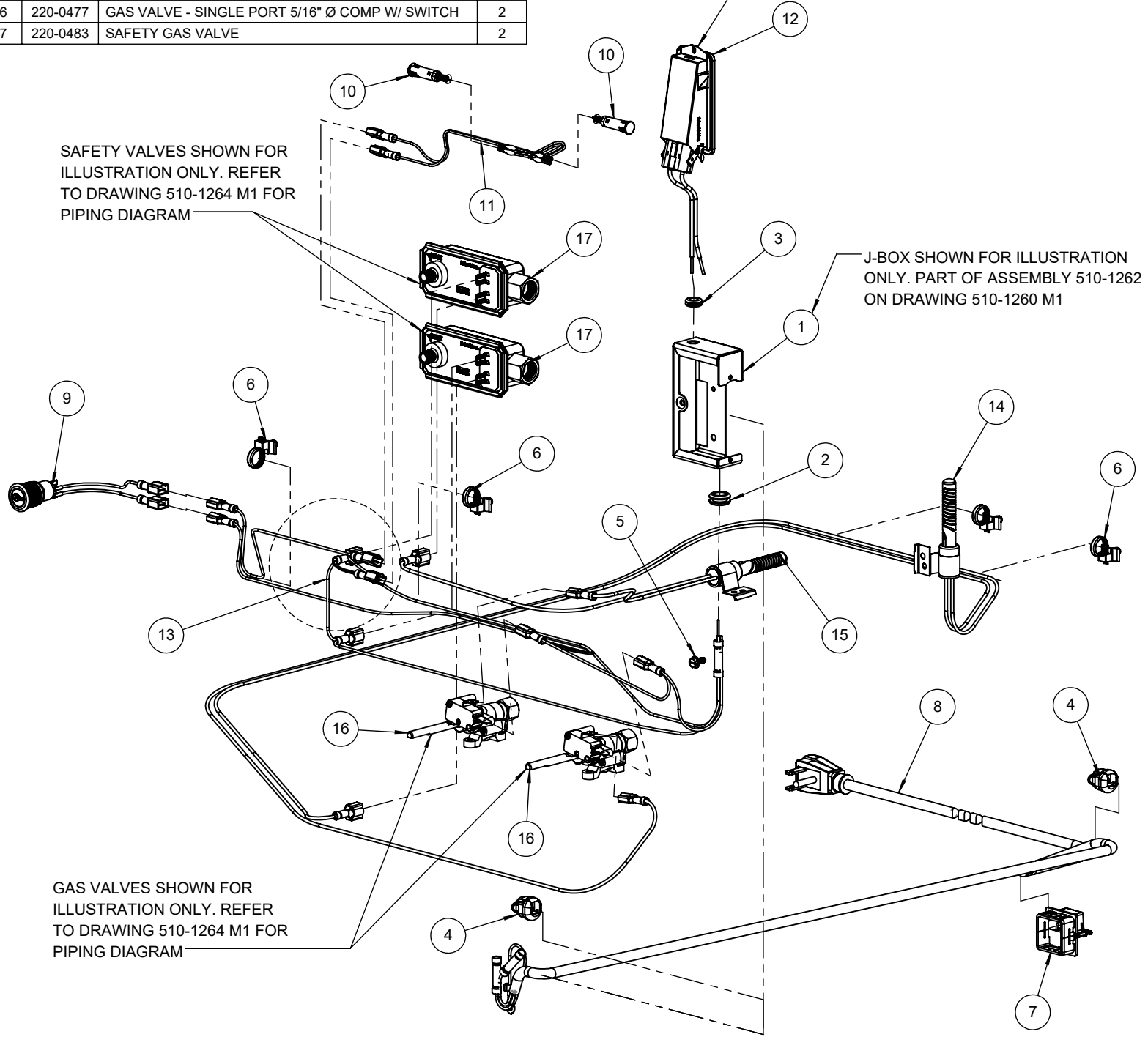
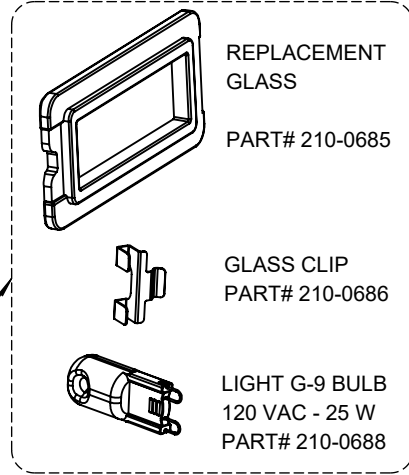


FUEL ▶		NG		LP
ITEM ▼	SIZE	NUMBER	SIZE	NUMBER
23	50	220-0397	57	220-0398
24	42	220-0492	55	220-0415



BILL OF MATERIAL

NO.	PART #	DESCRIPTION	QTY
1	100-3118	ARTP-PZA J-BOX	1
2	200-0003	GROMMET 3/8" Ø - MMC# 9600K33	1
3	200-0007	GROMMET 1/4" Ø - SRB RUBBER	1
4	200-0009	HEYCO STRESS RELIEF BUSHING # 1200 SR 6N3-4	2
5	200-0320	SCREW 8-32 x 3/8 - GROUNDING SCREW	1
6	210-0258	CABLE TIE - T&B L-5-50PM-9	4
7	210-0269	CABLE STRAIN RELIEF - HEYCO 1843	1
8	210-0499	NEMA 5-15 - 90° PLUG 18/3 EXTENSION CORD	1
9	210-0584	SWITCH - LIGHT - LATCHING [ON/OFF]	1
10	210-0624	LIGHT - BLUE LED - 8mm Ø - 110 VAC	2
11	210-0675	LIGHT HARNESS	1
12	210-0680	LAMP FIXTURE G9-B / 120 V - 25 W	1
13	210-0681	ARTP-PZA ELECTRICAL HARNESS	1
14	210-0691	BACK BURNER - HOT SURFACE IGNITER	1
15	210-0692	BOTTOM BURNER - HOT SURFACE IGNITER	1
16	220-0477	GAS VALVE - SINGLE PORT 5/16" Ø COMP W/ SWITCH	2
17	220-0483	SAFETY GAS VALVE	2



BILL OF MATERIAL

NO.	PART #	DESCRIPTION	QTY
1	100-3148	ARTP-PZA OVEN COVER HANDLE	1
2	100-3149	ARTP-PZA OVEN COVER HANDLE HEAT SHIELD	1
3	200-0092	1/4 X 1/8 X 5/8 FLAT WASHER - SPACER	4
4	200-0112	SCREW 10-32 X 1/4 X 1/8 X 1/4- SHOULDER - 1/8 SOCKET - SS	4
5	200-0194	POP RIVET Ø.125 X .063- .125 RANGE	2
6	290-0468	BUMBER - OBROUND - 600 °F - BLACK SILICONE	4
7	510-1268	ARTP-PZA - OVEN FRONT COVER BACK ASSEMBLY	1

