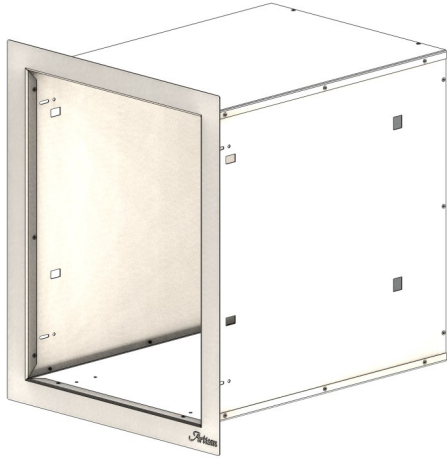


Artisan™

Open Air Culinary Systems

ARTP-2DR-17SC

PARTS LIST



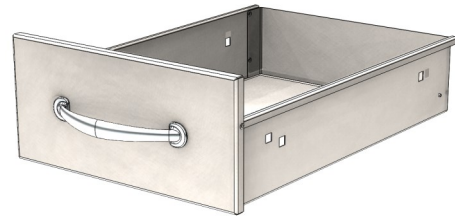
BODY 510-1316



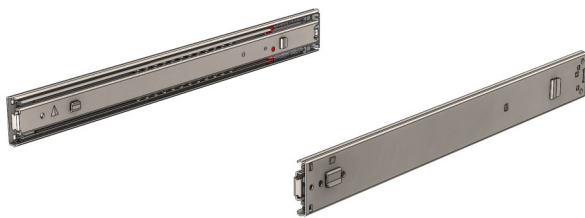
DRAWER ASSEMBLY



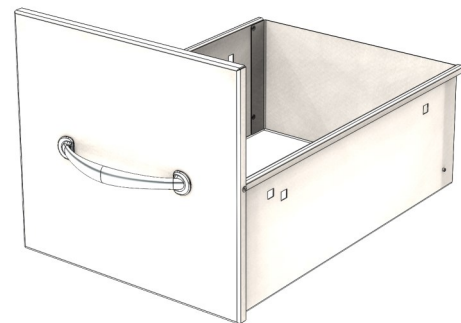
HANDLE 290-0073
(MOUNTING)



DRAWER 510-1315



DRAWER SLIDES
(PAIR) 290-0460



DRAWER 510-1314