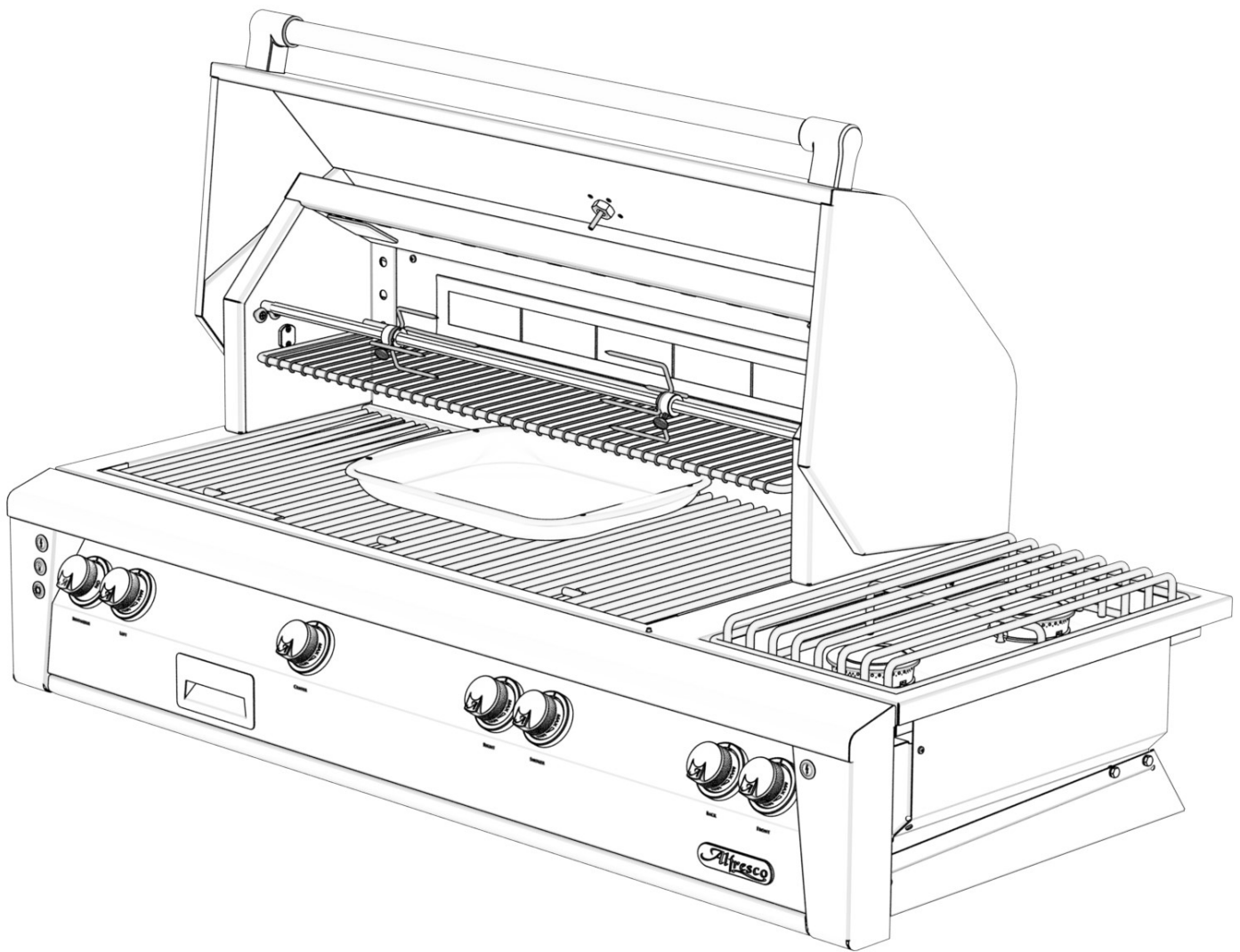
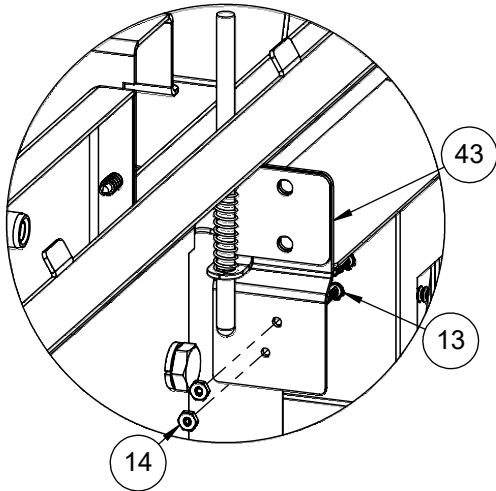


Alfresco™

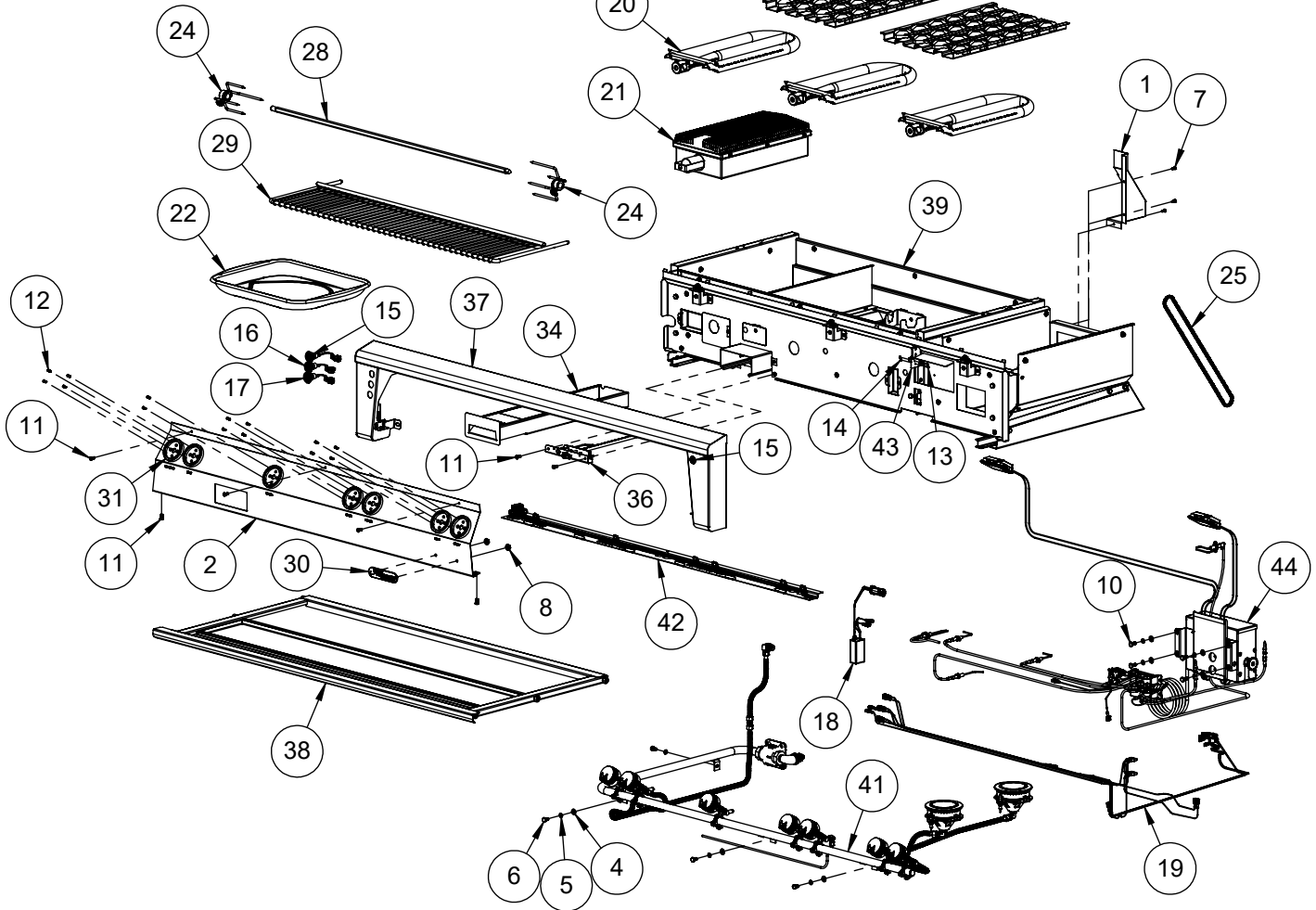
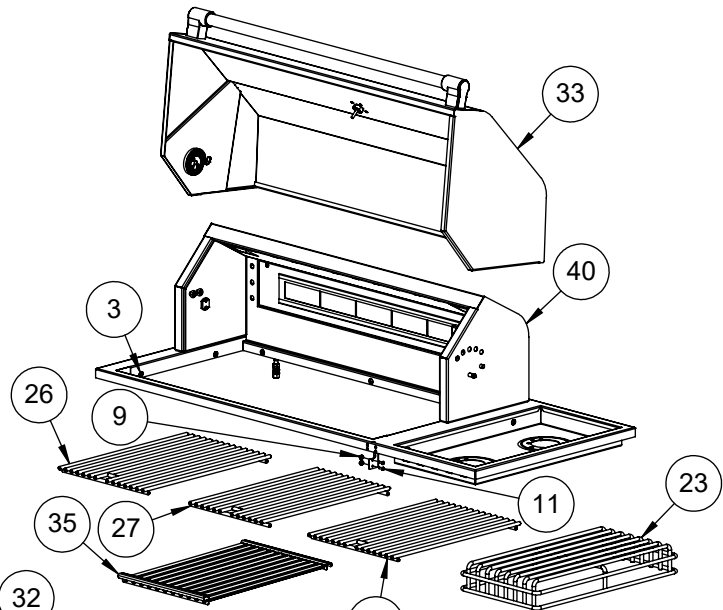
Open Air Culinary Systems



ALXE-56 & 56SZ Parts Manual
Serial Numbers up to 17-99999



DETAIL OF HOOD SWITCH MECHANISM
 FASTENERS 13 & 14 ARE FOR
 ATTACHING THE SWITCH 210-0626
 SEE ELECTRICAL COMPONENTS



NOTE:

SEARZONE™ BURNER (21) AND GRILL (35) USED ON ALXE-56SZ

OTHERWISE, ONLY BURNER (20), GRILLS (26), (27) AND BRIQUETTE (32) USED ON ALXE-56

ITEM	PART NUMBER	DESCRIPTION	QTY
1	100-2012	ALX2-56 - SIDE BURNER - CHAIN COVER	1
2	130-3110	FRONT PANEL	1
3	200-0057	SCREW 1/4-20 X 1/2 - TRUSS HEAD - PHILLIPS	14
4	200-0074	FLAT WASHER 1/4 TYPE A NARROW	7
5	200-0087	WASHER - 1/4" SPRING LOCK- REGULAR - SS	8
6	200-0089	BOLT - HEX HEAD 1/4-20 x 1/2" L	4
7	200-0111	SCREW 8-18 X 1/2 - SELF TAP - 410 SS	5
8	200-0125	NUT THREAD CUTTER FOR 1/4" Ø STUD -SPEED NUT	2
9	200-0206	8-32 KEP NUT 18-8 STAINLESS	2
10	200-0219	HEX HD MACHINE SCREW 1/4-20 UNC X 5/8 LONG SS	4
11	200-0267	10-32 X 1/2 - PAN HEAD - PHILLIPS SCREW	9
12	200-0348	Screw 6-32 x 3/8 Flat Head (82°) phillips - Thread Cutter - #2 Drive - SS 410	14
13	200-0362	18-8 SS PAN HEAD SCREW 2-56 X 3/8	2
14	200-0363	18-8 SS HEX NUT 2-56	2
15	210-0583	SWITCH - IGNITION - MOMENTARY [ON]/OFF	2
16	210-0584	SWITCH - LIGHT - LATCHING [ON/OFF]	1
17	210-0585	SWITCH - ROTISSERIE - LATCHING [ON/OFF]	1
18	210-0623	TRANSFORMER ASSY FOR ALXE	1
19	210-0630	ALXE-56 WIRING HARNESS	1
20	290-0038	BURNER - GRILL - "U" SHAPE	3
21	290-0052	ALFRESCO SEAR ZONE™ BURNER ASSEMBLY	1
22	290-0059	ROTISSERIE DRIP PAN	1
23	290-0069	GRATE - DUAL SIDE BURNER	1
24	290-0096	FORK ASSEMBLY	2
25	290-0116	CHAIN - ANSI # 25 - 1/4" PITCH - .13" Ø X 1/8" ROLLER	1
26	290-0124	GRILL 30" BBQ - 12 3/4" WIDE - SS	2
27	290-0157	GRILL 30" BBQ - 11 3/4" WIDE - SS	1
28	290-0158	SPEAR - ROTISSERIE - 42" - 2006 BBQ	1
29	290-0304	ALX2-42 WARMING RACK - SS	1
30	290-0377	ALFRESCO RANGE LOGO	1
31	290-0388	ALFRESCO RANGE KNOB - BEZEL RING	7
32	510-0522	ALX2 - BRIQUETTE TRAY ASSEMBLY	3
33	510-0895	FRONT HOOD ALXE-42	1
34	510-0912	ALXE SMOKER BOX	1
35	510-0913	SEARZONE™ GRILL ASSEMBLY	1
36	510-0918	ALXE SMOKER BURNER ASSEMBLY	1
37	510-0974	FRONT PANEL PERIMETER	1
38	510-0985	56" DRIP TRAY ASSEMBLY	1
39	510-0986	ALXE-56 FIREBOX MAIN ASSEMBLY	1
40	510-0989	REAR HOOD & RIM ASSEMBLY	1
41	510-0996	ALXE-56 AND 56SZ GAS MANIFOLD ASSEMBLY	1
42	510-1001	ALXE-56 LED LIGHT FIXTURE	1
43	510-1026	ALXE HOOD SWITCH MECHANISM	1
44	510-1053	ALXE-56 AND 56SZ ELECTRICAL COMPONENTS	1

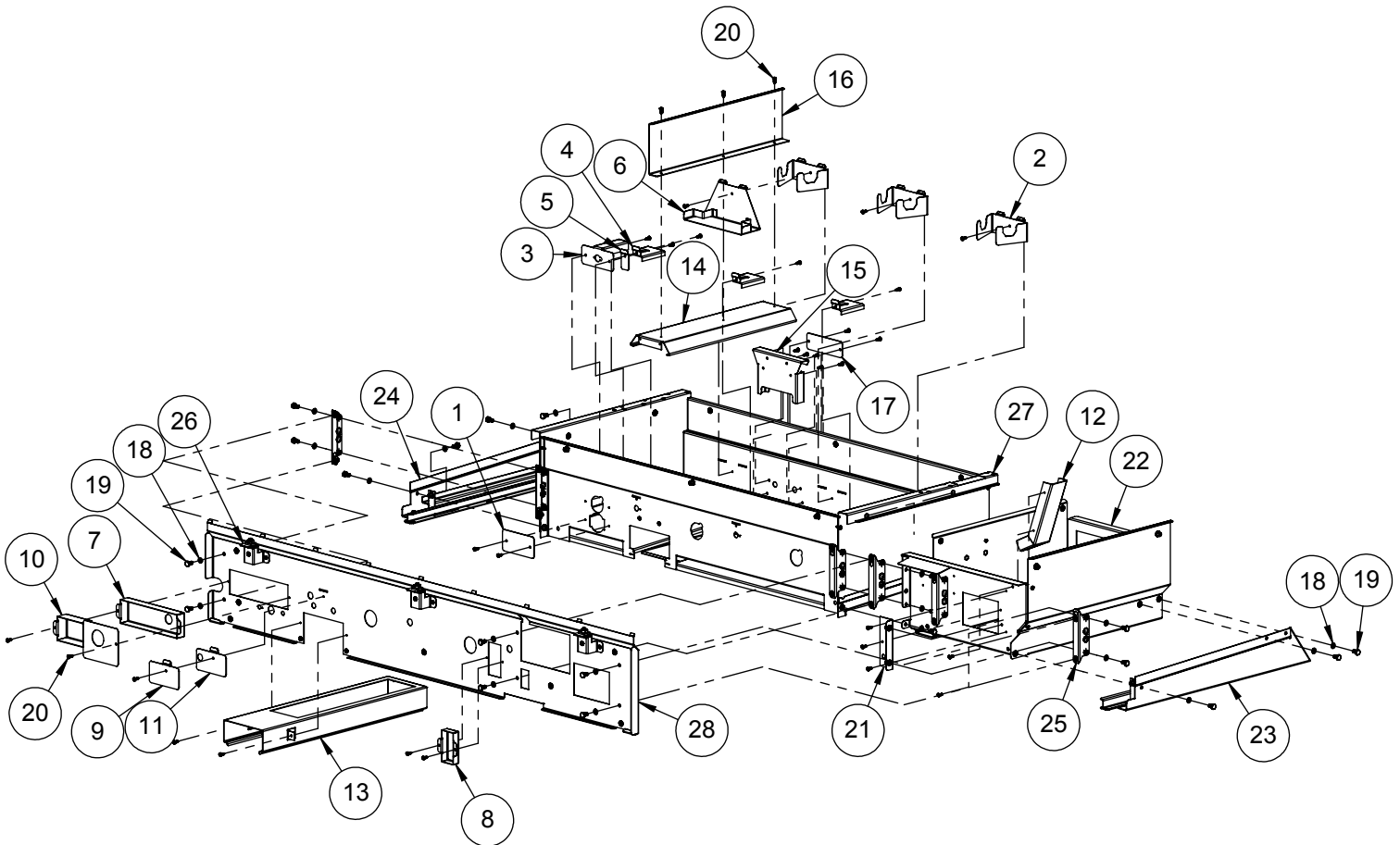
NOTE:
 UNIQUE PARTS USED ON ALXE-56 MODEL

- 1 4 10 11

UNIQUE PARTS USED ON ALXE-56SZ MODEL

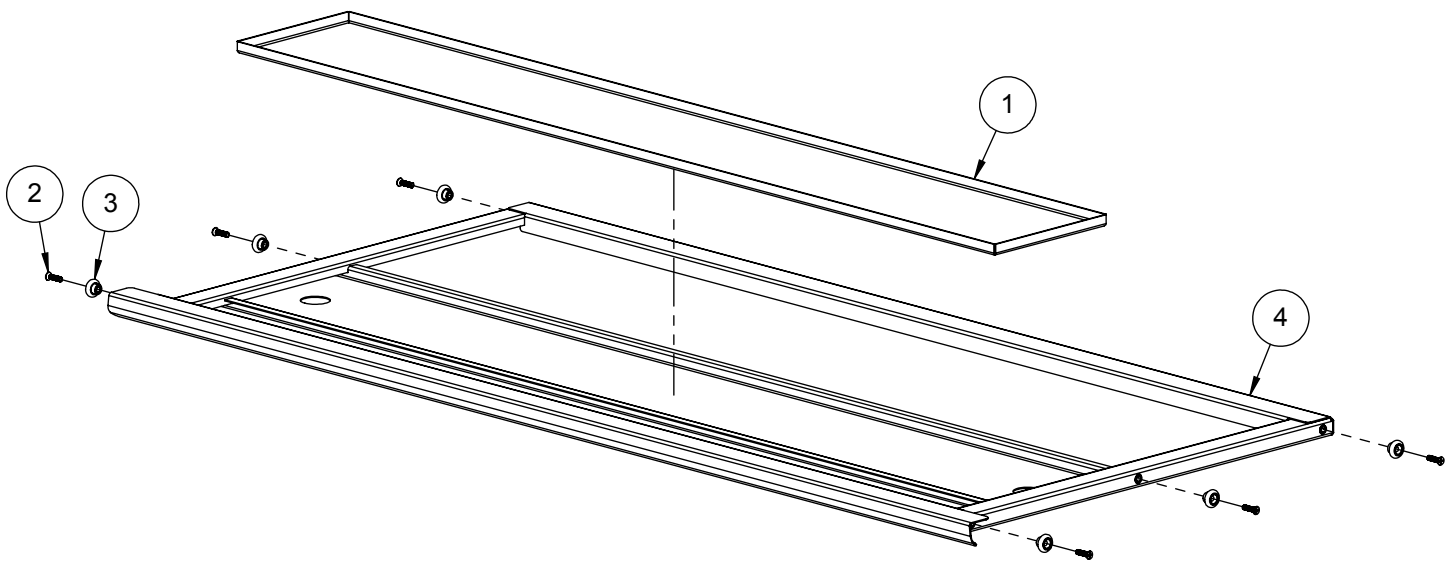
- 3 5 6 7 9 16

ITEM 2 IS USED FOR "U" BURNERS ONLY
 THEREFORE, ALXE-56SZ ONLY HAS TWO.

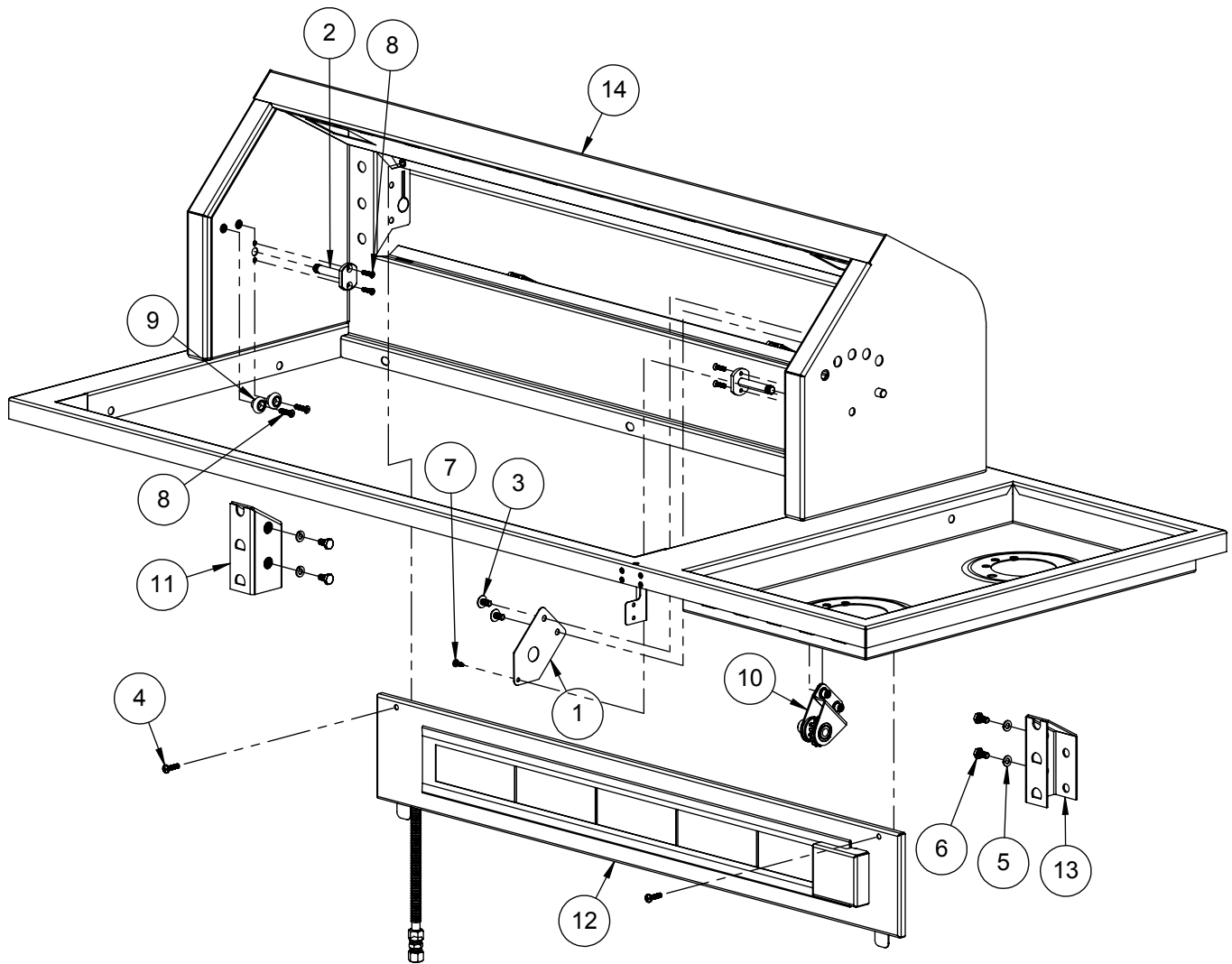


ITEM	PART NUMBER	DESCRIPTION	QTY
1	100-1065	SEARZONE™ OPENING FIREBOX COVER	1
2	100-1846	ALX2 - U-BURNER BRACKET	3
3	100-1847	ALX2 - SEAR-ZONE IGNITER BRACKET / SHIELD	1
4	100-1848	ALX2 - IGNITER SHIELD	3
5	100-1849	ALX2 - IGNITER HOLE COVER	1
6	100-1884	ALX2 - SEAR-ZONE™ BURNER BRACKET	1
7	100-1887	ALX2 - DUAL VALVE FIREWALL COVE	1
8	100-1888	ALX2 - SINGLE VALVE FIREWALL COVE	1
9	100-1890	ALX2 - FIREWALL OPENING COVER FOR SEARZONE™	1
10	100-1945	ALX2 - DUAL VALVE FIREWALL COVER FOR U-BURNER	1
11	100-1946	ALX2 - FIREWALL OPENING COVER FOR U-BURNER	1
12	100-2013	ALX2-56 - SIDE BURNER DRAIN CHANNEL	1
13	130-3039	ALXE SMOKER BOX BODY	1
14	130-3040	ALXE SMOKER BOX TOP DIFFUSER	1
15	130-3041	FLUE	1
16	130-3042	ALX4 SEAR ZONE BURNER SHIELD	1
17	130-3047	REAR COVER PLATE	1
18	200-0087	WASHER - 1/4" SPRING LOCK- REGULAR - SS	23
19	200-0089	BOLT - HEX HEAD 1/4-20 x 1/2" L	23
20	200-0111	SCREW 8-18 X 1/2 - SELF TAP - 410 SS	41
21	510-0487	ALX2-56 FIREWALL BRACKET FOR SIDE BURNER ASSEMBLY	1
22	510-0492	ALX2-56 - SIDE BURNER SUPPORT ASSEMBLY	1
23	510-0502	ALX2 - GREASE TRAY SUPPORT - RIGHT SIDE	1
24	510-0503	ALX2 - GREASE TRAY SUPPORT - LEFT SIDE	1
25	510-0520	ALX2 - FIREWALL SUPPORT BRACKET ASSEMBLY	6
26	510-0904	ALXE FRONT PANEL MNTG BRKT	3
27	510-0926	ALXE-42 FIREBOX WELDED PARTS	1
28	510-0995	FIREWALL ASSEMBLY	1

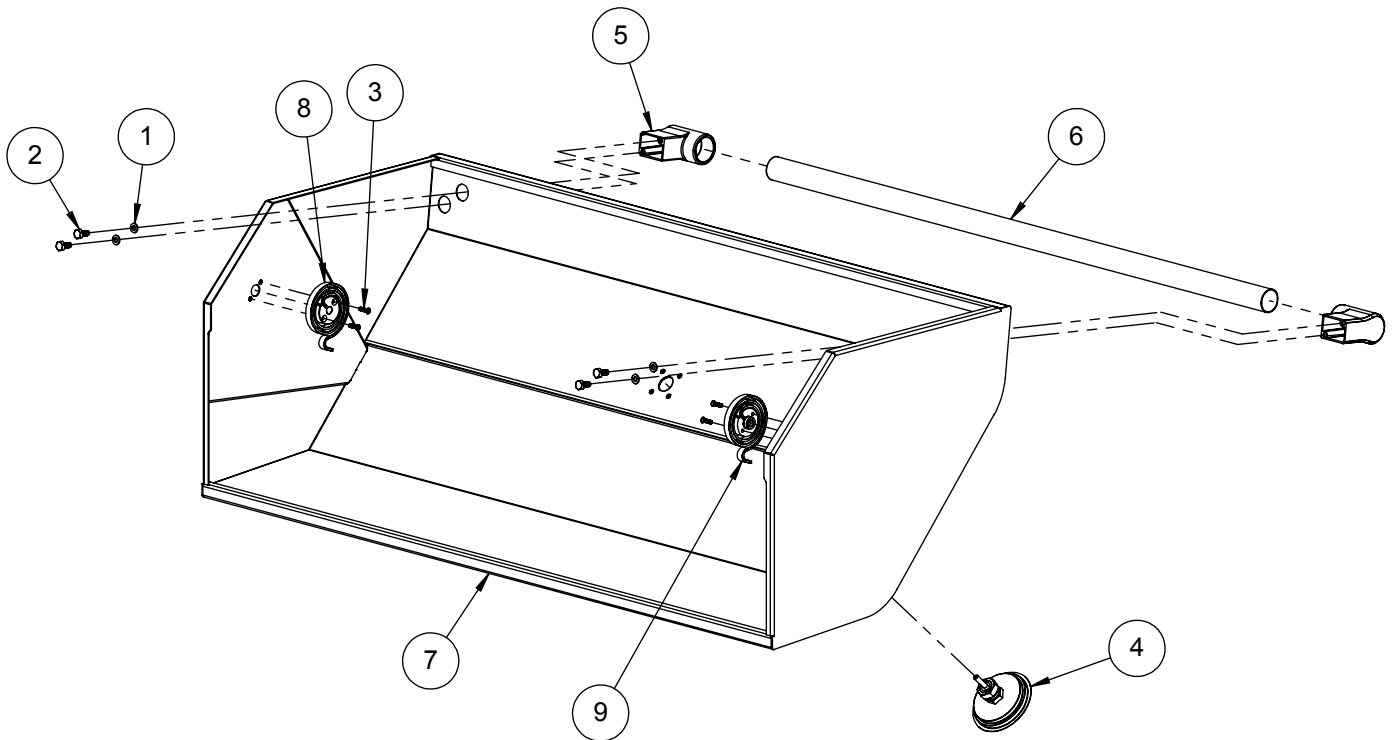
ITEM	PART NUMBER	DESCRIPTION	QTY
1	130-3109	DRIP TRAY INSERT	1
2	200-0148	SCREW 10-32 X 3/4" - FLAT HEAD - PHILLIPS - 82° - SS	6
3	290-0119	ROLLER WHEEL - STAINLESS STL - 3/4" Ø -	6
4	510-0984	DRIP TRAY WELDED PARTS	1



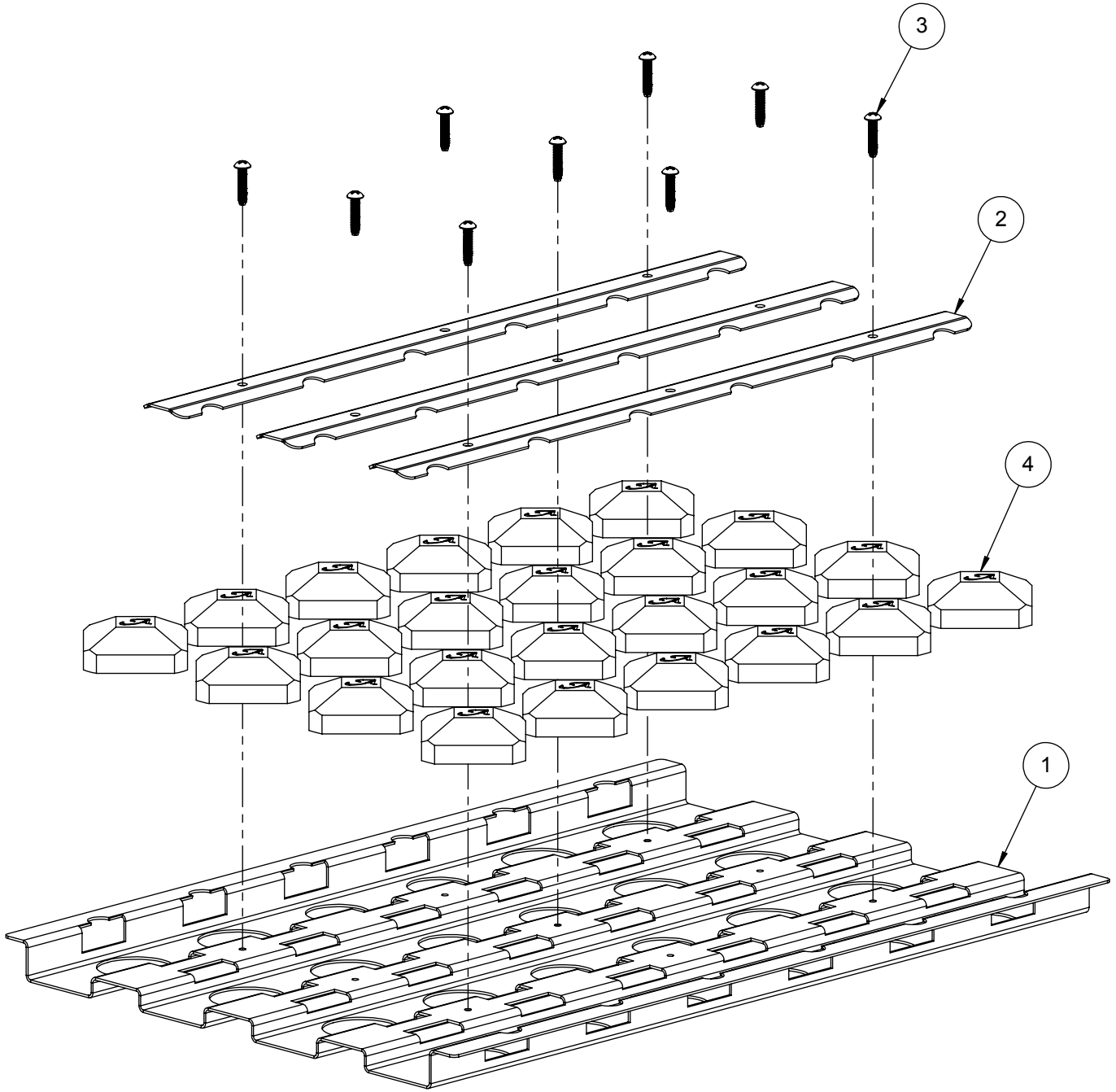
ITEM	PART NUMBER	DESCRIPTION	QTY
1	100-1092	ALX2 - ROTISSERIE GEAR COVER	1
2	130-2985	PIVOT PIN	2
3	200-0057	SCREW 1/4-20 X 1/2 - TRUSS HEAD - PHILLIPS	2
4	200-0062	10-32 X 3/4 - PAN HEAD - PHILLIPS SCREW	2
5	200-0087	WASHER - 1/4" SPRING LOCK- REGULAR - SS	4
6	200-0089	BOLT - HEX HEAD 1/4-20 x 1/2" L	4
7	200-0111	SCREW 8-18 X 1/2 - SELF TAP - 410 SS	1
8	200-0361	SCREW 8-32 X 5/8" - FLAT HEAD 82° - PHILLIPS	6
9	290-0119	ROLLER WHEEL - STAINLESS STL - 3/4" Ø -	2
10	510-0139	ALX2 - ROTISSERIE GEAR ASSEMBLY	1
11	510-0511	ALX2 - WARMING RACK BRACKET ASSEMBLY - LEFT SIDE	1
12	510-0513	ALX2-42 / 42SZ - ROTISSERIE PANEL ASSY	1
13	510-0519	ALX2 - WARMING RACK BRACKET ASSEMBLY- RIGHT SIDE	1
14	510-0990	REAR HOOD & RIM WELDED PARTS	1



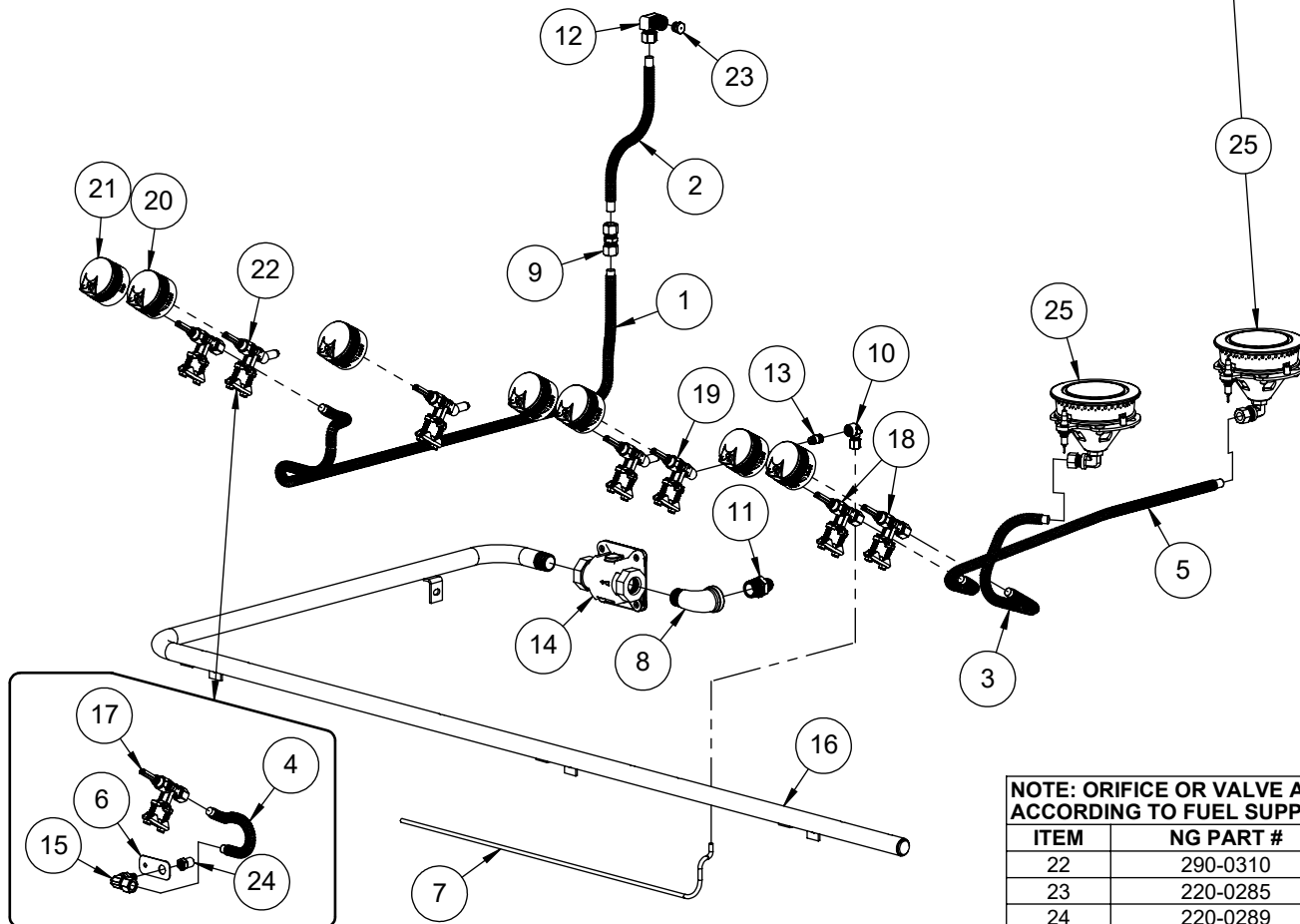
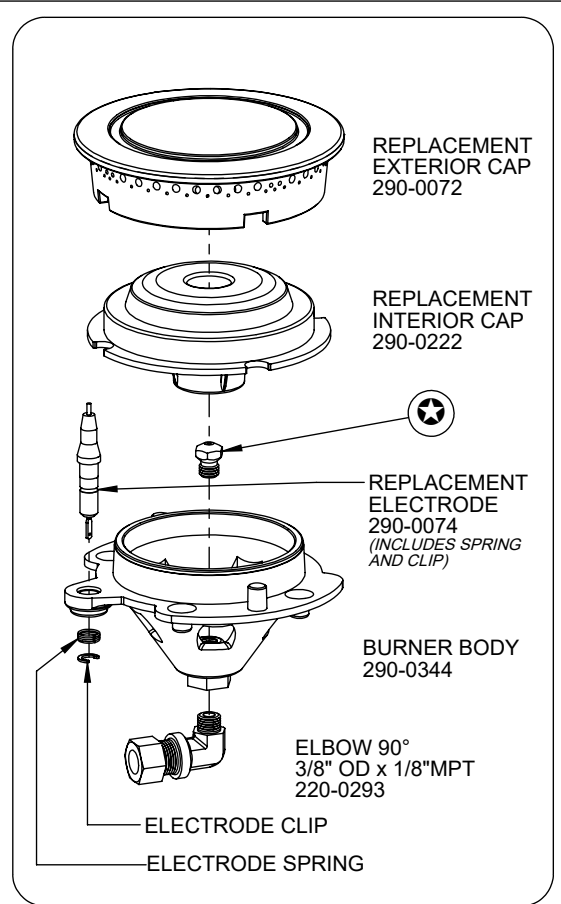
ITEM	PART NO.	DESCRIPTION	QTY
1	200-0087	WASHER - 1/4" SPRING LOCK- REGULAR - SS	4
2	200-0219	HEX HD MACHINE SCREW 1/4-20 UNC X 5/8 LONG SS	4
3	200-0361	SCREW 8-32 X 5/8" - FLAT HEAD 82° - PHILLIPS	4
4	210-0571	ALFRESCO 3-1/8 DIA ALXE THERMOMETER	1
5	290-0400	ALFRESCO BBQ / RANGE HANDLE END CAP	2
6	290-0417	ALXE-42 BARBECUE HOOD HANDLE	1
7	510-0896	FRONT HOOD (WELDED PARTS)	1
8	510-0924	SPIRAL TORSION SPRING LT	1
9	510-0925	SPIRAL TORSION SPRING RT	1



ITEM	PART NO.	DESCRIPTION	QTY
1	100-1894	ALX2 - BRIQUETTE TRAY BASE	1
2	100-1895	ALX2 - BRIQUETTE LOCK BAR	3
3	200-0312	SCREW 8-32 x 3/4"- PAN HEAD - PHILLIPS - THREAD CUTTER TYPE F	9
4	265-0005	BRIQUETTE - ALFRESCO CUSTOM	24



ITEM	PART No.	DESCRIPTION	QTY
1	100-0914	ROTISSERIE GAS LINE (42"L x 3/8" Ø - SS. FLEX TUBE)	1
2	100-0917	ROTISSERIE GAS LINE EXTENSION - 3/8"Ø X 8" - SS	1
3	100-0917	ALX2-56 SIDE BURNER 8 in GAS LINE	1
4	100-0917	SEAR ZONE™ GAS LINE (8"L x 3/8" Ø - SS. FLEX TUBE)	1
5	100-0941	ALX2-56 SIDE BURNER 24 in GAS LINE.SLDPRT	1
6	100-1067	ALX2- SMOKER & SZ™ ORIFICE BRACKET	1
7	100-1156	42" BBQ SMOKER GAS LINE	1
8	200-0274	ELBOW 90°- CAST IRON - 1/2" FPT x 1/2" MPT	1
9	220-0151	COUPLING 3/8" x 3/8" - COMPRESSION - BRASS	1
10	220-0273	ELBOW 90° - 1/8" FPT x 3/16" COMP	1
11	220-0275	NIPPLE - 1/2" MPT X 3/8" OD FL	1
12	220-0276	ELBOW 3/8" MPT x 1/8" FPT x 3/8" COMP	1
13	220-0277	NIPPLE 1/8"MPT x 1/16"MPT	1
14	220-0280	REGULATOR GAS - MAXITROL RV48CL440002	1
15	220-0293	ELBOW 3/8-27 UNS x 3/8" COMP	1
16	220-0344	MANIFOLD - 56" BBQ LX2 DELUXE	1
17	290-0041	GAS VALVE - STRAIGHT - WITHOUT ORIFICES	2
18	290-0042	GAS VALVE - SIDE BURNER - WITH INTERNAL ORIFICE	2
19	290-0066	GAS VALVE - ANGLED - ORIFICE: INT= 0.95 mm / EXT=NONE	1
20	290-0433	ALFRESCO - KNOB - BBQ VALVE - Assembly	6
21	290-0434	ALFRESCO -ROTISSERIE / SEAR ZONE™ KNOB	1
22	SEE NOTE	GAS VALVE - ANGLED WITH ORIFICE >>> SEE NOTE	3
23	SEE NOTE	ORIFICE - IR ROTISSERIE UNIT (SEE NOTE FOR SIZING)	1
24	SEE NOTE	ORIFICE - SEAR ZONE™ >>> SEE NOTE	1
25	SEE NOTE	ALX2 - SIDE BURNER ASSEMBLY	2



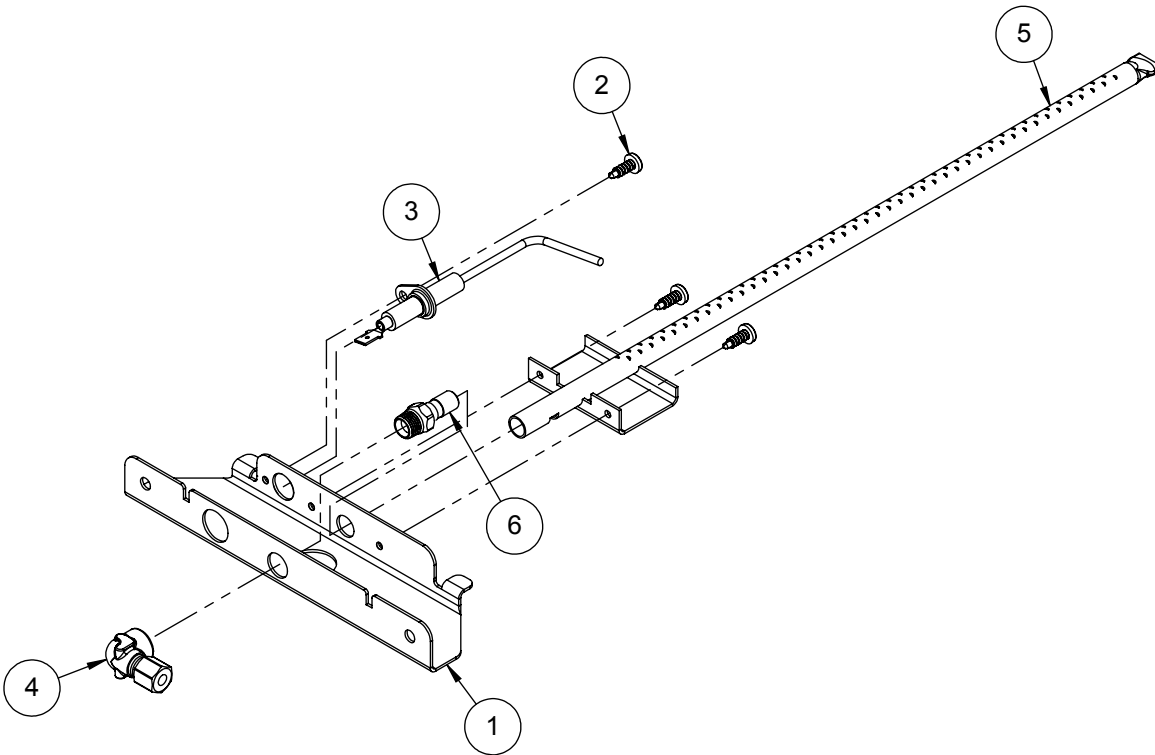
NOTE: ORIFICE OR VALVE ASSEMBLY TO CHANGE ACCORDING TO FUEL SUPPLY (NG OR LP).

ITEM	NG PART #	LP PART #
22	290-0310	290-0311
23	220-0285	220-0286
24	220-0289	220-0290
25	290-0070	290-0071
☼	220-0368	220-0369

ITEM	PART NUMBER	DESCRIPTION	QTY
1	130-3019	MOUNTING BRACKET	1
2	200-0111	SCREW 8-18 X 1/2 - SELF TAP - 410 SS	3
3	210-0189	ELECTRODE - "L" SHAPED - MAIN BURNER	1
4	220-0273	ELBOW 90° - 1/8" FPT x 3/16" COMP	1
5	510-0504	ALX2 - SMOKER BURNER ASSEMBLY	1
6	SEE NOTE	ORIFICE - SMOKER UNIT >>> SEE NOTE	1

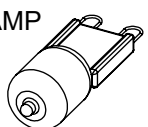
NOTE: ORIFICE OR VALVE ASSEMBLY TO CHANGE ACCORDING TO FUEL SUPPLY: NATURAL GAS OR LIQUID PROPANE

ITEM	NG GAS	LP GAS
	PART #	PART #
6	220-0313	220-0314

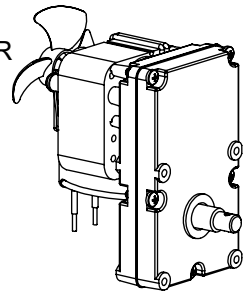


ITEM	PART NUMBER	DESCRIPTION	QTY
1	210-0189	ELECTRODE - "L" SHAPED - U-BURNER / SMOKER	4
2	210-0192	ELECTRODE - DUAL TIP - SEARZONE™	1
3	210-0240	ELECTRODE - DUAL TIP "L" SHAPE- ROTISSERIE	1
4	210-0465	IGNITER MODULE (4 POINTS)	2
5	210-0509	LAMP ASSEMBLY (32" WIRE LENGTH)	1
6	210-0510	LAMP ASSEMBLY (56" WIRE LENGTH)	1
7	210-0522	ALX2-56 / 56SZ - IGNITER WIRE KIT	1
8	210-0626	ALXE PERIMETER LIGHT SWITCH	1
9	290-0074	ELECTRODE ASSEMBLY	2
10	510-0514	ALX2 - ROTISSERIE MOTOR BOX ASSEMBLY	1

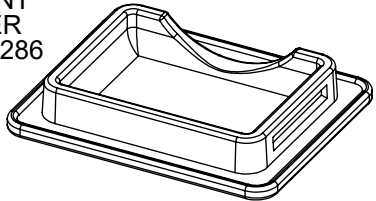
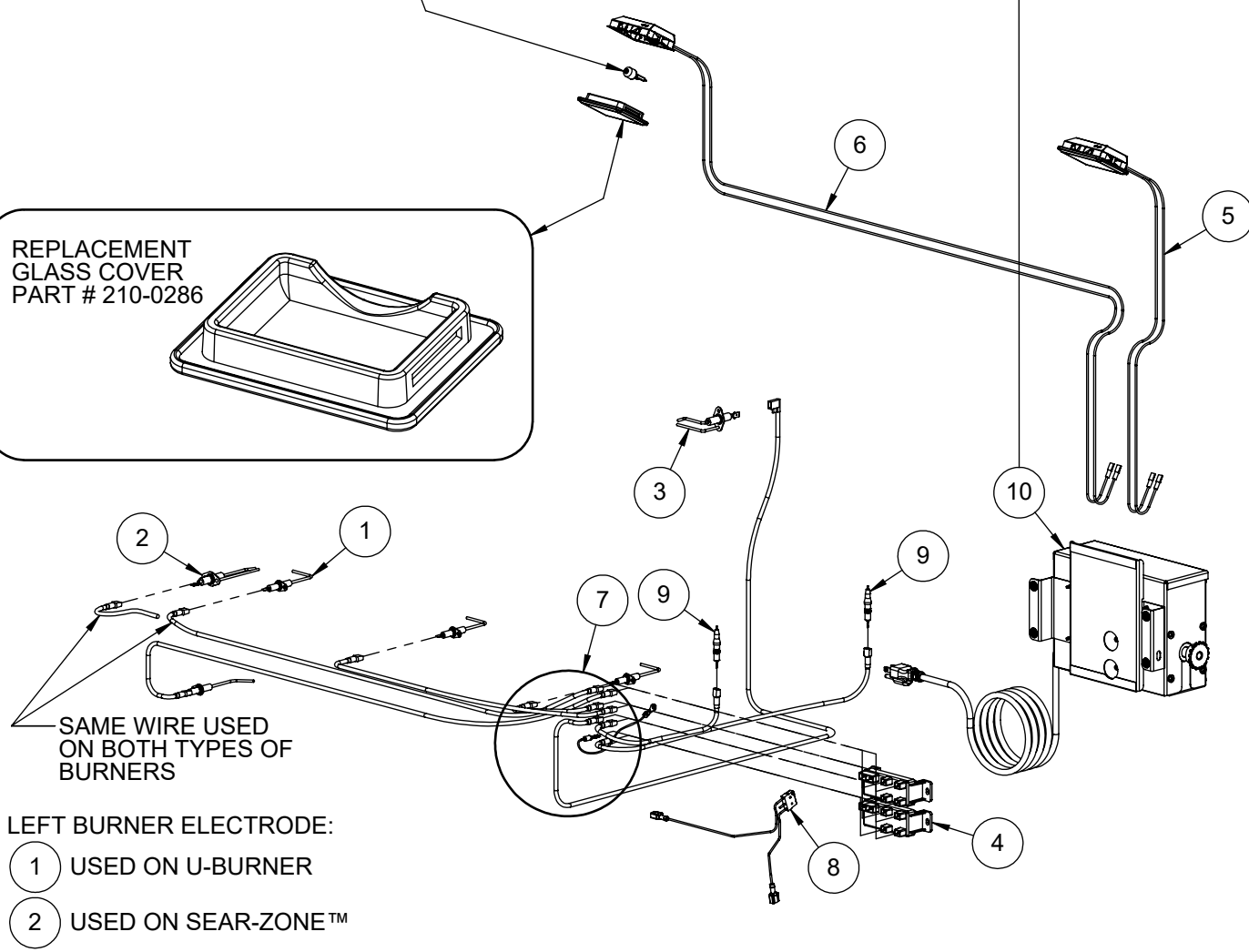
REPLACEMENT LAMP
G940120-G9 BASE
40W - 120 VAC
PART # 210-0317



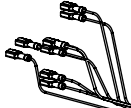
REPLACEMENT
ROTISSERIE MOTOR
PART # 210-0235



REPLACEMENT
GLASS COVER
PART # 210-0286

CONNECTIONS: NEUTRAL TO TRANSFORMER,
POWER TO TRANSFORMER AND IGNITER, LIGHTS
& ROTISSERIE SWITCHES. FRONT LEFT.

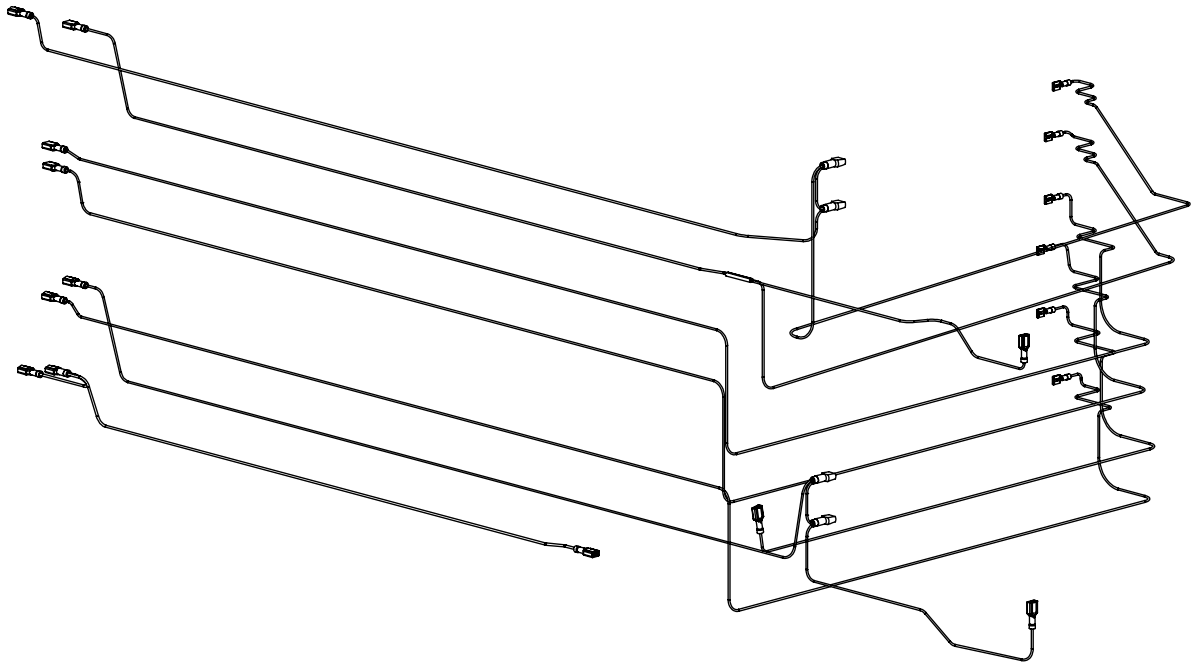


CONNECTIONS IN
MOTOR BOX AT
REAR RIGHT.



CONNECTIONS: IGNITER NEUTRAL & POWER,
PERIMETER LIGHT SWITCH NEUTRAL & POWER,
AND POWER TO TRANSFORMER. FRONT RIGHT.

WIRING HARNESS PART NUMBER 210-0630



EXPLODED VIEW OF WIRING HARNESS
NOTE: INDIVIDUAL WIRES ARE NOT SOLD SEPARATELY

Alfresco[™]

Open Air Culinary Systems

ALXE-56 PARTS MANUAL

ALFRESCO[™] GOURMET GRILLS

ALL RIGHTS RESERVED 04/2016