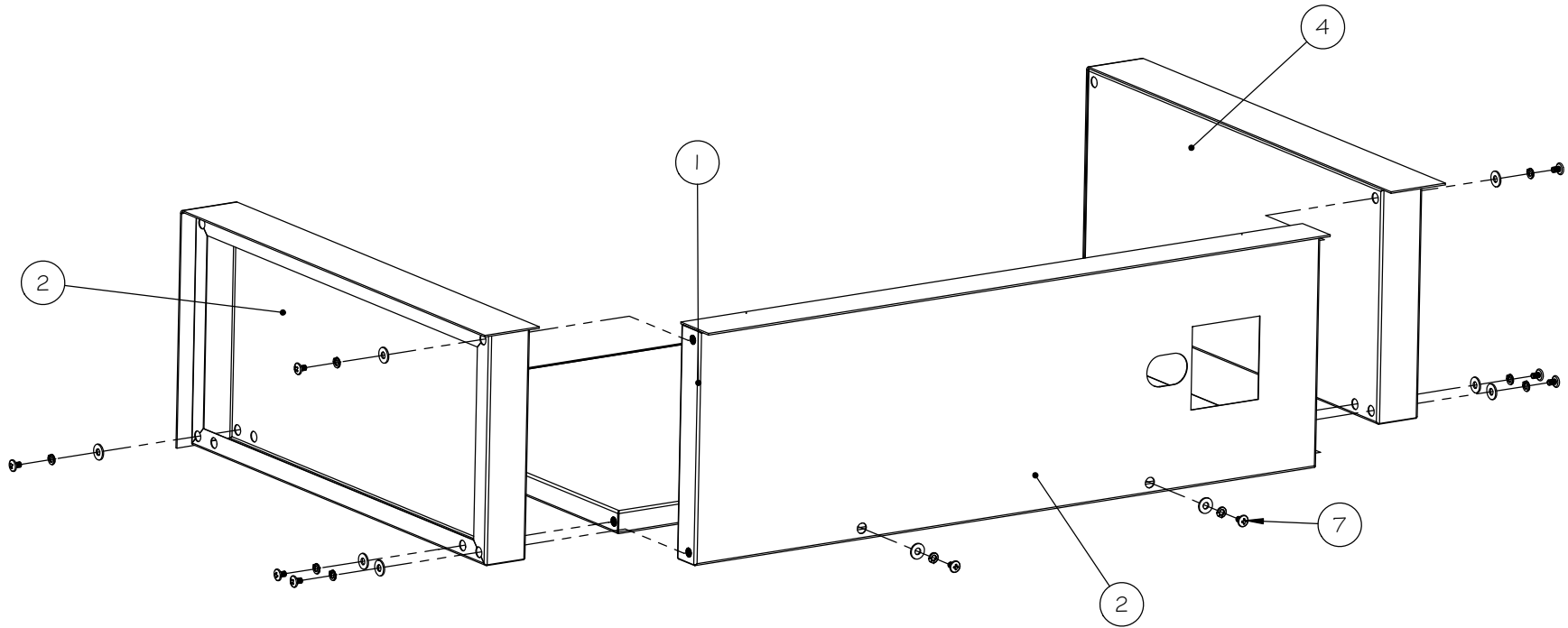


REVISIONS

REV.	DESCRIPTION	DATE	APPROVED
A	DELETED HARDWARE SPACERS	3/13/14	JORGE P.



**NOTES: All fasteners, bolts and washers are included.
Refer to Kit# 310-0453**

ITEM NO.	PART NUMBER	DESCRIPTION	QTY.
1	510-0270	AIJ-36 BOTTOM PANEL SUB - ASSEMBLY	1
2	510-0386	AIJ-36 REAR PANEL SUB - ASSEMBLY	1
3	310-0456	AIJ-36 RT SIDE PANEL SUB - ASSEMBLY	1
4	310-0455	AIJ-36 LT SIDE PANEL SUB - ASSEMBLY	1
5	310-0453	AIJ-30/36/42 ASSEMBLY KIT	1

Alfresco
SUPERIOR EQUIPMENT SOLUTIONS
7039 EAST SLAUSON AVENUE
COMMERCE, CA. 90040

THE INFORMATION CONTAINED IN THIS DRAWING IS THE SOLE PROPERTY OF SUPERIOR EQUIPMENT SOLUTIONS, INC. ANY REPRODUCTION IN PART OR AS A WHOLE WITHOUT WRITTEN PERMISSION FROM SUPERIOR EQUIPMENT SOLUTIONS, INC. IS PROHIBITED

C:\Working\AIJ\AIJ-36\

CREATED: Tuesday, March 27, 2012

DRAWN BY: Jorge Pelayo

CUSTOMER:

SES

PROJECT TITLE:
AIJ-36 ASSY. INSTRUCTIONS

DRAWING TITLE:
36 in. BBQ INSULATED JACKET

DRAWING NO.:
510-0267

SIZE: LETTER
SHEET 2 OF 2