

Artisan

ARTPC-SB2M ASSEMBLY INSTRUCTIONS



**ARTP-SB2 DUAL SIDE BURNER MOUNTING BRACKET
FOR ARTISAN CART MODELS: ARTPC-26, 32 AND 36**

BILL OF MATERIAL

NO.	PART #	DESCRIPTION	QTY.
1	100-3090	CART KIT - SIDE COVER	1
2	100-3091	CART KIT - BACK COVER	1
3	200-0008	GROMMET Ø 5/8" - MMC# 9600K36	2
4	200-0057	SCREW 1/4-20 X 1/2 - TRUSS HEAD - PHILLIPS	2
5	200-0086	1/4-20 X 3/8 - TRUSS HEAD - PHILLIPS SCREW	2
6	200-0238	10-32 KEP NUT 18-8 STAINLESS	4
7	200-0257	FLAT HD SCREW 1/4-20 X 3/4 PHILIPS 82"	2
8	200-0267	10-32 X 1/2 - PAN HEAD - PHILLIPS SCREW	8
9	210-0289	CABLE STRAIN RELIEF - HEYCO 1843	1
10	510-1243	CART KIT MAIN BRACKET ASSEMBLY	1
11	510-1244	CART KIT BACK BRACKET ASSEMBLY	1

ITEMS NOT INCLUDED BUT REQUIRED FOR ASSEMBLY OF THIS UNIT:



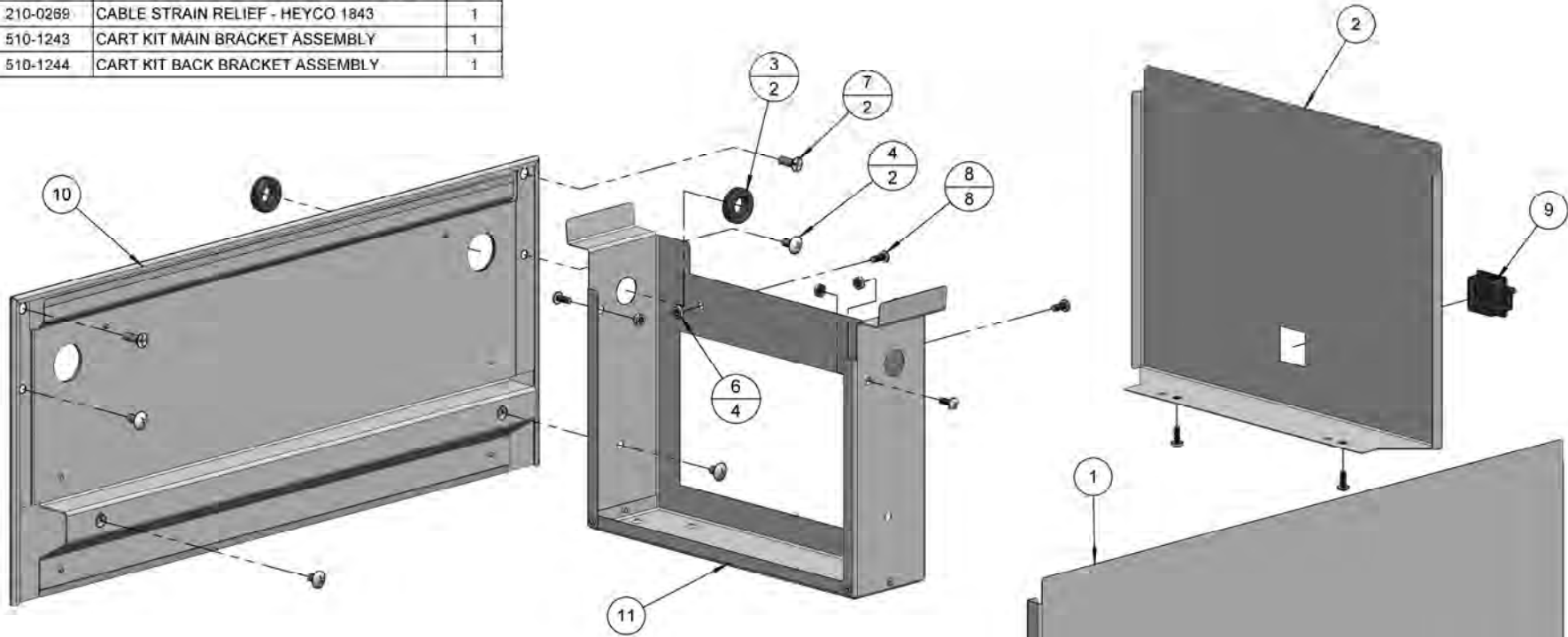
SCREWDRIVER # 3 - PHILIPS



MEDIUM SIZE ADJUSTABLE WRENCH



SMALL / MEDIUM PIPE WRENCH



PIPING COMPONENT SUPPLIED WITH KIT:



3/8" Ø x 54" LONG FLEX STAINLESS TUBE (X1)



3/8" x 1/2" NPT COMPRESSION ADAPTER (X2)



TEE 1/2" NPT (X1)



NIPPLE 1/2" NPT CLOSE (X1)

ASSEMBLY PROCEDURE:

STEP 1:

To begin installing the ARTPC-SB2M Mounting Bracket in your Artisan cart, you must first remove the appropriate existing shelf unit out of it.

This is accomplished by removing the 4 screws and lock washers located under the shelf on both the sides of it.
(See Figure # 1)

NOTE 1: The ARTPC-32 shown in this drawing is for illustration purposes only. These same instructions apply to all Artisan cart models.

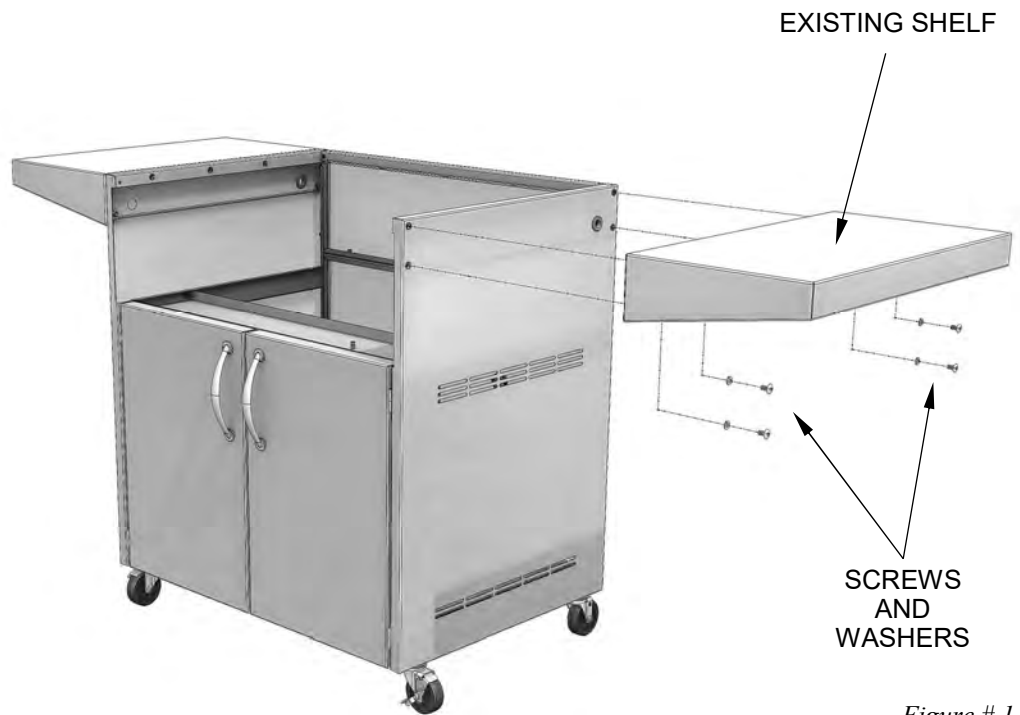


Figure # 1

NOTE 2: The ARTPC-SB2M Bracket can be mounted to the left or right side of the cart. For illustration purposes, the assembly will be shown on the right side of the cart

STEP 2:

Install the ARTPC-SB2M Main Bracket assembly (item 10 - part 510-1243 shown on page 2) by using the proper screws provided.

IMPORTANT:

Install the 1/4-20 **FLAT** head screws on the TOP and the 1/4-20 **TRUSS** head screws at the BOTTOM.

Tighten screws while aligning the mounting bracket to the sides and top edges of the cart unit's side panel.
(See Figure # 2)



Figure # 2

Install one of the provided grommets to protect the gas line to be installed at a later stage.

STEP 3:

Prepare the ARTP-SB2 Dual Side Burner unit by installing the required Back Bracket (shown as item 11 - part number 510-1244 on page 2)

(See figure # 3)

The Back Bracket is fastened to the side burner's existing rear support with (4) 10-32 Pan head Screws (Item 8 - Part 200-0267) and (4) 10-32 Kept nuts (Item 6 - Part 200-0238).

Install the second Grommet provided, in the body of the Back Bracket. The grommet should be on the matching side where you will be installing side burner to the cart.

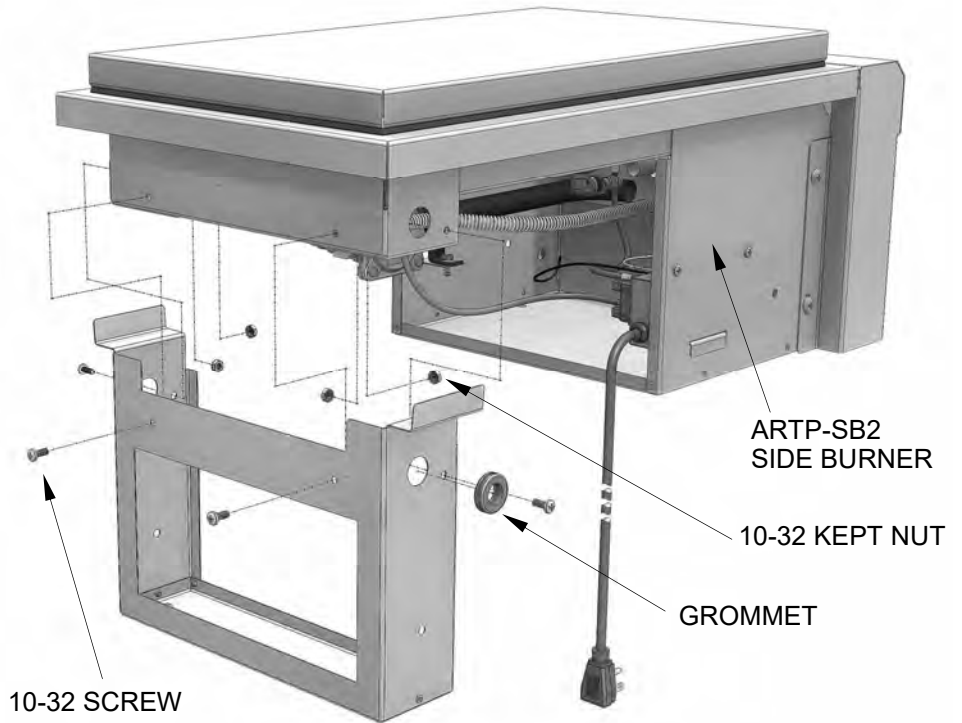


Figure # 3

The grommet is intended to protect the gas line to be installed at a later stage.

STEP 4:

Mount the ARTP-SB2 Side Burner onto the Main Mounting Bracket you just installed in the panel of the Artisan Cart.

(See Figure # 4)

The perimeter of the Side Burner holds the body of the unit against the mounting bracket by fitting over the TOP OFFSET FLANGE.

Insert the ARTP-SB2 Perimeter Flange between the Main Bracket and the OFFSET Flange..

The ARTP-SB2 should rest tightly against the body of the Main Bracket near the top of the Artisan cart, but loose at the bottom.



Figure # 4

STEP 5:

Fasten the ARTP-SB2 Side Burner to the ARTPC-SB2M Mounting Bracket with the (2) 1/4-20 TRUSS head screws provided in this kit. (item 4 - part 200-0057 on Page 2)

(See figure # 5)

The FRONT fastening point is located inside the body of the ARTP-SB2 ahead of the igniter module or under the gas manifold depending on which side (left or right respectively) you are mounting the Side Burner on the cart.

The REAR fastening point is located in the Rear Mounting Bracket installed in step 3.

The ARTP-SB2 Dual Side Burner unit should now be permanently attached to the cart.

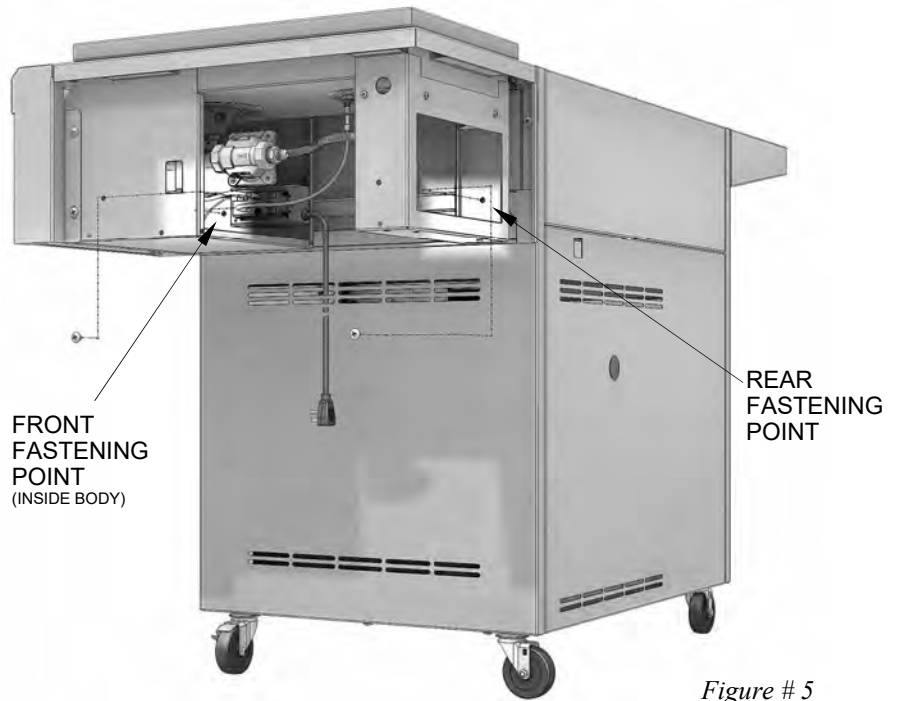


Figure # 5

STEP 6: PIPING CONNECTION

With the pipe fittings provided in the kit, it is now time to connect the gas line from your ARTP BBQ to the Side Burner.

REMOVE the 3/8" ODF compression fitting on the ARTP-SB2 pressure regulator and REPLACE with one of the 3/8" COMP. x 1/2" NPT Compression Adapters provided.

Install the 3/8"Ø x 54" long flexible stainless gas line in the fitting and tighten the compression nut.

Route the flexible gas line into the body of the cart by going through the rubber grommets you installed in the previous steps in the cart and rear bracket. The grommets are required to protect the gas line from the metal raw edges.

The pipe should be fed into the body of the cart so it can be connected to the gas line that the ARTP BBQ is connected to.

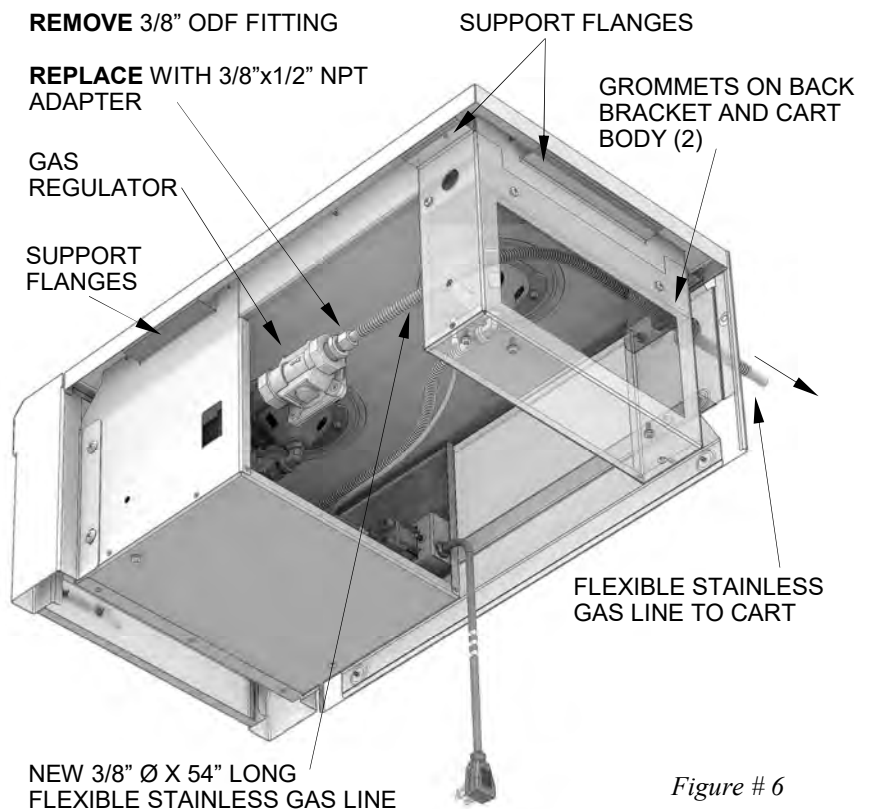


Figure # 6

The gas line goes between the back of the BBQ firebox and the back of the cart, so the piping will drop and will be visible inside the cart, under the BBQ. It is not required to remove the BBQ from the cart itself for this piping procedure.

STEP 7:

Now that the 3/8" flex stainless steel gas line has been routed inside the body of the ARTP BBQ cart, it needs to be connected to the BBQ main feed gas line.

WARNING:

In LP systems: Close the LP Tank Valve, disconnect the LP tank, remove it from the cart and disconnect the LP Gas line / Regulator assembly from the BBQ Gas Regulator.

In NG systems: Turn the Main Gas Valve off, and disconnect the Flexible gas line (or hard pipe) from the gas pressure regulator.

The gas line connections will be made at the regulator setup located under the ARTP BBQ in the back (right side) of the unit.

Using an adjustable wrench or other appropriate tool, remove the 3/8" ODF x 1/2" NPT adapter (LP systems) or the 1/2" ODF x 1/2" NPT adapter (NG systems) from the BBQ Gas regulator. (see figure # 7). Save the adapter fitting as it will be reused in the next step.

It is not necessary to remove the GAS Regulator from the ARTP BBQ as you will be connecting the ARTP-SB2 side burner *BEFORE* the regulator. (Diagram to the right shows disconnected fitting for illustrative purposes only)

NOTE: CART AND ELECTRICAL POWER CORD NOT SHOWN TO SIMPLIFY VIEW

Figure # 7



STEP 8:

Using a pipe wrench or other appropriate tool, install the 1/2" NPT close nipple provided in the kit.

NOTE: All gas fittings **MUST** be installed with Teflon pipe sealing compound or Gas Approved (yellow) - Pipe Teflon Tape. (These items are not supplied on the kit and must supplied by the customer or installation contractor)

Next, install the 1/2" NPT Tee vertically with the middle opening oriented to the left side of the grill.

Install the additional 3/8" COMP x 1/2" NPT adapter provided in the middle of the 1/2" NPT Tee.

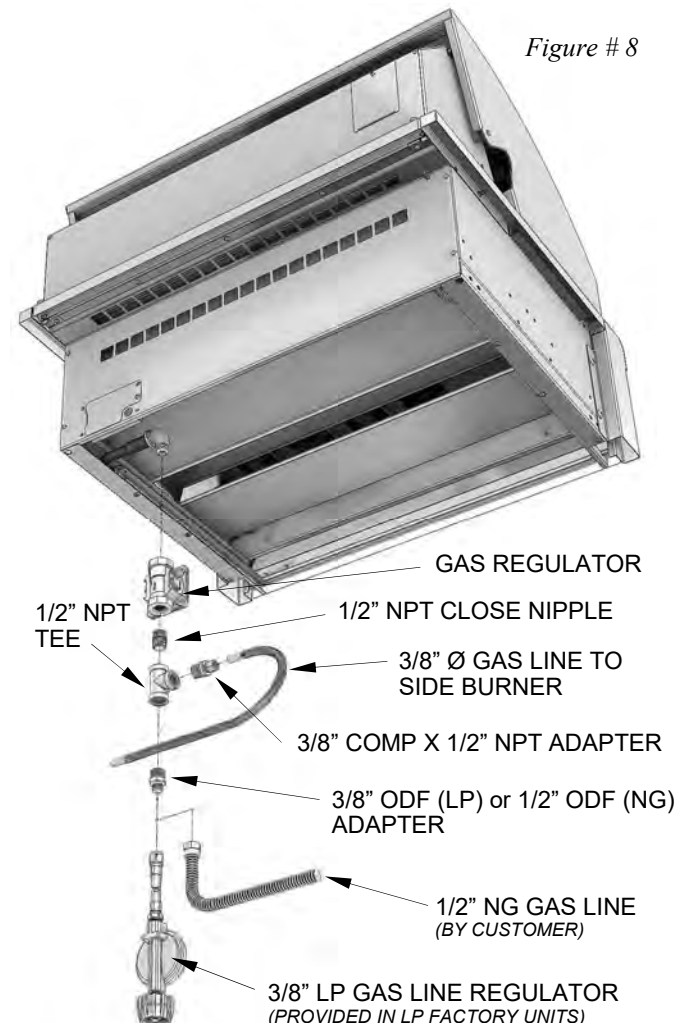
Connect the 3/8" Ø x 54" long gas line from the ARTP-SB2 Side burner and tighten the compression nut.

Install the 3/8" ODF (LP) or 1/2" ODF (NG) adapter saved from the previous step, back into the 1/2" NPT Tee and re-connect the supply gas lines.

Restore pressure to the system by opening the LP Gas Tank Valve or NG main shut off valve and check all fittings for leaks with soap and water.

WARNING: DO NOT LIGHT UP THE BBQ OR SIDE BURNER IF YOU SMELL GAS. CHECK ALL FITTINGS FOR LEAKS PRIOR TO LIGHTING UP THE BURNERS.

Figure # 8



STEP 9:

Once the ARTP BBQ and the ARTP-SB2 Dual Side Burner gas been tested for leaks and all burner light up to your satisfaction, it is time to close up the Side Burner Unit's outside skin panels. (see figure #8)

Install the Back Cover (Item 2 - part # 100-3091 on page 2) by sliding the top section between the ARTP-SB2 perimeter and the inside support flange. The support flanges are shown on picture 6 on page 5.

Secure the back cover to the rear mounting bracket using (2) 10-32 x 1/2" pan head Philips screws (item 8 - part 200-0267 on page 2) as shown below at the bottom of the back cover.

Route the ARTP-SB2 power cord through the square cut-out hole in the back cover. Secure the cable with the square strain relief (item 9 - part 210-0259 on page 2) by clamping the cable (close to the square cutout) and pushing the strain relief into the square hole.

Install the side cover (item 1 - part 100-3090 on page 2) by sliding the top section between the ARTP-SB2 perimeter and the inside support flange. The support flanges are also shown on picture 6 on page 5.

Secure the side cover to the rear mounting bracket and front body using (2) 10-32 x 1/2" pan head Philips screws (item 8 - part 200-0267 on page 2) as shown below at the bottom of the back cover.

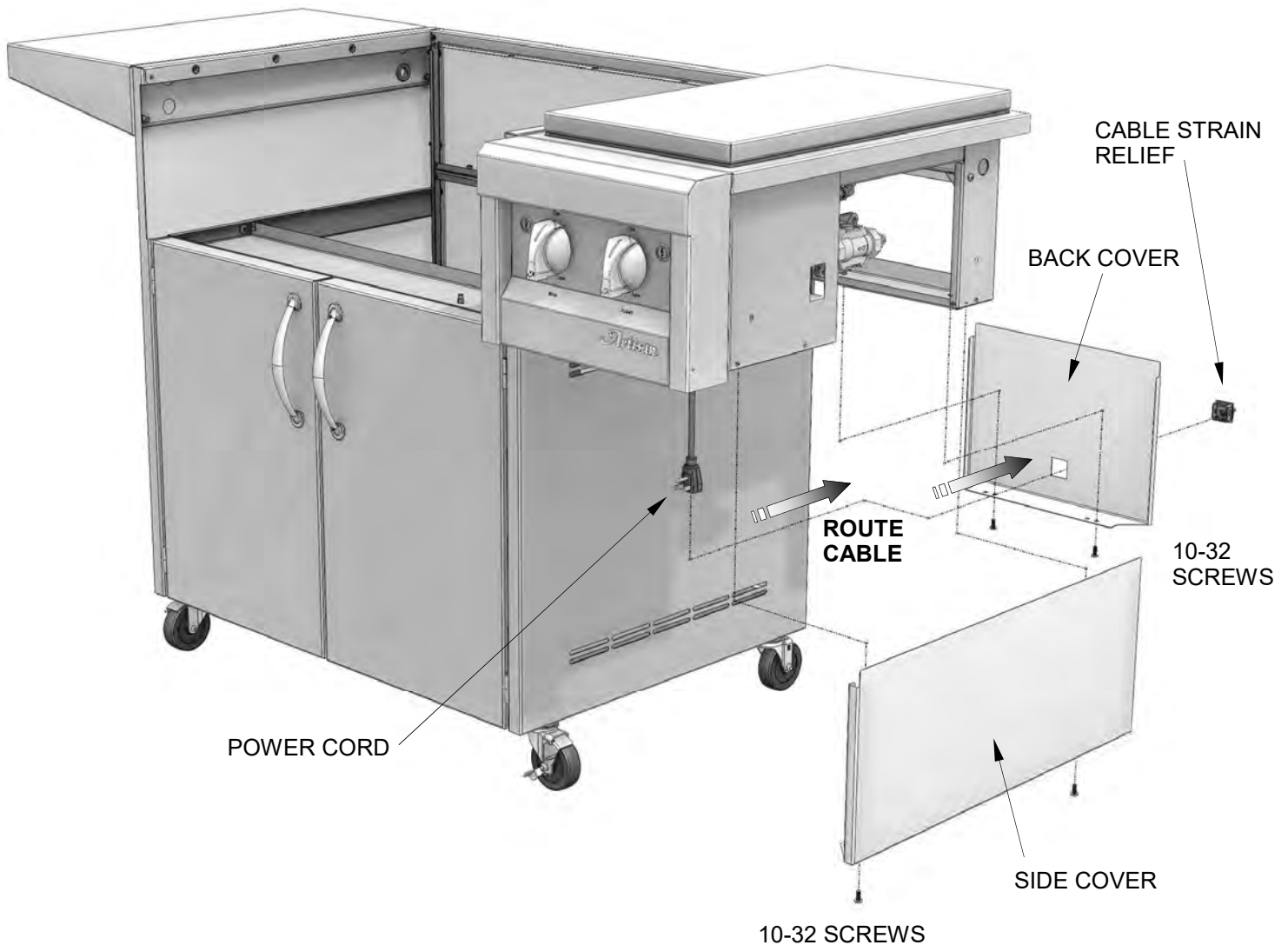


Figure # 8

The installation of the ARTP-SB2 Dual Side Burner with the ARTPC-SB2M mounting bracket allows the side burner unit to be mounted to the left or right side of the ARTP BBQ cart.

When the installation is finished the unit should look similar to the unit shown below.



Artisan[™] ARTPC-SB2M Assembly Instructions

Artisan[™] USA Grills

All Rights Reserved • 10/2018