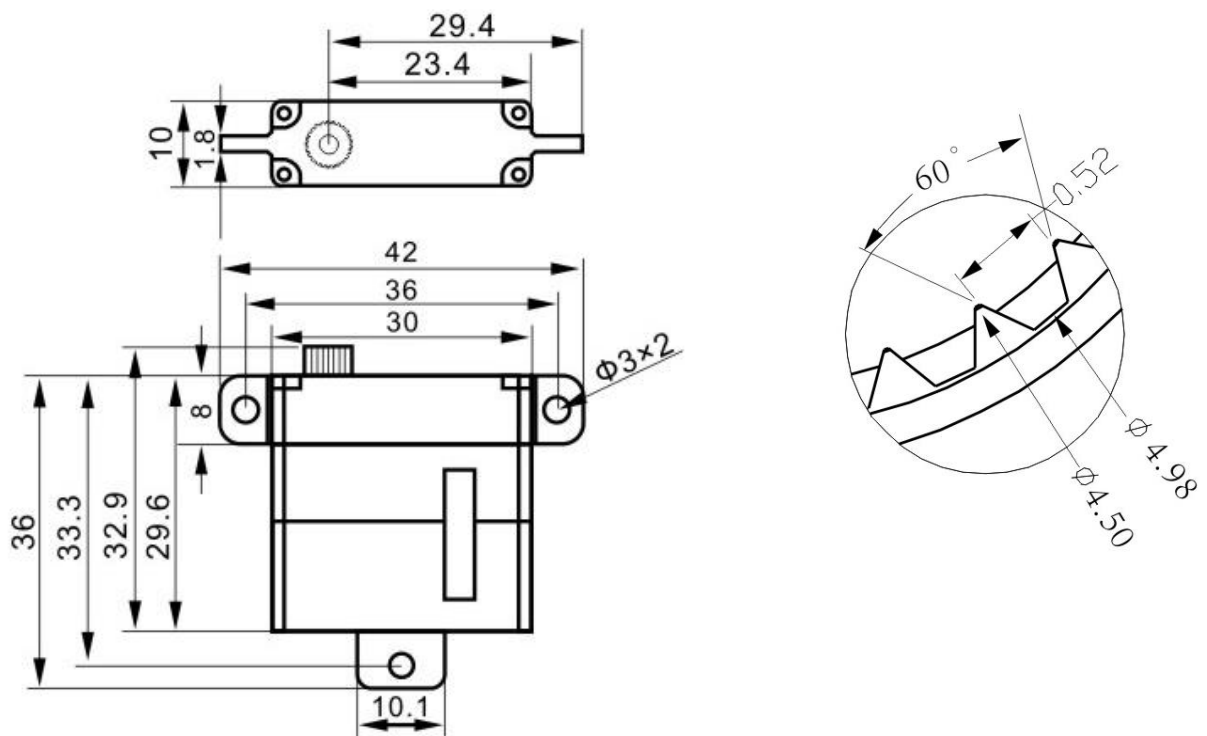


## X10 mini wing servo

### Technical Specification



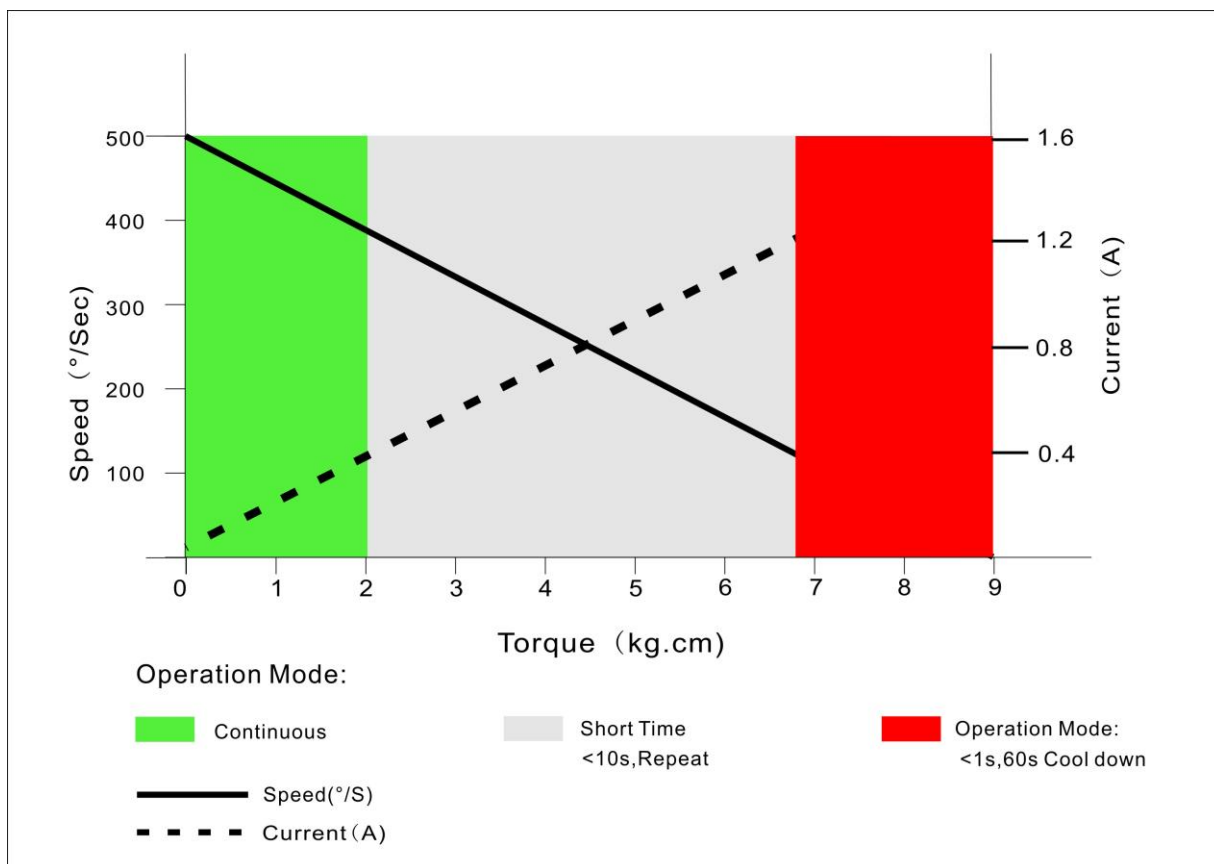
## Operating Data

	<b>X10 mini</b>
<b>Operation Voltage(rated)</b>	DC7.4V
<b>Operation Voltage Range</b>	DC4.8V-8.4V
<b>Torque</b>	4.5Kg.cm@4.8V
	5.5Kg.cm@6.0V
	6.8Kg.cm@7.4V
	7.50Kg.cm@8.4V
<b>Speed</b>	0.16sec/60 °@4.8V
	0.14sec/60 °@6.0V
	0.12sec/60 °@7.4V
	0.10sec/60 °@8.4V
<b>Travel Angle</b>	±50° when 1000-2000us
<b>Operating Temperature Range</b>	-10°C……+65°C

## Performance

**X10 mini**

**@7.4V**



## PWM Command Signal

PWM	X10 mini
Signal Voltage	TTL-Level: HIGH:min.3.3V,max.5.0V TTL-Level: Low:min.0.0V,max.1.5V
Pulse Lengths	900-2100us
Pulse Lengths for Position $-50^{\circ}$ /center/ $+50^{\circ}$	1000us/1500us/2000us
Resolution	$\leq 2\mu s$

### Materials and protective features

Case Material	Aluminum Alloy
Motor Type	Coreless
Gear Set Material	Hardened Steel
Position Sensor	Potentiometer
Position Feedback	Optional (PWM signal, 305Hz,5mA)
Connecting Cable	26AWG

### Dimensions

Case Dimensions	30*10*30mm
Weight	23g