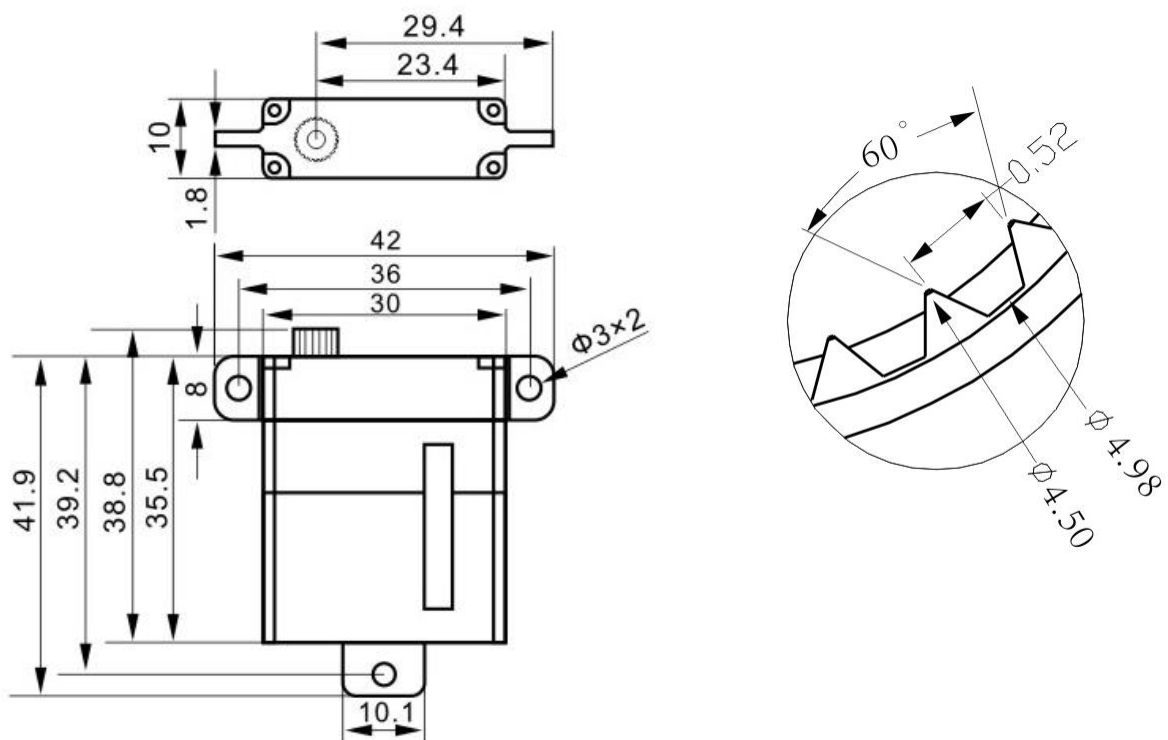


X10 wing servo

Technical Specification



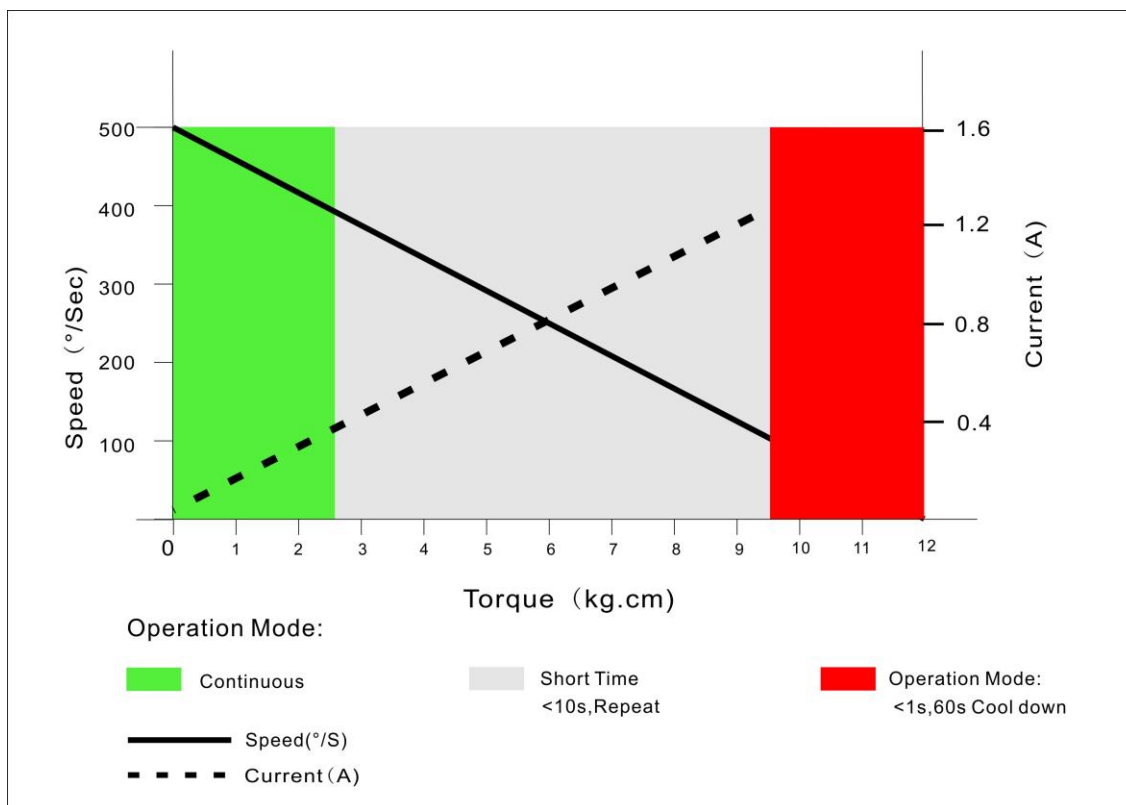
Operating Data

	X10
Operation Voltage(rated)	DC7.4V
Operation Voltage Range	DC4.8V-8.4V
Torque	6.2Kg.cm@4.8V
	7.5Kg.cm@6.0V
	9.5Kg.cm@7.4V
	10.8Kg.cm@8.4V
Speed	0.16sec/60 °@4.8V
	0.14sec/60 °@6.0V
	0.12sec/60 °@7.4V
	0.10sec/60 °@8.4V
Travel Angle	± 50° when 1000-2000us
Operating Temperature Range	-10℃……+65℃

Performance

X10

@7.4V



PWM Command Signal

PWM	X10
Signal Voltage	TTL-Level: HIGH:min.3.3V,max.5.0V TTL-Level: Low:min.0.0V,max.1.5V
Pulse Lengths	900-2100us
Pulse Lengths for Position -50° /center/ $+50^{\circ}$	1000us/1500us/2000us
Resolution	$\leq 2\mu s$

Materials and protective features

Case Material	Aluminum Alloy
Motor Type	Coreless
Gear Material	Hardened Steel
Position Sensor	Potentiometer
Position Feedback	Optional (PWM signal, 305Hz,5mA)
Connecting Cable	26AWG

Dimensions

Case Dimensions	30*10*35.5mm
Weight	28g