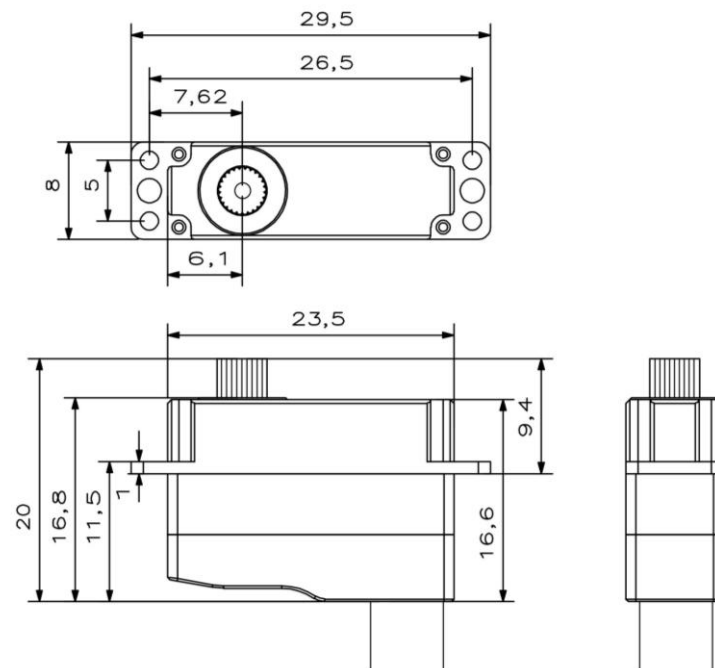


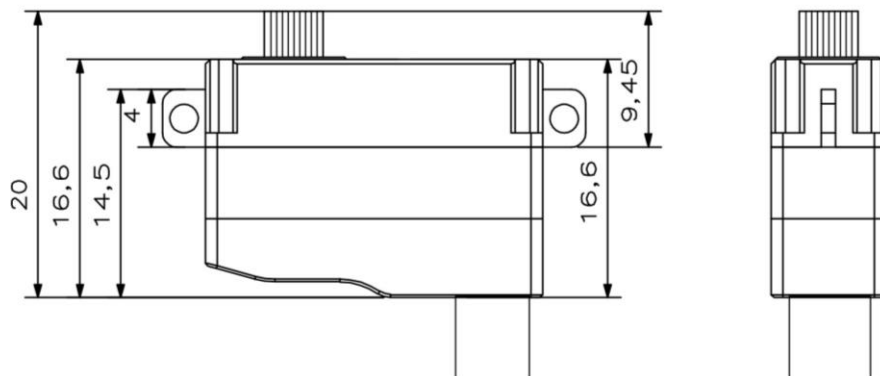
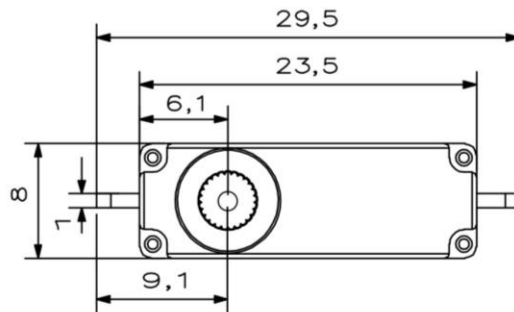
X08 / X08H / X08N

Technical Specification

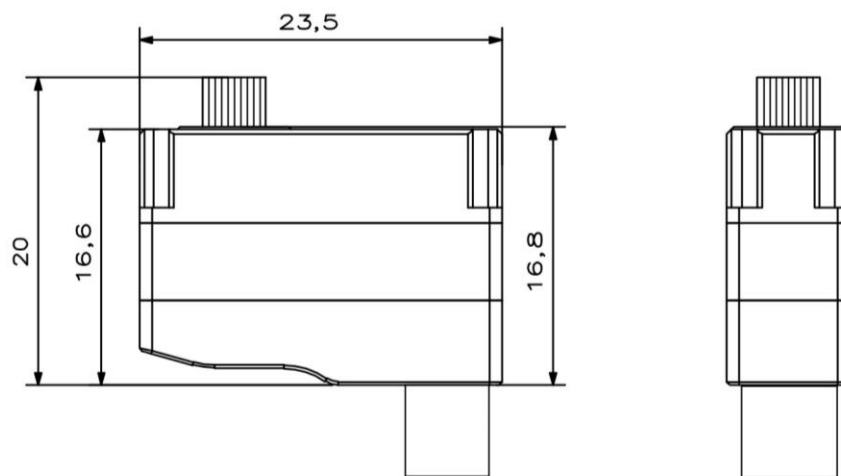
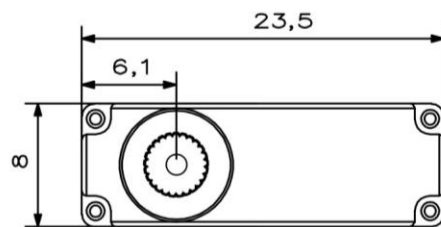
X08



X08H



X08N

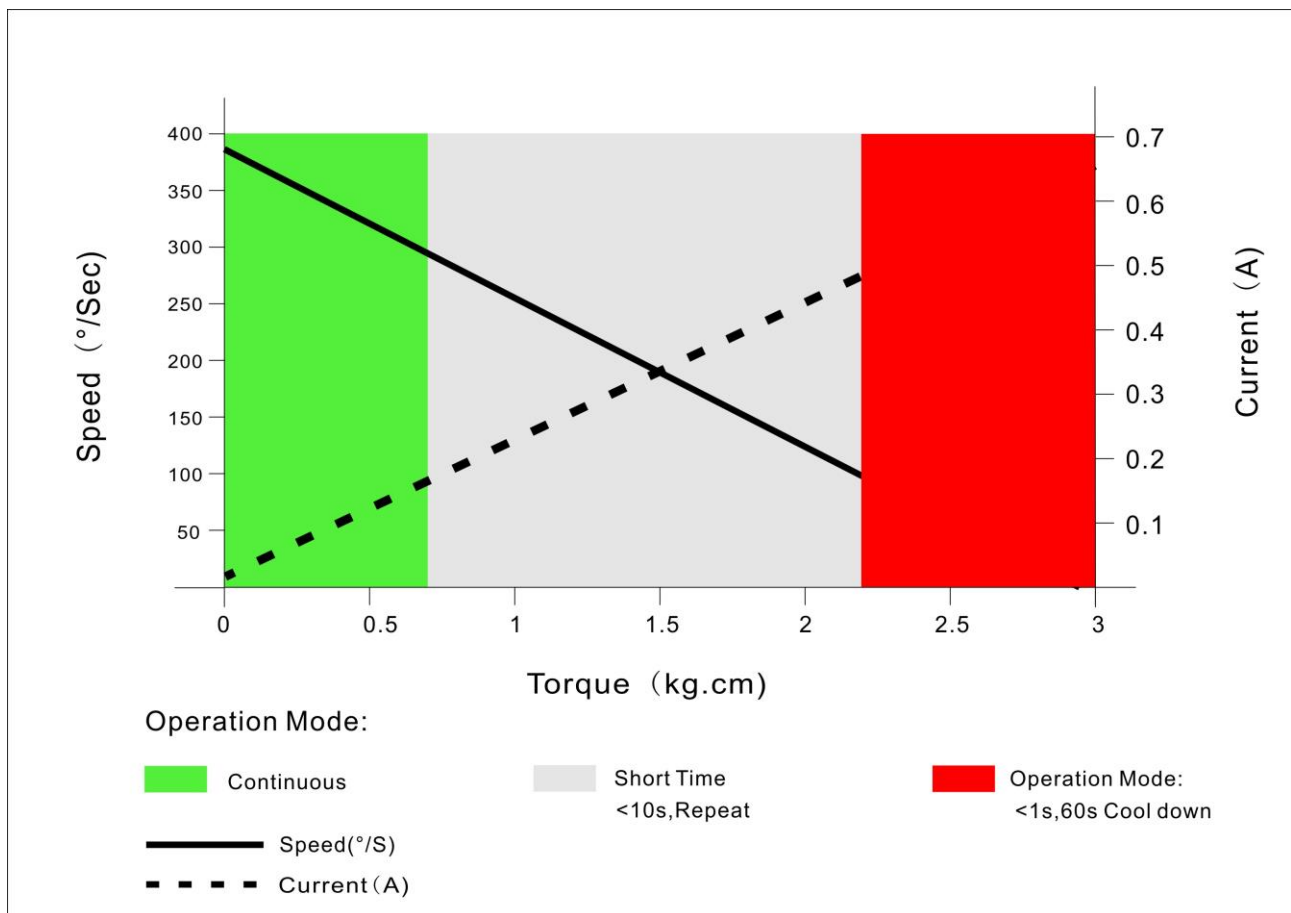


Operating Data

| | X08/ X08H/ X08N |
|------------------------------------|------------------------|
| Operation Voltage(rated) | DC6.0V |
| Operation Voltage Range | DC3.8V-8.4V |
| Torque | 1.4Kg.cm@3.8V |
| | 2.2Kg.cm@6.0V |
| | 2.8Kg.cm@8.4V |
| Speed | 0.18sec/60 °@3.8V |
| | 0.15sec/60 °@6.0V |
| | 0.09sec/60 °@8.4V |
| Travel Angle | ± 60° when 1000-2000us |
| Operating Temperature Range | -10℃……+65℃ |

Performance

X08 / X08H / X08N @6.0V



PWM Command Signal

| PWM | X08/ X08H/ X08N |
|---|---|
| Signal Voltage | TTL-Level: HIGH:min.3.3V,max.5.0V TTL-Level: Low:min.0.0V,max.1.5V |
| Pulse Lengths | 1000-2000us |
| Pulse Lengths for Position -60° /center/ $+60^{\circ}$ | 1000us/1500us/2000us |
| Resolution | $\leq 2\mu\text{s}$ |

Materials and protective features

| | |
|------------------|----------------|
| Case Material | Aluminum Alloy |
| Motor Type | Coreless |
| Gear Material | Hardened Steel |
| Position Sensor | Potentiometer |
| Connecting Cable | 28AWG |

Dimensions

| | |
|-----------------|---------------|
| Case Dimensions | 23.5*8*16.8mm |
| Weight | 8g |