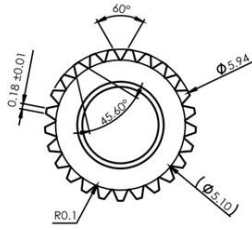
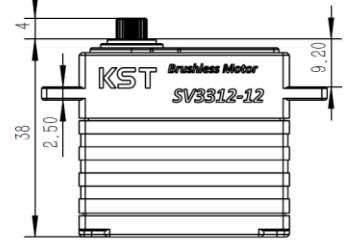
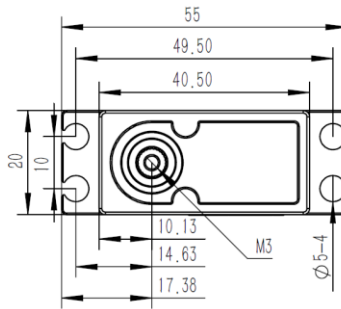


SV3312-12 Technical Specification



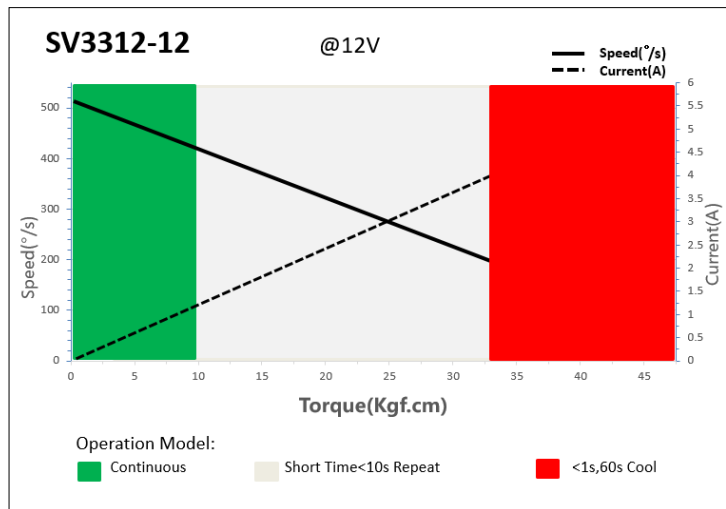
25T 6mm Output Shaft Spline



1. Operating Data

2. Performance

SV3312-12	
Rated Voltage	DC12V
Voltage Range	DC8.0V-13.0V
Stalling Torque	28Kgf.cm@8.4V
	33Kgf.cm@12V
	38Kgf.cm@13V
No-load Speed	0.16sec/60°@8.4V
	0.12sec/60°@12V
	0.10sec/60°@13V
Working Frequency	1520us/333Hz
Default Travel Angle	±60°=120° Total
Temperature Range	-20°C+65°C
Soft Start	Programmable
Programmable	Yes
Case Material	Aluminum Alloy
Motor Type	Brushless DC Motor
Gear Set Material	Hardened Steel
Position Sensor	Potentiometer
Ball Bearing	2BB
Case Dimensions	40.5mm*20mm*38mm±0.2mm
Weight	70g±10%



3. Command signal

PWM Command Interface

Signal Voltage	HIGH: min.3.3V, max.5.0V Low: min.0.0V, max.1.5V
Pulse Lengths	900us-2100us
Pulse Lengths for Position	1000us/1500us/2000us -50°/ 0°/+50°

4. Electrical Connection

 3 2 1	Pin Assignment			
	1	Orange	Signal	PWM Command
	2	Red	DC+	Supply Voltage
	3	Brown	DC-	Supply Ground