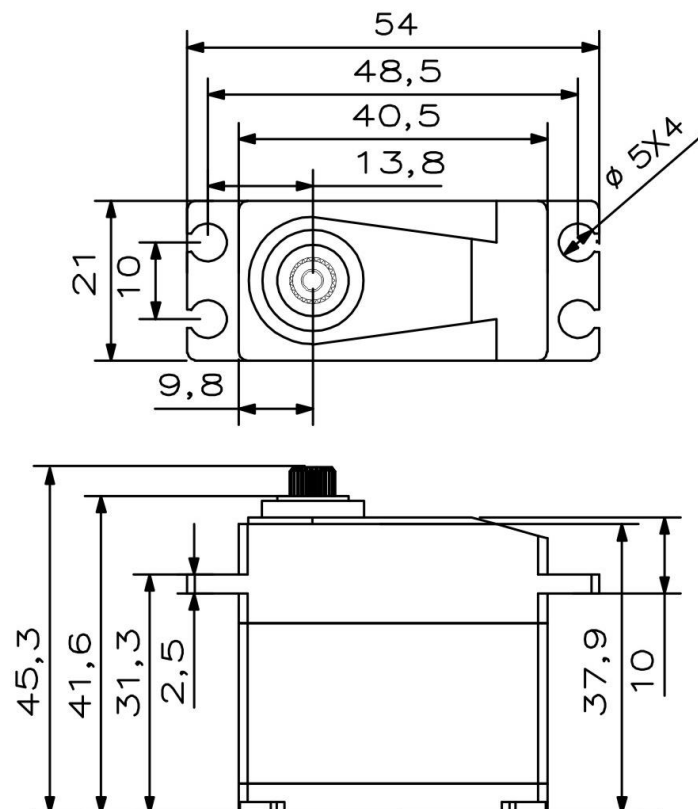
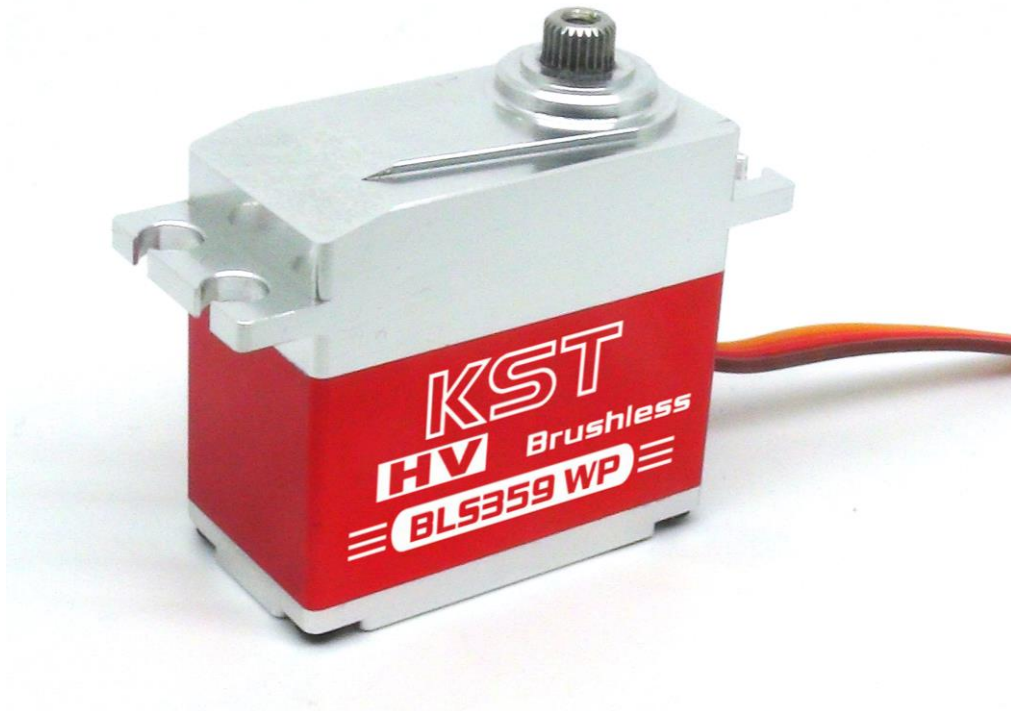


BLS359WP

Technical Specification



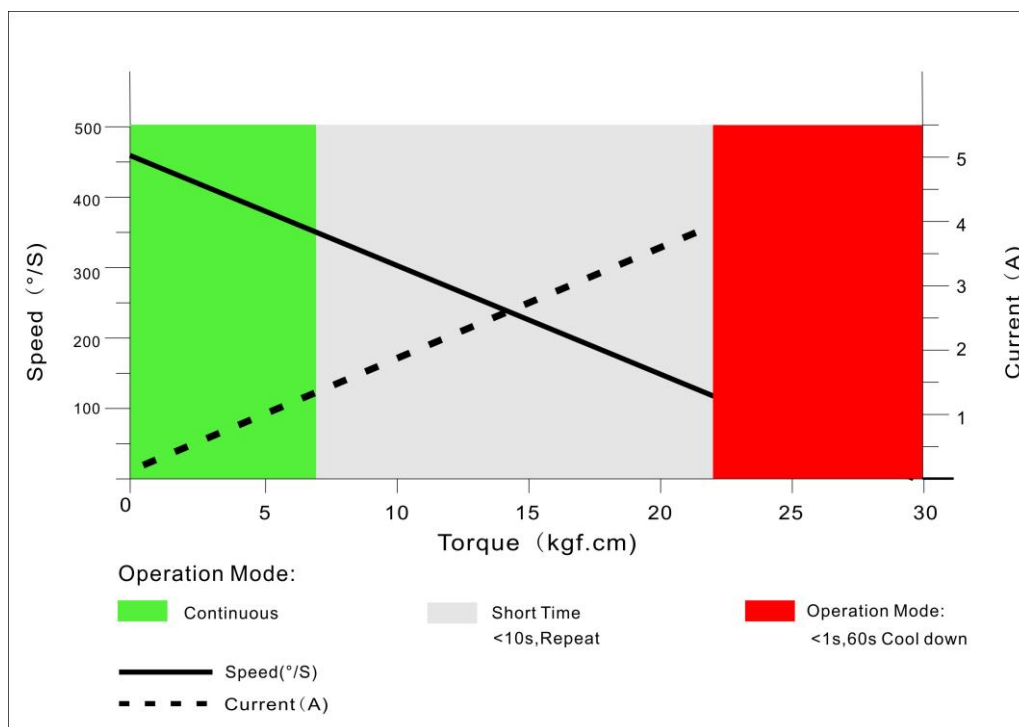
Operating Data

BLS359WP	
Operation Voltage(rated)	DC7.4V
Operation Voltage Range	DC6.0-8.4V
Torque	18kg.cm@6.0V
	22Kg.cm@7.4V
	28kg.cm@8.4V
Speed	0.15sec/60°@6.0V
	0.13sec/60°@7.4V
	0.11sec/60°@8.4V
Travel Angle	±50° when 1000-2000us
Operating Temperature Range	-20℃……+65℃

Performance

BLS359WP

@7.4V



PWM Command Signal

PWM	BLS359WP
Signal Voltage	TTL-Level: HIGH:min.3.3V,max.5.0V TTL-Level: Low:min.0.0V,max.0.5V
Pulse Lengths	900-2100us
Pulse Lengths for Position -50° /center/+50°	1000us/1500us/2000us
Resolution	<=2us

Materials and protective features

Case Material	Aluminum Alloy
Salt Water Resistance	IP67
Motor Type	Brushless
Gear Set Material	Hardened Steel
Position Sensor	Potentiometer
Connecting Cable	22AWG

Dimensions

Case Dimensions	40.5*21*41.6mm
Weight	84g