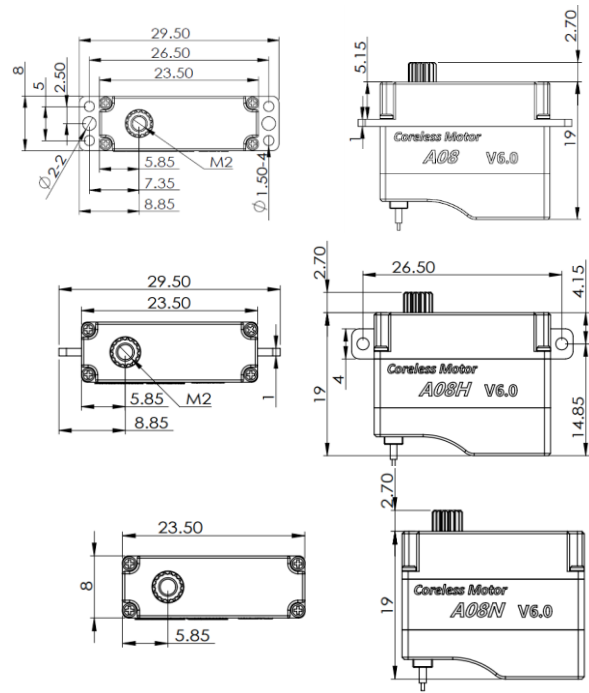
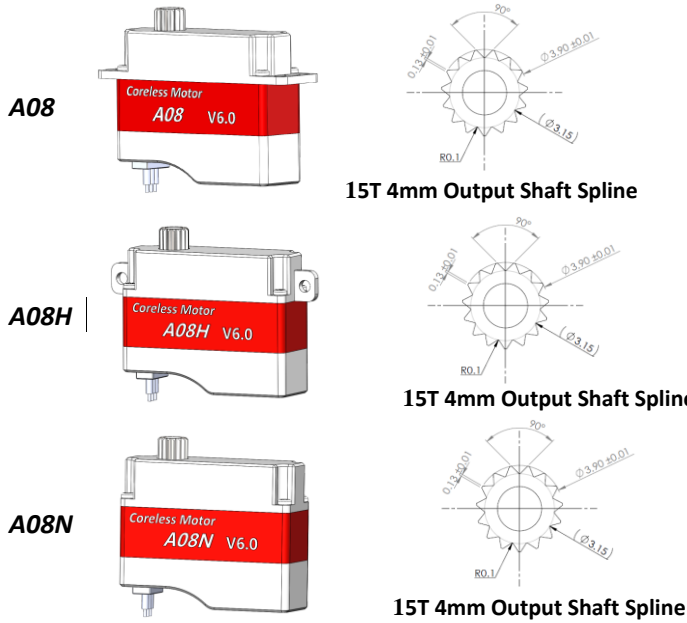


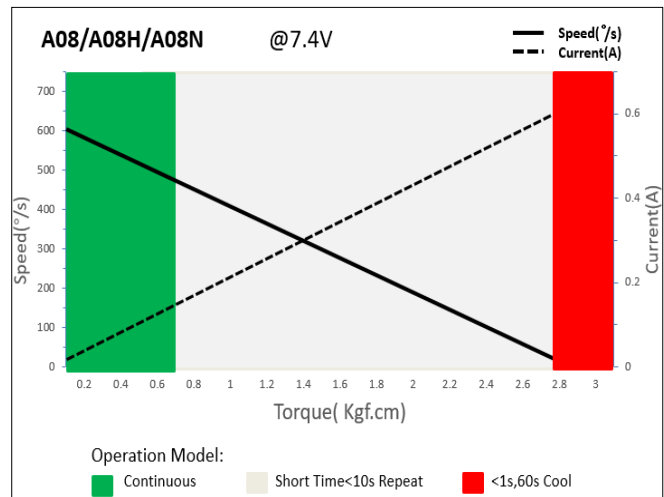
A08 Technical Specification



1. Operating Data

A08 /A08H/A08N	
Rated Voltage	DC7.4V
Voltage Range	DC3.8V-7.4V
Torque	1.40Kgf.cm@3.8V
	2.20Kgf.cm@6.0V
	2.80Kgf.cm@7.4V
	3.20Kgf.cm@8.4V
Speed	0.20sec/60°@3.8V
	0.13sec/60°@6.0V
	0.10sec/60°@7.4V
	0.09sec/60°@8.4V
Working Frequency	1520us/333Hz
Default Travel Angle	±60° = 120° Total
Temperature Range	-10°C.....+65°C
Case Material	Aluminum Alloy
Motor Type	Coreless DC Motor
Gear Set Material	Hardened Steel
Position Sensor	Potentiometer
Ball Bearing	2BB
Case Dimensions	23.5mm*8mm*19mm±0.2mm
Weight	7g±10%

2. Performance



3. Command signal

PWM Command Interface

Signal Voltage	HIGH: min.3.3V, max.5.0V Low: min.0.0V, max.1.5V
Pulse Lengths	900us-2100us
Pulse Lengths for Position -60° 0°+60°	1000us/1500us/2000us

4. Electrical Connection

	Pin Assignment			
	1	Orange	Signal	PWM Command
	2	Red	DC+	Supply Voltage
	3	Brown	DC-	Supply Ground