

BOMBARDIER

ski-doo

PARTS MANUAL



1972-1974 ALL MODELS

**ELAN, OLYMPIC, VALMONT, ALPINE, TNT,
EVEREST, ELITE, SKANDIC, NORDIC,**

GENERAL INFORMATION PARTS CATALOGUE

In 1974, ELAN 249 should read 248 D-L (De luxe) 249 is in 1973 Only

SYMBOLS USED IN THIS CATALOG

- AR — In "Quantity" column means "Use as Required"
- N — Before description means that it is a "New Part"
- — After "Item No" means in "Amendment" in that line
- * — In carburetor section, indicates contents of "Repair Parts Kit"
- (K) — In carburetor section, indicates contents of "Diaphragm & Gasket Set"
- D — In carburetor section, indicates a difference in "Part No." columns

INFORMATION GÉNÉRALE CATALOGUE DE PIÈCES

En 1974, l'ELAN 248 D-L (de luxe) remplace le 249 (pour 1973 seulement)

SYMBOLES UTILISÉS DANS CE CATALOGUE

- AR — Dans la colonne "Quantité" signifie "A volonté"
- N — Avant la description signifie "Nouvelle pièce"
- — Après "Item no" annonce un changement sur cette ligne
- * — Dans la section carburateur désigne le contenu du "Nécessaire de réparation"
- (K) — Dans la section carburateur désigne le contenu du "Ensemble joint et diaphragme"
- D — Dans la section carburateur annonce une différence dans les numéros de pièces

1948

...

...

...

TRACK - AXLE (ELAN)
 292 (1 Cyl.) in 1972 Only 294 (2 Cyl.) in 1974 Only

1974

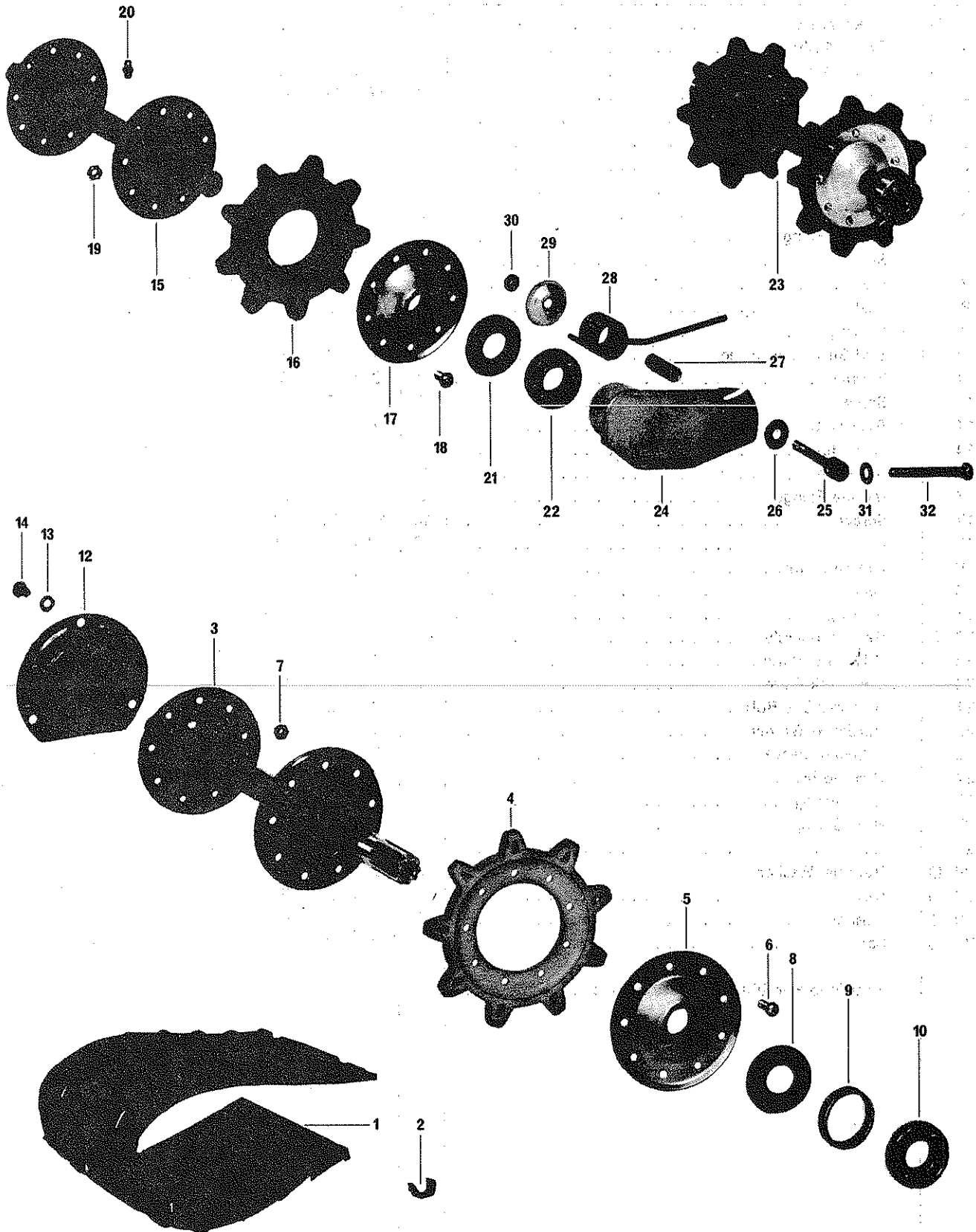
ITEM NO.	DESCRIPTION	QUANTITY					PART NO.		
		247	248	249	292	294	1974	1973	1972
1 <input type="checkbox"/>	Track Ass'y	1			1		570 0006	570 0006	570 0006
1 <input type="checkbox"/>	Track Ass'y		1	1			570 0006	570 0006	
1 <input type="checkbox"/>	Track Ass'y					1	570 0035		
2	Insert	AR	AR	AR	AR		570 0003		
2 <input type="checkbox"/>	Insert					AR	570 0108		
3	Drive Axle	1	1				501 0038	501 0038	501 0038
3	Drive Axle			1		1	501 0073	501 0073	
3	Drive Axle				1				501 0035
4	Sprocket	2	2	2	2	2	572 0102	572 0102	572 0102
5	Mobile Flange	2	2	2	2	2	501 0036	501 0036	501 0036
6	Screw	18	18	18	18	18	320 9102	320 9102	320 9102
7	Nut	18	18	18	18	18	386 6119	386 6119	386 6119
8	Seal	2	2	2	2	2	581 1017	581 1017	581 1017
9	Bearing	2	2	2	2	2	405 4002	405 4002	405 4002
11	End Bearing Housing	1	1	1	1	1	501 0032	501 0032	505 0032
12	Washer	3	3	3	3	3	392 0019	392 0019	392 0019
13	Screw	3	3	3	3	3	300 0001	300 0001	300 0001
14	Rear Hub	1	1		1		503 0155	503 0155	503 0155
14	Rear Hub			1			503 0213	503 0213	
15	Sprocket	2	2	2	2		570 0118	570 0118	570 0101
16	Mobile Flange	2	2	2	2		501 0036	501 0036	501 0036
17	Screw	18	18	18	18		320 1062	320 1062	320 1062
18	Nut	18	18	18	18		387 3013	387 3013	387 3013
19	Grease Fitting	2	2	2	2		408 2001	408 2001	408 2001
20	Seal	2	2	2	2		570 0301	570 0301	570 0301
21	Bearing	2	2	2	2		405 4002	405 4002	405 4002
22 <input type="checkbox"/>	Rear Hub Ass'y	1	1	1	1		581 0278	581 0278	581 0254
23	R.H. Link Plate	1	1	1	1		503 0068	503 0068	503 0068
23	L.H. Link Plate	1	1	1	1		503 0069	503 0069	503 0069
24	Adjuster Eye Bolt	2	2	2	2		503 0028	503 0028	503 0028
25	Hardened Washer	2	2	2	2		503 0044	503 0044	503 0044
26	Adjuster Sleeve	2	2	2	2		503 0029	503 0029	503 0029
27	R.H. Spring	1	1		1		414 0670	414 0670	414 0670
27	L.H. Spring	1	1		1		414 0671	414 0671	414 0671
27	R.H. Spring			1			503 0282	503 0282	
27	L.H. Spring			1			503 0283	503 0283	
28 <input type="checkbox"/>	Retainer Washer	2	2	2	2		503 0016	503 0016	503 0016
29 <input type="checkbox"/>	Nut	2	2	2	2		389 8037	389 8037	389 8037
30 <input type="checkbox"/>	Washer	2	2	2	2		399 9007	399 9007	399 9007
31 <input type="checkbox"/>	Screw	2	2	2	2		309 8027	309 8027	309 8027
	Rear Hub For 294 is W/Section Slide								

TRACK & AXLES (OLYMPIQUE)

1970-1971

1 OF 2 PAGES

4877
CA

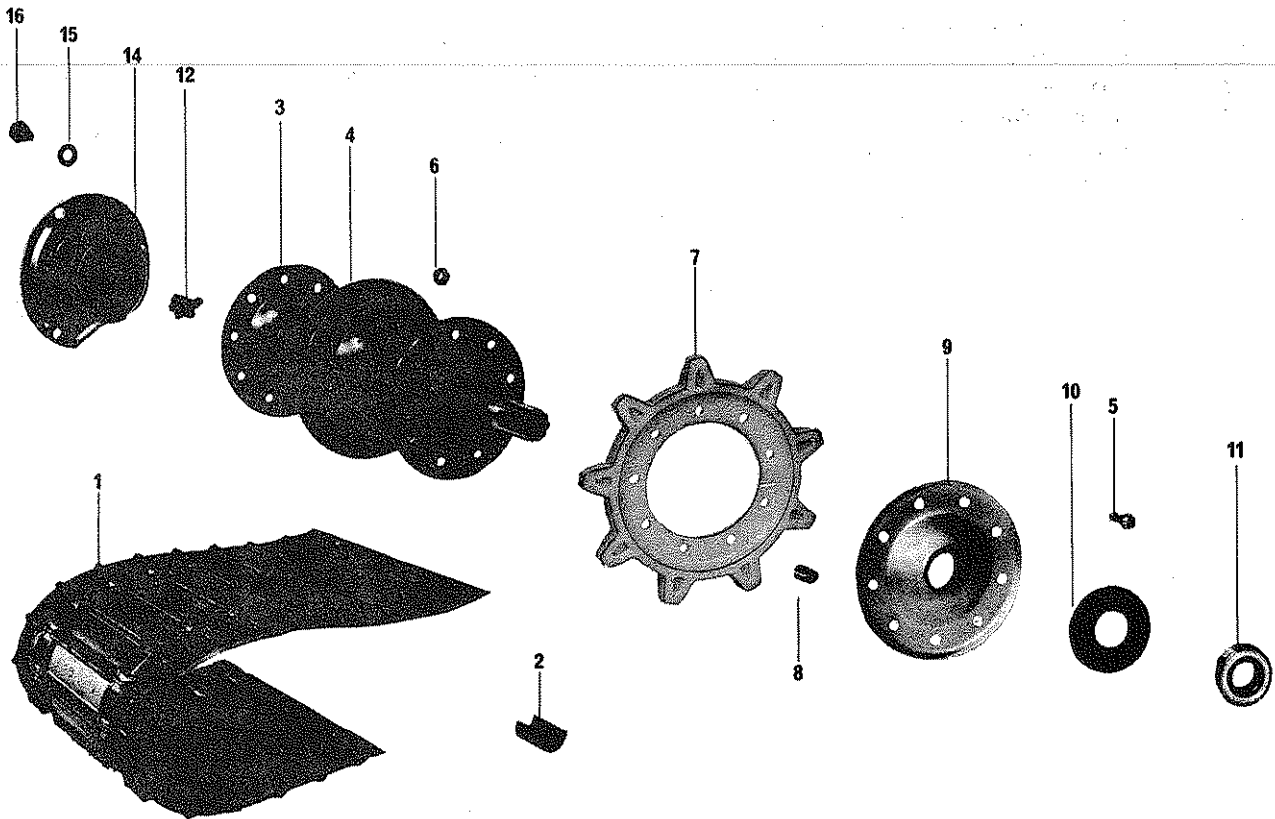
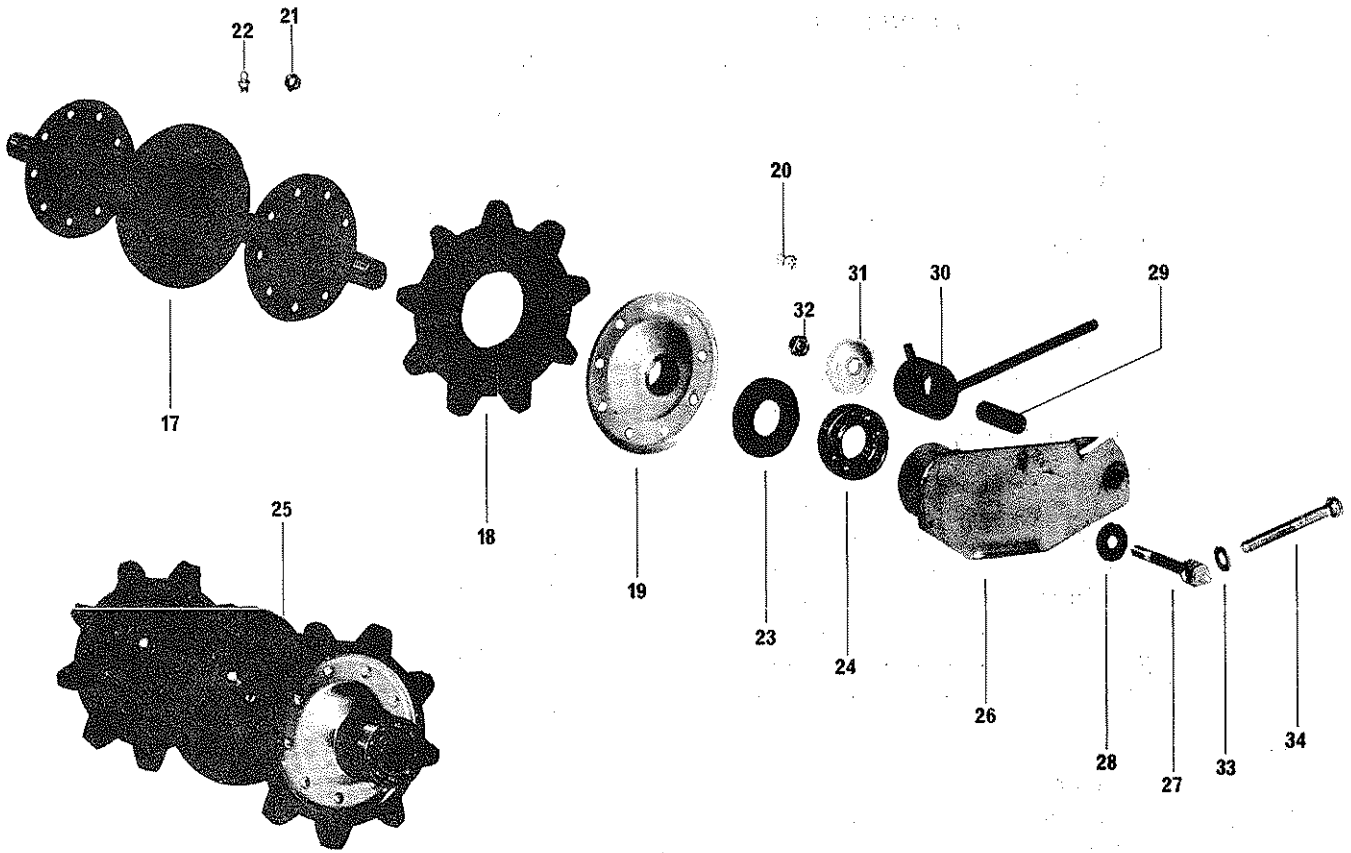


TRACK & AXLES (OLYMPIQUE)
337 in 1973-72 Only 434 in 1973 Only

1974

ITEM NO.	DESCRIPTION	QUANTITY					PART NO.		
		302	337	338	401	434	1974	1973	1972
1	Track W/Insert	1	1	1	1	1	570 0006	570 0006	570 0006
2	Track Insert	AR	AR	AR	AR	AR	570 0003	570 0003	570 0003
3 □	Drive Axle	1	1				501 0073	501 0073	501 0035
3	Drive Axle			1	1	1	501 0057	501 0057	501 0037
4	Sprocket	2	2	2	2	2	572 0102	572 0102	572 0102
5	Mobile Flange	2	2	2	2	2	501 0036	501 0036	501 0036
6	Screw	18	18	18	18	18	320 9102	320 9102	320 9102
7	Nut	18	18	18	18	18	386 6119	386 6119	386 6119
8	Seal	2	2	2	2	2	581 1017	581 1017	581 1017
9	Spacer			1	1	1	501 0066	501 0066	501 0015
10	Bearing	2	2	2	2	2	405 4002	405 4002	405 4002
12	End Bearing Housing	1	1	1	1	1	501 0032	501 0032	501 0032
13	Washer	3	3	3	3	3	392 0019	392 0019	392 0019
14	Screw	3	3	3	3	3	300 0000	300 0000	300 0000
15	Rear Hub	1	1	1	1	1	503 0213	503 0213	503 0155
16	Sprocket	2	2	2	2	2	570 0118	570 0118	570 0101
17	Mobile Flange	2	2	2	2	2	501 0036	501 0036	501 0036
18	Screw	18	18	18	18	18	320 1062	320 1062	320 1062
19	Nut	18	18	18	18	18	387 3013	387 3013	387 3013
20	Grease Fitting	2	2	2	2	2	408 2001	408 2001	408 2001
21	Seal	2	2	2	2	2	570 0301	570 0301	570 0301
22	Bearing	2	2	2	2	2	405 4002	405 4002	405 4002
23	Rear Hub Ass'y	1	1	1	1	1	581 0278	581 0278	581 0254
24	R.H. Link Plate	1	1	1	1	1	503 0071	503 0071	503 0071
24	L.H. Link Plate	1	1	1	1	1	503 0072	503 0072	503 0072
25	Adjuster Eye Bolt	2	2	2	2	2	503 0074	503 0074	503 0074
26	Hardened Washer	2	2	2	2	2	503 0079	503 0079	503 0079
27	Adjuster Sleeve	2	2	2	2	2	503 0075	503 0075	503 0075
28	R.H. Spring	1	1	1	1	1	503 0088	503 0088	503 0088
28	L.H. Spring	1	1	1	1	1	503 0089	503 0089	503 0089
29	Retainer Washer	2	2	2	2	2	503 0076	503 0076	503 0076
30	Nut	2	2	2	2	2	389 8036	389 8036	389 8036
31	Washer	2	2	2	2	2	399 9006	399 9006	399 9006
32	Screw	2	2	2	2	2	309 8037	309 8037	309 8037

TRACK & AXLES (NORDIC)

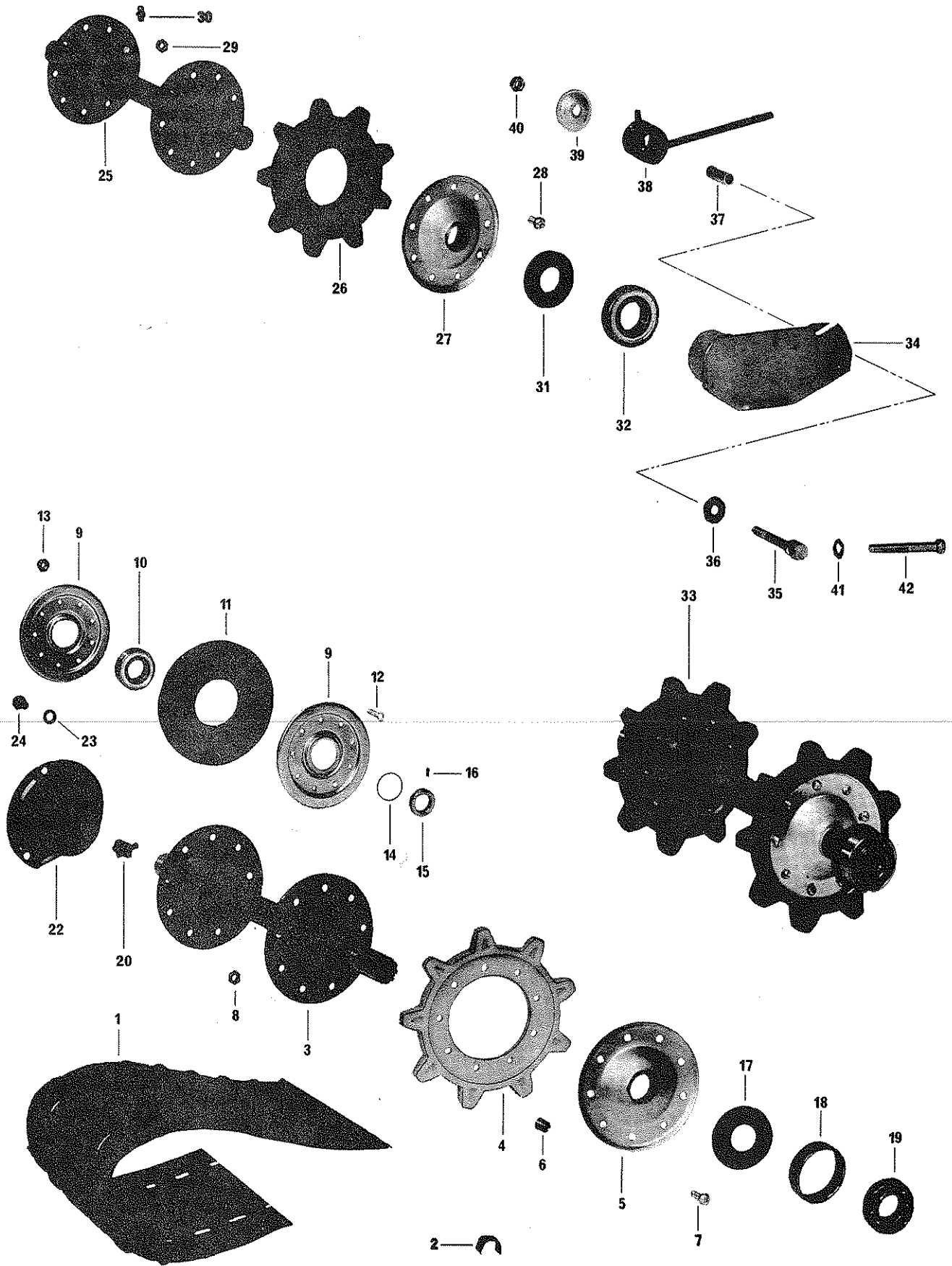


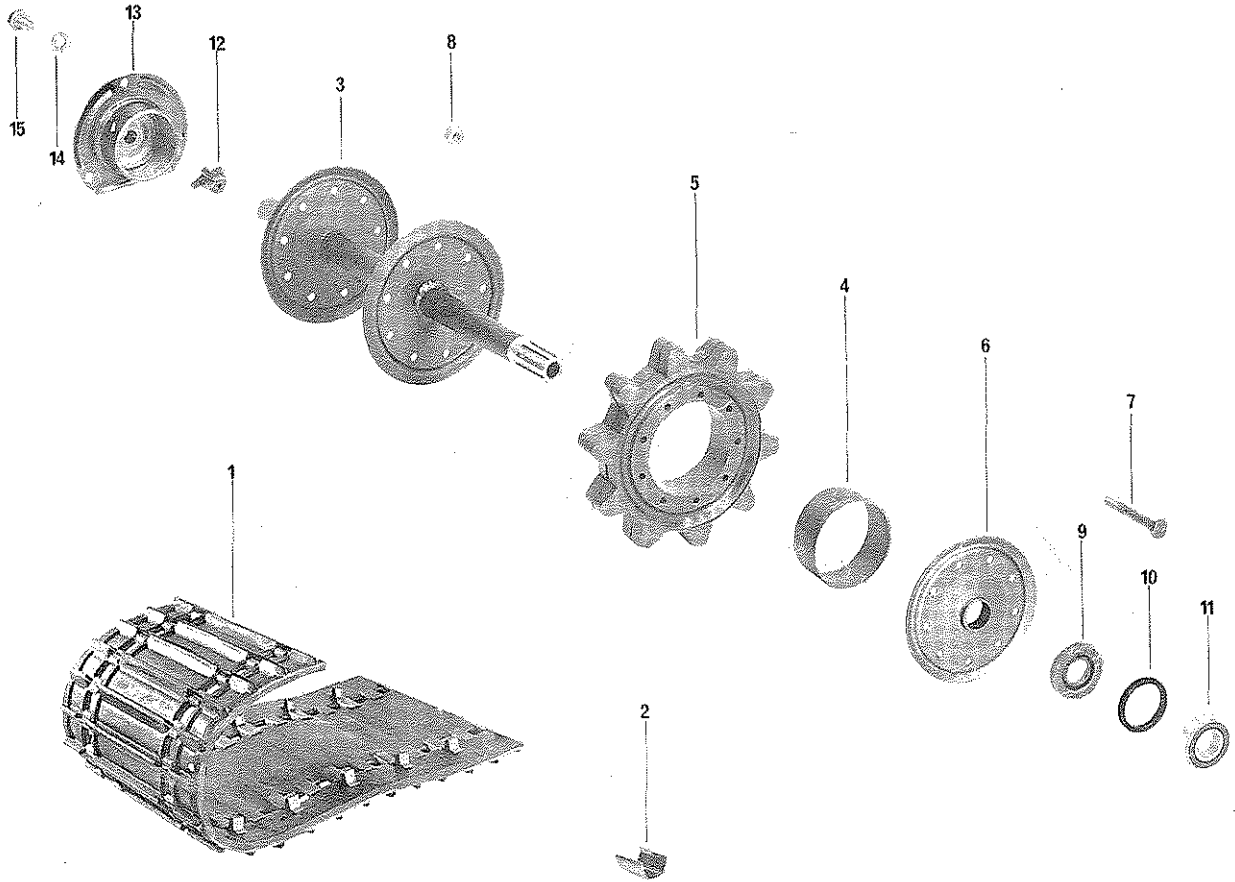
TRACK & AXLES (VALMONT - ALPINE)
In 1974 Alpine 434ER - 640ER only

1974

ITEM NO.	DESCRIPTION	QUANTITY			PART NO.		
		V434	A434	A640	1974	1973	1972
1	Track Ass'y	2				570 0006	570 0006
1	Track Ass'y		2	2	570 0014	570 0014	570 0014
2	Insert	AR	AR	AR	570 0003	570 0003	570 0003
3	Drive Axle	2	2	2	501 0043	501 0043	501 0043
4	Sprocket	4	4	4	572 0102	572 0102	572 0102
5	Mobile Flange	4	4	4	501 0036	501 0036	501 0036
6	Screw	36	36	36	320 9102	320 9102	320 9102
7	Nut	36	36	36	386 6119	386 6119	386 6119
8	Seal	4	4	4	581 1017	581 1017	581 1017
9	Bearing	4	4	4	405 4002	405 4002	405 4002
11	Spacer	4	4	4	504 0039	504 0039	504 0039
12	Sprocket 46 Th.	1	1		504 0234	504 0234	
12	Sprocket 36 Th.	1					504 0217
12	Sprocket 39 Th.		1				504 0014
12	Sprocket 38 Th.			1	504 0235	504 0235	504 0099
13	End Bearing Housing	2	2	2	501 0059	501 0059	501 0059
14	Screw	4	4	4	300 1000	300 1000	300 1000
15	Washer	4	4	4	399 8007	399 8007	399 8007
16	Screw	2	2	2	300 1001	300 1001	300 1001
17	Nut	2	2	2	386 6019	386 6019	386 6019
18	Rear Hub	2	2	2	503 0213	503 0213	503 0155
19	Sprocket	4	4		570 0118	570 0118	570 0101
19	Sprocket			4	570 0102	570 0102	570 0102
20	Mobile Flange	4	4	4	501 0036	501 0036	501 0036
21	Screw	36	36	36	320 1062	320 1062	320 1062
22	Nut	36	36	36	387 3013	387 3013	387 3013
23	Grease Fitting	4	4	4	408 2001	408 2001	408 2001
24	Seal	4	4	4	570 0301	570 0301	570 0301
25	Bearing	4	4	4	405 4002	405 4002	405 4002
26	Rear Hub Ass'y	2	2	2	581 0278	581 0278	581 0254
27	R.H. Link Plate	2	2	2	503 0071	503 0071	503 0204
27	L.H. Link Plate	2	2	2	503 0072	503 0072	503 0205
28	Adjuster Eye Bolt	4	4	4	503 0074	503 0074	503 0074
29	Hardened Washer	4	4	4	503 0079	503 0079	503 0079
30	Adjuster Sleeve	4	4	4	503 0075	503 0075	503 0075
31	R.H. Spring	2	2	2	503 0090	503 0090	503 0090
31	L.H. Spring	2	2	2	503 0091	503 0091	503 0091
32	Retainer Washer	4	4	4	503 0076	503 0076	503 0076
33	Nut	4	4	4	389 8036	389 8036	389 8036
34	Screw	4	4	4	309 8037	309 8037	309 8037

TRACK & AXLES (OLYMPIQUE-SLIDE)

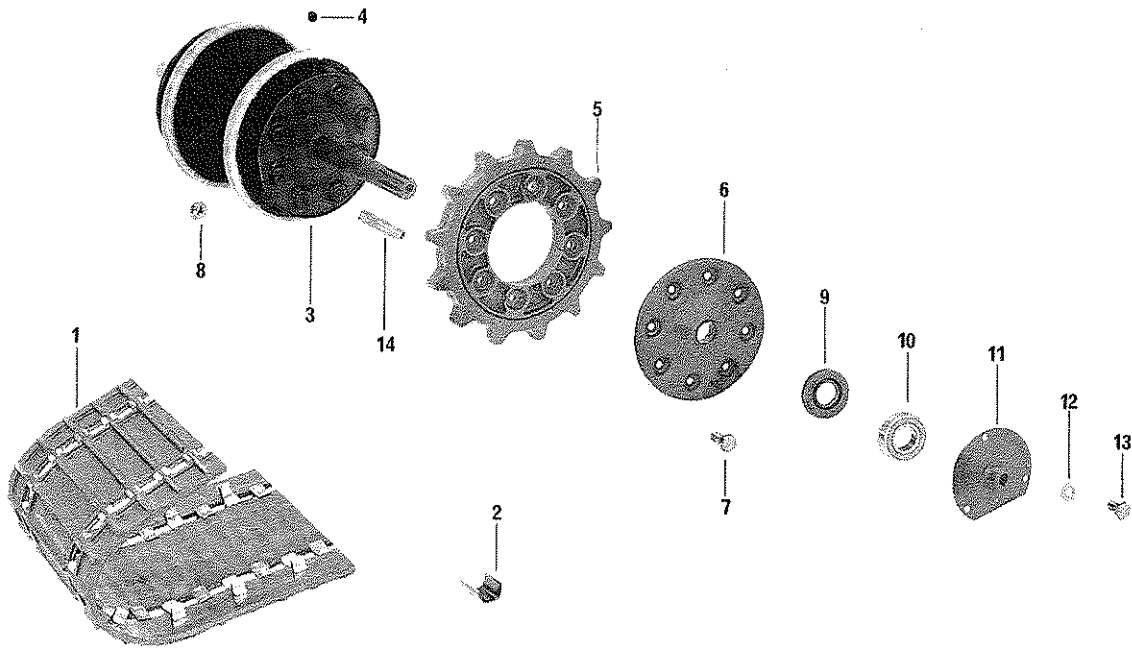




ITEM NO.	DESCRIPTION	QUANTITY			PART NO.		
		343	435	EVT	1974	1973	1972
1	N Track Ass'y	1	1		570 0046		
1	N Track Ass'y			1	570 0045		
2	N Track Cleat	AR	AR	AR	570 0051		
2	N Cleat Guide (every 3 Pitch)	AR	AR	AR	570 0044		
3	N Drive Axle	1	1	1	501 0092		
4	N Spacer	2	2	2	501 0091		
5	N Sprocket	2	2	2	570 0124		
6	N Mobile Flange	2	2	2	501 0090		
7	N Screw	18	18	18	300 5007		
8	Nut	18	18	18	386 9003		
9	Seal	2	2	2	581 1017		
10	Spacer	1	1	1	501 0066		
11	Bearing	2	2	2	405 4002		
12	Speedo Drive Insert	1	1	1	572 0101		
13	End Bearing Housing	1	1	1	501 0034		
14	Washer	3	3	3	392 0019		
15	Screw	3	3	3	300 4001		

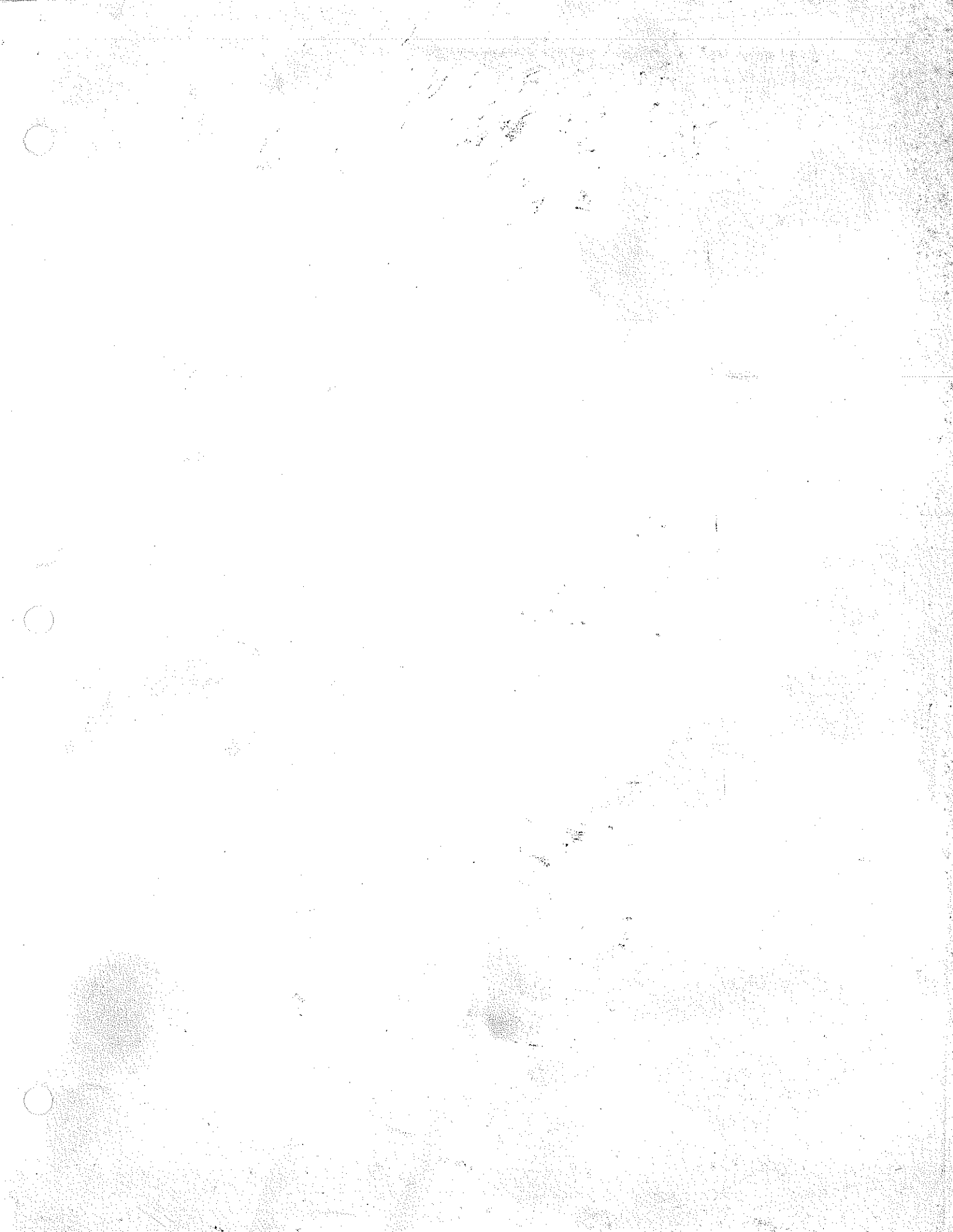


TRACK — AXLES (T'NT F.A.)

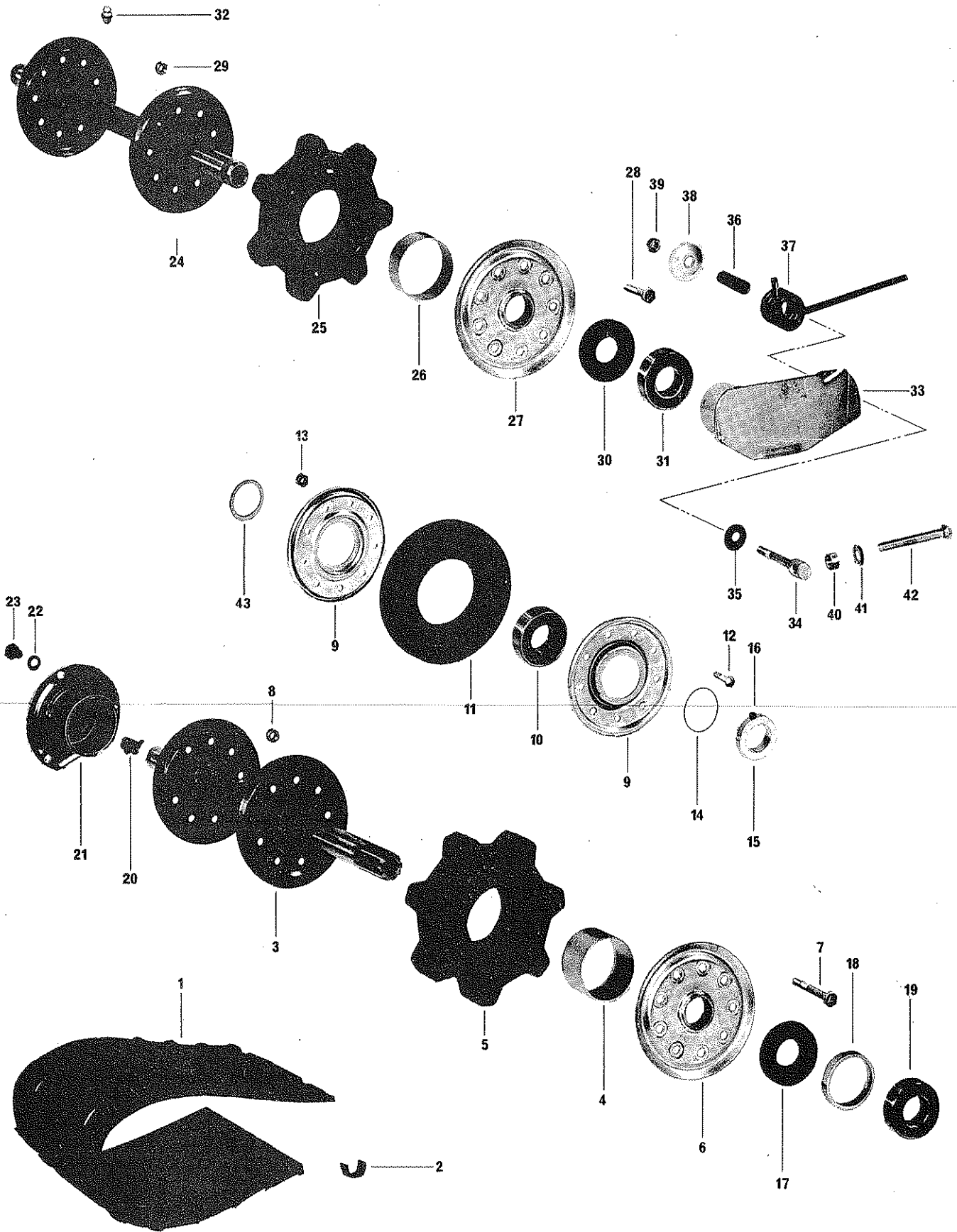


ITEM NO.	DESCRIPTION	QUANTITY			PART NO.		
		346	396	436	1974	1973	1972
1	Track Ass'y	1	1	1	570 0039	570 0039	
2	Track Insert	AR	AR	AR	570 0031	570 0031	
2	Cleat Guide	AR	AR	AR	570 0040	570 0040	
3	Drive Axle	1	1	1	501 0084	501 0084	
4	Screw	2	2	2	365 2020	365 2020	
5	Sprocket	2	2	2	570 0120	570 0120	
6	Mobile Flange	2	2	2	501 0069	501 0069	
7	Screw	16	16	16	301 3003	300 9001	
8	Nut	16	16	16	386 9003	386 6019	
9	Seal	2	2	2	581 1017	581 1017	
10	Bearing	2	2	2	405 4004	405 4004	
11	End Bearing Housing	1	1	1	501 0034	501 0032	
12	Washer	3	3	3	392 0019	392 0019	
13	Screw	3	3	3	300 9035	300 9035	
14	Coupling	1	1	1	414 1624		





TRACK & AXLES (T'NT 400)

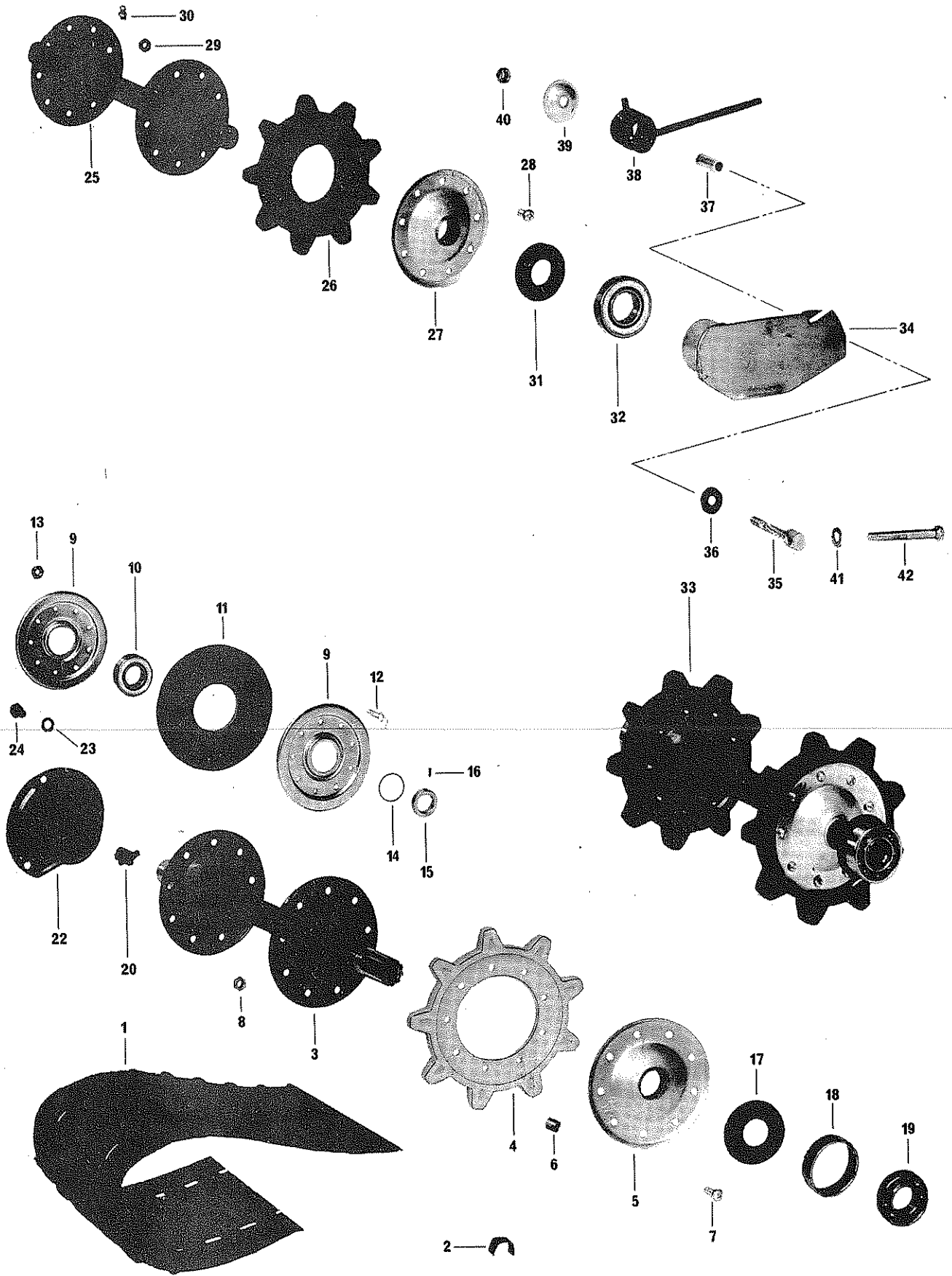


TRACK & AXLES (T'NT 400)

1974

ITEM NO.	DESCRIPTION	QUANTITY		PART NO.		
		400		1972		
1	Track W/Insert	1		570 0033		
2	Track Insert	AR		570 0108		
3	Drive Axle	1		501 0076		
4	Spacer	2		501 0078		
5	Sprocket	2		570 0119		
6	Mobile Flange	2		501 0077		
7	Screw	18		300 1007		
8	Nut	18		386 6119		
9	Flange (Drive Axle & Rear Hub)	8		501 0046		
10	Bearing (Drive Axle & Rear Hub)	4		405 4005		
11	Idler	4		570 0306		
12	Screw	36		320 1062		
13	Nut	36		386 6013		
14	"O" Ring	4		570 0311		
15	Collar	4		503 0095		
16	Screw	4		365 2020		
17	Seal W/Spring	2		581 1017		
18	Spacer	1		501 0066		
19	Bearing	2		405 4002		
20	Speedo Drive Insert	1		572 0101		
21	End Bearing Housing	1		501 0034		
22	Washer	3		392 0019		
23	Screw	3		300 0000		
24	Rear Hub	1		503 0208		
25	Sprocket	2		570 0313		
26	Spacer	2		503 0209		
27	Mobile Flange	2		501 0077		
28	Screw	18		300 1004		
29	Nut	18		386 6119		
30	Seal	2		570 0301		
31	Bearing	2		405 4002		
32	Grease Fitting	2		408 2001		
33	R.H. Link plate	1		503 0071		
33	L.H. Link Plate	1		503 0072		
34	Adjuster Eye Bolt	2		503 0074		
35	Hardened Washer	2		503 0079		
36	Adjuster Sleeve	2		503 0077		
37	R.H. Spring	1		503 0090		
37	L.H. Spring	1		503 0091		
38	Retainer Washer	2		503 0076		
39	Nut	2		389 8036		
40	Bushing	2		517 0538		
41	Washer	2		399 9006		
42	Screw	2		309 8037		
43	Spacer	4		503 0212		

TRACK & AXLES (T'NT 15")

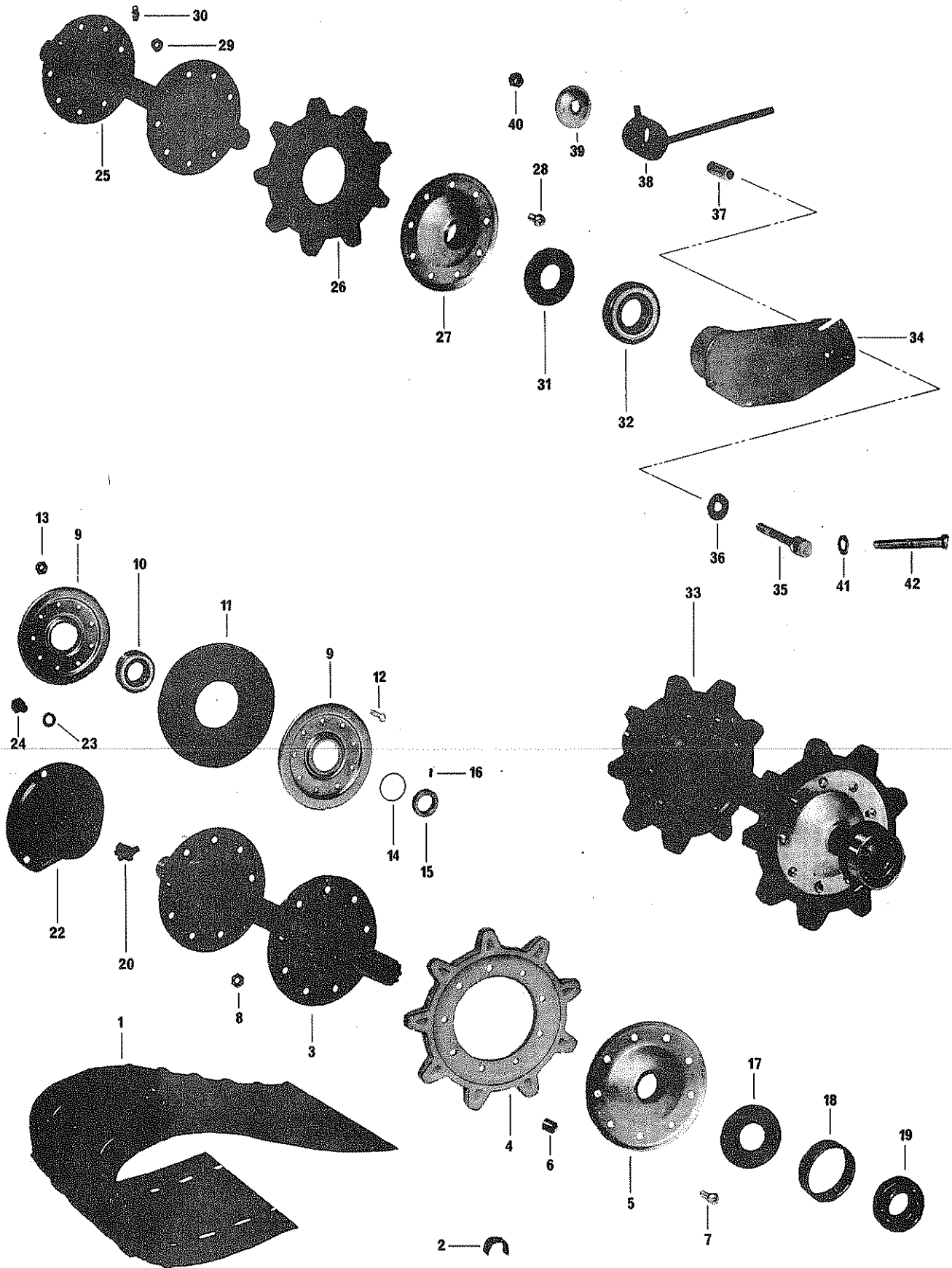


TRACK & AXLES (T'NT 15'')

1974

ITEM NO.	DESCRIPTION	QUANTITY			PART NO.	
		294	343	435	1973	1972
1	Track&Ass'Y	1	1	1	570 0035	570 0032
2	Track Insert	AR	AR	AR	570 0108	570 0031
3	Drive Axle	1			501 0071	501 0073
3	Drive Axle		1	1	501 0071	501 0064
4	Sprocket	2	2	2	570 0312	572 0102
5	Mobile Flange	2	2	2	501 0063	501 0036
6	Bushing	6	6	6	501 0072	501 0072
7	Screw	18	18	18	320 9102	320 9102
8	Nut	18	18	18	386 6119	386 6119
9	Flange	4	4	4	501 0046	501 0046
10	Bearing	2	2	2	405 4005	405 4005
11	Idler (Ext. of Sprocket)	2	2	2	570 0306	570 0306
12	Screw	18	18	18	320 1063	320 1063
13	Nut	18	18	18	386 6013	386 6013
14	"O" Ring	2	2	2	570 0311	570 0311
15	Collar	2	2	2	503 0095	503 0095
16	Screw	2	2	2	365 2020	365 2020
17	Seal	2	2	2	581 1017	581 1017
18	Spacer	1	1	1	501 0066	501 0066
19	Bearing	2	2	2	405 4002	405 4002
20	Speedo Drive Insert	1	1	1	572 0101	572 0101
22	End Bearing Housing	1	1	1	501 0034	501 0034
23	Washer	3	3	3	392 0019	392 0019
24	Screw	3	3	3	300 0000	300 0000
25	Rear Hub	1	1	1	503 0213	503 0171
26	Sprocket	2	2	2	572 0102	572 0102
27	Mobile Flange	2	2	2	501 0036	501 0036
28	Screw	18	18	18	320 1062	320 1062
29	Nut	18	18	18	387 3013	387 3013
30	Grease Fitting	2	2	2	408 2001	408 2001
31	Seal	2	2	2	570 0301	570 0301
32	Bearing	2	2	2	405 4002	405 4002
33	Rear Hub Ass'y	1	1	1	581 0278	
34	R.H. Link Plate	1	1	1	503 0071	503 0071
34	L.H. Link Plate	1	1	1	503 0072	503 0072
35	Adjuster Eye Bolt	2	2	2	503 0074	503 0074
36	Hardened Washer	2	2	2	503 0079	503 0079
37	Adjuster Sleeve	2	2	2	503 0075	503 0075
38	R.H. Spring	1	1	1	503 0088	503 0088
38	L.H. Spring	1	1	1	503 0089	503 0089
39	Retainer Washer	2	2	2	503 0076	503 0076
40	Nut	2	2	2	389 8036	389 8036
41	Washer	2	2	2	399 9006	399 9006
42	Screw	2	2	2	309 8037	309 8037

TRACK & AXLES (T'NT 640 - 775)

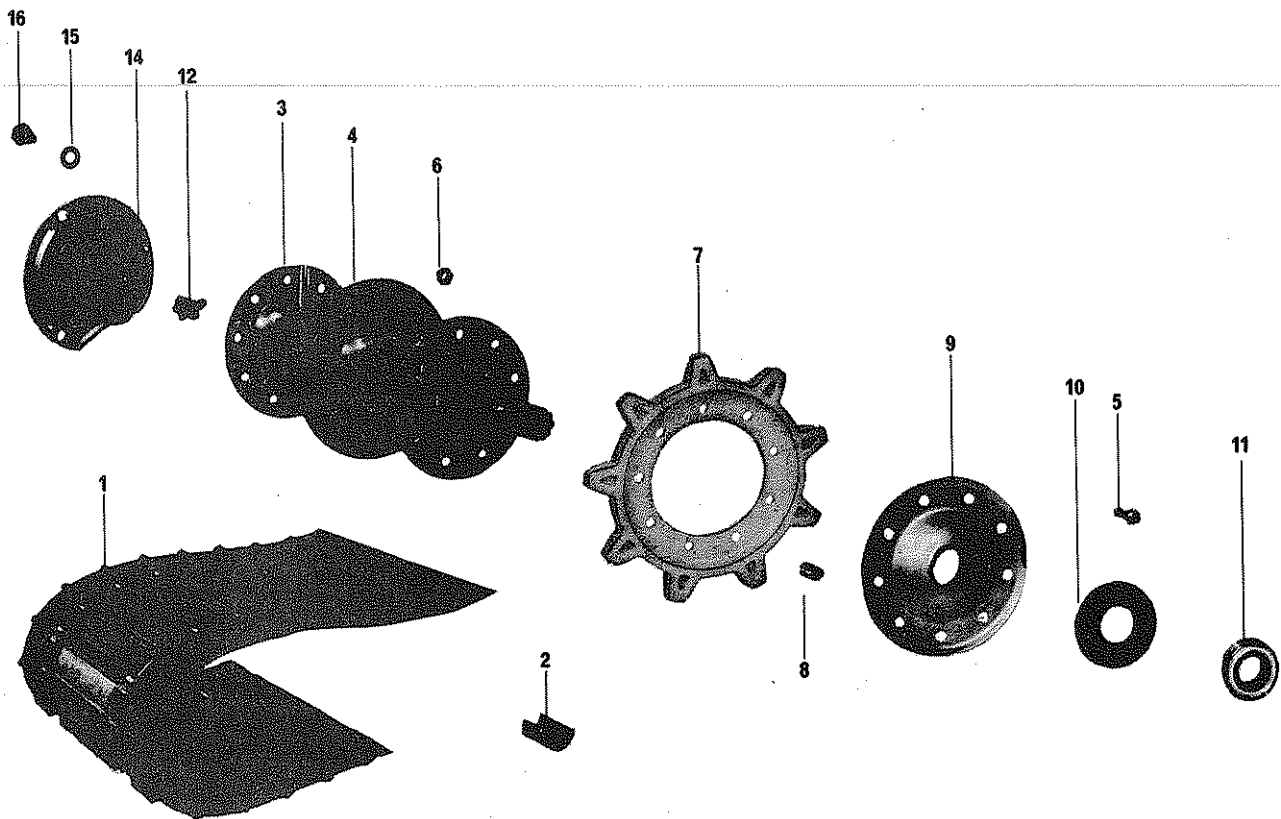
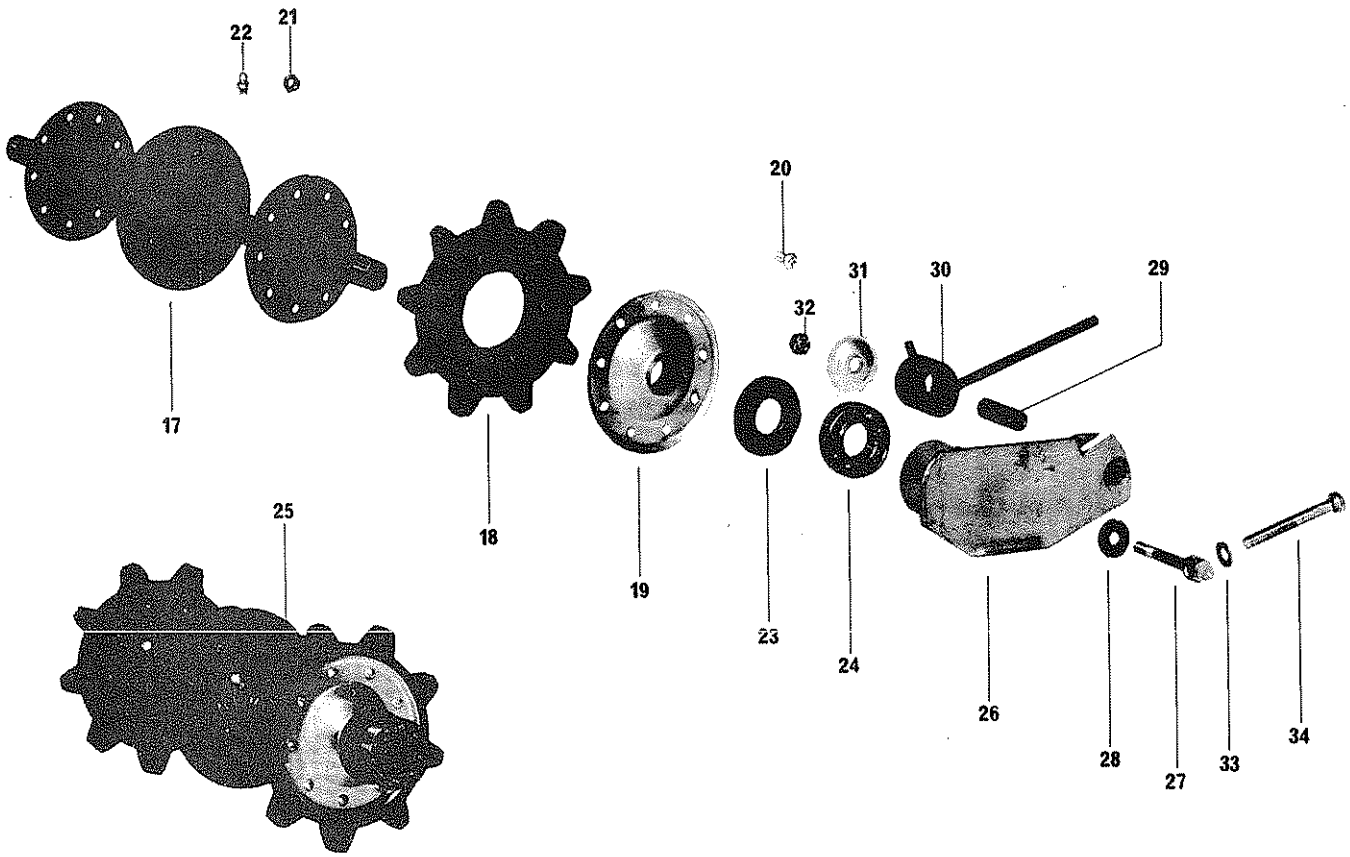


TRACK - AXLES (T'NT 640 - 775)
ONLY IN 1972

1974

ITEM NO.	DESCRIPTION	QUANTITY		PART NO.	
		640	775	1972	
1	Track Ass'y	1	1	570 0027	
2	Track Insert	AR	AR	570 0108	
3	Drive Axle	1	1	501 0067	
4	Sprocket	2	2	570 0312	
5	Mobile Flange	2	2	501 0063	
6	Bushing	6	6	501 0072	
7	Screw	18	18	320 9102	
8	Nut	18	18	386 6119	
9	Flange	8	8	501 0046	
10	Bearing	4	4	405 4005	
11	Idler	4	4	570 0306	
	Center Idler	1	1	570 0304	
12	Screw	36	36	320 1063	
	Screw (Center Idler)	9	9	320 9102	
13	Nut	36	36	386 6013	
	Nut (Center Idler)	9	9	386 6119	
14	"O" Ring	4	4	570 0311	
15	Collar	4	4	503 0095	
16	Screw	4	4	365 2020	
17	Seal	2	2	581 1017	
19	Bearing	2	2	405 4002	
20	Speedo Drive Insert	1	1	572 0101	
22	End Bearing Housing	1	1	501 0034	
23	Washer	3	3	392 0019	
24	Screw	3	3	300 0000	
25	Rear Hub (W/Center Idler)	1	1	503 0206	
26	Sprocket	2	2	572 0102	
27	Mobile Flange	2	2	501 0036	
28	Screw	18	18	320 1062	
29	Nut	18	18	387 3013	
30	Grease Fitting	2	2	408 2001	
31	Seal	2	2	570 0301	
32	Bearing	2	2	405 4002	
33	Rear Hub Ass'y	1	1	581 0263	
34	R.H. Link Plate	1	1	503 0071	
34	L.H. Link Plate	1	1	503 0072	
35	Adjuster Eye Bolt	2	2	503 0074	
36	Hardened Washer	2	2	503 0079	
37	Adjuster Sleeve	2	2	503 0075	
38	R.H. Spring	1	1	503 0088	
3k	L.H. Spring	1	1	503 0089	
39	Retainer Washer	2	2	503 0076	
40	Nut	2	2	389 8036	
41	Washer	2	2	399 9006	
42	Screw	2	2	309 8037	

TRACK & AXLES (Skandic)

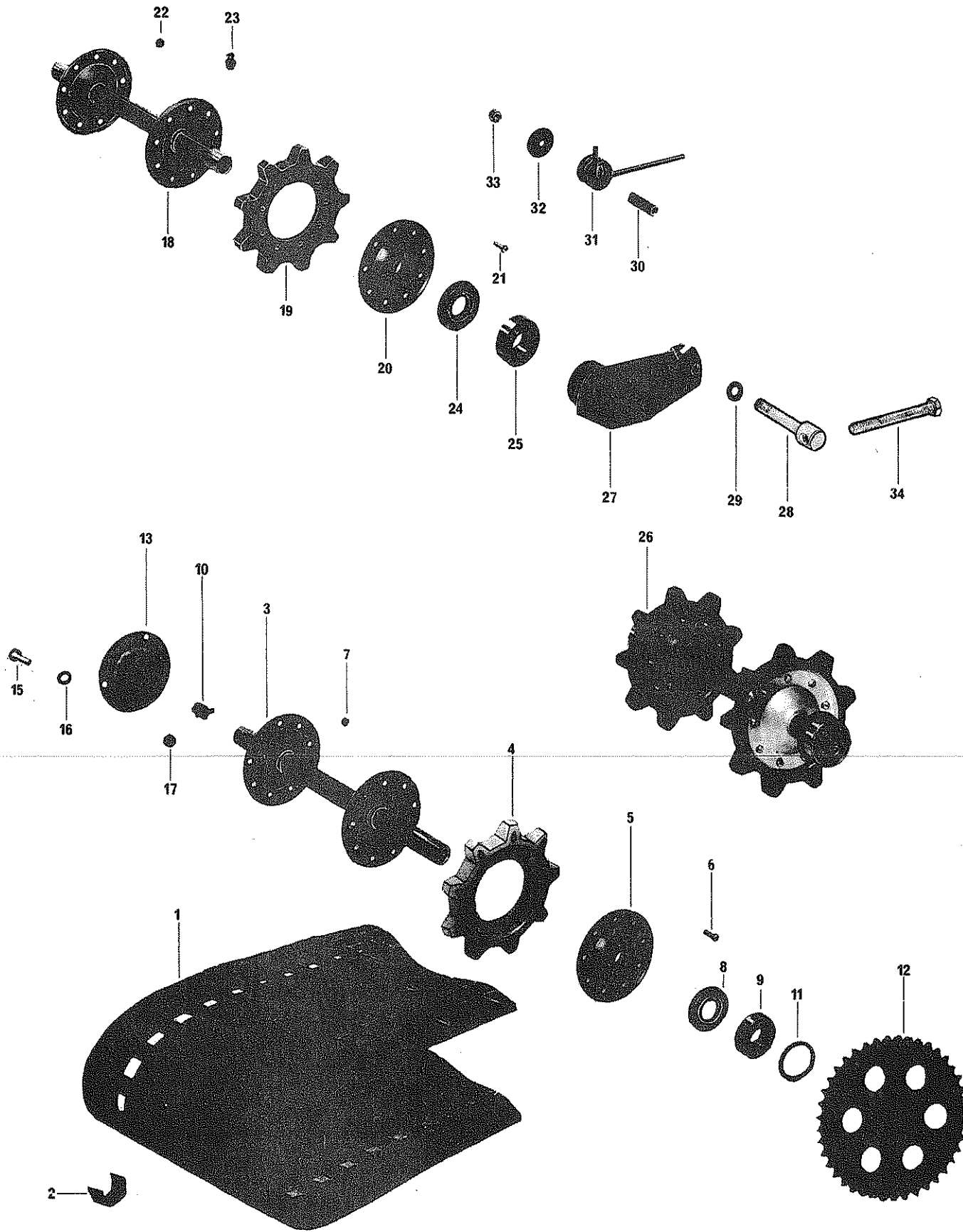


TRACK & AXLES (Skandic)

1974

ITEM NO.	DESCRIPTION	QUANTITY		PART NO.	
		337		1973	
1	Track Ass'y	1		570 0027	
2	Track Insert	AR		570 0108	
3	Drive Axle W/Idler	1		501 0083	
4	Idler (Drive Axle & Rear Hub)	2		570 0304	
5	Screw (Drive Axle & Idler)	36		320 9102	
6	Nut (Drive & Axle & Idler)	36		386 6119	
7	Sprocket	2		570 0312	
8	Bushing	6		501 0072	
9	Mobile Flange	2		501 0063	
10	Seal	2		581 1017	
11	Bearing	2		405 4002	
12	Drive Insert	1		570 0101	
14	End Bearing Housing	1		501 0032	
15	Washer	3		392 0019	
16	Screw	3		300 0000	
17	Rear Hub W/Idler	1		503 0216	
18	Sprocket	2		572 0102	
19	Mobile Flange	2		501 0036	
20	Screw	18		320 1062	
21	Nut	18		387 3013	
22	Grease Fitting	2		408 2001	
23	Seal	2		570 0301	
24	Bearing	2		405 4002	
25	Rear Hub Ass'y	1		581 0178	
26	R.H. Link Plate	1		503 0071	
26	L.H. Link Plate	1		503 0072	
27	Adjuster Eye Bolt	2		503 0074	
28	Hardened Washer	2		503 0079	
29	Adjuster Sleeve	2		503 0075	
30	R.H. Spring	1		503 0088	
30	L.H. Spring	1		503 0089	
31	Retainer Washer	2		503 0076	
32	Nut	2		389 8036	
33	Washer	2		399 9006	
34	Screw	2		309 8037	

TRACK - AXLE (ELITE)



ITEM NO.	DESCRIPTION	QTY	PART NO.	
			1974	1973
1	Track Ass'y	2	570 0006	570 0006
2	Insert	AR	570 0003	570 0003
3	N Drive Axle	2	501 0093	501 0086
4	Sprocket	4	572 0102	572 0102
5	Mobile Flange	4	501 0036	501 0036
6	Screw	36	320 9102	320 9102
7	Nut	36	386 6119	386 6119
8	Seal	4	581 1017	581 1017
9	Bearing	4	405 4002	405 4002
10	Speedo Drive Insert	2	572 0101	572 0101
11	Spacer	6	504 0039	504 0039
12	Sprocket 46Th	1	504 0234	504 0234
13	End Bearing Housing	1	501 0088	501 0088
13	End Bearing Housing (W/Speedo Fitting)	1	501 0087	501 0087
15	Screw	6	300 1001	300 1001
16	Washer	4	399 8007	
17	Nut (Qty 6 in 1973)	2	386 6019	386 6019
18	Rear Hub	2	503 0213	503 0213
19	Sprocket	4	572 0102	572 0102
20	Mobile Flange	4	501 0036	501 0036
21	Screw	36	320 1062	320 1062
22	Nut	36	387 3013	387 3013
23	Grease Fitting	4	408 2001	408 2001
24	Seal	4	570 0301	570 0301
25	Bearing	4	405 4002	405 4002
26	Rear Hub Ass'y	2	581 0278	581 0278
27	R.H. Link Plate	2	503 0071	503 0071
27	L.H. Link Plate	2	503 0072	503 0072
28	Adjuster Eye Bolt	4	503 0074	504 0074
29	Hardened Washer	4	503 0079	503 0079
30	Adjuster Sleeve	4	503 0075	503 0075
31	N R.H. Spring	2	503 0334	503 0090
31	N L.H. Spring	2	503 0335	503 0091
32	Retainer Washer	4	503 0076	503 0076
33	Nut	4	389 8036	389 8036
34	Screw	4	309 8037	309 8037

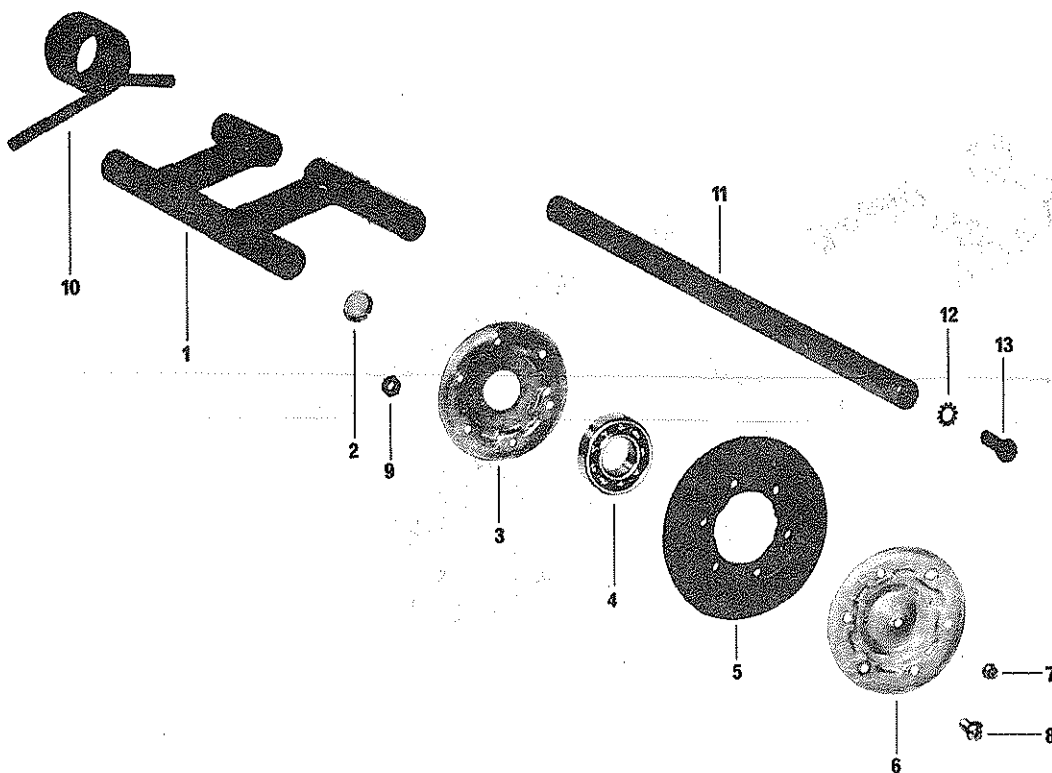
(

(

(

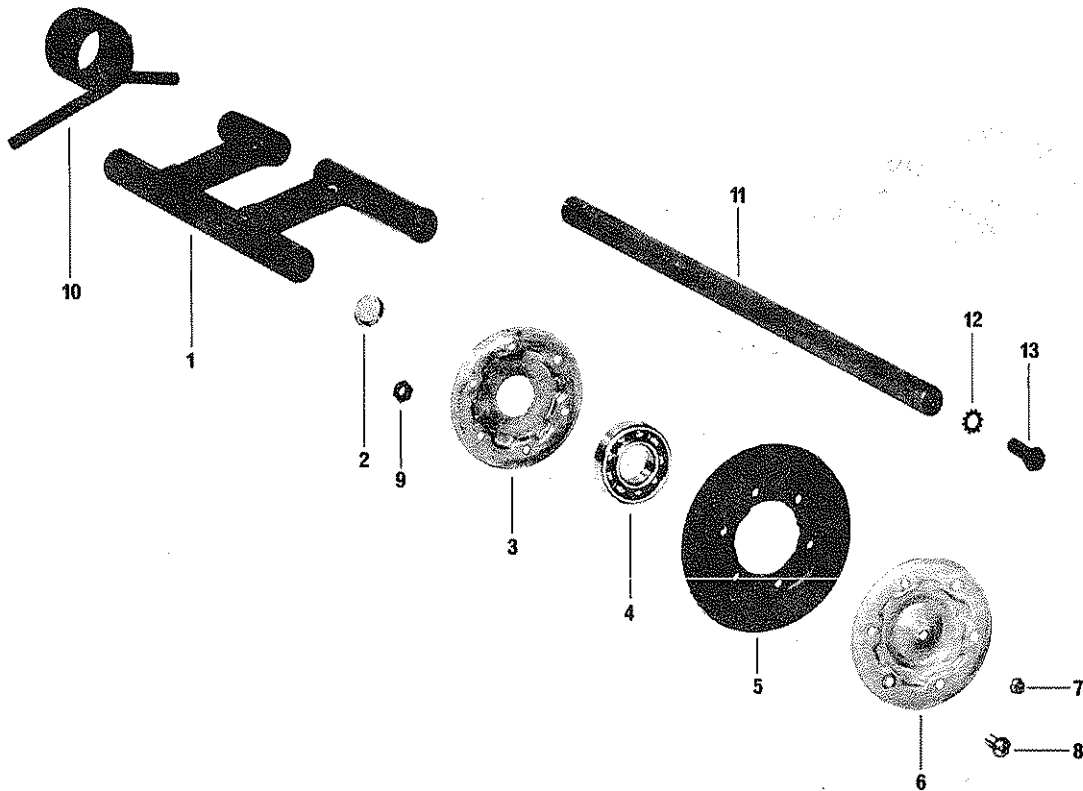
BOGIE WHEEL (OLYMPIQUE)
 337 in 1973-72 Only — 434 in 1973 Only

1974



ITEM NO.	DESCRIPTION	QUANTITY					PART NO.		
		302	337	338	401	434	1974	1973	1972
1	Wheel Support	6	6	6	6	6	502 0029	502 0029	502 0029
2	Cap	12	12	12	12	12	502 0011	502 0011	502 0011
3	Inner Flange	12	12	12	12	12	502 0015	502 0015	502 0015
4	Bearing	12	12	12	12	12	405 4002	405 4002	405 4002
5	Wheel Tire	12	12	12	12	12	570 0205	570 0205	570 0205
6	Outer Flange	12	12	12	12	12	502 0016	502 0016	502 0016
7	Grease Fitting	12	12	12	12	12	408 2001	408 2001	408 2001
8	Screw	72	72	72	72	72	320 1062	320 1062	320 1062
9	Nut	72	72	72	72	72	387 3013	387 3013	387 3013
10	Spring (Front) 1/4 Dia.	4	4	4	4	4	502 0026	502 0026	502 0026
10	Spring (Rear) 9/32 Dia.	2	2	2	2	2	502 0027	502 0027	502 0027
11	Cross Shaft	3	3	3	3	3	502 0008	502 0008	502 0008
12	Washer	6	6	6	6	6	392 0022	392 0022	392 0022
13	Screw	6	6	6	6	6	309 8036	309 8036	309 8036

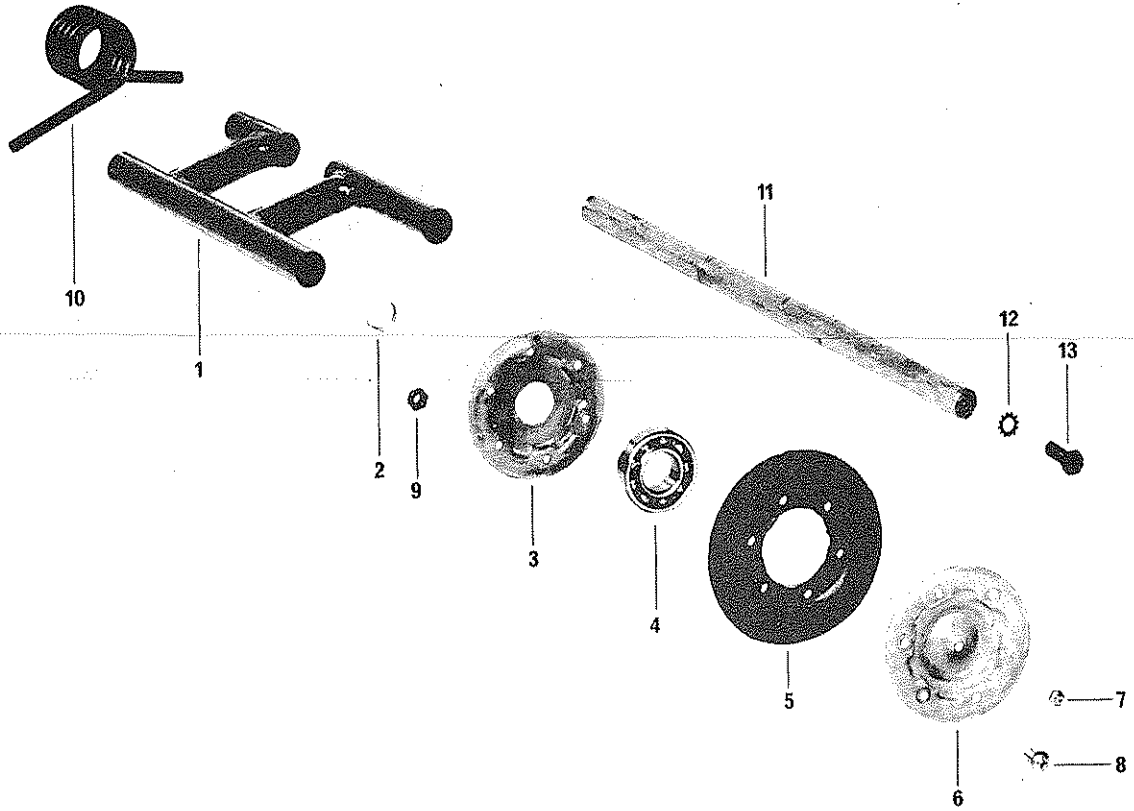
BOGIE WHEEL (NORDIC)
434 in 1972 Only



ITEM NO.	DESCRIPTION	QUANTITY		PART NO.		
		434	640	1974	1973	1972
1	Wheel Support	6	6	502 0041	502 0041	502 0032
2	Cap	12	12	502 0011	502 0011	502 0011
3	Inner Flange	12	12	502 0015	502 0015	502 0015
4	Bearing	12	12	405 4002	405 4002	405 4002
5	Wheel Tire	12	12	570 0206	570 0206	570 0206
6	Outer Flange	12	12	502 0016	502 0016	502 0016
7	Grease Fitting	12	12	408 2001	408 2001	408 2001
8	Screw	72	72	320 1062	320 1062	320 1062
9	Nut	72	72	387 3013	387 3013	387 3013
10	Spring (Front)	4	4	502 0042	502 0042	502 0026
10	Spring (Rear)	2	2	502 0042	502 0042	502 0027
11	Cross Shaft	3	3	502 0014	502 0014	502 0014
12	Washer	6	6	392 0022	392 0022	392 0022
13	Screw	6	6	309 8036	309 8036	309 8036

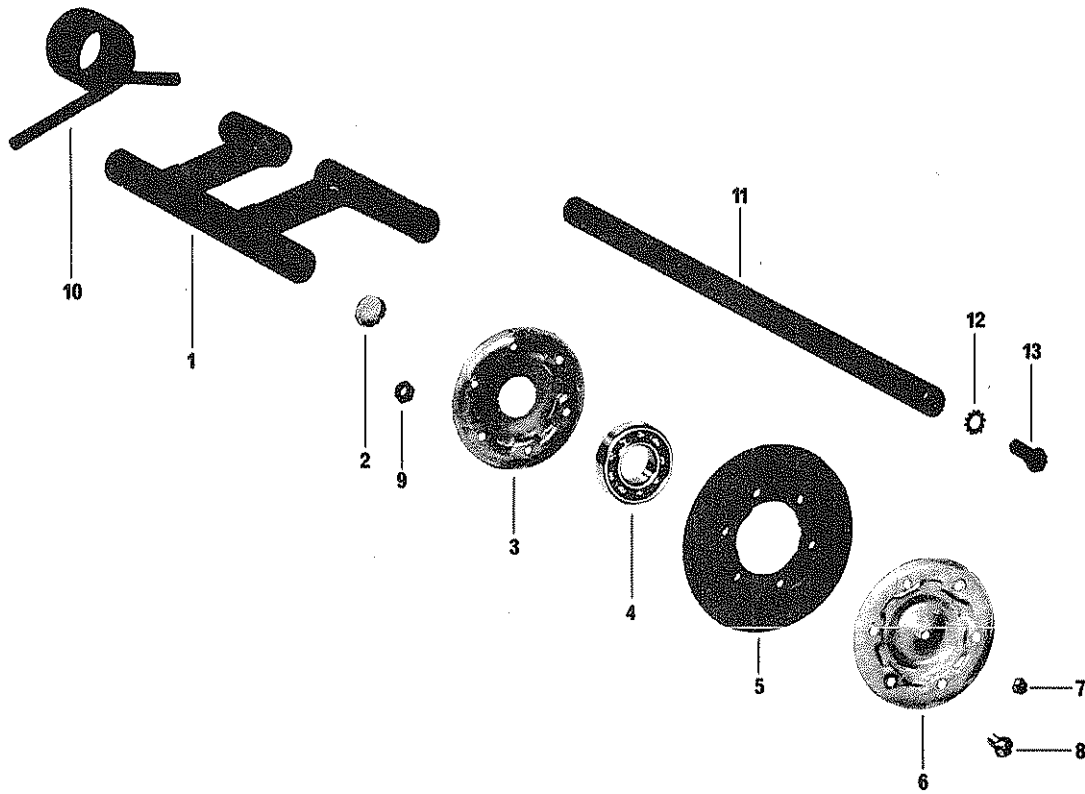
BOGIE WHEEL (VALMONT - ALPINE)
 In 1974 Alpine 434ER - 640ER Only

1974

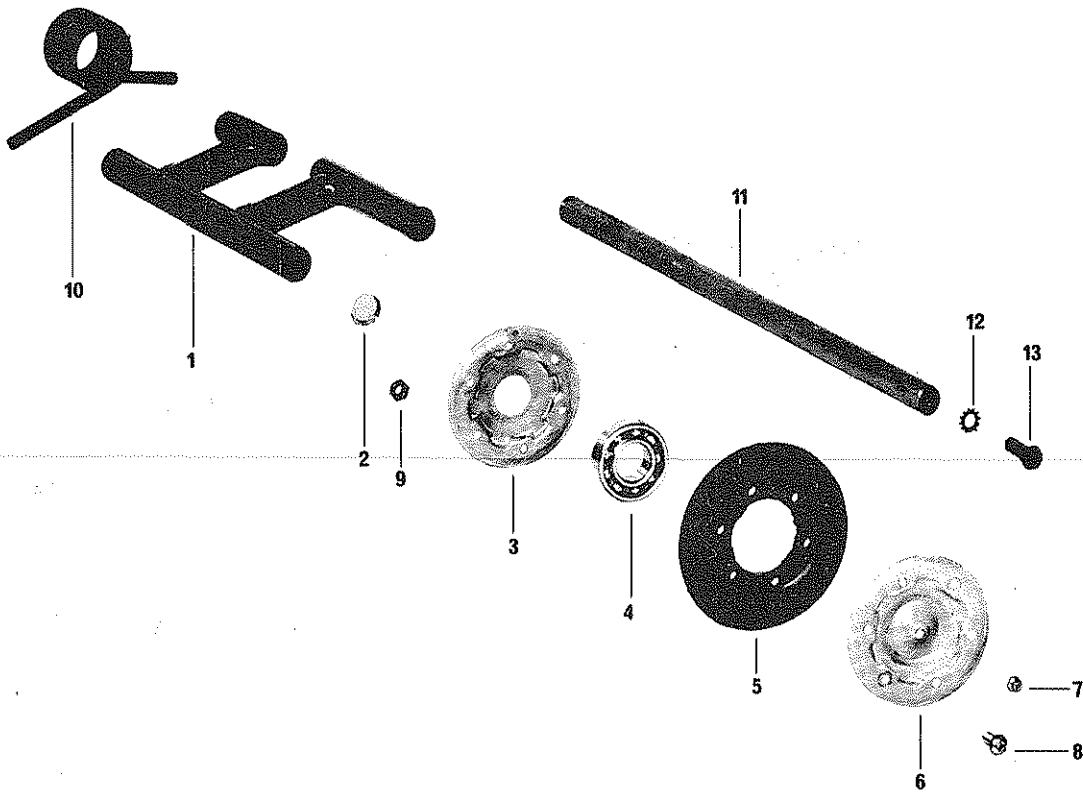


ITEM NO.	DESCRIPTION	QUANTITY			PART NO.		
		V434	A434	A640	1974	1973	1972
1	Wheel Support	12	16	16	502 0029	502 0029	502 0029
2	Cap	24	32	32	502 0011	502 0011	502 0011
3	Inner Flange	24	32	32	502 0015	502 0015	502 0015
4	Bearing	24	32	32	405 4002	405 4002	405 4002
5	Wheel Tire	24	32	32	570 0205	570 0205	570 0205
6	Outer Flange	24	32	32	502 0016	502 0016	502 0016
7	Grease Fitting	24	32	32	408 2001	408 2001	408 2001
8	Screw	24	32	32	320 1062	320 1062	320 1062
9	Nut	24	32	32	387 3013	387 3013	387 3013
10	Spring (1/4" Dia.)	12	16	16	502 0026	502 0026	502 0026
11	Cross Shaft	6	8	8	502 0008	502 0008	502 0008
12	Washer	12	16	16	392 0022	392 0022	392 0022
13	Screw	12	16	16	309 8036	309 8036	309 8036

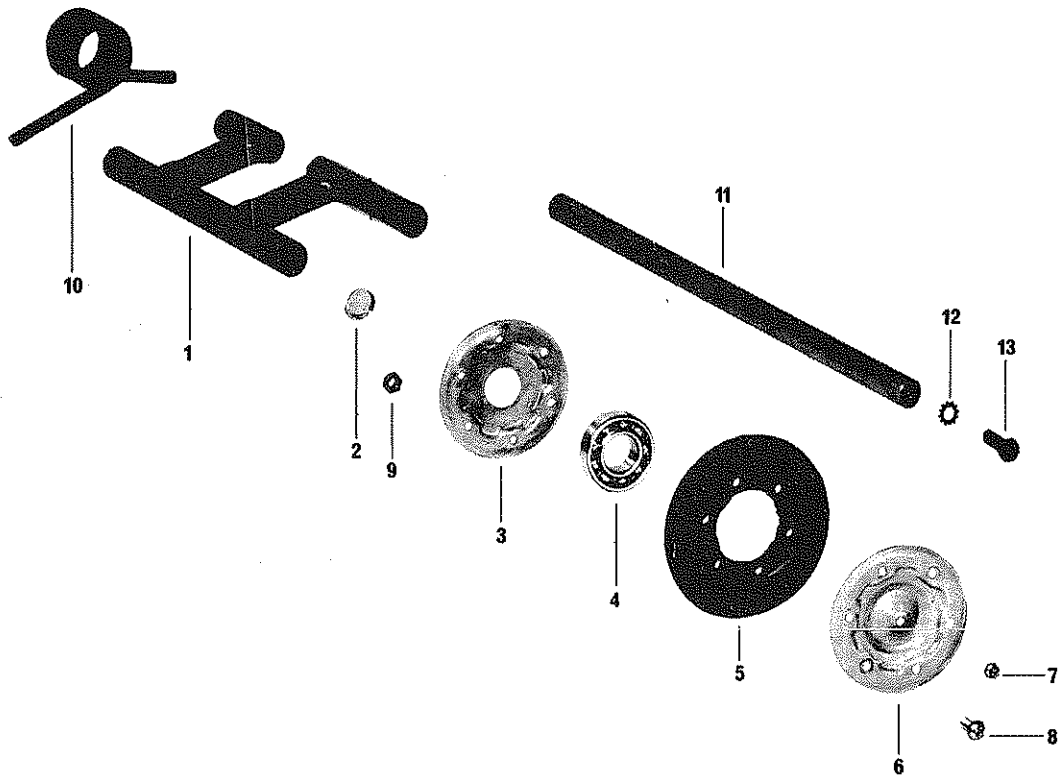
BOOGIE WHEEL (T'NT 15")



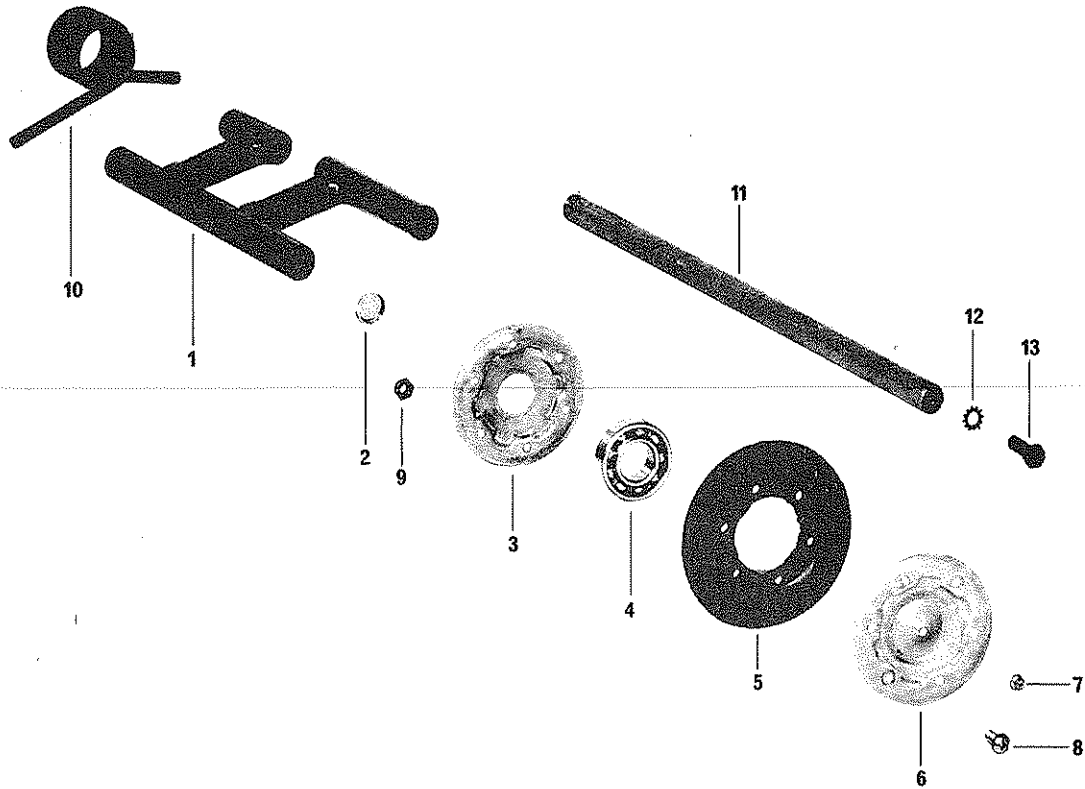
ITEM NO.	DESCRIPTION	QUANTITY			PART NO.	
		294	343	435	1973	1972
1	Wheel Support	6	6	6	502 0029	502 0029
2	Cap	12	12	12	502 0011	502 0011
3	Inner Flange	12	12	12	502 0015	502 0015
4	Bearing	12	12	12	405 4002	405 4002
5	Wheel Tire	12	12	12	570 0206	570 0206
6	Outer Flange	12	12	12	502 0016	502 0016
7	Grease Fitting	12	12	12	408 2001	408 2001
8	Screw	72	72	72	320 1062	320 1062
9	Nut	72	72	72	387 3013	387 3013
10	Spring (Front) 1/4" Dia.	4	4	4	502 0026	502 0026
10	Spring (Front) 9/32 Dia.	2	2	2	502 0027	502 0027
11	Cross Shaft	3	3	3	502 0008	502 0008
12	Washer	6	6	6	392 0022	392 0022
13	Screw	6	6	6	309 8036	309 8036



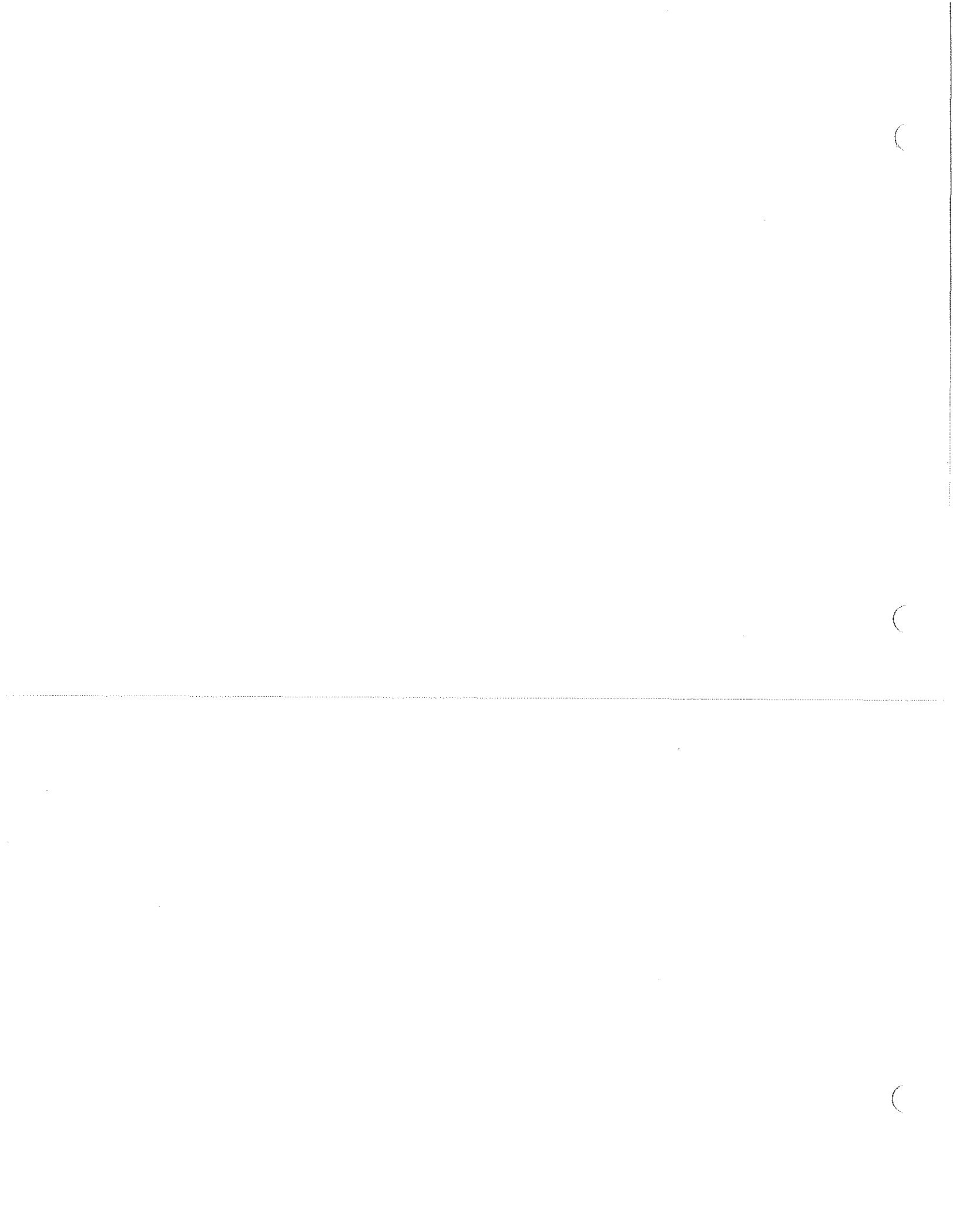
ITEM NO.	DESCRIPTION	QUANTITY		PART NO.	
		640	775	1972	
1	Wheel Support	6	6	502 0032	
2	Cap	12	12	502 0011	
3	Inner Flange	12	12	502 0015	
4	Bearing	12	12	405 4002	
5	Wheel Tire	12	12	570 0206	
6	Outer Flange	12	12	502 0016	
7	Grease Fitting	12	12	408 2001	
8	Screw	12	12	320 1062	
9	Nut	12	12	387 3013	
10	Spring (Front)	4	4	502 0026	
10	Spring (Rear)	2	2	502 0027	
11	Cross Shaft	3	3	502 0014	
12	Washer	6	6	392 0022	
13	Screw	6	6	309 8036	



ITEM NO.	DESCRIPTION	QUANTITY		PART NO.	
		337		1973	
1	Wheel Support	6		502 0032	
2	Cap	12		502 0011	
3	Inner Flange	12		502 0015	
4	Bearing	12		405 4002	
5	Wheel Tire	12		570 0209	
6	Outer Flange	12		502 0016	
7	Grease Fitting	12		408 2001	
8	Screw	72		320 1062	
9	Nut	72		387 3013	
10	Spring (Front)	4		502 0026	
10	Spring (Rear)	2		502 0027	
11	Cross Shaft	3		502 0014	
12	Washer	6		392 0022	
13	Screw	6		309 8036	



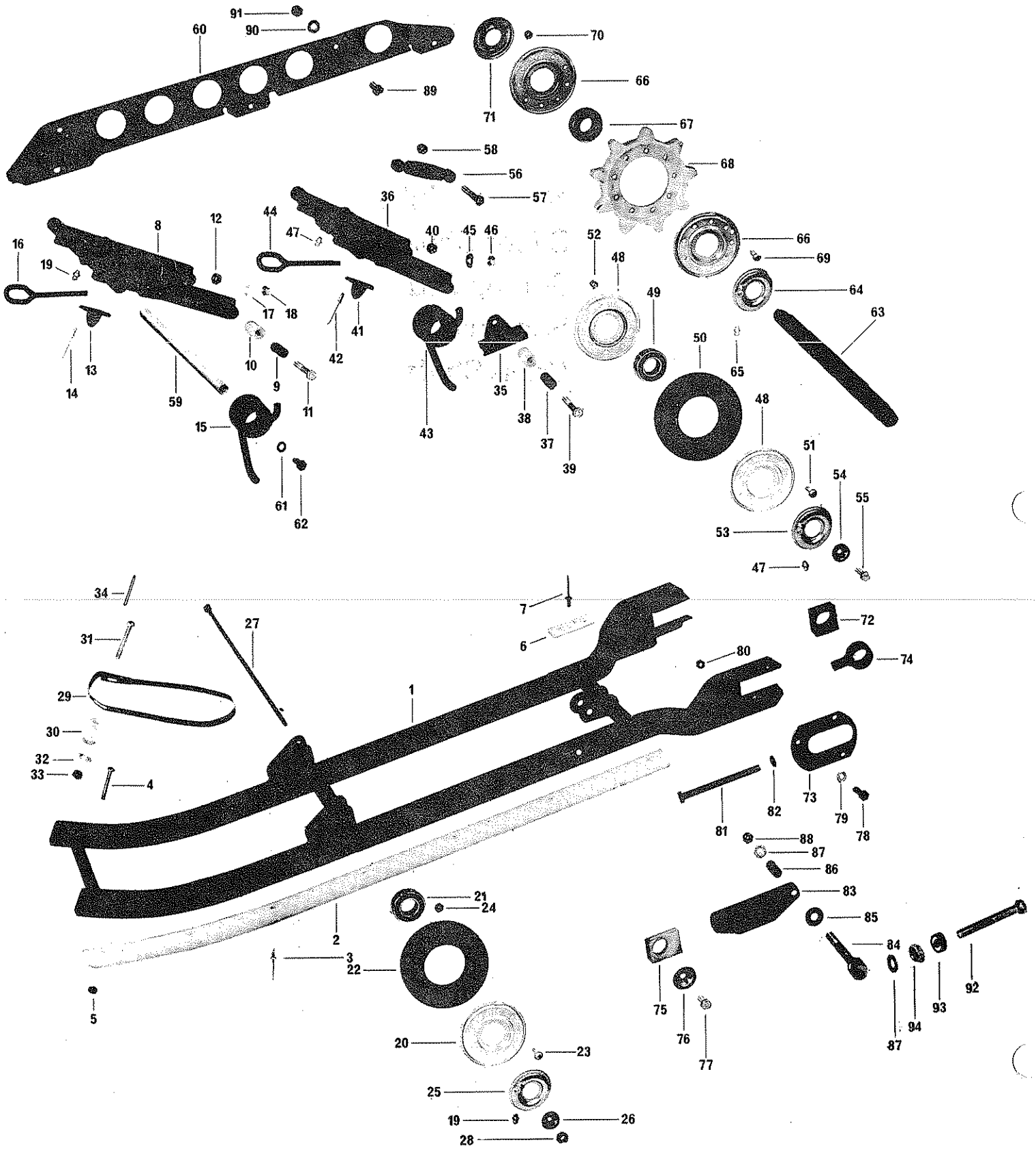
ITEM NO.	DESCRIPTION	QTY	PART NO.	
			1974	1973
1	Wheel Support	12	502 0029	502 0029
2	Cap	24	502 0011	502 0011
3	Inner Flange	24	502 0015	502 0015
4	Bearing	24	405 4002	405 4002
5	Wheel Tire	24	570 0205	570 0205
6	Outer Flange	24	502 0016	502 0016
7	Grease Fitting	24	408 2001	408 2001.
8	Screw	144	320 1062	320 1062
9	Nut	144	387 3013	387 3013
10	Spring	12	502 0026	502 0026
11	Cross Shaft	6	502 0008	502 0008
12	Washer	12	392 0022	392 0022
13	Screw	12	309 8036	309 8036



**SECTION
SLIDE**

**Runner Tube
Slider Shoes
Sliding Pad
Supports
Cross Shaft**

SLIDING (ELAN 294SS)

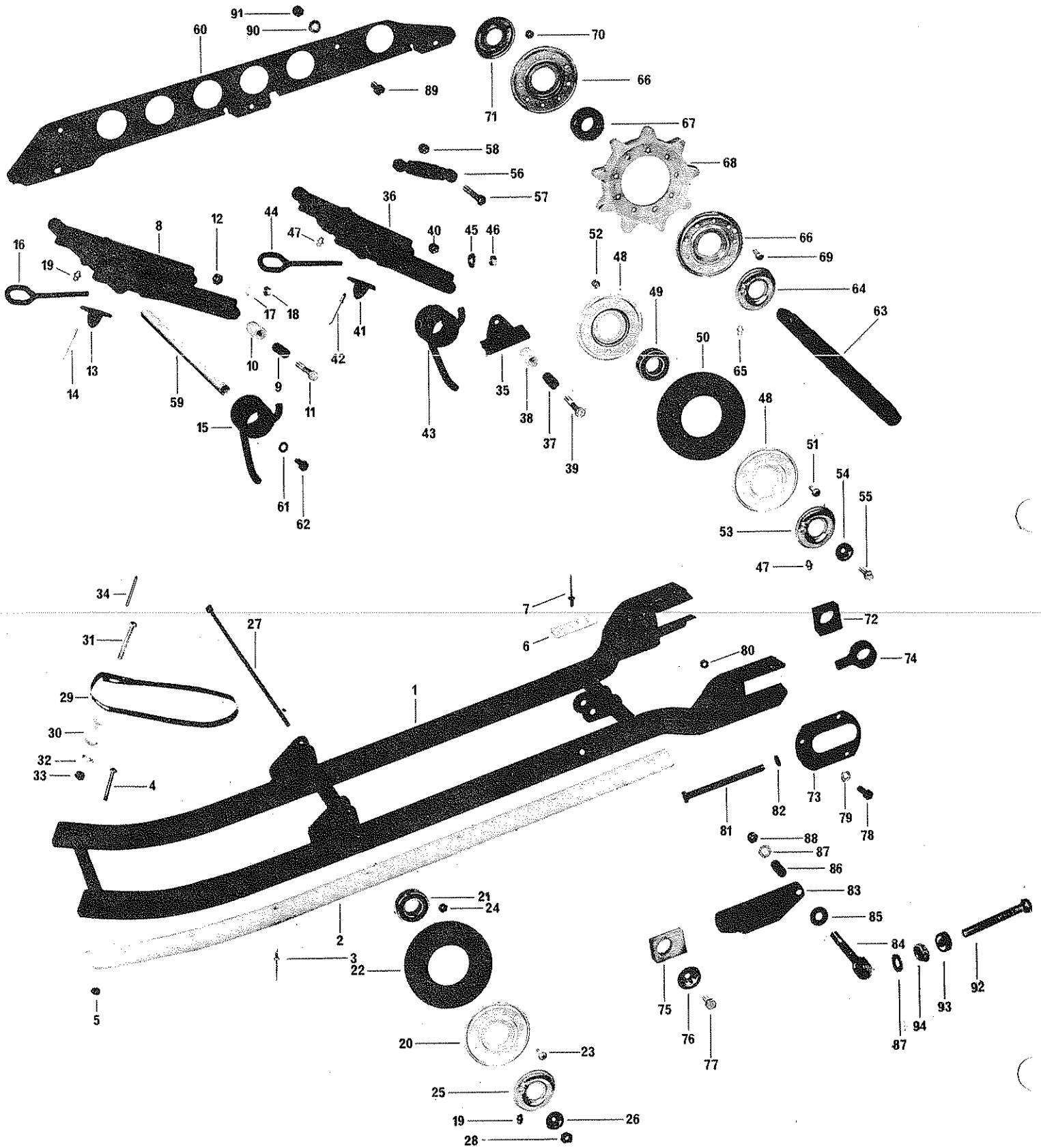


**SLIDING (ELAN 294SS)
1973 For Olympique – T'NT 15"**

1974

ITEM NO.	DESCRIPTION	QTY	PART NO.	
			294	1973
1	Runner Tube	1	503 0221	503 0221
2	Slider Shoe	2	560 3022	560 3022
3	Rivet	20	390 9024	390 9024
4	Screw	2	321 7109	321 7109
5	Nut	2	386 9102	386 9102
6 □	Sliding Pad	2	560 3021	560 3021
7	Rivet	8	390 4023	390 4023
8	Front Support	1	503 0226	503 0226
9	Spacer Sleeve	2	503 0223	503 0223
10	Bushing	2	572 0302	572 0302
11 N	Screw	2	301 3047	300 9047
12	Nut	2	386 9001	386 6022
13	Stop Bonding	2	570 0314	570 0314
14	Rivet	4	390 4020	390 4020
15	R.H. Spring	1	503 0240	503 0240
15	L.H. Spring	1	503 0241	503 0241
16	Eye Bolt	2	503 0225	503 0225
17 □	Washer	2	399 9007	399 9007
18 □	Nut	2	383 7022	380 7022
19	Grease Fitting	3	408 2001	408 2001
20	Flange	4	501 0046	501 0046
21 N	Bearing	2	405 4021	405 4005
22	Idler	2	570 0306	570 0306
23	Screw	18	320 1063	320 1063
24	Nut	18	386 6013	386 6013
25 □ N	Cap	2	503 0340	
26	Cup	2	512 0139	
27 □	Bolt	1	309 8075	309 8075
28	Nut	1	386 6019	386 6019
29 □	Stopper Strap	1	503 0229	
29	Stopper Strap	1		503 0229
30	Sleeve	2	503 0230	503 0230
31 □ N	Screw	2	321 7066	320 1066
32	Washer	4	399 9018	391 0017
33	Nut	2	386 9002	386 6013
34	Spirol Pin	1	372 3004	372 3004
35	Slider	2	503 0224	503 0224
36	Rear Support	1	503 0222	503 0222
37	Spacer Sleeve	2	503 0223	503 0223
38	Bushing	2	572 0302	572 0302
39 □ N	Screw	2	301 3047	300 9047
40	Nut	2	386 9001	386 6022
41	Stop Bonding	2	570 0314	570 0314
42	Rivet	4	390 4020	390 4020
43	R.H. Spring	1	503 0242	503 0242
43	L.H. Spring	1	503 0243	503 0243
44	Eye Bolt	2	503 0225	503 0225
45 □	Washer	2	399 9007	399 9007
46 □	Nut	2	383 7022	380 7022
47	Grease Fitting	3	408 2001	408 2001
48	Flange	4	501 0046	501 0046
49 N	Bearing	2	405 4021	405 4005
50	Idler	2	570 0306	570 0306

SLIDING(ELAN 294SS)

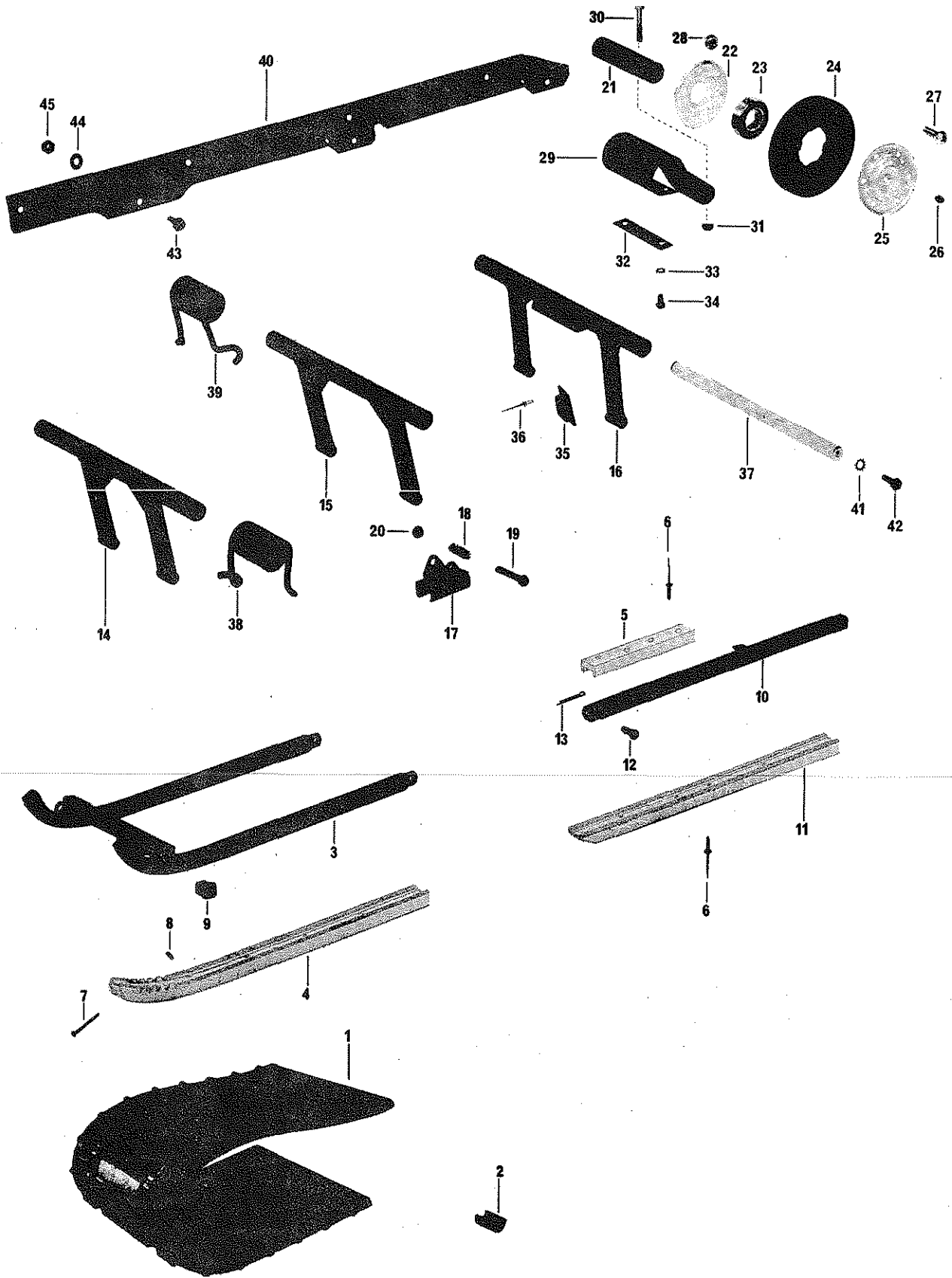


**SLIDING (ELAN 294SS)
1973 For Olympique - T'NT 15"**

1974

ITEM NO.	DESCRIPTION	QTY	PART NO.	
			294	1973
51	Screw	18	320 1063	320 1063
52	Nut	18	386 6013	386 6013
53	Cap	2	503 0251	
54	Cup	2	512 0139	
55	N Screw	2	309 9012	
56	Shock	1	414 1478	414 1478
57	N Screw	2	300 5127	300 0127
58	<input type="checkbox"/> N Nut	2	386 9007	386 6126
59	Cross Shaft	2	503 0087	503 0087
60	N Side Member R.H.	1	503 0310	
60	Side Member R.H.	1		503 0253
60	N Side Member L.H.	1	503 0311	
60	Side Member L.H.	1		503 0254
61	Washer	4	394 0022	394 0022
62	Screw	4	309 8036	309 8036
63	Shaft (Rear Hub)	1	503 0231	503 0231
64	<input type="checkbox"/> N Cap	2	503 0340	503 0251
65	Grease Fitting	2	408 2001	408 2001
66	Flange	4	503 0232	503 0232
67	Bearing	2	405 4002	405 4002
68	Sprocket	2	572 0102	572 0102
69	Screw	18	320 1062	320 1062
70	Nut	18	387 3013	387 3013
71	<input type="checkbox"/> N Cap	2	503 0341	503 0252
72	Sliding Block	2	572 0303	572 0303
73	End Plate	2	503 0233	503 0233
74	Guide	2	503 0234	503 0234
75	Sliding Block	2	572 0304	572 0304
76	End Washer	2	503 0119	503 0119
77	Screw	2	309 8076	309 8076
78	Screw	6	300 5001	300 1001
79	Washer	6	392 0019	392 0019
80	Nut	6	386 9003	386 6019
81	Screw	2	309 8078	309 8078
82	Nut	4	380 7024	380 7024
83	R.H. Link Plate	1	503 0236	503 0236
83	L.H. Link Plate	1	503 0237	503 0237
84	<input type="checkbox"/> Adjuster Eye Bolt	2	503 0028	
84	Screw	2		300 1089
85	Hardened Washer	2	503 0044	503 0079
86	N Adjuster Sleeve	2	503 0317	
86	Adjuster Sleeve	2		503 0294
87	Washer	2	399 9007	399 9006
88	<input type="checkbox"/> Nut	2	389 8037	386 6024
89	Screw	6	300 5041	300 1041
90	Washer	6	399 9007	399 9007
91	Nut	6	386 9001	386 6022
92	<input type="checkbox"/> Screw	2	309 8027	
93	<input type="checkbox"/> Spacer	2	517 0152	
94	<input type="checkbox"/> Nut	2	380 7022	

SUSPENSION SLIDING 15" - 18"

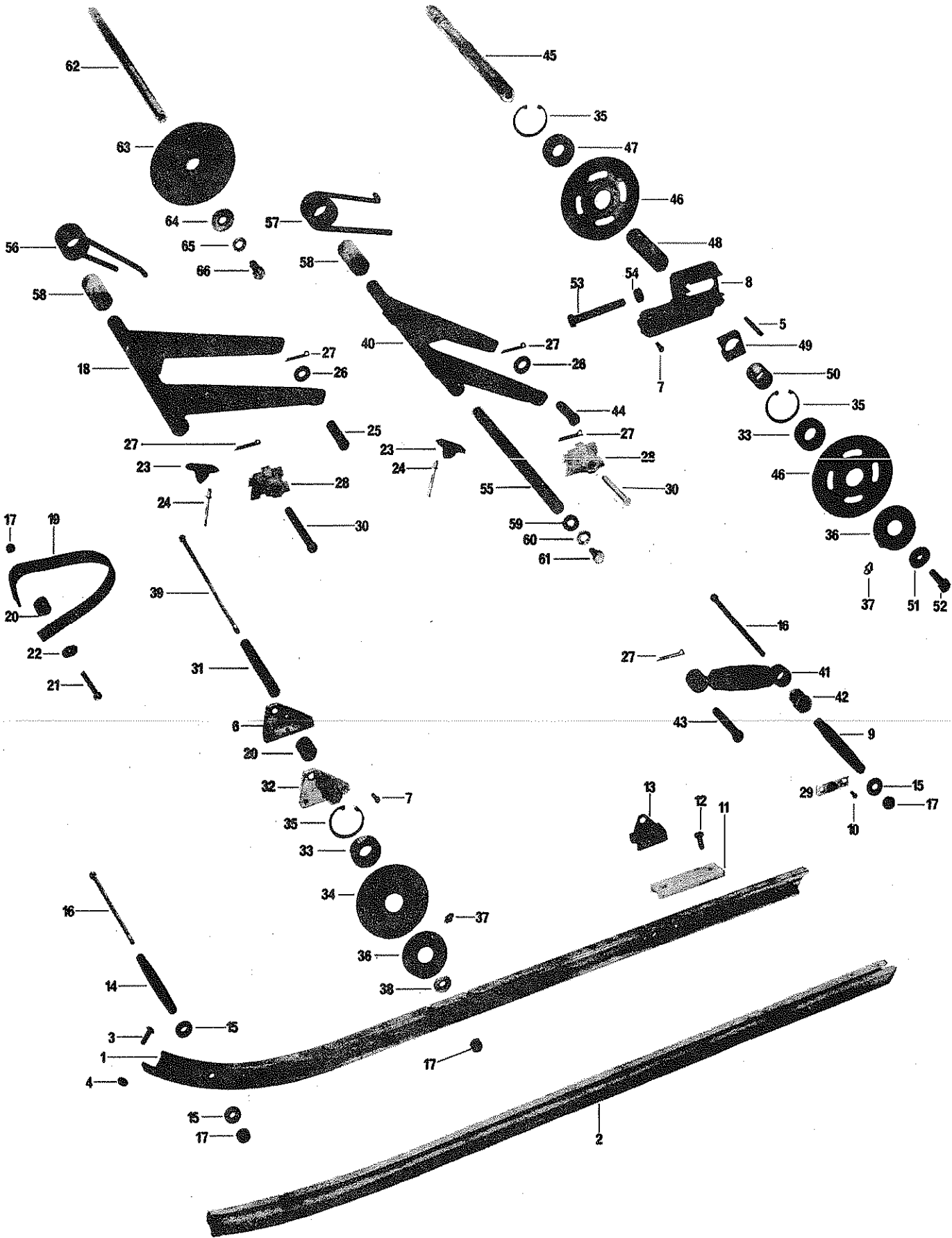


SUSPENSION SLIDING 15" - 18"
Olympique 302 in 1972, Same as T'NT 15" in 1971

1974

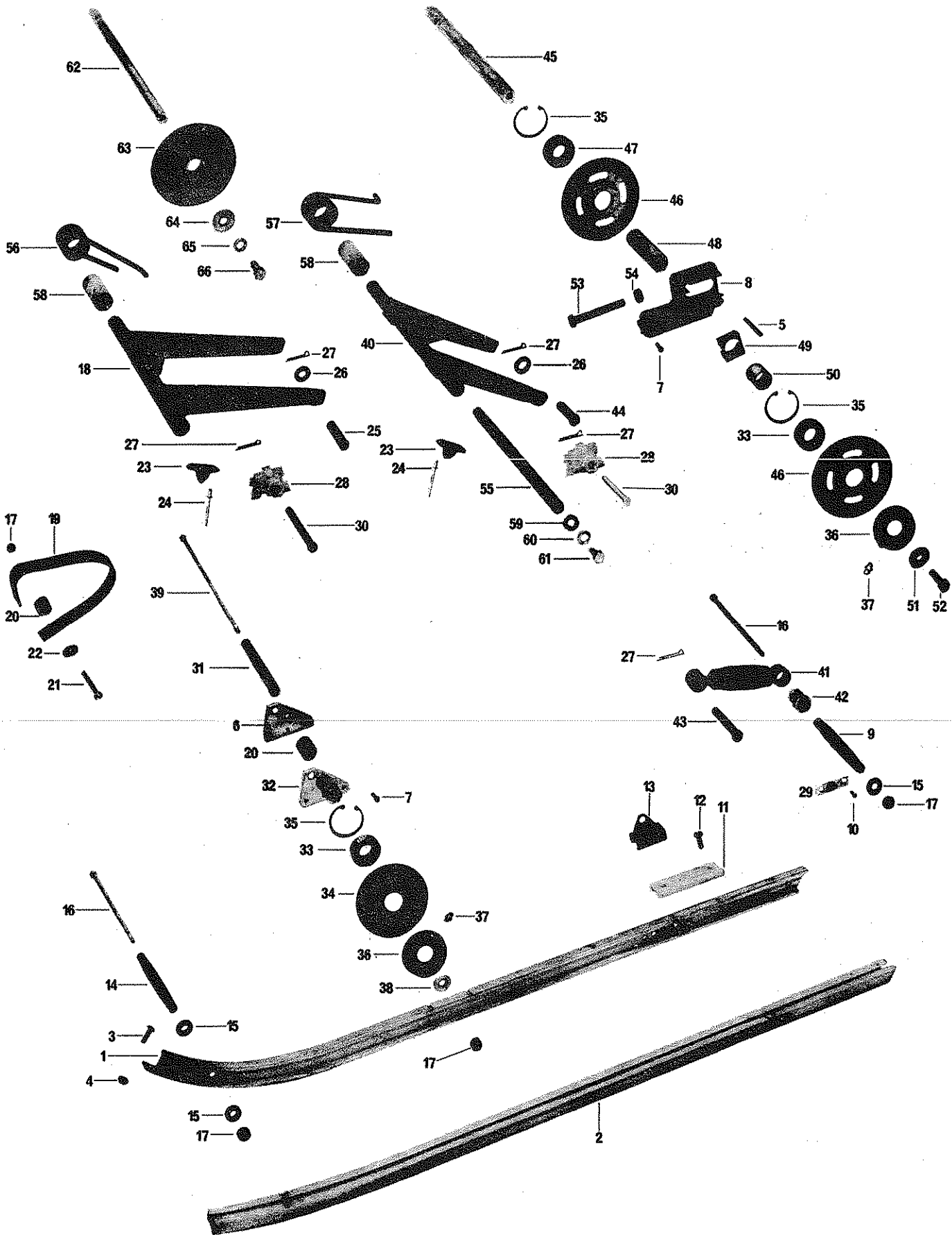
ITEM NO.	DESCRIPTION	QUANTITY				PART NO.		
		OL	T'NT 15	NOR	T'NT 18	1973	1972	1971
1	Track Ass'y	1	1				570 0035	570 0010
1	Track Ass'y			1	1		570 0027	570 0009
2	Track Insert	AR	AR	AR	AR		570 0108	570 0106
3	Front Runner Tube	1	1				503 0196	503 0057
3	Front Runner Tube			1	1		503 0201	503 0065
4	Slider Shoe	2	2	2	2		560 3016	560 3003
5	Sliding Pad	6	6	6	6		560 3002	560 3002
6	Rivet	44	44	44	44		390 9024	390 4022
7	Screw	2	2	2	2		321 7106	
8	Nut	2	2	2	2		387 5019	
9	End Cap	2	2	2	2		570 1728	570 1728
10	Rear Runner Tube	2	2	2	2		503 0059	503 0059
11	Rear Slider Shoe	2	2	2	2		560 3003	560 3003
12	Clevis Pin	2	2	2	2		414 0340	414 0340
13	Cotter Pin	2	2	2	2		371 0011	371 0011
14	Cross Support (Front)	1	1				503 0195	503 0085
14	Cross Support (Front)			1	1		503 0200	503 0080
15	Cross Support (Center)	2	2				503 0202	503 0086
15	Cross Support (Center)			2	2		503 0198	503 0081
16	Cross Support (Rear)	1	1				503 0197	503 0092
16	Cross Support (Rear)			1	1		503 0199	503 0093
17	Slider	6	6	6	6		503 0055	503 0055
18	Sleeve	8	8	8	8		503 0054	503 0054
19	Screw	8	8	8	8		300 1047	300 1047
20	Nut	8	8	8	8		389 8037	389 8037
21	Shaft Tube	1	1	1	1		503 0151	
22	Inner Flange (4 in 1971)	2	2	2	2		502 0015	502 0015
	Cap		4		4			502 0011
23	Bearing (4 in 1971)	2	2	2	2		405 4002	405 4002
24	Wheel Tire (4 in 1971)	2	2	2	2		570 0206	570 0206
25	Outer Flange (4 in 1971)	2	2	2	2		502 0016	502 0016
26	Grease Fitting (4 in 1971)	2	2	2	2		408 2001	408 2001
27	Screw (24 in 1971)	12	12	12	12		320 1062	320 1062
28	Nut (24 in 1971)	12	12	12	12		387 3013	387 3013
29	Tension Spring	1	1	1	1		414 0943	
30	Screw	2	2	2	2		300 1005	
31	Nut	2	2	2	2		386 6019	
32	Plate	1	1	1	1		503 0154	
33	Washer	2	2	2	2		394 0019	
34	Screw	2	2	2	2		300 1000	
35	Stop Bonding	2	2	2	2		570 0305	570 0305
36	Rivet	4	4	4	4		390 4025	390 4025
37	Cross Shaft	4	4				503 0087	503 0087
37	Cross Shaft			4	4		503 0082	503 0082
38	R.H. Front Spring	1	1	1	1		414 0941	414 0680
38	L.H. Front Spring	1	1	1	1		414 0942	414 0681
39	R.H. Spring	3	3	3	3		414 1115	414 0682
39	L.H. Spring	3	3	3	3		414 1114	414 0683
40	R.H. Side Member	1	1	1	1		503 0139	503 0083
40	L.H. Side Member	1	1	1	1		503 0140	503 0084
41	Washer	8	8	8	8		399 8001	399 8001
42	Screw	8	8	8	8		309 8036	309 8036
43	Screw	6	6	6	6		300 1041	300 1041
44	Washer	6	6	6	6		399 9007	399 9007
45	Nut	6	6	6	6		386 6022	386 6022

SLIDE (T'NT - EVEREST)



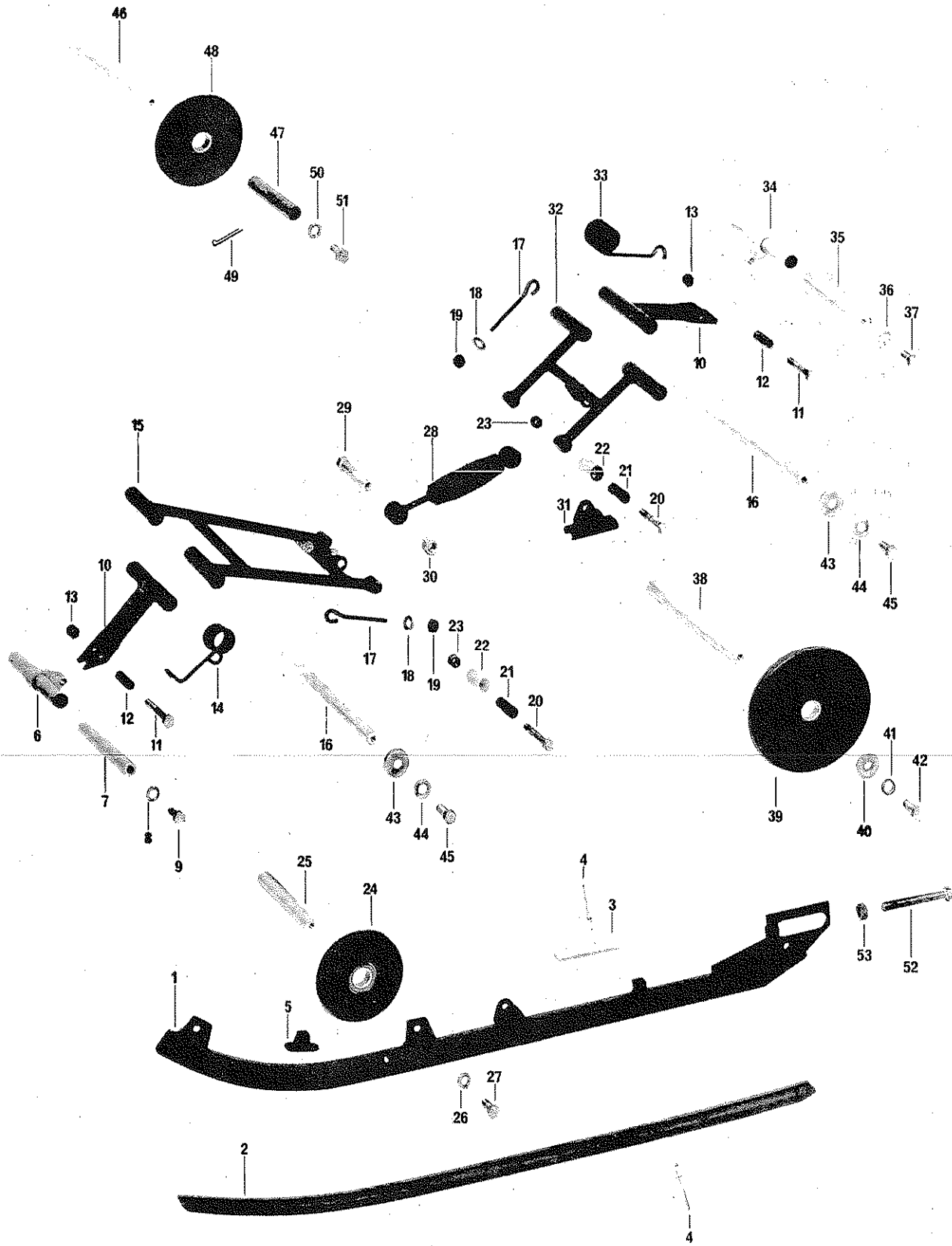
ITEM NO.	DESCRIPTION	QUANTITY				PART. NO.	
		294	343	440	EVT	1974	
1	N Runner	2	2	2		503 0305	
1	N Runner				2	503 0331	
2	N Slider Shoe	2	2	2		560 3024	
2	N Slider Shoe				2	560 3026	
3	Screw	2	2	2	2	321 7063	
4	Nut	2	2	2	2	386 9002	
5	Spirol Pin	2	2	2	2	372 0091	
6	N Front Arm Block	2	2	2	2	503 0336	
7	N Rivet	12	12	12	12	390 9040	
8	N Adjustment Plate R.H.	1	1	1	1	503 0326	
8	N Adjustment Plate L.H.	1	1	1	1	503 0327	
9	N Cross Tube	1	1	1	1	503 0339	
10 <input type="checkbox"/>	N Rivet	4	4	4	4	390 5025	
11	N Sliding Pad	2	2	2	2	560 3025	
12	Screw	4	4	4	4	324 9100	
13	N Sliding Support	2	2	2	2	503 0300	
14	N Cross Tube	1	1	1	1	503 0298	
15 <input type="checkbox"/>	Washer	8	8	8	8	399 9007	
16 <input type="checkbox"/>	N Screw	2	2	2	2	309 9019	
17	Nut	4	4	4	4	386 9001	
18	N Front Arm	1	1	1	1	503 0296	
19	N Stopper Strap	1	1	1	1	570 0321	
20 <input type="checkbox"/>	N Spacer Stopper strap	1	1	1	1	503 0342	
20 <input type="checkbox"/>	N Spacer	2	2	2	2	503 0330	
21 <input type="checkbox"/>	N Screw	1	1	1	1	300 5048	
22 <input type="checkbox"/>	Washer	2	2	2	2	399 9007	
23	Stop Bonding	4	4	4	4	570 0314	
24	Rivet	8	8	8	8	390 4020	
25	N Clevis Pin	2	2	2	2	414 1915	
26	Washer	4	4	4	4	399 9068	
27 <input type="checkbox"/>	N Cotter Pin	9	9	9	9	371 8010	
28	N Adjustment Cam R.H.	2	2	2	2	572 0309	
28	N Adjustment Cam L.H.	2	2	2	2	572 0308	
29 <input type="checkbox"/>	N Plate	2	2	2	2	503 0322	
30	N Clevis Pin	4	4	4	4	414 1919	
31	N Shaft	1	1	1	1	503 0315	
32	N Front Arm Bracket R.H.	1	1	1	1	503 0338	
32	N Front Arm Bracket L.H.	1	1	1	1	503 0337	
33	Bearing	4	4	4	4	405 4002	
34	N Idler	2	2	2	2	570 0316	
35 <input type="checkbox"/>	Circlip	5	5	5	5	371 9017	
36	N Cap	5	5	5	5	503 0323	
37 <input type="checkbox"/>	Grease Fitting (45°)	1	1	1	1	408 2003	
37 <input type="checkbox"/>	Grease Fitting	4	4	4	4	408 2001	
38	N Washer	2	2	2	2	517 0787	
39	N Screw	1	1	1	1	309 9018	
40	N Rear Arm	1	1	1	1	503 0295	
41 <input type="checkbox"/>	N Shock	1	1	1	1	414 2073	
42	N Bushing	1	1	1	1	572 0307	
43	N Clevis Pin	1	1	1	1	414 1914	
44	N Clevis Pin	2	2	2	2	414 1918	
45	N Rear Axle	1	1	1	1	503 0312	
46	N Idler	3	3	3	3	570 0318	

SLIDE (T'NT - EVEREST)



ITEM NO.	DESCRIPTION	QUANTITY				PART. NO.	
		294	343	440	EVT	1974	
47	N Bearing	1	1	1	1	405 4021	
48	N Spacer Tube	2	2	2	2	503 0324	
49	N Sliding Block	2	2	2	2	572 0306	
50	N Spacer Tube	2	2	2	2	503 0325	
51	N Washer	2	2	2	2	503 0329	
52	<input type="checkbox"/> N Bolt	2	2	2	2	309 9023	
53	N Adjustment Screw	2	2	2	2	309 9021	
54	Nut	2	2	2	2	380 9024	
55	<input type="checkbox"/> N Cross Shaft	2	2	2	2	503 0316	
56	N R.H. Front Spring	1	1	1	1	414 1990	
56	N L.H. Front Spring	1	1	1	1	414 1991	
57	N R.H. Rear Spring	1	1	1	1	414 1727	
57	N L.H. Rear Spring	1	1	1	1	414 1728	
58	N Bushing	4	4	4	4	572 0305	
59	Washer	4	4	4	4	399 9067	
60	Washer	4	4	4	4	392 0024	
61	N Screw	4	4	4	4	300 9084	
62	N Cross Shaft	1	1	1	1	503 0313	
63	N Idler	2	2	2	2	414 1963	
64	Washer	2	2	2	2	399 9007	
65	Washer	2	2	2	2	392 0022	
66	<input type="checkbox"/> N Screw	2	2	2	2	309 8081	

SLIDE (T'NT F.A.)



ITEM NO.	DESCRIPTION	QUANTITY			PART NO.		
		346	396	436	1974	1973	1972
1	Runner R.H.	1	1	1	503 0274	503 0274	
1	Runner L.H.	1	1	1	503 0275	503 0275	
2	Slider Shoe	2	2	2	560 3023	560 3023	
3	Sliding Pad	2	2	2	560 3021	560 3021	
4	Rivet	40	40	40	390 4023	390 4023	
5	Stop Bonding	4	4	4	570 0315	570 0315	
6	Front Tube	1	1	1	503 0302	503 0302	
7	Front Axle	1	1	1	503 0277	503 0277	
8	Lock Washer	2	2	2	399 8026	399 8026	
9	Screw	2	2	2	300 9081	300 9081	
10	Arm Support	2	2	2	503 0255	503 0255	
11	N Screw	2	2	2	301 3047	300 1047	
12	Bushing	2	2	2	503 0259	503 0259	
13	Nut	2	2	2	386 9001	386 6022	
14	Front Spring R.H.	1	1	1	414 1104	414 1104	
14	Front Spring L.H.	1	1	1	414 1105	414 1105	
15	Front Arm	1	1	1	503 0257	503 0257	
16	Cross Shaft	2	2	2	503 0279	503 0279	
17	Spring Tensioner	4	4	4	503 0191	503 0191	
18	Flat Washer	4	4	4	399 9007	399 9007	
19	Nut	4	4	4	386 6022	386 6022	
20	N Screw	4	4	4	301 3047	300 1047	
21	Spacer Sleeve	4	4	4	503 0223	503 0223	
22	Bushing	4	4	4	572 0302	572 0302	
23	Nut	4	4	4	386 9001	386 6022	
24	N Idler	2	2	2	414 2016	414 1121	
25	N Cross Shaft	1	1	1	503 0278	503 0278	
26	Washer	2	2	2	399 8026	399 8026	
27	Screw	2	2	2	300 9081	300 9081	
28	Shock	1	1	1	414 1526	414 1526	
29	N Screw	2	2	2	302 1128	301 7128	
30	N Nut	2	2	2	386 9007	386 7026	
31	Slider	2	2	2	503 0224	503 0224	
32	Rear Arm	1	1	1	503 0256	503 0256	
33	Rear Spring R.H.	1	1	1	414 1106	414 1106	
33	Rear Spring L.H.	1	1	1	414 1107	414 1107	
34	Rear Tube	1	1	1	503 0303	503 0303	
35	Spacer Shaft	1	1	1	503 0189	503 0189	
36	Washer	2	2	2	399 8026	399 8026	
37	Screw	2	2	2	301 7083	301 7083	
38	Rear Axle	1	1	1	503 0304	503 0304	
39	Idler	2	2	2	414 1496	414 1496	
40	Washer	2	2	2	503 0172	503 0172	
41	Washer	2	2	2	399 8026	399 8026	
42	Screw	2	2	2	300 9081	300 9081	
43	Cup	4	4	4	503 0291	503 0291	
44	Washer	4	4	4	399 8026	399 8026	
45	Screw	4	4	4	301 7083	301 7082	
46	N Cross Shaft	1	1	1	503 0333	503 0292	
47	Tube	1	1	1		503 0293	
48	N Wheel Ass'y	2	2	2	414 1941	414 1638	
49	Cotter Pin	2	2	2		371 0033	
50	Washer	2	2	2	399 9007	399 9007	
51	Screw	2	2	2	300 5041	300 1041	
52	Screw	2	2	2	309 8060	309 8060	
53	Nut	2	2	2	380 9026	380 9026	

(

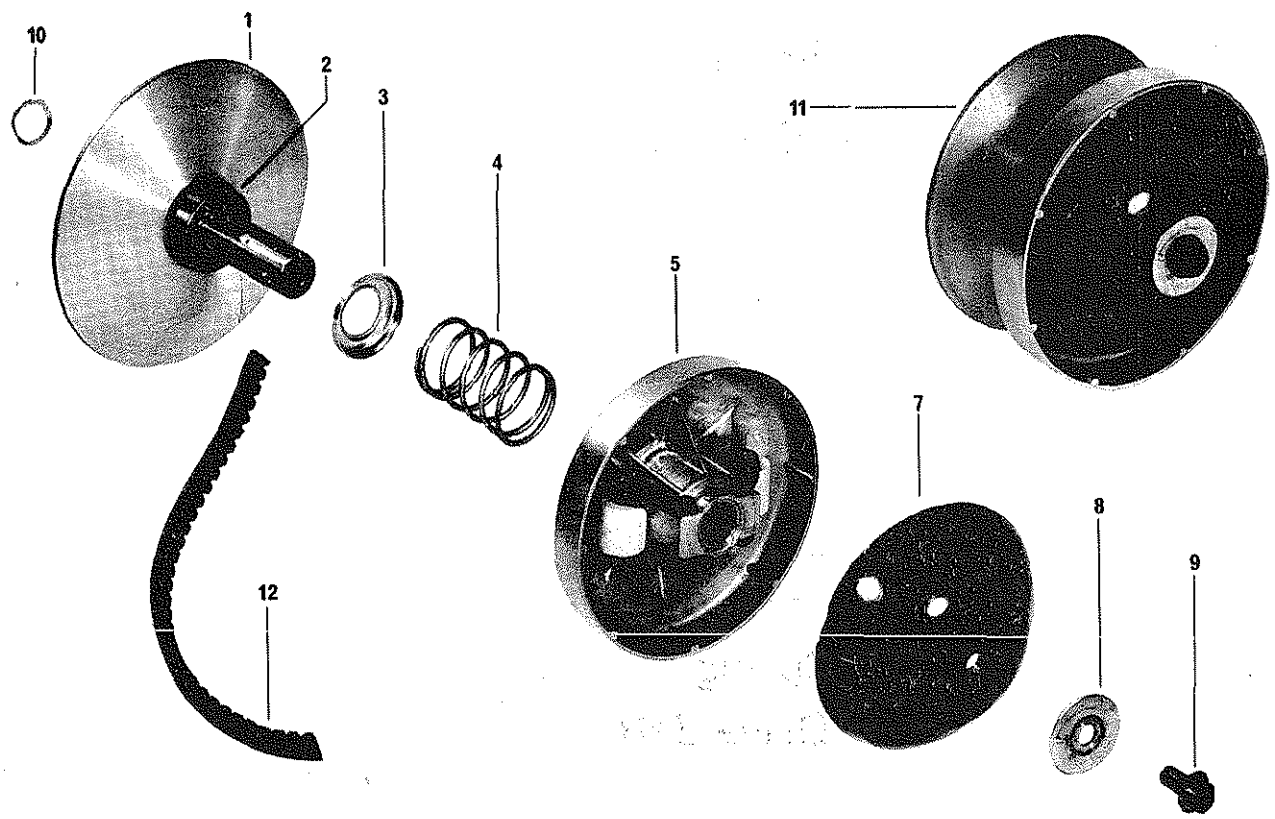
(

(

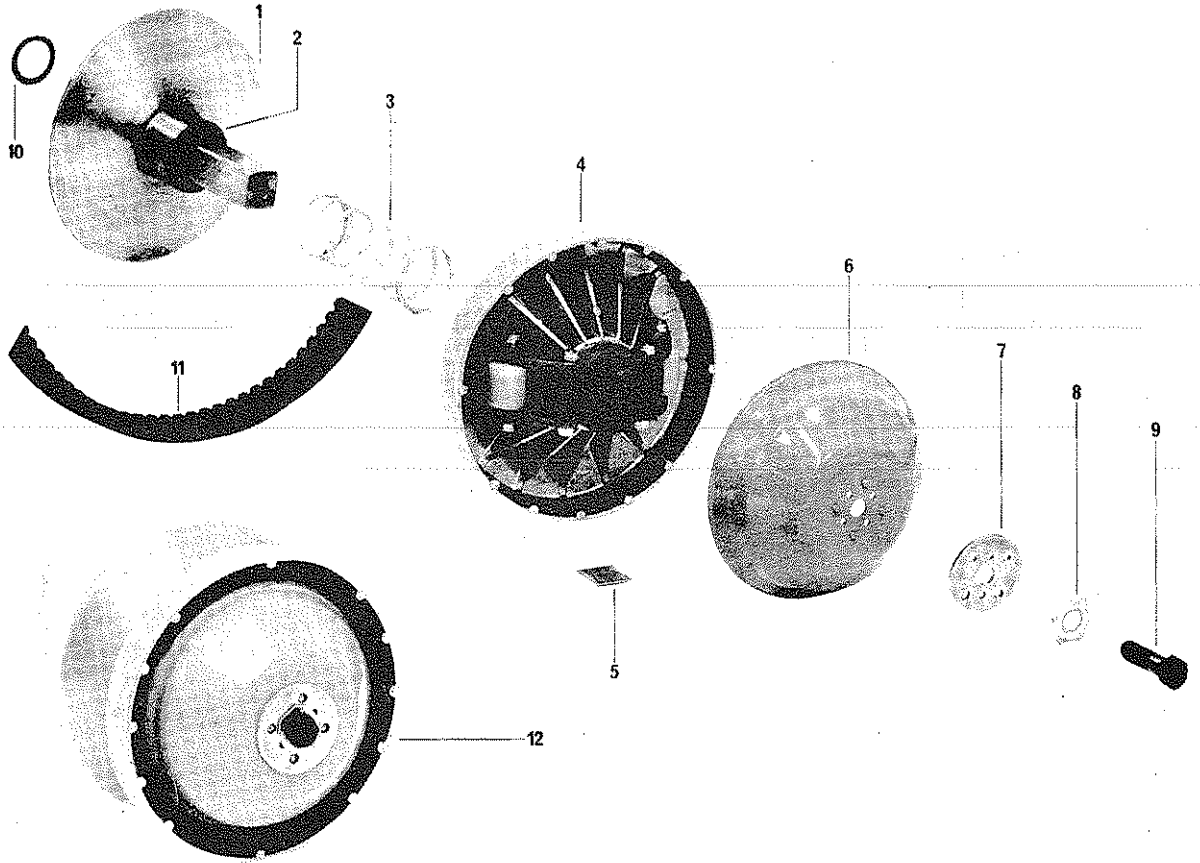
**SECTION
DRIVE**

**Outer half
Inner half
Spring
Drive Belt**

DRIVE PULLEY (ELAN)
292 in 1972 Only

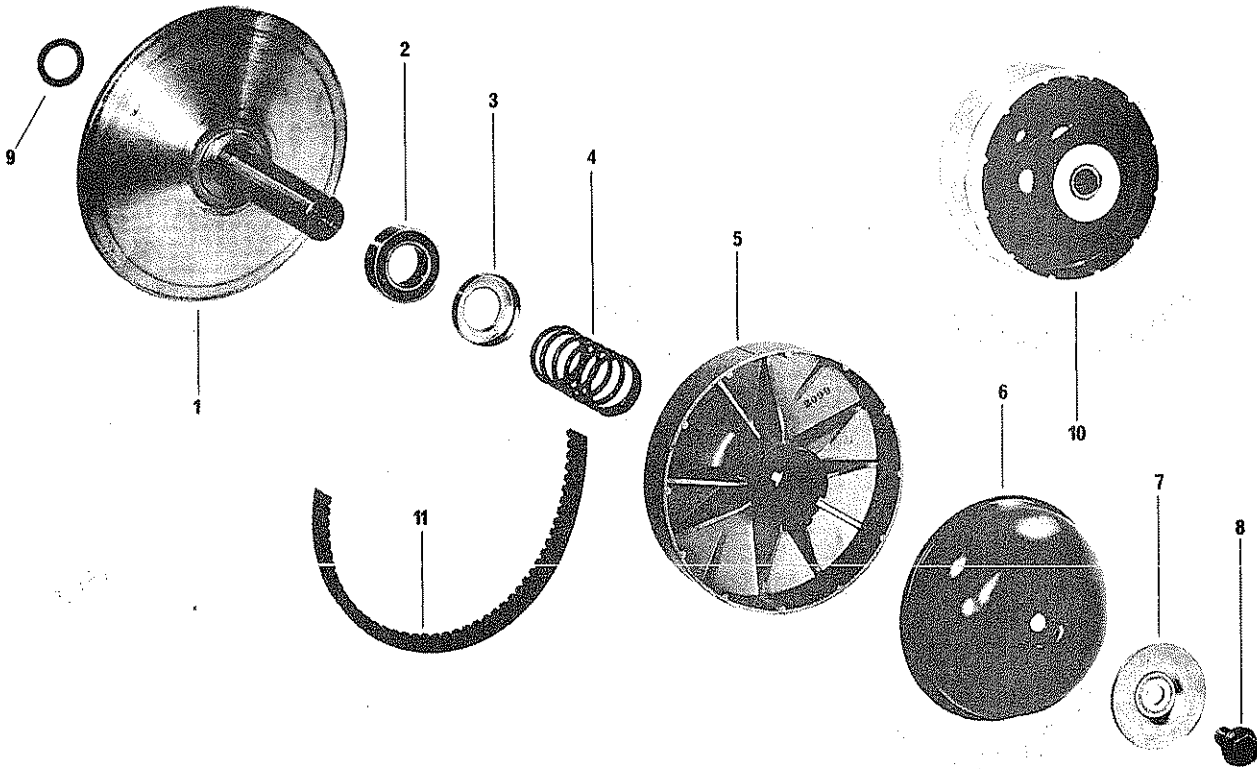


ITEM NO.	DESCRIPTION	QUANTITY				PART. NO.		
		247	248	249	292	1974	1973	1972
1	N Inner Half	1				504 2141	504 2091	504 2091
1	N Inner Half		1		1	504 2141	504 2141	504 2067
1□	Inner Half			1		504 2141	504 2091	
2	Bearing	1	1	1	1	405 4008	405 4008	405 4008
3	Spring Seat	1	1	1	1	504 0094	504 0094	504 0094
4	Spring	1			1	504 2129	414 0013	414 0013
4	Spring		1			414 1623	414 1623	
4□	Spring			1		414 1623	414 1587	
5	N Outer Half	1			1	504 2170	504 2134	504 2069
5	N Outer Half		1			504 2187	504 2130	
5□	N Outer Half			1		504 2187	504 2134	
7	Centrifugal Governor Cup	1			1	504 2186	582 1028	582 1025
7	Centrifugal Governor Cup		1			504 2186	504 2131	
7	Centrifugal Governor Cup			1		504 2186	582 0402	
8	Washer	1		1	1	504 2026	504 2072	504 2072
8	Washer		1			504 2026	504 2026	
9	Screw	1	1	1	1	309 8010	309 8010	309 8010
10	Shim	AR			AR	504 1009	504 1009	504 1009
10□	N Shim		AR	AR		504 1115	504 1009	504 1009
11	N Drive Pulley Ass'y	1				581 0430	581 1103	581 1081
11	N Drive Pulley Ass'y		1		1	581 0437	581 0421	581 1073
11	Drive Pulley Ass'y			1		581 0437	581 0433	
12	Drive Belt	1	1	1	1	570 0411	570 0411	570 0411



ITEM NO.	DESCRIPTION	QTY	PART NO.		
			1974		
1	N Inner Half	1	504 2217		
2	N Sleeve	1	504 2209		
3	N Spring	1	414 1995		
4	N Outer Half	1	504 2216		
5	N Slide	4	504 2207		
6	N Centrifugal Governor	1	504 2206		
8	N Tab Washer	1	504 2190		
9	N Screw	1	309 8080		
10	N Shim	AR	504 1115		
11	Drive Belt	1	570 0411		
12	N Drive Pulley Ass'y	1	581 0438		

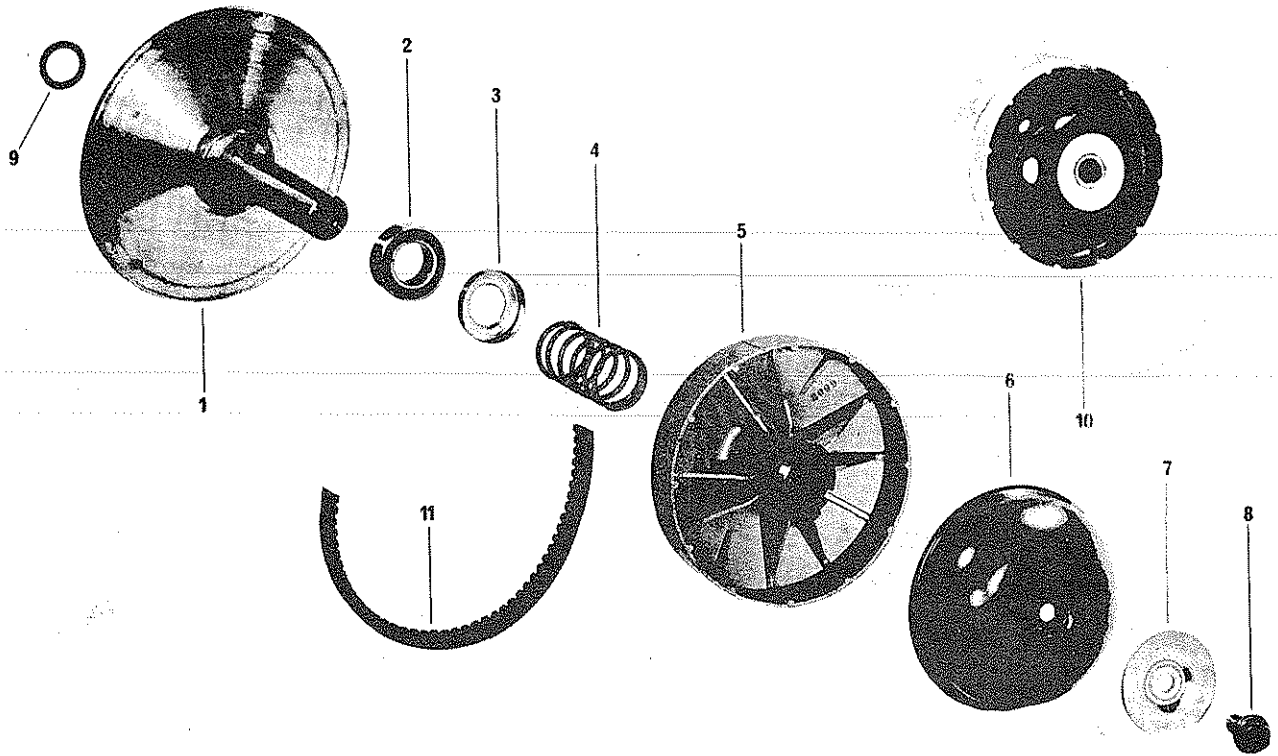
DRIVE PULLEY (OLYMPIQUE)
In 1974 - 302 - 338 - 401 Only



ITEM NO.	DESCRIPTION	QUANTITY					PART NO.		
		302	337	338	401	434	1974	1973	1972
1	Inner Half	1		1	1		504 2091	504 2091	504 2091
1	Inner Half		1			1		504 2067	504 2067
2	Bearing	1	1	1	1	1	405 4008	405 4008	405 4008
3	Spring Seat	1	1	1	1	1	504 0094	504 0094	504 0094
4	Spring	1	1	1	1		414 0013	414 0013	414 0013
4	Spring					1		414 1587	
5	Outer Half	1	1	1	1	1	504 2134	504 2134	504 2069
6	Centrifugal Governor	1	1	1	1		582 1028	582 1028	
	Centrifugal Governor	1	1						582 1025
	Centrifugal Governor				1				582 1026
6	Centrifugal Governor					1		582 1029	
7	Washer	1	1	1	1	1	504 2072	504 2072	504 2072
8	Special Screw	1	1	1	1	1	309 8010	309 8010	
9	Shim	AR	AR	AR	AR	AR	504 1009	504 1009	504 1009
9	Shim		AR			AR		504 1057	504 1057
10	Drive Pulley Ass'y	1		1	1		581 1103	581 1103	
	Drive Pulley Ass'y	1							581 1081
	Drive Pulley Ass'y				1				581 1086
10	Drive Pulley Ass'y		1			1		581 1102	581 1073
11	Drive Belt	1	1	1	1	1	570 0411	570 0411	570 0411

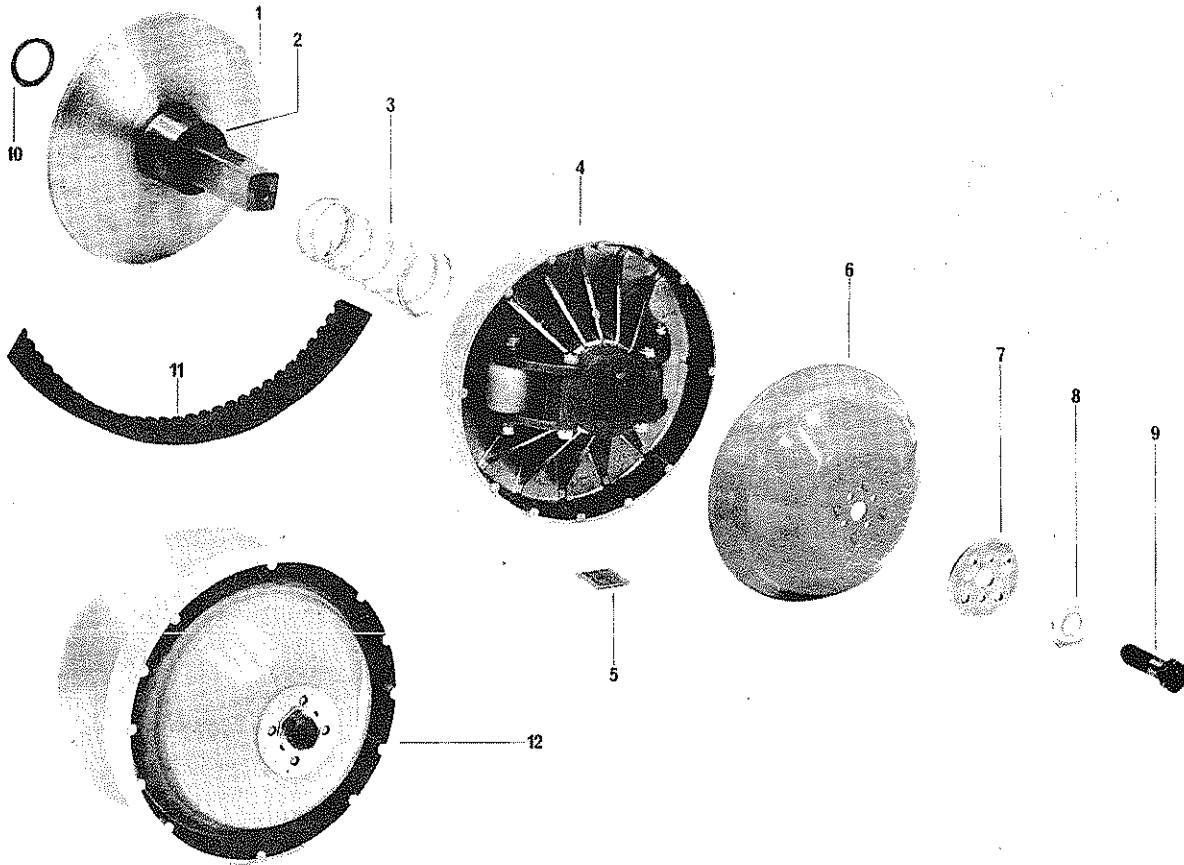
DRIVE PULLEY (VALMONT - ALPINE)
In 1974 Alpine 434ER - 640ER Only

1974



ITEM NO.	DESCRIPTION	QUANTITY			PART NO.		
		V434	A434	A640	1974	1973	1972
1	Inner Half	1	1		504 2074	504 2067	504 2067
1	Inner Half			1	504 2145	504 2145	504 2067
2	Bearing	1	1	1	405 4008	405 4008	405 4008
3	Spring Seat	1	1	1	504 0094	504 0094	504 0094
4	Spring	1	1	1	414 1587	414 1587	414 0013
5	Outer Half	1	1		504 2134	504 2134	504 2068
5	Outer Half			1	504 2134	504 2134	504 2069
6	Centrifugal Governor	1	1		582 1029	582 1029	582 1025
6	Centrifugal Governor			1	582 3012	582 3012	582 0210
7	Washer	1	1	1	504 2072	504 2072	504 2072
8	Special Screw	1	1	1	309 8010	309 8010	309 8010
9	Shim	AR	AR	AR	504 1057	504 1057	504 1057
10	Drive Pulley Ass'y	1	1		581 1109	581 1109	581 1073
10	Drive Pulley Ass'y			1	581 3032	581 3032	581 0143
11	Drive Belt	1	1		570 0411	570 0411	570 0411
11	Drive Belt			1	570 0414	570 0414	570 0414

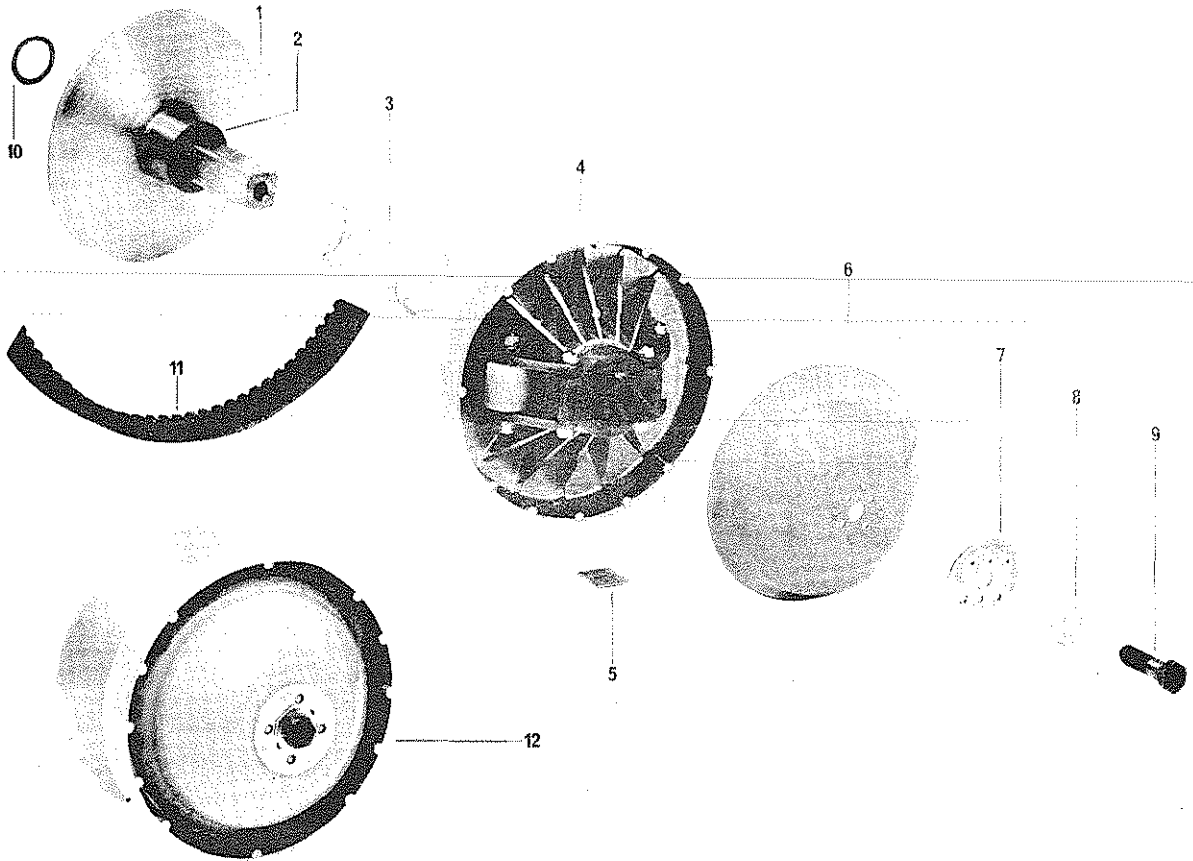
DRIVE PULLEY (NORDIC)
434 in 72 only



ITEM NO.	DESCRIPTION	QUANTITY		PART NO.		
		434	640	1974	1973	1972
1	N Inner Half	1	1	504 2211	504 2145	504 2067
2	N Sleeve		1	504 2209		
	Bearing	1	1		405 4008	405 4008
	Spring Seat	1	1		504 0094	504 0094
3	N Spring	1	1	414 1966	414 0013	414 0013
4	N Outer Half (434E in 72)	1	1	504 2205	504 2134	504 2099
	Outer Half	1				504 2100
5	N Slide		4	504 2207		
6	N Centrifugal Governor		1	504 2206	582 0214	582 0108
	Centrifugal Governor	1				582 1025
7	Washer	1	1		504 2072	504 2072
8	N Tab Washer		1	504 2190		
9	N Screw	1	1	309 8080	309 8010	309 8010
10	Shim	AR	AR	504 1057	504 1057	504 1057
11	Drive Belt		1	570 0414	570 0414	570 0414
	Drive Belt	1				570 0411
12	N Drive Pulley Ass'y		1	581 0188	581 0183	581 0151
	Drive Pulley Ass'y	1				581 0169

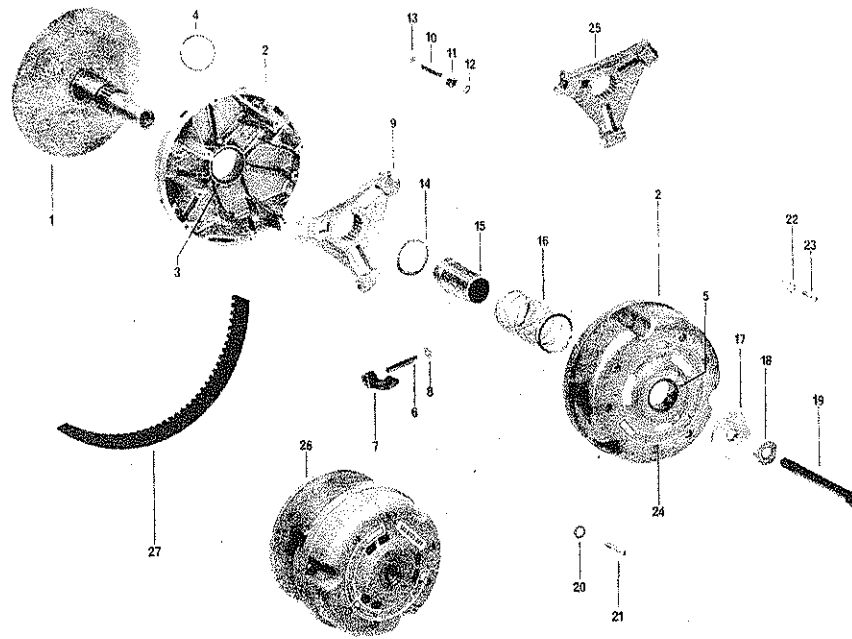
DRIVE PULLEY (T'NT - EVEREST)
294 in 73 - 72 only

1974



ITEM NO.	DESCRIPTION	QUANTITY				PART. NO.		
		294	343	440	EVT	1974	1973	1972
1	<input type="checkbox"/> N Inner Half	1				504 2217	504 2091	504 2067
1	N Inner Half		1			504 2204	504 2091	504 2091
1	<input type="checkbox"/> N Inner Half			1	1	504 2211	504 2091	504 2067
2	<input type="checkbox"/> N Sleeve	1	1	1	1	504 2209		
	Bearing	1	1	1			405 4008	405 4008
	Spring Seat	1	1	1			504 0094	504 0094
3	<input type="checkbox"/> N Spring	1				414 1995	504 2087	414 0013
3	N Spring		1	1	1	414 1967	414 1587	414 1129
4	<input type="checkbox"/> N Outer Half	1				504 2216	504 2134	504 2069
4	<input type="checkbox"/> N Outer Half		1			504 2180	504 2134	504 2069
4	N Outer Half			1	1	504 2210	504 2134	504 2069
5	<input type="checkbox"/> N Slide	4	4	4	4	504 2207		
6	<input type="checkbox"/> N Centrifugal Governor	1				504 2206	582 0216	582 1025
6	N Centrifugal Governor		1			504 2206	502 1028	582 1025
6	N Centrifugal Governor			1	1	504 2206	582 0217	582 0215
7	<input type="checkbox"/> Washer	1	1	1			504 2072	504 2072
8	N Tab Washer	1	1	1	1	504 2190		
9	N Screw	1	1	1	1	309 8080	309 8010	309 8010
10	Shim	AR	AR			504 1009	504 1009	504 1057
10	<input type="checkbox"/> Shim			AR	AR	504 1057	504 1057	504 1057
11	<input type="checkbox"/> Drive Belt	1	1			570 0411	570 0411	570 0411
11	<input type="checkbox"/> Drive Belt			1	1	570 0414	570 0414	570 0414
12	<input type="checkbox"/> N Drive Pulley Ass'y	1				581 0438	581 0287	581 1073
12	N Drive Pulley Ass'y		1			581 1110	581 0284	581 0262
12	N Drive Pulley Ass'y			1	1	581 0607	581 0288	581 0261

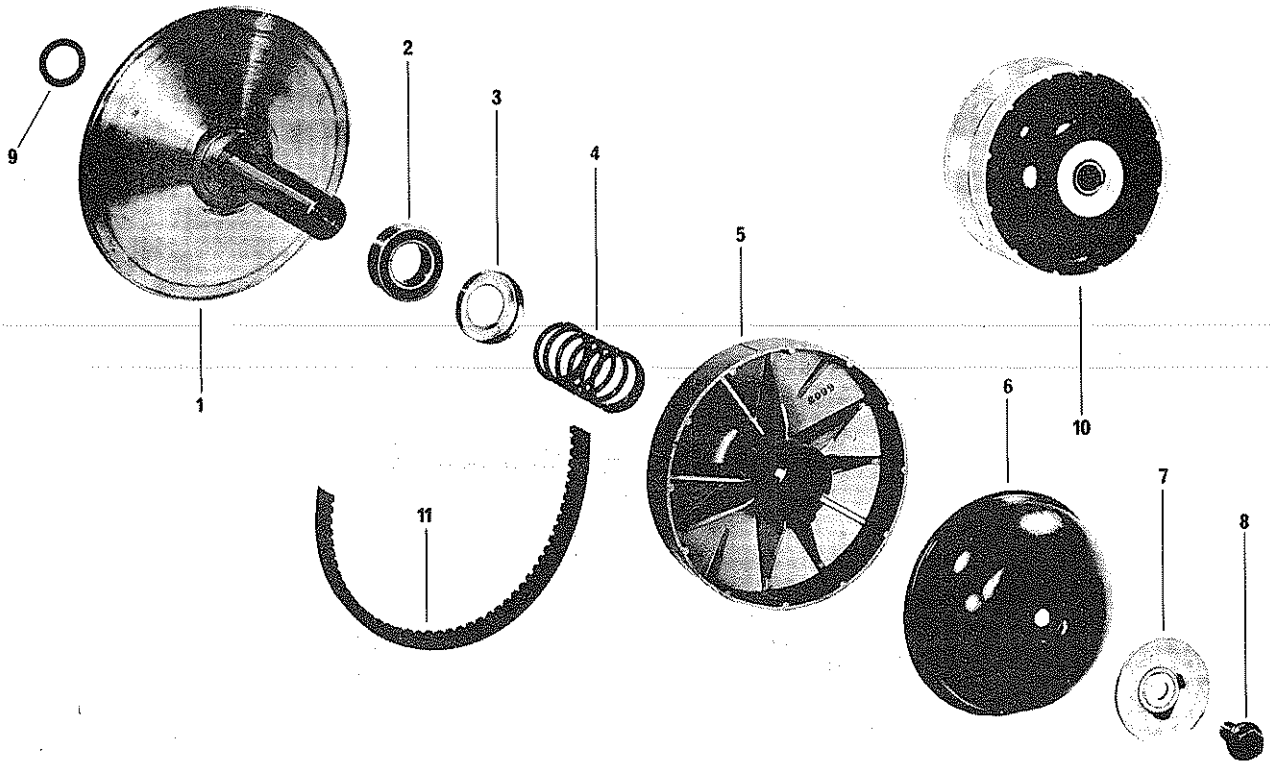
DRIVE PULLEY (T'NT F.A.)



ITEM NO.	DESCRIPTION	QUANTITY			PART NO.		
		346	396	436	1974	1973	1972
1	N Inner Half	1	1	1	504 2196	504 2148	
2	N Outer Half and Governor Guard w/Bushing	1	1	1	860 4003	860 4002	
3	N Outer Half Bushing	1	1	1	504 2191	504 2163	
4	N Retaining Ring	1	1	1	504 2192		
5	Governor Guard Bushing	1	1	1	504 2198	504 2198	
6	N Pressure Lever Axle	3	3	3	504 2219	504 2162	
7	Pressure Lever	3			504 2160	504 2160	
7	Pressure Lever		3		504 2159	504 2159	
7	Pressure Lever			3	504 2159		
8	Wear Washer	6	6	6		504 2161	
9	Governor	1	1	1	504 2149	504 2149	
10	Roller Axle	3	3	3	504 2158	504 2158	
11	N Roller	3	3	3	504 2218	504 2156	
12	Wear Washer	6	6	6		504 2155	
13	Glider	6	6	6	504 2154	504 2154	
14	N Washer	1	1	1	504 2189	504 2185	
15	N Sleeve	1	1	1	504 2193	504 2153	
16	Clutch Release Spring	1	1	1	414 1572	414 1572	
17	N Washer	1	1	1	504 2188	504 2152	
18	N Tab Washer	1	1	1	504 2222		
19	Screw	1	1	1	301 7172	301 7172	
20	Lock Washer	3	3	3	399 8010	399 8010	
21	Screw	3	3	3	320 5103	320 5103	
22	Lock Washer	6	6	6	394 1013	394 1013	
23	Screw	6	6	6	320 5063	320 5063	
24	Drive Pulley Label	1	1	1	414 1639	414 1639	
25	N Governor Ass'y	1	1	1	582 0318	582 0313	
26	N Drive Pulley Ass'y	1			581 0603	581 0387	
26	N Drive Pulley Ass'y		1	1	581 0602	581 0386	
27	N Drive Belt	1	1	1	414 1884	414 1884	
28	N Safety Ring (Not Ill.)	1	1	1	504 2197		

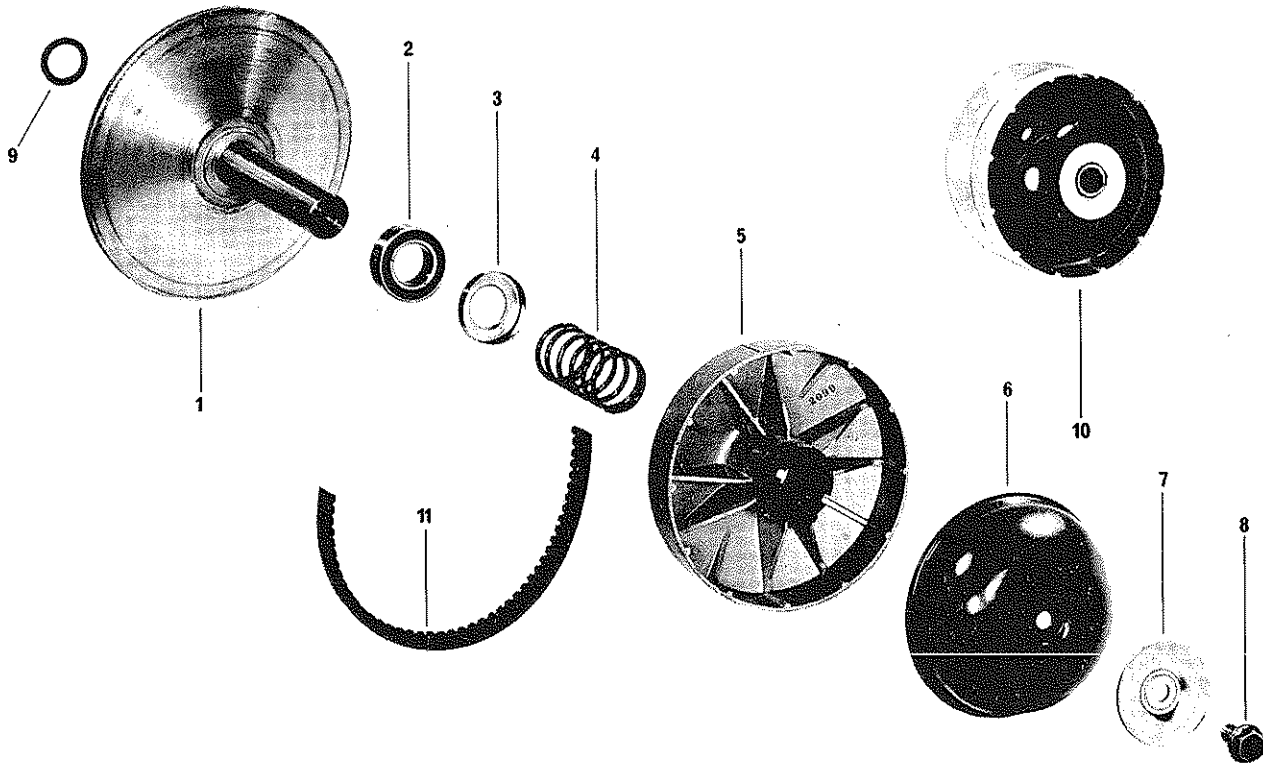
DRIVE PULLEY (T'NT 400-640-775)

1974



ITEM NO.	DESCRIPTION	QUANTITY			PART NO.	
		400	640	775	1972	
1	Inner Half	1	1	1	504 2067	
2	Bearing	1	1	1	405 4008	
3	Spring Seat	1	1	1	504 0094	
4	Spring	1			504 2087	
4	Spring		1	1	414 0013	
5	Outer Half	1	1	1	504 2069	
6	Centrifugal Governor	1			582 0215	
6	Centrifugal Governor		1		582 0214	
6	Centrifugal Governor			1	582 0213	
7	Washer	1	1	1	504 2072	
8	Screw	1	1	1	309 8010	
9	Shim	AR	AR	AR	504 1057	
10	Drive Pulley Ass'y	1			581 0261	
10	Drive Pulley Ass'y		1		581 0165	
10	Drive Pulley Ass'y			1	581 0268	
11	Drive Belt	1			570 0411	
11	Drive Belt		1	1	570 0414	

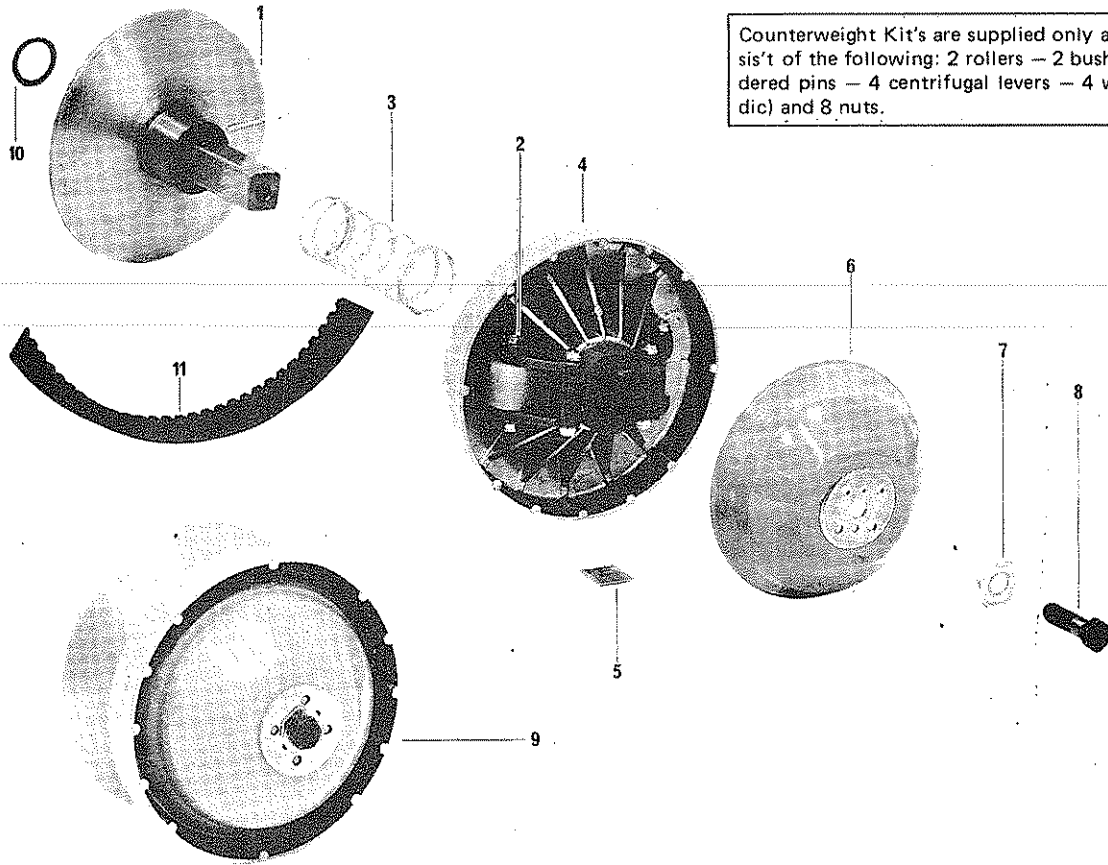
DRIVE PULLEY (Skandic)



ITEM NO.	DESCRIPTION	QUANTITY		PART NO.	
		337		1973	
1	Inner Half	1		504 2091	
2	Bearing	1		405 4008	
3	Spring Seat	1		504 0094	
4	Spring	1		414 0013	
5	Outer Half	1		504 2134	
6	Centrifugal Governor	1		582 1028	
7	Washer	1		504 2072	
8	Screw	1		309 8010	
9	Shim	AR		504 1057	
10	Drive Pulley Ass'y	1		581 1102	
11	Drive Belt	1		570 0411	

DRIVE PULLEY (SQUARE SHAFT)

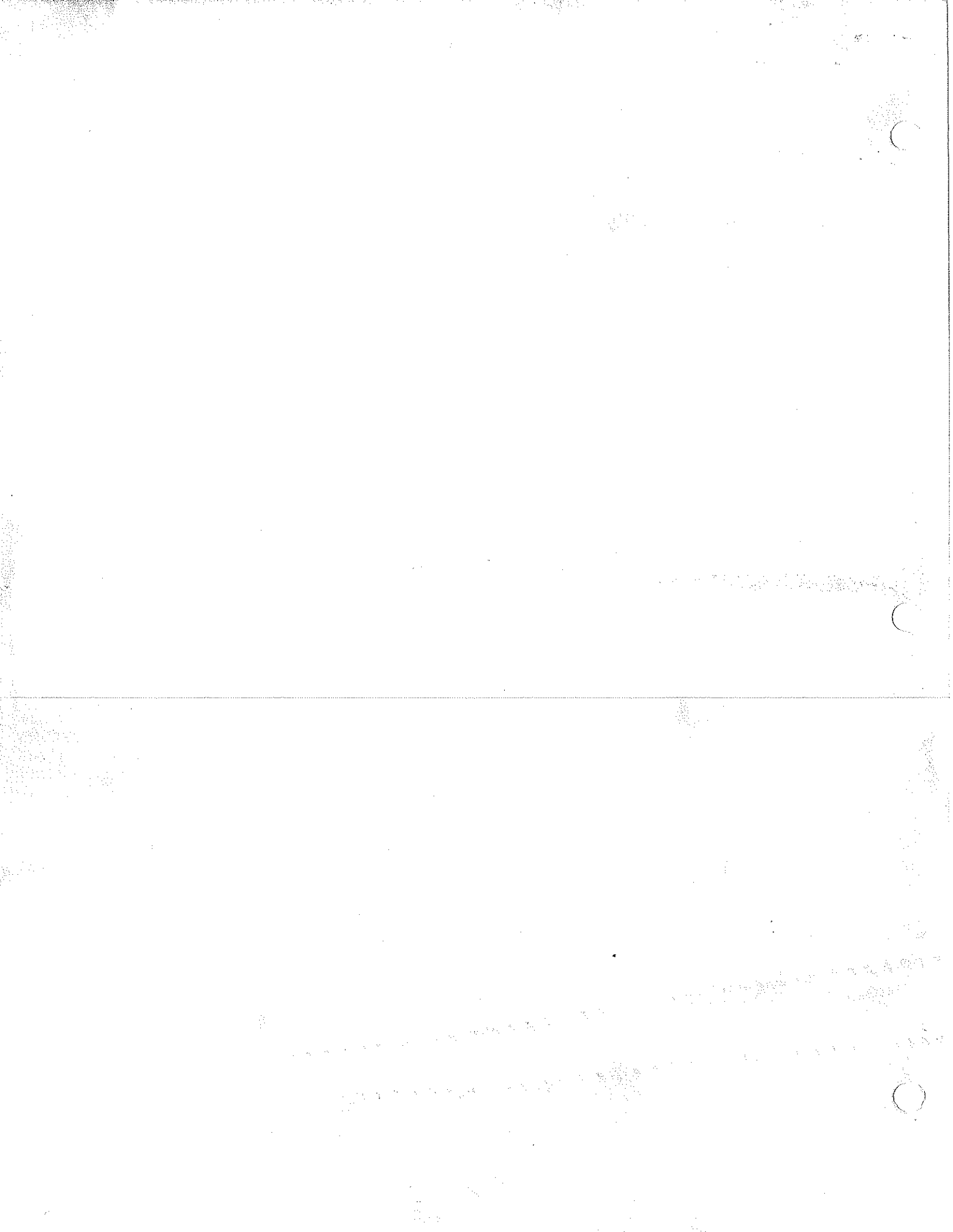
1974

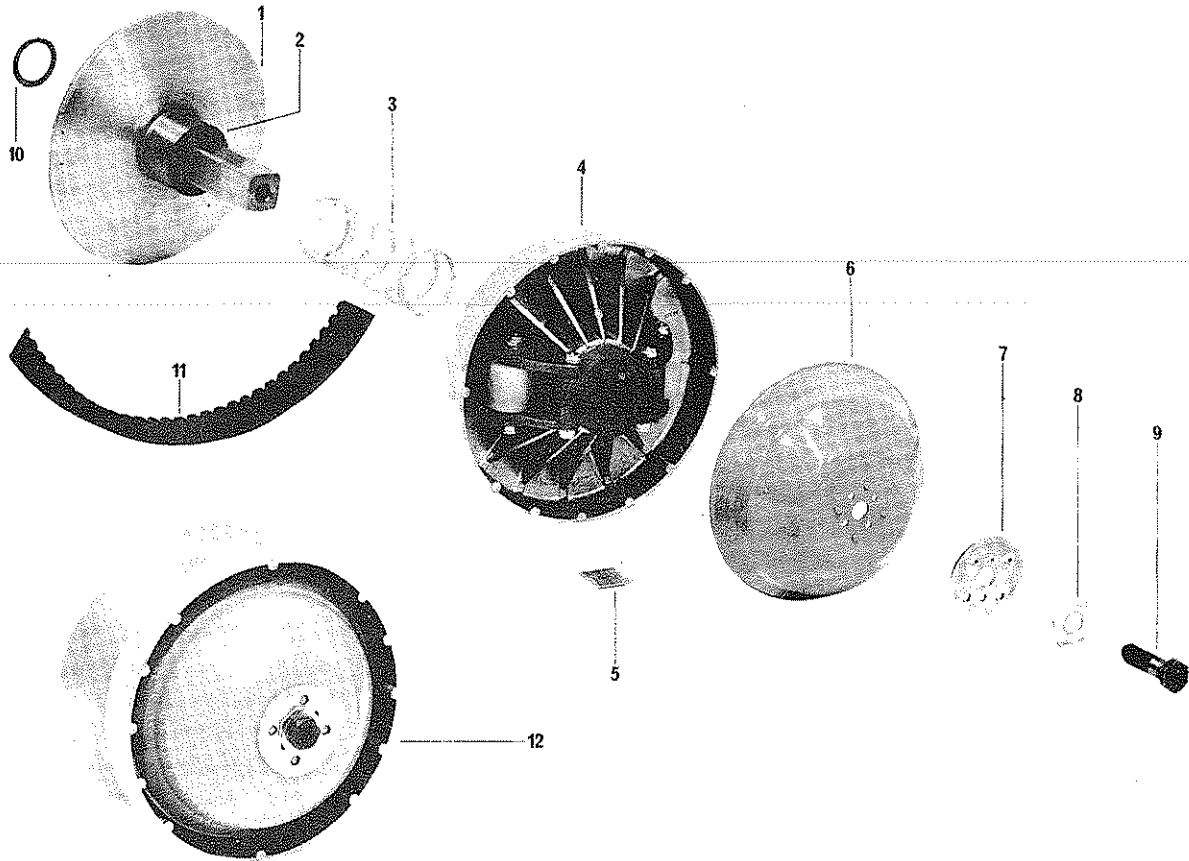


Counterweight Kit's are supplied only as such and consists of the following: 2 rollers — 2 bushings — 4 shouldered pins — 4 centrifugal levers — 4 washer (on Nordic) and 8 nuts.

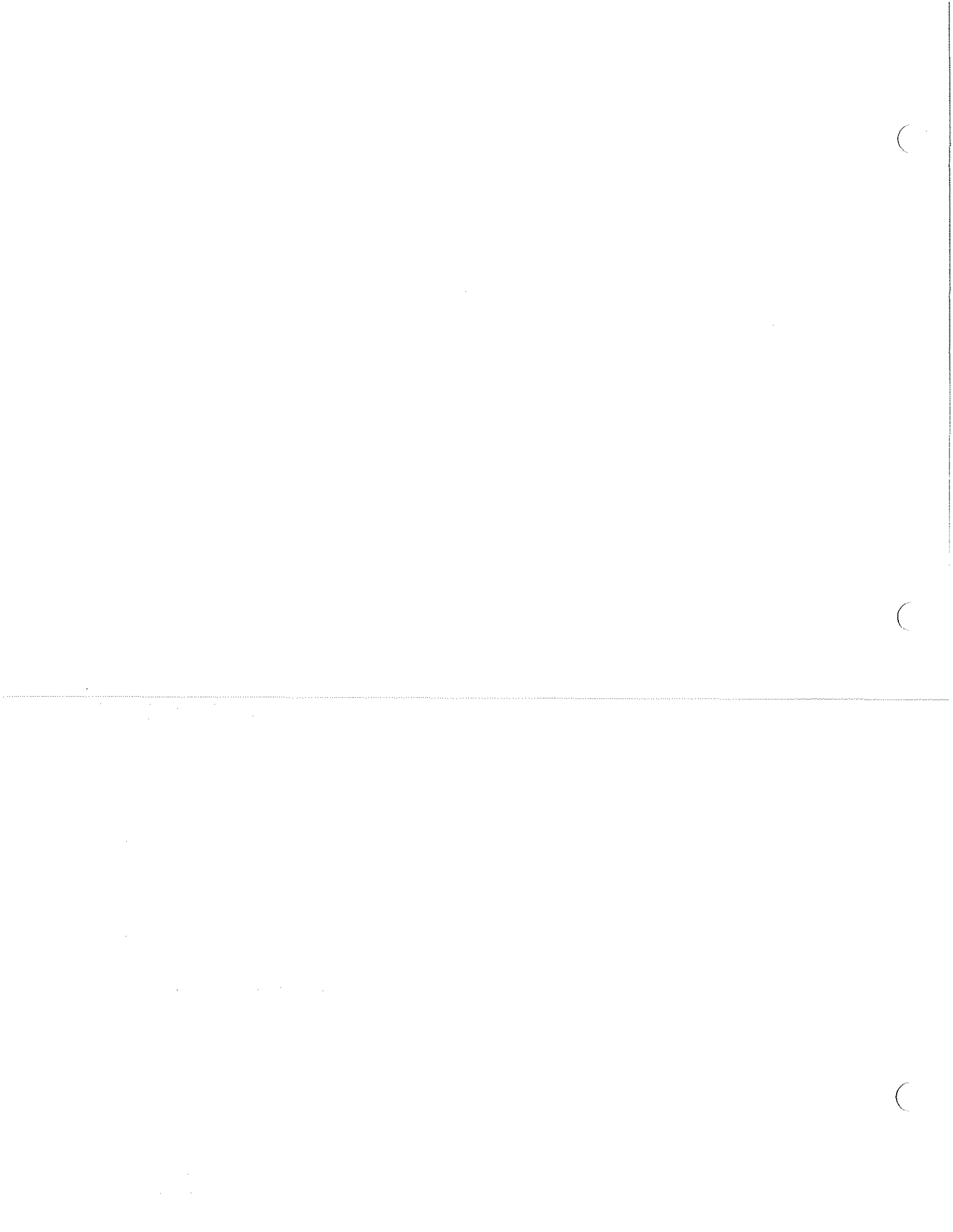
ITEM NO	DESCRIPTION	PART NO.				
		ELAN. F.C 294	ELITE 434	NORDIC 640	F.C. 343	F.C. EVT 440
1	N Inner Half W/Sleeve	504 2217	504 2211	504 2211	504 2204	504 2211
2	N Counterweight Kit	860 4005	860 4006	860 4007	860 4008	860 4009
3	N Spring	414 1995	414 1967	414 1966	414 1967	414 1967
4	N Outer Half	504 2216	414 2220	504 2205	504 2180	504 2210
5	N Slide (Kit of 4)	504 2207	504 2207	504 2207	504 2207	504 2207
6	N Centrifugal Governor Cup	504 2206	504 2206	504 2206	504 2206	504 2206
7	N Tab Washer	504 2190	504 2190	504 2190	504 2190	504 2190
8	N Screw	309 8080	309 8080	309 8080	309 8080	309 8080
9	N Drive Pulley Ass'y	581 0438	581 8010	581 0188	581 1110	581 0607
10	Shim (Elan Only)	504 1115				
10	Shim (FC Only)	504 1009				
10	Shim		504 1057	504 1057	504 1009	504 1057
11	Drive Belt	570 0411	570 0414	570 0414	570 0411	570 0414

Sleeve No.504 2209 No more Available Alone.
ThisPage Replace Column 1974 of Pages 3-6-7-11





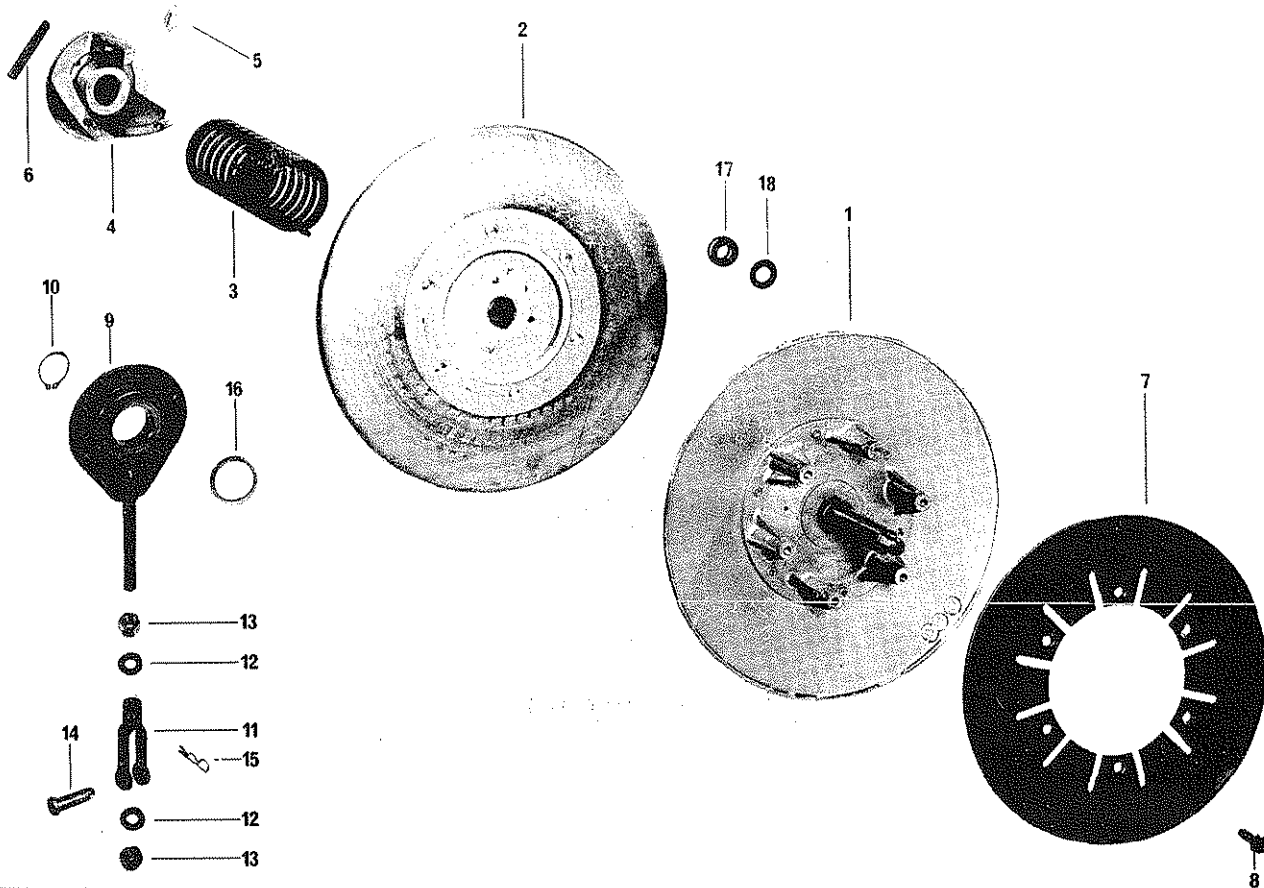
ITEM NO.	DESCRIPTION	QTY	PART NO.	
			1974	1973
1	N Inner Half	1	504 2211	504 2074
2	Sleeve			
	Bearing	1		405 4008
	Spring Seat	1		504 0094
3	N Spring	1	414 1967	414 0013
4	N Outer Half	1	504 2220	504 2134
5	N Slide	4	504 2207	
6	N Centrifugal Governor Cup	1	504 2206	582 1029
7	Washer	1		504 2072
8	N Tab Washer	1	504 2190	
9	N Screw	1	309 8080	309 8010
10	Shim	AR	504 1057	504 1057
11	Drive Belt	1	570 0414	570 0414
12	N Drive Pulley Ass'y	1	581 8010	581 8005



**SECTION
DRIVEN**

Fixed Pulley
Sliding Pulley
Spring
Outer Cam
Pulley Support

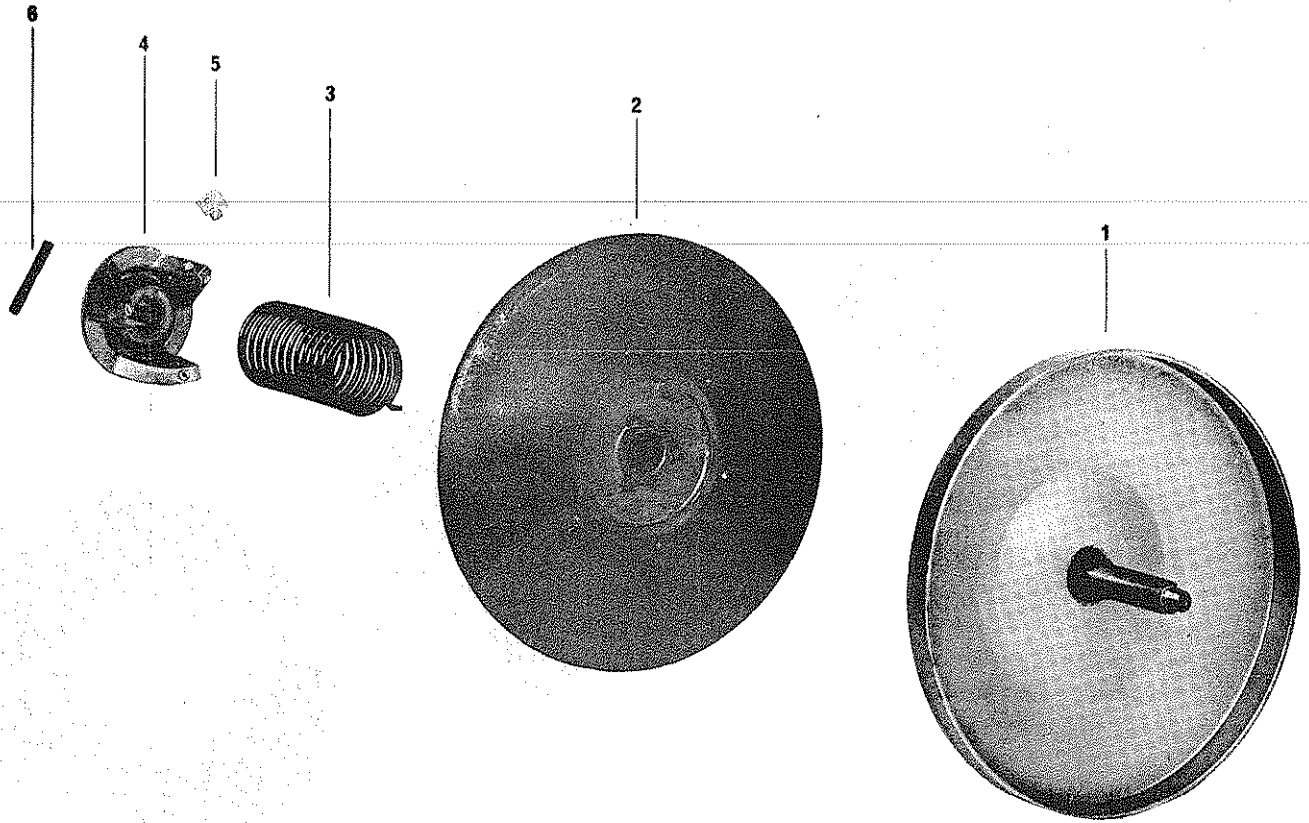
DRIVEN PULLEY (ELAN)
 292 (1 Cyl.) in '72 Only 294 (2 Cyl.) in '74 Only



ITEM NO.	DESCRIPTION	QUANTITY					PART NO.		
		247	248	249	292	294	1974	1973	1972
1	N Fixed Pulley	1	1		1		504 1111	504 1059	504 1059
1	N Fixed Pulley			1		1	504 1110	504 1094	
2	Sliding Pulley	1	1		1		504 1060	504 1060	504 1060
2	Sliding Pulley			1		1	504 1070	504 1093	
3	Release Spring	1	1		1		414 0967	414 0967	414 0967
3	Release Spring			1			414 0138	414 0138	
4	Outer Cam	1	1		1		560 4001	560 4001	560 4001
4	□ Outer Cam W/Shoe			1		1	504 1071	504 1071	
5	Cam Slider Shoe	3	3	3	3	3	414 0126	414 0126	414 0126
6	Spirol Pin	1	1		1		372 0123	372 0123	372 1123
6	Spirol Pin			1		1	372 0124	372 0124	
7	Disk			1				504 1075	
8	Screw			6				369 0007	
9	□ Support			1			504 1079	504 1079	
9	□ N Support					1	504 0272		
10	Snap Ring			1		1	414 0948	414 0948	
11	Bracket			1		1	504 0228	504 0228	
12	Washer			2		2	399 9007	399 9007	
13	□ N Nut			2		2	381 0022	380 7022	
14	Clevis Pin			1		1	414 1425	414 1425	
15	Hair Pin Cotter			1		1	414 1083	414 1083	
16	Spacer			1		1	504 0218	504 0218	
17	□ N Spacer					1	572 0412		
18	□ N Spacer					1	504 1116		

DRIVEN PULLEY (OLYMPIQUE)
In 1974 - 302 - 338 - 401 Only

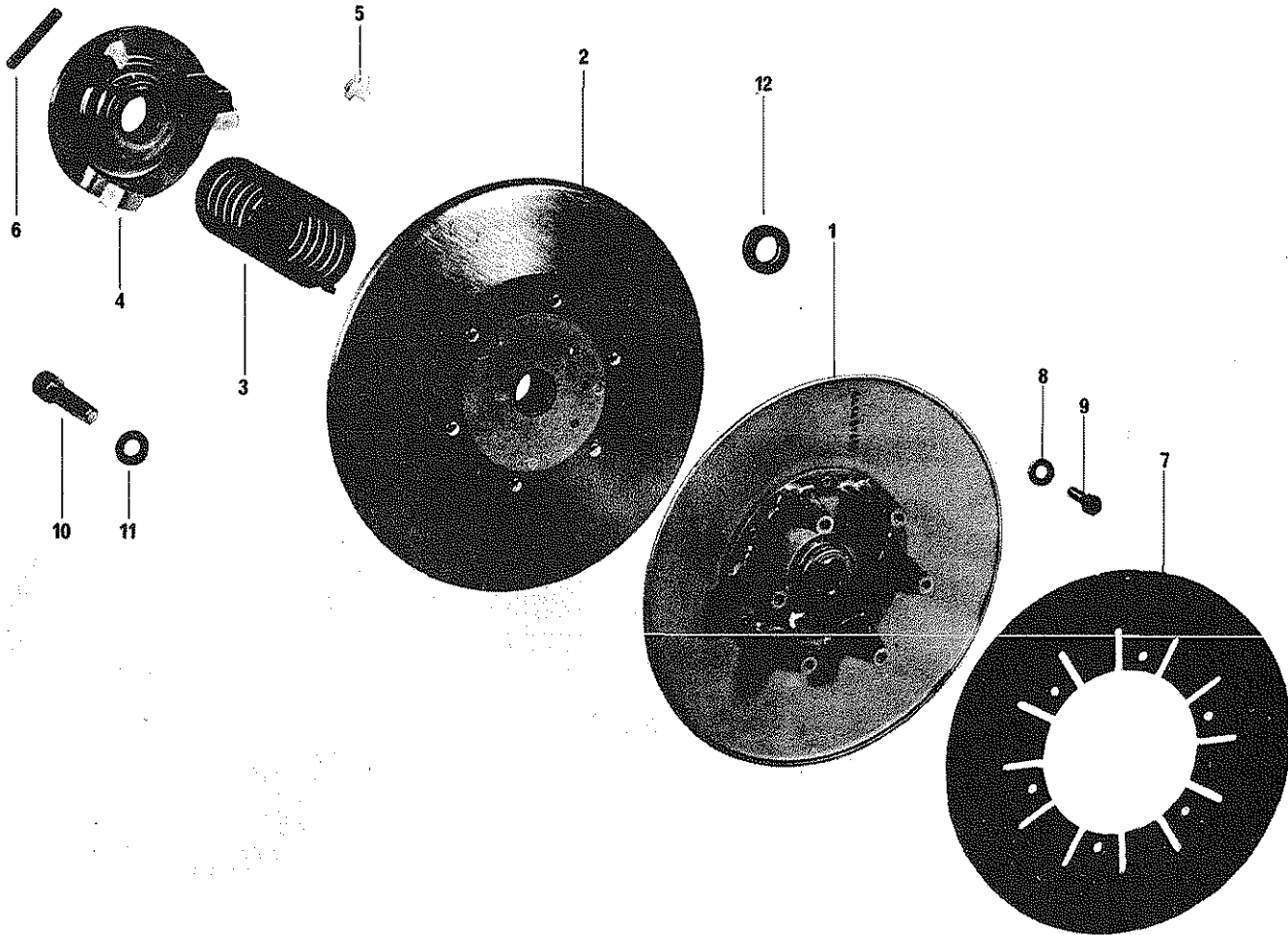
1974



ITEM NO.	DESCRIPTION	QUANTITY					PART NO.		
		302	337	338	401	434	1974	1973	1972
1	Fixed Pulley	1	1	1	1		504 1062	504 1062	504 1062
1	Fixed Pulley					1		504 1110	
2	Sliding Pulley	1	1	1	1		504 1061	504 1061	504 1061
2	Sliding Pulley					1		504 1070	
3	Release Spring	1	1	1	1		414 0967	414 0967	414 0967
3	Release Spring					1		414 0138	
4	Outer Cam	1	1	1	1		560 4001	560 4001	560 4001
4	Outer Cam W/Shoe					1		504 1071	
5	Cam Slider Shoe	3	3	3	3	3	414 0126	414 0126	414 0126
6	Spirol Pin	1	1	1	1		372 0123	372 0123	372 0123
6	Spirol Pin					1		372 0124	

1974

DRIVEN PULLEY (NORDIC)
434 in 1972 Only



ITEM NO.	DESCRIPTION	QUANTITY		PART NO.		
		434	640	1974	1973	1972
1	Fixed Pulley		1	504 1103	504 1103	504 1074
1	Fixed Pulley	1				504 1073
2	Sliding Pulley		1	504 1070	504 1070	504 1070
2	Sliding Pulley	1				504 1061
3	Release Spring		1	414 0138	414 0138	414 0138
3	Release Spring	1				414 0967
4	Outer Cam W/Shoe		1	504 1102	504 1102	504 1071
4	Outer Cam	1				560 4001
5	Cam Slider Shoe	3	3	414 0126	414 0126	414 0126
6	Spirol Pin		1	372 0124	372 0124	372 0124
6	Spirol Pin	1				372 0123
7	Disk	1	1	504 1075	504 1075	504 1075
8	<input type="checkbox"/> Washer	6	6			392 0019
9	Screw	6	6	369 0007	369 0007	369 0007
10	Screw		1	309 8058	309 8058	309 8058
11	Shim		2	504 1009	504 1009	504 1009
12	<input type="checkbox"/> N Spacer		1	572 0413		

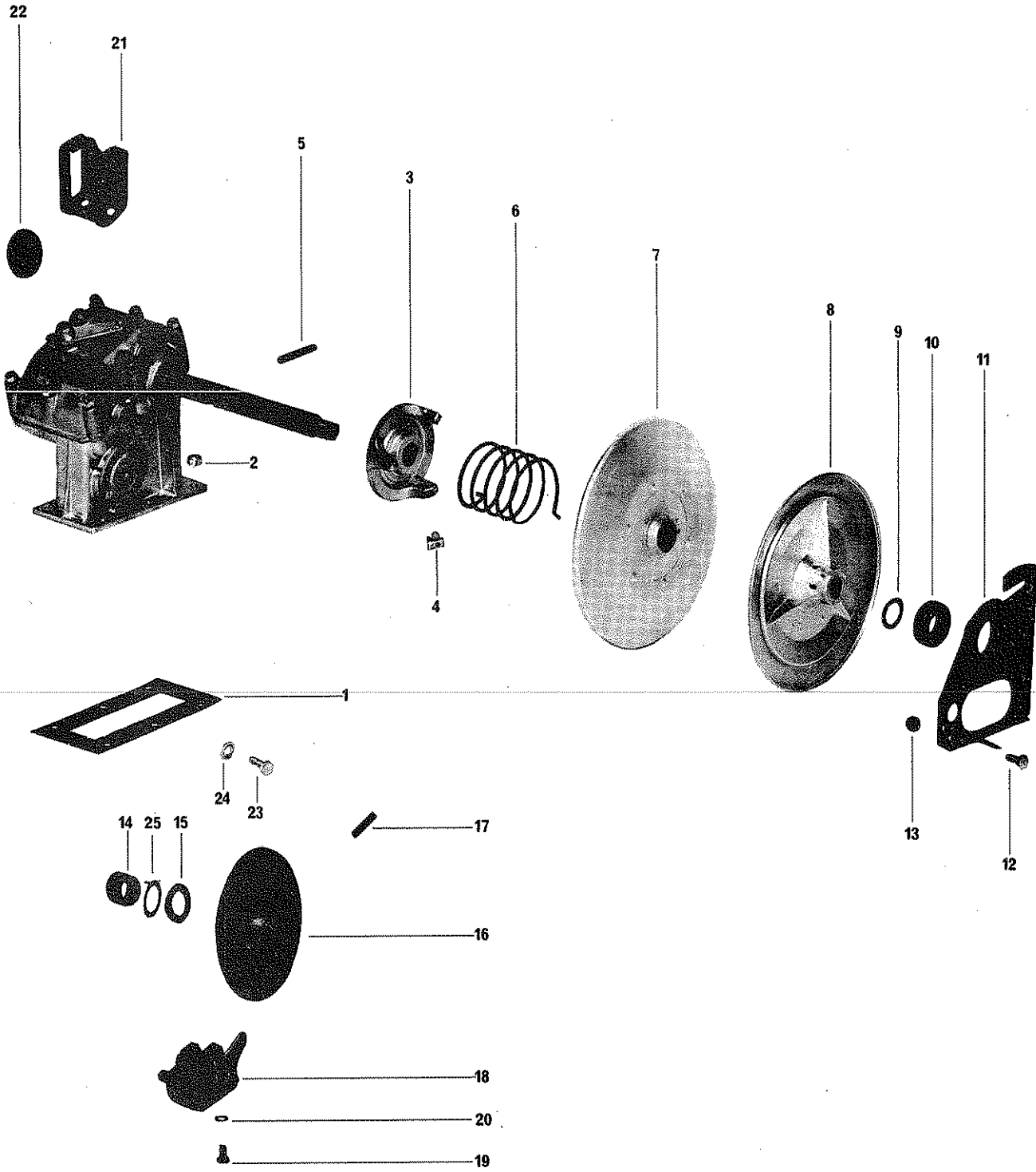
()

()

()



DRIVEN PULLEY (VALMONT - ALPINE)



DRIVEN PULLEY (VALMONT - ALPINE)
In 1974 Alpine 434ER - 640ER Only

1974

ITEM NO.	DESCRIPTION	QUANTITY			PART NO.		
		V434	A434	A640	1974	1973	1972
1	Gasket	1	1	1	504 1052	504 1052	504 1052
2	Nut	6	6	6	386 6022	386 6022	386 6022
3	Outer Cam	1	1	1	504 1065	504 1065	504 1035
4	Cam Slider Shoe	3	3	3	414 0126	414 0126	414 0126
5	Spirol Pin	2	2	2	372 0124	372 0124	372 0124
6	Release Spring	1	1	1	560 1001	560 1001	560 1001
7	Sliding Pulley	1	1	1	504 1044	504 1044	504 1044
8	Fixed Pulley	1	1	1	504 1043	504 1043	504 1043
9	Spacer	1	1	1	504 0231	504 0231	
10	Bearing	1	1	1	405 4004	405 4004	405 4004
11	Support	1	1	1	504 0233	504 0233	504 0135
	Pulley Guard Holder	1	1	1			517 0303
	Screw	1	1	1			300 0004
	Nut	1	1	1			386 6019
12	Screw	2	2	2	300 1041	300 1041	300 1041
13	Nut	2	2	2	386 6022	386 6022	386 6022
14	Spacer	1	1	1	504 0232	504 0232	504 0136
15	Spring Washer	1	1	1	399 9072	417 0008	417 0008
16	Disk	1	1	1	507 0053	507 0053	507 0053
17	Roll Pin	1	1	1	372 1122	372 1122	372 1122
18	Brake Unit (See Section Brake)	1	1	1	414 1413	414 1413	414 1181
19	Screw	2	2	2	300 5040	300 5040	300 5040
20	Washer	2	2	2	394 0022	394 0022	394 0022
21	Steering Bracket	1	1	1	506 0109	506 0109	506 0109
22	Rubber Cover	1	1	1	570 0416	570 0416	570 1737
23	Screw (To Drain Chain Case)	1	1	1	300 1040	300 1040	
24	Washer	1	1	1	399 9048	399 9048	
25	□ Shim		1	1	504 1082		

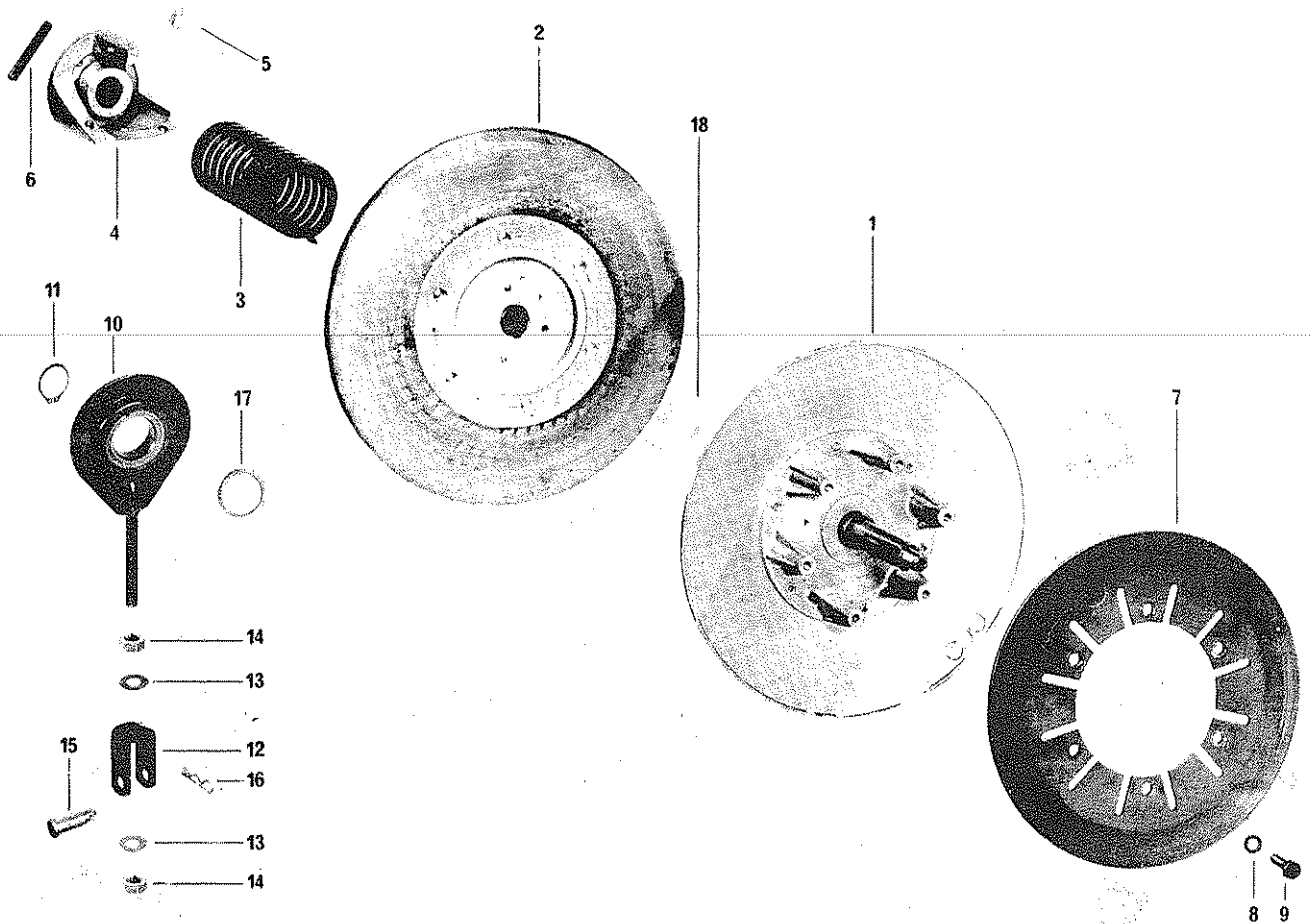
(

(

(

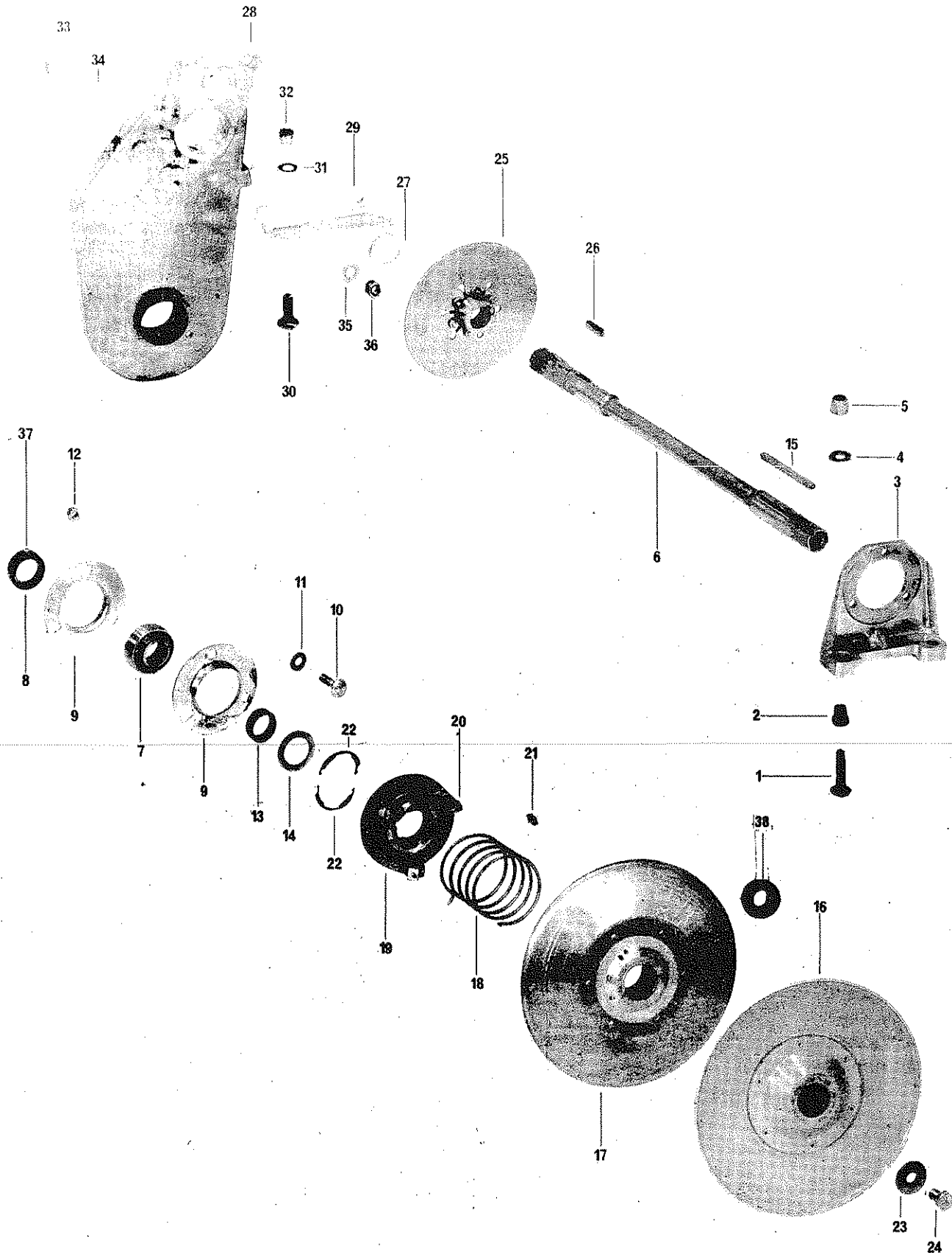
DRIVEN PULLEY (T'NT - EVEREST)

1974



ITEM NO.	DESCRIPTION	QUANTITY				PART NO.		
		294	343	440	EVT	1974	1973	1972
1□	Fixed Pulley	1				504 1094	504 1094	504 1078
1	Fixed Pulley		1	1	1	504 1094	504 1094	504 1094
2□	Sliding Pulley	1				504 1093	504 1093	504 1070
2	Sliding Pulley		1	1	1	504 1093	504 1093	504 1093
3	Release Spring	1	1	1	1	414 0138	414 0138	414 0138
4	Outer Cam w/Shoe	1	1	1	1	504 1071	504 1071	504 1071
5	Cam Slider Shoe	3	3	3	3	414 0126	414 0126	414 0126
6	Spirall Pin	1	1	1	1	372 0124	372 0124	372 0124
7	Disk	1	1			504 1075	504 1068	504 1075
7	Disk		1	1	1	504 1075	504 1068	504 1068
8	Washer	6	6	6				392 0019
9	Screw	6	6	6	6	369 0007	369 0007	369 0007
10	N Support	1	1	1	1	504 0272	504 1079	504 1079
11	Snap Ring	1	1	1	1	414 0948	414 0948	414 0948
12	N Bracket	1	1	1	1	504 0271	504 0228	114 0062
13	Washer	2	2	2			399 9007	
14□	Nut	1	1	1	1		380 7022	380 7022
15	N Clevis Pin	1	1	1	1	414 1813	414 1425	414 0910
16	Hair Pin Cotter	1	1	1	1	414 1083	414 1083	414 1083
17	Spacer	1	1	1	1	504 0218	504 0218	504 0218
18□	N Spacer	1	1	1	1	572 0412		

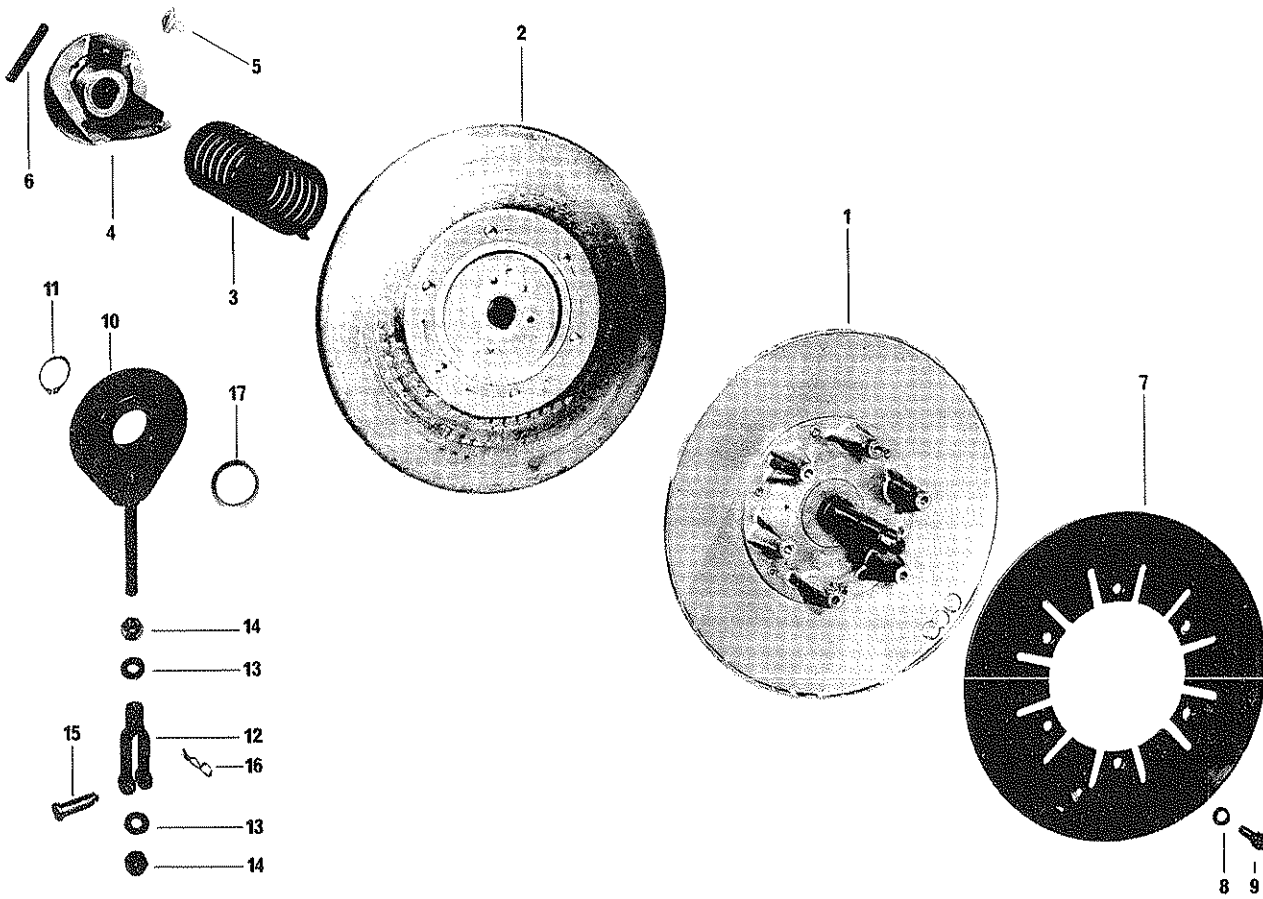
DRIVEN PULLEY (T'NT F.A.)



DRIVEN PULLEY (T'NT F.A.)

1974

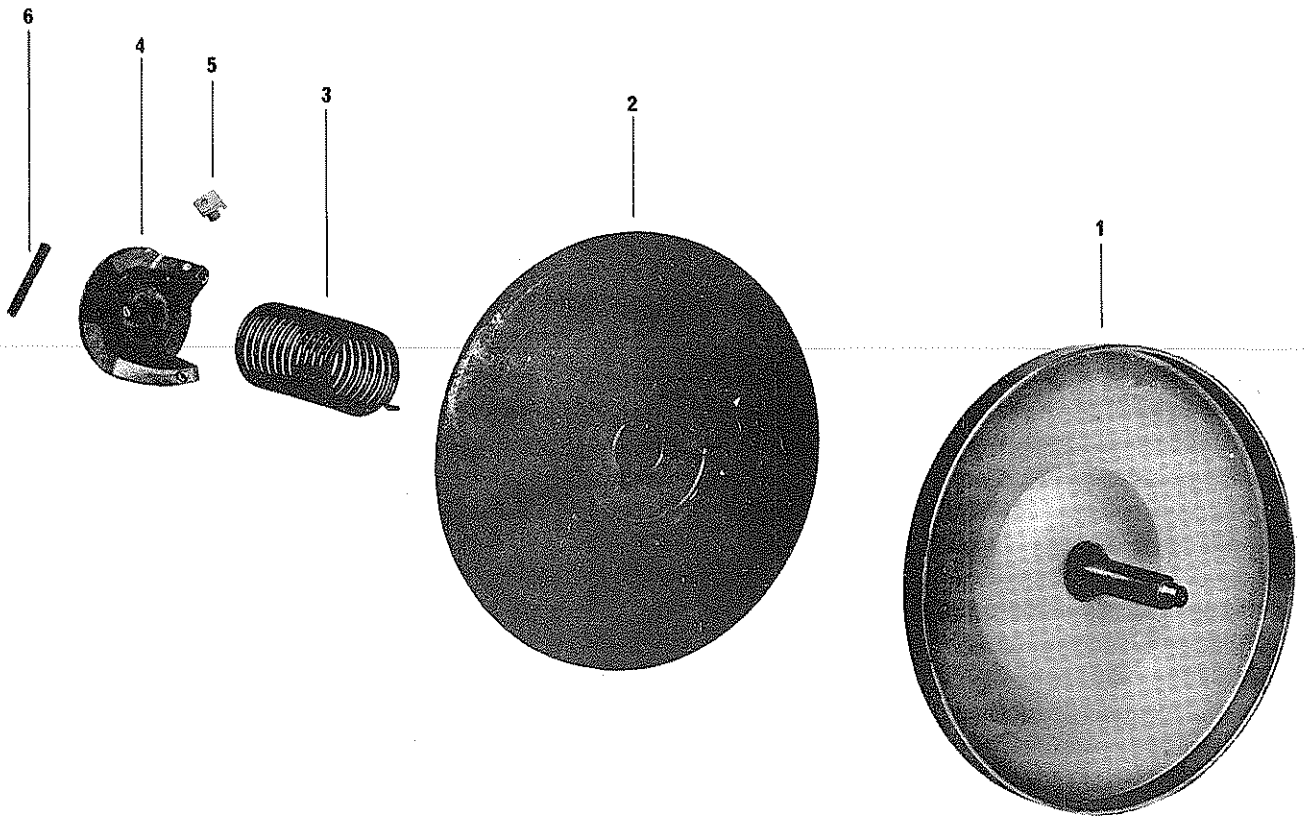
ITEM NO.	DESCRIPTION	QUANTITY			PART NO.		
		346	396	436	1974	1973	1972
1	Bolt	2	2	2	360 8010	360 8010	
2	Spacer Bushing	2	2	2	512 0011	512 0011	
3□	Support	1	1	1	414 1584	414 1584	
4	Washer	2	2	2	399 9067	399 9067	
5	Nut	2	2	2	386 6024	386 6024	
6	Counter Shaft	1			504 0265	504 0265	
6	Counter Shaft		1	1	504 1109	504 1109	
7	Bearing	1	1	1	405 4019	405 4019	
8	Collar	1	1	1	405 4013	405 4013	
9	Flange Housing	2	2	2	405 4018	405 4018	
10□ N	Bolt	3	3	3	360 9009	360 8020	
11	Washer	3	3	3	399 9007	399 9007	
12□	Nut	3	3	3	386 9001	386 6022	
13	Spacer	1	1	1	504 0252	504 0252	
14	Shim	AR	AR	AR	504 1082	504 1082	
15	Key	1	1	1	504 1095	504 1095	
16□ N	Fixed Pulley	1	1	1	504 1117	504 1099	
17□ N	Sliding Pulley	1	1	1	504 1118	504 1098	
18	Release Spring	1	1	1	414 1712	414 1712	
19	Outer Cam W/Shoe	1	1	1	504 1088	504 1088	
20	Cam Slider Shoe	3	3	3	414 0126	414 0126	
21	Key	1	1	1	504 1090	504 1090	
22	Locking Ring	1	1	1	391 9015	391 9015	
23	Washer	1	1	1	503 0172	503 0172	
24	Screw	1	1	1	309 8061	309 8061	
25	Disk	1	1	1	414 1538	414 1538	
26	Key	1	1	1	504 1084	504 1084	
27	Spacer	1	1	1	504 0245	504 0245	
28	Chain Case	1	1	1	504 0242	504 0242	
29	Angle	1	1	1	504 0243	504 0243	
30	Bolt	2	2	2	360 8010	360 8010	
31	Washer	2	2	2	399 9067	399 9067	
32	Nut	2	2	2	386 6024	386 6024	
33□ N	Screw	2	2	2	301 3043	300 9043	
34	Copper Washer	2	2	2	399 9048	399 9048	
35	Washer	2	2	2	399 9007	399 9007	
36	Nut	2	2	2	386 9001	386 6022	
37	Screw	1	1	1	365 2003	365 2003	
38□ N	Spacer	AR	AR	AR	572 0419		
38□ N	Spacer	AR	AR	AR	572 0420		
38□ N	Spacer	AR	AR	AR	572 0421		



ITEM NO.	DESCRIPTION	QUANTITY			PART NO.	
		400	640	775	1972	
1	Fixed Pulley	1			504 1094	
1	Fixed Pulley		1	1	504 1078	
2	Sliding Pulley	1			504 1093	
2	Sliding Pulley		1	1	504 1070	
3	Release Spring	1	1	1	414 0138	
4	Outer Cam	1	1	1	504 1071	
5	Cam Slider Shoe	3	3	3	414 0126	
6	Spirol Pin	1	1	1	372 0124	
7	Disk	1	1	1	504 1068	
8	Washer	6	6	6	392 0019	
9	Screw	6	6	6	369 0007	
10	Support	1	1	1	504 1079	
11	Snap Ring	1	1	1	414 0948	
12	Clevis	1	1	1	114 0062	
13	Clevis Pin	1	1	1	414 0910	
14	Hair Pin Cotter	1	1	1	414 1083	
15	Spacer	1	1	1	504 0218	

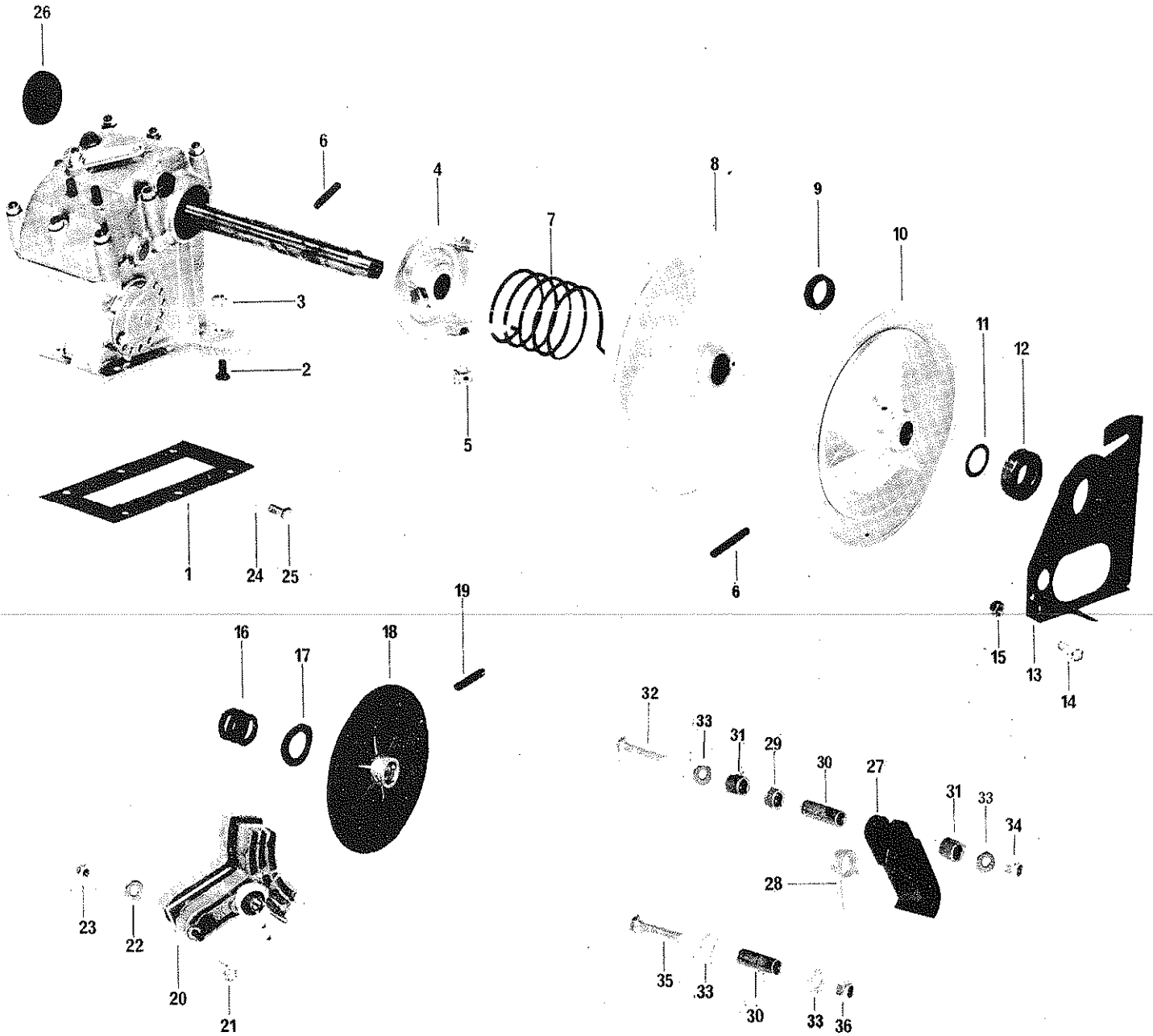
DRIVEN PULLEY (Skandic)

1974



ITEM NO.	DESCRIPTION	QUANTITY		PART NO.	
		337		1973	
1	Fixed Pulley	1		504 1062	
2	Sliding Pulley	1		504 1061	
3	Release Spring	1		414 0967	
4	Outer Cam	1		560 4001	
5	Cam Slider Shoe	3		414 0126	
6	Spirol Pin	1		372 0123	

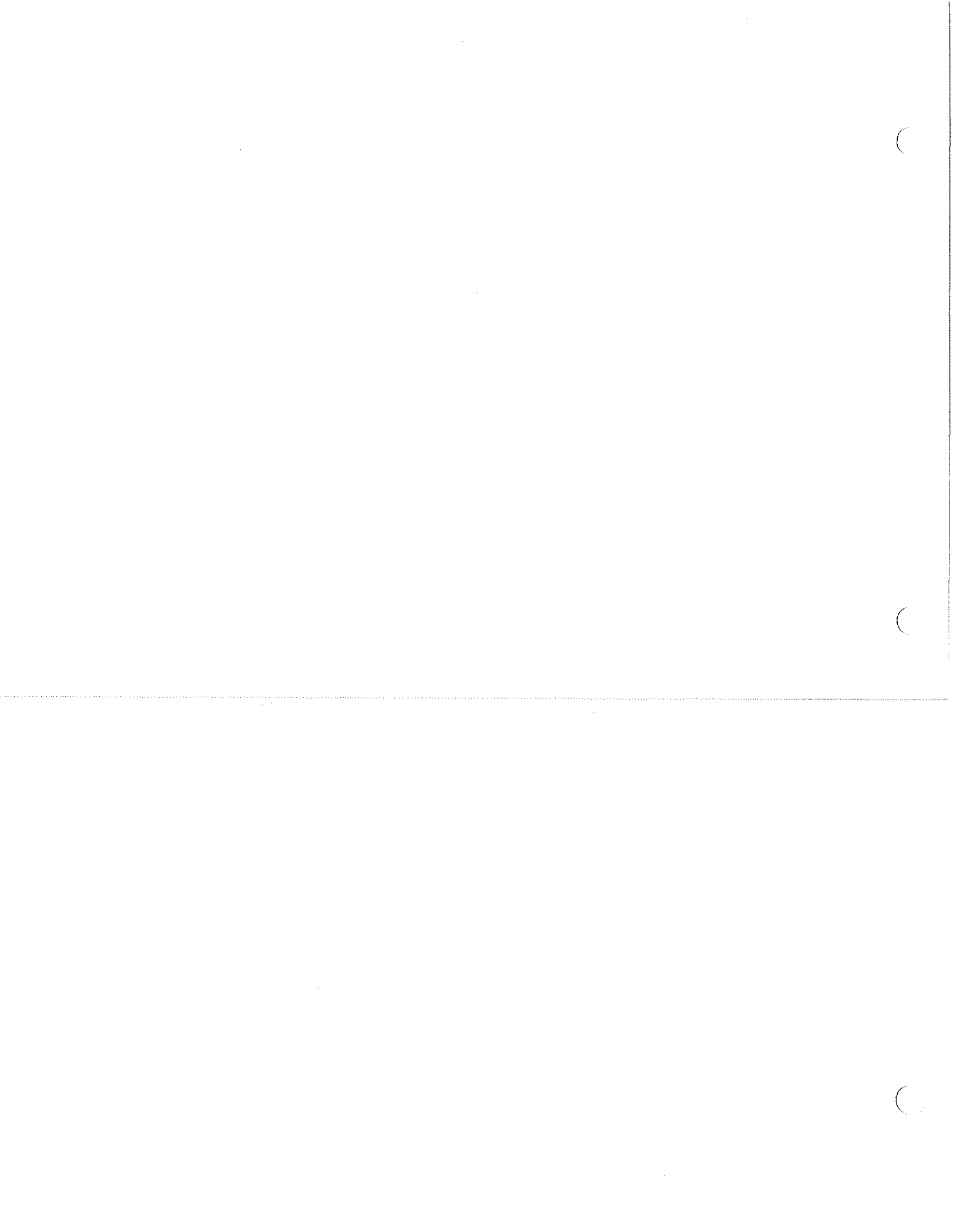
DRIVEN PULLEY (ELITE)



DRIVEN PULLEY (ELITE)

1974

ITEM NO.	DESCRIPTION	QTY	PART. NO.	
			1974	1973
1	Gasket (2 in 1973)	1	504 1052	414 1802
2	Screw	6		309 8036
3	Nut	6	386 6022	386 6022
4	Outer Cam W/Shoe	1	504 1065	504 1065
5	Cam Slider Shoe	3	414 0126	414 0126
6	Spirol Pin	2	372 0124	372 0124
7	Release Spring	1	560 1001	560 1001
8	Sliding Pulley	1	504 1044	504 1044
9	N Spacer	1	572 0414	
10	Fixed Pulley	1	504 1043	504 1043
11	Spacer (2 in 1973)	1	504 1082	504 0196
12	Bearing	1	405 4004	405 4004
13	N Support	1	504 0277	504 0254
14	Screw	2	300 1041	300 1041
15	Nut	2	383 7022	386 6022
16	N Spring	1	414 1970	
	Spacer	1		504 0255
17	Spring Washer	1		399 9072
18	N Disk	1	504 0281	507 0074
19	Spirol Pin	1	372 0122	372 0122
20	Disk Brake Unit	1		560 7012
21	Screw	2	300 1041	300 1041
22	Washer	2	399 9083	
23	Nut	2	386 6022	386 6022
24	Washer	1	399 9049	399 9061
25	Screw	1	300 1001	300 1000
26	Rubber Cover	1	570 0416	570 0416
27	Chain Tensioner	2	572 0408	572 0408
28	Spring	2	414 1306	414 1306
29	Spacer	2	504 0182	504 0182
30	Bushing	3	504 0260	504 0260
31	Spacer	4	504 0259	504 0259
32	Screw	2	300 1009	300 1009
33	Washer	6	399 9061	399 9061
34	Nut	2	386 6119	386 6019
35	Screw	1	300 1009	321 7109
36	Nut	1	386 6119	386 9102

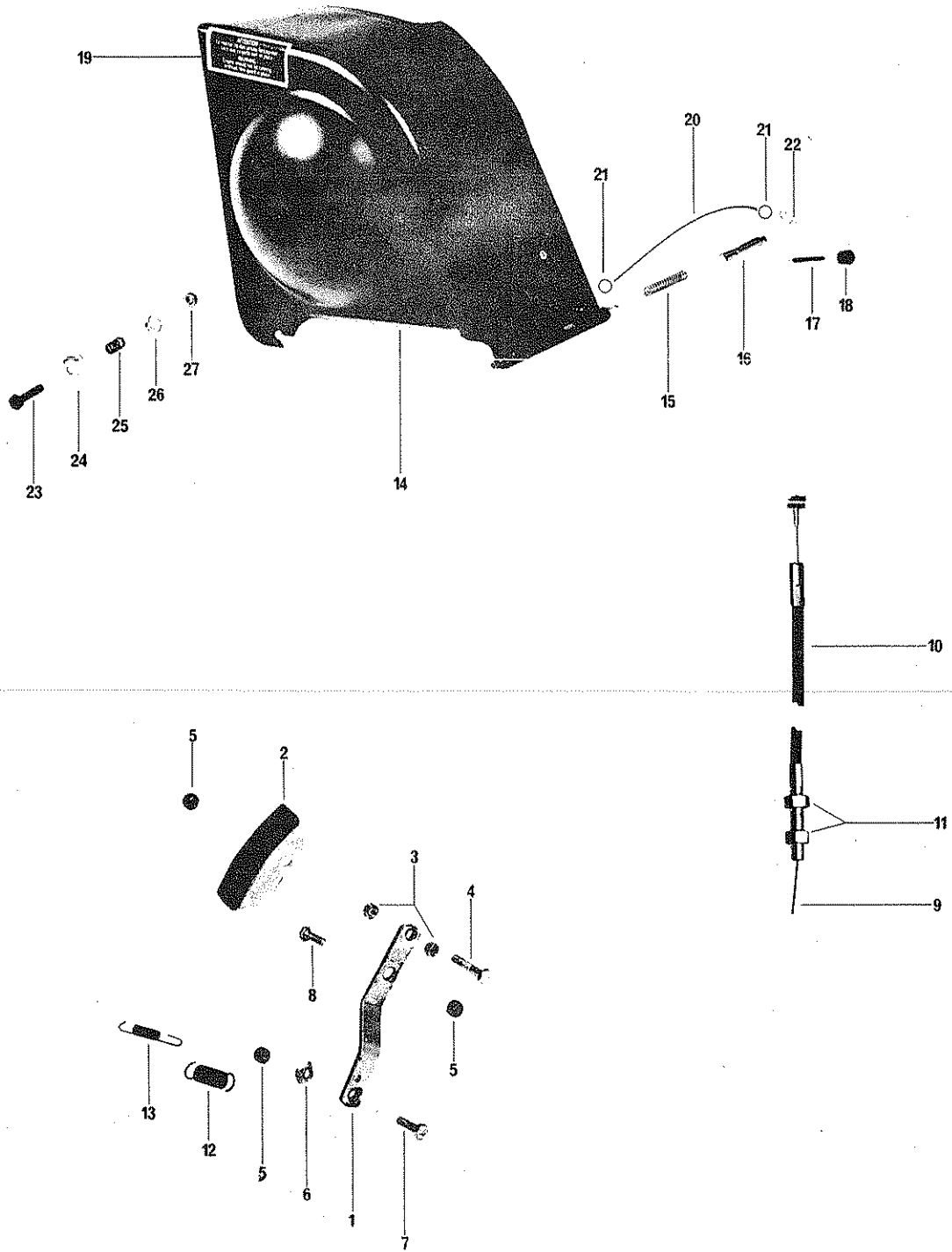


BRAKE & PULLEY GUARD (ELAN)
 292 in 1972 Only 248-249 in 1973 Only

1974

ITEM NO.	DESCRIPTION	QUANTITY				PART. NO.	
		247	248	249	292	1973	1972
1	Brake Handle	1	1		1	507 0064	507 0029
2	Swivel Plate Ass'y	1	1		1	582 0401	582 0401
3	Lining	1	1		1	560 7008	560 7008
4	Rivet	2	2		2	390 5001	390 5001
5	Screw	1	1		1	320 1006	320 1006
6	Nut	1	1		1	386 6007	386 6007
7	Hinge Rod	1	1		1	561 7066	561 7066
8	Spring	1	1		1	414 0081	414 0081
9	Nut	1	1		1	386 6022	386 6022
10	Nut	2	2	2	2	380 7022	380 7022
11	Washer	2	2		2	394 1022	
12	Spring (Switch Brake)	1	1			414 1287	
13	Brake Cable	1	1		1	414 1026	414 1026
13	Brake Cable			1		414 1457	
14	Housing	1	1		1	414 1030	414 1030
14	Housing			1		414 1585	
15	Retainer Housing	1	1			510 0028	510 0023
16	Washer	1				399 8007	399 8007
16	Washer		1			392 0022	
17	Screw	1				300 5000	
17	Screw		1			300 5041	
18	Retainer Tube (Mult 12")	1	1	1		414 1245	
19	Screw	1	1			300 1000	
19	Screw			1		300 1001	
20	Nut	1	1	1		386 6019	
	Brake Unit			1		414 1408	
21	Side Carrier W/Puck			1		414 1248	
22	Puck			1		414 1235	
23	Side Cam			1		414 1338	
24	Back-Up Plate			1		414 0970	
25	Puck			1		414 1234	
26	Push Pin			2		414 0074	
27	Spring			1		414 0077	
28	Cam			1		414 1403	
29	Washer			1		399 9007	
30	Nut			3		386 6022	
31	Bracket			1		507 0073	
32	Bushing			2		414 0973	
33	Screw 2 7/8" L			1		365 1005	
33	Screw 2 1/8" L			1		365 1006	
34	Protector Tube			1		414 0961	
35	Spring (Brake Switch)			1		414 1386	
36	Cable Lock Bracket			1		507 0047	
37	Screw			1		300 1001	
37	Screw			2		300 1003	
38	Nut			3		386 6019	
39	Pulley Guard Ass'y (Electric)	1				580 0481	
39	Pulley Guard Ass'y	1	1	1		580 0480	
40	Spring	1	1	1		414 0983	
41	Pin	1	1	1		517 0415	
42	Spirol Pin	1	1	1		372 0041	
43	Cap	1	1	1		572 1783	
44	Pulley Guard Label	1	1	1		414 1087	
45	Wire (Mult 12")	AR	AR	AR		409 6021	
46	Open Barrel	2	2	2		409 0018	
47	Hair Pin Cotter	1	1	1		414 1083	
48	Screw	1	1	1		300 1004	
49	Retainer Washer	1	1	1		517 0417	
50	Spring	1	1	1		414 0616	
51	Washer	1	1	1		399 9015	
52	Nut	1	1	1		386 6019	
53	Nut			2		380 7022	
54	Spring			1		414 1335	
55	Washer			1		391 0008	

BRAKE & PULLEY GUARD (ELAN)

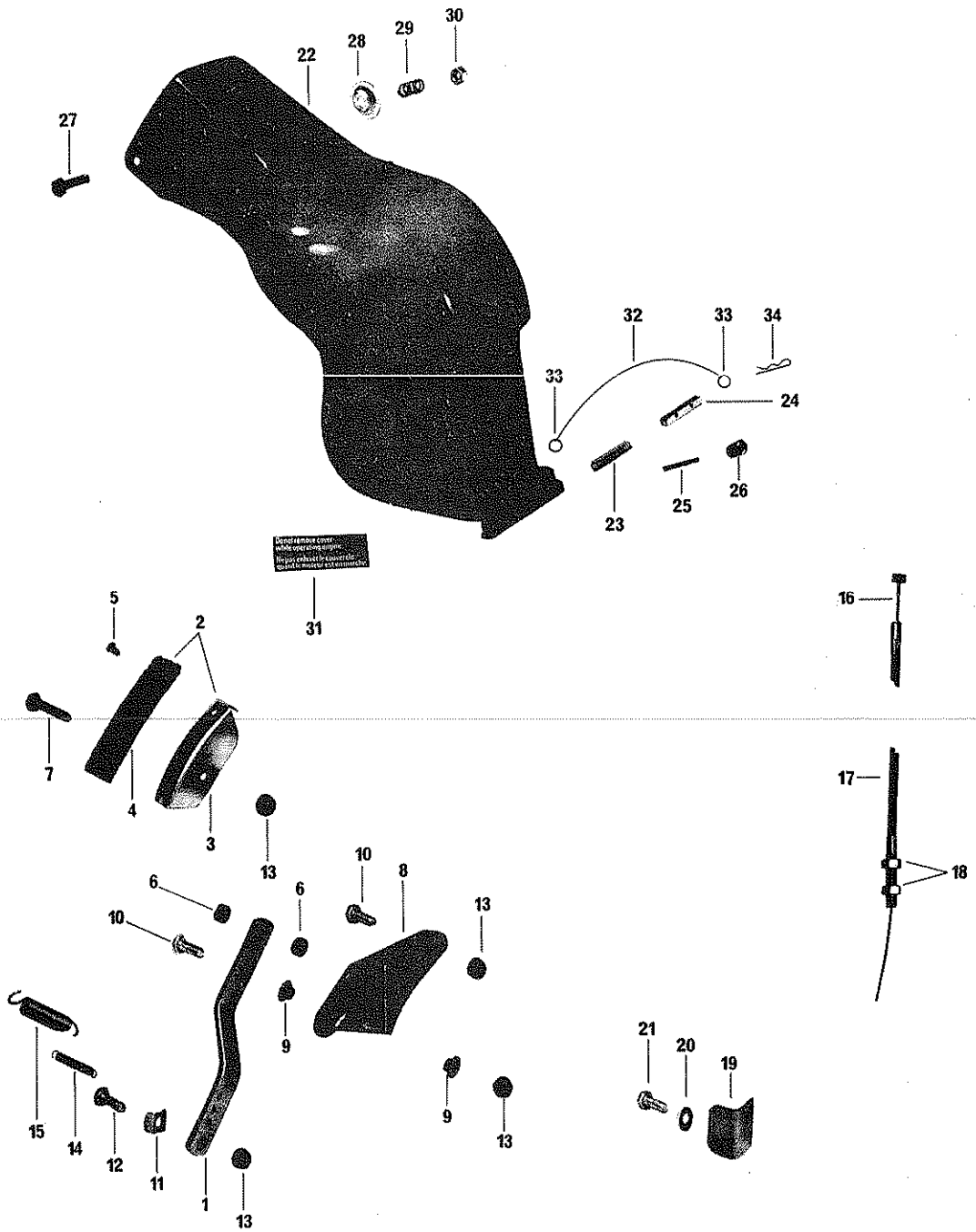


BRAKE – PULLEY GUARD (ELAN)

1974

ITEM NO.	DESCRIPTION	QUANTITY				PART. NO.	
		247	248	249	294		1974
1	N Brake Lever	1	1	1	1		507 0075
2	N Shoe Bonding	1	1	1	1		414 1675
3	Lug Spacer	2	2	2	2		507 0051
4	Screw	1	1	1	1		300 5004
5	Nut	3	3	3	3		386 9003
6	Cable Lock Bracket	1	1	1	1		507 0047
7	Screw	1	1	1	1		300 5001
8	<input type="checkbox"/> N Screw	1	1	1	1		309 9010
9	Brake Cable	1	1	1	1		414 1027
10	N Cable Housing	1	1	1	1		414 1655
11	<input type="checkbox"/> Nut	2	2	2	2		380 7022
12	Spring	1	1	1	1		414 0497
13	<input type="checkbox"/> N Spring (Brake Switch)	1	1	1			414 1659
13	<input type="checkbox"/> Spring (Brake Switch)				1		414 1247
14	Pulley Guard Ass'y (Manuel)	1	1	1	1		580 0480
14	Pulley Guard Ass'y (Electric)	1					580 0481
15	Spring	1	1	1	1		414 0983
16	Pin	1	1	1	1		517 0415
17	Spirol Pin	1	1	1	1		372 0041
18	Cap	1	1	1	1		572 1783
19	Pulley Guard Label	1	1	1	1		414 1087
20	Wire (Mult 12")	AR	AR	AR	AR		109 5030
21	Open Barrel	2	2	2	2		409 0018
22	Hair Pin Cotter	1	1	1	1		414 1083
23	Screw	1	1	1	1		300 5004
24	Retainer Washer	1	1	1	1		517 0417
25	Spring	1	1	1	1		414 0616
26	Washer	1	1	1	1		399 9015
27	Nut	1	1	1	1		386 9003

BRAKE & PULLEY GUARD (OLYMPIQUE)



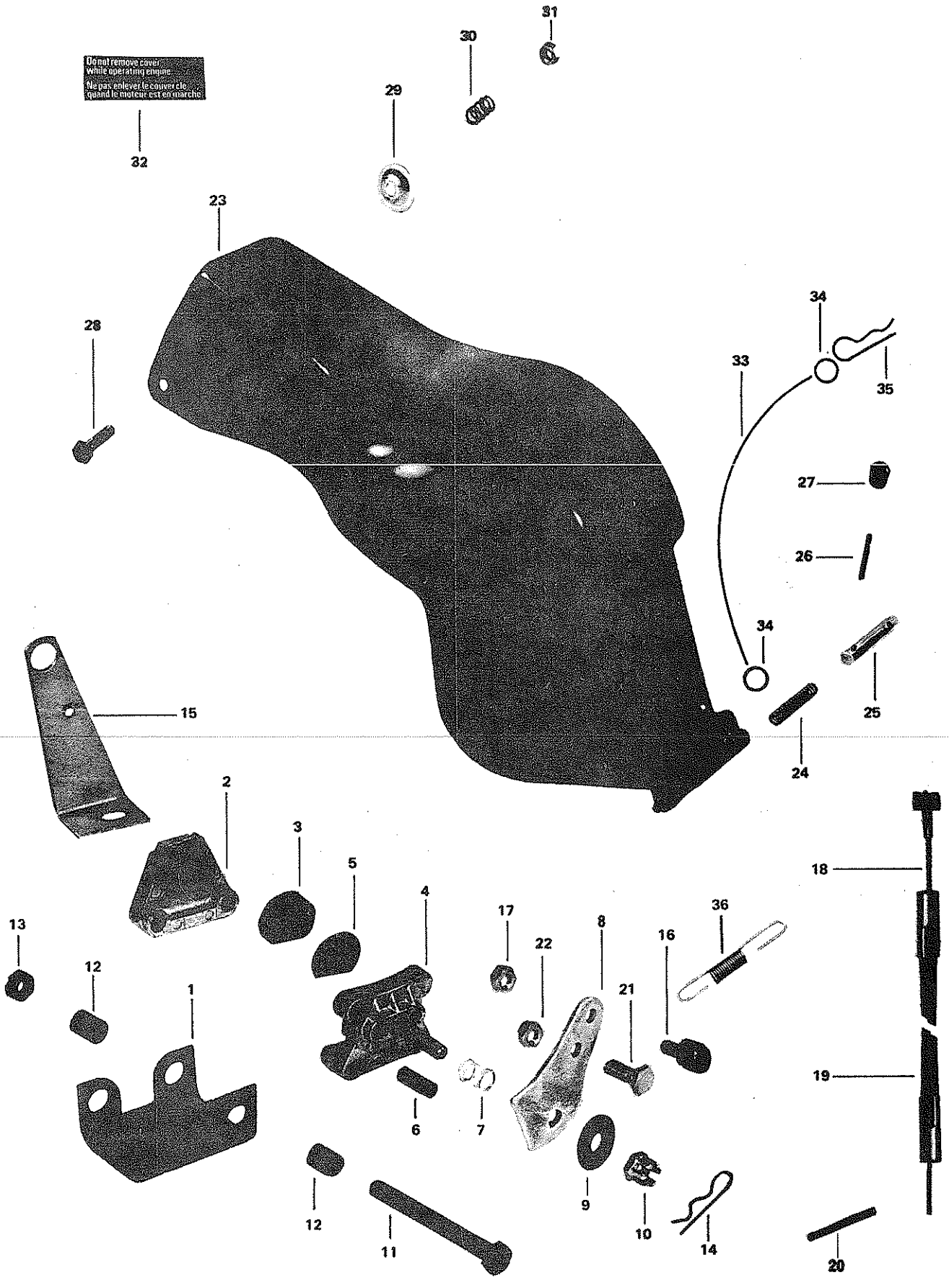
BRAKE & PULLEY GUARD (OLYMPIQUE)
In 1974 - 302 - 338 - 401 Only

1974

ITEM NO.	DESCRIPTION	QUANTITY					PART NO.		
		302	337	338	401	434	1974	1973	1972
1	Brake Lever	1	1	1	1	1	507 0068	507 0068	507 0060
2	Shoe Ass'y	1	1	1	1	1	582 1027	582 1027	582 1012
3	Shoe	1	1	1	1	1			507 0037
4	Lining	1	1	1	1	1	560 7010	560 7010	560 7010
5	Rivet	3	3	3	3	3	390 5001	390 5001	390 5001
6	Lug Spacer	2	2	2	2	2	507 0051	507 0051	507 0051
7	Screw	1	1	1	1	1	300 1004	300 1004	309 8020
8	Support Bracket	1	1	1	1	1	414 1239	414 1239	
9	Bushing (Brass)	2	2	2	2	2	507 0067	507 0067	
10	Screw	3	3	3	3	3	300 1003	300 1003	309 8038
11	Cable Lock Bracket	1	1	1	1	1	507 0047	507 0047	507 0047
12	Screw	1	1	1	1	1	300 1001	300 1001	300 1001
13	Nut	5	5	5	5	5	386 6019	386 6019	386 6019
14	Spring (Brake Switch)	1	1	1	1	1	414 1247	414 1247	
15	Spring	1	1	1	1	1	414 0497	414 0497	414 0497
16	□ N Brake Cable	1	1	1	1	1	414 1759	414 1029	414 1028
17	Brake Housing	1	1	1	1	1	414 1378	414 1378	414 0852
18	Nut	2	2	2	2	2	380 7022	380 7022	380 7022
19	Bracket (Brake Housing)	1	1	1	1	1	504 0220	504 0220	
20	Washer	1	1	1	1	1	399 8010	399 8010	
21	Screw	1	1	1	1	1	300 5000	300 5000	
22	Pulley Guard Ass'y	1	1				580 1244	580 1244	580 0670
	Pulley Guard Ass'y 335E		1						580 1175
22	Pulley Guard Ass'y			1	1	1	580 0809	580 0809	580 0690
23	Spring	1	1	1	1	1	414 0983	414 0983	414 0983
24	Pin	1	1	1	1	1	517 0568	517 0568	517 0415
25	Spirol Pin	1	1	1	1	1	372 0041	372 0041	372 0041
26	Cap	1	1	1	1	1	572 1783	572 1783	572 1783
27	Screw	1	1	1	1	1	300 0004	300 0004	300 0004
28	Retainer Washer	1	1	1	1	1	517 0417	517 0417	517 0417
29	Spring	1	1	1	1	1	414 0616	414 0616	414 0616
30	Nut	1	1	1	1	1	387 2019	387 2019	387 2019
31	Pulley Guard Label	1	1	1	1	1	414 1087	414 1087	414 1087
32	Wire (Mult 12")	AR	AR	AR	AR	AR	409 6021	409 6021	409 6021
33	Open Barrel	2	2	2	2	2	409 0018	409 0018	409 0018
34	Hair Pin Cotter	1	1	1	1	1	414 1083	414 1083	414 1083

BRAKE & PULLEY GUARD (VALMONT - ALPINE)

Do not remove cover
while operating engine.
Ne pas enlever le couvercle
quand le moteur est en marche.

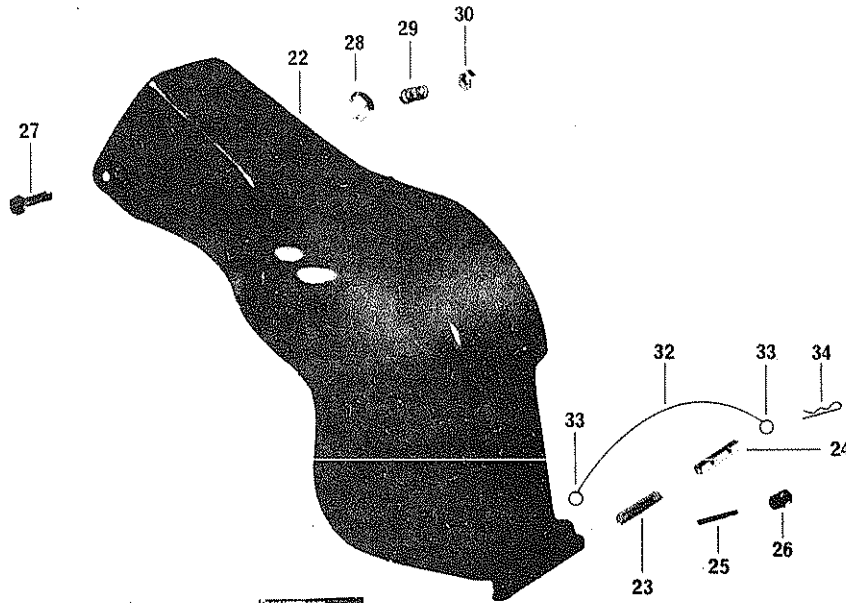


BRAKE & PULLEY GUARD (VALMONT - ALPINE)
In 1974 Alpine 434ER - 640ER Only

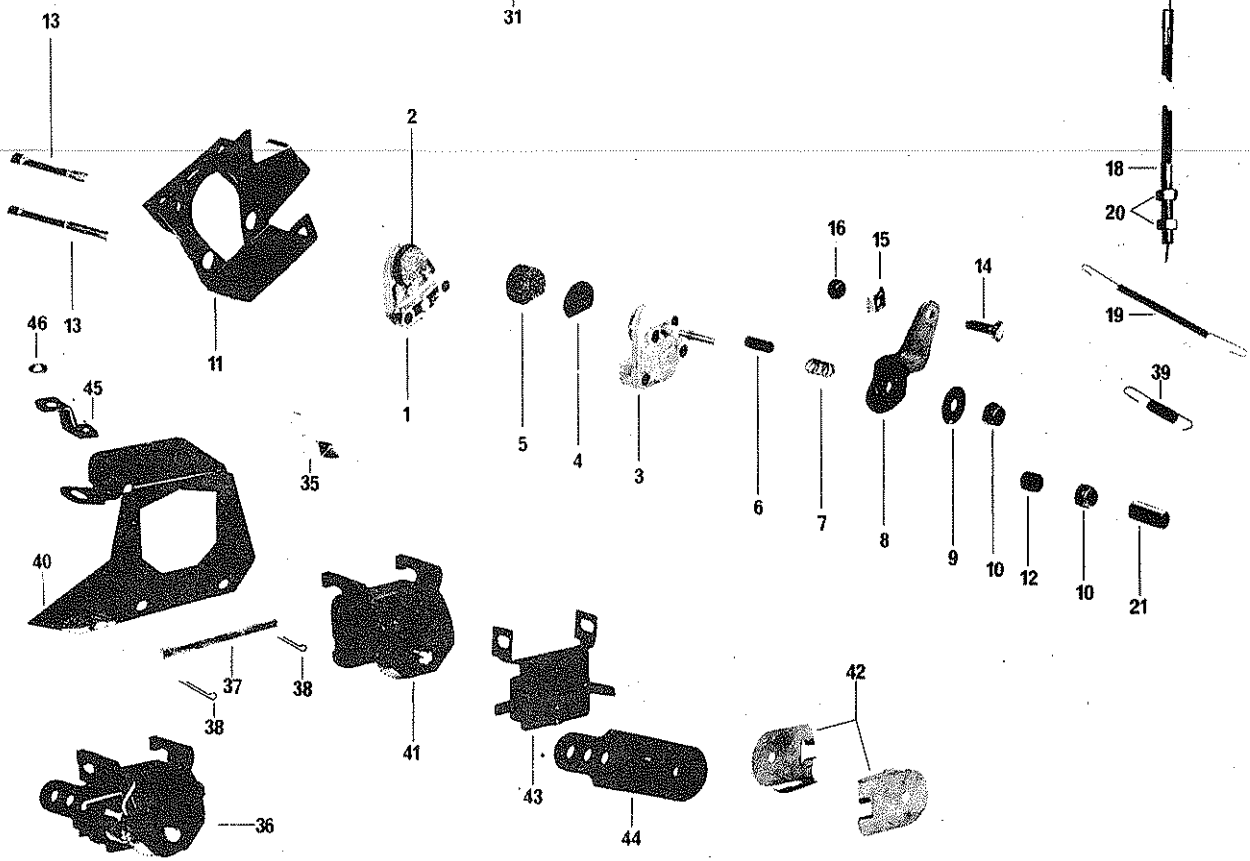
1974

ITEM NO.	DESCRIPTION	QUANTITY			PART NO.		
		V434	A434	A640	1974	1973	1972
1	"U" Bracket	1	1	1	414 0181	414 0181	414 0181
2	Puck Carrier Ass'y	1	1	1	414 1412	414 1412	414 0069
3	Puck	2	2	2	414 1390	414 1390	414 1390
4	Side Cam	1	1	1	414 0068	414 0068	414 0068
5	Back-Up Plate	1	1	1	414 0970	414 0970	414 0970
6	Push Pin	2	2	2	414 0074	414 0074	414 0074
7	Spring	1	1	1	414 0077	414 0077	414 0077
8	Cam Lever	1	1	1	414 0356	414 0356	414 0356
9	Washer	1	1	1	399 9007	399 9007	399 9007
10	Nut	1	1	1	382 4022	382 4022	382 6022
11	Screw	2	2	2	300 8050	300 8050	300 8050
12	Bushing	4	4	4	414 0075	414 0075	414 0075
13	Nut	2	2	2	386 6022	386 6022	386 6022
14	Hair Pin Cotter	1	1	1	414 0322	414 0322	
15	□ Brake Switch Bracket	1	1	1	517 0626	517 0626	
16	Retainer Housing	1	1	1	510 0026	510 0026	510 0026
17	Nut	1	1	1	386 6019	386 6019	386 6019
18	Brake Cable	1	1	1	414 1029	414 1029	414 1029
19	N Cable Housing	1	1	1	414 1904	414 1557	414 1031
20	Spring	1	1	1	414 0755	414 0755	414 0755
21	Screw	1	1	1	300 1001	300 1001	300 1000
22	Nut	1	1	1	386 6019	386 6019	386 6019
23	Pulley Guard Ass'y	1	1	1	580 3170	580 3170	580 3141
24	Spring	1	1	1	414 0983	414 0983	414 0983
25	Pin	1	1	1	517 0568	517 0568	517 0415
26	Spirol Pin	1	1	1	372 0041	372 0041	372 0041
27	Cap	1	1	1	572 1783	572 1783	572 1783
28	Screw	1	1	1	300 0004	300 0004	300 0004
29	Retainer Washer	1	1	1	517 0417	517 0417	517 0417
30	Spring	1	1	1	414 0616	414 0616	414 0616
31	Nut	1	1	1	387 2019	387 2019	387 2019
32	Pulley Guard Label	1	1	1	414 1087	414 1087	414 1087
33	Wire (Mult 12")	AR	AR	AR	109 5030	409 6021	409 6021
34	Open Barrel	2	2	2	409 0018	409 0018	409 0018
35	Hair Pin Cotter	1	1	1	414 1083	414 1083	414 1083
	Disk Brake Unit	1	1	1	414 1413	414 1413	414 1181
36	Spring (Brake Switch)	1	1	1	414 1438	414 1438	

BRAKE & PULLEY GUARD (NORDIC)



Light bearing cover
with bearing cap
for part number 1000000000
used in models 1000000000

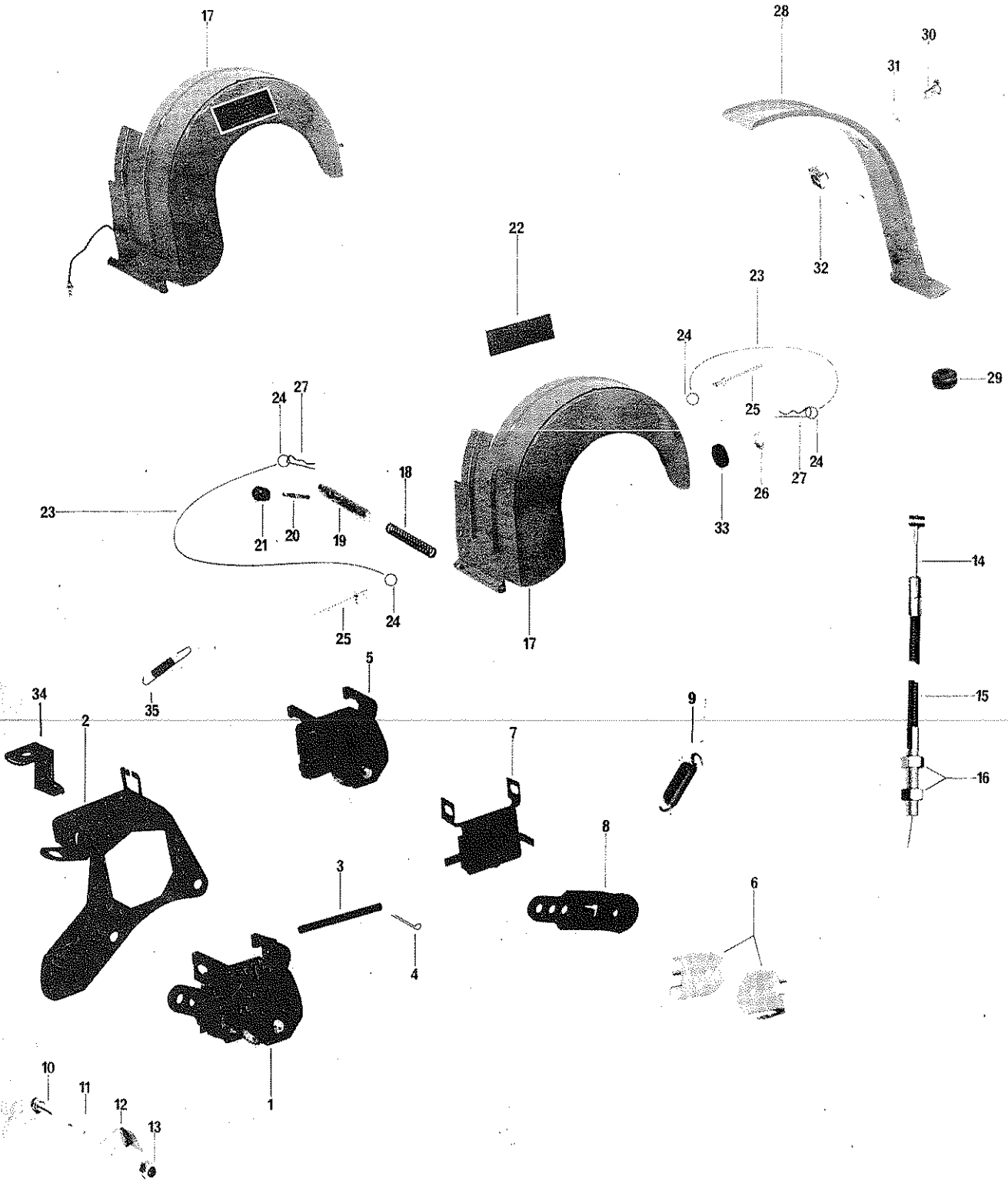


BRAKE & PULLEY GUARD (NORDIC)
434 in 1972 Only

1974

ITEM NO.	DESCRIPTION	QUANTITY		PART NO.		
		434	640	1974	1973	1972
1	Side Carrier W/Puck	1	1		414 1248	414 0968
2	Puck	1	1		414 1235	414 1235
3	Side Cam	1	1		414 1338	414 0969
4	Back Up Plate	1	1		414 0970	414 0970
5	Puck	1	1		414 1234	414 1234
6	Push Pin	2	2		414 0074	414 0074
7	Spring	1	1		414 0077	414 0077
8	Cam	1	1		414 1403	414 0356
9	Washer	1	1		399 9007	399 9007
10	Nut	3	3		386 6022	386 6022
11	Bracket	1	1		507 0059	507 0059
12	Bushing	2	2		414 0973	414 0973
13	Screw (2 7/8" L)	1	1		365 1005	365 1005
13	Screw (2 1/8" L)	1	1		365 1006	365 1006
14	Screw	1	1	300 5001	300 1001	300 1001
15	Cable Lock Bracket	1	1	507 0047	507 0047	507 0047
16	Nut	1	1	386 9003	386 6019	386 6019
17	Brake Cable	1	1	414 1452	414 1457	414 1027
18	N Housing	1	1	414 1903	414 1458	414 0918
19	Spring	1	1	414 1391	414 1394	414 1394
20	Nut	2	2	380 7022	380 7022	380 7022
21	Tube Protector	1	1		414 0961	414 0961
22	Pulley Guard Ass'y	1	1	580 0919	580 0919	580 0919
23	Spring	1	1	414 0983	414 0983	414 0983
24	Pin	1	1	517 0568	517 0568	517 0415
25	Spirol Pin	1	1	372 0041	372 0041	372 0041
26	Cap	1	1	572 1783	572 1783	572 1783
27	Screw	1	1	300 0004	300 0004	300 0004
28	Retainer Washer	1	1	517 0417	517 0417	517 0417
29	Spring	1	1	414 0616	414 0616	414 0616
30	Nut	1	1	387 2019	387 2019	387 2019
31	Pulley Guard Label	1	1	414 1087	414 1087	414 1087
32	Wire (Mult 12")	AR	AR	109 5030	409 6021	409 6021
33	Open Barrel	2	2	409 0018	409 0018	409 0018
34	Hair Pin Cotter	1	1	414 1083	414 1083	414 1083
35	Bracket (Brake Light Switch)		1	507 0077	515 0834	507 0058
36	N Disk Brake Unit	1	1	414 1694	414 1408	414 0957
37	N Pin		1	507 0078		
38	N Cotter Pin		1	371 8012		
39	Spring (Brake Light Switch)		1		414 1386	
40	N Bracket		1	507 0079		
41	N Frame		1	414 1972		
42	N Pawl		1	414 1973		
43	N Brake Pad Set		1	414 1976		
44	N Lever		1	414 1975		
45	N Spring Bracket		1	507 0081		
46	Washer		1	399 9027		

BRAKE - PULLEY GUARD (T'NT - EVEREST)

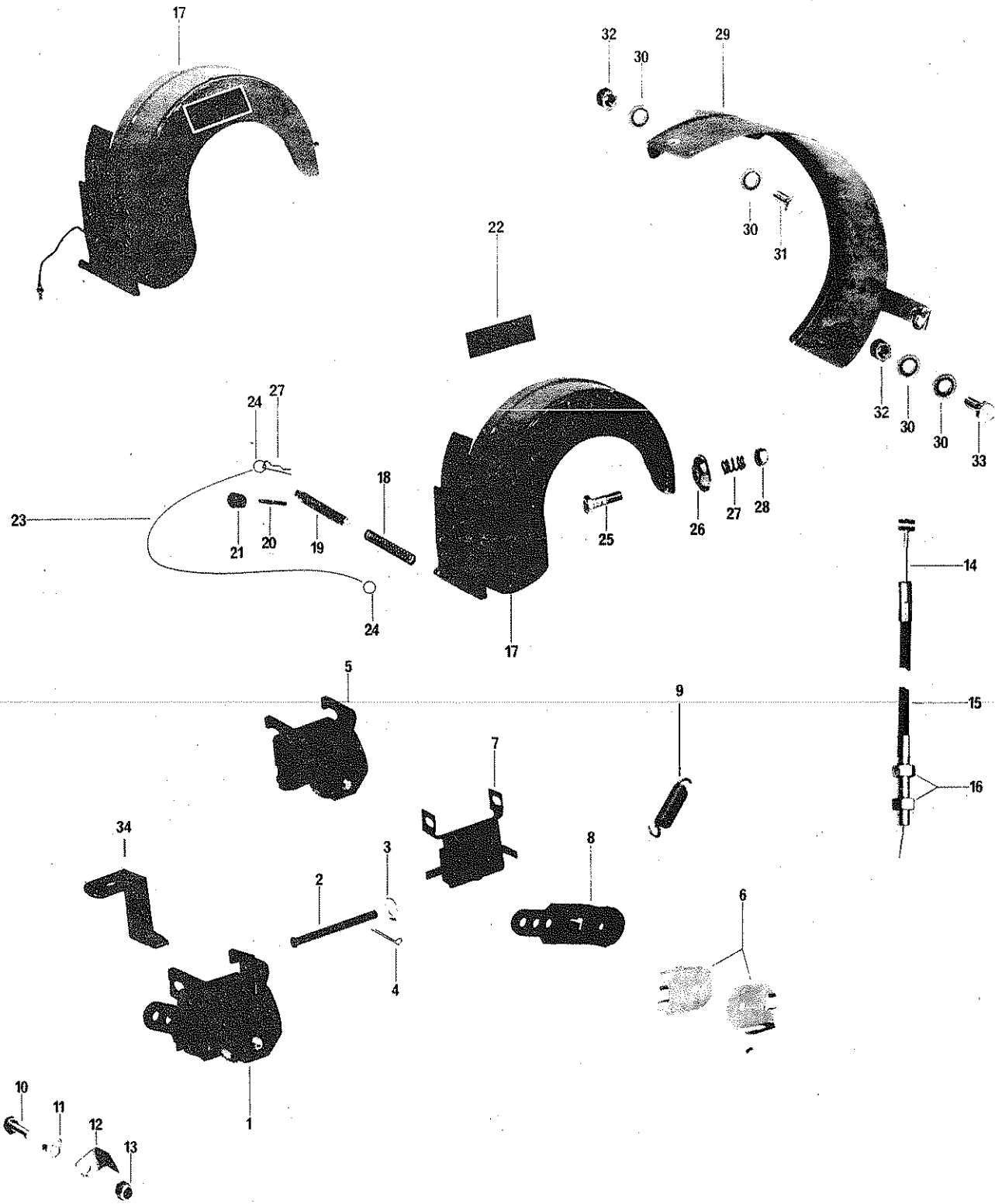


BRAKE – PULLEY GUARD (T'NT–EVEREST)

1974

ITEM NO.	DESCRIPTION	QUANTITY				PART. NO.	
		294	343	440	EVT	1974	
1	N Disk Brake Unit	1	1	1	1	414 1694	
2 <input type="checkbox"/>	N Bracket	1				507 0087	
2	N Bracket		1	1	1	507 0076	
3	N Pin	1	1	1	1	560 7014	
4 <input type="checkbox"/>	N Cotter Pin	1	1	1	1	371 8012	
5	N Frame	1	1	1	1	414 1972	
6	N Pawl	2	2	2	2	414 1973	
7	N Brake Pad Set	1	1	1	1	414 1976	
8	N Lever	1	1	1	1	414 1975	
9 <input type="checkbox"/>	Spring	1	1	1	1	414 1391	
10	Screw	1	1	1	1	300 5001	
11	Cable Lock Bracket	1	1	1	1	507 0047	
12 <input type="checkbox"/>	N Bracket (Brake Switch)	1				507 0086	
12	N Bracket (Brake Switch)		1	1	1	507 0077	
13	Nut	1	1	1	1	386 9003	
14 <input type="checkbox"/>	N Brake Cable	1	1	1	1	414 2004	
15 <input type="checkbox"/>	N Brake Housing	1	1	1	1	414 2005	
16	Nut	2	2	2	2	380 7022	
17	N Pulley Guard Ass'y	1	1	1	1	580 0852	
18	Spring	1	1	1	1	414 0983	
19	Pin	1	1	1	1	517 0568	
20	Spirol Pin	1	1	1	1	372 0041	
21	Cap	1	1	1	1	572 1783	
22	Pulley Guard Label	1	1	1	1	414 1087	
23	Wire (Mult 12")	AR	AR	AR	AR	109 5030	
24	Open Barrel	4	4	4	4	409 0018	
25	Rivet	2	2	2	2	390 4024	
26	Washer	1	1	1	1	399 9008	
27	Hair Pin Cotter	2	2	2	2	414 1083	
28	N Belt Guard	1	1	1	1	517 0723	
29	Grommet	1	1	1	1	414 0363	
30	N Screw	1	1	1	1	309 9012	
31	Washer	1	1	1	1	399 9015	
32	N Clip Nut	1	1	1	1	389 9025	
33	Rubber Washer	1	1	1	1	570 1230	
34 <input type="checkbox"/>	N Spring Bracket	1	1	1	1	507 0088	
35 <input type="checkbox"/>	Spring (Brake Switch)	1				414 1386	

BRAKE - PULLEY GUARD (T'NT F.A.)

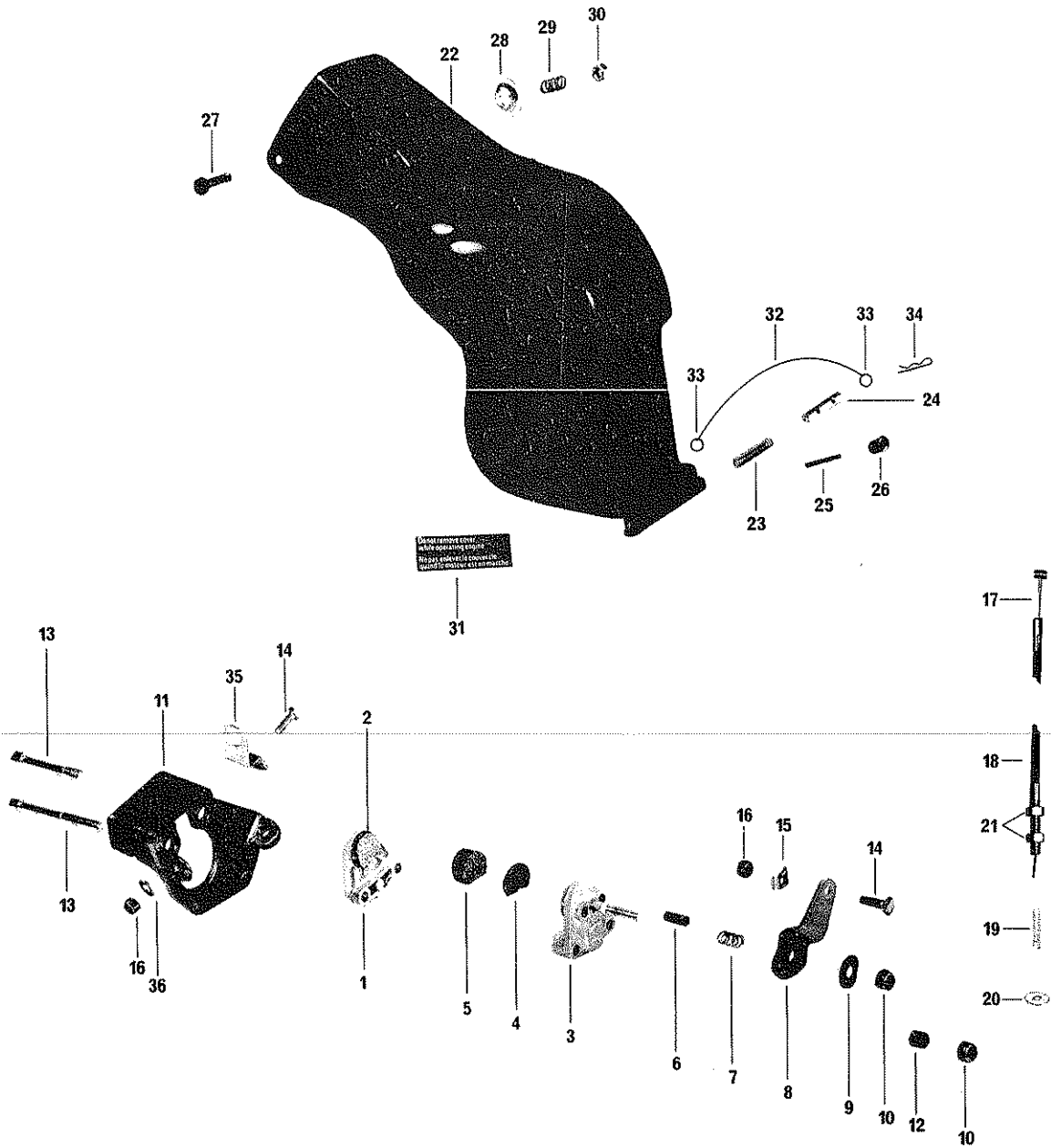


BRAKE - PULLEY GUARD (T'NT F.A.)

1974

ITEM NO.	DESCRIPTION	QUANTITY			PART NO.		
		346	396	436	1974	1973	1972
1	N Disk Brake Unit	1	1	1	414 1994		
2□	N Pin	1	1	1	560 7015		
3	Washer	1	1	1	399 9002		
4□	N Cotter Pin	1	1	1	371 8012		
5	N Frame	1	1	1	414 2024		
6	N Pawl	2	2	2	414 1973		
7□	N Brake Pad Set	1	1	1	414 2126		
8	N Lever	1	1	1	414 1975		
9□	N Spring	1	1	1	414 1391		
10	Screw	1	1	1	300 5001		
11	Cable Lock Bracket	1	1	1	507 0047		
12	N Bracket	1	1	1	507 0077		
13	Nut	1	1	1	386 9003		
14□	N Brake Cable	1	1	1	414 1457		
15□	N Brake Housing	1	1	1	414 1816		
16	Nut	2	2	2	380 7022		
17	N Pulley Guard Ass'y (Drive)	1	1	1	580 1506		
18	Spring	1	1	1	414 0983		
19	Pin	1	1	1	517 0568		
20	Spirol Pin	1	1	1	372 0041		
21	Cap	1	1	1	572 1783		
22	Pulley Guard Label	1	1	1	414 1087		
23	Wire (Mult 12")	AR	AR	AR	109 5030		
24	Open Barrel	2	2	2	409 0018		
25	Screw	1	1	1	300 5004		
26	Retainer Washer	1	1	1	517 0417		
27	Spring	1	1	1	414 0616		
28	Nut	1	1	1	387 5019		
29	N Pulley Guard Ass'y (Driven)	1	1	1	580 0885		
30	Washer	6	6	6	399 9015		
31	Screw	2	2	2	301 3001		
32	Nut	3	3	3	386 9003		
33	Screw	1	1	1	300 9001		
34□	N Spring Bracket	1	1	1	507 0088		

BRAKE & PULLEY GUARD (T'NT)

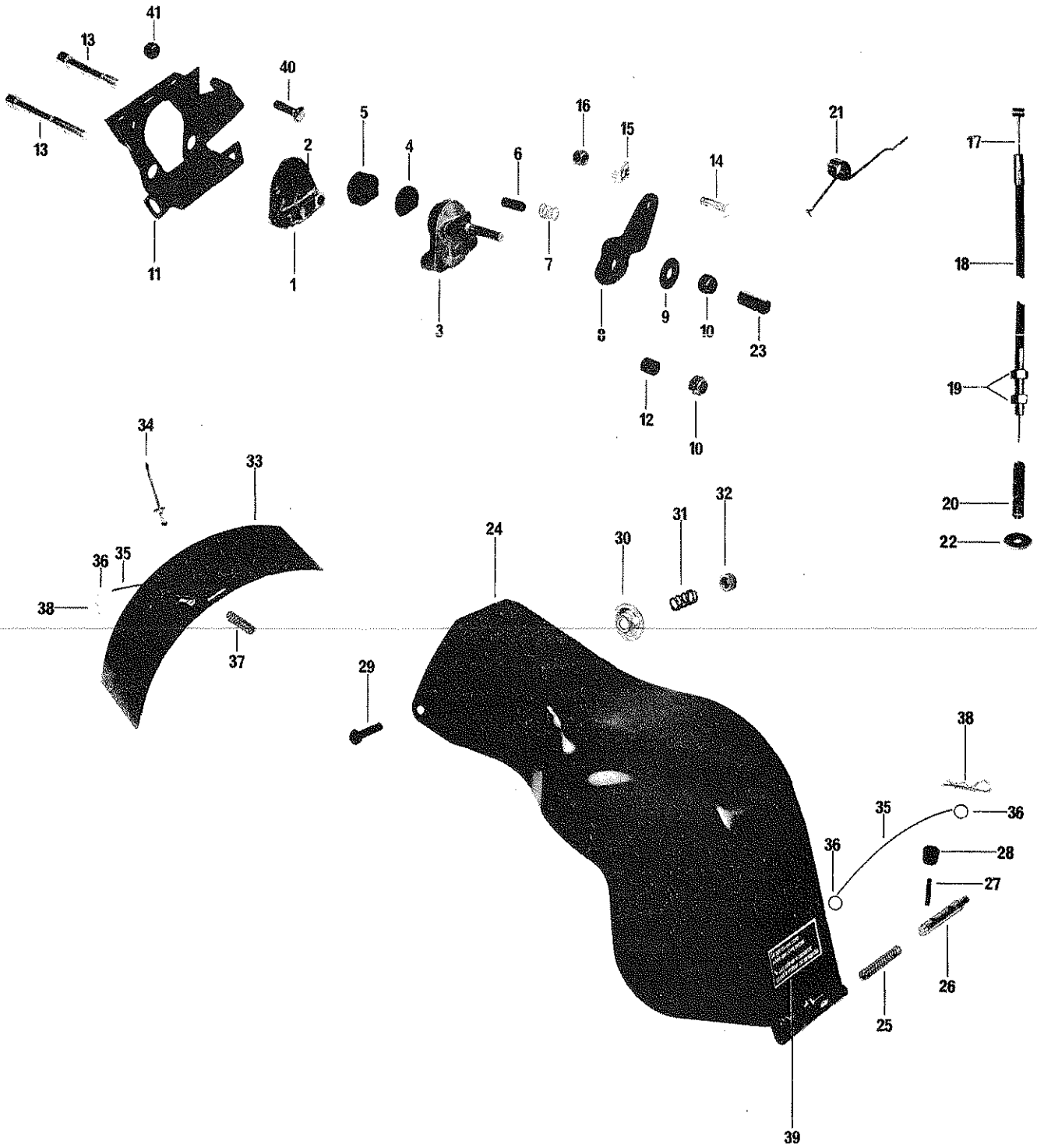


BRAKE & PULLEY GUARD (T'NT 15'')

1974

ITEM NO.	DESCRIPTION	QUANTITY			PART NO.	
		294	343	435	1973	1972
1	Side Carrier W/Puck	1	1	1	414 1248	414 0968
2	Puck	1	1	1	414 1235	414 1235
3	Side Cam	1	1	1	414 1338	414 0969
4	Back Up Plate	1	1	1	414 0970	414 0970
5	Puck	1	1	1	414 1234	414 1234
6	Push Pin	2	2	2	414 0074	414 0074
7	Spring	1	1	1	414 0077	414 0077
8	Cam	1	1	1	507 0069	414 0356
9	Washer	1	1	1	399 9007	399 9007
10	Nut	3	3	3	386 6022	386 6022
11	Bracket	1			414 1238	507 0059
11	Bracket		1	1	414 1238	507 0063
12	Bushing	2	2	2	414 0075	414 0973
13	Allen Head Cap Screw	2	2	2	414 1339	
	Screw 2 7/8" L.	1	1	1		365 1005
	Screw 2 1/8" L.	1	1	1		365 1006
14	Screw	2	2	2	300 1001	300 1001
15	Cable Lock Bracket	1	1	1	507 0047	507 0047
16	Nut	2	2	2	386 6019	386 6019
17	Brake Cable	1	1	1	414 1452	414 1027
18	Cable Housing	1	1	1	414 1451	414 0918
19	Spring	1	1	1	414 1335	414 0931
19a	Spring (brake light switch)	1	1	1	414 1386	
20	Washer	1	1	1	391 0008	
21	Nut	2	2	2	380 7022	380 7022
	Disk Brake Unit	1	1	1	414 1340	414 0957
22	Pulley Guard Ass'y	1			580 1244	580 0670
22	Pulley Guard Ass'y		1		580 1244	580 0561
22	Pulley Guard Ass'y			1	580 1244	580 0561
23	Spring	1	1	1	414 0983	414 0983
24	Pin	1	1	1	517 0568	517 0415
25	Spirol Pin	1	1	1	372 0041	372 0041
26	Cap	1	1	1	572 1783	572 1783
27	Screw	1	1	1	300 0004	300 0004
28	Retainer Washer	1	1	1	517 0417	517 0417
29	Spring	1	1	1	414 0616	414 0616
30	Nut	1	1	1	387 2019	387 2019
31	Pulley Guard Label	1	1	1	414 1087	414 1087
32	Wire (mult. 12")	AR	AR	AR	409 6021	409 6021
33	Open Barrel	2	2	2	409 0018	409 0018
34	Hair Pin Cotter	1	1	1	414 1083	414 1083
35	Bracket	1	1	1	507 0070	
36	Washer	2	2	2	399 9015	

BRAKE & PULLEY GUARD (T'NT 400 - 640 - 775)

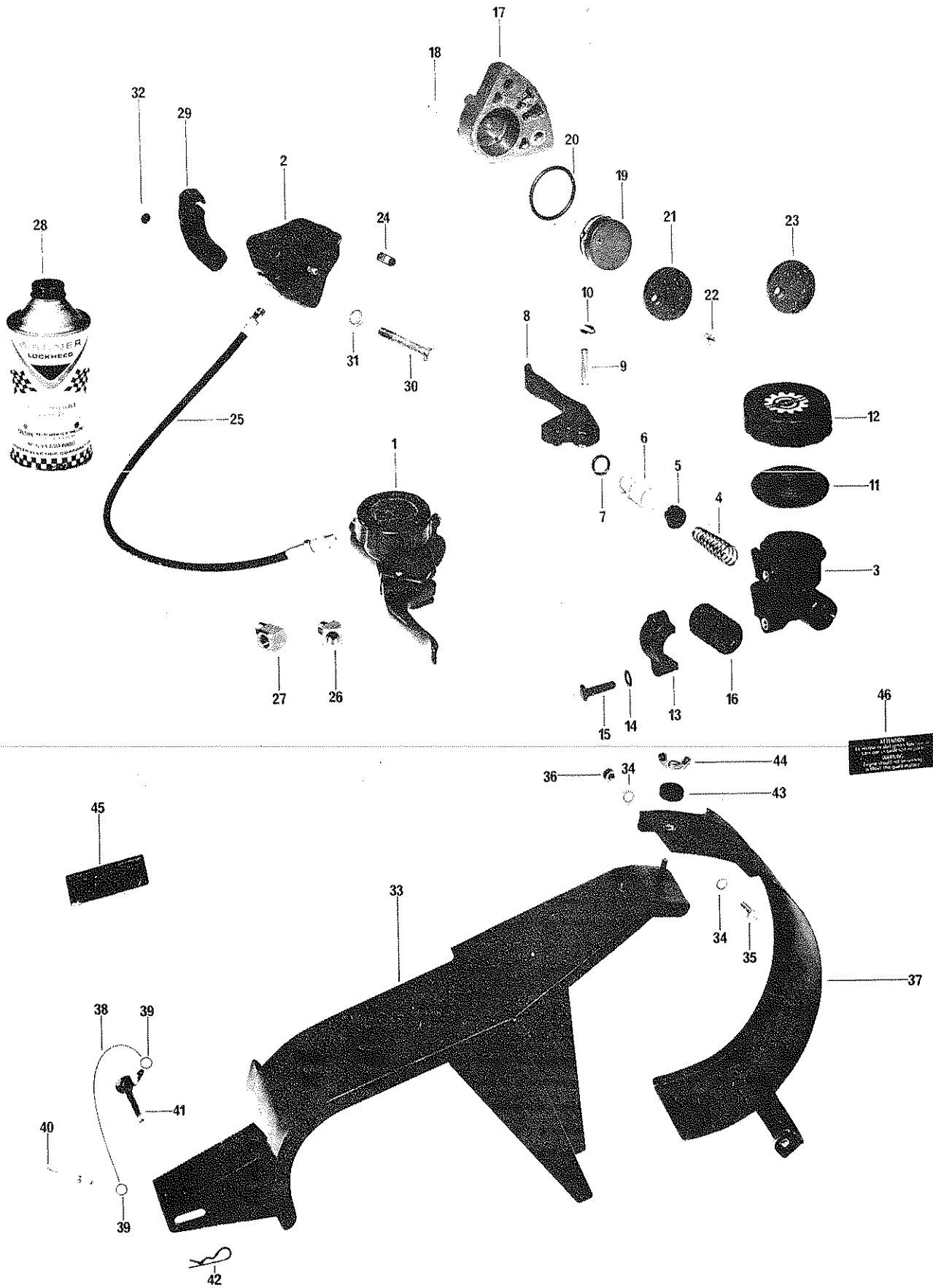


**BRAKE – PULLEY GUARD (T'NT 400 - 640 - 775)
ONLY IN 1972**

1974

ITEM NO.	DESCRIPTION	QUANTITY			PART NO.		
		400	640	775	1972		
1	Side Carrier W/Puck	1			517 0524		
1	Side Carrier W/Puck		1	1	414 0968		
2	Puck	1			414 1235		
2	Puck		1	1	414 0958		
3	Side Cam	1	1	1	414 0969		
4	Back UP Plate	1	1	1	414 0970		
5	Puck	1			414 1234		
5	Puck		1	1	414 0959		
6	Push Pin	2	2	2	414 0074		
7	Spring	1	1	1	414 0077		
3-4-5-6-7	Brake Unit	1			414 1256		
3-4-5-6-7	Brake Unit		1	1	414 0957		
8	Cam	1	1	1	414 0356		
9	Washer	1	1	1	399 9007		
10	Nut	3	3	3	386 6022		
11	Bracket	1			507 0065		
11	Bracket		1	1	507 0063		
12	Bushing	2	2	2	414 0973		
13	Screw (2 7/8" L)	1	1	1	365 1005		
13	Screw (2 1/8" L)	1	1	1	365 1006		
14	Screw	1	1	1	300 1001		
15	Cable Lock Bracket	1	1	1	507 0047		
16	Nut	1	1	1	386 6019		
17	Brake Cable	1	1	1	414 1027		
18	Housing	1	1	1	414 0918		
19	Nut	2	2	2	380 7022		
20	Spring	1			414 0755		
21	Spring		1	1	414 0931		
22	Washer	2			391 0008		
23	Protector Tube	2	1	1	414 0961		
24	Pulley Guard Ass'y	1			580 0679		
24	Pulley Guard Ass'y		1	1	580 0670		
25	Spring	1	1	1	414 0983		
26	Pin	1	1	1	517 0415		
27	Spirol Pin	1	1	1	372 0041		
28	Cap	1	1	1	572 1783		
29	Screw	1	1	1	300 0004		
30	Retainer Washer	1	1	1	517 0417		
31	Spring	1	1	1	414 0616		
32	Nut	1	1	1	387 2019		
33	Snow Protector	1			517 0523		
34	Rivet	3			390 4022		
35	Wire (Mult 12")	AR	AR	AR	409 6021		
36	Open Barrel	4	2	2	409 0018		
37	Spring	1			414 1207		
38	Hair Pin Cotter	2	1	1	414 1083		
39	Pulley Guard Label	1	1	1	414 1087		
40	Screw		2	2	300 1003		
41	Nut		2	2	386 6019		

BRAKE & PULLEY GUARD



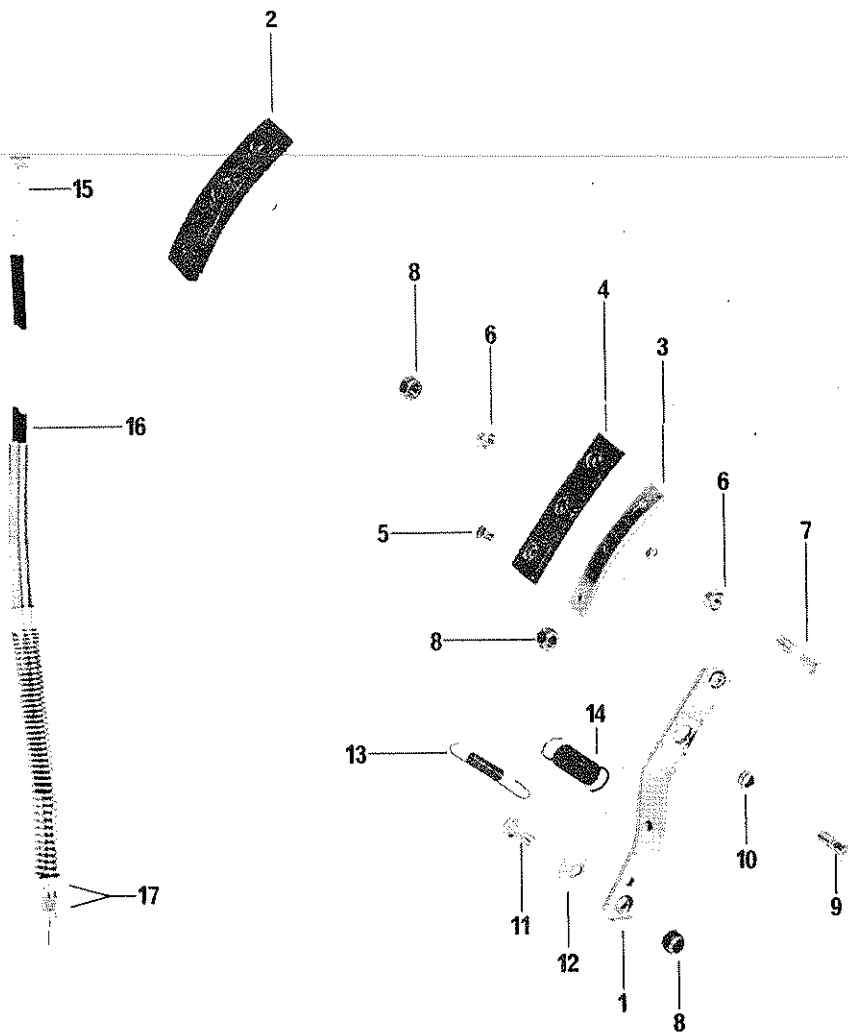
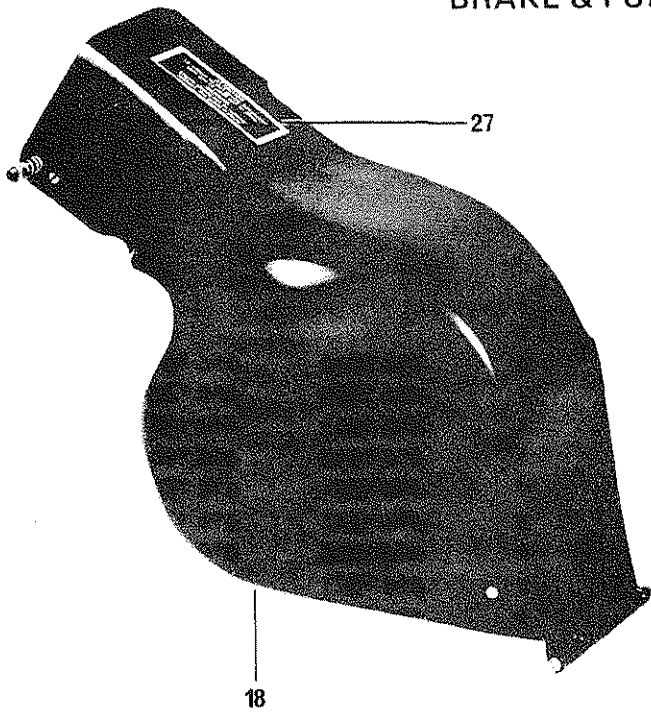
BRAKE-PULLEY GUARD

1974

ITEM NO.	DESCRIPTION	QTY	PART NO.		
			1973 A	1973B	1972
	1972 The Master Cylinder and Calliper are available as Assemblies Only for All Blizzard 1973 A - For TNT F.A., Blizzard 298-395-441 1973 B - For Blizzard 650-800				
1	Master Cylinder Ass'y	1			414 1111
2	Caliper Ass'y	1			414 1122
3	Master Cylinder	1	414 1845	414 1845	
4	Spring	1	414 1369	414 1369	
5	* Cup	1	414 1851	414 1851	
6	Piston	1	414 1846	414 1846	
7	* "O" Ring	1	414 1851	414 1851	
8	Brake Lever	1	414 1847	414 1847	
9	Pivot Pin	1	414 1848	414 1848	
10	Circlip	1	414 1371	414 1371	
11	* Diaphragm	1	414 1851	414 1851	
12	Cover	1	414 1849	414 1849	
13	Clamp Half	1	414 1822	414 1822	
14	Washer	2	399 8007	399 8007	
15	Screw	2	300 5003	300 5003	
16	Rubber Bushing	1	414 1823	414 1823	
17	Calliper	1	414 1841	414 1850	
18	Bleeder Screw	1	414 1835	414 1835	
19	Retractor Piston Ass'y	1	414 1842	414 1842	
20	* "O" Ring	1	414 1851	414 1851	
21	Puck	1	414 1206	414 1206	
22	Screw	2	414 1155	414 1155	
23	Puck	1	414 1154	414 1154	
24	Pipe Plug	1	414 1844		
25	Hose	1	414 1174	414 1174	414 1174
26	Elbow 45°	1	414 1191	414 1191	414 1191
27	Elbow 90°	1			414 1192
28	Brake Fluid	AR	413 8011	413 8011	413 8008
29	Spacer	1	414 1744	414 1744	504 1091
30	Screw	2	301 7090	301 7090	301 7090
31	Washer	2	399 9067	399 9067	399 9067
32	Nut	2	386 6024	386 6024	386 6024
33	Pulley Guard Ass'y (TNT F.A. Only)	1	580 0738	580 0398	580 0398
33	Pulley Guard Ass'y	1	580 0785		
34	Washer	6	399 9015	399 9015	399 9015
35	Screw	3	300 9001	300 9001	300 9001
36	Nut	2	386 6019	386 6019	386 6019
37	Front Pulley Guard (Bare in 73B - 72)	1	580 0736	517 0548	517 0548
38	Steel Wire (Mult 12")	AR	414 0574	414 0574	414 0574
39	Open Barrel	6	409 0018	409 0018	409 0018
40	Rivet	2	390 9015	390 9025	390 9025
40	Rivet	1	390 9023	390 9025	390 9025
41	Retainer Pin	1	517 0549	517 0549	517 0549
42	Hair Pin	2	414 1196	414 1196	414 1196
43	Rubber Washer	1	570 1711	570 1711	570 1711
44	Wing Nut	1	386 1019	386 1019	386 1019
45	Pulley Guard Label	1	561 7117	414 1209	414 1209
46	Pulley Guard Label	1	414 1087	414 1087	414 1087

* All Parts W/* are sold as a kit and have same parts number

BRAKE & PULLEY GUARD (Skandic)

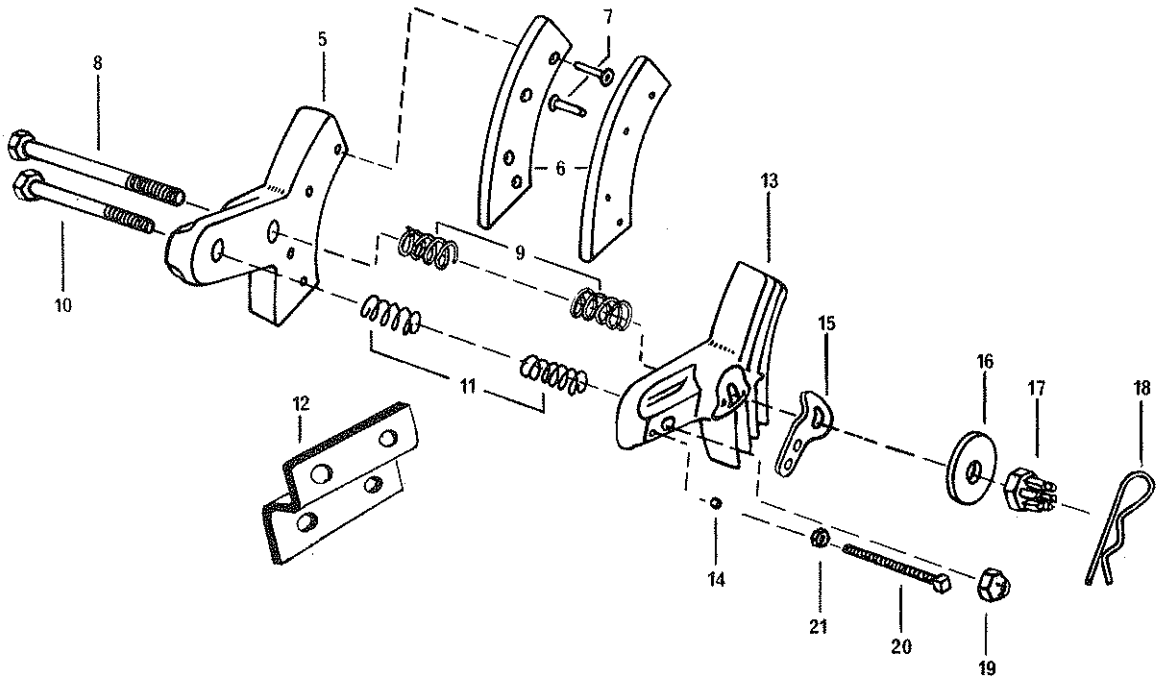
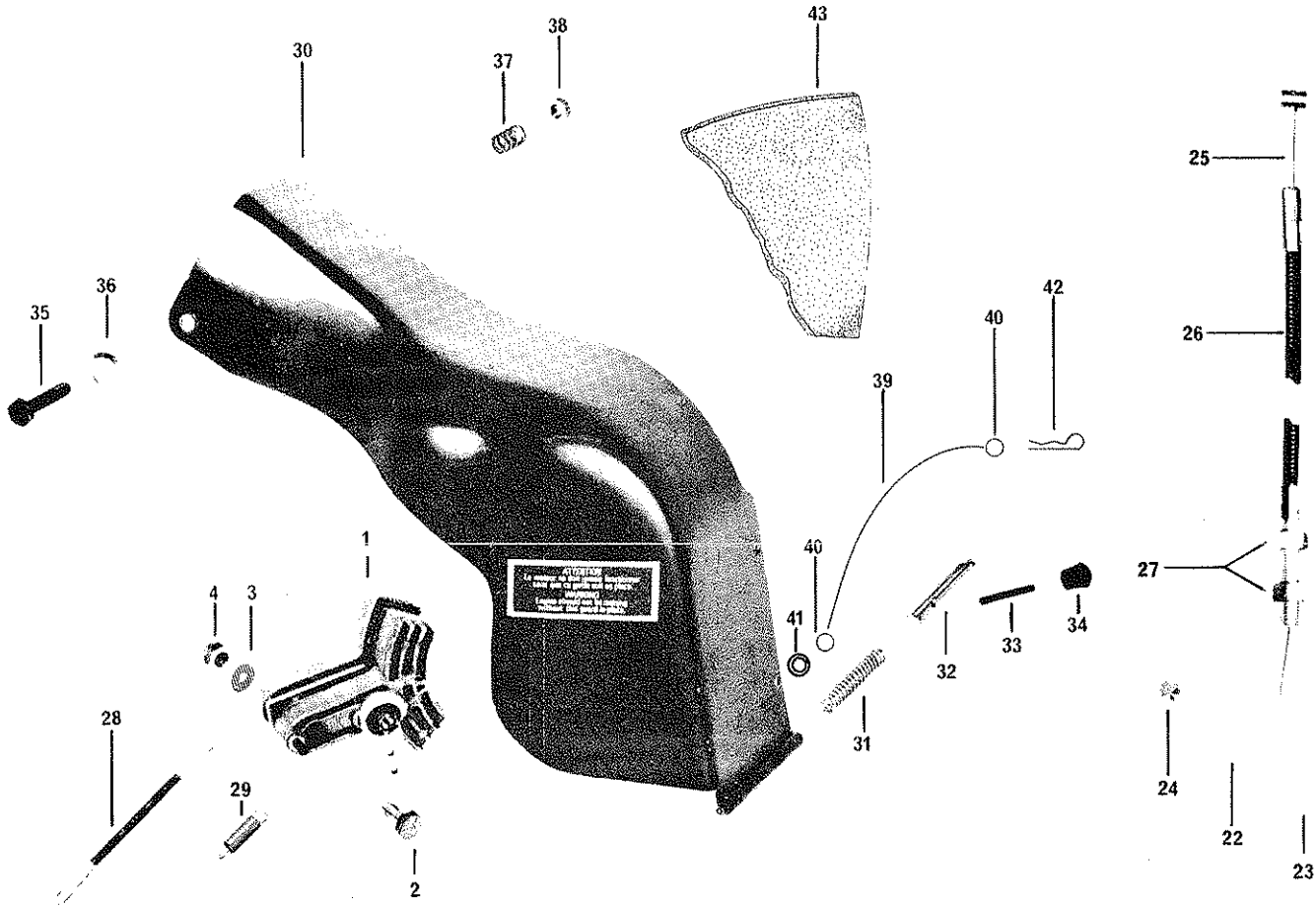


BRAKE & PULLEY GUARD (Skandic)

1974

ITEM NO.	DESCRIPTION	QUANTITY		PART NO.	
		337		1973	
1	Brake Lever	1		507 0071	
2	Shoe Ass'y	1		582 1027	
4	Lining	1		560 7010	
5	Rivet	3		390 5001	
6	Lug Spacer	2		507 0051	
7	Screw	1		300 1004	
8	Nut	3		386 6019	
9	Screw	1		309 8038	
10	Bushing	1		507 0072	
11	Screw	1		300 1001	
12	Cable Lock Bracket	1		507 0047	
13	Spring (Brake Switch)	1		414 1247	
14	Spring	1		414 1391	
15	Brake Cable	1		414 1029	
16	Brake Housing	1		414 1585	
17	Nut	2		380 7022	
18	Pulley Guard Ass'y	1		580 0920	
19	Spring	1		414 0983	
20	Pin	1		517 0568	
21	Spiral Pin	1		372 0041	
22	Cap	1		572 1783	
23	Screw	1		300 0004	
24	Retainer Washer	1		517 0417	
25	Spring	1		414 0616	
26	Nut	1		387 2019	
27	Pulley Guard Label	1		414 1087	
28	Wire (Mult 12")	AR		409 6021	
29	Open Barrel	2		409 0018	
30	Hair Pin Cotter	1		414 1083	

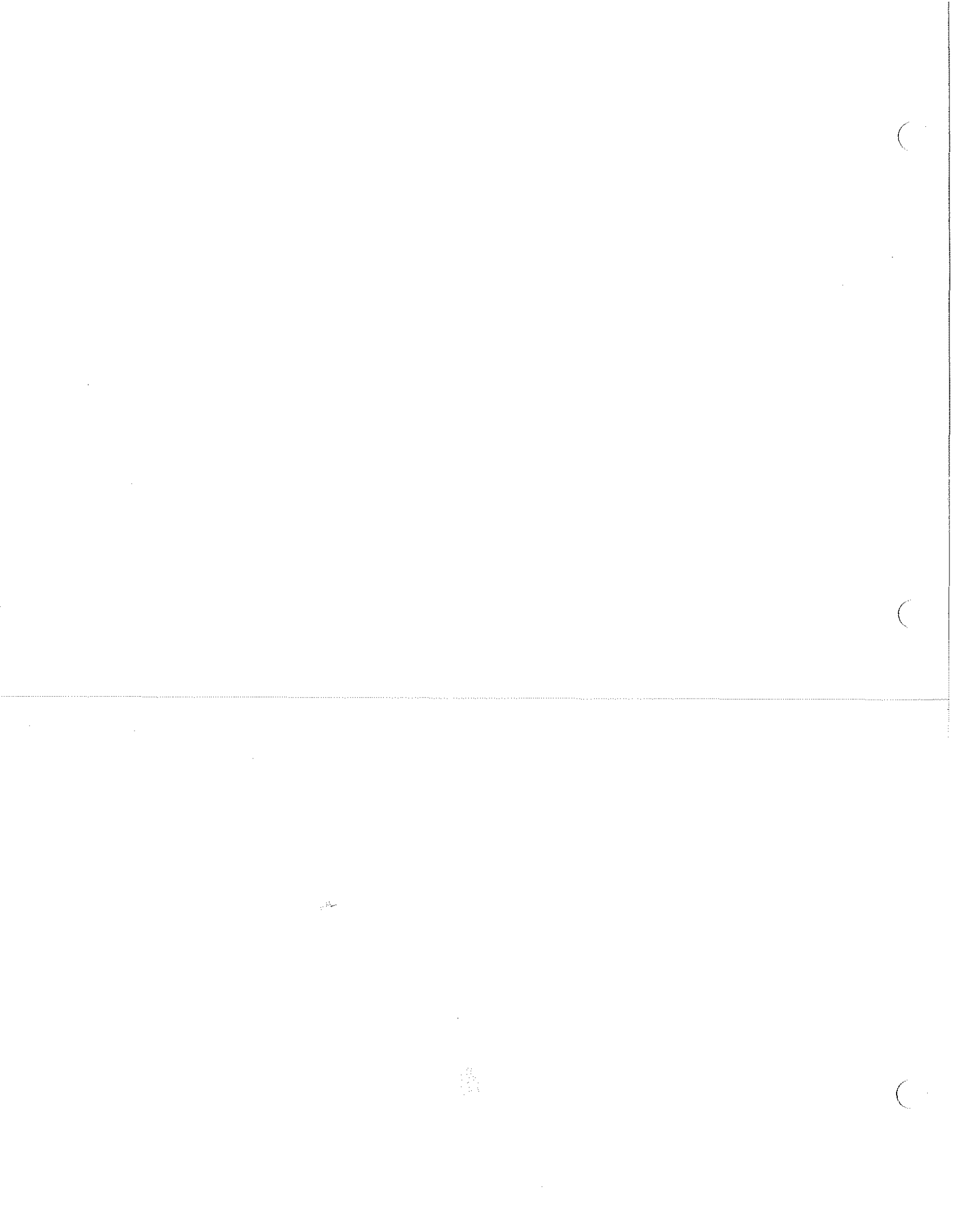
BRAKE – PULLEY GUARD (ELITE)



BRAKE – PULLEY GUARD (ELITE)

1974

ITEM NO.	DESCRIPTION	QTY	PART. NO.	
			1974	1973
1	Disk Brake Unit	1		560 7012
2	Screw	2	300 1041	300 1041
3	Washer	2	399 9083	
4	Nut	2	386 6022	386 6022
5	Side Carrier	1	414 2046	414 2046
6	Pad	2	414 2047	414 2047
7	Rivet	8	414 2048	414 2048
8	Screw	1	414 2043	414 2043
9	Spring	2	414 2044	414 2044
10	Screw	1	300 1048	300 1048
11	Spring	2	414 0077	414 0077
12	N Z. Bracket	1	507 0085	560 7016
13	Cam Side Carrier	1	414 2045	414 2045
14	Ball Bearing	2	414 2042	414 2042
15	Cam	1	414 0356	414 0356
16	Washer	1	414 1072	414 1072
17	Nut (castle)	1	382 4022	382 4022
18	Hair Pin	1	414 0322	414 0322
19	Nut	1	386 6022	386 6022
20	Screw	1	300 4005	300 4005
21	Cam Nut	1	389 9003	389 9003
22	Cable Lock Bracket	1	507 0047	507 0047
23	Screw	1	300 1003	560 7011
24	Nut	2	386 6019	386 6019
25	N Brake Cable	1	414 1910	414 1621
26	N Cable Housing	1	414 1905	414 1622
27	Nut	2	380 7022	380 7022
28	N Spring	1	414 2058	
29	N Spring (Brake Switch)	1	414 1659	414 1603
30	Pulley Guard Ass'y	1	580 3170	580 0920
31	Spring	1	414 0983	414 0983
32	Pin	1	517 0568	517 0415
33	Spirol Pin	1	372 0041	372 0041
34	Cap	1	572 1783	572 1783
35	Screen	1	300 0004	300 0004
36	Retainer Washer	1	517 0417	517 0417
37	Spring	1	414 0616	414 0616
38	Nut	1	387 2019	387 2019
39	Wire (Mult 12'')	AR	109 5030	409 6021
40	Open, Barrel	2	409 0018	409 0018
41	Eyelet	1	414 1061	414 1061
42	Hair Pin	1	414 1083	
43	Acoustic Foam (Mult 12'')	AR	414 1814	

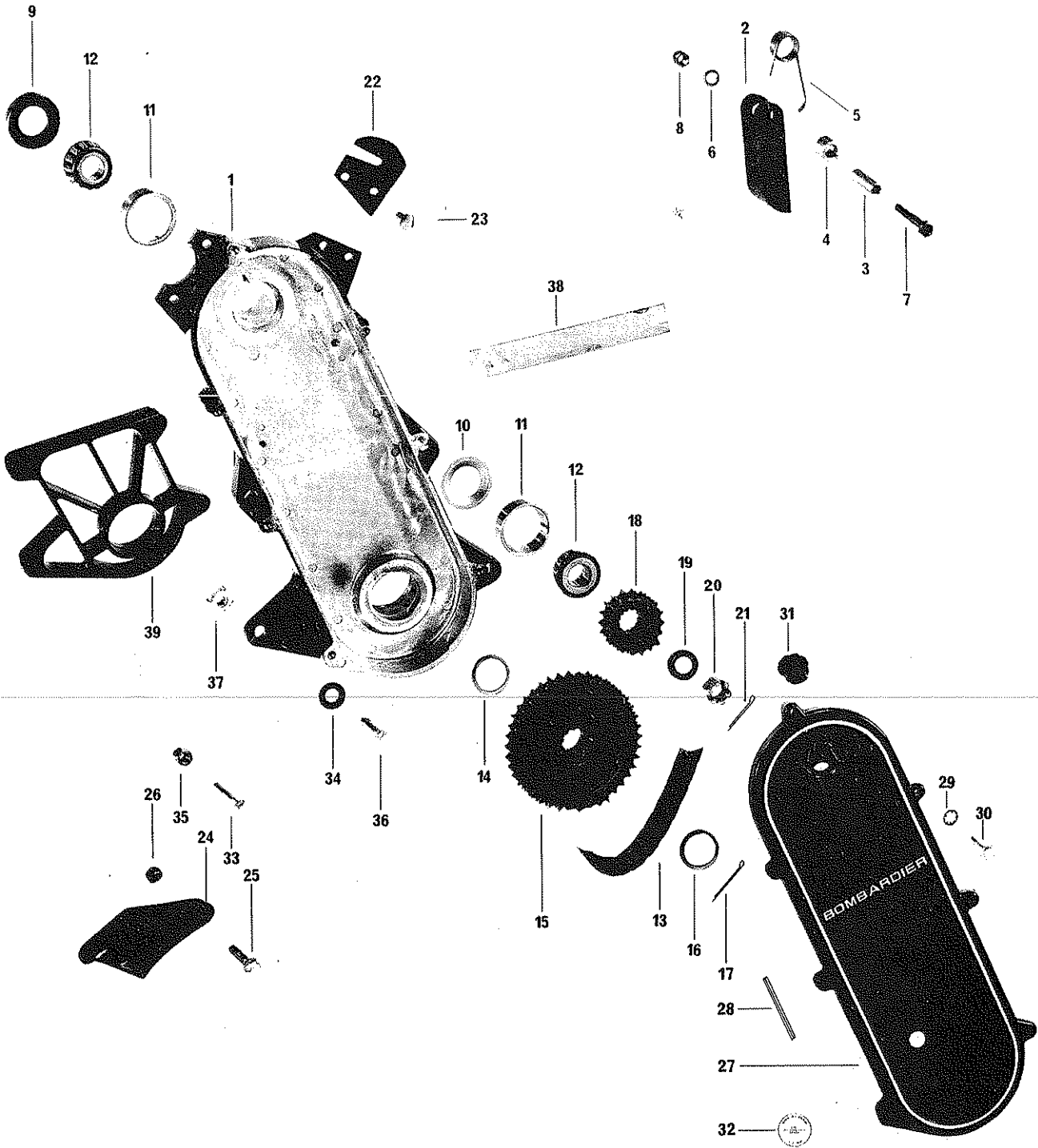


CHAIN CASE (ELAN)
292 (1 Cyl.) in 1972 Only 294 (2 Cyl.) in 1974 Only

1974

ITEM NO.	DESCRIPTION	QUANTITY					PART NO.		
		247	248	249	292	294	1974	1973	1972
1	N Chain Case	1	1		1		504 0267	504 0215	504 0167
1	<input type="checkbox"/> N Chain Case			1		1	504 0274	504 0249	
2	Chain Tensioner	1	1	1	1	1	572 0405	572 0405	572 0401
3	Bushing	1	1	1	1	1	504 0104	504 0104	504 0114
4	Spacer	1	1	1	1	1	504 0182	504 0182	504 0182
5	<input type="checkbox"/> Spring	1	1	1	1	1	414 1306	414 1306	560 4018
6	Washer (Fiber)	2	2	2	2	2	399 9061	399 9061	399 9061
7	N Screw	1	1	1	1	1	300 5006	300 1006	300 1006
8	<input type="checkbox"/> Nut	1	1	1	1	1	386 9102	386 6119	386 6019
9	Oil Seal	1	1		1		406 3004	406 3004	406 3004
9	Oil Seal			1		1	406 3005	406 3005	
10	Oil Retainer Ring	1	1		1		504 0046	504 0046	504 0046
10	Oil Retainer Ring			1		1	504 0058	504 0058	
11	Bearing Cup	2	2		2		405 0002	405 0002	405 0002
11	Bearing Cup			2		2	405 0003	405 0003	
12	Bearing Cone	2	2		2		405 0001	405 0001	405 0001
12	<input type="checkbox"/> Bearing Cone			2		2	405 0004	405 0004	
13	Chain 1/2" Pitch Single, 62 Roll	1			1		412 1025	412 1025	412 1015
13	Chain 1/2" Pitch Double, 89 Roll		1	1		1	412 1026	412 1026	
14	Sprocket 25th Single, 1" Shaft 1/2" Pitch, 10 Splines	1			1		504 0013	504 0013	504 0013
14	Sprocket 35th Double, 1" Shaft 3/8" Pitch, 10 Splines		1				504 0129	504 0129	
14	<input type="checkbox"/> Sprocket 35th Double, 1" Shaft 3/8" Pitch, 10 Splines			1			504 0129	504 0045	
14	<input type="checkbox"/> Sprocket 34th Double, 1" Shaft 3/8" Pitch, 10 Splines					1	504 0045	504 0045	
15	Spacer	2	2	2	2	2	504 0039	504 0039	504 0039
16	N Cotter Pin	1	1	1	1	1	371 8006	371 0013	371 0013
17	Sprocket 10th Single, 3/4" Shaft 1/2" Pitch, 8 Splines	1			1		504 0008	504 0008	504 0008
17	Sprocket 14th Double, 3/4" Shaft 3/8" Pitch, 8 Splines		1				504 0091	504 0091	
17	Sprocket 14th Double, 1" Shaft 3/8" Pitch, 15 Splines			1			504 0127	504 0127	
17	Sprocket 15th Double, 1" Shaft 3/8" Pitch, 15 Splines					1	504 0124		
18	Shaft Washer	1	1		1		504 0015	504 0015	504 0015
18	Shaft Washer			1		1	417 0009	417 0009	
19	Nut	1	1		1		381 2028	381 2028	381 2028
19	Nut			1		1	389 8024	389 8024	
20	<input type="checkbox"/> Cotter Pin	1	1		1		371 8002	371 0011	371 0011
20	<input type="checkbox"/> N Cotter Pin			1		1	371 8008	371 0032	
21	Chain Case Plug	1	1	1	1	1	570 0406	570 0406	570 0406
22	Access Plug	1	1	1	1	1	570 0413	570 0413	570 0413
23	<input type="checkbox"/> N Inspection Cover	1	1	1	1	1	570 0417	570 0415	570 0403
24	Bracket	1	1	1	1	1	504 0216	504 0216	504 0143
25	Washer	3	3	3		3	399 9007	399 9007	
26	<input type="checkbox"/> "U" Clamp	1	1	1	1	1	504 0042	504 0042	504 0042
27	Spacer Plate	1	1		2		504 0248	504 0098	504 0098
27	Spacer Plate			1		1	504 0248	504 0248	
28	Nut	4	4	4	4	4	386 9001	386 6022	386 6022
29	Shim	AR	AR	AR	AR	AR	504 0020	504 0020	504 0020
30	<input type="checkbox"/> N Special Screw	1	1	1			309 9009		
30	<input type="checkbox"/> N Special Screw					1	309 9019		
	Hinge Rod	1	1		1			561 7066	561 7066
	Hinge Rod			1				504 0247	
	Nut	2	2	2	2			380 7022	380 7022
31	<input type="checkbox"/> Breather	1	1	1		1	572 0406		

CHAIN CASE (OLYMPIQUE)

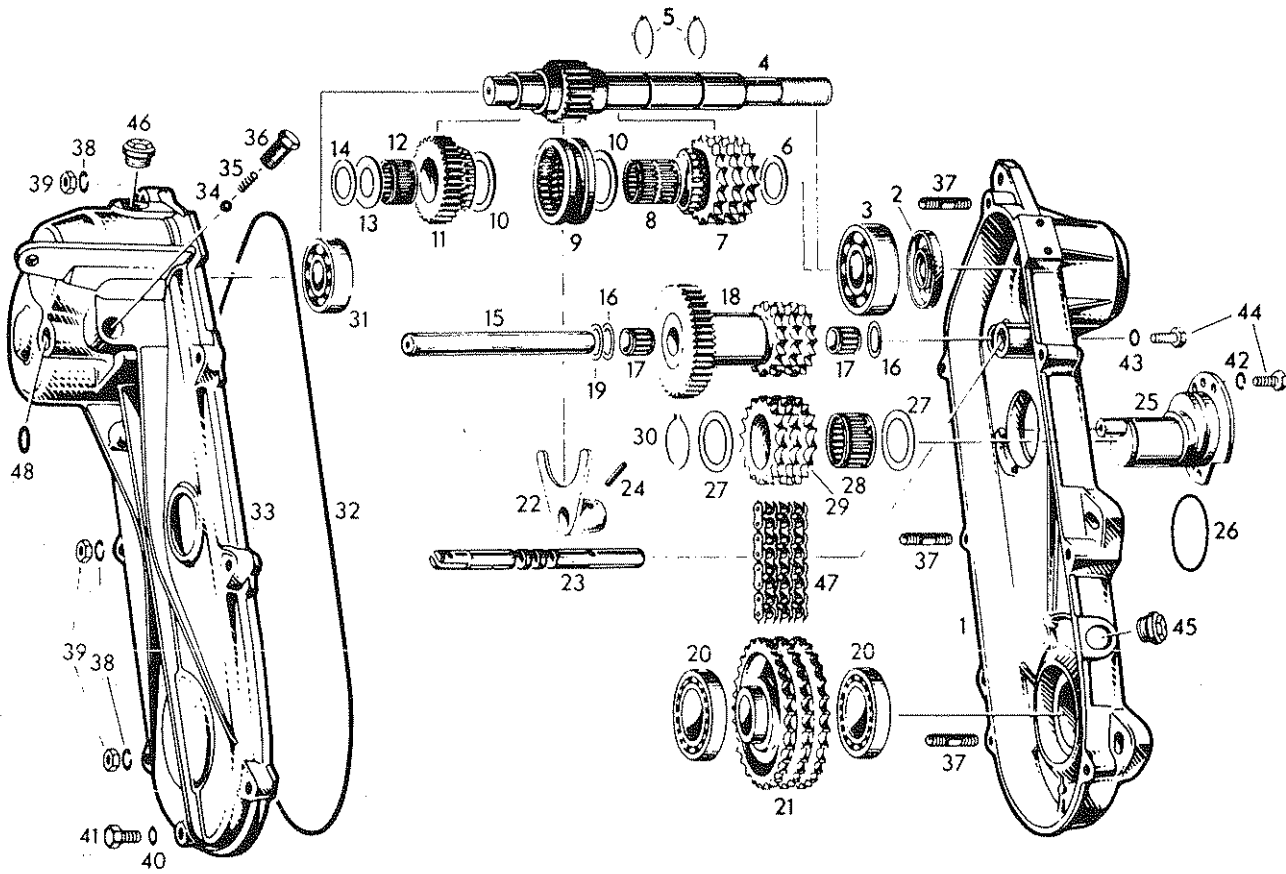


CHAIN CASE (OLYMPIQUE)
In 1974 - 302-338-401 Only

1974

ITEM NO.	DESCRIPTION	QUANTITY					PART NO.		
		302	337	338	401	434	1974	1973	1972
33	Screw 1 1/4" L	1	1				300 1044	300 1044	
33	Screw 1 1/2" L	2	2				300 1045	300 1045	
	"U" Clamp	1	1						504 0042
33	Screw 2 1/4" L			1	1	1	300 1048	300 1048	
33	Screw 2 1/2" L			2	2	2	300 1050	300 1050	
	"U" Clamp				1				504 0047
34	Washer	7	7	7	7	7	391 0023	391 0023	399 9007
35	Nut	3	3	3	3	3	386 6022	386 6022	386 6022
36	Screw 1 1/4" L	1	1				309 8052	309 8052	
	Chain Case Bracket	1	1						504 0087
36	Screw 2 1/4" L			1	1	1	309 8054	309 8054	
	Chain Case Bracket				1				504 0086
37	Clip Nut	1	1	1	1	1	389 8052	389 8052	
	Washer	1	1		1				391 0023
38	Shim	AR	AR	AR	AR	AR	504 0179	504 0179	
	Shim (1972 - 300-335)	AR	AR						504 0020
	Shim (1972 - 399)				AR				504 1080
39	Spacer			1	1	1	572 2742	572 2742	
	Special Screw	1	1		1				309 8039

GEAR BOX (NORDIC 640E)



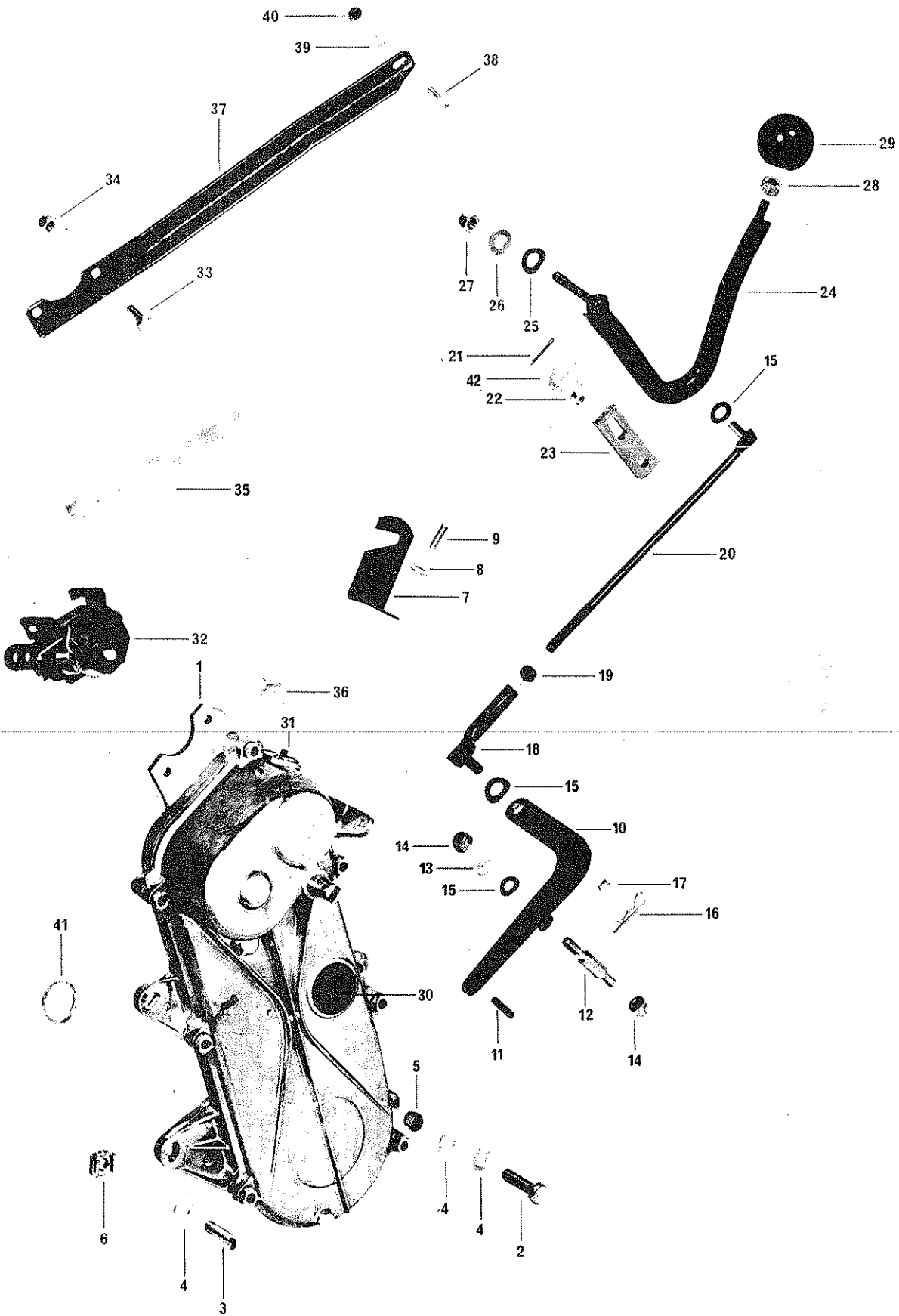
ITEM NO.	DESCRIPTION	QTY	PART NO.		
			1974	1973	1972
□	N Gear Box Ass'y W/Chain 94 Link	1	560 4023	417 1086	417 1709
1	Housing	1	417 1056	417 1056	417 1056
2	Oil Seal	1	417 1007	417 1007	417 1007
3	Ball Bearing 6305	1	402 1005	402 1005	402 1005
4	□ N Drive Shaft	1	420 437 216	417 1090	417 1070
5	Circlip	2	417 1014	417 1014	417 1014
6	Shim 1.0mm	1	417 1085	417 1085	417 1085
7	Shift Sprocket 19T	1	417 1091	417 1091	417 1067
8	Needle Cage	1	417 1062	417 1062	417 1062
9	Gear Shift Sleeve	1	417 1092	417 1092	417 1075
10	Washer 30.2	2	417 1093	417 1093	417 1058
11	Shift Sprocket 22T	1	417 1094	417 1094	417 1065
12	Needle Cage	1	417 1061	417 1061	417 1061
13	Shim 20.5mm	1	417 1080	417 1080	417 1080
14	Shim 0.2mm	AR	402 1019	402 1019	402 1019
14	Shim 0.3mm	AR	402 1016	402 1016	402 1016
14	Shim 0.5mm	AR	402 1017	402 1017	402 1017
14	Shim 0.4mm	AR	402 1020	402 1020	402 1020
14	Shim 0.8mm	AR	402 1021	402 1021	402 1021
14	Shim 0.15mm	AR	402 1022	402 1022	402 1022
15	Lay Axle	1	417 1071	417 1071	417 1071
16	Washer 16.3	2	417 1055	417 1055	417 1055
17	Needle Cage	2	417 1016	417 1016	417 1016
18	Layshaft Gear Ass'y	1	417 1095	417 1095	417 1066

GEAR BOX (NORDIC 640E)

1974

ITEM NO.	DESCRIPTION	QTY	PART NO.		
			1974	1973	1972
19	Shim 0.3mm	AR	417 1035	417 1035	517 1035
19	Shim 0.5mm	AR	417 1036	417 1036	417 1036
19	Shim 1.0mm	AR	402 6016	402 6016	402 6016
19	Shim 0.15mm	AR	417 1037	417 1037	417 1037
20	Ball Bearing	2	417 1064	417 1064	417 1064
21	Sprocket 33T	1	417 1069	417 1069	417 1069
22	Gear Change Fork	1	417 1096	417 1096	417 1073
23	Gear Change Rod	1	417 1097	417 1097	417 1074
24	Helical Pin 5 X 24	1	417 1081	417 1081	417 1081
25	Tensioner Axle Ass'y	1	417 1072	417 1072	417 1072
26	"O" Ring	1	417 1045	417 1045	417 1045
27	Washer 32.2	2	417 1044	417 1044	417 1044
28	Needle Cage	1	417 1063	417 1063	417 1063
29	Tensioner Sprocket 18T, Triple	1	417 1068	417 1068	417 1068
30	Circlip	1	417 1052	417 1052	417 1052
31	Ball Bearing	1	417 1083	417 1083	417 1083
32	Sealing Ring	1	417 1060	417 1060	417 1060
33	Cover Housing	1	417 1057	417 1057	417 1057
34	Ball 8	1	417 1082	417 1082	417 1082
35	Spring	1	417 1077	417 1077	417 1077
36	Plug	1	417 1078	417 1078	417 1078
37	Stud M8 X 25	7	402 2002	402 2002	402 2002
38	Lock Washer 8	7	402 0016	402 0016	402 0016
39	Hex. Nut M8	7	402 0018	402 0018	402 0018
40	Sealing Ring	1	402 0019	402 0019	402 0019
41	Hex. Screw M8 X 9	1	402 0020	402 0020	402 0020
42	Lock Washer 6	1	402 0015	402 0015	402 0015
43	Washer 6.3	1	402 4129	402 4129	402 4129
44	Hex. Screw M6 X 14	2	402 5012	402 5012	402 5012
45	Plug M18 X 1.5	1	417 1084	417 1084	417 1084
46	Breather	1	572 0409	572 0409	417 1034
47	Triplex Roller Chain 94 Link	1	417 1076	417 1076	417 1076
48	"O" Ring	1	417 1059	417 1059	417 1059

GEARBOX MECHANISM (NORDIC)

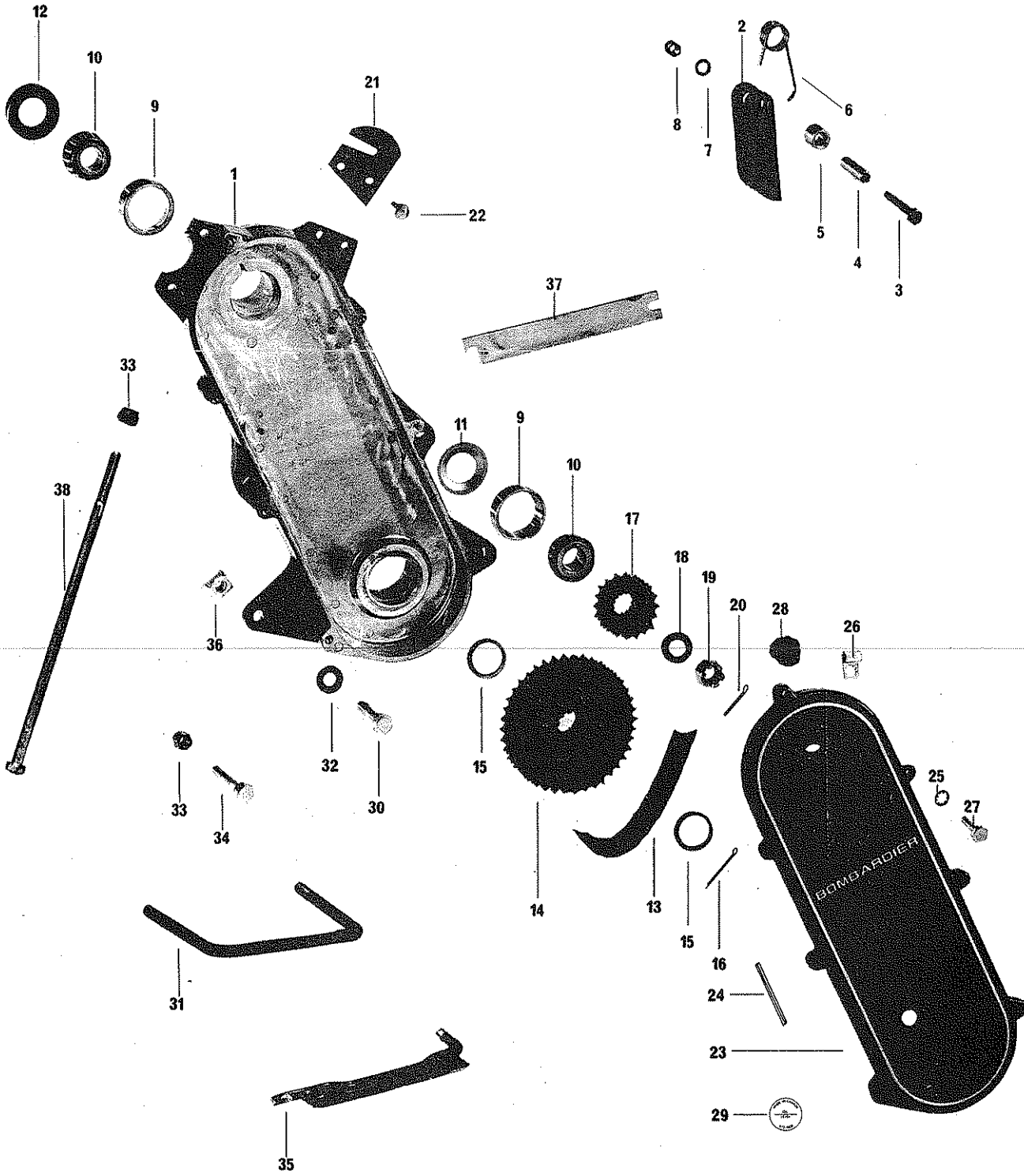


GEAR BOX MECHANISM (NORDIC 640)

1974

ITEM NO.	DESCRIPTION	QTY	PART NO.		
			1974	1973	1972
1	□ N Transmission	1	560 4023	417 1086	417 1079
2	Screw	3	300 1044	300 1044	300 1044
3	Screw	1	309 8052	309 8052	309 8052
4	Washer	7	391 0023	391 0023	391 0023
5	Nut	3	386 6022	386 6022	386 6022
6	Clip Nut	1	389 8052	389 8052	389 8052
7	Bracket	1	504 0206	504 0206	504 0206
8	Washer	2	399 9015	399 9015	399 9015
9	Screw	2	300 5001	300 5001	300 5001
10	Shifter Arm Plate	1	504 2096	504 2096	504 2096
11	Spirol Pin	1	372 0090	372 0090	372 0090
12	Stud	1	504 0205	504 0205	504 0205
13	Washer	1	399 9015	399 9015	399 9015
14	Nut	2	386 6019	386 6019	386 6019
15	Spring Washer	3	399 9059	399 9059	399 9059
16	Hair Pin	1	414 1083	414 1083	
	Screw	1			300 1001
	Nut	1		386 6019	386 6019
17	Spacer Sleeve	1	504 0187	504 0187	504 0187
18	Adjuster Tube	1	504 0270	504 0270	504 0185
19	Nut	1	380 7022	380 7022	380 7022
20	N Shifter Rod	1	504 0275	504 0236	560 4016
21	Cotter Pin	1	371 8002		
	Screw	1		300 1003	300 1008
22	Spacer Sleeve	1	504 0246	504 0246	504 0184
23	Shifter Plate	1	504 0237	504 0237	
24	Shifter Arm	1	504 2132	504 2132	504 2098
25	Spring Washer	1			399 9060
26	Washer	1			391 0023
27	Nut	1	386 7028	386 7028	386 6022
28	Jam Nut	1			385 8022
29	Ball	1	414 1113	414 1113	414 1113
30	Rubber Cover	1	570 0416	570 0416	570 1737
31	Breather	1	572 0409	572 0409	417 1034
32	Brake Ass'y (See Section Brake)				
33	Screw	2	300 1003	300 1003	300 1003
34	Nut	2	386 6019	386 6019	386 6019
35	Shim	AR	504 0194	504 0194	504 0194
36	Clip	1			513 0053
37	Brace Plate	1			504 0186
38	Screw	1			320 9063
39	Washer	2			399 9018
40	Nut	1			386 6013
41	Spacer	1		504 0039	504 0039
42	□ Washer	1	399 9015		

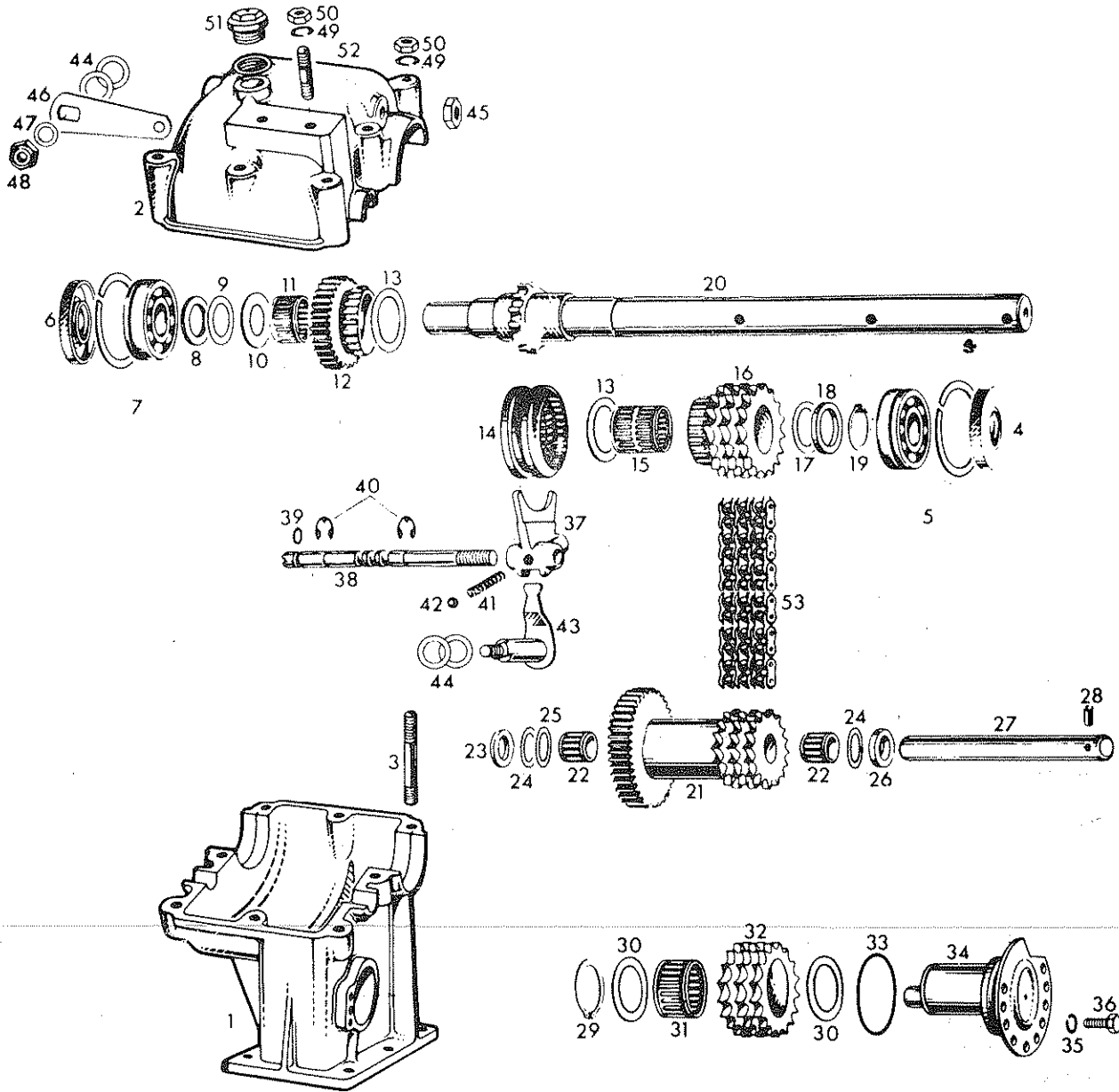
CHAINCASE (NORDIC)



CHAIN CASE (NORDIC)
Nordic 399 & 640 in 1971 Only

ITEM NO.	DESCRIPTION	QUANTITY			PART NO.	
		399	434	640	1972	1971
1	Chain Case	1	1		504 0173	504 0112
1	Chain Case			1		504 0116
2	Chain Tensioner	2	2	2	572 0402	572 0402
3	Screw	2	2	2	300 4005	300 1006
4	Bushing	2	2	2	504 0104	504 0104
5	Spacer	2	2		504 0182	
6	Spring	2	2	2	560 4018	414 1306
7	Washer	4		4		402 0064
8	Nut	2		2		386 6019
9	Bearing Cup	2	2		405 0002	405 0002
9	Bearing Cup			2		405 0003
10	Bearing Cone	2	2		405 0001	405 0001
10	Bearing Cone			2		405 0004
11	Oil Retainer Ring	1	1		504 0046	504 0046
11	Oil Retainer Ring			1		504 0058
12	Oil Seal	1	1		406 3004	406 3001
12	Oil Seal			1		406 3003
13	Chain 3/8" Pitch Double 88 Roll. Endless	1	1		412 1007	412 1007
13	Chain 3/8" Pitch Double 90 Roll. Endless			1		412 1010
14	Sprocket 34 T.D. 1" Shaft 3/8" Pitch, 10 Splines	1	1	1	504 0045	504 0045
15	Spacer	2	2	2	504 0039	504 0039
16	Cotter Pin	1	1	1	371 0013	371 0013
17	Sprocket 16 T.D. 3/4" Shaft 3/8" Pitch, 8 Splines	1	1		504 0061	504 0061
17	Sprocket 20 T.D. 1" Shaft, 3/8" Pitch, 15 Splines			1		504 0083
18	Shaft Washer	1	1		504 0015	504 0015
18	Shaft Washer			1		417 0009
19	Nut	1	1		381 2028	381 2028
19	Nut			1		389 8024
20	Cotter Pin	1	1		371 0011	371 0011
20	Cotter Pin			1		371 0032
21	Bracket		1		504 0177	
22	Rivet		2		390 5016	
23	Chain Case Cover		1		504 0172	
	Inspection Cover	1		1		570 0403
	Access Plug	1		1		570 0413
24	"O" Ring		1		414 0930	
25	Washer		7		399 8010	
26	Clip		1		517 0391	
27	Screw		7		300 5003	
28	Breather		1		572 0406	
29	Chain Case Plug	1	1	1	570 0406	570 0406
30	Screw 1 1/4" L.		1		300 1044	
30	Screw 1 1/2" L.		2		300 1045	
31	"U" Clamp	1				504 0042
31	"U" Clamp			1		504 2038
32	Washer	3	2	3	391 0023	391 0023
33	Nut	3	3	3	386 6022	386 6022
34	Screw 1 1/4" L.		1		309 8052	
35	Bracket	1				504 0087
35	Bracket			1		504 0088
36	Clip Nut		1		389 8052	
37	Shim	AR	AR	AR	504 0179	504 0020
38	Special Screw	1		1		309 8030

GEAR-BOX



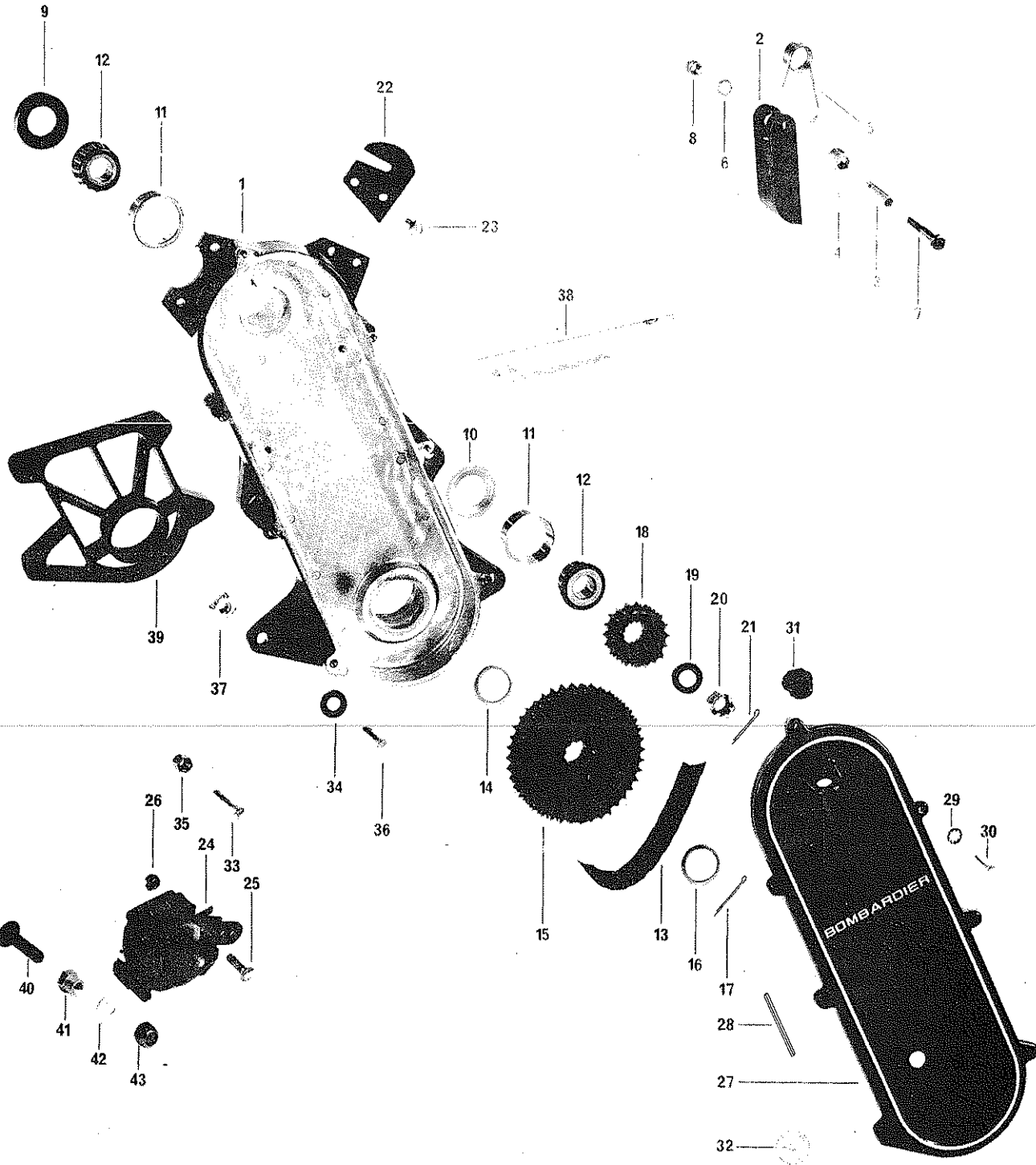
ITEM NO.	DESCRIPTION	QUANTITY			PART NO.	
		Val.	Alp.	Elite	1973	1972
1-2-3	Housing	1	1	1	417 1051	417 1051
3	Stud M8 X 52	8	8	8	417 1006	417 1006
4	Oil Seal	1	1	1	417 1007	417 1007
5	Ball Bearing W/Groove Ring	1	1	1	405 4006	405 4006
6	Oil Seal	1	1	1	417 1104	417 1007
7	Ball Bearing W/Groove Ring	1	1	1	417 1113	405 4006
8	Distance Ring 2.5MM	1	1	1	417 1100	
9	Shim 0.2 MM	AR	AR	AR	402 1019	
	Shim 0.3 MM	AR	AR	AR	402 1016	
	Shim 0.5 MM	AR	AR	AR	402 1017	402 1025
	Shim 0.4 MM	AR	AR	AR	402 1020	
	Shim 0.8 MM	AR	AR	AR	402 1021	
	Shim 0.15 MM	AR	AR	AR	402 1022	
10	Washer 20.5	1	1	1	417 1080	
11	Needle Cage	1	1	1	417 1061	

GEAR BOX

1974

ITEM NO.	DESCRIPTION	QUANTITY			PART NO.	
		Val.	Alp.	Elite	1973	1972
12	Shift Sprocket 22 t	1	1	1	417 1094	417 1008
13	Washer 30.2	2	2	2	417 1093	417 1010
14	Gear Shift Sleeve	1	1	1	417 1092	
15	Needle Cage	1	1	1	417 1062	417 1012
16	Shift Sprocket 17 t	1	1	1	417 1106	417 1011
17	Washer 25.5	1	1	1	417 1085	402 1026
	Shim 0.2 MM	AR	AR			402 1023
	Shim 0.3 MM	AR	AR			402 1024
	Shim 0.5 MM	AR	AR			402 1025
	Shim 1.0 MM	AR	AR			402 1026
	Shim 0.1 MM	AR	AR			402 1126
18	Distance Ring 3 MM	1	1	1	417 1101	417 1013
19	Circlip	1	1	1	417 1014	417 1014
20	Drive Shaft	1	1	1	417 1107	417 1009
21	Layshaft Gear Ass'y	1	1	1	417 1105	417 1015
22	Needle Cage	2	2	2	417 1016	417 1016
23	Distance Ring 2.9 MM	1	1	1	417 1102	
24	Shim 1.0 MM	2	2	2	402 6016	402 6016
25	Shim 0.3 MM	AR	AR	AR	417 1035	417 1035
	Shim 0.5 MM	AR	AR	AR	417 1036	417 1036
	Shim 1.0 MM	AR	AR	AR	402 6016	402 6016
	Shim 0.15 MM	AR	AR	AR	417 1037	417 1037
26	Distance Ring 5.2 MM	1	1	1	417 1103	417 1017
27	Lay Axle	1	1	1	417 1018	417 1018
28	Dowel Tube 5 X 8	1	1	1	417 1019	417 1019
29	Circlip (2 in 1972)	1	1	1	417 1052	417 1052
30	Washer 32.2	2	2	2	417 1044	417 1044
31	Needle Cage	1	1	1	417 1063	417 1046
32	Tensioner Sprocket 18 t	1	1	1	417 1068	417 1047
33	O-Ring	1	1	1	417 1045	417 1045
34	Tensioner Axle Ass'y	1	1	1	417 1108	417 1048
35	Lock Washer 6	1	1	1	402 0015	402 0015
36	Hex. Screw M6 X 15	1	1	1	402 5012	402 5012
37	Gear Change Fork	1	1	1	417 1111	417 1024
38	Index Rod	1	1	1	417 1110	417 1025
39	O-Ring	1	1	1	417 1026	417 1026
40	Locking Washer 8	2	2	2	417 1109	
41	Index Spring	1	1	1	417 1027	417 1027
42	Ball 1/4"	1	1	1	417 1028	417 1028
43	Gear Change Shaft Ass'y	1	1	1	417 1029	417 1029
44	Shim 0.3 MM	AR	AR	AR	417 1030	417 1030
44	Shim 0.5 MM	AR	AR	AR	417 1031	417 1031
45	Hex. Nut M10	1	1	1	265 6001	265 6001
46	Gear Change Lever	1	1	1	417 1033	417 1033
47	Washer 8.4	1	1	1	402 0031	402 0031
48	Lock Nut M8	1	1	1	402 2106	402 2106
49	Lock Washer 8	10	10	10	402 0016	402 0016
50	Lock Nut M8	10	10	10	402 0018	402 0018
51	Vent Plug	1	1	1	417 1034	417 1034
52	Stud M8 X 18	2	2	2	402 2003	402 2003
53	Triplex Roll Chain 94 Link (434)	1	1		417 1076	412 1017
53	Triplex Roll Chain 90 Link (640)	1	1		417 1112	417 1016
53	Triplex Roll Chain 200 Link			1	417 1099	

CHAIN CASE (T'NT - EVEREST)

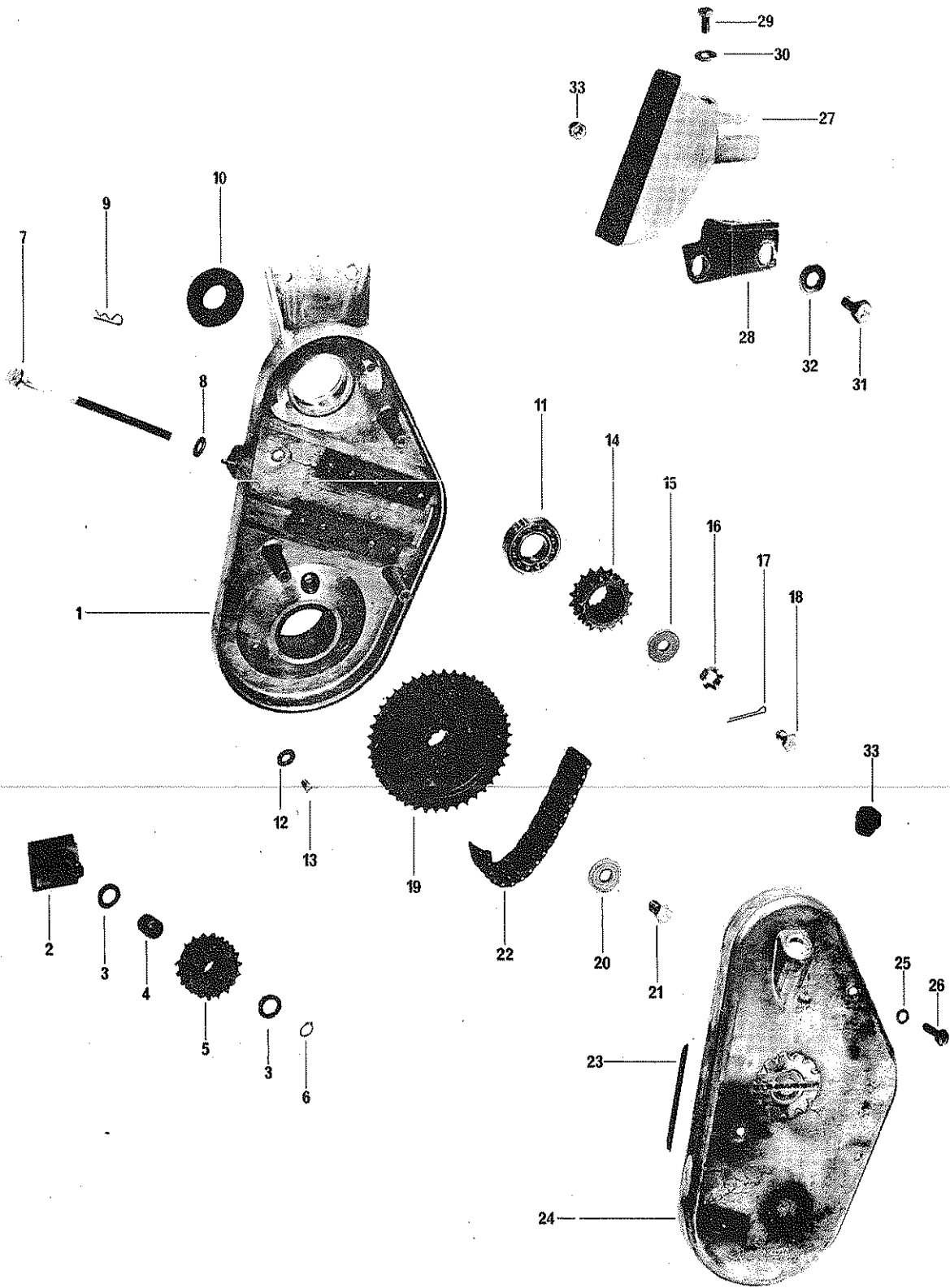


CHAINCASE (T'NT - EVEREST)

1974

ITEM NO.	DESCRIPTION	QUANTITY				PART. NO.		
		294	343	440	EVT	1974	1973	1972
1	<input type="checkbox"/> N Chain Case	1				504 0229	504 0222	504 0192
1	N Chain Case		1	1	1	504 0229	504 0222	504 0191
2	Chain Tensioner	2	2			572 0408	572 0408	572 0402
2	Chain Tensioner			2	2	572 0408	572 0408	414 0985
3	<input type="checkbox"/> Bushing	2	2			504 0181	504 0181	504 0104
3	<input type="checkbox"/> Bushing			2	2	504 0181	504 0181	504 0181
4	Spacer	2	2	2	2	504 0182	504 0182	504 0182
5	Spring	2	2	2	2	414 1306	414 1306	560 4018
6	Washer	2	2	2	2		399 9061	
7	<input type="checkbox"/> N Screw	2	2			300 5007	309 8060	300 4005
7	<input type="checkbox"/> N Screw			2	2	300 5007	309 9005	300 4006
8	Nut	2	2	2			386 9102	
9	Oil Seal	1	1	1	1	406 3005	406 3005	406 3005
10	Oil Retainer Ring	1	1	1	1	504 0058	504 0058	504 0058
11	Bearing Cup	2	2	2	2	405 0003	405 0003	405 0003
12	Bearing Cone	2	2	2	2	405 0004	405 0004	405 0004
13	Chain 3/8" Pitch Double, 88 Roll. Endless	1	1			412 1007	412 1007	412 1007
13	Chain 3/8" Pitch Triple, 92 Roll. Endless			1	1	412 1022	412 1021	412 1021
14	Spacer	1	1	1	1	504 0196	504 0196	504 0196
15	<input type="checkbox"/> N Sprocket 34 th. Double	1				414 2041	504 0045	504 0045
15	<input type="checkbox"/> Sprocket 34th. Double, 1" Shaft, 3/8" Pitch 10 Splines		1			504 0045	504 0045	504 0045
15	N Sprocket 38 th. Triple, 1" Shaft, 3/8" Pitch, 10 Splines			1	1	504 0289		
15	Sprocket 35th, Triple, 1" Shaft, 3/8" Pitch, 10 Splines			1			504 0193	504 0193
16	Spacer	1	1			501 0065	501 0065	504 0039
16	Spacer			1	1	504 0039	504 0039	504 0039
17	N Cotter Pin	1	1	1	1	371 8006	371 0031	371 0031
18	<input type="checkbox"/> Sprocket 14th Double, 1" Shaft, 3/8" Pitch, 15 Splines	1				504 0127	504 0124	504 0124
18	Sprocket 15 th Double, 1" Shaft, 3/8" Pitch, 15 Splines		1			504 0124		
18	Sprocket 16 th Double, 1" Shaft, 3/8" Pitch, 15 Splines		1				504 0106	504 0106
18	Sprocket 19 th Triple, 1" Shaft, 3/8" Pitch, 15 Splines			1	1	504 0140		
18	Sprocket 18 th Triple, 1" Shaft, 3/8" Pitch, 15 Splines			1		504 0139	504 0139	
19	Shaft Washer	1	1	1	1	417 0009	417 0009	417 0009
20	Nut	1	1	1	1	389 8024	389 8024	389 8024
21	N Cotter Pin	1	1			371 8008	371 0032	371 0032
21	N Cotter Pin			1	1	371 8009	371 0031	371 0032
22	Bracket	1	1	1			504 0177	504 0177
23	Rivet	2	2	2			390 5016	390 5016
24	Brake Ass'y (See Section Brake)	1	1	1	1			
25	<input type="checkbox"/> Screw	2	2	2	2	300 5003	300 1003	300 1003
26	Nut	2	2	2	2	386 9003	386 6019	386 6019
27	N Chain Case Cover	1	1	1	1	414 1586	414 1424	504 0172
28	"O" Ring	1	1	1	1	414 0930	414 0930	414 0930
29	<input type="checkbox"/> Washer	7	7	7	7	399 8010	399 8010	399 8010
30	<input type="checkbox"/> N Screw	7	7	7	7	309 9016	300 5003	300 5003
31	Breather	1	1	1	1	572 0406	572 0406	572 0406
32	Oil Level Indicator	1	1	1	1	572 0407	572 0407	570 0406
33	Screw 2 1/4" L (1 1/4" in 72)	1					300 1048	300 1044
33	Screw 2 1/4" L						300 1048	300 1048
33	Screw 2 1/4" L (1 1/2" in 72)	2					300 1050	300 1045
33	Screw 2 1/2" L		2	2			300 1050	300 1050
34	Washer	7	7	7			391 0023	391 0023
35	Nut	3	3	3			386 6022	386 6022
36	Screw 2 1/4" L (1 1/4" in 72)	1					309 8054	309 8052
36	Screw 2 1/4" L		1	1			309 8054	309 8054
37	Clip Nut	1	1	1			389 8052	389 8052
35	N Shim	AR	AR	AR	AR	504 0282	504 0179	504 0179
39	N Spacer (On 343 - 435 Only in 72)	1	1	1	1	572 0411	572 2742	414 0946
40	N Carriage Bolt	4	4	4	4	360 9008		
41	N Threaded Spacer Bushing	4	4	4	4	504 0273		
42	Washer	4	4	4	4	399 9007		
43	<input type="checkbox"/> Nut	4	4	4	4	386 9001		

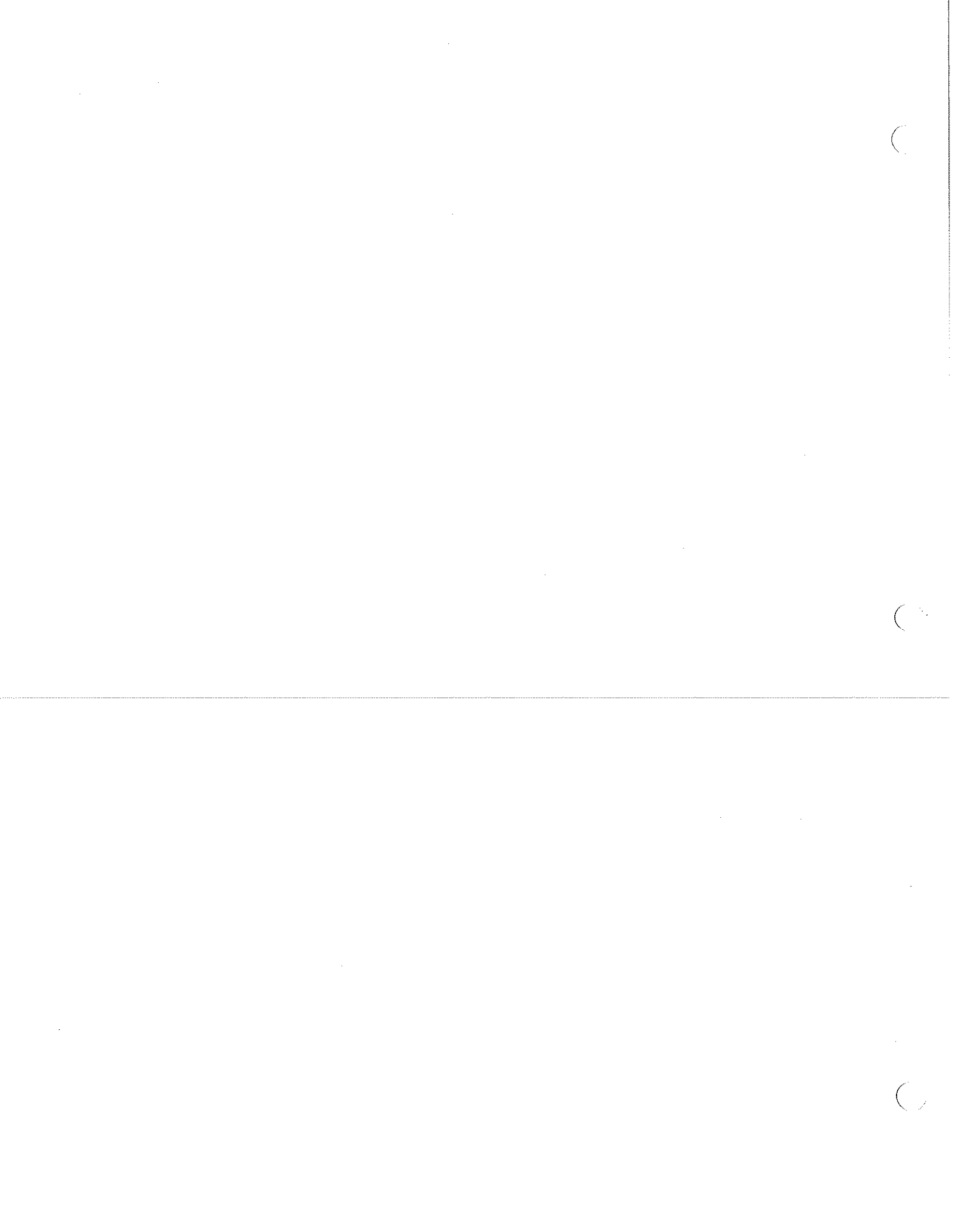
CHAIN CASE (T'NT F.A.)



CHAIN CASE (T'NT F.A.)

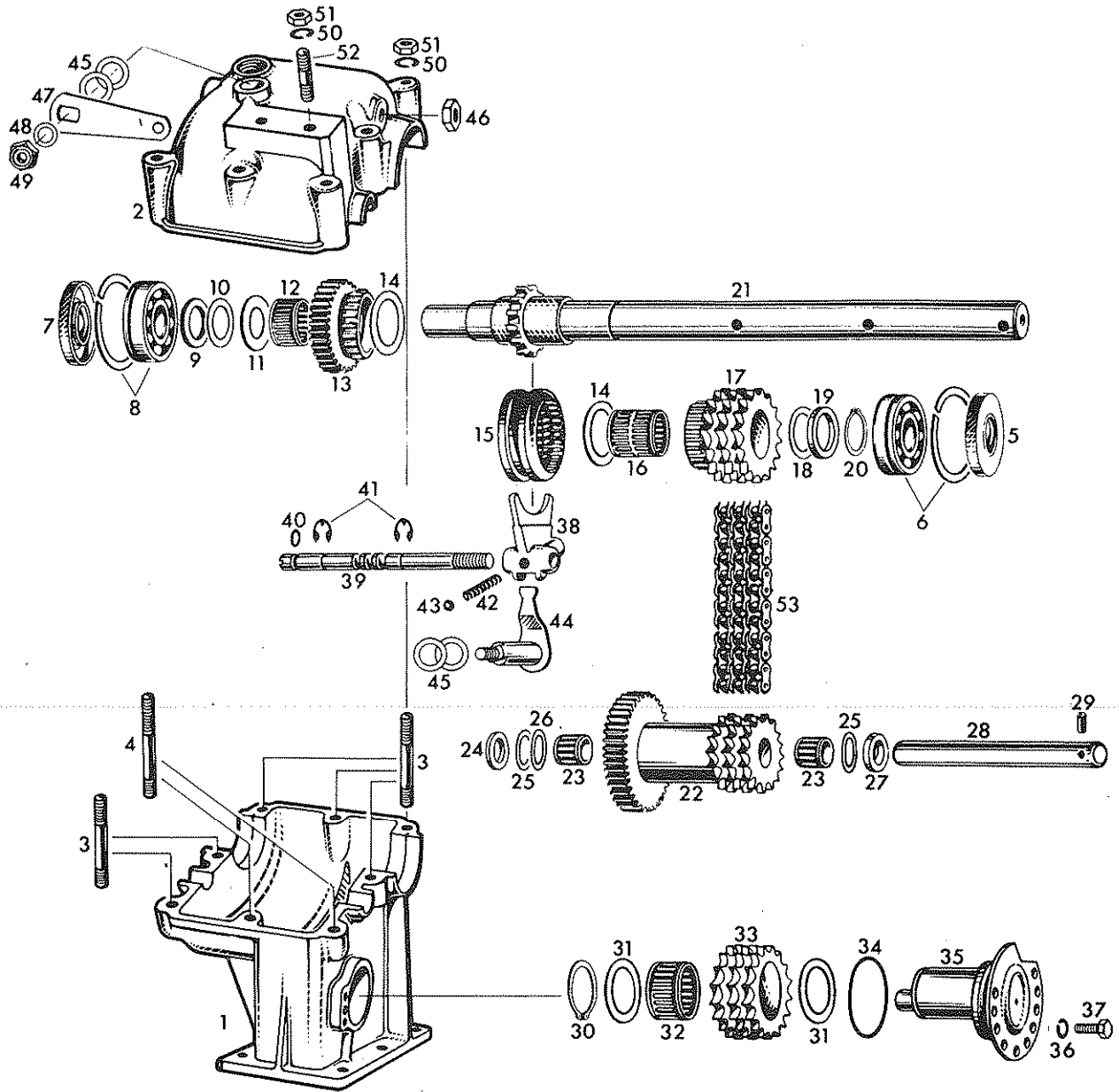
1974

ITEM NO.	DESCRIPTION	QUANTITY			PART NO.		
		346	396	436	1974	1973	1972
1	Chain Case	1	1	1	504 0242	504 0242	
2	Sliding Block	1	1	1	504 0219	504 0219	
3	Washer	2	2	2	504 0202	504 0202	
4	Bearing	1	1	1	405 4012	405 4012	
5	Idler	1	1	1	504 0201	504 0201	
6	Retaining Ring	1	1	1	371 9016	371 9016	
7	Tensioner Bolt	1	1	1	504 0200	504 0200	
8	Washer	1	1	1	399 9048	399 9048	
9	Cowling Clip	1	1	1	414 1124	414 1124	
10	Seal	1	1	1	581 1017	581 1017	
11	Bearing	1	1	1	405 4016	405 4016	
12	Washer	3	3	3	399 9049	399 9049	
13	Screw	3	3	3	300 9001	300 9001	
14	Sprocket 14 T. Triple, 3/4" Shaft, 3/8" Pitch, 8 Splines	1				504 0211	
14	Sprocket 15 T. Triple, 3/4" Shaft, 3/8" Pitch, 8 Splines	1			504 0212	504 0212	
14	Sprocket 16 T. Triple, 3/4" Shaft, 3/8" Pitch, 8 Splines	1				504 0266	
14	Sprocket 15 T. Triple, 1" Shaft, 3/8" Pitch, 15 Splines		1	1		504 0269	
14	Sprocket 16 T. Triple, 1" Shaft, 3/8" Pitch, 15 Splines			1	504 0137	504 0137	
14	Sprocket 17 T. Triple, 1" Shaft, 3/8" Pitch, 15 Splines		1	1		504 0138	
15	Washer	1			503 0207	503 0207	
15	Washer		1	1	503 0172	503 0172	
16	Castle Nut	1			381 2028	381 2028	
17	Cotter Pin	1			371 8002	371 0011	
18	Screw		1	1	309 8061	309 8061	
19	Sprocket 44 T. Triple	1	1	1	504 0213	504 0213	
20	Washer	1	1	1	503 0172	503 0172	
21	Screw	1	1	1	309 8061	309 8061	
22	Chain	1	1	1	412 1024	412 1024	
23	"O" Ring	1	1	1	406 0006	406 0006	
24	Cover	1	1	1	504 0197	504 0197	
25	Washer	3	3	3	399 9049	399 9049	
26	Screw	3	3	3	301 3001	301 3001	
27	N Rewind Starter Guide	1	1	1	512 0204	504 0253	
28	N Support	1	1	1	512 0197	414 1744	
29	Screw	2	2	2	300 5000		
30	Washer	2	2	2	399 9015		
31	Screw	2	2	2	309 8061		
32	Washer	2	2	2	399 9061		
33	Nut	2	2	2	380 7022		
34	Breather	1	1	1	572 0406	572 0406	



GEAR BOX ALPINE

1974



ITEM NO	DESCRIPTION	QUANTITY		PART NO.		
		434	640			1974
1-2-3-4	N Housing Ass'y.....	1	1			420 483 217 417 1116
3	Stud M8 x 52.....	6	6			420 940 180 417 1006
4	Stud M8 x 56.....	2	2			420 940 770 402 0007
5	Oil Seal.....	1	1			420 430 190 417 1007
6	Ball Bearing W/Groove Ring.....	1	1			420 432 040 405 4006
7	Oil Seal.....	1	1			420 430 230 417 1104
8	Ball Bearing W/Groove Ring.....	1	1			420 832 145 417 1113
9	Distance Ring 2.5 mm.....	1	1			420 427 150 417 1100

GEAR BOX ALPINE

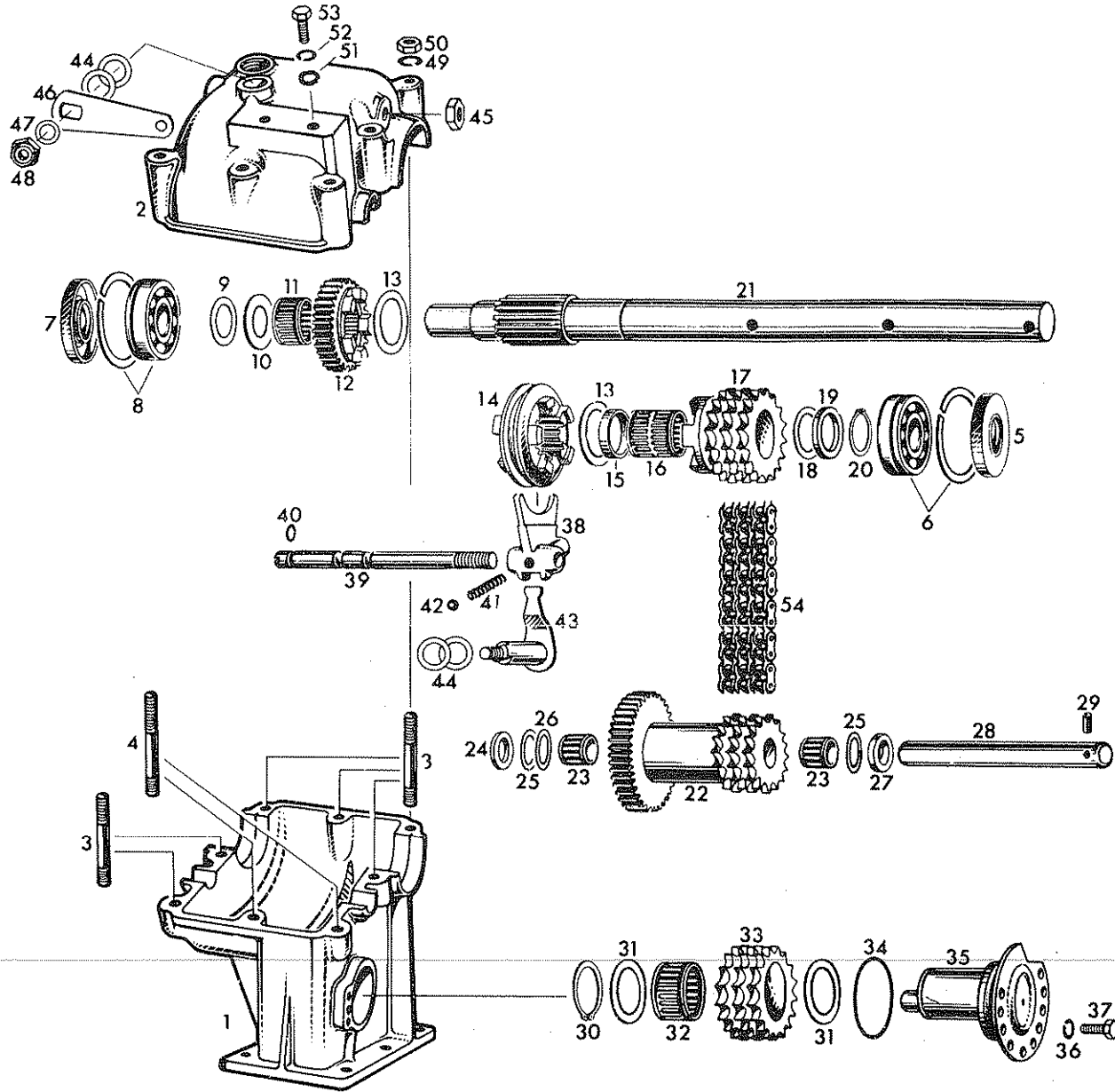
ITEM NO.	DESCRIPTION	QUANTITY		PART NO.		
		434	640			1974
10	Shim 0.2 mm.....	AR	AR			420 944 460
						402 1019
	Shim 0.3 mm.....	AR	AR			420 944 461
						402 1016
	Shim 0.5 mm.....	AR	AR			420 944 462
						402 1017
	Shim 0.4 mm.....	AR	AR			420 944 463
						402 1020
	Shim 0.8 mm.....	AR	AR			420 944 464
						402 1021
	Shim 0.15 mm.....	AR	AR			420 944 465
						402 1022
11	Washer 20.5.....	1	1			420 827 110
						417 1080
12	Needle Cage.....	1	1			420 432 060
						417 1061
13	Shift Sprocket 22 th.....	1	1			420 434 105
						417 1094
14	Washer 30.2.....	2	2			420 427 135
						417 1093
15	Gear Shift Sleeve.....	1	1			420 457 155
						417 1092
16	Needle Cage.....	1	1			420 432 070
						417 1062
17	Shift Sprocket 17 th.....	1	1			420 436 150
						417 1106
18	Washer 1 x 25.5.....	1	1			420 944 478
						417 1085
19	Distance Ring 3 mm.....	1	1			420 427 160
						417 1101
20	Circlip.....	1	1			420 945 810
						417 1014
21	Drive Shaft.....	1	1			420 437 175
						417 1107
22	Layshaft Gear Ass'y.....	1	1			420 434 125
						417 1105
23	Needle Cage.....	2	2			420 432 030
						417 1016
24	Distance Ring 2.9 mm.....	1	1			420 427 170
						417 1102
25	Shim 1.0 mm.....	2	2			420 246 152
						402 6016
26	Shim 0.3 mm.....	AR	AR			420 246 150
						417 1035
	Shim 0.5 mm.....	AR	AR			420 246 151
						417 1036
	Shim 1.0 mm.....	AR	AR			420 246 152
						402 6016
	Shim 0.15 mm.....	AR	AR			420 246 153
						417 1037
27	Distance Ring 5.2 mm.....	1	1			420 427 175
						417 1103
28	Lay Axle.....	1	1			420 437 180
						417 1018
29	Dowel Tube 5 x 8.....	1	1			420 929 380
						417 1019
30	Circlip.....	1	1			420 945 720
						417 1052
31	Washer 32.2.....	2	2			420 427 110
						417 1044
32	Needle Cage.....	1	1			420 432 080
						417 1063

GEAR BOX ALPINE

1974

ITEM NO.	DESCRIPTION	QUANTITY		PART NO.		
		434	640			1974
33	Tensioner Sprocket .18 th.....	1	1			420 436 130 417 1068
34	"O" Ring.....	1	1			420 430 170 417 1045
35	Tensioner Axle Ass'y.....	1	1			420 437 255 417 1108
36	Lock Washer 6.....	1	1			420 945 751 402 0015
37	Hex. Screw M6 x 14.....	1	1			420 240 911 402 5012
38	Gear Change Fork.....	1	1			420 457 105 417 1111
39	Index Rod.....	1	1			420 457 095 417 1110
40	"O" Ring.....	1	1			420 430 200 417 1026
41	Locking Washer 8.....	2	2			420 445 030 417 1109
42	Index Spring.....	1	1			420 438 040 417 1027
43	Ball 1/4".....	1	1			420 232 410 417 1028
44	Gear Change Shaft Ass'y.....	1	1			420 457 115 417 1029
45	Shim 0.3 mm.....	AR	AR			420 944 850 417 1030
	Shim 0.5 mm.....	AR	AR			420 944 851 417 1031
46	Hex. Nut M10.....	1	1			420 242 091 265 6001
47	N Gear Change Lever.....	1	1			420 448 085 417 1118
48	Washer 8.4.....	1	1			420 250 311 402 0031
49	Lock Nut M8.....	1	1			420 942 030 402 2106
50	Lock Washer 8.....	10	10			420 945 752 402 0016
51	Hex. Nut M8.....	10	10			420 242 201 402 0018
52	Stud M8 x 18.....	2	2			420 941 720 402 2003
53	Triplex Roller Chain, 94 Links.....	1				420 499 022 417 1076
53	Triplex Roller Chain 90 Links.....		1			420 499 024 417 1112

GEAR BOX ELITE



ITEM NO.	DESCRIPTION	QTY	PART NO.	
				1974
1-2-3-4	N Housing Ass'y.....	1		420 483 217
3	Stud M8 x 52.....	6		417 1116 420 940 180
4	Stud M8 x 56.....	2		417 1006 420 940 770
5	Oil Seal.....	1		402 0007 420 430 190
6	Ball Bearing W/Groove Ring.....	1		417 1007 420 432 040
7	Oil Seal.....	1		405 4006 420 430 230
8	Ball Bearing W/Groove Ring.....	1		417 1104 420 832 145
9	Shim 0.2 mm.....	AR		417 1113 420 944 460 402 1019

GEAR BOX ELITE

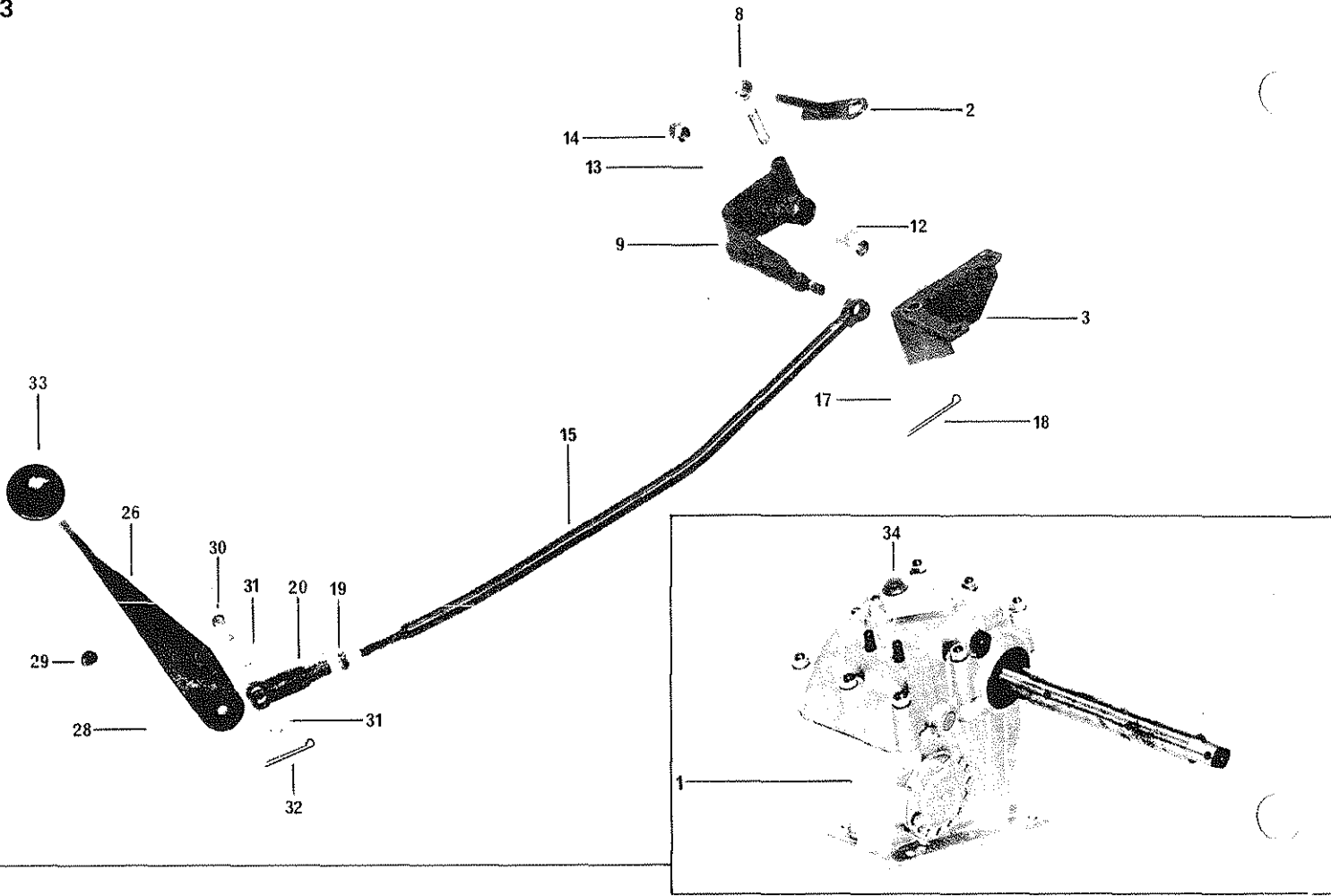
1974

ITEM NO.	DESCRIPTION	QTY	PART NO.		
					1974
9	Shim 0.3 mm.....	AR			420 944 461
	Shim 0.5 mm.....	AR			402 1016 420 944 462
	Shim 0.4 mm.....	AR			402 1017 420 944 463
	Shim 0.8 mm.....	AR			402 1020 420 944 464
	Shim 0.15 mm.....	AR			402 1021 420 944 465
10	Washer 20.5.....	1			402 1022 420 827 110
					417 1080
11	N Needle Cage.....	1			420 432 100
12	N Shift Sprocket 22 th.....	1			420 434 130
13	N Washer 30.2.....	2			420 427 106
14	N Gear Shift Sleeve.....	1			420 457 170
15	N Distance Sleeve.....	1			420 447 050
16	Needle Cage.....	1			420 432 070
					417 1062
17	N Shift Sprocket 17 th.....	1			420 436 160
18	Washer 1 x 25.5.....	1			420 944 478
					417 1085
19	Distance Ring 3 mm.....	1			420 427 160
					417 1101
20	Circlip.....	1			420 945 810
					417 1014
21	N Drive Shaft.....	1			420 437 260
22	Layshaft Gear Ass'y.....	1			420 434 125
					417 1105
23	Needle Cage.....	2			420 432 030
					417 1016
24	Distance Ring 2.9 mm.....	1			420 427 170
					417 1102
25	Shim 1.0 mm.....	2			420 246 152
					402 6016
26	Shim 0.3 mm.....	AR			420 246 150
	Shim 0.5 mm.....	AR			417 1035 420 246 151
	Shim 1.0 mm.....	AR			417 1036 420 246 152
	Shim 0.15 mm.....	AR			402 6016 420 246 153
					417 1037
27	Distance Ring 5.2 mm.....	1			420 427 175
					417 1103
28	Lay Axle.....	1			420 437 180
					417 1018
29	Dowel Tube 5 x 8.....	1			420 929 380
					417 1019
30	Circlip.....	1			420 945 720
					417 1052
31	Washer 32.2.....	2			420 427 110
					417 1044
32	Needle Cage.....	1			420 432 080
					417 1063

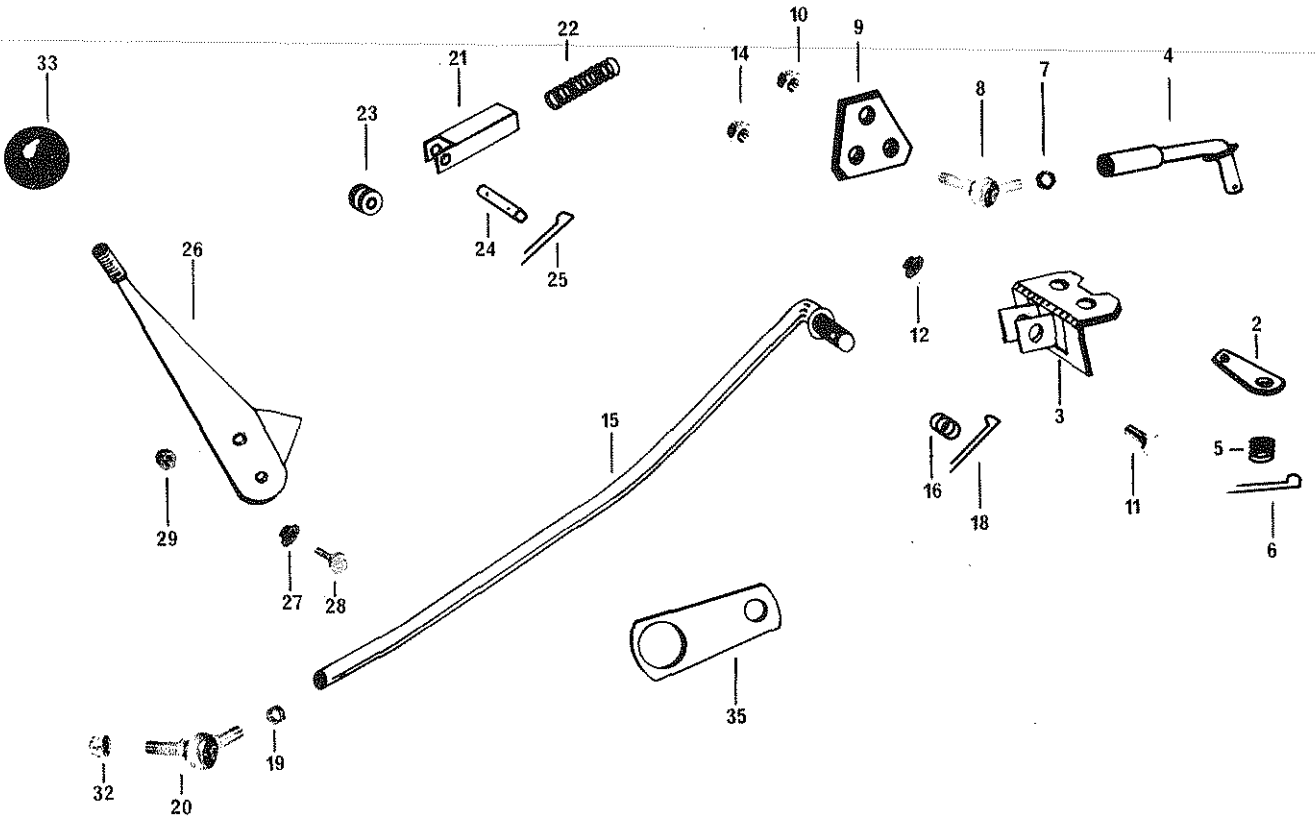
ITEM NO.	DESCRIPTION	QTY	PART NO.	
				1974
33	Tensioner Sprocket 18 th.....	1		420 436 130 417 1068
34	"O" Ring.....	1		420 430 170 417 1045
35	Tensioner Axle Ass'y.....	1		420 437 255 417 1108
36	Lock Washer 6.....	1		420 945 751 402 0015
37	Hex. Screw M6 x 14.....	1		420 240 911 402 5012
38	Gear Change Fork.....	1		420 457 105 417 1111
39	N Index Rod.....	1		420 457 160
40	"O" Ring.....	1		420 430 200 417 1026
41	Index Spring.....	1		420 438 040 417 1027
42	Ball ¼ ".....	1		420 232 410 417 1028
43	N Gear Change Shaft Ass'y.....	1		420 457 117
44	Shim 0.3 mm.....	AR		420 944 850 417 1030
	Shim 0.5 mm.....	AR		420 944 851 417 1031
	N Shim 1.0 mm.....	AR		420 944 853
45	Hex. Nut M10.....	1		420 242 091 265 6001
46	N Gear Change Lever.....	1		420 448 085 417 1118
47	Washer 8.4.....	1		420 250 311 402 0031
48	Lock Nut M8.....	1		420 942 030 402 2106
49	Lock Washer 8.....	8		420 945 752 402 0016
50	Hex. Nut M8.....	8		420 242 201 402 0018
51	Sealing Ring.....	2		420 950 141 402 0019
52	Lock Washer 8.....	2		420 945 752 402 0016
53	N Hex. Screw M8 x 16.....	2		420 940 581
54	N Triplex Roller Chain, 192 Links.....	1		420 499 028

GEAR BOX MECHANISM (ELITE)

1973



1974

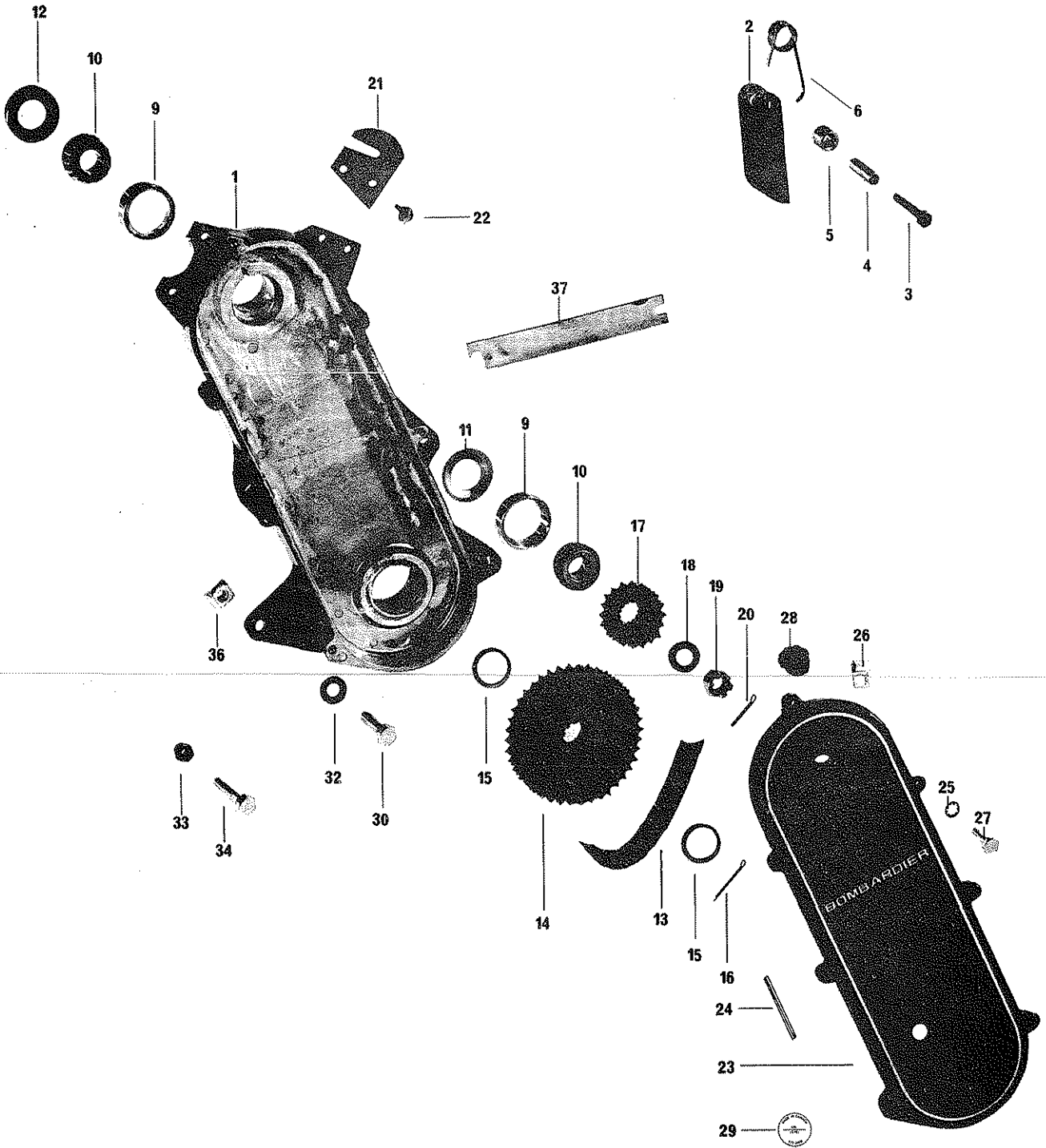


GEAR BOX MECHANISM (ELITE)

1974

ITEM NO.	DESCRIPTION	QTY	PART. NO.	
			1974	1973
1	N Gear Box (See Pages 24-25-26)			
2	Shifter Lever	1	417 1118	504 0276
3	N Shifter Bracket	1	504 0280	504 0263
4	N Tie Rod	1	504 0278	
5	Spring	1	414 0364	
6	Cotter Pin	1	371 8002	
7	Jam Nut	1	389 8015	
8	Ball Joint	1	414 1257	560 6008
9	N Shifter Plate	1	504 0279	504 0262
10	Nut	1	386 6024	
11	Screw	1	300 1003	
12	Bushing	1	507 0067	504 0264
13	Washer	2		399 9068
14	Nut	1	386 6019	386 6026
15	N Shifter Rod	1	504 0283	504 0258
16	Spring	1	414 0364	
17	Washer	1		399 9027
18	Cotter Pin	1	371 8002	371 8002
19	Jam Nut	1	389 8015	380 7022
20	Ball Joint	1	414 1257	
20	Clevis	1		114 0062
21	N Plunger Tube	1	504 0292	
22	N Spring	1	414 2134	
23	N Bushing	1	504 0294	
24	N Pin	1	504 0293	
25	Cotter Pin	1	371 8012	
26	N Shifter	1	504 0287	504 0261
27	Bushing	1	507 0067	
28	Screw	1	300 1001	300 1046
29	Nut	1	386 6119	386 6022
30	Clevis	1		414 0910
31	Washer	2		399 9007
32	Nut	1	386 6024	
32	Cotter Pin	1		371 8002
33	Ball	1	414 1113	414 1113
34	Breather	1	572 0409	572 0409
35	N Bracket	1	504 0290	

CHAIN CASE (T'NT 400 - 640 - 775)
ONLY IN 1972

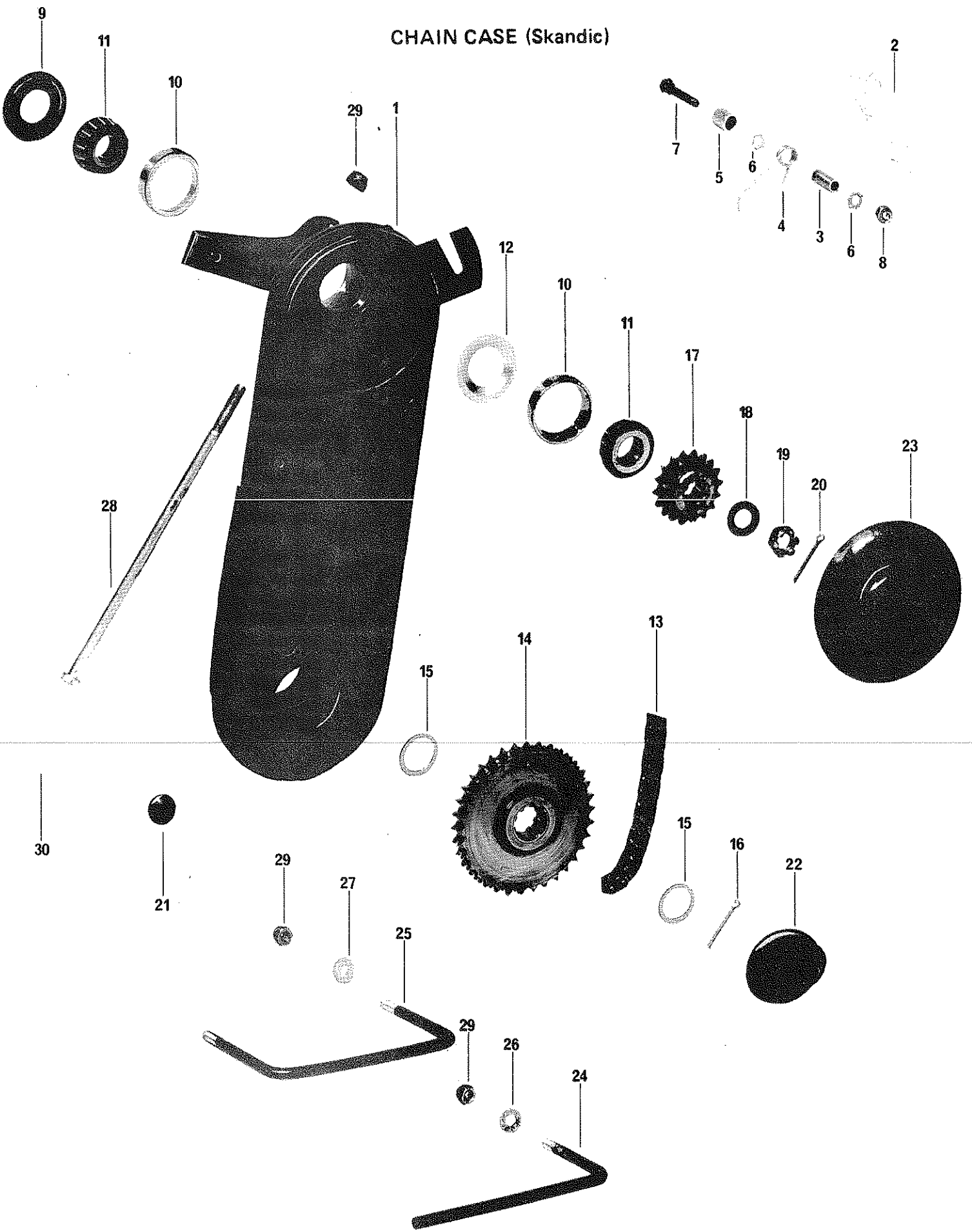


CHAIN CASE (T'NT 400 - 640 - 775)
ONLY IN 1972

1974















ITEM NO.	DESCRIPTION	QUANTITY			PART NO.	
		400	640	775	1972	
1	Chain Case	1			504 0191	
1	Chain Case		1	1	504 0192	
2	Upper Chain Tensioner	2	1	1	414 0985	
2	Lower Chain Tensioner		1	1	572 0402	
3	Upper Screw	2	1	1	300 4006	
3	Lower Screw		1	1	300 4005	
4	Upper Bushing	2	1	1	504 0181	
4	Lower Bushing		1	1	504 0104	
5	Spacer	2	2	2	504 0182	
6	Spring	2	2	2	560 4018	
9	Bearing Cup	2	2	2	405 0003	
10	Bearing Cone	2	2	2	405 0004	
11	Oil Retainer Ring	1	1	1	504 0058	
12	Oil Seal	1	1	1	406 3005	
13	Chain 3/8" Pitch Triple, 90 Roll Endless	1	1		412 1021	
13	Chain 3/8" Pitch Triple, 92 Roll Endless			1	412 1022	
14	Sprocket 35 T. Triple, 1" Shaft, 3/8" Pitch, 10 Splines	1	1	1	504 0193	
15	Spacer (Drive Axle)	1	1	1	504 0196	
15	Spacer	1	1	1	504 0039	
16	Cotter Pin	1	1	1	371 0013	
17	Sprocket 16 T. Triple, 1" Shaft, 3/8" Pitch, 15 Splines	1			504 0137	
17	Sprocket 17 T. Triple, 1" Shaft, 3/8" Pitch, 15 Splines	1			504 0138	
17	Sprocket 18 T. Triple, 1" Shaft, 3/8" Pitch, 15 Splines	1			504 0139	
17	Sprocket 19 T. Triple, 1" Shaft, 3/8" Pitch, 15 Splines	1			504 0140	
17	Sprocket 20 T. Triple, 1" Shaft, 3/8" Pitch, 15 Splines		1		504 0118	
17	Sprocket 22 T. Triple, 1" Shaft, 3/8" Pitch, 15 Splines			1	504 0120	
18	Shaft Washer	1	1	1	417 0009	
19	Nut	1	1	1	389 8024	
20	Cotter Pin	1	1	1	371 0032	
21	Bracket	1	1	1	504 0177	
22	Rivet	2	2	2	390 5016	
23	Chain Case Cover	1	1	1	504 0172	
24	"O" Ring	1	1	1	414 0930	
25	Washer	7	7	7	399 8010	
26	Clip		1	1	517 0391	
27	Screw	7	7	7	300 5003	
28	Breather	1	1	1	572 0406	
29	Chain Case Plug	1	1	1	570 0406	
30	Screw (2 1/4" L)	1			300 1048	
30	Screw (1 1/4" L)		1	1	300 1044	
30	Screw (2 1/2" L)	2			300 1050	
30	Screw (1 1/2" L)		2	2	300 1045	
	Chain Case Spacer	1			414 0946	
32	Washer	7	5	5	391 0023	
33	Nut	3	3	3	386 6022	
34	Screw (2 1/4" L)	1			309 8054	
34	Screw (1 1/4" L)		1	1	309 8052	
36	Clip Nut	1	1	1	389 8052	
37	Shim	AR	AR	AR	504 0179	

CHAIN CASE (Skandic)



ITEM NO.	DESCRIPTION	QUANTITY		PART NO.	
		337		1973	
1	Chain Case	1		504 0164	
2	Chain Tensioner	2		572 0405	
3	Bushing	2		504 0104	
4	Spring	2		414 1306	
5	Spacer	2		504 0182	
6	Washer	4		399 9061	
7	Screw	2		300 1006	
8	Nut	2		386 6019	
9	Oil Retainer Ring	1		504 0046	
10	Bearing Cup	2		405 0002	
11	Bearing Cone	2		405 0001	
12	Oil Seal	1		406 3004	
13	Driving Chain 3/8" Pitch Double 86 Roll, Endless	1		412 1013	
14	Sprocket 33 Th. Double, 1" Shaft, 3/8" Pitch 10 Splines	1		504 0130	
15	Spacer	2		504 0039	
16	Cotter Pin	1		371 0013	
17	Sprocket 12 Th. Double, 3/4" Shaft, 3/8" Pitch, 8 Splines	1		504 0102	
18	Shaft Washer	1		504 0015	
19	Nut	1		381 2028	
20	Cotter Pin	1		371 0011	
21	Chain Case Plug	1		570 0406	
22	Access Plug	1		570 0413	
23	Inspection Cover	1		570 0403	
24	Bracket	1		504 0087	
25	"U" Clamp	1		504 0042	
26	Washer	1		391 0023	
27	Washer	2		399 9007	
28	Special Screw	1		309 8030	
29	Nut	4		386 6022	
30	Shim	AR		504 0020	

CHAIN LINK

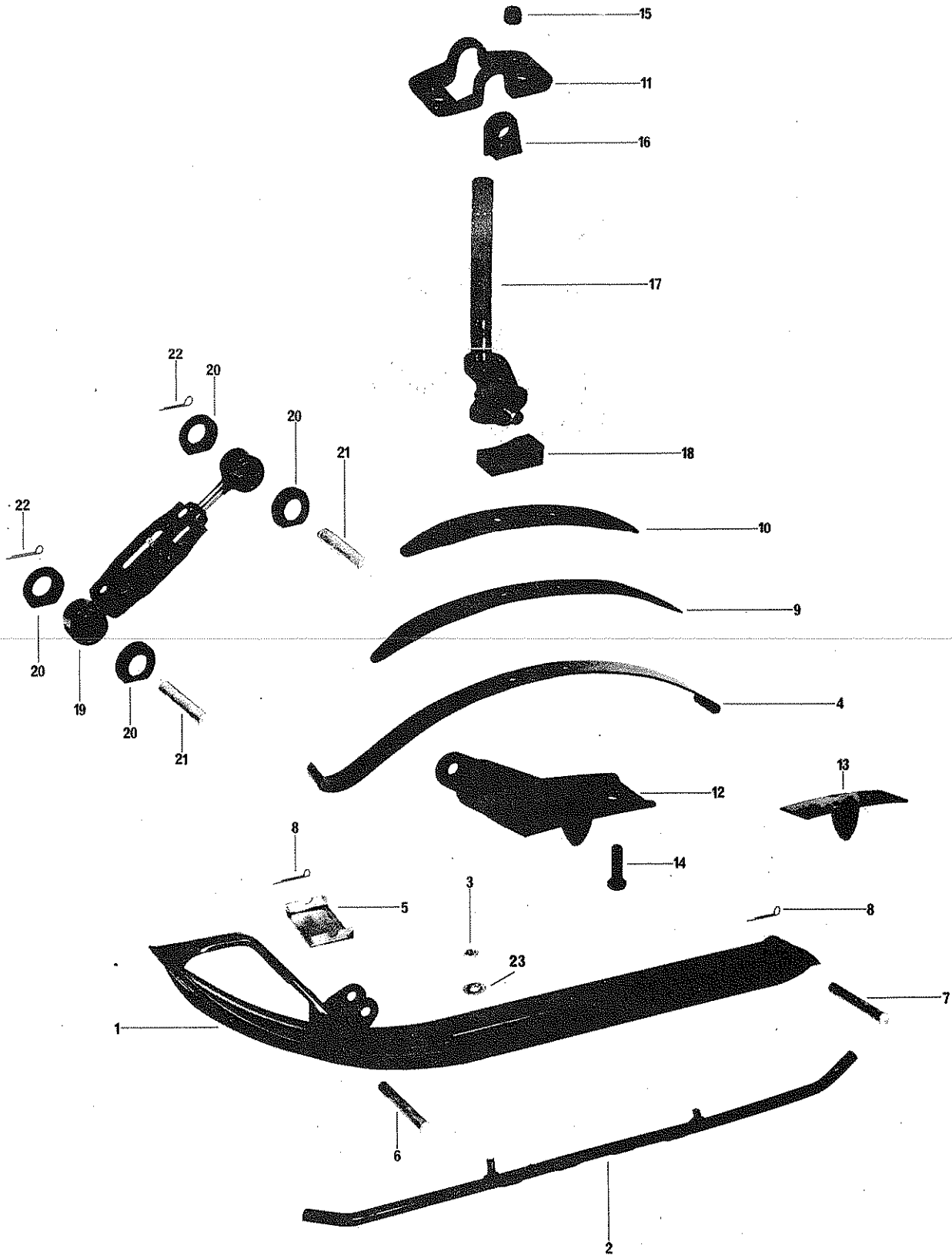
	Connecting Link Single	1/2" Pitch Single	412 6001
	Cranked Link Single	1/2" Pitch Single	412 6004
	Inner Link	1/2" Pitch Single	412 6010
	Inner Link	1/2" Pitch Single	412 6011
	Connecting Link Single	1/2" Pitch Double	412 6003
	Cranked Link Single	1/2" Pitch Double	412 6005
	Cranked Link Double	1/2" Pitch Double	412 6006
	Connecting Link Single	3/8" Pitch Double	412 6007
	Cranked Link Single	3/8" Pitch Double	412 6008
	Cranked Link Double	3/8" Pitch Double	412 6009
	Inner Link	3/8" Pitch Double	412 6012
	Connecting Link Single	3/8" Pitch Triple	412 6015
	Cranked Link Single	3/8" Pitch Triple	412 6016
	Cranked Link Double	3/8" Pitch Triple	412 6014

SECTION

SKI

Ski
Runner Shoe
Leaf Spring
Spring Coupler
Ski Leg

SKI (ELAN)

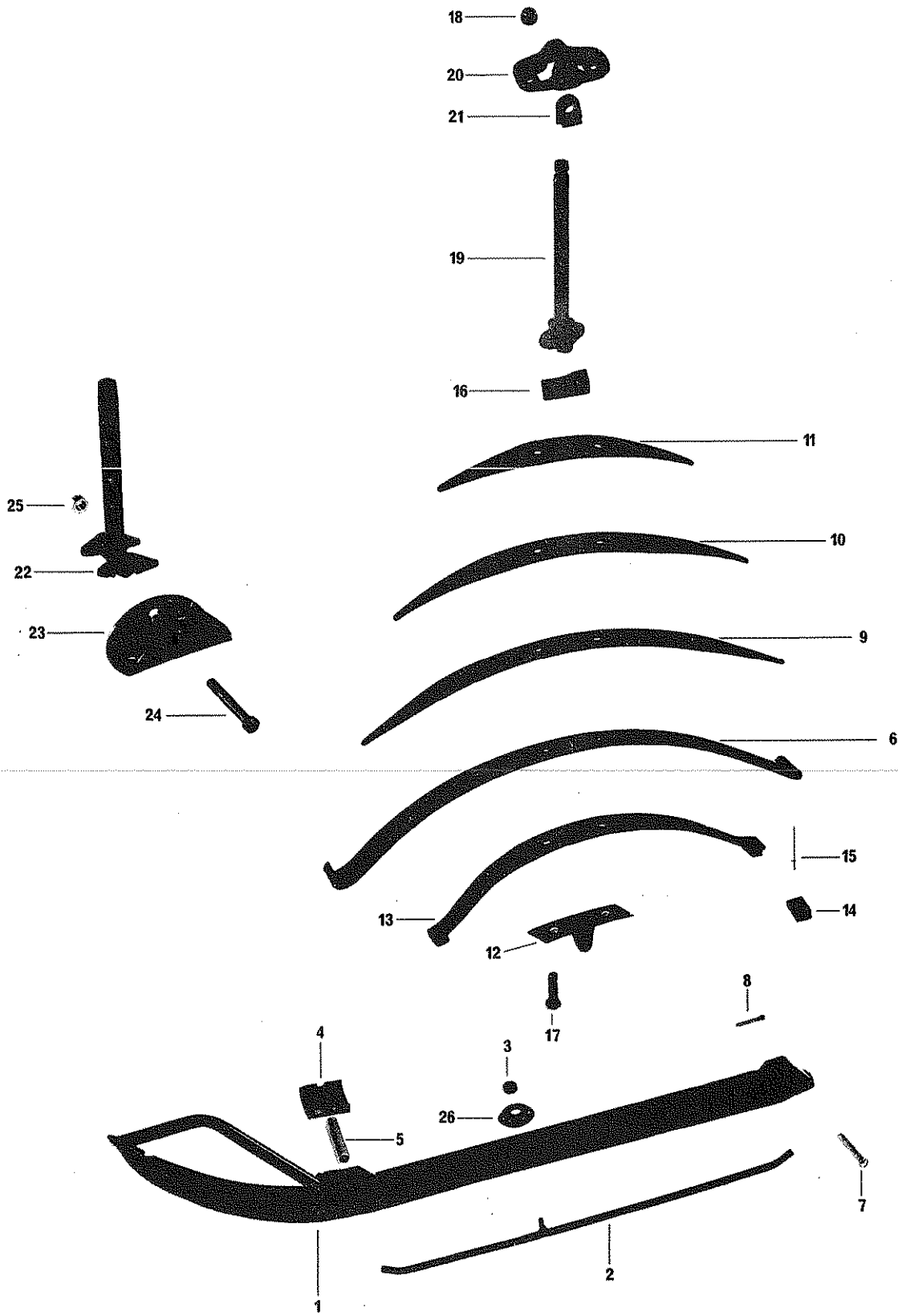


SKI (ELAN)
292 (1 Cyl.) in 1972 Only 294 (2 Cyl.) in 1974 Only

1974

ITEM NO.	DESCRIPTION	QUANTITY					PART NO.		
		247	248	249	292	294	1974	1973	1972
1	Ski	2	2		2		505 0109	505 0109	505 0070
1	N Ski			2		2	505 0159	505 0109	
2	Runner Shoe	2	2		2		505 0059	505 0059	505 0059
2	N Runner Shoe			2		2	560 5011	505 0059	
3	<input type="checkbox"/> Nut	2	2		2		387 5019	387 2019	387 2019
3	<input type="checkbox"/> N Nut			4		4	387 5022	387 2019	
4	Main Leaf Spring	2	2	2	2	2	505 0060	505 0060	505 0060
5	Spring Slider Cushion	2	2	2	2	2	505 0064	505 0064	505 0064
6	Retainer Pin	2	2	2	2	2	414 1436	414 0604	414 0604
7	Retainer Pin	2	2	2	2	2	414 1436	414 1436	414 0604
8	<input type="checkbox"/> Cotter Pin	4	4	4	4	4	371 8002	371 0011	371 0011
9	Auxiliary Leaf Spring		2				505 0152		
9	Auxiliary Leaf Spring			2		2	505 0152	505 0152	
10	Auxiliary Leaf Spring	2	2	2	2	2	505 0115	505 0115	505 0105
11	Spring Coupler	2	2	2	2	2	505 0114	505 0114	505 0037
12	N Shock Bracekt			2		2	570 0519	570 0502	
13	Rebound Leaf	2	2		2		570 0502	570 0502	570 0502
14	Screw	4			4		301 6084	301 6084	300 8084
14	Screw		4	4		4	309 8073	301 6084	300 8084
15	Nut	4	4	4	4	4	389 8073	389 8073	386 6024
16	Bushing	4	2	2		2	572 0501	572 0501	
16	Bushing		2	2		2	572 0501	572 2780	
	Screw	2			2				309 8035
	Nut	2			2				389 8036
17	N Ski Leg R.H.	1			1		506 0289	506 0213	506 0155
17	N Ski Leg L.H.	1			1		506 0290	506 0213	506 0154
17	N Ski Leg R.H.		1	1		1	506 0289	506 0241	
17	N Ski Leg L.H.		1	1		1	506 0290	506 0241	
18	<input type="checkbox"/> N Stabilizer	2	2				570 0518	570 0516	
18	<input type="checkbox"/> Stabilizer			2		2	570 0609	570 0516	
19	Shock			2		2	414 1478		
20	Spacer			8		8	572 0503		
21	N Retainer Pin			4		4	414 1476		
22	Cotter Pin			4		4	371 8002		
23	<input type="checkbox"/> Washer			4		4	391 9037		

SKI (OLYMPIQUE)

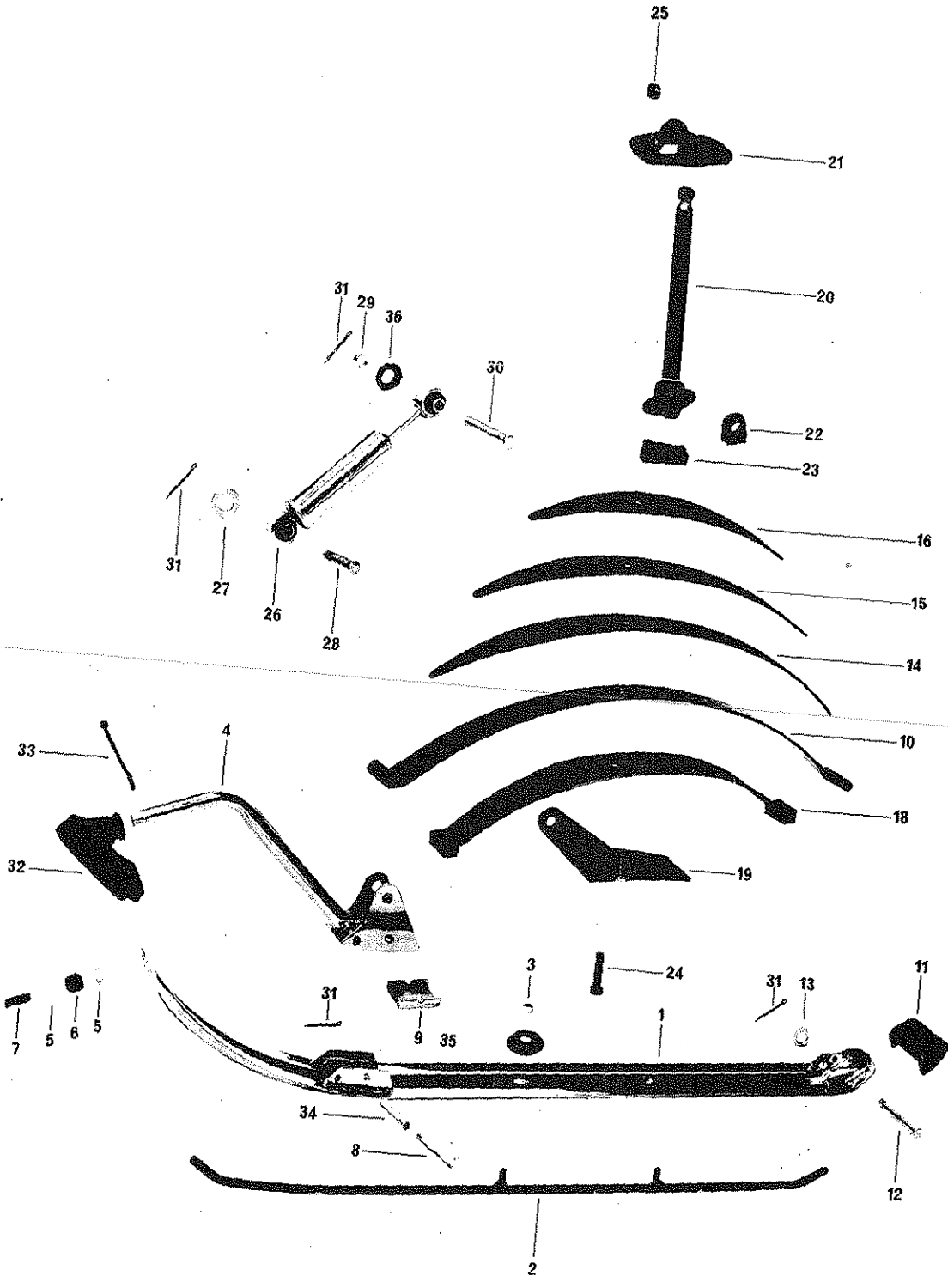


SKI (OLYMPIQUE)

1974

ITEM NO.	DESCRIPTION	QUANTITY					PART NO.		
		302	337	338	401	434	1974	1973	1972
1	Ski	2	2	2	2	2	505 0132	505 0132	505 0072
2	Runner Shoe	2	2	2	2	2	505 0131	505 0131	505 0046
3	□ N Nut	4	4	4	4	4	387 5022	387 2022	387 2022
4	Spring Slider Cushion	2	2	2	2	2	505 0033	505 0033	505 0033
5	Bushing	2	2	2	2	2	512 0121	512 0121	
6	Main Leaf Spring	2	2	2	2	2	505 0092	505 0092	505 0092
7	Retainer Pin	4	4	4	4	4	414 0665	414 0665	414 0665
8	Cotter Pin	4	4	4	4	4	371 0011	371 0011	371 0011
9	Auxiliary Leaf Spring	2	2	2	2	2	505 0118	505 0118	505 0096
10	Auxiliary Leaf Spring	2	2	2	2	2	505 0117	505 0117	505 0094
11	Auxiliary Leaf Spring	2	2	2	2	2	505 0115	505 0115	505 0105
12	Rebound Leaf	2	2				570 0502	570 0502	570 0502
13	Overload Leaf Spring			2	2	2	505 0082	505 0082	505 0082
14	Cushion			4	4	4	570 0506	570 0506	570 0506
15	Rivet			8	8	8	390 5012	390 5012	390 5012
16	Stabilizer			2	2	2	570 0609	570 0609	
17	Screw	4	4	4	4	4	309 8073	309 8073	300 8085
18	Nut	4	4	4	4	4	389 8073	389 8073	386 6024
19	Ski Leg L.H.			1	1	1	506 0217	506 0217	506 0125
19	Ski Leg R.H.			1	1	1	506 0216	506 0216	506 0124
20	Spring Coupler			2	2	2	505 0114	505 0114	505 0045
21	Bushing			4	4	4	572 0501	572 0501	
	Screw			2	2	2			309 8035
	Nut			2	2	2			389 8036
22	Ski Leg R.H.	1	1				506 0124	506 0124	506 0124
22	Ski Leg L.H.	1	1				506 0125	506 0125	506 0125
23	Spring Coupler	2	2				505 0045	505 0045	505 0045
24	Screw	2	2				309 8035	309 8035	309 8035
25	Nut	2	2				386 6024	386 6024	386 8036
26	Cup	4	4	4	4	4	512 0139	512 0139	

SKI (NORDIC)

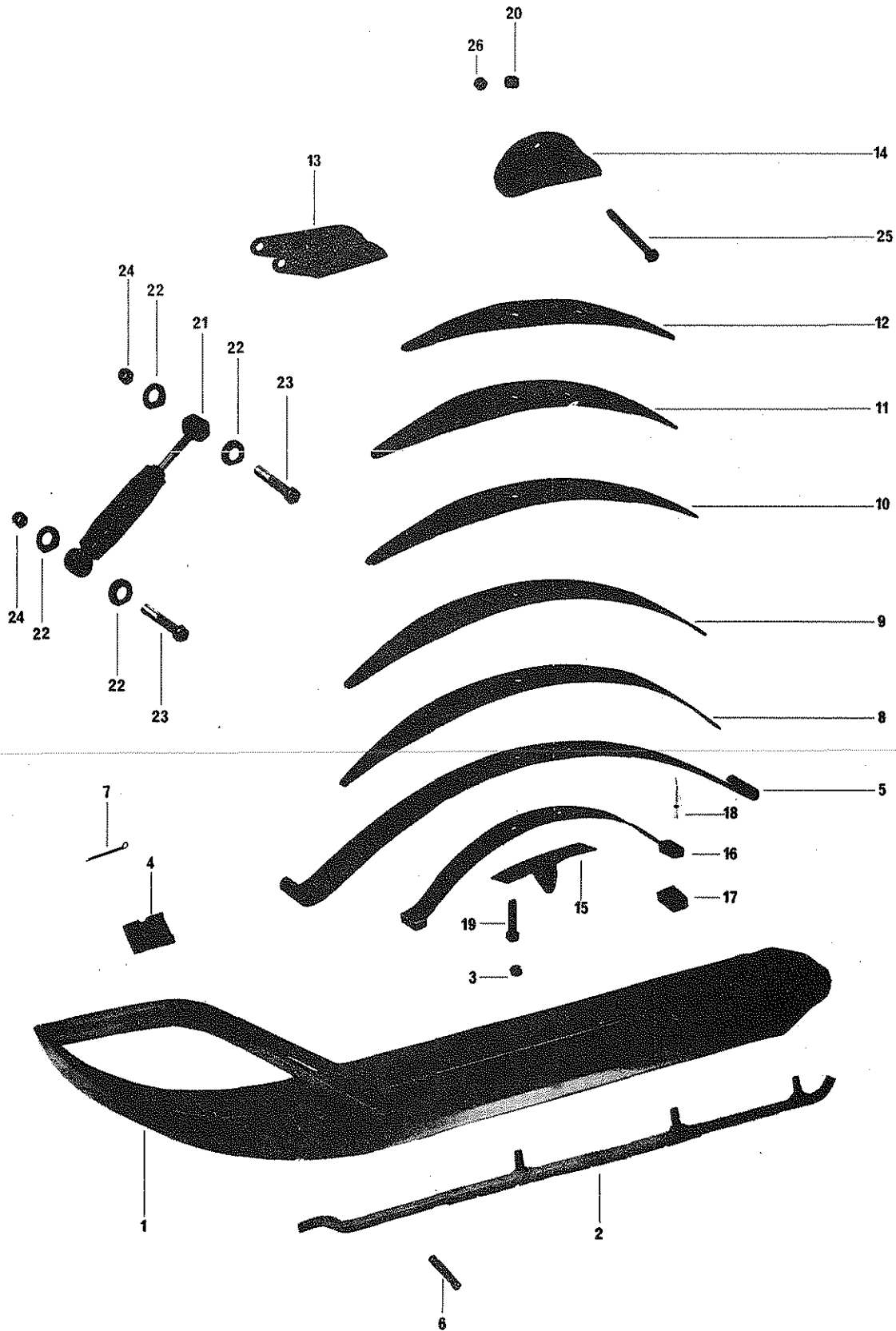


**SKI (NORDIC)
434 in 1972 Only**

1974

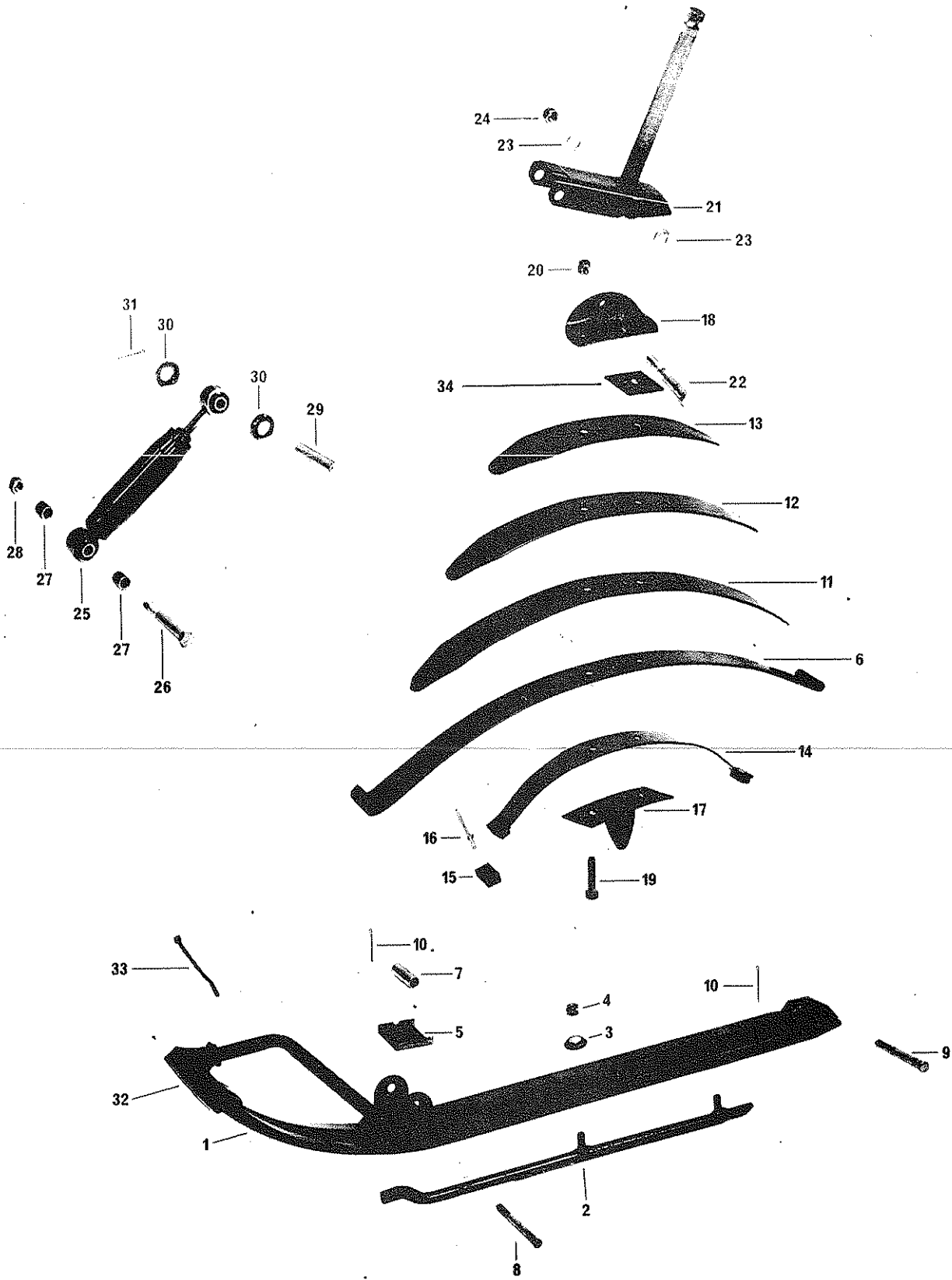
ITEM NO.	DESCRIPTION	QUANTITY		PART NO.		
		434	640	1974	1973	1972
1	Ski		2	505 0139	505 0139	505 0089
1	Ski	2				505 0072
2	Runner Shoe		2	505 0140	505 0140	505 0088
2	Runner Shoe	2				505 0046
3	Nut	2	4	387 2022	387 2022	387 2022
4	Retainer Bracket		2	505 0138	505 0138	
5	Cup		4	512 0122	512 0122	
6	Rubber Absorber		2	570 0514	570 0514	
7	Screw		2	300 5083	300 5083	
8	Retainer Pin		4	414 1468	414 1468	
9	Spring Slider Cushion	2	2	505 0033	505 0033	505 0033
10	Main Leaf Spring	2	2	505 0092	505 0092	505 0092
11	Rear Cap Protector		2	570 0512	570 0512	
12	Retainer Pin	2	2	414 1469	414 1469	414 0665
13	Washer		4	399 9007	399 9007	
14	Auxiliary Spring	2	2	505 0118	505 0118	505 0096
15	Auxiliary Spring	2	2	505 0117	505 0117	505 0094
16	Auxiliary Spring	2	2	505 0115	505 0115	505 0105
18	Overload Leaf Spring	2	2	505 0082	505 0082	505 0073
	Cushion	4	4	570 0506	570 0506	570 0506
	Rivet	8	8	390 5012	390 5012	390 5012
19	Shock Bracket		2	570 0513	570 0513	
20	Ski Leg R.H.	1	1	506 0215	506 0215	560 6005
20	Ski Leg L.H.	1	1	506 0215	506 0215	560 6005
21	Spring Coupler	2	2	505 0114	505 0114	505 0086
22	Bushing	4	4	572 0501	572 0501	572 0501
23	Stabilizer		2	570 0608	570 0608	570 0608
	Stabilizer	2				570 0609
24	Screw	4	4	309 8073	309 8073	300 8085
25	Nut	6	4	389 8073	389 8073	386 6024
26	Shock		2	414 1477	414 1477	
27	Spacer		4	505 0137	505 0137	
28	Retainer Pin		2	414 1471	414 1471	
29	Spacer		4	505 0157	505 0157	
30	Retainer Pin		2	414 1470	414 1470	
31	Cotter Pin	4	10	371 8002	371 8002	371 8002
32	Ski Tip	2	2	570 0515	570 0515	570 0507
33	Tie Rap	2	2	414 1152	414 1152	414 1152
34	Bushing		2	512 0121	512 0121	
35	Cup		4	512 0139	512 0139	
36 <input type="checkbox"/>	Bushing		4		572 0503	
36 <input type="checkbox"/>	Washer		4	399 9069		

SKI (VALMONT - ALPINE)



ITEM NO.	DESCRIPTION	QUANTITY				PART. NO.		
		294	343	440	EVT	1974	1973	1972
1	Ski	2	2	2	2	505 0144	505 0119	505 0072
2	<input type="checkbox"/> N Runner Shoe	2				505 0161	414 1431	505 0046
2	<input type="checkbox"/> N Runner Shoe		2	2	2	414 1964	414 1431	506 0046
3	Cup	4	4	4	4	505 0158		
4	Nut	4	4	4	4	387 5024	487 2024	387 2022
5	Spring Slider Cushion	2	2	2	2	505 0033	505 0033	505 0033
6	Main Leaf Spring	2	2	2	2	505 0092	505 0092	505 0092
7	Bushing	2	2	2	2	512 0121	512 0121	
8	Retainer Pin		2	2	2	414 1469	414 0665	414 0665
9	Retainer Pin	4	2	2	2	414 0665	414 0665	414 0665
10	Cotter Pin	4	4	4	4	371 0011	372 0011	371 0011
11	Auxiliary Leaf Spring	2	2	2	2	505 0118	505 0118	505 0096
12	<input type="checkbox"/> Auxiliary Leaf Spring	2	2	2	2	505 0117	505 0117	505 0094
13	Auxiliary Leaf Spring	2	2	2	2	505 0115	505 0115	505 0105
14	Overload Leaf Spring	2	2	2				505 0082
15	Cushion	4	4	4				570 0506
16	Rivet	8	8	8				390 5012
17	Rebound Leaf	2	2	2	2	570 0502	570 0502	
18	N Spring Coupler	2	2	2	2	505 0155	505 0045	505 0045
	Tab Lock	4	4	4			517 0511	517 0511
19	Screw	4	4	4	4	309 8073	309 8073	309 8085
20	Nut	4	4	4	4	389 8073	389 8073	386 6024
21	N Ski Leg R.H.	1	1	1	1	506 0284	506 0221	506 0124
21	N Ski Leg L.H.	1	1	1	1	506 0284	506 0222	506 0125
22	Screw	2	2	2	2	300 8133	309 8035	309 8035
23	N Spacer		4	4	4	512 0196		
24	<input type="checkbox"/> Nut	2	2	2	2	386 6026	389 8036	389 8036
25	Shock	2	2	2	2	414 1545	414 1341	
26	<input type="checkbox"/> N Screw		2	2	2	302 1133		
	Retainer Pin	2	2	2			414 1471	
27	N Spacer	4	4	4	4	570 0522	505 0137	
28	<input type="checkbox"/> N Nut		2	2	2	386 9007		
	Cotter Pin	2	2	2			371 0011	
29	Retainer Pin	2	2	2	2	414 1476	414 1476	
30	Bushing	4	4	4			572 0503	
31	Cotter Pin	2	2	2	2	371 8002	371 0011	
32	Ski Tip	2	2	2	2	570 0511	570 0511	
33	Tie Rap	2	2	2	2	414 1152	414 1152	

SKI (T'NT F.A.)

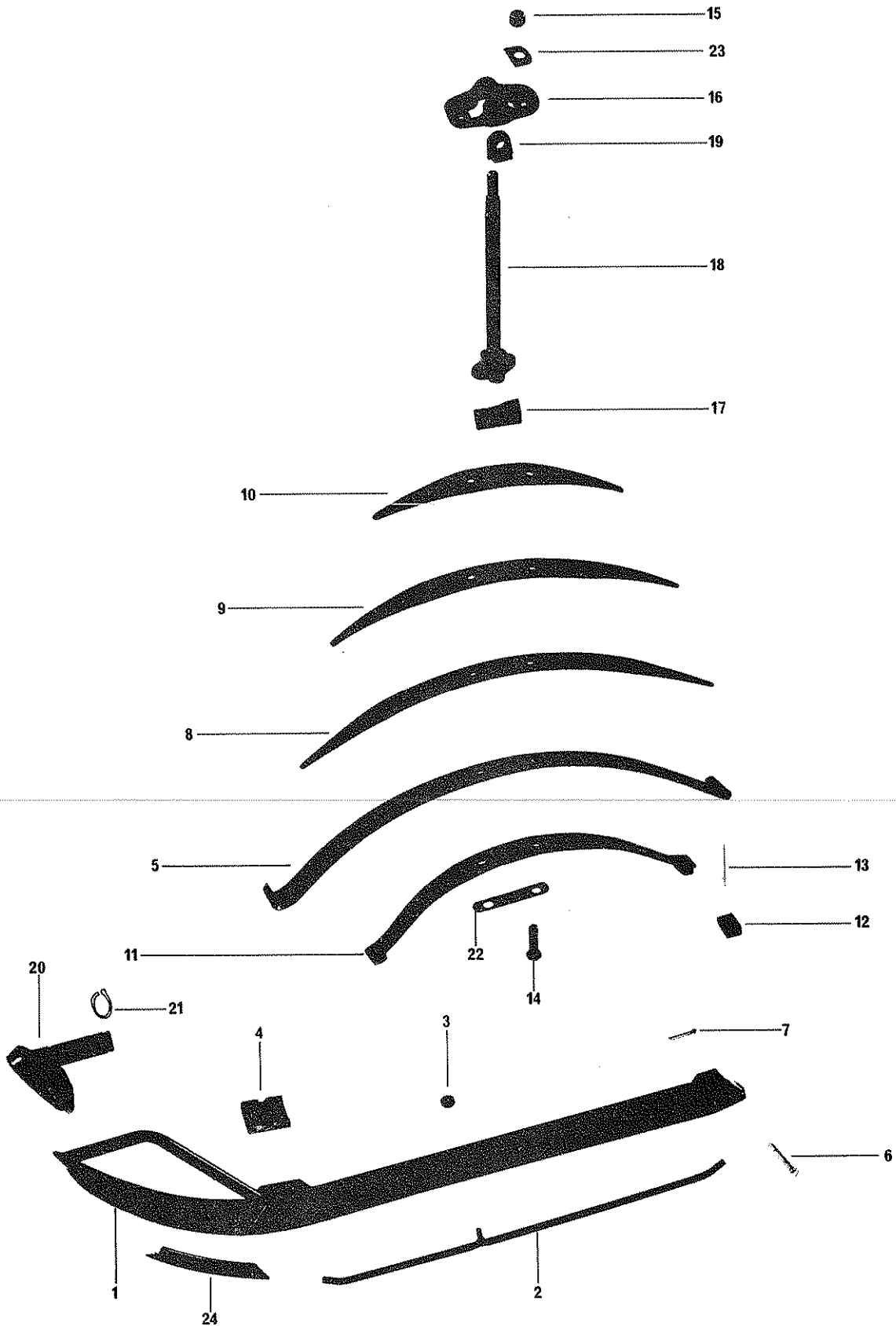


SKI (T'NT F.A.)
in 72, 398 (T'NT 400 F.A.) only

1974

ITEM NO.	DESCRIPTION	QUANTITY				PART NO.		
		346	396	398	436	1974	1973	1972
1	Ski	2	2	2	2	505 0144	505 0144	505 0108
	Stripe (Mult. 12")			AR				414 1187
2	N Runner Shoe	2	2	2	2	414 1964	560 5010	560 5006
3	Cup	4	4		4	505 0158	505 0158	
4	Nut	4	4	6	4	387 5024	387 2024	387 2024
5	Spring Slider Cushion	2	2	2	2	505 0033	505 0033	505 0033
6	Main Leaf Spring	2	2	2	2	505 0092	505 0092	505 0092
7	Bushing	2	2		2	512 0121		
8	Retainer Pin	2	2	2	2	414 1469		414 0665
	Screw	2	2				301 7053	
9	Retainer Pin	2	2	2	2	414 0665		414 0665
	Screw	2	2				301 7051	
10	Cotter Pin	4	4	4	4	371 8002		371 0011
	Nut	4	4				386 6022	
11	Auxiliary Leaf Spring	2	2	2	2	505 0118	505 0118	505 0096
12	Auxiliary Leaf Spring			2				505 0094
13	Auxiliary Leaf Spring	2	2	2	2	505 0115	505 0115	505 0105
14	Overload Leaf Spring	2	2		2	505 0082		
15	Cushion	4	4		4	570 0506		
16	Rivet	8	8		8	390 5012		
17	Rebound Leaf	2	2	2	2	570 0502	570 0508	570 0502
18	N Spring Coupler	2	2	2	2	505 0155	505 0102	505 0045
	Plate	2	2				505 0170	
19	Screw	4	4	4	4	309 8073	301 6084	300 8085
	Tab Lock			2				517 0484
20	Nut	4	4	4	4	389 8073	389 8073	386 6024
21	N Ski Leg R.H.	1	1	1	1	506 0312	580 0724	506 0203
21	N Ski Leg L.H.	1	1	1	1	506 0312	580 0849	506 0204
22	Screw	2	2	2	2	300 8133	309 8066	309 8035
23	N Spacer	4	4		4	512 0196		
	Bushing	2	2				505 0142	
24	N Nut	2	2	2	2	386 9007	386 6024	389 8036
25	Shock	2	2	2	2	414 1545	414 1525	414 1190
26	N Screw	2	2	2	2	302 1133	301 7133	300 9130
27	N Spacer	4	4	4	4	505 0180		572 0503
28	N Nut	2	2	2	2	386 9007	386 6026	386 6026
29	Retainer Pin	2	2		2	414 1476		
	Screw	2	2	2			301 7131	300 9130
30	Bushing			4				572 0503
31	Cotter Pin	2	2		2	371 8002		
	Nut	2	2	2			386 6026	386 6026
32	Ski Tip	2	2	2	2	570 0511	570 0511	570 0507
33	Tie Rap	2	2	4	2	414 1152	414 1152	414 1152
34	N Spacer Plate	2	2		2	505 0160		

SKI (T'NT 640 - 775)



ITEM NO.	DESCRIPTION	QUANTITY		PART NO.		
		640	775	1972		
1	Ski	2	2	505 0099		
2	Runner Shoe	2	2	560 5006		
3	Nut	2	2	387 2024		
4	Spring Slider Cushion	2	2	505 0033		
5	Main Leaf Spring	2	2	505 0092		
6	Retainer Pin	4	4	414 0665		
7	Cotter Pin	4	4	371 0011		
8	Auxiliary Leaf Spring	2	2	505 0096		
9	Auxiliary Leaf Spring	2	2	505 0094		
10	Auxiliary Leaf Spring	2	2	505 0105		
11	Overload Leaf Spring	2	2	505 0082		
12	Cushion	4	4	570 0506		
13	Rivet	8	8	390 5012		
14	Screw	4	4	300 8085		
15	Nut	4	4	386 6024		
16	Spring Coupler	2	2	505 0086		
17	Stabilizer	2	2	570 0609		
18	Ski Leg R.H.	1	1	560 6005		
19	Bushing	4	4	572 0501		
20	Padding Handle	2	2	570 0507		
21	Tie Rap	4	4	414 1152		
22	Tab Lock	2	2	517 0484		
23	Tab Lock	4	4	517 0507		
24	Stripe (12 1/2"L)	2	2	414 1187		

SKI (Skandic)

16 —●

18 —

19 —

17 —

14 —

12 —

11 —

10 —

7 —

13 —

5 —

4 —

3 —

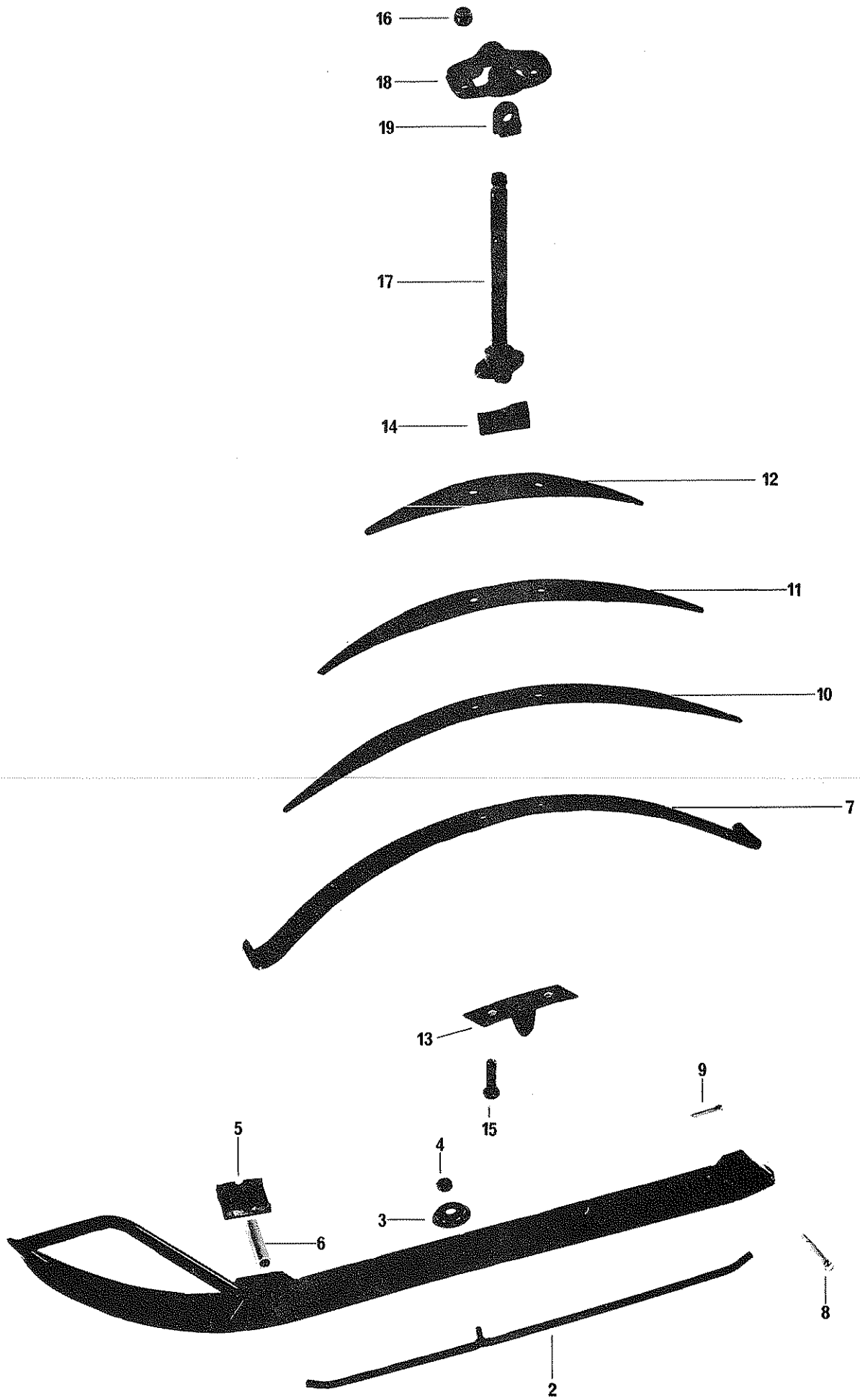
15 —

9 —

6 —

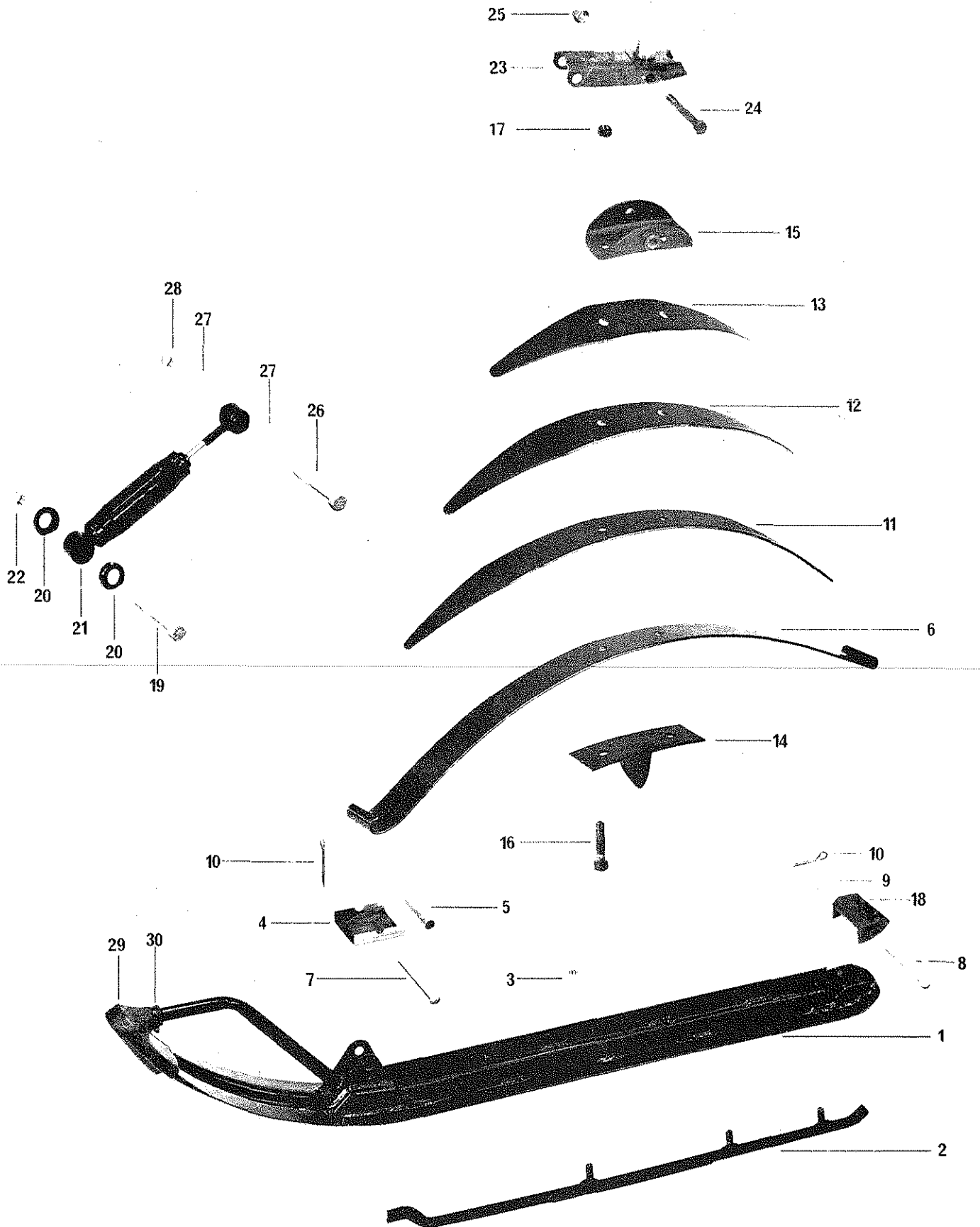
8 —

2 —



ITEM NO.	DESCRIPTION	QUANTITY		PART NO.	
		337		1973	
1	Ski	2		505 0132	
2	Runner Shoe	2		505 0131	
3	Cup	4		512 0139	
4	Nut	4		387 2022	
5	Spring Slider Cushion	2		505 0033	
6	Bushing	2		512 0121	
7	Main Leaf Spring	2		505 0092	
8	Retainer Pin	4		414 0665	
9	Cotter Pin	4		371 0011	
10	Auxiliary Leaf Spring	2		505 0118	
11	Auxiliary Leaf Spring	2		505 0117	
12	Auxiliary Leaf Spring	2		505 0115	
13	Rebound Leaf	2		570 0502	
14	Stabilizer	2		570 0609	
15	Screw	4		309 8073	
16	Nut	4		389 8073	
17	Ski Leg R.H.	1		506 0215	
17	Ski Leg L.H.	1		506 0215	
18	Spring Coupler	2		505 0114	
19	Bushing	4		572 0501	

SKI (ELITE)



ITEM NO.	DESCRIPTION	QTY	PART. NO.	
			1974	1973
1	N Ski	2	505 0179	505 0151
2	Runner Shoe	2	414 1431	414 1431
3	Nut	4	387 5024	387 2024
4	Spring Slider Cushion	2	505 0128	505 0033
5	Bushing	2		512 0121
6	Main Leaf Spring	2	505 0120	505 0092
7	Retainer Pin	2	414 1469	414 0665
8	Retainer Pin	2	414 1468	414 1469
9	Washer	4		399 9007
10	Cotter Pin	4	371 0011	371 0011
11	Auxiliary Leaf Spring	2	505 0121	505 0118
12	Auxiliary Leaf Spring	2	505 0123	505 0117
13	Auxiliary Leaf Spring	2	505 0124	505 0115
14	Rebound Leaf	2	570 0502	570 0502
15	Spring Coupler	2	505 0126	505 0126
16	Screw	4	309 8073	309 8073
17	Nut	4	389 8073	389 8073
18	Rear Cap Protector	2		570 0512
19	Screw	2	301 7129	301 7129
20	Spacer	4	505 0137	505 0137
21	Shock	2	414 1545	414 1545
22	Nut	2	386 6026	386 6026
23	Ski Leg	2	506 0282	506 0282
24	Screw	2	560 5009	560 5009
25	Nut	2	386 6026	386 6026
26	Screw	2	301 7129	301 7129
27	Washer	8	399 9068	399 9068
28	Nut	2	386 6026	386 6026
29	Ski Tip	2	570 0511	570 0511
30	Tie Rap	2	414 1152	414 1152

(

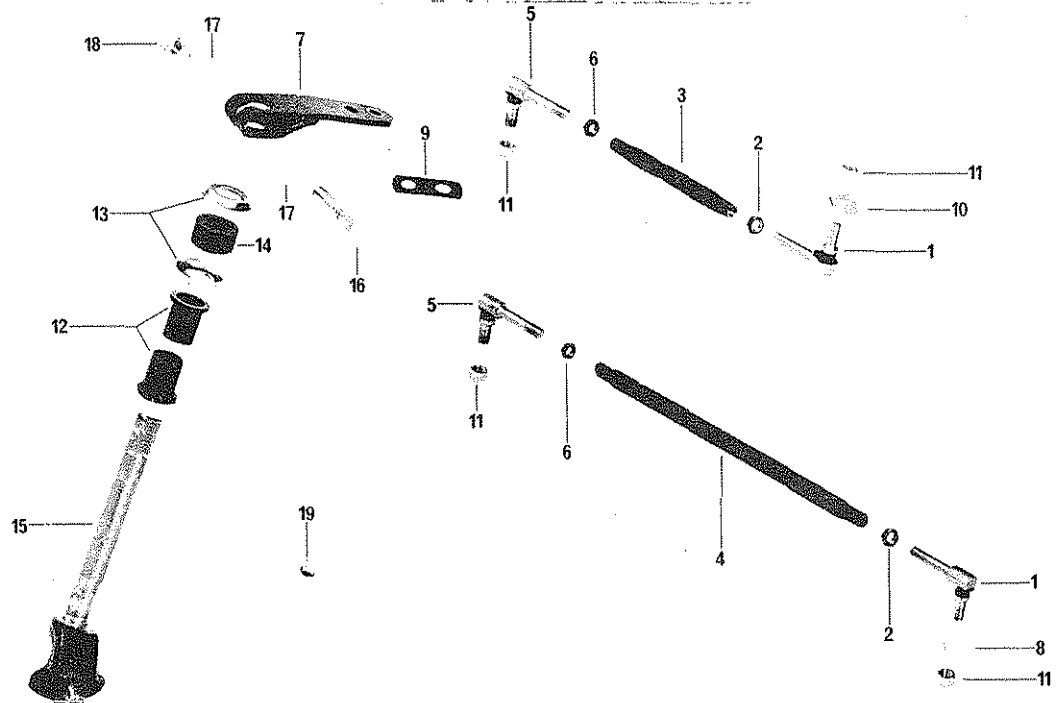
(

(

**SECTION
TIE ROD**

Tie Rod
Tie Rod End
Ball Joint
Steering Arm
Ski Leg

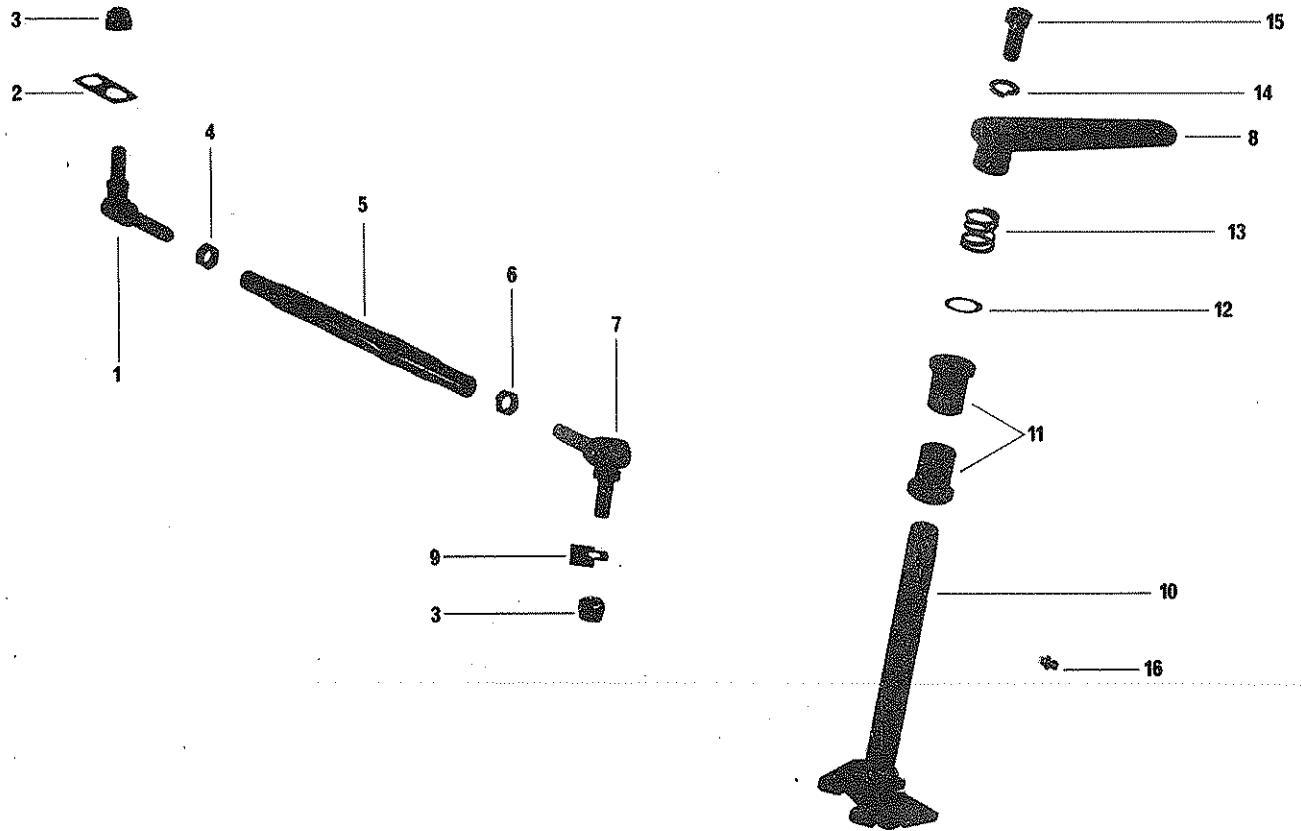
TIE ROD - SKI LEG (ELAN)
292 (1 Cyl.) in 1972 Only



ITEM NO.	DESCRIPTION	QUANTITY					PART NO.		
		247	248	249	292	294	1974	1973	1972
1	Tie Rod End R.H. Thread	2	2	2	2	2	414 1357	414 1357	506 0017
2	Jam Nut R.H.	2	2	2	2	2	389 8015	389 8015	389 8015
3	Upper Tie Rod	1	1	1	1	1	506 0247	506 0247	506 0043
4	Lower Tie Rod	1			1		506 0269	506 0022	506 0022
4	Lower Tie Rod		1	1		1	506 0269	506 0269	
5	Tie Rod End L.H. Thread	2	2	2		2	414 1358	414 1358	
	Tie Rod End L.H. Thread	1			1				506 0044
	Tie Rod End L.H. Thread (Long)	1			1				506 0018
	Tie Rod Swivel	1			1				506 0023
6	Jam Nut L.H.	2	2	2	2	2	389 8016	389 8016	389 8016
7	N Steering Arm	2	2	2	2	2	506 0288	506 0207	506 0121
8	Tab Lock	2	2	2		2	517 0606		
9	N Tab Lock	2	2	2		2	517 0699		
10	N Tab Lock	2	2	2		2	517 0700		
11	Nut	4	4	4		4	386 6024	386 6024	
	Spring	4			4				414 0364
	Washer	3			3				391 0025
	Cotter Pin	4			4				371 0031
12	N Lower Bushing	2	2				572 0620	572 0601	
12	N Lower Bushing			2		2	572 0502	572 0601	
12	N Upper Bushing	2	2				572 0601	572 0601	
12	N Upper Bushing			2		2	572 0619	572 0601	
13	Washer	4	4	4		4	506 0150	504 1009	
14	Rubber Spacer	2	2	2		2	570 0611		
	Spring	2	2	2	2			414 0127	414 0127
15	N Ski Leg R.H.	1			1		506 0289	506 0213	506 0155
15	N Ski Leg L.H.	1			1		506 0290	506 0213	506 0154
15	N Ski Leg R.H.		1	1		1	506 0289	506 0241	
15	N Ski Leg L.H.		1	1		1	506 0290	506 0241	
16	Screw	2	2	2	2	2	301 7087	300 8123	300 8123
17	Washer	4	4	4	2	4	399 9027	392 0026	392 0026
18	Nut	2	2	2		2	386 6024		
19	Grease Fitting	2	2	2	2	2	408 2001	408 2001	408 2001

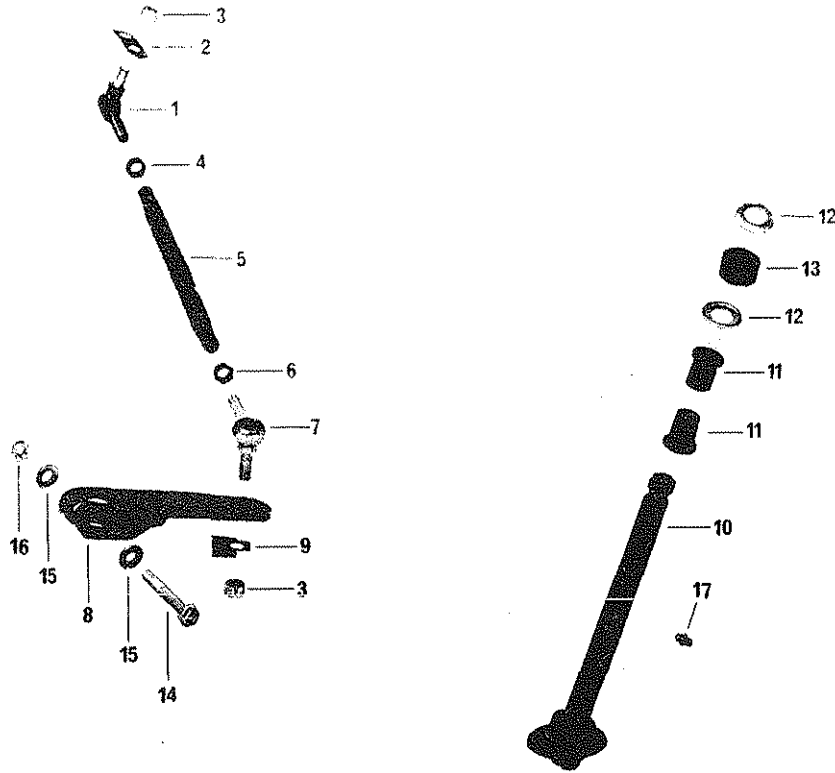
TIE ROD & SKI LEG (OLYMPIQUE 302 - 337)
In 1974, 302 Only

1974



ITEM NO.	DESCRIPTION	QUANTITY		PART NO.		
		302	337	1974	1973	1972
1	Ball Joint L.H. Thread	2	2	414 1258	414 1258	414 1033
2	Tab Lock	2	2	517 0584	517 0584	
3	Nut	4	4	386 6024	386 6024	389 8036
4	Jam Nut L.H.	2	2	386 8016	386 8016	386 8016
5	Tie Rod	2	2	506 0205	506 0205	506 0187
6	Jam Nut L.H.	2	2	389 8015	389 8015	389 8015
7	Ball Joint R.H. Thread	2	2	414 1257	414 1257	414 1034
8	Steering Arm	2	2	506 0158	506 0158	506 0140
9	Tab Lock	4	4	517 0606	517 0606	
10	Ski Leg R.H.	1	1	506 0124	506 0124	506 0124
10	Ski Leg L.H.	1	1	506 0125	506 0125	506 0125
11	Bushing (Lower)	2	2	572 0502	572 0502	
11	Bushing (Upper)	2	2	572 0601	572 0601	572 0601
12	Shim	2	2	504 1009	504 1009	504 1009
13	Spring	2	2	414 0127	414 0127	414 0127
14	Washer	2	2	392 0026	392 0026	392 0026
15	Screw	2	2	300 8123	300 8123	300 8123
16	Grease Fitting	2	2	408 2001	408 2001	408 2001

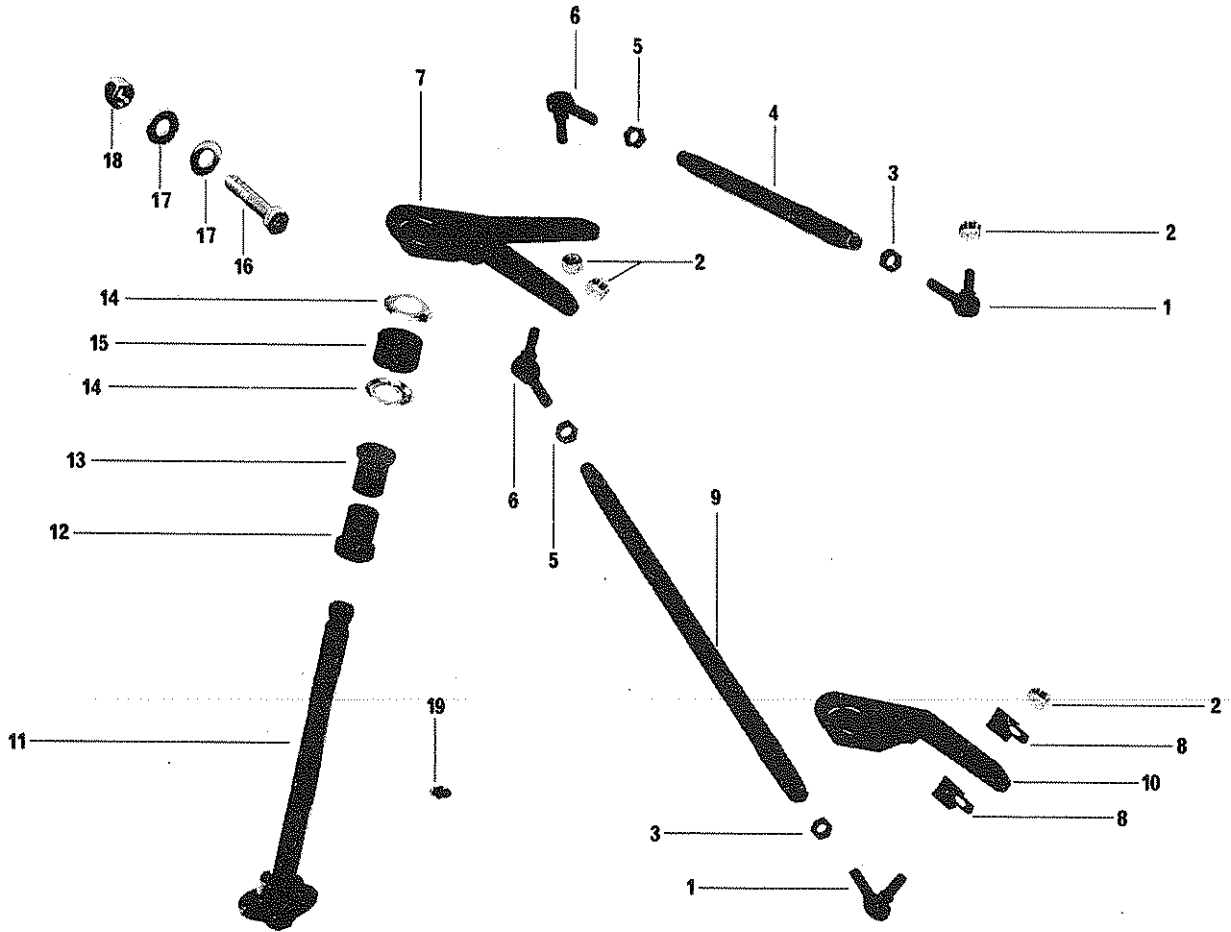
TIE ROD & SKI LEG (OLYMPIQUE)
In 1974, 338 - 401 Only



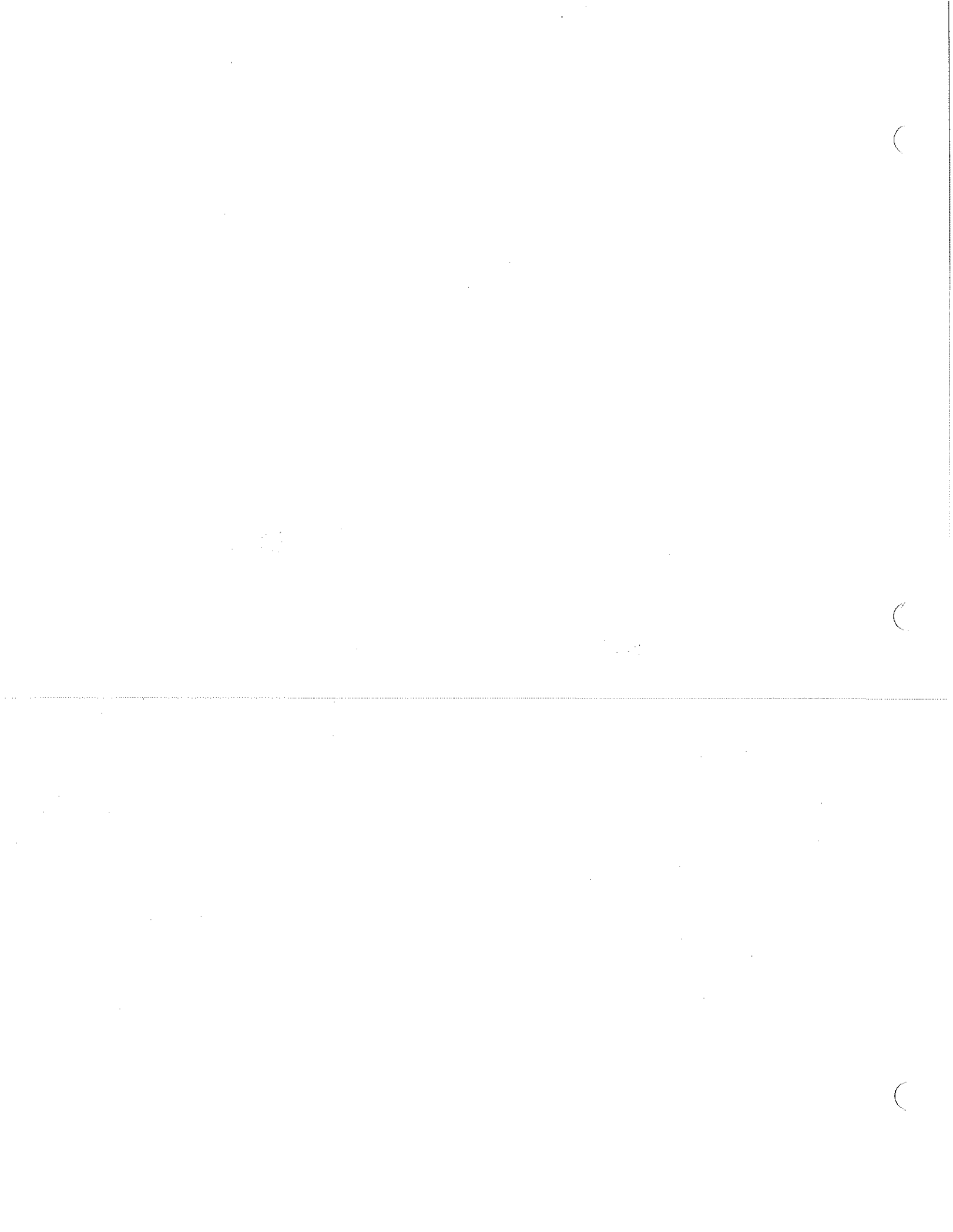
ITEM NO.	DESCRIPTION	QUANTITY			PART NO.		
		338	401	434	1974	1973	1972
1	Ball Joint L.H. Thread	2	2	2	414 1258	414 1258	414 1033
2	Tab Lock	2	2	2	517 0584	517 0584	
3	Nut	4	4	4	386 6024	386 6024	389 8036
4	Jam Nut L.H.	2	2	2	389 8016	389 8016	389 8016
5	Tie Rod	2	2	2	506 0205	506 0205	506 0187
6	Jam Nut R.H.	2	2	2	389 8015	389 8015	389 8015
7	Ball Joint R.H. Thread	2	2	2	414 1257	414 1257	414 1034
8	Steering Arm	2	2	2	414 1260	414 1260	506 0140
9	Tab Lock	4	4	4	517 0606	517 0606	
10	Ski Leg L.H.	1	1	1	506 0217	506 0217	506 0125
10	Ski Leg R.H.	1	1	1	506 0216	506 0216	506 0124
11	Bushing (Lower)	2	2	2	572 0502	572 0502	
11	Bushing (Upper)	2	2	2	572 0601	572 0601	572 0601
12	Washer	4	4	4	506 0150	506 0150	504 1009
13	Rubber Spacer	2	2	2	570 0611	570 0611	
	Spring		2				414 0127
14	Screw	2	2	2	301 7087	301 7087	300 8123
15	Washer	4	4	4	399 9027	399 9027	392 0026
16	Nut	2	2	2	386 6024	386 6024	
17	Grease Fitting	2	2	2	408 2001	408 2001	408 2001

TIE ROD & SKI LEG (NORDIC)
434 in 1972 Only

1974

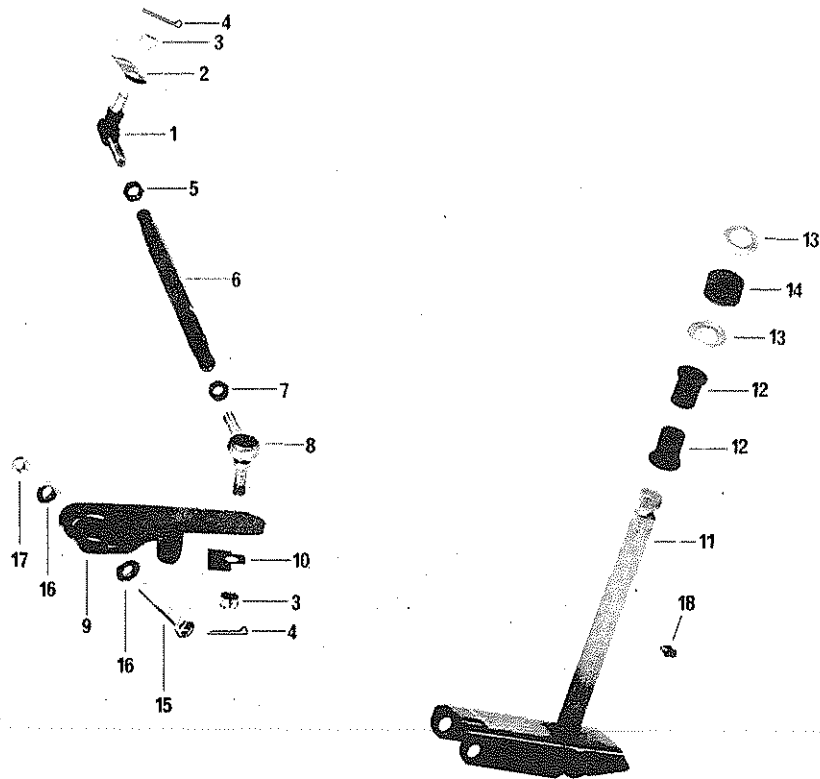


ITEM NO.	DESCRIPTION	QUANTITY		PART NO.		
		434	640	1974	1973	1972
1	Ball Joint L.H. Thread	2	2	414 1258	414 1258	414 1118
2	Nut	4	4	386 6024	386 6024	389 8036
3	Jam Nut L.H.	2	2	389 8016	389 8016	389 8016
4	Tie Rod	1	1	506 0172	506 0172	506 0172
5	Jam Nut R.H.	2	2	389 8015	389 8015	389 8015
6	Ball Joint	2	2	414 1257	414 1257	414 1117
7	Steering Arm R.H.	1	1	506 0236	506 0236	506 0174
8	Tab Lock	6	6	517 0606	517 0606	
9	Tie Rod	1	1	506 0171	506 0171	506 0171
10	Steering Arm L.H.	1	1	506 0232	506 0232	506 0173
11	Ski Leg R.H.	1	1	506 0215	506 0215	560 6005
11	Ski Leg L.H.	1	1	506 0215	506 0215	560 6005
12	Bushing	2	2	572 0502	572 0502	572.0502
13	Bushing	2	2	572 0601	572 0601	572 0601
14	Washer	4	4	506 0150	506 0150	506 0150
15	Spacer	2	2	570 0611	570 0611	570 0611
16	Screw		2	301 7087	301 7087	
17	Washer		4	399 9027	399 9027	
	Tab Lock	2	2			517 0521
18	Nut	2	2	386 6024	386 6024	386 6030
19	Grease Fitting	2	2	408 2001	408 2001	408 2001



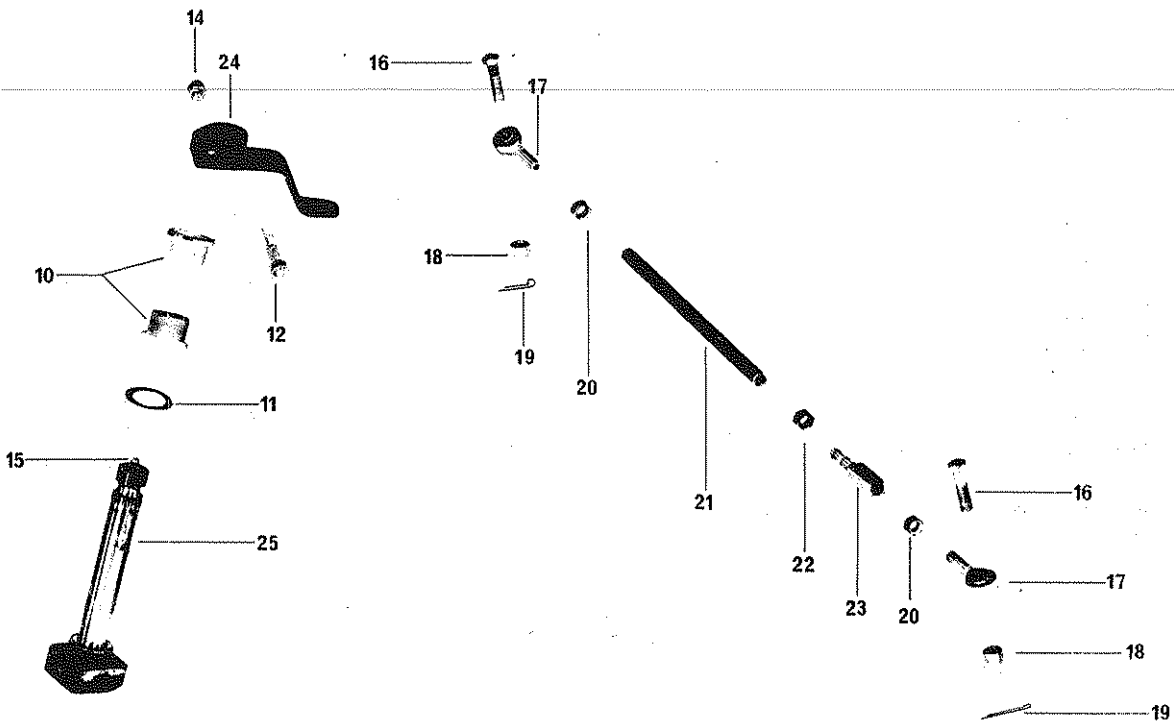
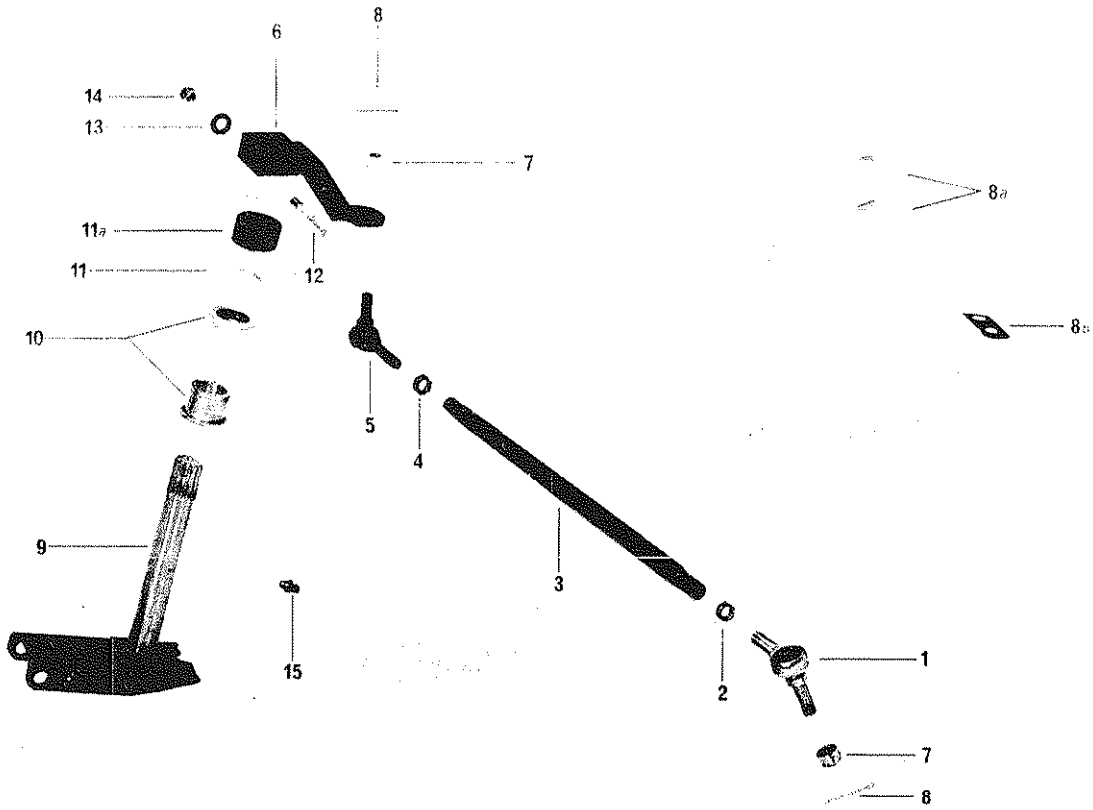
TIE ROD & SKI LEG (T'NT - EVEREST)

1974



ITEM NO.	DESCRIPTION	QUANTITY				PART NO.		
		294	343	440	EVT	1974	1973	1972
1	N Ball Joint L.H. Thread	2	2	2	2	414 1782	414 1258	414 1033
2	Tab Lock	1	1	1	1		517 0584	517 0485
3	N Nut	4	4	4	4	384 3024	386 6024	386 6024
4	Cotter Pin	4	4	4	4	371 8010		
5	Jam Nut L.H.	2	2	2	2	389 8016	389 8016	389 8016
6	N Tie Rod	2				506 0291	506 0205	506 0187
6	N Tie Rod		2	2	2	506 0291	506 0205	506 0205
7	Jam Nut R.H.	2	2	2	2	389 8015	389 8015	389 8015
8	N Ball Joint R.H. Thread	2	2	2	2	414 1781	414 1257	414 1159
9	N Steering Arm	2				506 0285	414 1405	506 0158
9	N Steering Arm		2	2	2	506 0285	414 1405	506 0158
10	Tab Lock	4	4	4	4		517 0606	517 0606
11	N Ski Leg R.H.	1	1	1	1	506 0284	506 0221	506 0124
11	N Ski Leg L.H.	1	1	1	1	506 0284	506 0222	506 0125
12	Bushing	4	4	4	4	572 0612	572 0601	572 0601
13	Shim	2	2	2	2	504 1082	506 0150	506 0150
14	Rubber Spacer	2	2	2	2		570 0611	570 0611
15	Screw	2	2	2	2	301 7087	301 7087	300 8123
16	Washer	4	4	4	4	399 9027	399 9027	
	Tab Lock	2	2	2	2			517 0481
17	Nut	2	2	2	2	386 6024	386 6024	
18	Grease Fitting	2	2	2	2	408 2001	408 2001	408 2001

TIE ROD - SKI LEG (T'NT F.A.)

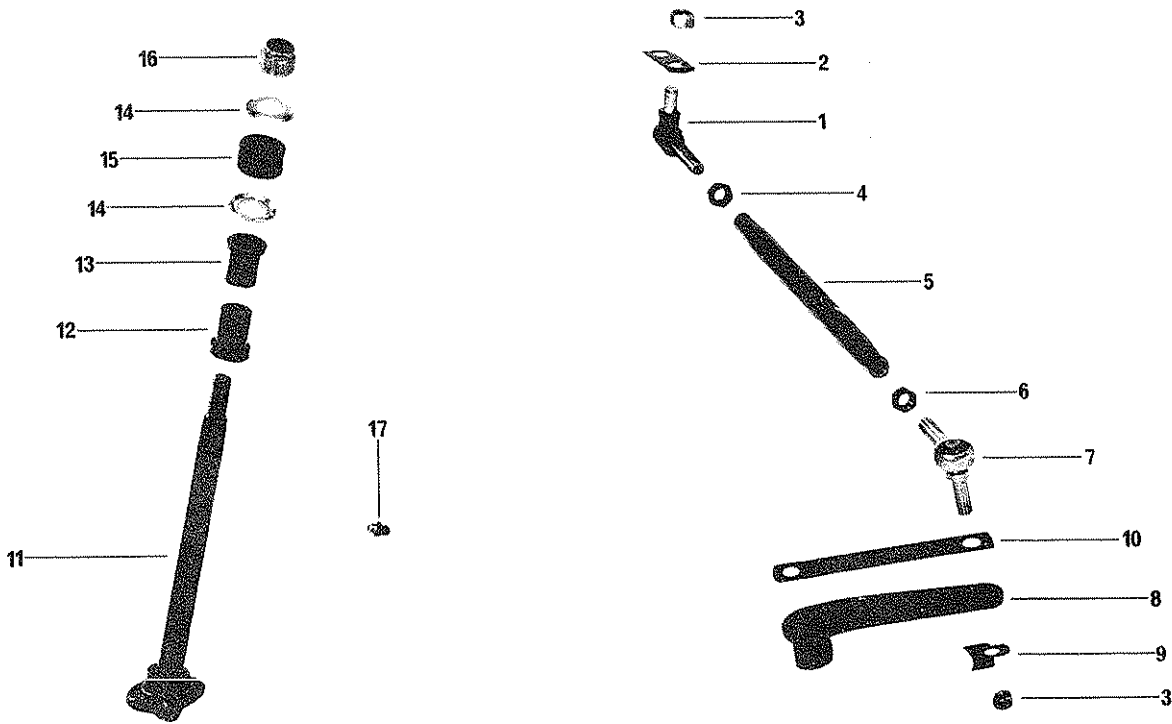


TIE ROD - SKI LEG (T'NT F.A.)
398 for T'NT 400 F.A. in 72 only

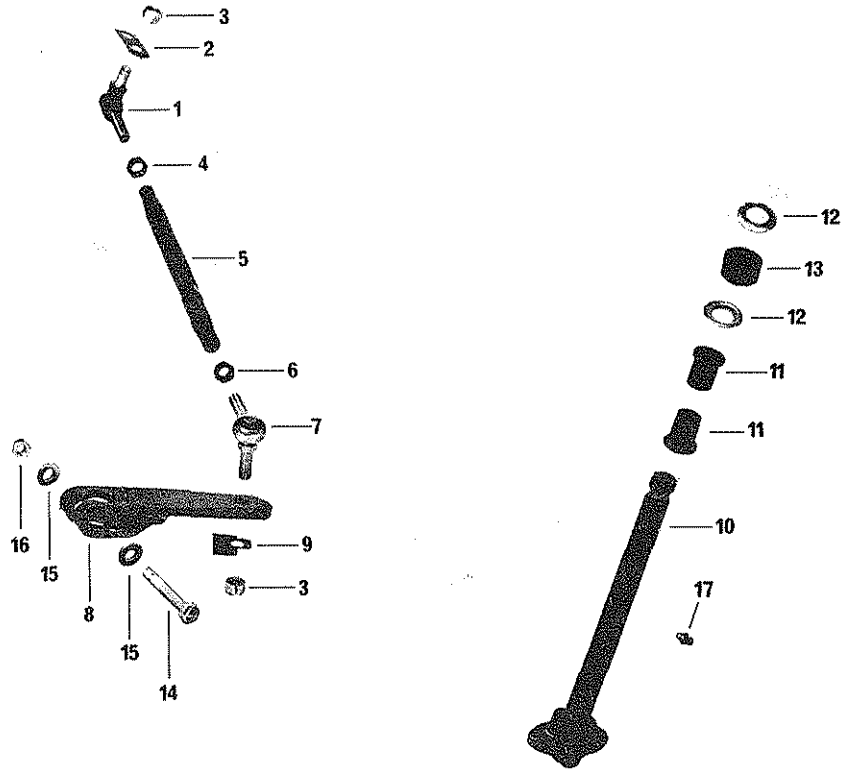
1974

ITEM NO.	DESCRIPTION	QUANTITY				PART NO.		
		346	396	398	436	1974	1973	1972
1	N Ball Joint L.H. Thread	2	2	2	2	414 1782		414 1208
2	Jam Nut L.H.	2	2	2	2	389 8016		389 8016
3	N Tie Rod	2	2	2	2	506 0310		506 0205
4	Jam Nut R.H.	2	2	2	2	389 8015		389 8015
5	N Ball Joint R.H. Thread	2	2	2	2	414 1781		414 1159
6	N Arm Plate	2	2	2	2	506 0311		414 1173
7□	N Nut	4	4	4	4	384 3024		389 8036
8	Cotter Pin	4	4	4	4	371 8010		
8a	Tab Lock			2				517 0550
8b	Tab Lock			4				517 0483
9	N Ski Leg R.H.	1	1	1	1	506 0312		506 0203
9	N Ski Leg L.H.	1	1	1	1	506 0312		506 0204
10	Ski Leg Bushing (Upper)	2	2	2	2	572 0612	572 0612	572 0601
10	Ski Leg Bushing (Lower)	2	2	2	2	572 0612	572 0612	572 0502
11	Shim	4	4	4	4	504 1082	504 1082	506 0150
11a	Rubber Spacer			2				570 0611
12	Screw	2	2	2	2	301 7087	300 1047	300 9087
13	Washer	4	4	4	4	399 9027		399 9027
14	Nut	2	2	2	2	386 6024	386 6022	386 6024
15□	Grease Fitting	2	2	2			408 2004	408 2001
16	Screw	4	4				560 6007	
17	Male Rod End	4	4				414 1593	
18	Nut	4	4				386 6024	
19	Cotter Pin	4	4				371 0012	
20	Nut	4	4				387 2024	
21	Tie Rod	2	2				506 0199	
22	Nut	2	2				389 8016	
23	Turn Buckle	2	2				506 0200	
24	Steering Arm	2	2				506 0251	
25	Ski Leg R.H. w/Grease Fitting	1	1				580 0724	
25	Ski Leg L.H. w/Grease Fitting	1	1				580 0849	

TIE ROD & SKI LEG (T'NT 640 - 775)
ONLY IN 1972

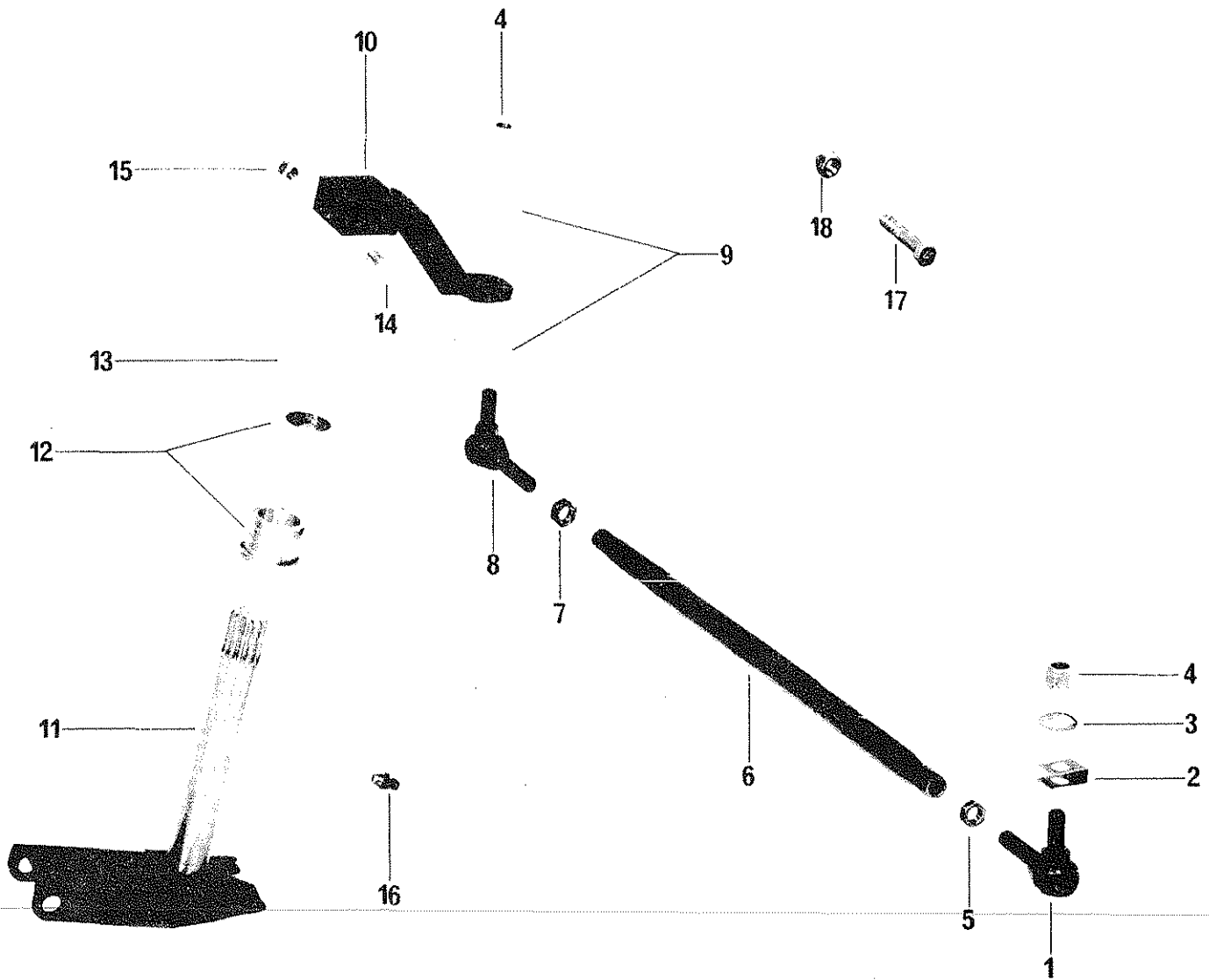


ITEM NO.	DESCRIPTION	QUANTITY		PART NO.		
		640	775	1972		
1	Ball Joint L.H. Thread	2	2	414 1118		
2	Tab Lock	2	2	517 0485		
3	Nut	4	4	389 8036		
4	Jam Nut L.H.	2	2	389 8016		
5	Tie Rod	2	2	506 0058		
6	Jam Nut R.H.	2	2	389 8015		
7	Ball Joint R.H. Thread	2	2	414 1257		
8	Steering Arm	2	2	506 0201		
9	Tab Lock	2	2	517 0483		
10	Tab Lock	2	2	517 0506		
11	Ski Leg R.H.	1	1	560 6005		
12	Bushing (Lower)	2	2	572 0502		
13	Bushing (Upper)	2	2	572 0601		
14	Washer	4	4	506 0150		
15	Rubber Spacer	2	2	570 0611		
16	Nut	2	2	386 6030		
17	Grease Fitting	2	2	408 2001		



ITEM NO.	DESCRIPTION	QUANTITY		PART NO.	
		337		1973	
1	Ball Joint L.H. Thread	2		414 1258	
2	Tab Lock	2		517 0485	
3	Nut	4		386 6024	
4	Jam Nut L.H.	2		389 8016	
5	Tie Rod	2		506 0058	
6	Jam Nut R.H.	2		389 8015	
7	Ball Joint R.H. Thread	2		414 1257	
8	Steering Arm	2		414 1260	
9	Tab Lock	4		517 0606	
10	Ski Leg R.H.	1		506 0215	
10	Ski Leg L.H.	1		506 0215	
11	Bushing (Lower)	2		572 0502	
11	Bushing (Upper)	2		572 0601	
12	Washer	4		506 0150	
13	Rubber Spacer	2		570 0611	
14	Screw	2		301 7087	
15	Washer	4		399 9027	
16	Nut	2		386 6024	
17	Grease Fitting	2		408 2001	

TIE ROD - SKI LEG (ELITE)



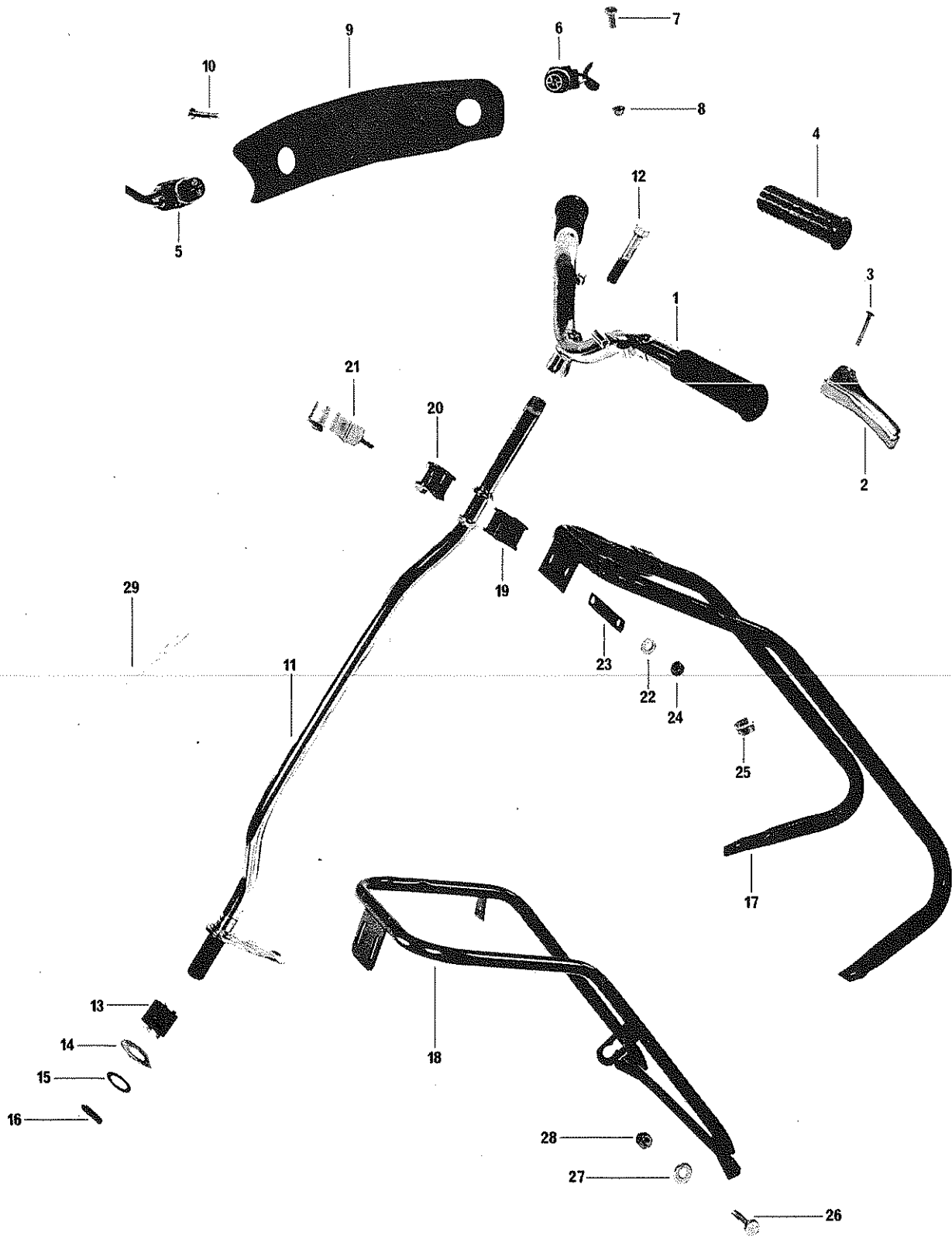
ITEM NO.	DESCRIPTION	QTY	PART. NO.	
			1974	1973
1	Ball joint L.H. Thread	2	414 1258	414 1258
2	N Tab Lock	4	517 0794	517 0703
3	Washer	2		399 9027
4	Nut	4	386 6024	386 6024
5	Jam Nut L.H.	2	389 8016	389 8016
6	N Tie Rod	2	506 0314	506 0275
7	Jam Nut R.H.	2	389 8015	389 8015
8	Ball Joint R.H. Thread	2	414 1257	414 1257
9	Tab Lock	4	517 0606	517 0606
10	Steering Arm	2	506 0270	506 0270
11	Ski Leg	2	506 0282	506 0282
12	Ski Leg Bushing	4	506 0271	506 0271
13	Shim	4	504 1082	504 1082
14	Screw	2	301 7047	301 7047
15	Nut	2	386 6022	386 6022
16	Grease Fitting	2	408 2001	408 2001
17	Screw	1	300 1084	
17	Screw	1	309 8073	
18	Nut	2	389 8015	

STEERING (ELAN)
292 (1 Cyl.) in 1972 Only 294 (2 Cyl.) in 1974 Only

1974

ITEM NO.	DESCRIPTION	QUANTITY					PART NO.		
		247	248	249	292	294	1974	1973	1972
1 <input type="checkbox"/>	Handle Bar	1	1		1		506 0264	506 0212	506 0160
1	N Handle Bar			1		1	506 0307	506 0264	
2	Throttle Handle	1	1	1	1	1	581 0420	581 0420	581 1036
3	Brake Handle	1	1		1		506 0153	581 1036	581 1036
2	Brake Handle			1		1	506 0153	506 0153	
3	Rivet	2	2	2	2	2	390 5020	390 5020	390 5015
4	Grip	2	2	2	2	2	572 0608	572 0608	572 1704
5	Steering Bushing	1	1	1	1	1	580 1154	580 1154	580 1154
6	Washer	1	1	1	1	1	506 0120	506 0120	506 0120
7	Spirol Pin	1	1	1	1	1	372 0122	372 1122	372 1122
8	Steering P anding	1	1	1		1	414 1303	414 1303	
9	N Screw	2	2	2		2	365 9008	350 0013	
10	Upper Column	1					506 0208	506 0208	506 0161
10 <input type="checkbox"/>	N Upper Column		1				506 0292	506 0219	
10 <input type="checkbox"/>	N Upper Column					1	506 0313	506 0265	
10 <input type="checkbox"/>	N Upper Column			1	1		506 0292	506 0265	506 0214
11	Screw	2	2	2	2	2	300 5001	300 1001	300 1001
12	Nut	4	4	4	4	4	386 9003	386 6019	386 6019
13	"U" Clamp	1	1	1	1	1	414 0591	414 0591	414 0591
14	Washer	2	2	2	2	2	399 9015	399 9015	399 9015
15	Grommet	2	2	2	2	2	572 1762	572 1762	572 1762
16	Grommet	1	1	1		1	570 1794	570 1794	
17	Dimmer Switch	1	1	1		1	410 1029	410 1029	
18	Kill Switch	1	1	1		1	410 1028	410 1028	
19	Clip	2	2	2				414 0554	
20	Screw	2	2	2		2	345 7060	345 7060	
21	Nut	2	2	2		2	389 8068	389 8068	

STEERING (OLYMPIQUE)

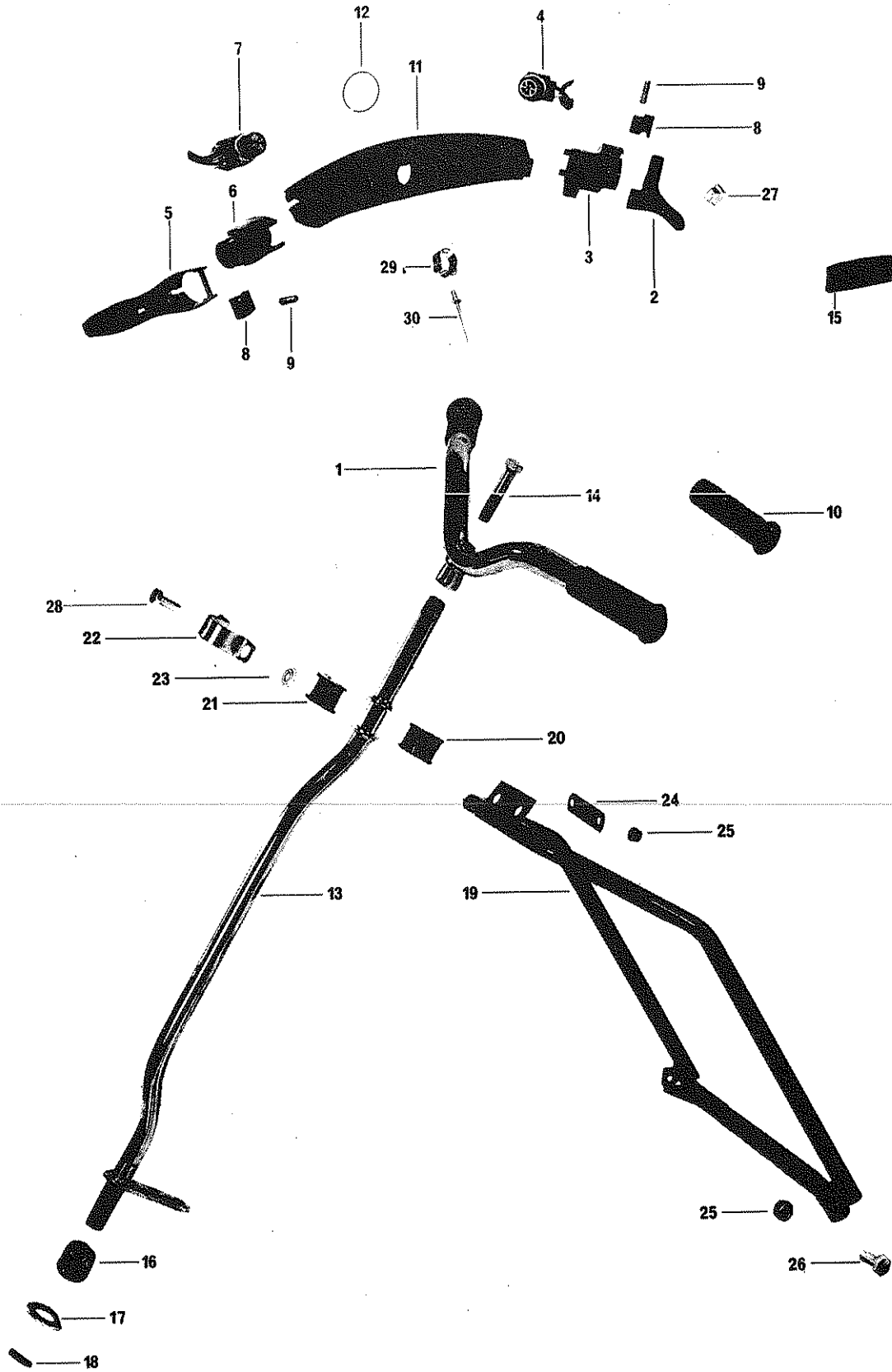


STEERING (OLYMPIQUE)
In 1974 - 302 - 338 - 401 Only

1974

ITEM NO.	DESCRIPTION	QUANTITY					PART NO.		
		302	337	338	401	434	1974	1973	1972
1	Handle	1	1	1	1	1	506 0248	506 0248	506 0151
2	Throttle Handle	1	1	1	1	1	581 0420	581 0420	581 1036
2	Brake Handle	1	1	1	1	1	506 0153	506 0153	506 0153
3	Rivet	2	2	2	2	2	390 5020	390 5020	390 5015
4	Grip	2	2	2	2	2	572 0608	572 0608	572 1704
5	<input type="checkbox"/> Dimmer Switch	1	1	1	1	1	410 1029	410 1029	
6	<input type="checkbox"/> Kill Switch	1	1	1	1	1	410 1028	410 1028	
7	Screw	2	2	2	2	2	345 7060	345 7060	
8	Nut	2	2	2	2	2	389 8068	389 8068	
9	Steering Padding	1	1	1	1	1	414 1303	414 1303	
10	<input type="checkbox"/> Screw	2	2	2	2	2	327 3065	350 0013	
11	Main Tube	1	1	1	1	1	506 0228	506 0228	
12	Screw	1	1	1	1	1	309 8072	309 8072	
13	Steering Bushing	1	1	1	1	1	580 1154	580 1154	580 1154
14	Washer	1	1	1	1	1	506 0169	506 0169	506 0169
15	Shim	AR	AR		AR				504 1009
16	Roll Pin	1	1	1	1	1	372 1122	372 1122	372 1122
17	Upper Column	1	1				506 0218	506 0218	506 0156
18	Upper Column (Manuel)			1	1	1	506 0229	506 0229	506 0156
18	Upper Column (Electric)			1	1			506 0235	506 0156
19	Lower Bushing	1	1	1	1	1	572 0603	572 0603	572 0603
20	Upper Bushing	1	1	1	1	1	572 0602	572 0602	572 0602
21	Retainer Bracket	1	1	1	1	1	517 0499	517 0499	517 0499
22	Washer	2	2	2	2	2	399 9008	399 9008	399 9008
23	Tab Lock	1	1	1	1	1	517 0482	517 0482	
24	Nut	2	2	2	2	2	386 9003	386 6019	386 6019
25	Clip	2	2	2	2		414 0554	414 0554	
26	Screw			2	2	2	300 1001	300 1001	
27	Washer			2	2	2	399 9015	399 9015	
28	Nut			2	2	2	386 6019	386 6019	
29	Hose Tie	AR	AR	AR	AR	AR	114 0043	114 0043	

STEERING (NORDIC)

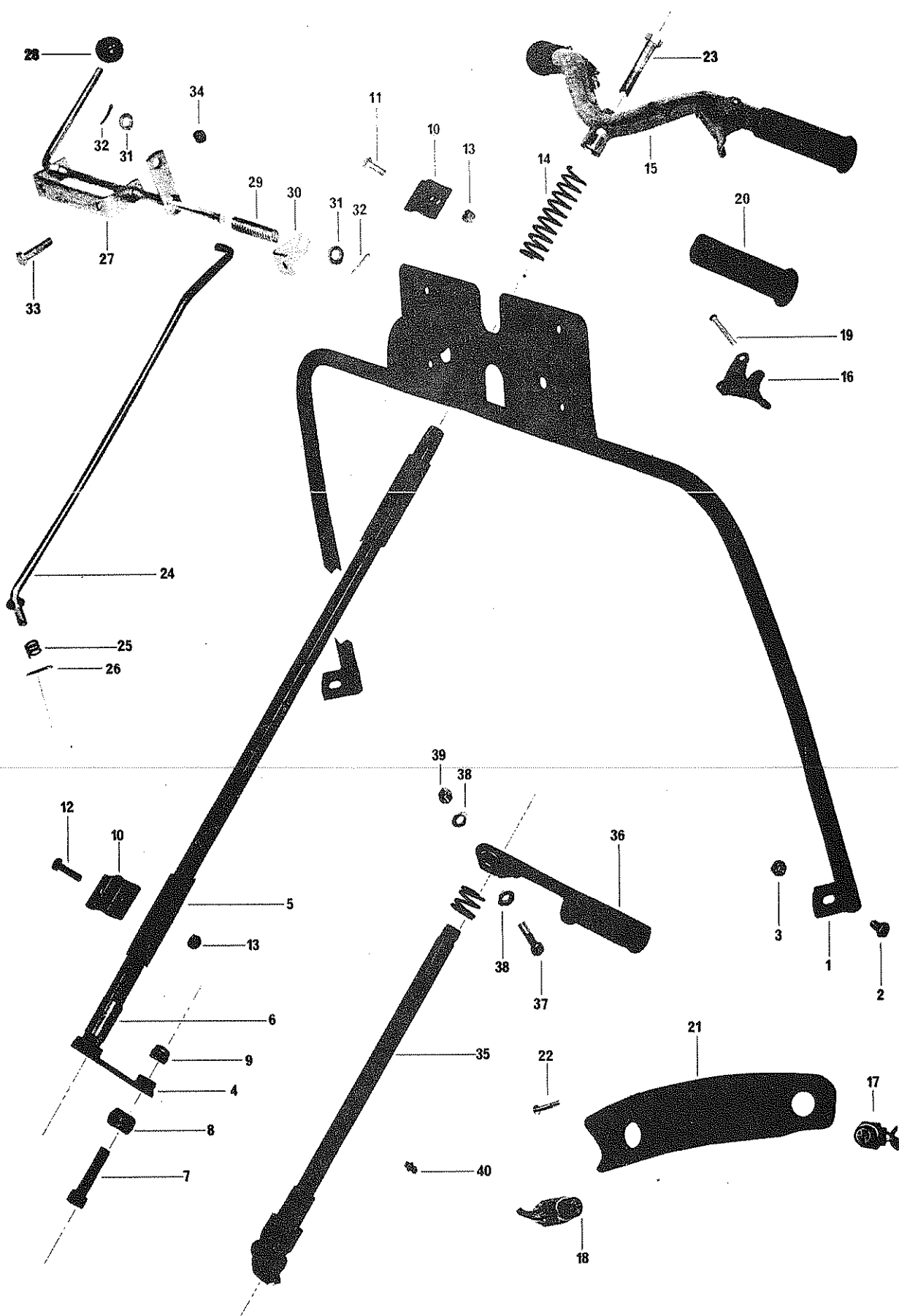


STEERING (NORDIC)
434 in 1972 Only

1974

ITEM NO.	DESCRIPTION	QUANTITY		PART NO.		
		434	640	1974	1973	1972
1	<input type="checkbox"/> N Handle	1	1	506 0283	506 0230	506 0170
2	<input type="checkbox"/> N Throttle Handle	1	1	572 0613	506 0239	581 1036
3	<input type="checkbox"/> N Housing		1	572 0616	572 0609	
4	N Kill Switch		1	410 1032	414 1311	414 1018
	Screw		1			345 7062
	Nut		1			389 8068
5	<input type="checkbox"/> N Brake Handle	1	1	572 0614	506 0246	581 1036
6	<input type="checkbox"/> N Housing		1	572 0615	572 0606	
7	Dimmer Switch		1	414 1319	414 1319	
	Dimmer Switch	1	1			410 1023
8	End Cap		2	506 0274	506 0274	
9	<input type="checkbox"/> N Pin (Screw in 1973)		2	414 1792	350 0014	
	<input type="checkbox"/> N Push Nut (For Pin)		2	389 8043		
	Rivet	2	2			390 5015
10	<input type="checkbox"/> N Grip	2	2	572 0617	572 0607	572 1704
11	<input type="checkbox"/> N Steering Padding		1	414 1793	414 1312	
12	<input type="checkbox"/> Retaining Ring		1		414 1331	
13	<input type="checkbox"/> N Main Tube		1	506 0316	506 0238	506 0168
	Main Tube	1				506 0168
14	Screw	1	1	309 8072	309 8072	300 3128
15	<input type="checkbox"/> Crest		1		414 1333	
16	Steering Bushing	1	1	580 1154	580 1154	580 1154
17	Washer	1	1	506 0169	506 0169	506 0169
	Shim	2	2			504 1009
18	Roll Pin	1	1	372 1122	372 1122	372 1122
19	Upper Column		1	506 0237	506 0237	506 0166
	Upper Column	1				506 0166
20	Lower Bushing	1	1	572 0603	572 0603	572 0603
21	Upper Bushing	1	1	572 0602	572 0602	572 0602
22	Retainer Bracket	1	1	517 0702	517 0702	517 0499
23	Washer	2	2			399 9008
23	Washer		2	399 9008	399 9008	399 9008
24	Tab Lock		1	517 0482	517 0482	
	Washer	2	2			399 9015
25	Nut	4	4	386 6019	386 6019	386 6019
26	Screw	2	2	300 1001	300 1001	300 1001
27	<input type="checkbox"/> N Retainer (Stop Plug)		1	510 0031	572 0611	
28	Screw		2	300 1005	300 1005	
29	<input type="checkbox"/> N Clip		2	414 2006		
30	<input type="checkbox"/> N Rivet		2	390 9037		

STEERING (VALMONT - ALPINE)

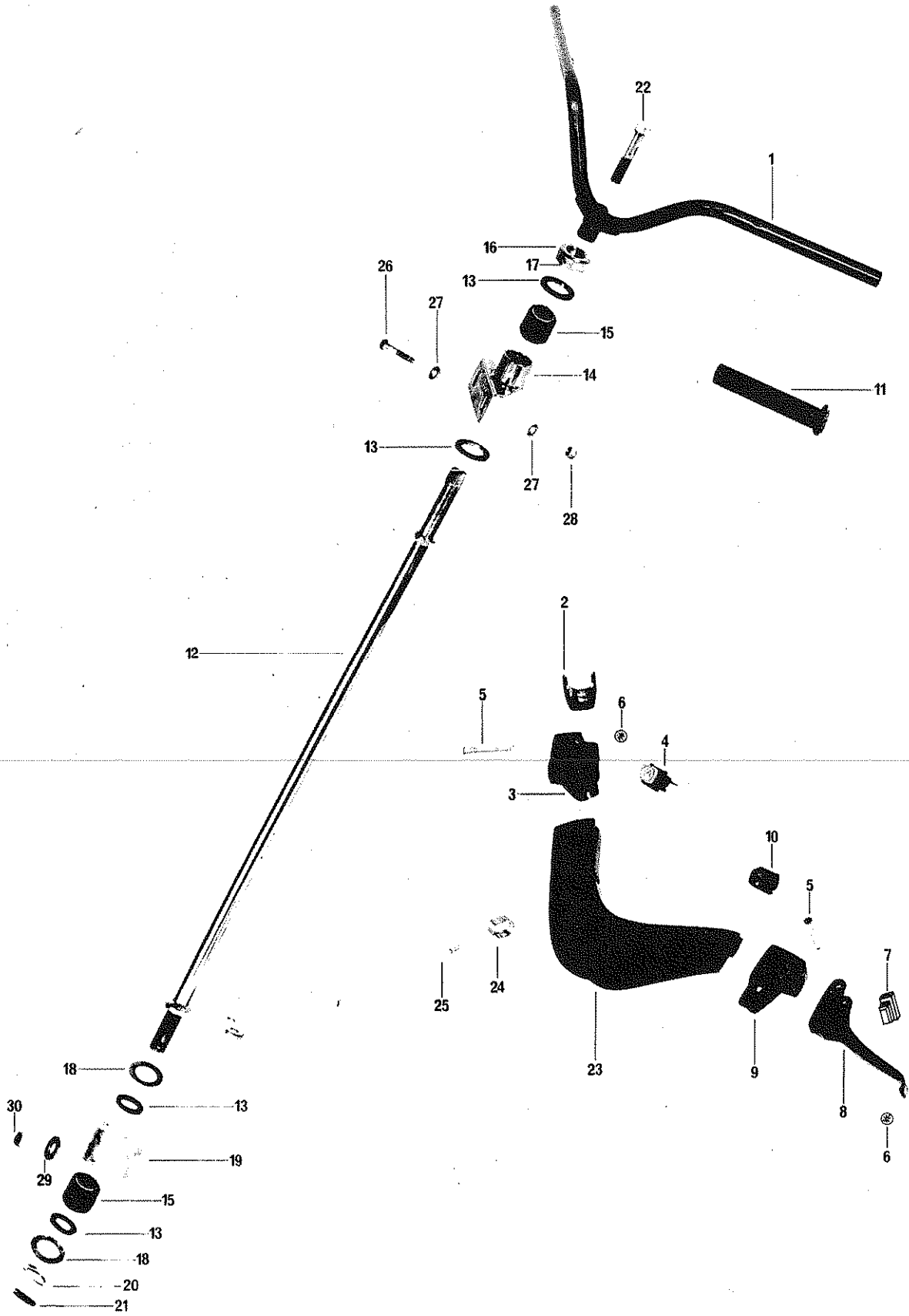


STEERING (T'NT - EVEREST)

1974

ITEM NO.	DESCRIPTION	QUANTITY			PART NO.		
		343	440	EVT	1974	1973	1972
1	N Handle	1	1	1	506 0283		
2	N Throttle Handle	1	1	1	572 0613		
3	N Throttle Housing	1	1	1	572 0616		
4	Kill Switch	1	1	1	414 1311		
5	N Pin	2	2	2	414 1792		
6	Push Nut	2	2	2	389 8043		
7	N Stop Plug	1	1	1	510 0031		
8	N Brake Handle	1	1	1	572 0614		
9	N Brake Housing	1	1	1	572 0615		
10	Dimmer Switch	1	1	1	414 1319		
11	N Grip	2	2	2	572 0617		
12	N Main Tube	1	1	1	506 0286		
13	Screw	1	1	1	309 8072		
14	N Steering Padding	1	1	1	414 1793		
15	N Clip	2	2	2	414 2006		
16	Steering Bushing	1	1	1	580 1154		
17	Washer	1	1	1	506 0169		
18	Spirol Pin	1	1	1	372 0122		
19	N Retainer Bracket	1	1	1	517 0757		
20	Upper Bushing	1	1	1	572 0604		
21	Lower Bushing	1	1	1	572 0605		
22	N Retainer Bracket	1	1	1	517 0758		
23	Tab Lock	1	1	1	517 0531		
24	Washer	2	2	2	399 9008		
25	Nut	2	2	2	386 9003		
26	N Rivet	2	2	2	390 9037		

STEERING (T'NT F.A.)

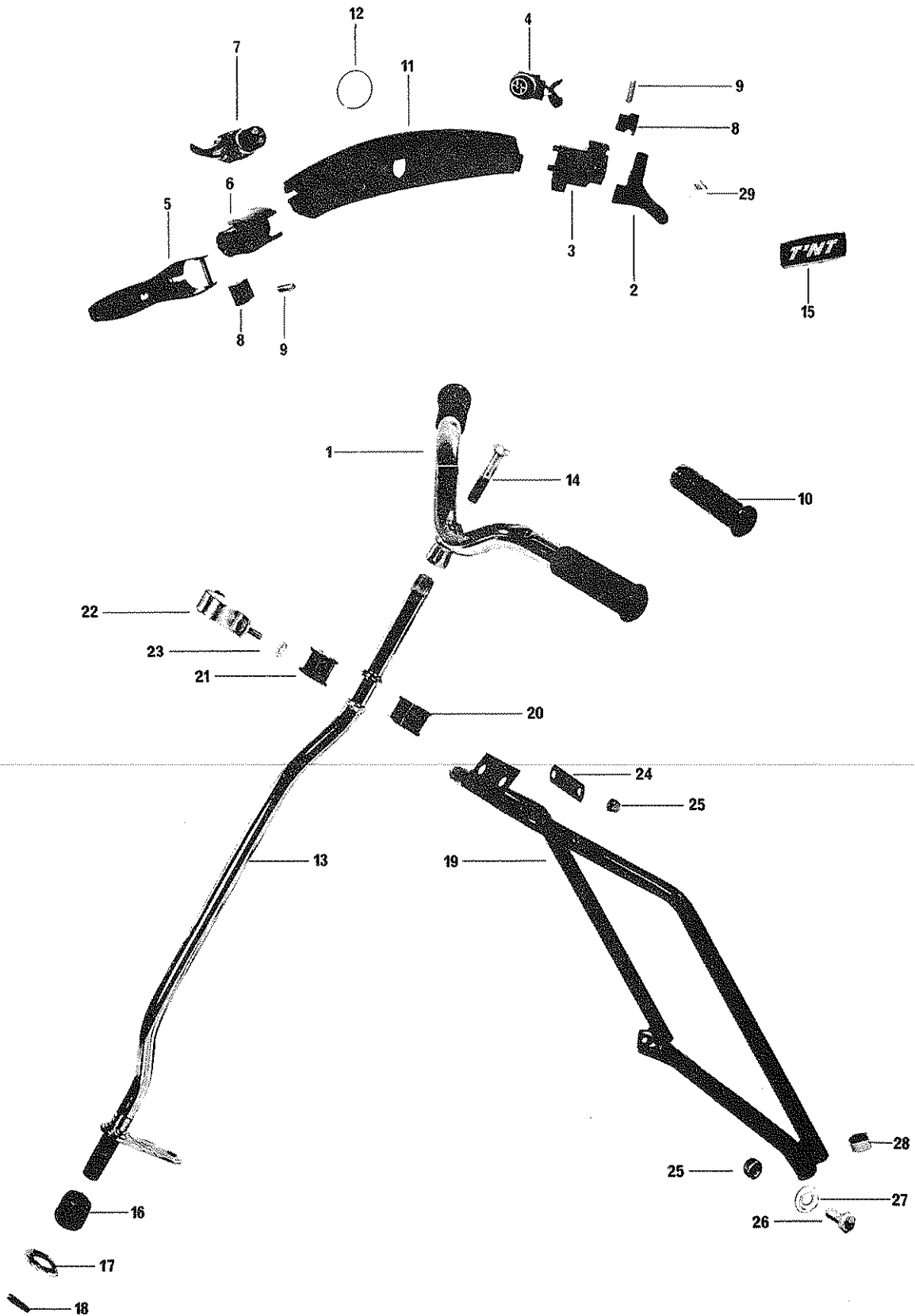


STEERING (T'NT F.A.)

1974

ITEM NO.	DESCRIPTION	QUANTITY			PART NO.		
		346	396	436	1974	1973	1972
1	N Handle	1	1	1	506 0283	506 0254	
2	N Throttle Handle	1	1	1	572 0613	581 0420	
3	N Throttle Housing	1	1	1	572 0616		
4	N Kill Switch	1	1	1	410 1032	414 1602	
5	N Pin	2	2	2	414 1792	390 5020	
6	Push Nut	2	2	2	389 8043		
7	<input type="checkbox"/> N Stop Plug	1	1	1	510 0031		
8	N Brake Handle	1	1	1	572 0614		
9	N Brake Housing	1	1	1	572 0615		
10	N Dimmer Switch	1	1	1	414 1319		
	Screw (Kill Switch)	2	2			345 7060	
	Nut (Kill Switch)	2	2			389 8068	
11	N Grip	2	2	2	572 0617	572 0607	
12	N Handle Bar	1	1	1	506 0304	506 0266	
13	Rubber Washer	4	4	4	570 0613	570 0613	
14	N Bar Bracket	1	1	1	506 0306	506 0258	
15	Bushing	2	2	2	580 0710	580 0710	
16	Collar	1	1	1	506 0195	506 0195	
17	Screw	1	1	1	365 2021	365 2021	
18	Shim	2	2	2	506 0267	506 0267	
19	N Steering Bushing Bracket	1	1	1	506 0305		
20	Washer	1	1	1	399 9055	399 9055	
21	Roll Pin	1	1	1	372 3002	372 3002	
22	Screw	1	1	1	309 8072	301 7128	
23	N Steering Padding	1	1	1	414 1793	560 6009	
24	N Clip	2	2	2	414 2006		
25	Rivet	2	2	2	390 9037		
	Screw	2	2			327 3065	
26	Screw	2	2	2	301 3001	300 9001	
27	Washer	4	4	4	399 9015	399 9015	
28	Nut	2	2	2	386 9003	386 6019	
29	Washer	2	2	2	399 9007		
30	Nut	2	2	2	386 9001		

STEERING (T'NT 15")

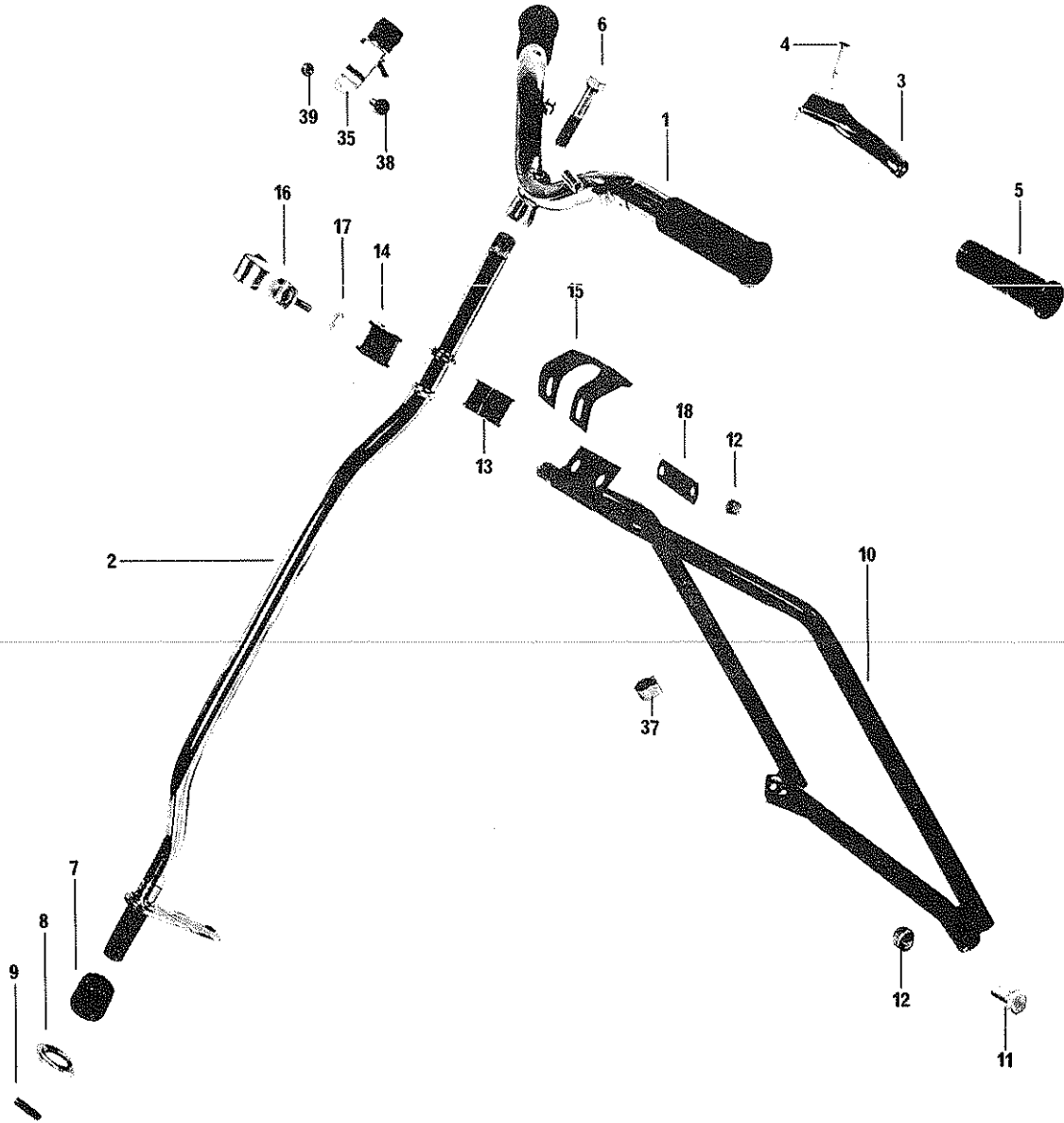


STEERING (T'NT 15")

1974

ITEM NO.	DESCRIPTION	QUANTITY			PART NO.	
		294	343	435	1973	1972
1	Handle	1			506 0230	506 0190
1	Handle		1	1	506 0230	506 0191
2	Throttle Handle	1	1	1	506 0239	581 1036
3	Housing	1	1	1	572 0609	
4	Kill Switch	1	1	1	414 1311	414 1018
5	Brake Handle	1	1	1	506 0246	506 0153
6	Housing	1	1	1	572 0606	
7	Dimmer Switch	1	1	1	414 1319	
8	End Cap	2	2	2	506 0274	
9	Screw	2	2	2	350 0014	
	Rivet	2	2	2		390 5015
10	Grip	2	2	2	572 0607	572 1704
11	Steering Padding	1	1	1	414 1312	
12	Retaining Ring	1	1	1	414 1331	
13	Main Tube	1	1	1	506 0234	
14	Screw	1	1	1	309 8072	
15	Crest	1	1	1	414 1332	
16	Steering Bushing	1	1	1	580 1154	580 1154
17	Washer	1	1	1	506 0169	506 0169
18	Roll Pin	1	1	1	372 1122	372 1122
19	Upper Column	1			506 0220	506 0175
19	Upper Column		1		506 0220	506 0185
19	Upper Column			1	506 0293	506 0185
20	Lower Bushing	1	1	1	572 0603	572 0603
21	Upper Bushing	1	1	1	572 0602	572 0602
22	Retainer Bracket	1	1	1	517 0499	517 0499
23	Washer	2	2	2	399 9008	399 9015
24	Tab Lock	1	1	1	517 0482	517 0482
25	Nut	4	4	4	386 6019	386 6019
26	Screw	2	2	2	300 1001	300 1001
27	Washer	2	2	2	399 9015	399 9015
28	Clip	AR	AR	AR		414 0554
29	Stop Plug	1	1	1	572 0611	

STEERING (T'NT)

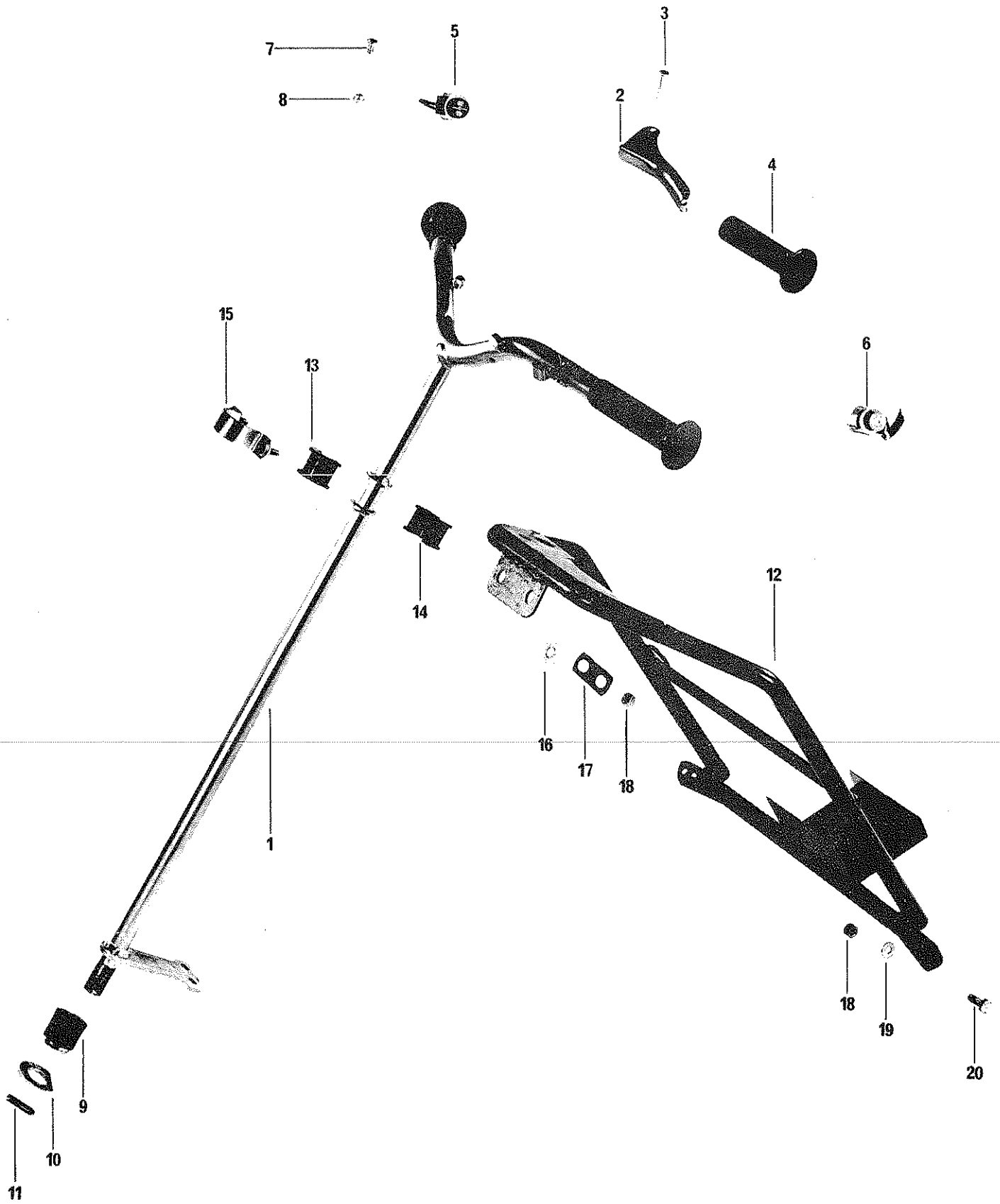


STEERING (T'NT)

1974

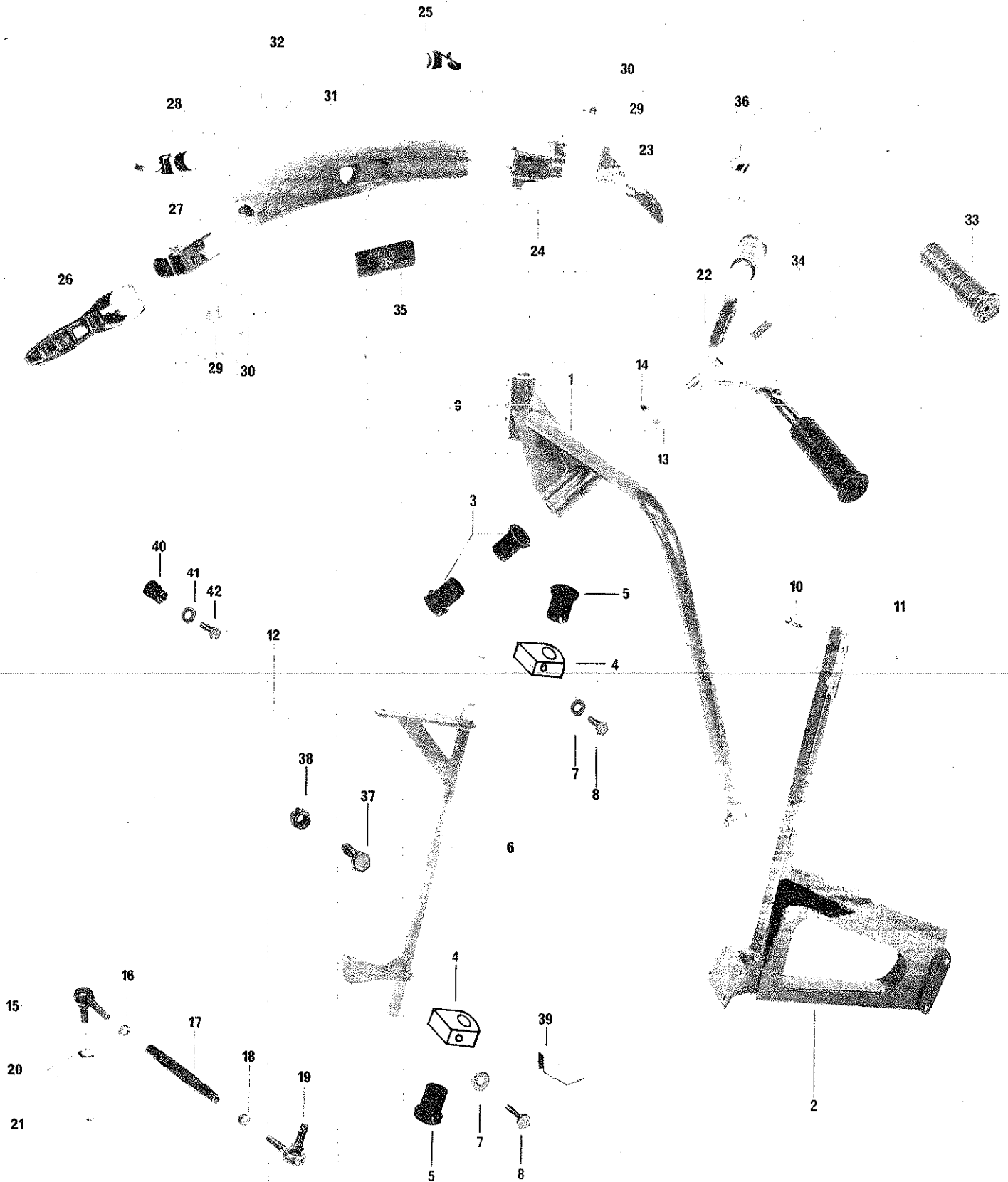
ITEM NO.	DESCRIPTION	QUANTITY			PART NO.		
		400	640	775	1972		
1	Handle	1			506 0206		
1	Handle		1	1	506 0170		
2	Handle Bar		1	1	506 0188		
3	Throttle Handle	1	1	1	581 1036		
3	Brake handle	1	1	1	506 0153		
4	Rivet	2	2	2	390 5015		
5	Grip	2	2	2	572 1704		
6	Screw		1	1	300 3128		
7	Steering Bushing	1	1	1	580 1154		
8	Washer	1	1	1	506 0169		
9	Roll Pin	1	1	1	372 1122		
10	Upper Column		1	1	506 0189		
10	Console	1			561 7034		
11	Screw	2	2	2	300 1001		
12	Nut	4	4	4	386 6019		
13	Lower Bushing	1			572 0605		
13	Lower Bushing		1	1	572 0603		
14	Upper Bushing	1			572 0604		
14	Upper Bushing		1	1	572 0602		
15	Plate		1	1	517 0305		
16	Retainer Bracket	1			517 0525		
16	Retainer Bracket		1	1	517 0499		
17	Washer		2	2	399 9015		
18	Tab Lock	1	1	1	517 0482		
35	Kill Button		1	1	414 1018		
37	Clip		3	3	414 0554		
	Hose Tie	AR			114 0043		
38	Screw	1	1	1	345 7062		
39	Nut	1	1	1	389 8068		

STEERING (Skandic)



ITEM NO.	DESCRIPTION	QUANTITY		PART NO.	
		337		1973	
1	Handle	1		506 0262	
2	Throttle Handle	1		581 0420	
2	Brake Handle	1		506 0153	
3	Rivet	2		390 5020	
4	Grip	2		572 0608	
5	Dimmer Switch	1		410 1029	
6	Kill Switch	1		410 1028	
7	Screw	2		345 7060	
8	Nut	2		389 8068	
9	Steering Bushing	1		580 1154	
10	Washer	1		506 0169	
11	Roll Pin	1		372 1122	
12	Upper Column	1		506 0263	
13	Upper Bushing	1		572 0602	
14	Lower Bushing	1		572 0603	
15	Retainer Bracket	1		517 0499	
16	Washer	2		399 9008	
17	Tab Lock	1		517 0482	
18	Nut	4		386 6019	
19	Washer	4		399 9015	
20	Screw	2		300 1001	

STEERING (ELITE)



STEERING (ELITE)

1974

ITEM NO.	DESCRIPTION	QTY	PART. NO.	
			1974	1973
1	Upper Column	1		506 0277
2	Steering Column	1		506 0272
3	Steering Bushing	6		506 0278
4	N Block	2	506 0318	
5	Steering Bushing	4	572 0601	
6	N Column Shaft	1	506 0317	506 0273
7	Washer	4	392 0019	
8	Screw	4	300 5000	
9	Grease Fitting	3		408 2001
10	Screw	14		300 1001
11	Nut	14		386 6019
12	N Main Tube	1	506 0319	506 0279
13	Collar	1	506 0280	506 0280
14	Allen Set Screw	2	365 2020	365 2020
15	Ball Joint R.H. Thread	1	414 1257	414 1257
16	Jam Nut R.H.	1	389 8015	389 8015
17	N Tie Rod	1	506 0315	506 0276
18	Jam Nut L.H.	1	389 8016	389 8016
19	Ball Joint L.H. Thread	1	414 1258	414 1258
20	Tab Lock	4		517 0606
21	Nut	2	386 6024	386 6024
22	Handle	1	506 0230	506 0230
23	Throttle Handle	1	506 0239	506 0246
24	Housing (Throttle Handle)	1	572 0609	572 0609
25	Kill Switch	1	414 1311	414 1311
26	Brake Handle	1	506 0246	506 0246
27	Housing (Brake Handle)	1	572 0606	572 0606
28	Dimmer Switch	1	414 1319	414 1319
29	End Cap	2	506 0274	506 0274
30	Screw	2	350 0014	350 0014
31	Steering Padding	1	414 1312	414 1312
32	Retainer Ring	1	414 1331	414 1331
33	Grip	2	572 0607	572 0607
34	Screw	1	309 8072	309 8072
35	Crest	1	414 1628	414 1628
36	Stop Plug	1	572 0611	572 0611
37	Screw	1	300 0041	
38	Nut	1	386 6122	
39	Lock Plate	1		506 0308
40	Threaded Spacer Bushing	1		512 0011
41	Washer	1		392 0024
42	Screw	1		301 7089

C

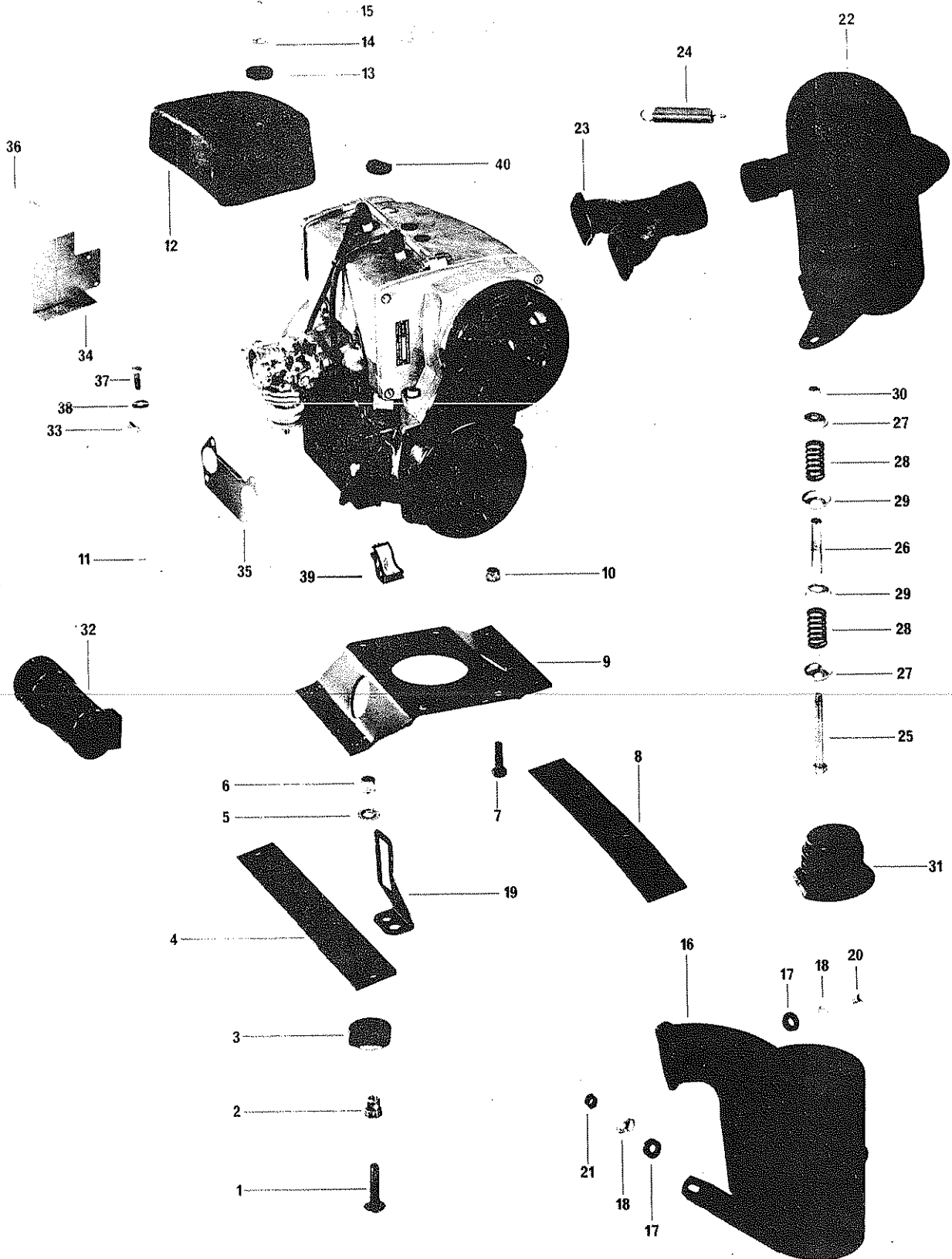
C

C

**SECTION
ENGINE**

Support
Leaf Spring
Bracket
Exhaust

ENGINE (ELAN)

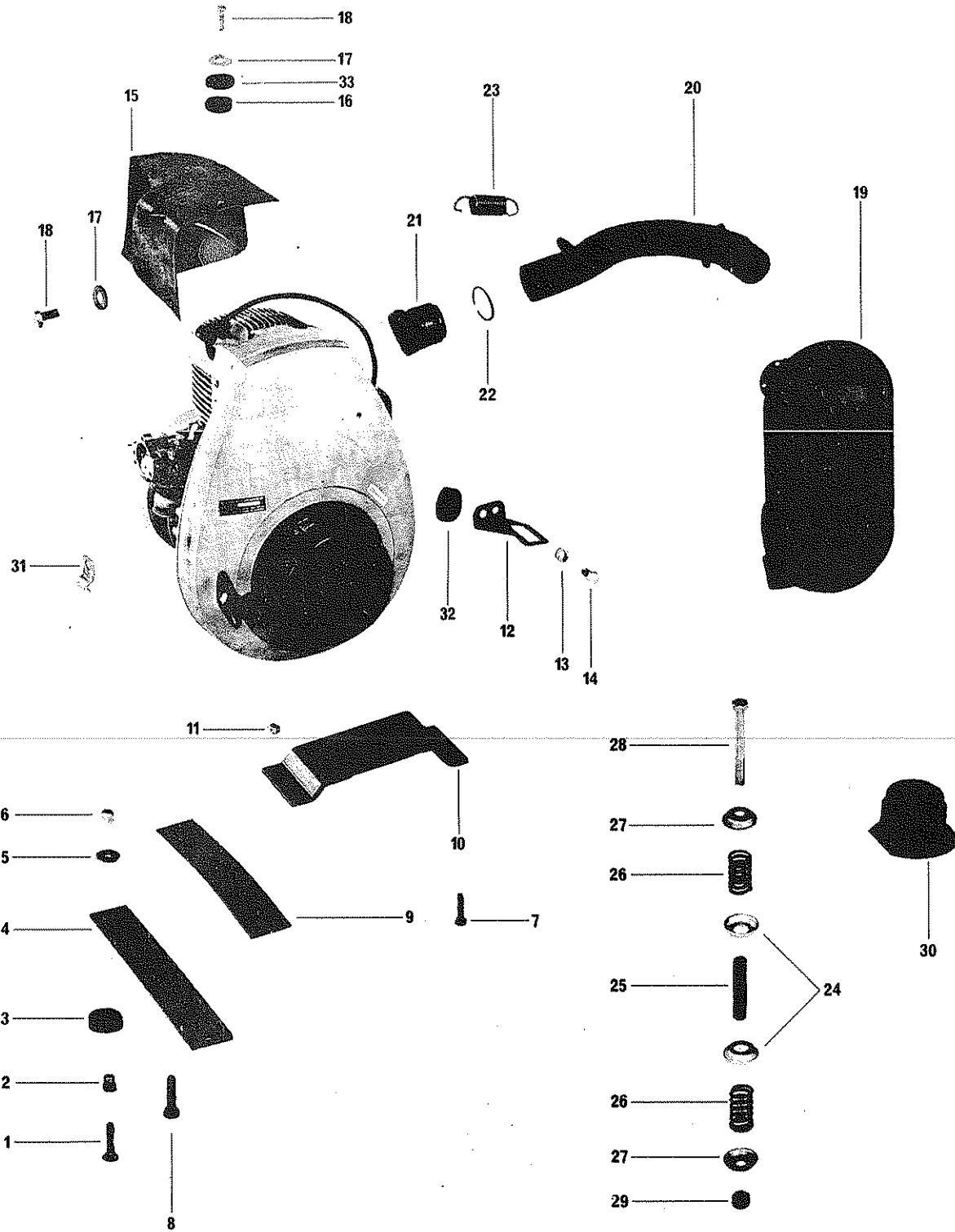


ENGINE (ELAN)
292 (1 Cyl.) in 1972 Only 294 (2 Cyl.) in 1974 Only.

1974

ITEM NO.	DESCRIPTION	QUANTITY					PART NO.		
		247	248	249	292	294	1974	1973	1972
1	Carriage Bolt	4	4	4	4	4	360 8007	360 8007	360 8007
2	Threaded Spacer Bushing	4	4	4	4	4	512 0011	512 0011	512 0011
3	Insulator Rubber	4	4	4	4	4	570 1202	570 1202	570 1202
4	Engine Support	2			2		512 0012	512 0012	512 0012
4	Engine Support		2	2		2	512 0046	512 0046	
5	Washer	4	4	4	4	4	399 9006	399 9006	399 9006
6	Nut	4	4	4	4	4	386 6024	386 6024	386 6024
7	Screw W/Knurling 1" Long	4	4	4	2	4	309 8012	309 8012	309 8012
7	Screw W/Knurling 1-3/16" Long				2				309 8025
8	Engine Leaf Spring				1				512 0050
9	Engine Bracket	1					512 0104	512 0104	512 0104
9	Engine Bracket		1	1		1	512 0144	512 0144	
9	Engine Bracket				1				512 0017
10 <input type="checkbox"/>	Nut	4	4	4	4	4	386 6022	386 6022	380 8037
11	Link	1	1	1				414 0727	414 0727
12	Air Duct	1					571 1209	571 1209	
12	Air Duct		1	1		1	571 1210	571 1210	
13	Rubber Spacer	2	3	3		3	570 1230	570 1224	
13	Rubber Spacer	1					570 1230	570 1230	
14	Washer	2	3	3		3	399 9023	399 9023	
14	Washer	1					399 9015	399 9037	
15 <input type="checkbox"/>	Screw	2	3	3		3	363 1074	363 1074	
15	Screw	1					300 5000	300 5000	
16	Muffler	1					402 2528	402 2528	402 2249
16	Muffler				1				402 2432
17	Rubber Washer	2			2		570 1212	570 1212	570 1212
18	Retainer Washer	2			2		503 0016	503 0016	503 0016
19	Block Holder	1	1					512 0143	
20	Screw	1	1		1		402 0231	402 0231	402 0231
21	Nut	1			1		402 0018	402 0018	402 0018
22 <input type="checkbox"/>	N Muffler		1				402 2600	402 2527	
22 <input type="checkbox"/>	N Muffler			1			402 2600	402 2557	
22 <input type="checkbox"/>	Muffler					1	402 2557		
23	Exhaust Manifold		1	1		1	402 2529	402 2529	
24	Spring		2	2		2	414 1409	414 1409	
25 <input type="checkbox"/>	Screw		1	1		2	300 5079	300 1050	
26 <input type="checkbox"/>	Bushing		1	1		2	512 0121	512 0121	
27 <input type="checkbox"/>	Cup		2	2		4	512 0139	512 0139	
28 <input type="checkbox"/>	Spring		2	2		4	414 1090	414 1090	
29 <input type="checkbox"/>	Cup		2	2		4	512 0122	512 0122	
30 <input type="checkbox"/>	Nut		1	1		2	386 9001	386 6022	
31	Exhaust Grommet	1	1	1	1	1	570 1406	570 1406	570 1406
32	Starter Protector	1					570 1504	570 1504	
33	N Clip	1	1	1	3	1	414 1760	414 1084	513 0053
34 <input type="checkbox"/>	Side Baffle (249 in 1973 only)			1		1	512 0166	512 0166	
35	Rear Baffle			1		1		512 0167	
36 <input type="checkbox"/>	Rivet (249 in 1973 only)			2		2	390 4002	390 4002	
	Grommet			1		1		414 0363	
37	Screw		1	1		1	365 9006		
38	Washer		1	1		1	399 9018		
39 <input type="checkbox"/>	N Plug		1	1		1	570 1239		
40 <input type="checkbox"/>	N Rubber Washer (Engine Cowling)		1	1		1	561 2022		

ENGINE (OLYMPIQUE 302 - 337)

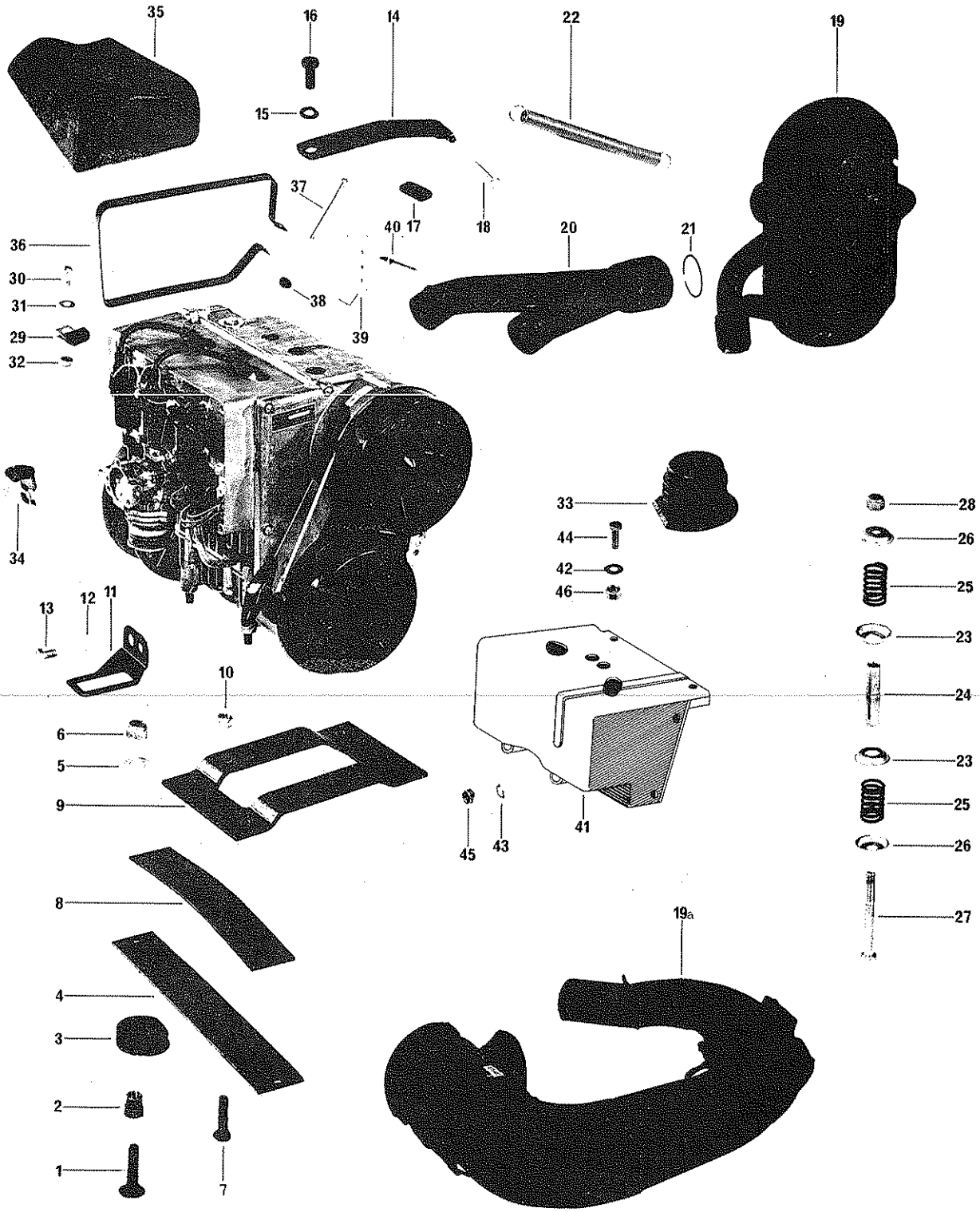


**ENGINE (OLYMPIQUE)
In 1974 - 302 Only**

1974

ITEM NO.	DESCRIPTION	QUANTITY		PART NO.		
		302	337	1974	1973	1972
1	Bolt 1 3/4" L	2	2	360 8016	360 8016	360 8010
1	Bolt 1 1/2" L	2	2	360 8010	360 8010	360 8010
2	Threaded Spacer Bushing	4	4	512 0011	512 0011	512 0011
3	Insulator Rubber	4	4	570 1202	570 1202	570 1202
4	Engine Support	2	2	512 0012	512 0012	512 0012
5	Washer	4	4	399 9006	399 9006	399 9006
6	Nut	4	4	386 6024	386 6024	389 8036
7	Screw W/Knurling 1" L	2	2	309 8012	309 8012	309 8012
8	Screw W/Knurling 1 3/16" L	2	2	309 8025	309 8025	309 8025
9 <input type="checkbox"/>	Engine Leaf Spring	1	1	512 0050	512 0050	512 0050
10	Engine Bracket	1	1	512 0017	512 0017	512 0017
11	Nut	4	4	389 8037	389 8037	389 8037
12	Block Holder	1	1	512 0143	512 0143	
13	Washer	1	1	392 0022	392 0022	
14	Screw	1	1	402 2001	402 2001	
15	Air Duct	1	1	571 1211	571 1211	
16	Rubber Spacer	4	4	570 1224	570 1224	
17	Washer	2	2	399 9023	399 9023	
17	Washer	1	1	399 9037	399 9037	
18	Sheet Metal Screw	2	2	363 1075	363 1075	
18	Screw	1	1	300 5000	300 5000	
19	Muffler	1	1	402 2542	402 2542	402 2432
20	Inlet Elbow	1	1	402 2541	402 2541	
21	Exhaust Socket	1	1	402 2532	402 2532	
22	String (Mult 12")	AR	AR	414 1434	414 1434	
23	Spring	4	4	414 1391	414 1391	
24	Cup	2	2	512 0122	512 0122	
25	Bushing	1	1	512 0121	512 0121	
26	Spring	2	2	414 1090	414 1090	
	Rubber Washer	2	2			570 1212
27	Cup	2	2	512 0139	512 0139	
	Washer	2	2			503 0016
28	Screw	1	1	300 1050	300 1050	402 2001
29	Nut	1	1	386 6022	386 6022	402 0018
30	Exhaust Grommet	1	1	570 1406	570 1406	570 1406
31	Clip	1	1	414 1084	414 1084	
32 <input type="checkbox"/>	Rubber Washer (Between Engine & Block Holder)	1		570 1212		
33 <input type="checkbox"/>	Rubber Spacer	1		570 1230		

ENGINE (OLYMPIQUE 338 - 401 - 434)

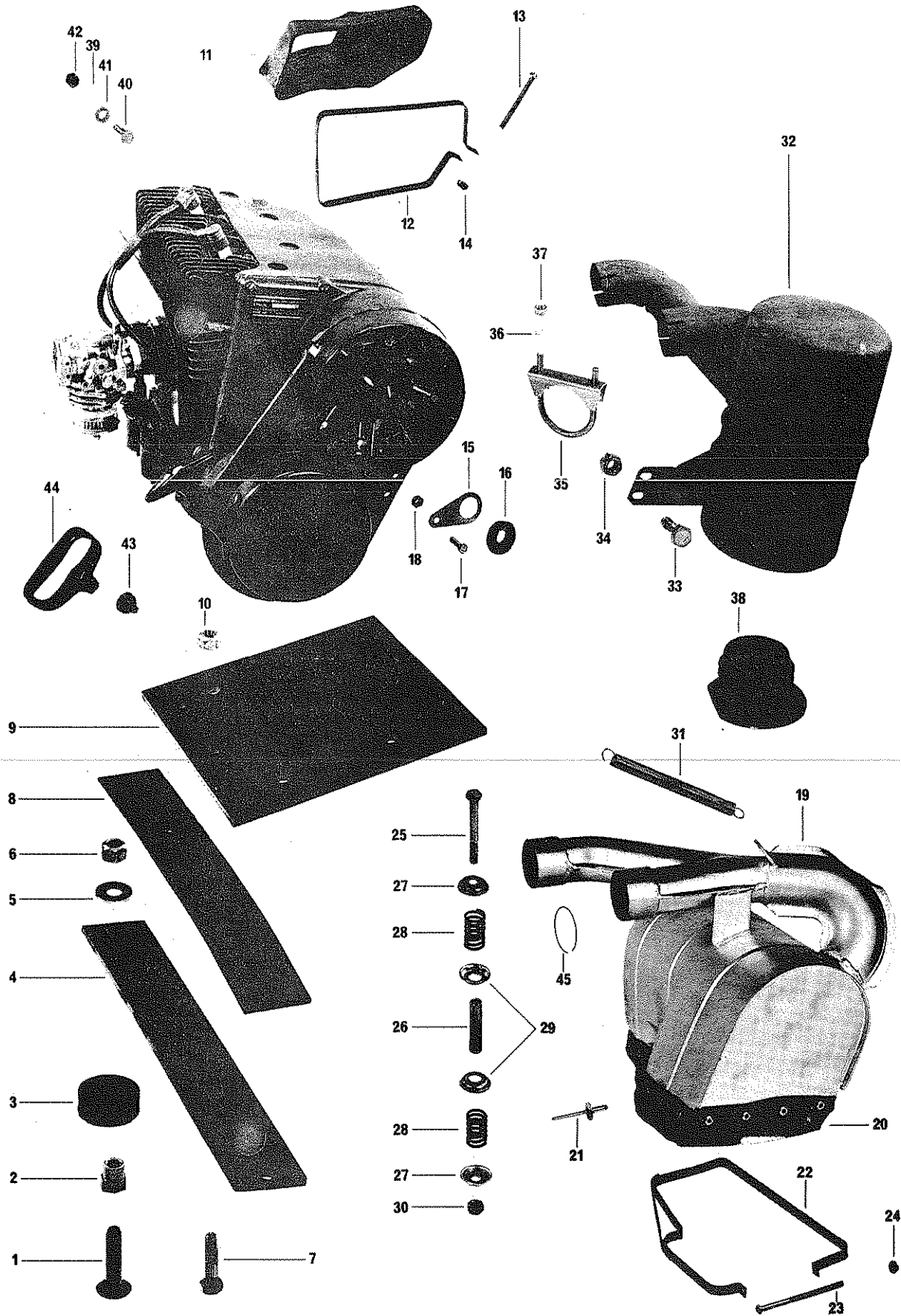


**ENGINE (OLYMPIQUE)
In 1974 - 338-401 Only**

1974

ITEM NO.	DESCRIPTION	QUANTITY			PART NO.		
		338	401	434	1974	1973	1972
1	Bolt	4	4	4	360 8010	360 8010	360 8010
2	Threaded Spacer Bushing	4	4	4	512 0011	512 0011	512 0011
3	Insulator Rubber	4	4	4	570 1202	570 1202	570 1202
4	Engine Support	2	2	2	512 0046	512 0046	512 0046
5	Washer	4	4	4	399 9006	399 9006	399 9006
6	Nut	4	4	4	386 6024	386 6024	389 8036
7	Screw W/Knurling	4	4	4	309 8025	309 8025	309 8025
8	Engine Leaf Spring	2	2	2	512 0047	512 0047	512 0047
9	Engine Bracket	1	1		512 0032	512 0032	512 0032
9	Engine Bracket			1		512 0110	
10	Nut	4	4	4	389 8037	389 8037	389 8037
11	Block Holder	1	1	1	512 0143	512 0143	
	Bracket		1				512 0064
12	Washer	2	2	2	399 8007	399 8007	399 8007
13	Screw	2	2	2	300 5000	300 5000	300 5001
14	Retainer Bracket	1	1	1	512 0149	512 0149	
15	Washer	1	1	1	392 0022	392 0022	
16	Screw	1	1	1	300 4041	300 4041	
17	Pad	1	1	1	570 1213	570 1213	
18	Rivet	2	2	2	390 5015	390 5015	
19	Tuned Muffler	1	1		402 2525	402 2525	402 2248
19a	Tuned Muffler			1		402 2524	
20	Exhaust Manifold	1	1		402 2442	402 2442	
20	Exhaust Manifold			1	402 2543	402 2543	
21	String (Mult 12")	AR	AR	AR	414 1434	414 1434	
22	Spring	2	2	2	414 1120	414 1120	
23	Cup	2	2	6	512 0122	512 0122	
24	Bushing	1	1	3	512 0121	512 0121	
25	Spring	2	2	6	414 1090	414 1090	
26	Cup	2	2	6	512 0139	512 0139	
27	Screw	1	1	3	300 1050	300 1050	300 1001
28	Nut	1	1	3	386 6022	386 6022	386 6019
	Clamp 40 dia.		2				402 2166
	Clamp 42 dia.		2				402 2167
29	Clip	2	2	2	414 1084	414 1084	
30	Screw	1	1	1	320 1061	320 1061	
31	Washer	1	1	1	399 9018	399 9018	
32	Nut	1	1	1	386 6013	386 6013	
33	Exhaust Grommet	1	1	1	570 1406	570 1406	570 1406
34	Speed Clip	1	1		414 1063	414 1063	
35	Air Duct			1		570 1232	
36	Retainer Ring			1		512 0156	
37	Screw			1		320 1070	
38	Nut			1		386 6013	
39	Bracket			1		512 0157	
40	Rivet			3		390 4022	
41	Engine Cowling			1		414 1503	
42	Washer			2		399 9007	
43	Washer			2		392 0022	
44	Screw			2		300 5040	
45	Nut			2		402 0018	
46	Spacer			2		517 0152	

ENGINE (NORDIC)

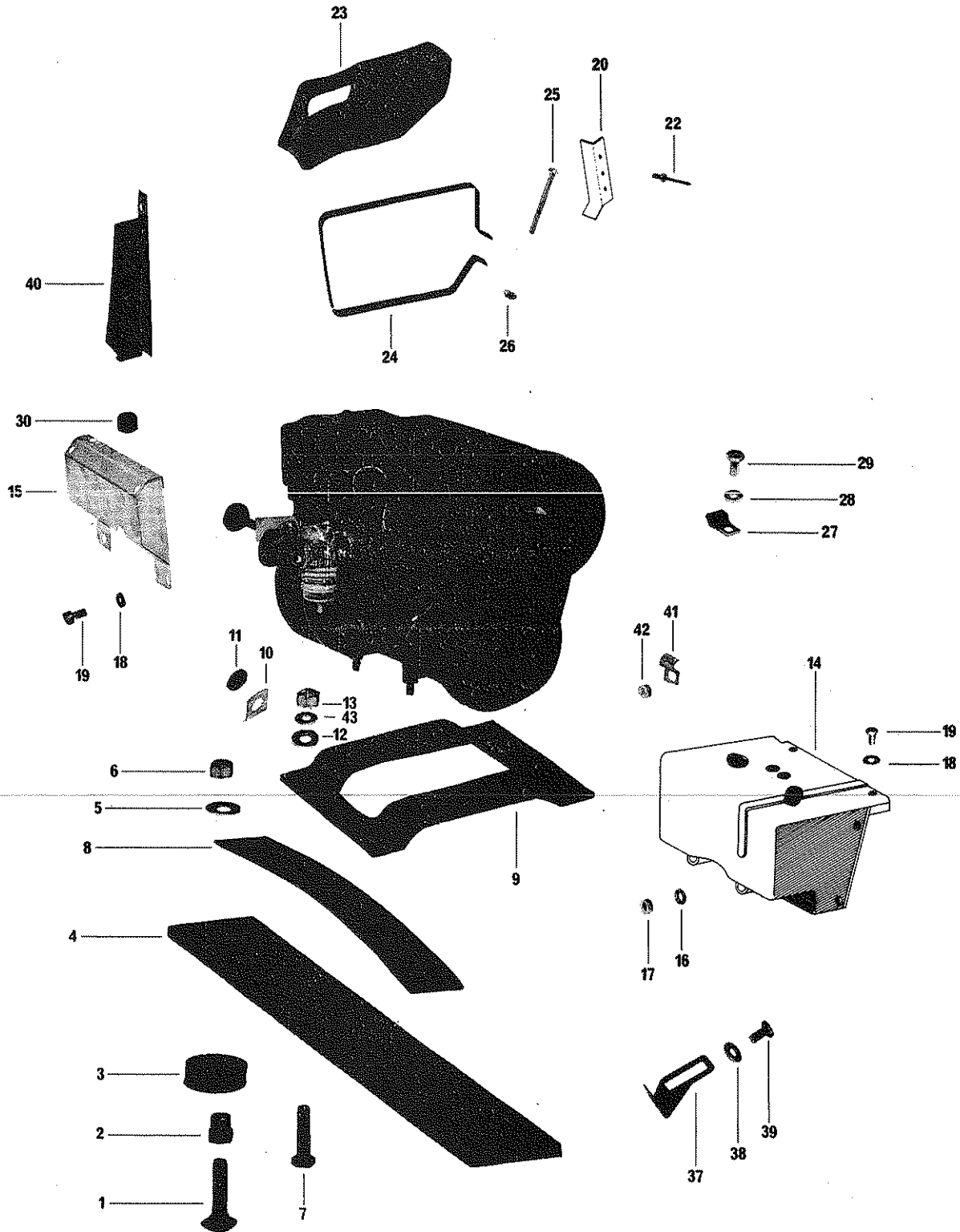


ENGINE (NORDIC)
434 in 1971 Only

1974

ITEM NO.	DESCRIPTION	QUANTITY		PART NO.		
		434	640	1974	1973	1972
1	Carriage Bolt	4	4	360 8010	360 8010	360 8010
2	Threaded Bushing	4	4	512 0011	512 0011	512 0011
3	Insulator Rubber	4	4	570 1202	570 1202	570 1202
4	Engine Support		2	512 0053	512 0053	512 0053
	Engine Support	2				512 0031
5	Washer	4	4	399 9006	399 9006	399 9006
6	Nut	4	4	386 6024	386 6024	389 8036
7	Screw W/Knurling	4	6	309 8025	309 8025	309 8025
8	Engine Leaf Spring		2	512 0054	512 0054	512 0054
	Engine Leaf Spring	2				512 0045
9	Engine Bracket		1	512 0109	512 0109	512 0109
	Engine Bracket	1				512 0099
10	Nut	4	6	389 8037	389 8037	389 8037
11	Air Duct		1	570 1220	570 1220	
12	Clip		1	512 0154	512 0154	
13	Screw		1	320 1070	320 1070	
14	Nut		1	384 9013	384 9013	
15	Bracket		1	512 0147	512 0147	
16	Grommet		1	570 1794	570 1794	
17	Screw		1	320 1063	320 1063	
18	Nut		1	386 6013	386 6013	
19	Muffler		1	402 2536	402 2536	
20	Exhaust Grommet		1	570 1218	570 1218	
21	<input type="checkbox"/> Rivet		20	390 9017	390 9017	
22	Retainer Strip		1	517 0618	517 0618	
23	<input type="checkbox"/> Screw		1	320 1072	320 1072	
24	Nut		1	386 6013	386 6013	
25	Screw		1	300 1050	300 1050	
26	Bushing		1	512 0121	512 0121	
27	Cup		2	512 0139	512 0139	
28	Spring		2	414 1090	414 1090	
29	Cup		2	512 0122	512 0122	
30	Nut		1	386 6022	386 6022	
31	Spring		2	414 1392	414 1392	
32	Muffler	1				402 2246
32	Muffler		1			402 2365
33	Screw	2	2			300 1001
34	Nut	2	2			387 2019
35	Clamp	2				414 1016
	Clamp	1				414 1016
35	Clamp		3			414 1076
36	Washer	6	6			392 0022
37	Nut	6	6			380 9022
38	Exhaust Grommet	1				570 1407
38	Exhaust Grommet		1			570 1407
39	Clip		1	513 0053	513 0053	513 0053
40	Screw		1	300 1001	300 1001	300 1001
41	Washer		1			399 9015
42	Nut		1	386 6019	386 6019	386 6019
43	N Rubber Buffer		1	570 0319	570 1221	
44	N Starter Grip		1	572 1208	414 1539	
45	<input type="checkbox"/> String (Mult 12'')		AR		414 1434	
45	<input type="checkbox"/> N Aluminium Ring		4	420 831 415		

ENGINE (VALMONT - ALPINE)

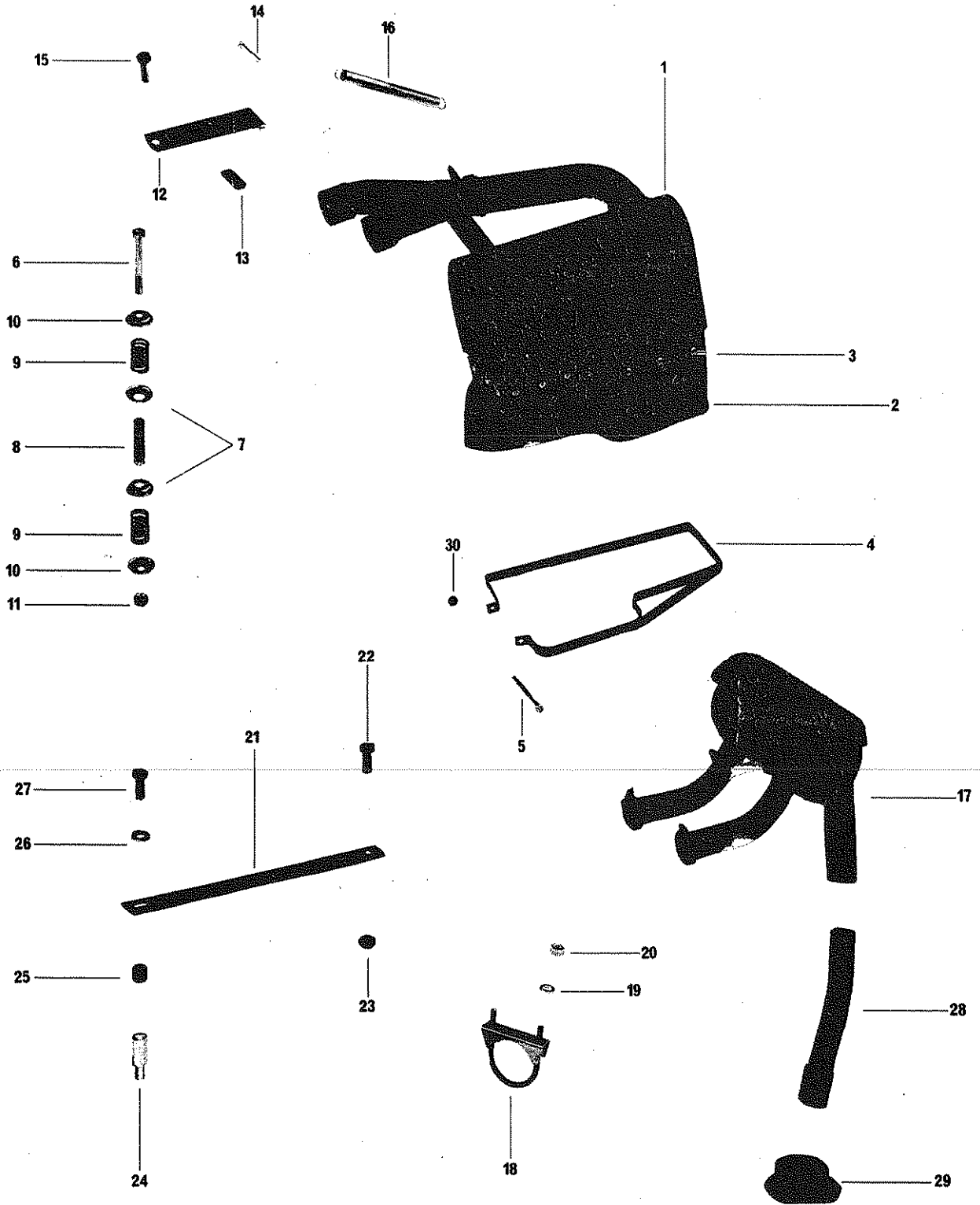


**ENGINE (VALMONT – ALPINE)
In 1974 Alpine 434ER - 640ER Only**

1974

ITEM NO.	DESCRIPTION	QUANTITY			PART NO.		
		V434	A434	A640	1974	1973	1972
1	Carriage Bolt	4	4	4	360 8010	360 8010	360 8010
2	Threaded Spacer Bushing	4	4	4	512 0011	512 0011	512 0011
3	Insulator Rubber	4	4	4	570 1202	570 1202	570 1202
4	Engine Support	2	2		512 0069	512 0069	512 0069
4	Engine Support			2	512 0056	512 0056	512 0056
5	Washer	4	4	4	399 9006	399 9006	399 9006
6	Nut	4	4	4	386 6024	386 6024	389 8036
7	Screw W/Knurling	4	4	6	309 8025	309 8025	309 8025
8	Engine Leaf Spring	2	2		512 0070	512 0070	512 0070
8	Engine Leaf Spring			2	512 0057	512 0057	512 0057
9	Engine Bracket	1	1		512 0116	512 0116	512 0116
9	Engine Bracket			1	512 0117	512 0117	512 0117
10	Bracket (Elect. Only)	1	1	1	512 0153	512 0153	
11	Grommet (Elect. Only)	1	1	1	570 1794	570 1794	
12	Washer	4	4	6	399 9007	399 9007	399 9007
13	Nut	4	4	6	389 8037	389 8037	389 8037
14	Engine Cowling	1	1		561 2017	561 2017	
15	Engine Console			1			512 0051
16	Washer	2	2		392 0022	392 0022	
17	Nut	2	2		402 0018	402 0018	
18	Washer	2	2		399 9007	399 9007	
	Washer		4	4			399 9015
19	Screw	2	2		300 5041	300 5041	
	Screw		4	4			300 9003
20	Bracket	1	1		512 0157	512 0157	
22	Rivet	3	3		390 4022	390 4022	
23	Air Duct	1	1		570 1228	570 1228	
23	Air Duct			1	570 1229	570 1229	
24	Retainer Ring	1	1		512 0156	512 0156	
24	Clip (Retainer Ring)			1	512 0154	512 0154	
25	Screw	1	1	1	320 1070	320 1070	
26	Nut	1	1	1	386 6013	386 6013	
27	N Clip			2	414 1760	414 1084	
28	Washer			1	399 9015	399 9015	
29	Screw			1	300 5000	300 5000	300 1001
30	Grommet		3	3			570 1503
30	Grommet		4	4			570 1216
37	Block Holder	1	1	1	512 0143	512 0143	
38	Washer	1	1	1	399 8007	399 8007	
39	Screw	1	1	1	300 1000	300 1000	
40	Engine Protector			1			512 0086
41	Clip		1	1			513 0053
42	Nut		1	1			386 6019
43	Washer		4	6	399 9082		

MUFFLER (VALMONT - ALPINE)

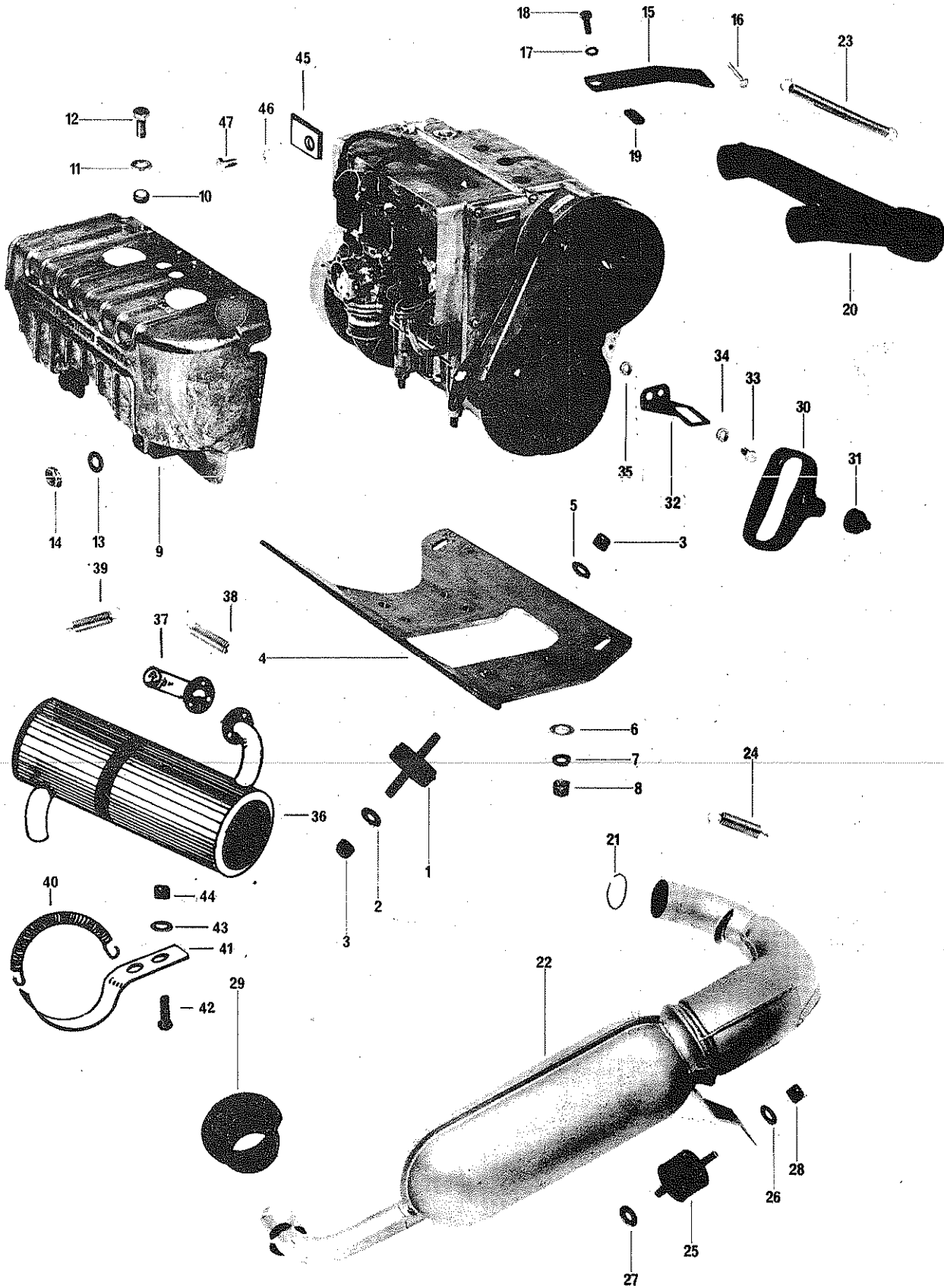


MUFFLER (VALMONT - ALPINE)
In 1974 Alpine 440ER - 640ER Only

1974

ITEM NO.	DESCRIPTION	QUANTITY			PART NO.		
		V434	A434	A640	1974	1973	1972
1	Muffler	1	1		402 2544	402 2544	
1	Muffler			1	402 2558	402 2558	
2	Exhaust Grommet	1	1	1	570 1225	570 1225	
3	Rivet	21	21	21	390 9017	390 9017	
4	Retainer Strip	1	1	1	517 0618	517 0618	
5	<input type="checkbox"/> Screw	1	1	1	320 1065	320 1072	
6	N Screw	2	2	2	300 5052	300 1050	
7	Cup	4	4	4	512 0122	512 0122	
8	N Bushing	2	2	2	512 0188	512 0121	
9	Spring	4	4	4	414 1090	414 1090	
10	Cup	4	4	4	512 0139	512 0139	
11	<input type="checkbox"/> Nut	2	2	2	386 9001	386 6022	
12	Retainer Bracket	1	1		512 0149	512 0149	
13	<input type="checkbox"/> Pad	1	1			570 1213	
14	Rivet	1	1		390 5015	390 5015	
15	<input type="checkbox"/> Screw	1	1			300 4041	
16	Spring	2	2		414 1120	414 1120	
16	Spring			2	414 1392	414 1392	
17	Muffler	1	1				402 2406
17	Muffler			1			402 2288
18	Clamp	2	2	1			414 1016
18	Clamp	1	1	3			414 1076
19	Washer	6	6	6			392 0022
20	Nut	6	6	6			380 9022
21	Muffler Bracket	2	2				512 0118
21	Muffler Bracket			2			512 0098
22	Screw	2	2	2			300 0041
23	Nut	2	2	2			389 8037
24	Distant Nut	1	1				402 2143
25	Spacer			2			512 0036
26	Washer	2	2	2			392 0022
27	Screw	2	2	2			300 4043
28	Exhaust Pipe	1	1	1			514 0037
29	Exhaust Grommet	1	1	1			570 1404
30	Nut	1	1	1	386 6013	386 6013	
31	<input type="checkbox"/> String (Mult 12'')	AR	AR	AR		414 1434	
31	<input type="checkbox"/> N Aluminium Ring		2	2	420 831 415		

ENGINE (T'NT - EVEREST)

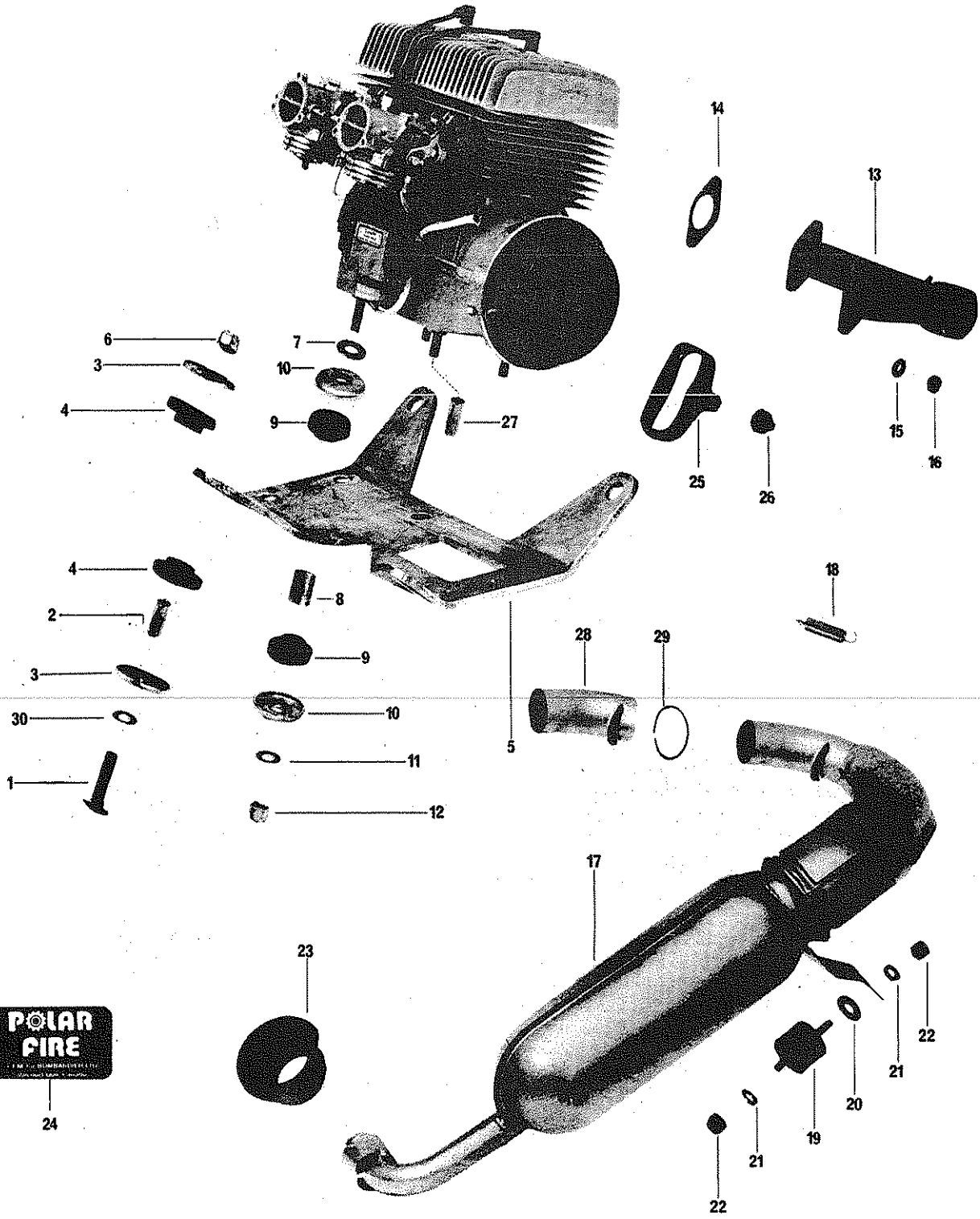


ENGINE (T'NT - EVEREST)

1974

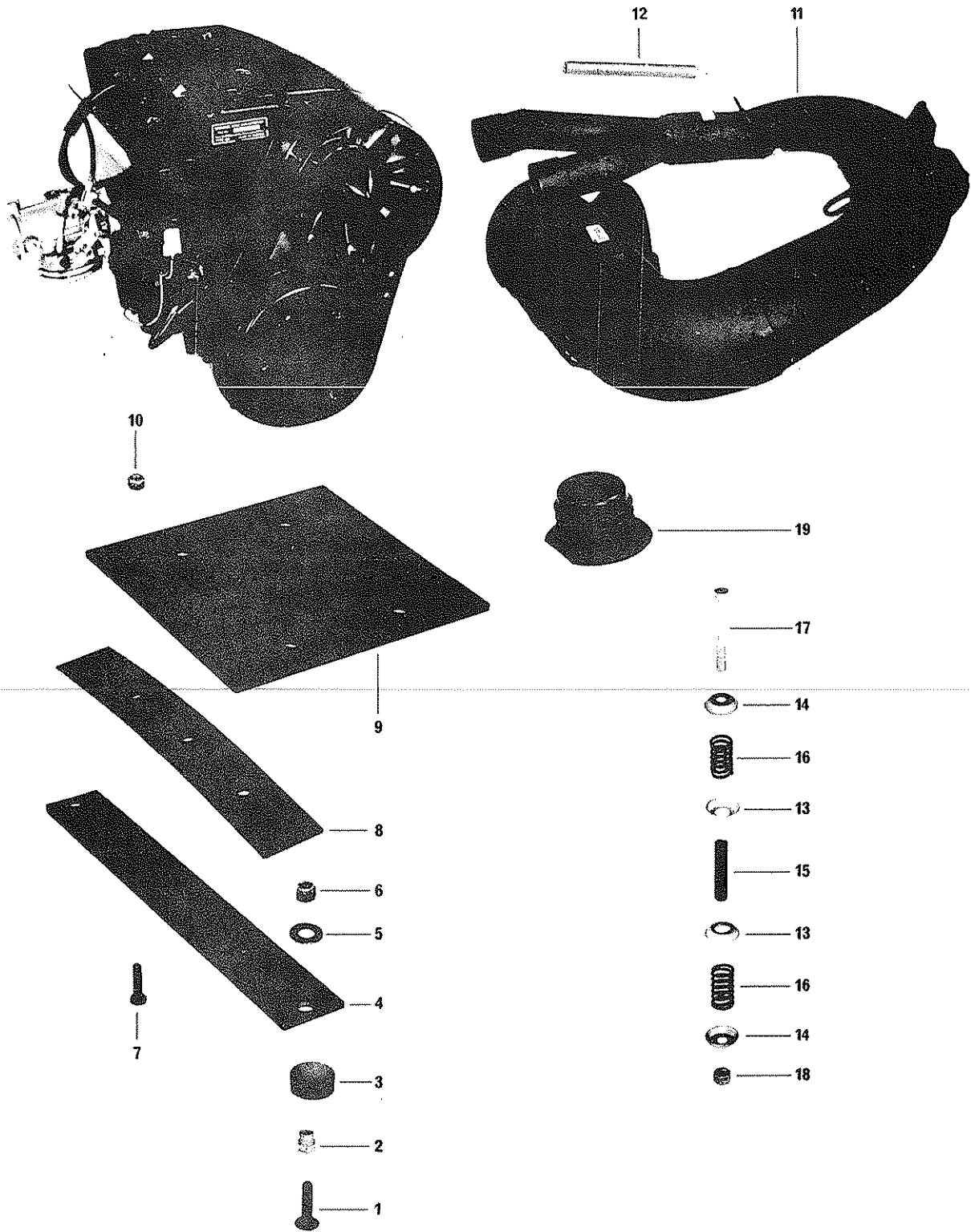
ITEM NO.	DESCRIPTION	QUANTITY				PART. NO.		
		294	343	440	EVT	1974		
1	N Motor Mount	4	4	4	4	570 1234		
2	Washer	4	4	4	4	392 0024		
3	N Nut	8	8	8	8	386 9006		
4	<input type="checkbox"/> N Engine Bracket	1				512 0206		
4	N Engine Bracket (Manuel)		1	1	1	512 0180		
4	N Engine Bracket (Electric)		1	1		512 0201		
5	Washer	4	4	4	4	399 9006		
6	Washer	4	4			399 9006		
6	Washer			4	4	399 9068		
7	Washer	4	4			402 0025		
7	Washer			4	4	402 1038		
8	Nut	4	4			402 0026		
8	Nut			4	4	402 1038		
9	N Engine Cowling			1	1	414 1786		
10	<input type="checkbox"/> Spacer			2	2	517 0152		
11	Washer			2	2	399 9007		
12	Screw			2	2	300 5043		
13	Washer			2	2	392 0022		
14	Nut			2	2	402 0018		
15	Retainer Bracket		1			512 0149		
16	Rivet		1			390 5015		
17	Washer		1			392 0022		
18	Screw		1			300 5041		
19	Pad		1			570 1213		
20	N Exhaust Manifold					420873990		
20	<input type="checkbox"/> N Exhaust Manifold			1	1	420873885		
21	N Aluminum Ring		2	2	2	420831415		
22	<input type="checkbox"/> N Muffler		1	1	1	420873898		
23	N Spring		2			414 1992		
24	N Spring		2	2	2	414 1993		
25	Rubber Shear Mount		2	2	2	570 1205		
26	N Isolating Washer		2	2	2	514 0042		
27	<input type="checkbox"/> Washer		3	3	3	399 9085		
28	<input type="checkbox"/> Nut		3	3	3	386 9001		
29	Exhaust		1	1	1	570 1406		
30	N Starter Grip	1	1	1	1	572 1208		
31	N Rubber Buffer	1	1	1	1	570 0319		
32	<input type="checkbox"/> Block Holder		1	1	1	512 0143		
32	<input type="checkbox"/> N Block Holder (Junction Box Bracket)	1				420853330		
32	<input type="checkbox"/> N Block Holder (Junction Box Bracket)		1	1	1	420853320		
33	<input type="checkbox"/> Screw	1	1	1	1	300 5003		
34	<input type="checkbox"/> Washer	1	1	1	1	399 9015		
35	<input type="checkbox"/> Nut	1	1	1	1	386 9003		
36	<input type="checkbox"/> N Muffler	1				414 2059		
37	<input type="checkbox"/> N Exhaust Pipe	1				414 2061		
38	<input type="checkbox"/> N Spring	2				414 2060		
39	<input type="checkbox"/> N Spring	2				414 2056		
40	<input type="checkbox"/> N Spring	2				414 2057		
41	<input type="checkbox"/> N Support Bracket	2				514 0043		
42	<input type="checkbox"/> Screw	4				300 5003		
43	<input type="checkbox"/> Washer	4				399 9015		
44	<input type="checkbox"/> Nut	4				386 9003		
45	<input type="checkbox"/> Bracket		1			572 0064		
46	<input type="checkbox"/> Washer		1			399 8007		
47	<input type="checkbox"/> Screw		1			300 5001		

ENGINE (T'NT F.A.)



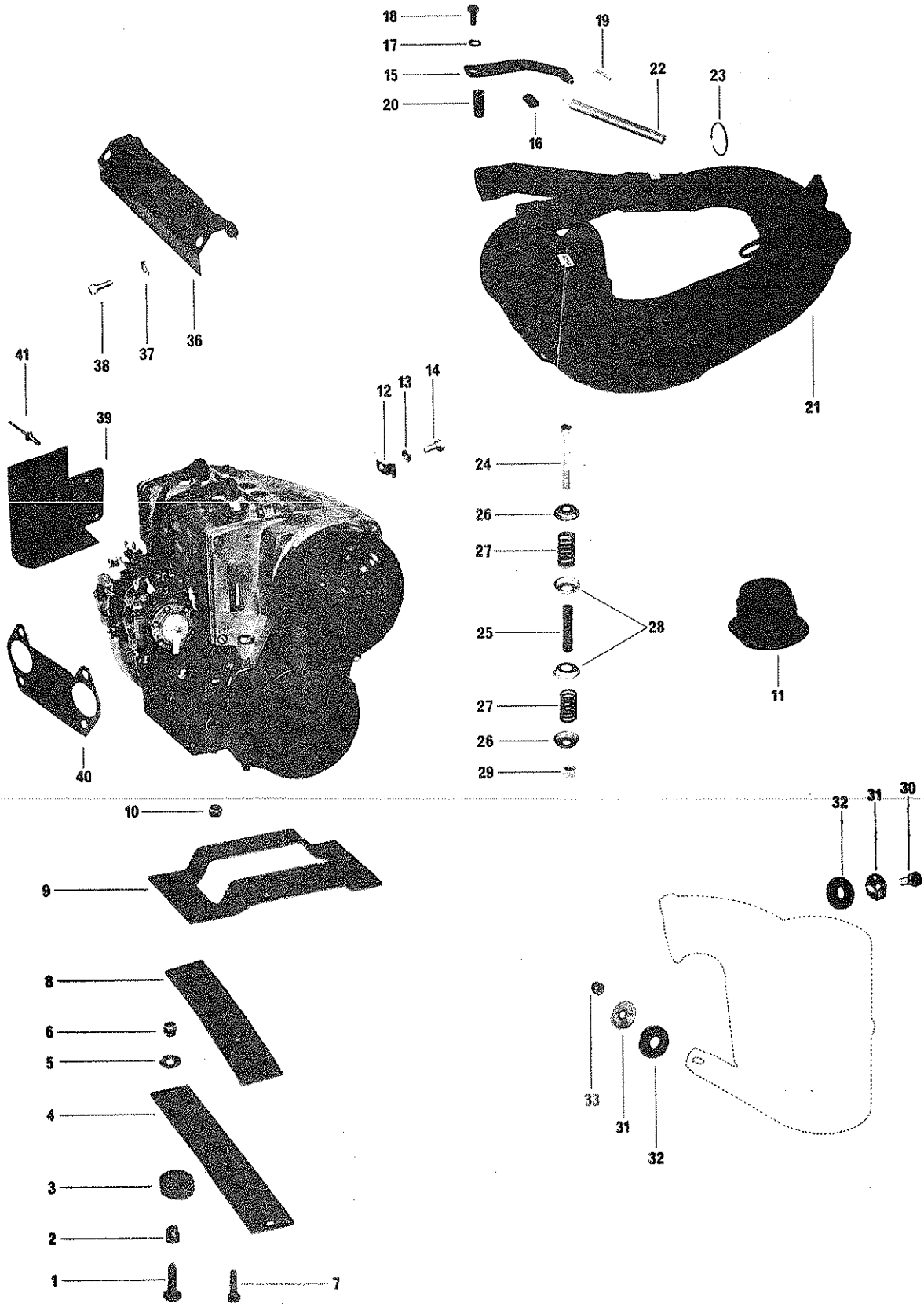
ITEM NO.	DESCRIPTION	QUANTITY			PART. NO.		
		346	396	436	1974	1973	1972
1	Bolt	4	4	4	360 8018	360 8018	
2	N Threaded Spacer Bushing	4	4	4	512 0193	512 0193	
3	Washer	8	8	8	512 0130	512 0130	
4	N Motor Support	8	8	8	570 1236	570 1210	
5	N Engine Support	1	1	1	512 0186	512 0186	
6	Nut	4	4	4	386 6024	386 6024	
7	N Spacer	4	4	4	512 0196		
8	N Sleeve	4	4	4	512 0194	512 0132	
9	N Motor Support	8	8	8	570 1236	570 1210	
10	Washer	8	8	8	512 0129	512 0129	
11	Washer	4	4	4	402 1038	402 1038	
12	Nut	4	4	4	402 0117	402 0117	
13□	Exhaust Manifold	1	1	1	420873417	402 2568	
14	Exhaust Gasket	2	2	2	402 2510	402 2510	
15	Lock Washer	4	4	4	402 0025	402 0025	
16	Nut	4	4	4	402 0026	402 0026	
17□	N Tuned Muffler	1	1		420873897	402 2569	
17□	N Tuned Muffler			1	420878070		
18	N Spring	2	2	2	414 2037	414 1102	
19	Rubber Shear Mount	2	2	2	570 1205	570 1205	
20	Isolating Washer	2	2	2	514 0042	392 0022	
21□	Washer	3	3	3	399 9085	399 9007	
22	Nut	3	3	3	385 8022	385 8022	
23	Exhaust Grommet	1	1	1	570 1407	570 1407	
24	Polar Fire Sticker	1	1	1	414 1649	414 1649	
25	N Starter Grip	1	1	1	572 1208	402 5019	
26	N Rubber Buffer	1	1	1	570 0319	402 5039	
27	Rubber Spacer	1	1			570 1233	
28□	N Inlet Elbow	1	1	1	420878040		
29□	N Aluminum Ring	4	4	4	420831425		
30□	N Washer	4	4	4	503 0329		

ENGINE (T'NT 400)



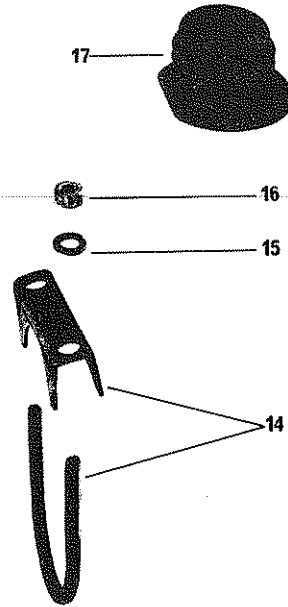
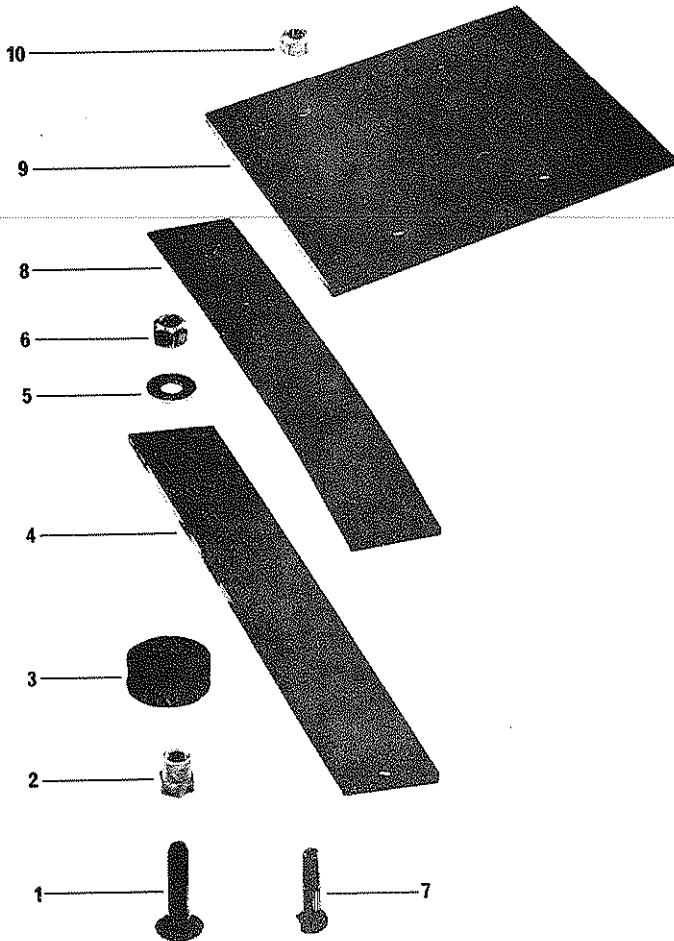
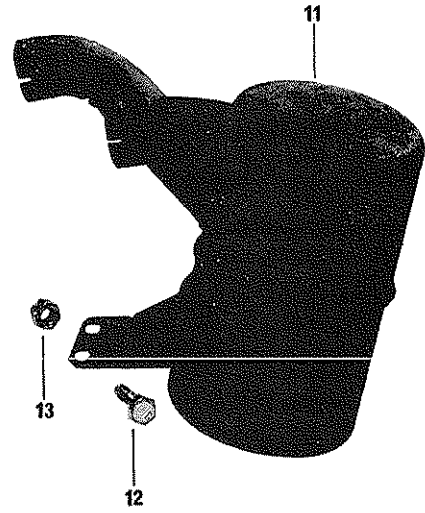
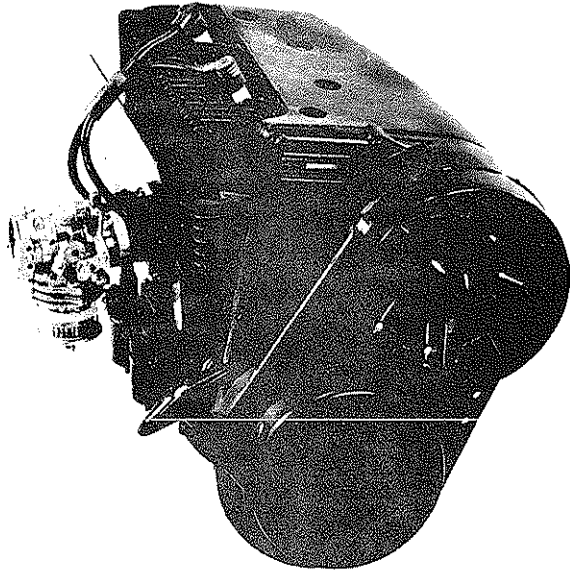
ITEM NO.	DESCRIPTION	QUANTITY		PART NO.		
		400		1972		
1	Carriage Bolt	4		360 8010		
2	Threaded Spacer Bushing	4		512 0011		
3	Insulator Rubber	4		570 1202		
4	Engine Support	2		512 0056		
5	Washer	4		399 9006		
6	Nut	4		386 6024		
7	Screw	6		309 8025		
8	Engine leaf spring	2		512 0057		
9	Engine Bracket	1		512 0106		
10	Nut	6		389 8037		
11	Tuned Muffler	1		402 2440		
12	Spring	2		414 1216		
13	Cup	6		512 0122		
14	Cup	6		512 0139		
15	Bushing	3		512 0121		
16	Spring	6		414 1090		
17	Screw	3		300 1050		
18	Nut	3		386 6022		
19	Exhaust Grommet	1		570 1406		

ENGINE (T'NT 15")



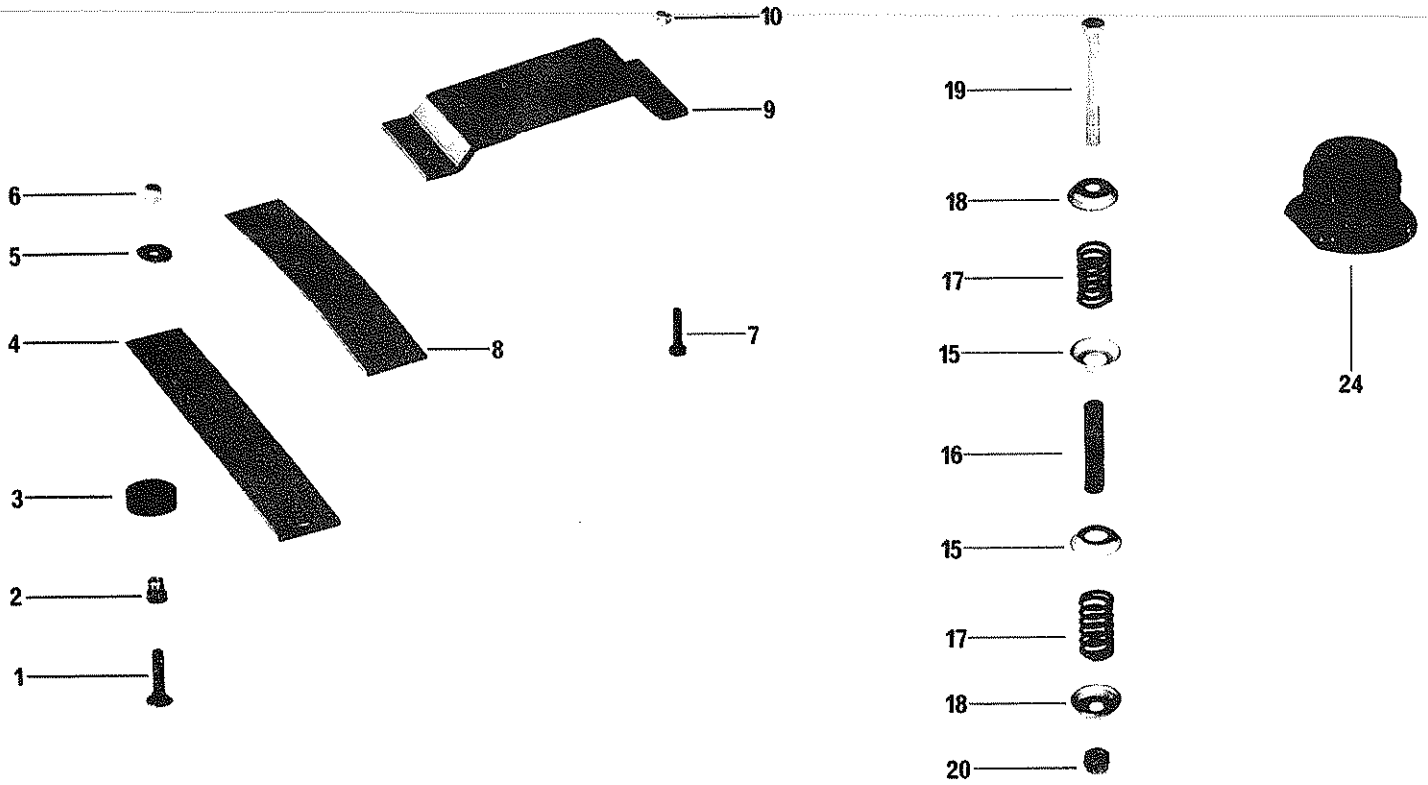
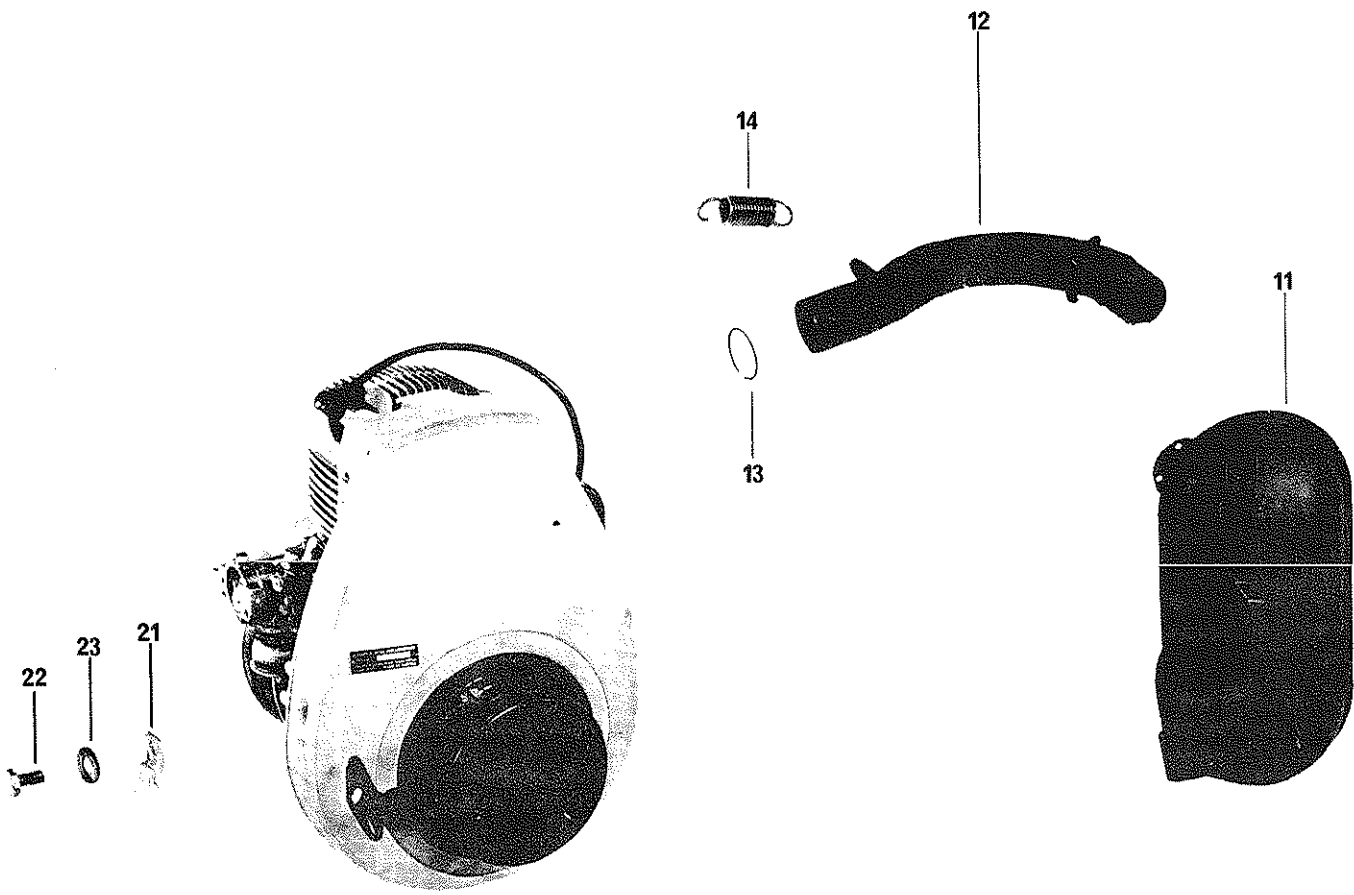
ITEM NO.	DESCRIPTION	QUANTITY			PART NO.	
		294	343	435	1973	1972
1	Carriage Bolt	4	4	4	360 8010	360 8010
2	Threaded Spacer Bushing	4	4	4	512 0011	512 0011
3	Insulator Rubber	4	4	4	570 1202	570 1202
4	Engine Support	2			512 0046	512 0012
4	Engine Support		2	2	512 0046	512 0046
5	Washer	4	4	4	399 9006	399 9006
6	Nut	4	4	4	386 6024	386 6024
7	Screw W/Knurling	4			309 8025	309 8012
7	Screw W/Knurling		4	4	309 8025	309 8025
8	Engine Leaf Spring	2			512 0047	512 0050
8	Engine Leaf Spring		2	2	512 0047	512 0047
9	Engine Bracket	1			512 0152	512 0017
9	Engine Bracket		1		512 0032	512 0032
9	Engine Bracket			1	512 0110	512 0110
10	Nut	4	4	4	389 8037	389 8037
11	Exhaust Grommet	1	1	1	570 1406	570 1406
12	Clip		1		414 1084	
12	Clip	3				513 0053
	Bracket		1			512 0064
13	Washer	2	1		399 8007	399 8007
14	Screw	1			300 5000	337 7100
14	Screw		1		300 5000	300 5001
15	Retainer Bracket		1	1	512 0149	512 0136
16	Pad		1	1	570 1213	570 1213
17	Washer		1	1	392 0022	399 8007
18	Screw		1	1	300 4041	300 4041
19	Rivet		1	1	390 5015	
20	Spacer		1	1		512 0036
21	Muffler	1			402 2537	402 2432
21	Muffler		1	1	402 2524	402 2440
22	Spring	2			414 1409	
22	Spring		2	2	414 1120	414 1120
23	String (Mult 12")	AR	AR	AR	414 1434	
24	Screw	3	3	3	300 1050	300 1050
25	Bushing	3	3	3	512 0121	512 0121
26	Cup	6	6	6	512 0139	512 0139
27	Spring	6	6	6	414 1090	414 1090
28	Cup	6	6	6	512 0122	512 0122
29	Nut	3	3	3	386 6022	386 6022
30	Screw	1				402 0231
31	Retainer Washer	1				503 0016
32	Rubber Washer	1				570 1212
33	Nut	1		2		402 0018
36	Engine Console			1		512 0137
37	Washer			2		399 9015
38	Screw			2		303 9003
39	Side Baffle	1		1	512 0166	
40	Rear Baffle	1			512 0167	
41	Rivet	2			390 4020	
	Grommet (for side baffle)	1			414 0363	

ENGINE (T'NT)



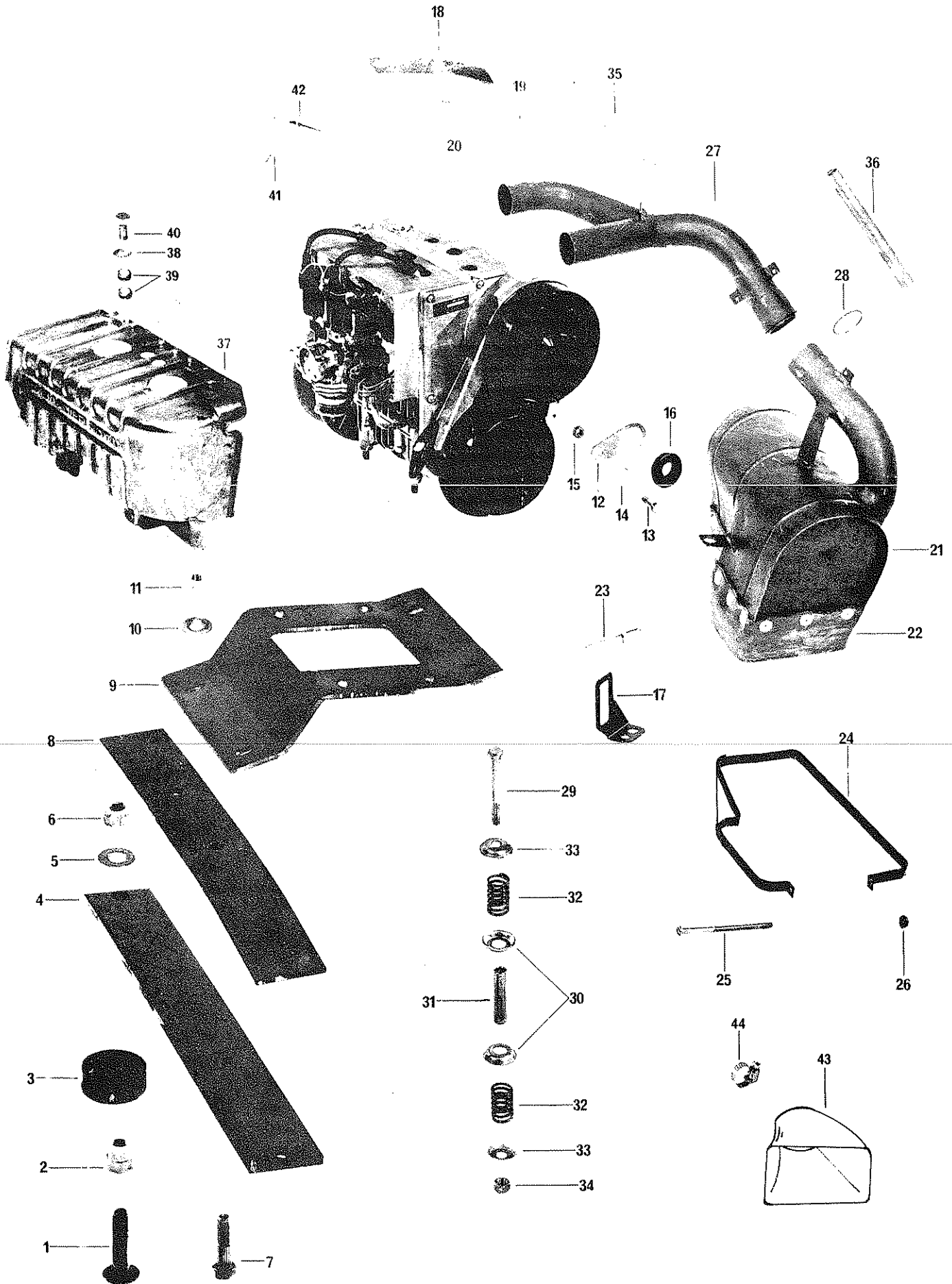
ITEM NO.	DESCRIPTION	QUANTITY		PART NO.	
		640	775	1972	
1	Carriage Bolt	4	4	360 8010	
2	Threaded Bushing	4	4	512 0011	
3	Insulator Rubber	4	4	570 1202	
4	Engine Support	2	2	512 0053	
5	Washer	4	4	399 9006	
6	Nut	4	4	386 6024	
7	Screw	6	6	309 8025	
8	Engine Leaf Spring	2	2	512 0054	
9	Engine Bracket	1	1	512 0037	
10	Nut	6	6	389 8037	
11	Muffler	1	1	402 2366	
12	Screw	2	2	300 1001	
13	Nut	2	2	387 2019	
14	Clamp	3	3	414 1076	
15	Washer	6	6	392 0022	
16	Nut	6	6	380 9022	
17	Exhaust Grommet	1	1	570 1407	

ENGINE (Skandic)



ITEM NO.	DESCRIPTION	QUANTITY		PART NO.		
		337		1973		
1	Bolt	4		360 8010		
2	Threaded Bushing	4		512 0011		
3	Insulator Rubber	4		570 1202		
4	Engine Support	2		512 0088		
5	Washer	4		399 9006		
6	Nut	4		386 6024		
7	Screw M/Knurling	4		309 8025		
8	Engine Leaf Spring	2		512 0089		
9	Engine Bracket	1		512 0017		
10	Nut	4		389 8037		
11	Muffler	1		402 2542		
12	Inlet Elbow	1		402 2541		
13	String (Mult 12")	AR		414 1434		
14	Spring	4		414 1391		
15	Cup	2		512 0122		
16	Bushing	1		512 0121		
17	Spring	2		414 1090		
18	Cup	2		512 0139		
19	Screw	1		300 1050		
20	Nut	1		386 6022		
21	Clip	1		513 0053		
22	Screw	1		402 2001		
23	Washer	1		392 0022		
24	Exhaust Grommet	1		570 1406		

ENGINE (ELITE)



ITEM NO.	DESCRIPTION	QTY	PART NO.	
			1974	1973
1	Carriage Bolt	4	360 8010	360 8010
2	Threaded Spacer Bushing	4	512 0011	512 0011
3	Insulator Rubber	4	570 1202	570 1202
4	Engine Support	2	512 0069	512 0031
5	Washer	4	399 9006	399 9006
6	Nut	4	386 6024	386 6024
7	Screw	4	309 8025	309 8025
8	Engine Leaf Spring	2	512 0070	512 0045
9	N Engine Bracket	1	512 0200	512 0168
10	Washer	4	399 9007	399 9007
11	Nut	4	389 8086	389 8037
12	Bracket	1	512 0147	512 0147
13	Screw	1	300 1003	300 1003
14	Washer	2	399 8010	399 8010
15	Nut	1	386 6019	386 6019
16	Grommet	1	570 1794	570 1794
17	Block Holder	1	512 0143	512 0143
18	Retainer Bracket	1	512 0149	512 0149
19	Rivet	1	390 5015	390 5015
20	Pad	1		570 1213
21	N Muffler	1	420 878 080	402 2598
22	N Exhaust Grommet	1	570 1409	570 1225
23	Rivet	20	390 9017	390 9017
24	Retainer Strip	1	517 0690	517 0690
25	Screw	1	320 1066	320 1066
26	Nut	1	386 6013	386 6013
27	N Exhaust Manifold	1	420 878 090	402 2599
28	N Aluminium Ring	4	420 831 415	
28	String (Mult 12")	AR		414 1434
29	Screw	2	300 5052	300 1050
30	Cup	4	512 0122	512 0122
31	N Bushing	2	512 0188	512 0121
32	Spring	4	414 1090	414 1090
33	Cup	4	512 0139	512 0139
34	Nut	2	386 9001	386 6022
35	Spring (5 3/4")	2	414 1120	414 1120
36	Spring (3")	2	414 1392	414 1392
37	N Engine Cowling	1	561 2021	
38	Washer	4	399 9037	
39	Washer	2	399 8012	
40	Screw	2	300 5043	
41	Air Duct Bracket	1	512 0157	
42	Rivet	3	390 4022	
43	N Air Duct	1	571 2776	
44	Clamp	1	408 8001	



SECTION

CRANKCASE – COWL

Crankcase
Fan Cowl 1 Cyl.

Crankcase
Fan Housing
Cylinder Cowls 2 Cyl.
Fan
V-Belt

On 1 Cyl.: Crankcase and fan cowl are illustrated
on the same page

On 2 Cyl.: The crankcase is followed by
fan housing, cylinder cowls, fan and V-belt,
for each group of engine.

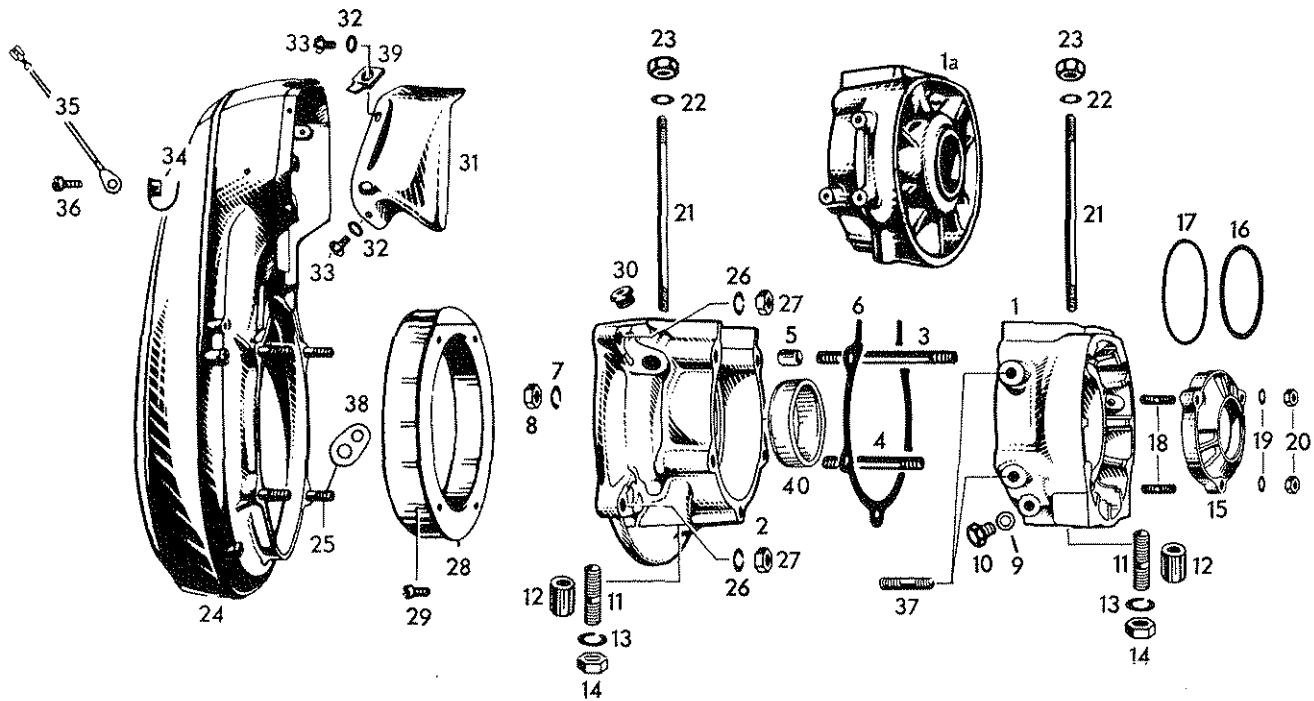
248-249-294: Crankcase, cylinders and cylinder heads
are on same page

Engine Group

1.* 247/247E - 302 - 337	1 Cylinder
2. 292 - 342	1 Cylinder in '72-'71 For 292, in '71 Only For 342
3. 248 - 249 - 294	2 Cylinder
4. 338/338E - 343 - 401/401E - 640E	2 Cylinder
5. 434 - 435	2 Cylinder

* The fan cowl ass'y on electric models is different from manual.

CRANKCASE, FAN COWL
292 in 72 Only—337 in 73-72 Only



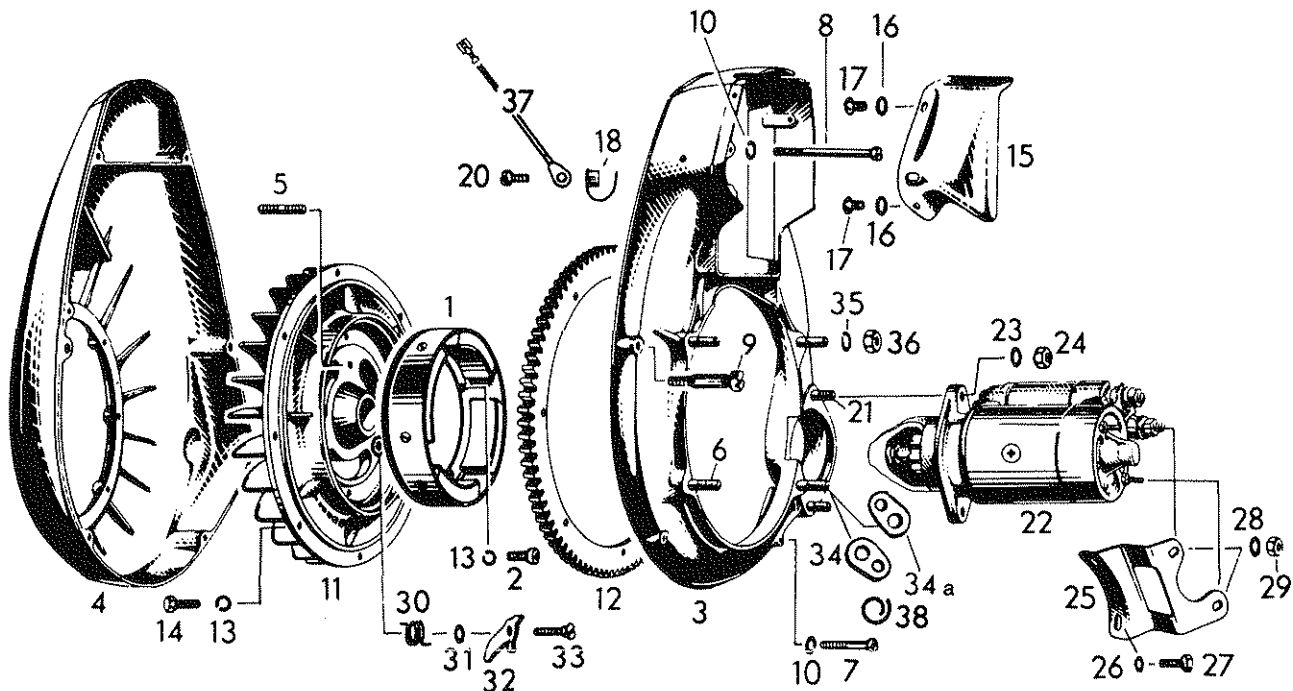
ITEM NO.	DESCRIPTION	QUANTITY				PART NO.		
		247	292	302	337	1974	1973	1972
1A-2-3 4-5-40	Crankcase Ass'y (Eng. No. Up To 215 5500 in 73).....	1					420 993 085 402 0283	420 985 040 402 0166
1A-2-3 4-5-40	Crankcase Ass'y (Eng. No. From 215 5501 in 73).....	1				420 992 842 402 0284	420 992 842 402 0284	
1A-2-3 4-5-40	Crankcase Ass'y, Elect. (Eng. No. Up To 236 6617 in 73)	1					420 993 085 402 0283	420 985 045 402 0140
1A-2-3 4-5-40	Crankcase Ass'y, Elect. (Eng. No. From 236 6618 in 73)	1				420 492 842 802 0284	420 992 842 402 0284	
1A-2-3	Crankcase Ass'y (Eng. No. Up To 243 0400 Except for 215 6942			1			420 993 085 402 0203	420 985 040 402 0166
4-5-40 1A-2-3 4-5-40	To 215 7000 And 215 6919 To 215 6922 in 73)..... Crankcase Ass'y (Eng. No. From 243 041 Plus 215 6942 To 215 7000 And 215 6919 To 215 6922 in 73).....			1		420 992 842 402 0284	420 992 842 402 0284	
1-2-3 4-5	Crankcase Ass'y.....		1					420 985 834 402 0222
1-2-3 4-5	Crankcase Ass'y, Manual.....				1		420 985 834 402 0222	420 985 830 402 0221
1-2-3 4-5	Crankcase Ass'y, Electric.....				1			420 985 834 402 0222
3	Stud M8 x 56.....	2	2	2	2	420 940 770 402 0004	420 940 770 402 0007	420 940 770 402 0007
4	Stud M8 x 46.....	3	3	3	3	420 940 670 402 0009	420 940 670 402 0009	420 940 670 402 0009
5	Dowel Tube 10 Dia. x 15.....	2	2	2	2	420 929 260 402 1015	420 929 260 402 1015	420 929 260 402 1015
6	Gasket, Crankcase.....	1	1	1	1	420 930 600 402 0014	420 930 600 402 0014	420 930 600 402 0014
7	Lock Washer 8.....	5	5	5	5	420 945 752 402 0016	420 945 752 402 0016	420 945 752 402 0016
8	Hex. Nut M8.....	5	5	5	5	420 242 201 402 0018	420 242 201 402 0018	420 242 201 402 0018
9	Sealing Ring (in 1973 on 337 Only).....	1	1	1	1		420 950 141 402 0019	420 950 141 402 0019
10	Oil Drain Screw M8 x 9 (in 1973 on 337 Only).....	1	1	1	1		420 940 251 402 0020	420 940 251 402 0020
11	Stud M10 x 42.....	4	4	4	4	420 940 700 402 0023	420 940 700 402 0023	420 940 700 402 0023
12	Distance Sleeve.....	4	4	4	4	420 947 800 402 0091	420 947 800 402 0091	420 947 800 402 0091
13	Lock Washer 10.....	4	4	4	4	420 945 753 402 0025	420 945 753 402 0025	420 945 753 402 0025
14	Hex. Nut M10.....	4	4	4	4	420 242 090 402 0026	420 242 090 402 0026	420 242 090 402 0026

CRANKCASE, FAN COWL
292 in 72 Only—337 in 73-72 Only

1974

ITEM NO.	DESCRIPTION	QUANTITY				PART NO.		
		247	292	302	337	1974	1973	1972
15-16-17	Bearing Cover W/"O" Ring.....		1		1		420 911 519 402 0207	420 911 519 402 0207
16	"O" Ring.....		1		1		420 830 380 402 0112	420 830 380 402 0112
17	"O" Ring.....		1		1		420 830 680 402 0208	420 830 680 402 0208
18	Stud M6 x 18.....		3		3		420 941 160 402 0047	420 941 160 402 0047
19	Lock Washer 6.....		3		3		420 945 751 402 0015	420 945 751 402 0015
20	Hex. Nut M6.....		3		3		420 242 211 402 2053	420 242 211 402 2053
21	Stud M8 x 171.....	4	4	4	4	420 940 050 402 0076	420 940 050 402 0076	420 940 050 402 0076
22	Washer 8.4.....	4	4	4	4	420 250 311 402 0031	420 250 311 402 0031	420 250 311 402 0031
23	Hex. Nut M8.....	4	4	4	4	420 742 201 402 0018	420 742 201 402 0018	420 742 201 402 0018
24-25	Fan Cowl Ass'y.....	1	1	1	1	420 984 592 402 0237	420 984 592 402 0237	420 984 592 402 0237
25	Stud M8 x 23.....	3	3	3	3	420 940 360 402 0030	420 930 360 402 0030	420 940 360 402 0030
25	Stud M8 x 34 (Muffler).....	1	1	1	1	420 840 300 402 2141	420 840 300 402 2141	420 840 300 402 2141
26	Lock Washer.....	4	4	4	4	420 945 752 402 0016	420 945 752 402 0016	420 945 752 402 0016
27	Hex. Nut M8.....	4	4	4	4	420 242 201 402 0018	420 242 201 402 0018	420 242 201 402 0018
28	Labyrinth Ring.....	1	1	1	1	420 927 826 402 0141	420 927 826 402 0141	420 927 826 402 0141
29	Cyl. Screw M6 x 10.....	4	4	4	4	420 941 990 402 0040	420 941 990 402 0040	420 941 990 402 0040
30	Cable Grommet.....	1		1	1	420 960 315 402 0278	420 960 315 402 0278	420 960 315 402 0028
30	Cable Grommet (292 And Electric Engine).....	1	1		1			420 960 450 402 4157
31	Air Deflector.....	1	1	1	1	420 975 535 402 0094	420 975 535 402 0094	420 975 535 402 0094
31	Air Deflector H.A.....				1		420 975 537 402 0242	420 975 537 402 0242
32	Spring Washer B5.....	2	2	2	2	420 945 990 402 3037	420 945 990 402 3037	420 945 990 402 3037
33	Flat Headed Screw M5 x 8.....	2	2	2	2	420 840 021 402 5045	420 840 021 402 5045	420 840 021 402 5045
34	Cable Champ.....	1	1	1	1	420 953 720 402 0061	420 953 720 402 0061	420 953 720 402 0061
35	Mass Cable Yellow 265 MM.....	1	1	1	1		420 964 103 402 0213	420 964 103 402 0213
36	Cyl. Screw M3 x 16.....	1	1	1	1	420 241 291 402 0057	420 241 291 402 0057	420 241 291 402 0057
37	Stud M8 x 13.....		2		2		420 840 600 402 0212	420 840 600 402 0212
38	Spring Bracket.....	1		1	1	420 853 150 402 0214	420 853 150 402 0214	420 853 150 402 0214
39	Connector.....	1		1	1		420 864 950 402 4349	420 864 950 402 4349
40	Polyamid Ring.....	2		2		420 960 765 402 0285	420 960 765 402 0285	

ELECTRIC STARTER, FAN COWL, FAN
337 in 72 Only



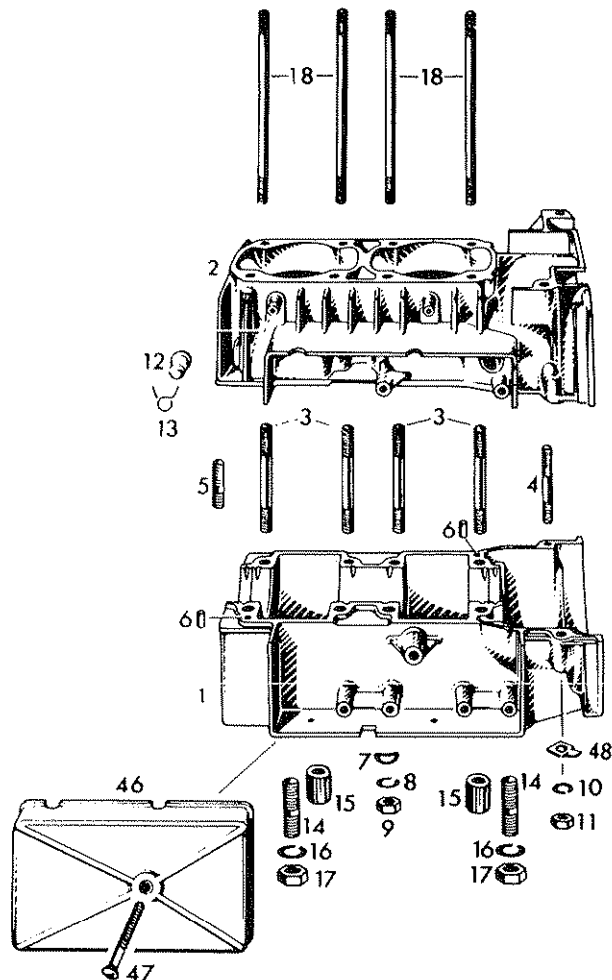
ITEM NO.	DESCRIPTION	QUANTITY		PART NO.		
		247E	237E	1974	1973	1972
1	Magneto Ring.....	1	1	420 983 864	420 983 864	420 983 864
2	Cyl. Screw W/Int. Hex. M6 x 14.....	4	4	402 4167 420 840 390 402 2208	402 4167 420 840 390 402 2208	402 4167 420 840 390 402 2208
3-4 6-10	Fan Cowl Ass'y.....	1	1	420 984 596	420 984 596	420 984 596
3	Fan Cowl.....	1	1	402 0143 420 911 606 402 0144	402 0143 420 911 606 402 0144	402 0143 420 911 606 402 0144
4	Cover, Fan Cowl.....	1	1	420 911 615 402 0099	420 911 615 402 0099	420 911 615 402 0099
5	Stud M6 x 15, Starting Pulley.....	2	2	420 240 750 402 4089	420 240 750 402 4089	420 240 750 402 4089
6	Stud M8 x 23.....	3	3	420 940 360 402 0030	420 940 360 402 0030	420 940 360 402 0030
6	Stud M8 x 34, Muffler.....	1	1	420 840 300 402 2141	420 840 300 402 2141	420 840 300 402 2141
7	Cyl. Screw M6 x 28.....	3	3	420 241 196 402 0069	420 241 196 402 0069	420 241 196 402 0069
8	Cyl. Screw M6 x 73.....	1	1	420 241 571 402 0145	420 241 571 402 0145	420 241 571 402 0145
9	Hex. Fit Bolt M6.....	2	2	420 941 910 402 0070	420 941 910 402 0070	420 941 910 402 0070
10	Lock Washer 6.....	4	4	420 945 751 402 0015	420 945 751 402 0015	420 945 751 402 0015
11	Fan Ass'y.....	1	1	420 864 100 402 0102	420 864 100 402 0102	420 864 100 402 0102
12	Gear Wheel 101 T.....	1	1	420 935 660 402 4011	420 935 660 402 4011	420 935 660 402 4011
13	Lock Washer 6, Gear Wheel.....	8	8	420 945 751 402 0015	420 945 751 402 0015	420 945 751 402 0015
13	Lock Washer 6, Magneto Ring.....	4	4	420 945 751 402 0015	420 945 751 402 0015	420 945 751 402 0015
14	Hex. Screw M6 x 14.....	8	8	420 241 185 402 5012	420 241 185 402 5012	420 241 185 402 5012
15	Air Deflector.....	1	1	420 975 535 402 0094	420 975 535 402 0094	420 975 535 402 0094
16	Spring Washer B5.....	2	2	420 945 990 402 3037	420 945 990 402 3037	420 945 990 402 3037
17	Flat Headed Screw M5 x 8.....	2	2	420 840 021 402 5045	420 840 021 402 5045	420 840 021 402 5045
18	Cable Clamp.....	1	1	420 953 720 402 0061	420 953 720 402 0061	420 953 720 402 0061

**ELECTRIC STARTER, FAN COWL, FAN
337 in 72 Only**

1974

ITEM NO.	DESCRIPTION	QUANTITY		PART NO.		
		247E	337E	1974	1973	1972
20	Cyl. Screw M3 x 16	2	2	420 241 291 402 0057	420 241 291 402 0057	420 241 291 402 0057
21	Stud M8 x 18	2	2	420 941 720 402 2003	420 941 720 402 2003	420 941 720 402 2003
22	Electric Starter Ass'y (Mitsubishi).....	1	1	410 2001	410 2001	410 2001
23	Lock Washer	2	2	420 945 752 402 0016	420 945 752 402 0016	420 945 752 402 0016
24	Hex. Nut M8	2	2	420 942 671 402 2041	420 942 671 402 2041	420 942 671 402 2041
25	Starter Bracket	1	1	420 853 900 402 0103	420 953 900 402 0103	420 953 900 402 0103
26	Washer 6.2.....	2	2	420 244 210 402 0104	420 244 210 402 0104	420 244 210 402 0104
27	Hex. Screw M6 x 16	2	2	420 241 185 402 5012	420 241 185 402 5012	420 241 185 402 5012
28	Washer 5.3.....	2	2	420 244 542 402 4022	420 244 542 402 4022	420 244 542 402 4022
29	Hex. Nut M5	2	2	420 842 030 402 0105	420 842 030 402 0105	420 842 030 402 0105
30	Spring, Centrifugal Weight	1	1	420 938 400 402 4096	420 938 400 402 4096	420 938 400 402 4096
31	Washer 6.2.....	1	1	420 927 940 402 7001	420 927 940 402 7001	420 927 940 402 7001
32	Centrifugal Weight.....	1	1	420 964 944 402 0146	420 964 944 402 0146	420 964 944 402 0146
33	Bearing Screw M6.....	1	1	420 941 360 402 4094	420 941 360 402 4094	420 941 360 402 4094
34	Spring Bracket.....	1		420 853 150 402 0214	420 853 150 402 0214	420 853 150 402 0214
24A	Spring Bracket.....		1			420 853 150 402 0214
35	Lock Washer 8	4	4	420 945 752 402 0016	420 945 752 402 0016	420 945 752 402 0016
36	Retainer Washer (Muffler).....	1	1			503 0016
36	Hex. Nut M8	4	4	420 242 201 402 0018	420 242 201 402 0018	420 242 201 402 0018
37	Mass. Cable Ass'y Yellow 265 MM.	1	1		420 964 103 402 0213	420 964 103 402 0213
38	Spring Retainer Washer.....	1		420 938 670 402 7082	420 938 670 402 7082	420 938 670 402 7082

**CRANKCASE
249 in 73 Only**



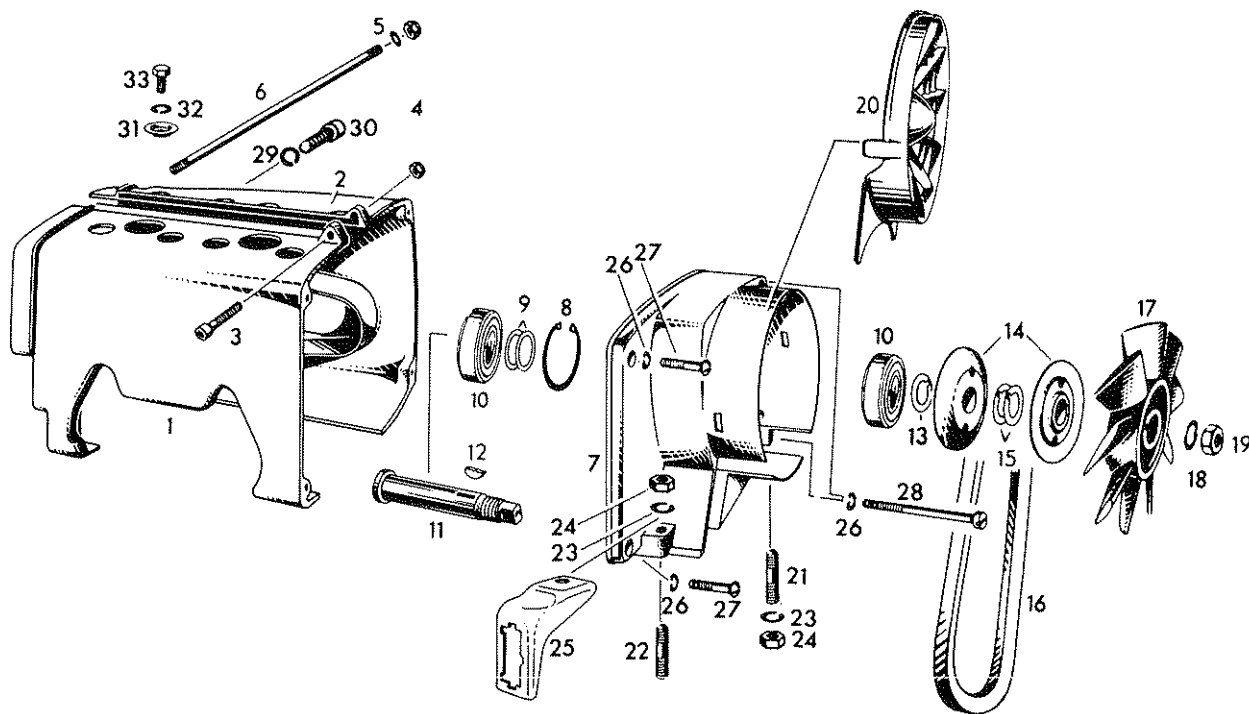
ITEM NO.	DESCRIPTION	QUANTITY			PART NO.	
		248	249	294	1974	1973
1 to 4-6	Crankcase Ass'y	1	1		420 992 715	420 992 715
8-10					402 0317	402 0317
11-12					420 993 380	420 992 715
1 to 5	N Crankcase Ass'y			1	420 993 380	402 0317
8-10					420 940 780	420 940 770
3	N Stud M8 x 57	8	8	8	420 940 780	402 0007
4	Stud M6	2	2	2	420 941 140	420 941 140
5	Stud M8 x 30			2	402 0306	402 0306
6	Dowel Pin 5 Dia. x 10 (Qty. Was 2 On 294 In 73).....	2	2	1	420 240 600	
7	Spring Washer B8	8		10	402 2022	
8	Lock Washer 8 (Qty. Was 8 On 294 In 73).....	8	8	10	420 929 650	420 929 650
9	Hex. Nut M8 (Qty. Was 8 On 294 In 73).....	8	8	10	402 0161	402 0161
10	Lock Washer 6	2	2	2	420 845 030	
11	Hex. Nut M6	2	2	2	402 0125	
12	Closure Cap For Impulse Point.....	1			420 945 752	420 945 752
13	Clamp For Closure Cap	1			402 0016	402 0016
14	N Stud M10 x 33 (For T'NT Only).....			4	420 242 201	420 242 201
14	Stud M10 x 18	4	4	4	402 0018	402 0018
15	N Distance Sleeve 15mm (For T'NT Only).....			4	420 945 751	420 945 751
					402 0015	402 0015
					420 242 211	420 242 211
					402 2053	402 2053
					420 960 770	420 960 770
					402 2597	402 2597
					420 938 190	420 938 190
					402 2403	402 2403
					420 840 010	
					420 840 290	420 840 290
					402 0153	402 0153
					420 847 160	

**CRANKCASE
249 in 73 Only**

1974

ITEM NO.	DESCRIPTION	QUANTITY			PART NO.	
		248	249	294	1974	1973
16	Lock Washer 10	4	4	4	420 945 753 402 0025	420 945 753 402 0025
17	Hex. Nut M10	4	4	4	420 242 090 402 0026	420 242 090 402 0026
18	Stud M8, Cylinder.....	8	8	8	420 840 840 402 2588	420 840 840 402 2588
46	Ignition Box Cover.....	1	1	1	420 853 270 402 4425	420 853 270 402 4425
47	Countersunt Screw M6 x 50.....	1	1	1	420 840 570 402 4205	420 840 570 402 4205
48	Connector.....	1	1	1		420 864 955 402 4447

CYLINDER COWLS, FAN HOUSING, FAN, V-BELT
249 in 73 Only



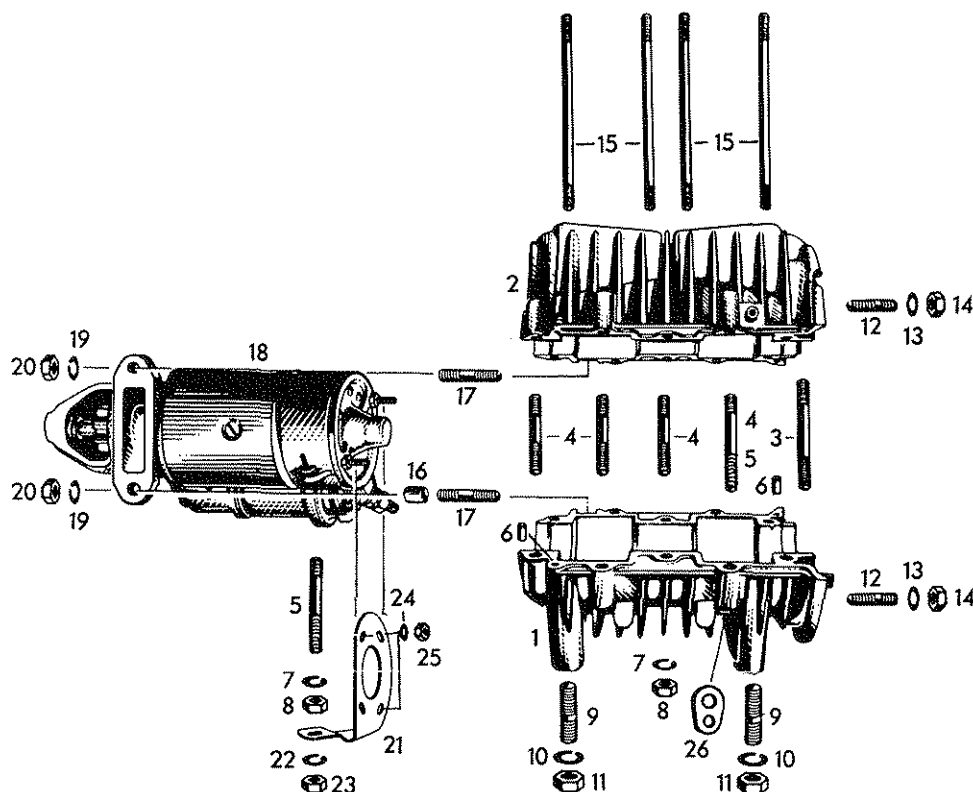
ITEM NO.	DESCRIPTION	QUANTITY			PART NO.		
		248	249	294	1974	1973	1972
1	Cylinder Cowl Left	1	1	1	420 912 350	420 912 350	
2	Cylinder Cowl Right.....	1	1	1	402 0302	402 0302	
3	Cyl. Screw M6 x 30	1	1	1	420 912 360	420 912 360	
4	Lock Nut M6	3	3	3	402 0303	402 0303	
5	Washer 6.2.....	2	2	2	420 840 880	420 840 880	
6	Stud M6.....	2	2	2	402 2556	402 2556	
7	Fan Housing.....	1	1	1	420 942 040	420 842 040	
8	Locking Ring	1	1	1	402 2169	402 2104	
9	Shim 1MM.....	2	2	2	420 927 946	420 927 946	
10	Ball Bearing.....	2	2	2	402 0304	402 0304	
11	Fan Shaft.....	1	1	1	420 840 850	420 840 850	
12	Woodruff Key 3 x 5.....	1	1	1	402 0296	402 0296	
13	Shim.....	AR	AR	AR	420 912 340	420 912 340	
14	Pulley Half.....	2	2	2	402 0301	402 0301	
15	Shim.....	5	5	5	420 945 880	420 945 880	
16	V-Belt	1	1	1	402 0309	402 0309	
17	Fan.....	1	1	1	420 244 585	420 244 585	
18	Locking Washer 16	1	1	1	402 0271	402 0271	
19	Hex. Nut M16 x 1.5	1	1	1	420 832 160	420 832 160	
20	Fan Cover	1	1	1	402 0294	402 0294	
21	Stud M8 x 19.5.....	1	1	1	420 937 880	420 937 880	
					402 0305	402 0305	
					420 246 011	420 246 011	
					402 1009	402 1009	
					420 827 080	420 827 080	
					402 0129	402 0129	
					420 980 420	420 980 420	
					402 0163	402 0163	
					420 827 080	420 827 080	
					402 0129	402 0129	
					420 980 450	420 980 450	
					402 0314	402 0314	
					420 865 280	420 865 280	
					402 0297	402 0297	
					420 945 920	420 945 920	
					402 0310	402 0310	
					420 942 285	420 942 285	
					402 0308	402 0308	
					420 975 640	420 975 640	
					402 0312	402 0312	
					420 940 170	420 940 170	
					402 2037	402 2037	

**CYLINDER COWLS, FAN HOUSING, FAN, V-BELT
249 in 73 Only**

1974

ITEM NO.	DESCRIPTION	QUANTITY			PART NO.		
		248	249	294	1974	1973	1972
22	Stud M8 x 32 (M8 x 28 In 73).....	1	1	1	420 941 770	420 941 750	
					402 2618	402 0307	
23	Lock Washer 8.....	2	2	2	420 945 752	420 945 752	
					402 0016	402 0016	
24	Hex. Nut M8.....	2	2	2	420 242 201	420 242 201	
					402 0018	402 0018	
25	N Junction Box Bracket.....	1		1	420 853 330		
26	Lock Washer 6.....	4	4	4	420 945 751	420 945 751	
					402 0015	402 0015	
27	Cyl. Screw M6 x 20.....	2	2	2	420 240 591	420 240 591	
					402 0068	402 0068	
28	Cyl. Screw M6 x 60.....	2	2	2	420 840 870	420 840 870	
					402 2590	402 2590	
29	Spring Washer B6.....	1	1	1	420 845 020	420 945 751	
					402 0133	402 0015	
30	Cyl. Screw M6 x 28.....	1	1	1	420 241 196	420 241 196	
					402 0069	402 0069	
31	N Cowl Cover.....	1		1	420 827 145		
32	Lock Washer 8.....	1		1	420 945 752		
					402 0016		
33	Hex. Screw 5/16" x 15.....	1		1	420 840 285		
					402 0186		

CRANKCASE, ELECTRIC STARTER



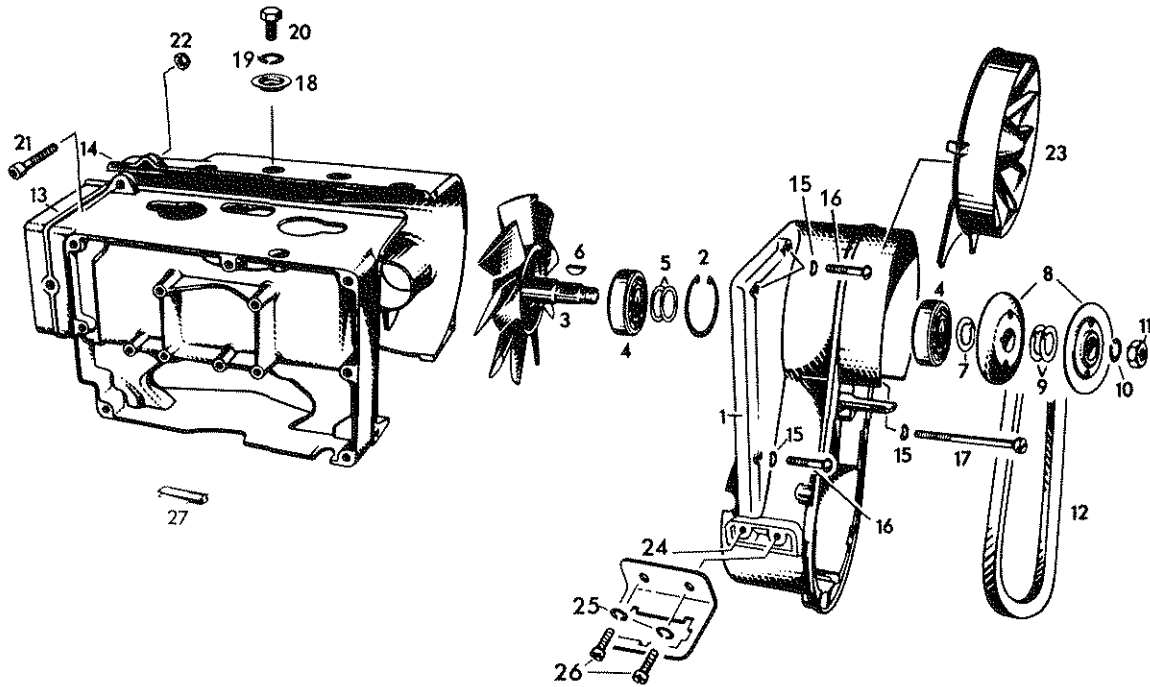
ITEM NO.	DESCRIPTION	QUANTITY			PART NO.		
		338	343	401	1974	1973	1972
1 to 8	Crankcase Ass'y	1	1		420 984 916 402 0286	420 984 916 402 0286	420 984 915 402 0218
1 to 8	Crankcase Ass'y Eng. No. Up To 220 0300 In 73.....			1		420 984 915 402 0218	420 984 915 402 0218
1 to 8	Crankcase Ass'y Eng. No. From 220 0301			1	420 984 916 402 0286	420 984 916 402 0286	
3	Stud M8 x 56.....	2	2	2	420 940 770 402 0007	420 940 770 402 0007	420 940 770 402 0007
4	Stud M8 x 37.....	7	7	7	420 940 300 402 0123	420 940 300 402 0123	420 940 300 402 0123
5	Stud M8 x 46.....	1	1	1	420 940 670 402 0009	420 940 670 402 0009	420 940 670 402 0009
6	Dowel Pin 5 Dia. x 10.....	2	2	2	420 929 650 402 0161	420 929 650 402 0161	420 929 650 402 0161
7	Lock Washer 8	10	10	10	420 945 752 402 0016	420 945 752 402 0016	420 945 752 402 0016
8	Hex. Nut M8	10	10	10	420 242 201 402 0018	420 242 201 402 0018	420 242 201 402 0018
9	Stud M10 x 18.....	4	4	4	420 840 290 402 0153	420 840 290 402 0153	420 840 290 402 0153
10	Lock Washer 10.....	4	4	4	420 945 755 402 0025	420 945 753 402 0025	420 945 753 402 0025
11	Hex. Nut M10	4	4	4	420 242 090 402 0026	420 242 090 402 0026	420 242 090 402 0026
12	Stud M8 x 16.....	4	4	4	420 941 600 402 0115	420 941 600 402 0115	420 941 600 402 0115
13	Locking Washer 8	4	4	4	420 845 085 402 1311	420 845 085 402 1311	420 845 085 402 1311
14	Hex. Nut M8	4	4	4	420 242 201 402 0018	420 242 201 402 0018	420 242 201 402 0018
15	Stud M8.....	8	8	8	420 941 380 402 2160	420 941 380 402 2160	420 941 380 402 2160
16	Dowel Tube 10 Dia. x 13, Electric Starter	1	1	1	420 929 670 402 7059	420 929 670 402 7059	420 929 670 402 7059
17	Stud M8 x 25, Electric Starter	2	2	2	420 240 290 402 2002	420 240 290 402 2002	420 240 290 402 2002
18	Electric Starter Ass'y.....	1	1	1	420 984 970 402 7060	420 984 970 402 7060	420 984 970 402 7060
19	Lock Washer 8	2	2	2	420 945 752 402 0016	420 945 752 402 0016	420 945 752 402 0016

CRANKCASE, ELECTRIC STARTER

1974

ITEM NO.	DESCRIPTION	QUANTITY			PART NO.		
		338	343	401	1974	1973	1972
20	Hex. Nut M8	2	2	2	420 242 201 402 0018	420 242 201 402 0018	420 242 201 402 0018
21	Starter Bracket	1	1	1	420 853 040 402 7072	420 853 040 402 7072	420 853 040 402 7072
22	Lock Washer 8	1	1	1	420 945 752 402 0016	420 945 752 402 0016	420 945 752 402 0016
23	Hex. Nut M8	1	1	1	420 242 201 402 0018	420 242 201 402 0018	420 242 201 402 0018
24	Washer 5.3	2	2	2	420 244 542 402 4022	420 244 542 402 4022	420 244 542 402 4022
25	Lock Nut M5	2	2	2	420 842 030 402 0105	420 842 030 402 0105	420 842 030 402 0105
26	Spring Bracket	1		1		420 853 150 402 0214	420 853 150 402 0214

FAN HOUSING CYLINDER COWLS, FAN, V-BELT



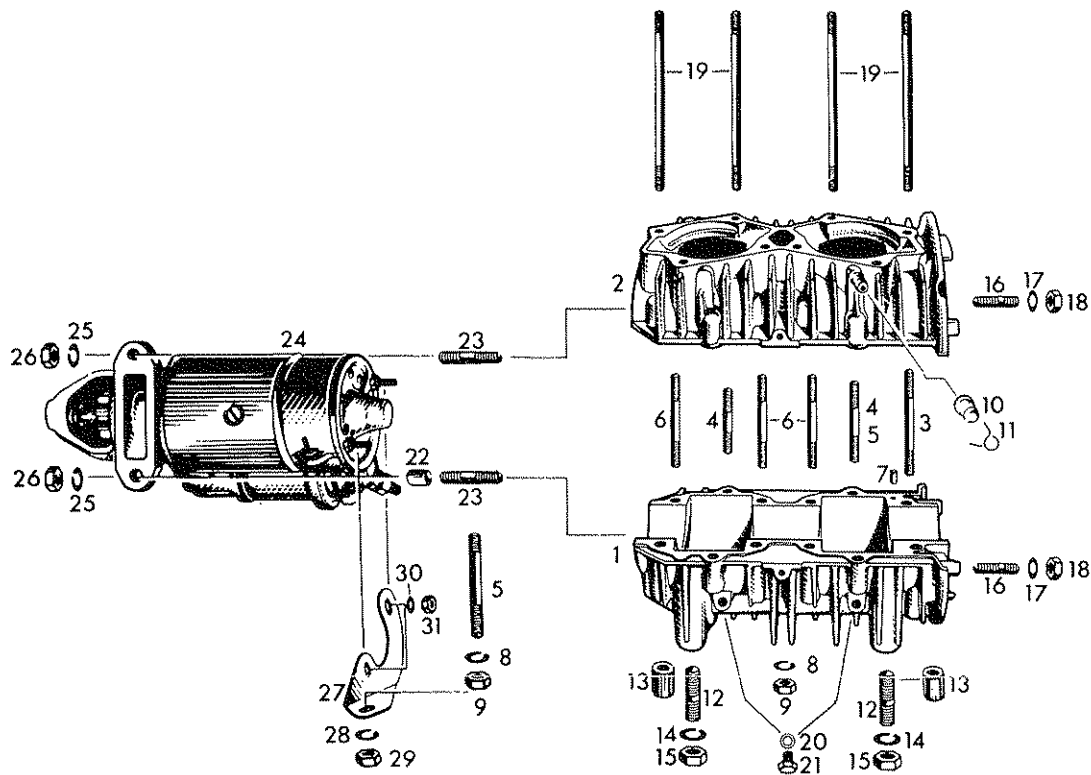
ITEM NO.	DESCRIPTION	QUANTITY			PART NO.		
		338	343	401	1974	1973	1972
1	Fan Housing.....	1	1	1	420 911 791 402 0188	420 911 791 402 0188	420 911 791 402 0188
2	Locking Ring.....	1	1	1	420 945 690 402 0118	420 945 690 402 0118	420 945 690 402 0118
3	Fan W/Shaft Ass'y.....	1	1	1	420 964 145 402 0154	420 864 145 402 0154	420 864 145 402 0154
4	Ball Bearing.....	2	2	2	420 932 675 402 0136	420 932 675 402 0136	420 932 675 402 0136
5	Washer.....	2	2	2	420 944 466 402 1018	420 944 466 402 1018	420 944 466 402 1018
6	Woodruff Key 345.....	1	1	1	420 246 011 402 1009	420 246 011 402 1009	420 246 011 402 1009
7	Shim.....	1	1	1	420 827 080 402 0129	420 827 080 402 0129	420 827 080 402 0129
8	Pulley Half.....	2	2	2	420 480 420 402 0163	420 980 420 402 0163	420 480 420 402 0163
9	Shim.....	4	4	4	420 827 080 402 0129	420 827 080 402 0129	420 827 080 402 0129
10	Lock Washer 14.....	1	1	1	420 945 755 402 1084	420 945 755 402 1084	420 945 755 402 1084
11	Hex. Nut M14 x 1.5.....	1	1	1	420 942 200 402 1086	420 942 200 402 1086	420 942 200 402 1086
12	V-Belt.....	1	1	1	420 980 430 402 0164	420 980 430 402 0164	420 980 430 402 0164
13	Cylinder Cowl Right.....	1			420 911 812 402 0287	420 911 812 402 0287	
13	Cylinder Cowl Right.....		1		420 911 817 402 0184	420 911 817 402 0184	420 911 817 402 0184
13	Cylinder Cowl Right.....			1	420 911 812 402 0287	420 911 812 402 0287	420 911 811 402 0183
14	Cylinder Cowl Left.....	1	1	1	420 911 802 402 0182	420 911 802 402 0182	420 911 802 402 0182
15	Spring Washer B6.....	4	4	4	420 845 020 402 0133	420 845 020 402 0133	420 845 020 402 0133
16	Flat Headed Screw M6 x 30.....	3	3	3	420 840 270 402 0151	420 840 270 402 0151	420 840 270 402 0151
17	Cyl. Screw M6 x 80.....	1	1	1	420 241 501 402 2125	420 241 501 402 2125	420 241 501 402 2125
18	Cowl Cover.....	1	1	1	420 827 140 402 0185	420 827 140 402 0185	420 827 140 402 0185
19	Lock Washer 8.....	1	1	1	420 945 752 402 0016	420 945 752 402 0016	420 945 752 402 0016
20	Hex. Screw 5/16" x 15.....	1	1	1	420 840 285 402 0186	420 840 285 402 0186	420 840 285 402 0186
21	Cyl. Screw M6 x 30 (Stud M6 in 72).....	2	2	2	420 840 880 402 2556	420 840 880 402 2556	420 840 260 402 0150
	Washer 6.2.....		2	2			420 244 211 402 4129
22	Hex. Nut M6 (Qty. was 1 in 72).....	2	2	2	420 842 040 402 2104	420 842 040 402 2104	420 842 040 402 2104

FAN HOUSING, CYLINDER COWLS, FAN, V-BELT

1974

ITEM NO.	DESCRIPTION	QUANTITY			PART NO.		
		338	343	401	1974	1973	1972
	Locking Nut M6		1	1			420 942 040 402 2169
23	Fan Cover	1		1	420 975 615 402 0288	420 975 615 402 0288	402 975 610 402 0181
24	N Junction Box Bracket				420 853 320		
25	Lock Washer 5				420 945 750 402 4024		
26	Cyl. Screw M5 x 12				420 240 561 402 0175		
27	Profile Rubber Strap.....			1			420 960 641 402 0236

CRANKCASE, ELECTRIC STARTER
in 74—434 Only



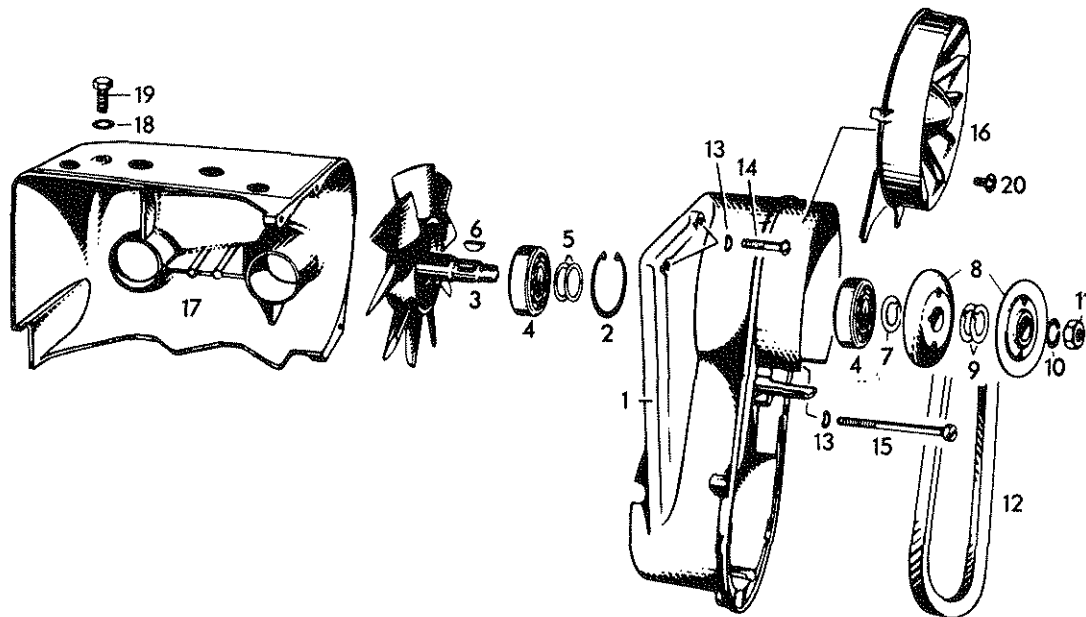
ITEM NO.	DESCRIPTION	QUANTITY		PART NO.		
		434	435	1974	1973	1972
1 to 7 9-10-11	Crankcase Ass'y.....	1	1	420 992 046 402 0315	420 992 046 402 0315	420 992 040 402 0315
3	Stud M8 x 65	2	2	420 940 095 402 0010	420 940 095 402 0010	420 940 095 402 0010
4	Stud M8 x 37	3	3	420 940 300	420 940 300	420 940 300
5	Stud M8 x 46	1	1	402 0123 420 940 670	402 0123 420 940 670	402 0123 420 940 670
6	Stud M8 x 56	6	6	402 0009 420 940 770	402 0009 420 940 770	402 0009 420 940 770
7	Dowel Pin 5 Dia. x 10.....	1	1	402 0007 420 929 650	402 0007 420 929 650	402 0007 420 929 650
8	Lock Washer 8	12	12	402 0161 420 945 752	402 0161 420 945 752	402 0161 420 945 752
9	Hex. Nut M8	12	12	402 0016 420 242 201	402 0016 320 242 201	402 0016 420 242 201
10	Closure Cap For Impulse Joint.....	1	1	402 0018 420 960 770	402 0018 420 960 770	402 0018
11	Clamp For Closure Cap.....	1	1	402 2597 420 938 190	402 2597 420 938 190	
12	Stud M12 x 32	4	4	402 2403 420 840 670	402 2403 420 840 670	420 840 670
12	Stud M12 x 32 (11V 1972, Eng. No. VP To 2328 879 Only).....		4	402 0227	402 0227	402 0227
12	Stud M12 x 26 (In 1972, Eng. No. From 2328 880 Only).....		4		420 840 430	420 840 430
13	Distance Sleeve 12MM	4		402 0178 420 947 855	402 0178 420 947 855	402 0178 420 947 855
13	Distance Sleeve 12MM (In 1972, Eng. No. Up To 2328 879 Only).		4	402 0223	402 0223	402 0223
13	Distance Sleeve 6MM (In 1972, Eng. No. From 2328 880 Only)....		4		420 947 850	420 947 850
14	Lock Washer 12	4	4	402 0177 420 945 754	402 0177 420 945 754	402 0177 420 945 754
15	Hex. Nut M12	4	4	402 1038 420 942 000	402 1038 420 942 000	402 1038 420 942 000
16	Stud M8 x 16	4	4	402 0117 420 941 600	402 0117 420 941 600	402 0117 420 941 600
17	Locking Washer 8.....	4	4	402 0115 420 845 085	402 0115 420 845 085	402 0115 420 845 085
				402 1311	402 1311	402 1311

**CRANKCASE, ELECTRIC STARTER
in 74, 434 Only**

1974

ITEM No.	DESCRIPTION	QUANTITY		PART NO.		
		434	435	1974	1973	1972
18	Hex. Nut M8	4	4	420 242 201 402 0018	420 242 201 402 0018	420 942 670 402 1134
19	Stud M8	8	8	420 840 620 402 0229	420 840 620 402 0229	420 840 620 402 0229
20	Sealing Ring	2	2	420 950 141 402 0019	420 950 141 402 0019	420 950 141 402 0019
21	Oil Drain Screw M8 x 9	2	2	420 940 251 402 0020	420 940 251 402 0020	420 940 251 402 0020
22	Dowel Tube 10 Dia. x 13, Electric Starter	1		420 929 670 402 7059	420 929 670 402 7059	420 929 670 402 7059
23	Stud M8 x 25, Electric Starter	2		420 240 290 402 2002	420 240 290 402 2002	420 240 290 402 2002
24	Electric Starter Ass'y	1		420 984 970 402 7060	420 984 970 402 7060	420 984 970 402 7060
25	Lock Washer 8	2		420 945 752 402 0016	420 945 752 402 0016	420 945 752 402 0016
26	Hex. Nut M8	2		420 242 201 402 0018	420 242 201 402 0018	420 242 201 402 0018
27	Starter Bracket	1		420 853 230 402 7081	420 853 230 402 7081	420 853 230 402 7081
28	Lock Washer 8	1		420 945 752 402 0016	420 945 752 402 0016	420 945 752 402 0016
29	Hex. Nut M8	1		420 242 201 402 0018	420 242 201 402 0018	420 242 201 402 0018
30	Washer 5.3	2		420 244 542 402 4022	420 244 542 402 4022	420 244 542 402 4022
31	Hex. Nut M5	2		420 842 030	420 842 030	420 842 030

FAN HOUSING, AIR COWL, FAN, V-BELT
in 74—434 Only



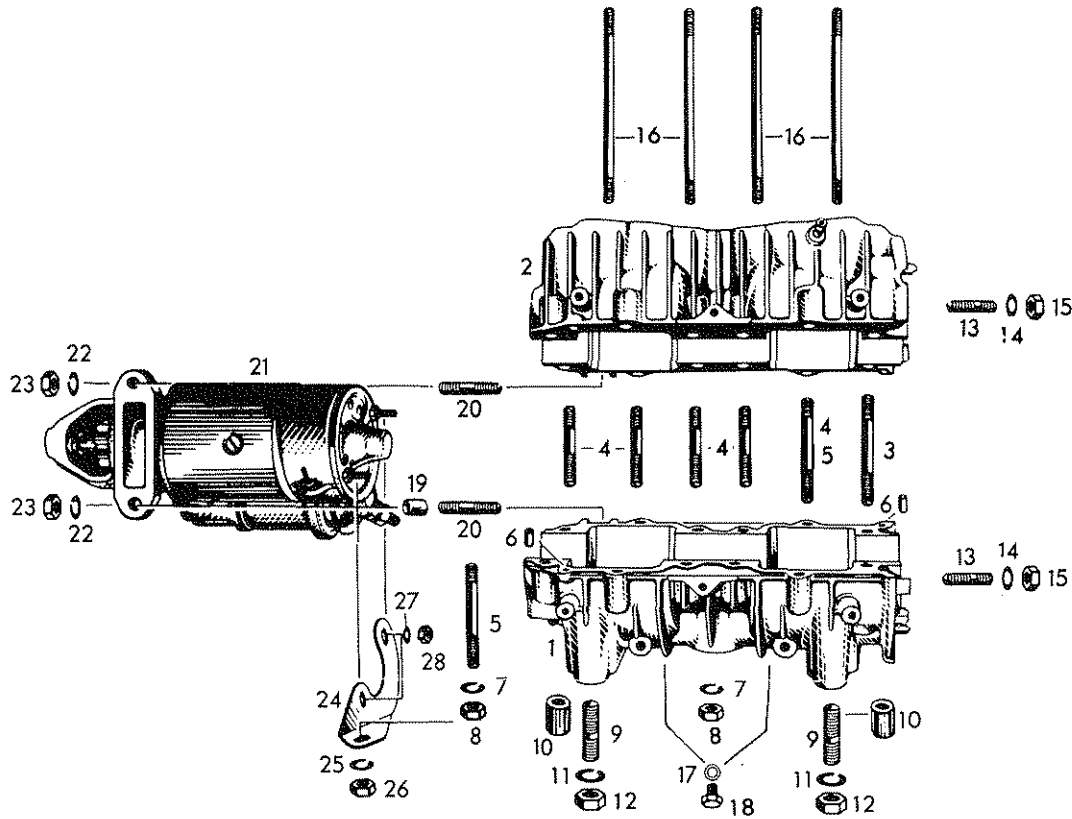
ITEM NO.	DESCRIPTION	QUANTITY		PART NO.		
		434	435	1974	1973	1972
1	Fan Housing.....	1		420 911 791 402 0188	420 911 791 402 0188	420 911 791 402 0188
1	Fan Housing.....		1		420 911 865 402 0298	420 911 791 402 0188
2	Lokcing Ring.....	1	1	420 945 690 402 0118	420 945 690 402 0118	420 945 690 402 0118
3	Fan W/Shaft Ass'y.....	1		420 864 145 402 0154	420 864 145 402 0154	420 864 145 402 0154
3	Fan W/Shaft Ass'y.....		1		420 864 155 402 0126	420 864 145 402 0126
4	Ball Bearing.....	2	2	420 932 675 402 0136	420 932 675 402 0136	420 932 675 402 0136
5	Washer.....	2	2	420 944 466 402 1018	420 944 466 402 1018	420 944 466 402 1018
6	Woodruff Key 3 x 5.....	1	1	420 246 011 402 1009	420 246 011 402 1009	420 246 011 402 1009
7	Shim.....		2		420 827 080 402 0129	420 827 080 402 0129
7	Shim.....	1				420 827 080 402 0129
8	Pulley Half.....	2	2	420 980 420 402 0163	420 980 420 402 0163	420 980 420 402 0163
9	Shim.....	5	3	420 827 080 402 0129	420 827 080 402 0129	420 827 080 402 0129
10	Lock Washer 14.....	1	1	420 945 755 402 1084	420 945 755 402 1084	420 945 755 402 1084
11	Hex. Nut M14 x 1.5.....	1	1	420 942 200 402 1086	420 942 200 402 1086	420 942 200 402 1086
12	V-Belt.....	1		420 980 430 402 0164	420 980 430 402 0164	420 980 430 402 0164
12	V-Belt.....		1		420 980 400 402 0121	420 980 430 402 0164
13	Spring Washer B6.....	3	3	420 845 020 402 0133	420 845 020 402 0133	420 845 020 402 0133
14	Flat Head Screw M6 x 30.....	2	2	420 840 270 402 0151	420 840 270 402 0151	420 840 270 402 0151
15	Cyl. Screw M6 x 80.....	1	1	420 241 501 402 2125	420 241 501 402 2125	420 241 501 402 2125
16	Fan Cover.....	1		420 975 615 402 0288	420 975 615 402 0288	420 975 610 402 0181
16	Fan Cover.....		1		420 975 660 402 0313	420 975 610 402 0181
17	Air Cowl.....	1		420 912 171 402 0299	420 912 171 402 0299	420 912 170 402 0230
17	Air Cowl.....		1		420 912 175 402 0300	420 912 170 402 0230
18	Washer 8.4.....	1	1	420 250 311 402 0031	420 250 311 402 0031	420 250 311 402 0031
19	Hex. Screw M8 x 25.....	1		420 240 271 402 0231	420 240 271 402 0231	420 240 271 402 0231

FAN HOUSING, AIR COWL, FAN, V-BELT
in 74—434 Only

1974

ITEM NO.	DESCRIPTION	QUANTITY		PART NO.		
		434	435	1974	1973	1972
19	Hex. Screw M8 x 30		1		420 240 781 402 0293	420 240 271 402 0231

CRANKCASE, ELECTRIC STARTER
Nordic-Alpine 640E—641-775 TNT in 1972 Only



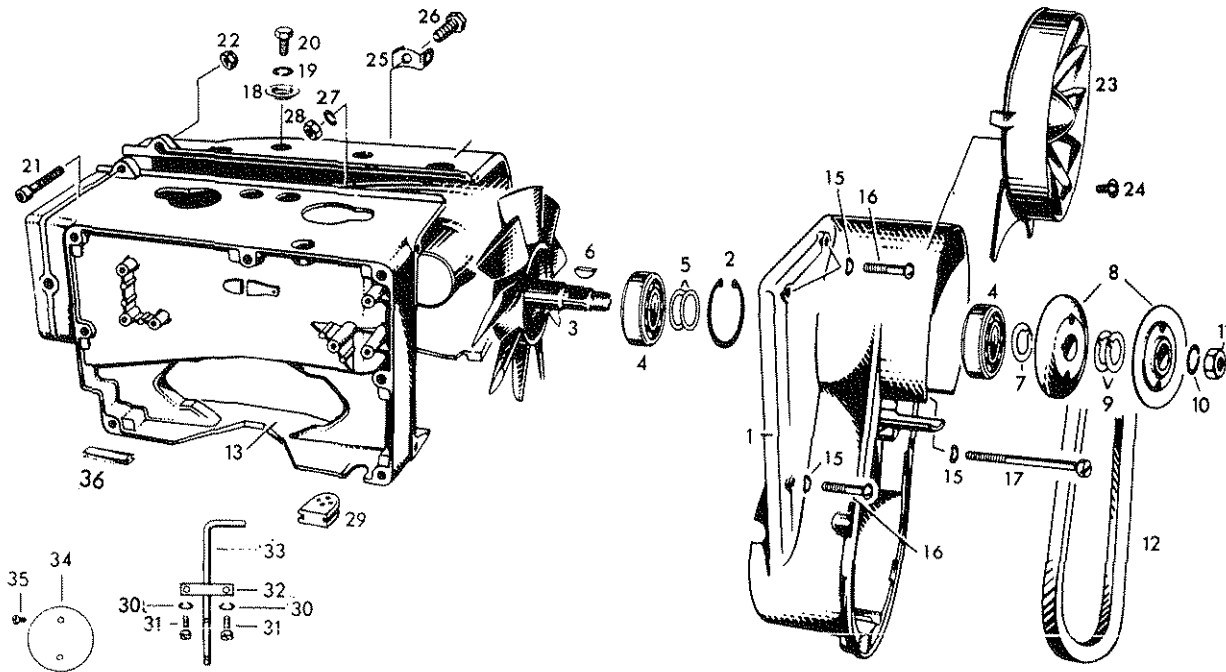
ITEM NO.	DESCRIPTION	QUANTITY				PART NO.		
		Nord.	Alp.	641	775	1974	1973	1972
1 to 8	Crankcase Ass'y.....	1				420 985 126	420 985 122	420 985 120
1 to 8	Crankcase Ass'y.....		1			420 985 122	420 985 122	420 985 120
1 to 5	Crankcase Ass'y.....			1		402 0292	402 0292	402 0167
1 to 5	Crankcase Ass'y.....				1			420 985 125
								402-0198
								420 985 601
								402 0220
3	Stud M8 x 56.....	2	2	2	2	420 940 770	420 940 770	420 940 770
						402 0007	402 0007	402 0007
4	Stud M8 x 37.....	9	9	12	12	420 940 300	420 940 300	420 940 300
						402 0123	402 0123	402 0123
5	Stud M8 x 46.....	1	1			420 940 670	420 940 670	420 940 670
						402 0009	402 0009	402 0009
6	Dowel Pin 5 Dia. x 10.....	2	2	2	2	420 929 650	420 929 650	420 929 650
						402 0161	402 0161	402 0161
7	Lock Washer 8.....	12	12	14	14	420 945 752	420 945 752	420 945 752
						402 0016	402 0016	402 0016
8	Hex. Nut M8.....	12	12	14	14	420 242 201	420 242 201	420 242 201
						4\$2 0018	402 0018	402 0018
9	Stud M12 x 32.....	4		4	4	420 840 670	420 840 670	420 840 670
						402 0227	402 0227	402 0227
9	Stud M12 x 42.5.....		4			420 840 310	420 840 310	420 840 310
						402 0113	402 0113	402 0113
10	Distance Sleeve 12mm.....	4		4	4	420 947 855	420 947 855	420 947 855
						402 0223	402 0223	402 0223
10	Distance Sleeve 22mm.....		4			420 947 840	420 947 840	420 947 840
						402 0173	402 0173	402 0173
11	Lock Washer 12.....	4	4	4	4	420 945 754	420 945 754	420 945 754
						402 1038	402 1038	402 1038
12	Hex. Nut M12.....	4	4	4	4	420 942 000	420 942 000	420 942 000
						402 0117	402 0117	402 0117
13	Stud M8 x 16.....	4	4	4	4	420 941 600	420 941 600	420 941 600
						402 0115	402 0115	402 0115
14	Locking Washer 8.....	4	4	4	4	420 845 085	420 845 085	420 845 085
						402 1311	402 1311	402 1311
15	Hex. Nut M8.....	4	4	4	4	420 242 201	420 242 201	420 242 201
						402 0018	402 0018	402 0018
16	Stud.....	8	8	4	4	420 940 050	420 940 050	420 940 050
						402 0076	402 0076	402 0076

CRANKCASE, ELECTRIC STARTER
Nordic-Alpine 640E—641-775 TNT in 72 Only

1974

ITEM NO.	DESCRIPTION	QUANTITY				PART NO.		
		Nord.	Alp.	641	775	1974	1973	1972
17	Sealing Ring	2	2	2	2	420 950 141 402 0019	420 950 141 402 0019	420 950 141 402 0019
18	Oil Drain Screw M8 x 9.....	2	2	2	2	420 940 251 420 0020	420 940 251 402 0020	420 940 251 402 0020
19	Dowel Tube 10 Dia. x 13.....	1	1			420 929 670 402 7059	420 929 670 402 7059	420 929 670 402 7059
20	Stud M8 x 25.....	2	2			420 240 290 402 2002	420 240 290 402 2002	420 240 290 402 2002
21	Electric Starter.....	1	1			561 2003	561 2003	561 2003
22	Lock Washer 8.....	2	2			420 945 752 402 0016	420 945 752 402 0016	420 945 752 402 0016
23	Hex. Nut M8.....	2	2			420 242 201 402 0018	420 242 201 402 0018	420 242 201 402 0018
24	Starter Bracket.....	1	1			420 953 970 402 7070	420 953 970 402 7070	420 953 970 402 7070
25	Lock Washer 8.....	1	1			420 945 752 4020016	420 945 752 402 0016	420 945 752 402 0016
26	Hex. Nut M8.....	1	1			420 242 201 402 0018	420 242 201 402 0018	420 242 201 402 0018
27	Washer 5.3.....	2	2			420 244 542 402 4022	420 244 542 402 4022	420 244 252 402 4022
28	Lock Nut M5.....	2	2			420 842 030 402 0105	420 842 030 402 0105	420 842 030 402 0105

FAN HOUSING, CYLINDER COWLS, FAN, V-BELT
Nordic-Alpine 640E—641-775 TNT in 72 Only



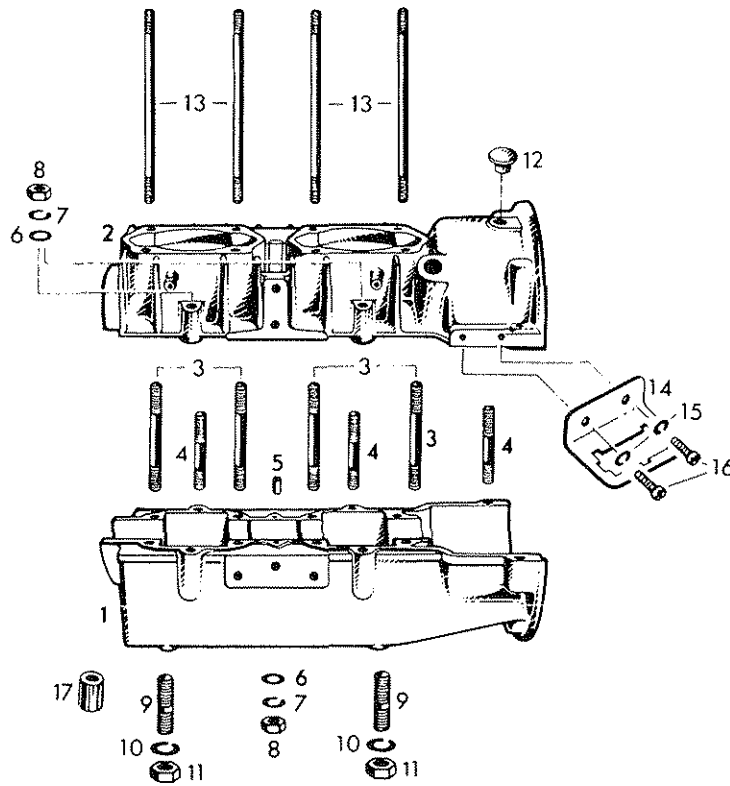
ITEM NO.	DESCRIPTION	QUANTITY				PART NO.		
		Nord.	Alp.	641	775	1974	1973	1972
1	N Fan Housing.....	1				420 911 863	420 911 861	420 911 861
1	Fan Housing.....		1	1	1	420 911 861	420 911 861	420 911 861
2	Locking Ring.....	1	1	1	1	420 945 690	420 945 690	420 945 690
3	Fan W/Shaft Ass'y.....	1	1	1	1	420 864 155	420 864 155	420 864 155
4	Ball Bearing.....	2	2	2	2	420 932 675	420 932 675	420 932 675
5	Washer.....	2	2	2	2	420 944 466	420 944 466	420 944 466
6	Wood Ruff Key 3 x 5.....	1	1	1	1	420 246 011	420 246 011	420 246 011
7	Shim.....	1	1	1	1	420 827 080	420 829 080	420 829 080
6	Pulley Half.....	2	2	2	2	420 980 420	420 980 420	420 980 420
9	Shim.....	4	4	4	4	420 827 080	420 827 080	420 827 080
10	Lock Washer 14.....	1	1	1	1	420 945 755	420 945 755	420 945 755
11	Hex. Nut M14 x 1.5.....	1	1	1	1	420 942 200	420 942 200	420 942 200
12	V-Belt.....	1	1	1	1	420 980 400	420 980 400	420 980 400
13	Cylinder Cowl Right (With Shutter in 72).....	1	1			420 911 883	420 911 883	420 985 700
14	Cylinder Cowl Left.....	1	1			420 911 873	420 911 873	420 911 871
14	Cylinder Cowl.....			1	1	420 2564	420 2564	420 0190
15	Spring Washer B6.....	4	4	3	3	420 845 020	420 845 020	420 845 020
16	Flat Headed Screw M6 x 30.....	3	3	2	2	420 840 270	420 840 270	420 840 270
17	Cyl. Screw M6 x 80.....	1	1	1	1	420 241 501	420 241 501	420 241 501
18	Cowl Cover.....	1	1	2	2	420 827 140	420 827 140	420 827 140
19	Lock Washer 8.....	1	1	2	2	420 945 752	420 945 752	420 945 752
						420 0016	420 0016	420 0016

**FAN HOUSING, CYLINDER COWLS, FAN, V-BELT
Nordic-Alpine 640E—641-775 TNT in 72 Only**

1974

ITEM NO.	DESCRIPTION	QUANTITY				PART NO.		
		Nord.	Alp.	641	775	1974	1973	1972
20	Hex. Screw 5/16 x 15.....	1	1	2	2	420 840 285 402 0186	420 840 285 402 0186	420 840 285 402 0186
21	Cylinder Screw M6 x 30 (Stud M6 x 191 Qty. 1 in 72)	2	2			420 840 880 402 2556	420 840 880 402 2556	420 840 380 402 2142
	Washer.....	2	2					420 244 211 402 4129
22	Lock Nut M6 (Qty. 1 in 72)	2				420 942 040 402 2169	420 842 040 402 2104	420 842 040 402 2104
22	Lock Nut M6 (Qty. 1 in 72)		2			420 842 040 402 2104	420 842 040 402 2104	420 842 040 402 2104
	Lock Nut M6.....	1	1					420 942 040 402 2169
23	Fan Cover.....	1				420 975 660 402 0313	420 975 625 402 0187	420 975 625 402 0187
23	Fan Cover.....		1	1	1	420 975 625 402 0187	420 975 625 402 0187	420 975 625 402 0187
24	Flat Headed Screw M5 x 12.....	3				420 840 025 402 0295		
25	Spring Bracket.....	1	1			420 853 260 402 7117	420 853 260 402 7117	
26	Hex. Screw M8 x 20	1	1			420 940 590 402 2001	420 940 591 402 2001	
27	Lock Washer 8	1	1			420 945 752 402 0016	420 945 752 402 0016	
28	Hex. Nut M8	1	1			420 242 201 402 0018	420 242 201 402 0018	
29	Cable Grommet.....	1	1				420 960 580 402 4158	
30	Lock Washer 5	2	2					420 945 750 402 4024
31	Cyl. Screw M5 x 12	2	2					420 240 561 402 0175
32	Leaf Spring, Air Shutter.....	1	1					420 938 610 402 0195
33	Shaft, Air Shutter.....	1	1					420 937 840 402 0194
34	Air Shutter	1	1					420 924 110 402 0193
35	Cyl. Screw M3.5 x 5	2	2					420 941 740 402 2212
36	Profile Rubber Strap.....	1	1					420 960 641 402 0236

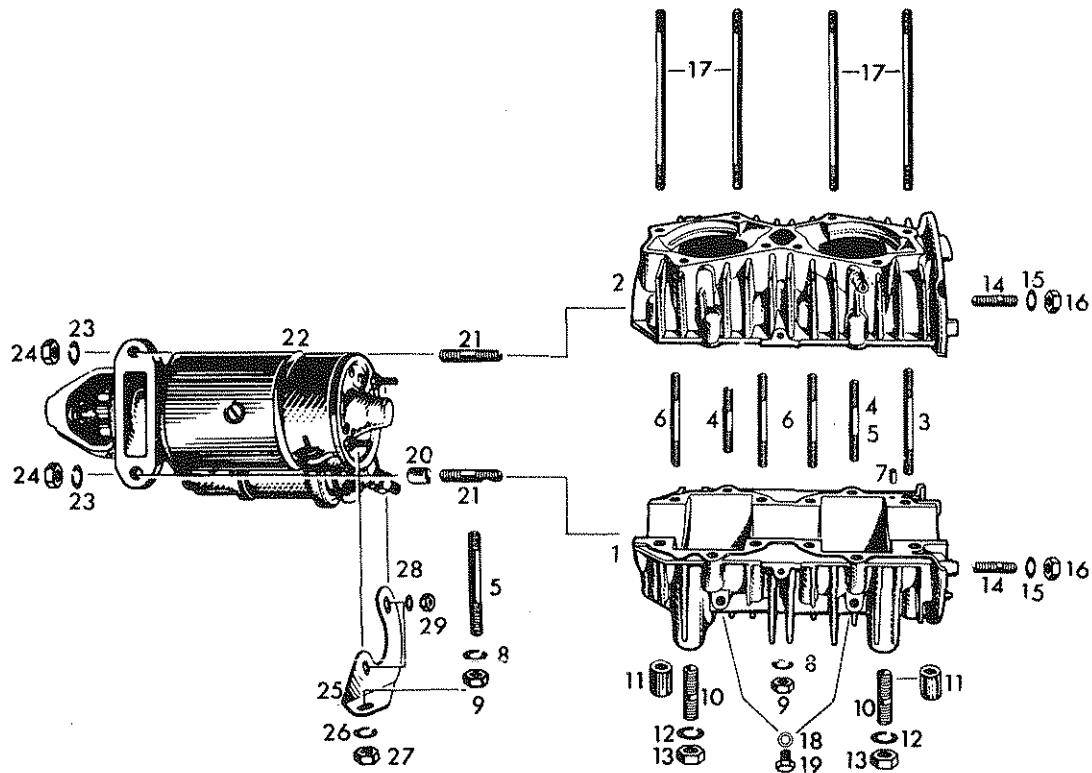
CRANKCASE
436 in 74 Only—398 Only in 72



ITEM NO.	DESCRIPTION	QUANTITY				PART NO.		
		346	396	398	436	1974	1973	1972
1-2-3	Crankcase Ass'y.....	1	1	1	1	420 992 517	420 992 515	420 992 512
4-5-8						402 0335	402 0318	402 0251
3	Stud M8 x 57 (M8 x 56 in 73-72).....	8	8	8	8	420 940 780	420 940 770	420 940 770
4	Stud M8 x 37 (Qty was 2 in 73).....	6	6	2	4	420 940 300	420 940 300	420 940 300
5	Dowel Pin.....	1	1	1	1	402 0123	402 0123	402 0123
6	Spring washer B8.....	12	12		12	420 929 650	420 929 650	420 929 650
7	Lock Washer 8 (Qty was 10 in 73-71).....	14	14	10	14	402 0161	402 0161	402 0161
8	Hex. Nut M8 (Qty was 10 in 73-72).....	14	14	10	14	420 845 030	420 845 030	420 845 030
9	Stud M12 x 50 (Qty was 3 in 73).....	4	4		4	402 0125	402 0125	402 0125
9	Stud M12 x 20 (M12 x 26 in 72).....	1	1	4		420 945 752	420 945 752	420 945 752
10	Lock, Washer 12 (Qty was 3 in 73).....	4	4	4	4	402 0016	402 0016	402 0016
11	Hex. Nut M12 (Qty was 3 in 73).....	4	4	4	4	420 249 201	420 242 201	420 242 201
12	Plug.....	1	1	1	1	402 0018	402 0018	402 0018
13	Stud M8, Cylinder.....	8	8	8		420 840 820	420 840 820	420 840 820
13	Stud M8, Cylinder.....				8	402 0246	402 0246	402 0246
14	Junction Box Bracket.....	1	1		1	420 840 220	420 840 220	420 840 430
15	Lockwasher 5.....	2	2		2	402 0149	402 0149	402 0178
16	Cyl. Screw.....	2	2		2	420 945 754	420 945 754	420 945 754
17	Distance Sleeve 8MM.....			4		402 1038	402 1038	402 1038
						420 942 000	420 942 000	420 942 000
						402 0117	402 0117	402 0117
						420 960 270	420 960 270	420 960 270
						402 5024	402 5024	402 5024
						420 840 780	420 840 780	420 840 780
						402 7115	402 7115	402 7115
						420 840 620	420 840 620	420 840 620
						402 0229	402 0229	402 0229
						420 853 320	420 853 320	420 853 320
						420 945 750	420 945 750	420 945 750
						402 4024	402 4024	402 4024
						420 240 561	420 240 561	420 240 561
						402 0175	402 0175	402 0175
						420 947 850	420 947 850	420 947 850
						402 0177	402 0177	402 0177



CRANKCASE, ELECTRIC STARTER (440)



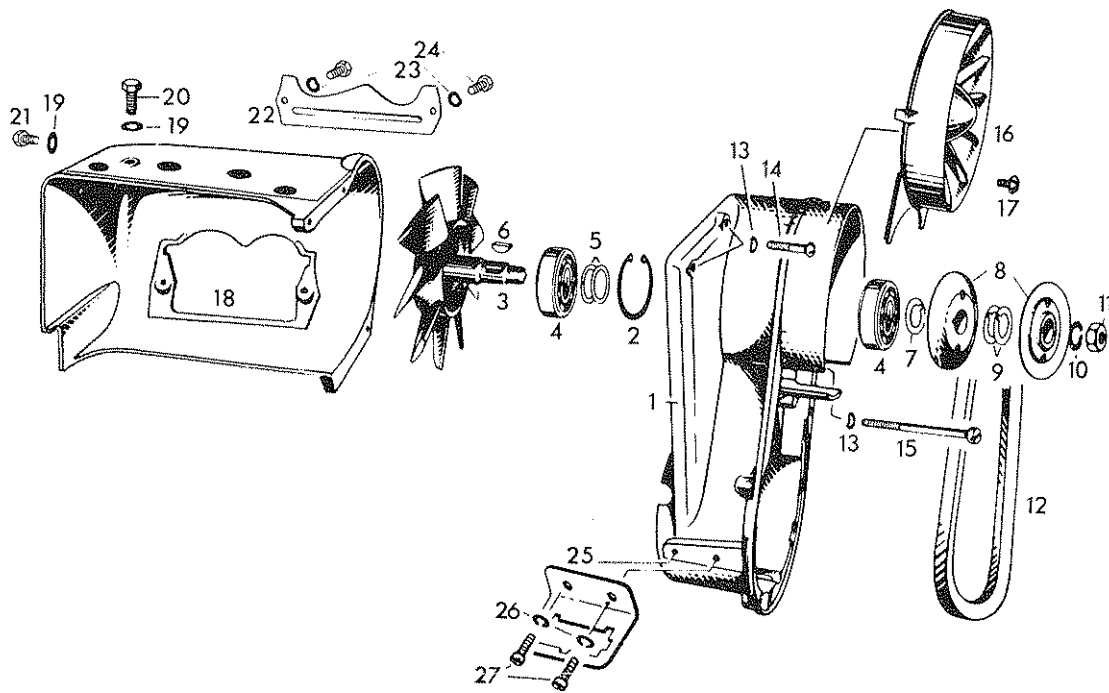
ITEM NO.	DESCRIPTION	QTY	PART NO.	
				1974
1 to 7-9	Crankcase Ass'y.....	1		420 992 046
3	Stud M8 x 65.....	2		402 0315 420 940 095 402 0010
4	Stud M8 x 37.....	3		420 940 300 402 0123
5	Stud M8 x 46.....	1		420 940 670 402 0009
6	Stud M8 x 56.....	6		420 940 770 402 0007
7	Dowel Pin 5 Dia. x 10.....	1		420 929 650 402 0161
8	Lock Washer 8.....	12		420 945 752 402 0016
9	Hex. Nut M8.....	12		420 242 201 402 0018
10	Stud M12 x 26.....	4		420 840 430 402 0178
11	Distance Sleeve 6 mm.....	4		420 947 850 402 0177
12	Lock Washer 12.....	4		420 945 754 402 1038
13	Hex. Nut M12.....	4		420 942 000 402 0117
14	Stud M8 x 16.....	4		420 941 600 402 0115
15	Locking Washer 8.....	4		420 845 085 402 1311
16	Hex. Nut M8.....	4		420 242 201 402 0018
17	Stud M8.....	8		420 840 620 402 0229

CRANKCASE, ELECTRIC STARTER (440)

1974

ITEM NO.	DESCRIPTION	QTY	PART NO.		
					1974
18	Sealing Ring	2			420 950 141 402 0019
19	Oil Drain Screw M8 x 9.....	2			420 940 251 402 0020
20	Dowel Tube 10 Dia. x 13, Elect. Starter.....	1			420 929 670 402 7059
21	Stub M8 x 25, Elect. Starter.....	2			420 240 290 402 2002
22	Elect. Starter Ass'y.....	1			420 984 970 402 7060
23	Lock Washer 8.....	2			420 945 752 402 0016
24	Hex. Nut M8.....	2			420 242 200 402 0018
25	Starter Bracket.....	1			420 853 230 402 7081
26	Lock Washer 8.....	1			420 945 752 402 0016
27	Hex. Nut M8.....	1			420 242 201 402 0018
28	Washer 5.3	2			420 244 542 402 4022
29	Hex. Nut M5.....	2			420 842 030 402 0105

FAN HOUSING, AIR COWL, FAN-V-BELT (440)

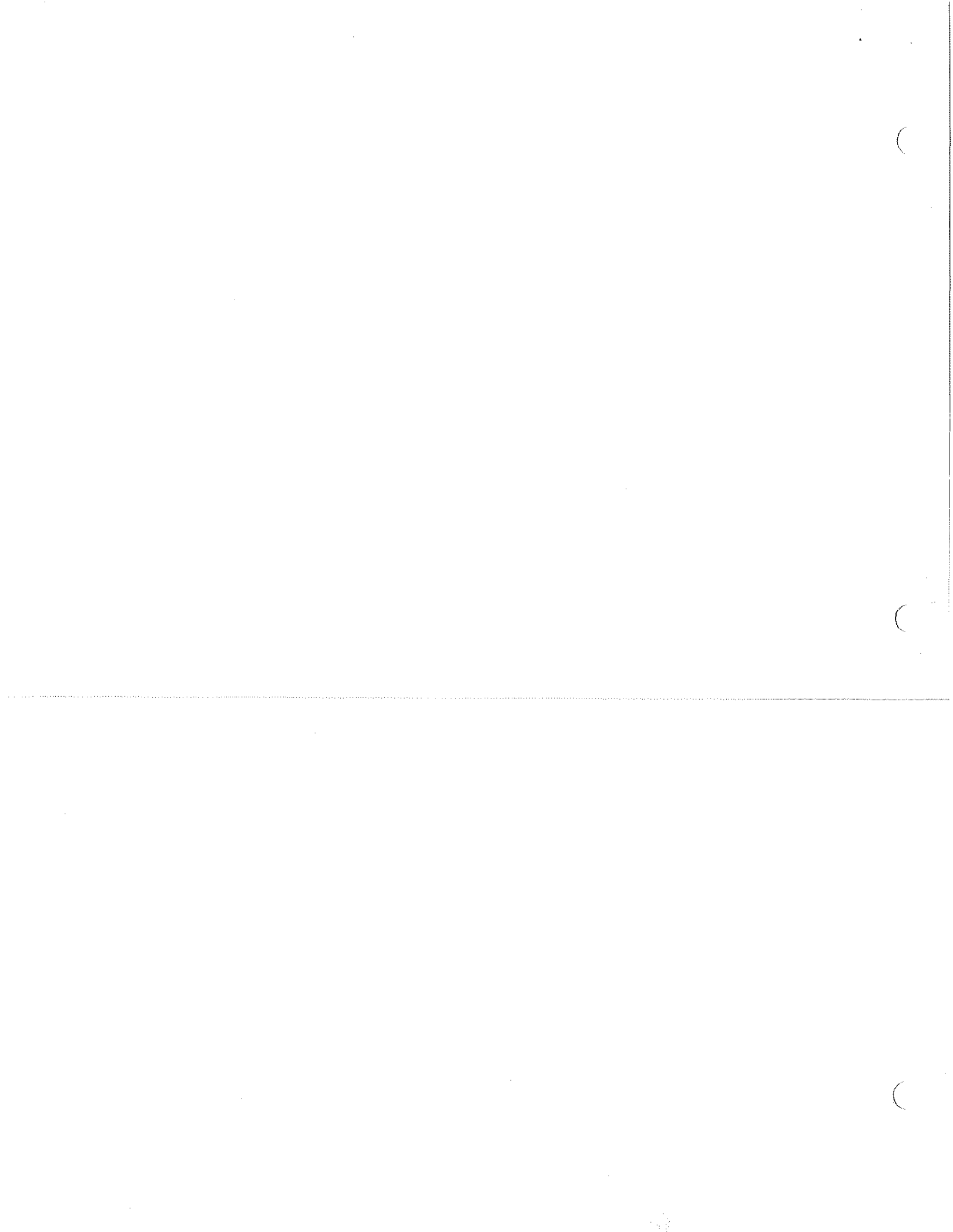


ITEM NO.	DESCRIPTION	QTY	PART NO.	
				1974
1	Fan Housing	1		420 911 865
				402 0298
2	Locking Ring	1		420 945 690
				402 0118
3	Fan W/Shaft Ass'y	1		420 864 155
				402 0126
4	Ball Bearing	2		420 932 675
				402 0136
5	Washer	2		420 944 466
				402 1018
6	Woodruff Key 3 x 5	1		420 246 011
				402 1009
7	Shim	2		420 827 080
				402 0129
8	Pulley Half	2		420 980 420
				402 0163
9	Shim	3		420 827 080
				402 0129
10	Lock Washer 14	1		420 945 755
				402 1084
11	Hex. Nut M14 x 1.5	1		420 942 200
				402 1086
12	V-Belt	1		420 980 400
				402 0121
13	Spring Washer B6	3		420 845 020
				402 0133
14	Flat Head Screw M6 x 30	2		420 840 270
				402 0151
15	Cyl. Screw M6 x 80	1		420 241 501
				402 2125
16	Fan Cover	1		420 975 660
				402 0313
17	Flat Headed Screw M5 x 12, Fan Cover	3		420 840 025
				402 0295
18	N Air Cowl	1		420 912 450

FAN HOUSING, AIR COWL, FAN, V-BELT

1974

ITEM NO.	DESCRIPTION	QTY	PART NO.		
					1974
19	Washer 8.4	2			420 250 311 402 0031
20	N Hex. Screw M8 x 35	1			420 940 491
21	Hex. Screw M8 x 20	1			420 940 591 402 2001
22	N Air Cowl Cover	1			420 912 460
23	Spring Washer	2			420 845 020 402 0133
24	N Hex. Screw M6 x 12	2			420 240 381
25	N Junction Box Bracket	1			420 853 320
26	Lock Washer 5	2			420 945 750 402 4024
27	Cyl. Screw M5 x 12	2			420 240 561 402 0175



SECTION

CRANKSHAFT – PISTON – CYLINDER

Crankshaft
Piston
Cylinder
Muffler

1 Cyl.

Crankshaft
Pistons
Starter Gear
Cylinders
Intake Manifold
Muffler

2 Cyl.

On 1 Cyl.: The crankshaft is followed by
it's 2 cylinder, piston and muffler.

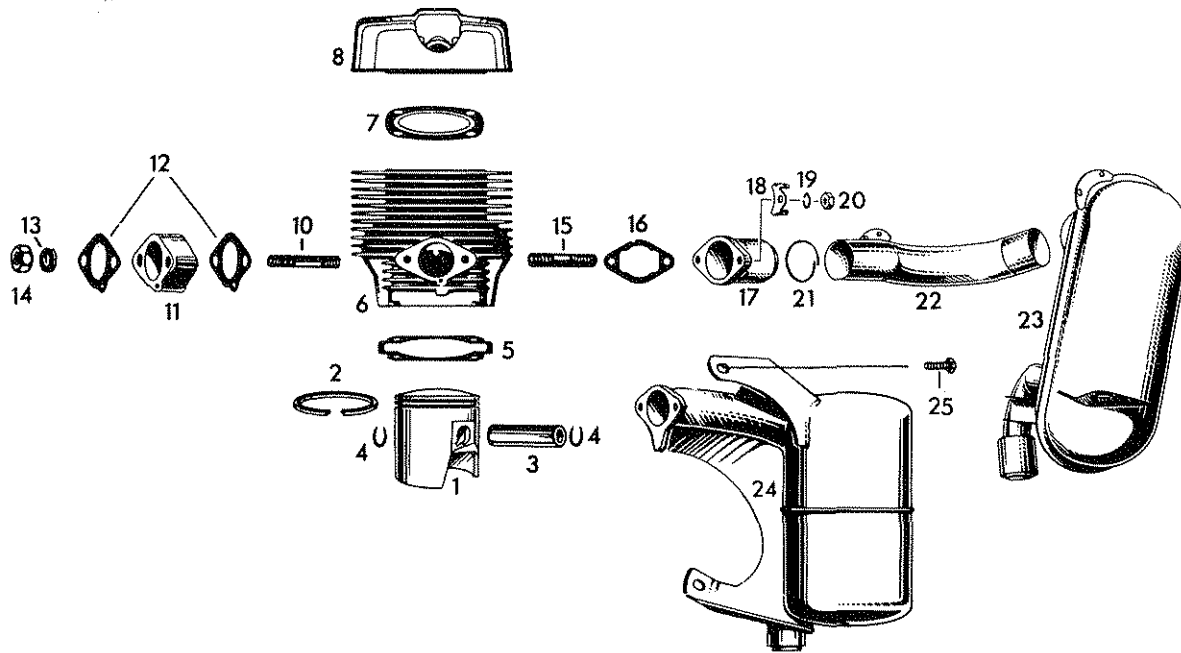
Optional piston on 292-342 ('72-'71) Page 6 # 3-4-5
With L & R ring instead of 2 R-rings

On 2 Cyl.: The crankshaft, pistons and starter gear are
followed by cylinders, cylinder heads, intake
manifold and muffler.

248-249-294 Crankcase, cylinders and cylinder heads
are on the same page

The H.A. head (High Altitude) is used at 5000 feet altitude
(above sea level) in western areas

CYLINDER, PISTON, MUFFLER
337 in 73-72 Only



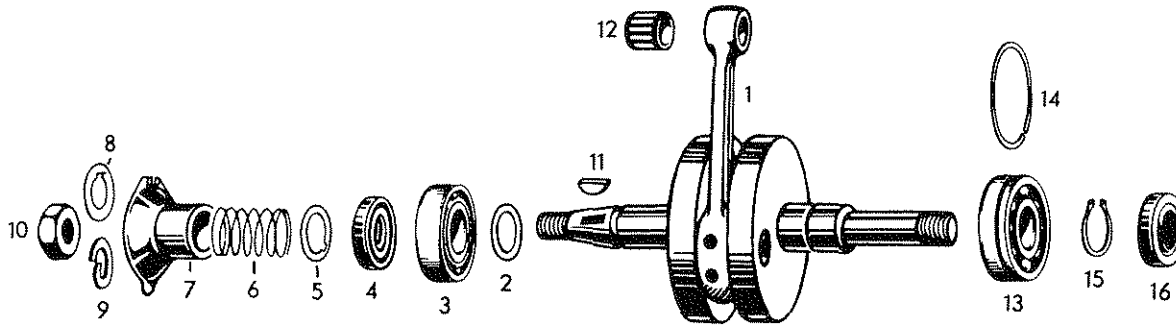
ITEM NO.	DESCRIPTION	QUANTITY			PART NO.		
		247	302	337	1974	1973	1972
1-2	Piston Ass'y W/2R-Rings 69.0 Dia. Std.....	1			420 984 155	420 984 155	420 984 155
2	Rectangular Ring 69.0 Dia. Std.....	2			402 1264 420 915 430 402 2294	402 1264 420 915 430 402 2294	402 1264 420 915 430 402 2294
1-2	Piston Ass'y W/2R-Rings 76.0 Dia. Std.....		1		420 985 050	420 985 050	420 985 050
2	Rectangular Ring 76.0 Dia. Std.....		2		402 1129 420 915 250 402 1132	402 1129 420 915 250 402 1132	402 1129 420 915 250 402 1132
1-2	Piston Ass'y W/2R-Rings 78.0 Dia. Std.....			1		420 985 055	420 985 055
2	Rectangular Ring 78.0 Dia. Std.....			2		402 1190 420 915 270 402 1171	402 1190 420 915 270 402 1171
1-2	Piston Ass'y W/2R-Rings 69.5 Dia. 1st Oversize.....	1			420 984 156	420 984 156	420 984 156
2	Rectangular Ring 69.5 Dia. 1st Oversize.....	2			402 1265 420 915 431 402 2295	402 1265 420 915 431 402 2295	402 1265 420 915 431 402 2295
1-2	Piston Ass'y W/2R-Rings 76.5 Dia. 1st Oversize.....		1		420 985 051	420 985 051	420 985 051
2	Rectangular Ring 76.5 Dia. 1st Oversize.....		2		402 1130 420 915 251 402 1133	402 1130 420 915 251 402 1133	402 1130 420 915 251 402 1133
1-2	Piston Ass'y W/2R-Rings 78.5 Dia. 1st Oversize.....			1		420 985 056	420 985 056
2	Rectangular Ring 78.5 Dia. 1st Oversize.....			2		402 1191 420 915 271 402 1172	402 1191 420 915 271 402 1172
1-2	Piston Ass'y W/2R-Rings 77.0 Dia. 2nd Oversize.....		1		420 985 052	420 985 052	420 985 052
2	Rectangular Ring 77.0 Dia. 2nd Oversize.....		2		402 1131 420 915 252 402 1134	402 1131 420 915 252 402 1134	402 1131 420 915 252 402 1134
3	Gudgeon Pin.....	1			420 916 125	420 916 125	420 916 125
3	Gudgeon Pin.....		1	1	402 1062 420 916 180	402 1062 420 916 180	402 1062 420 916 180
4	Circlip.....	2	2	2	402 1064 420 945 735 402 1067	402 1064 420 945 735 402 1067	402 1064 420 945 735 402 1067
5	Gasket, Cylinder Flange.....	1	1	1	420 830 420	420 830 420	420 830 420
6	Cylinder W/Sleeve.....	1			402 2123 420 913 979	402 2123 420 913 797	402 2123 420 913 797
6	Cylinder W/Sleeve.....		1		402 2292 420 813 015	402 2292 420 813 015	402 2292 420 813 015
6	Cylinder W/Sleeve.....			1	402 2122 420 813 018	402 2122 420 813 018	402 2122 420 813 018
7	Gasket, Cylinder Head.....	1			402 2196 420 930 980	402 2196 420 930 980	402 2196 420 930 980
7	Gasket, Cylinder Head.....		1	1	402 2030 420 930 105	402 2030 420 930 105	402 2030 420 930 105
8	Cylinder Head, Std.....	1			402 2101 420 913 812 402 2285	402 2101 420 913 812 402 2285	402 2101 420 913 812 402 2285

**CYLINDER, PISTON, MUFFLER
337 in 73-72 Only**

1974

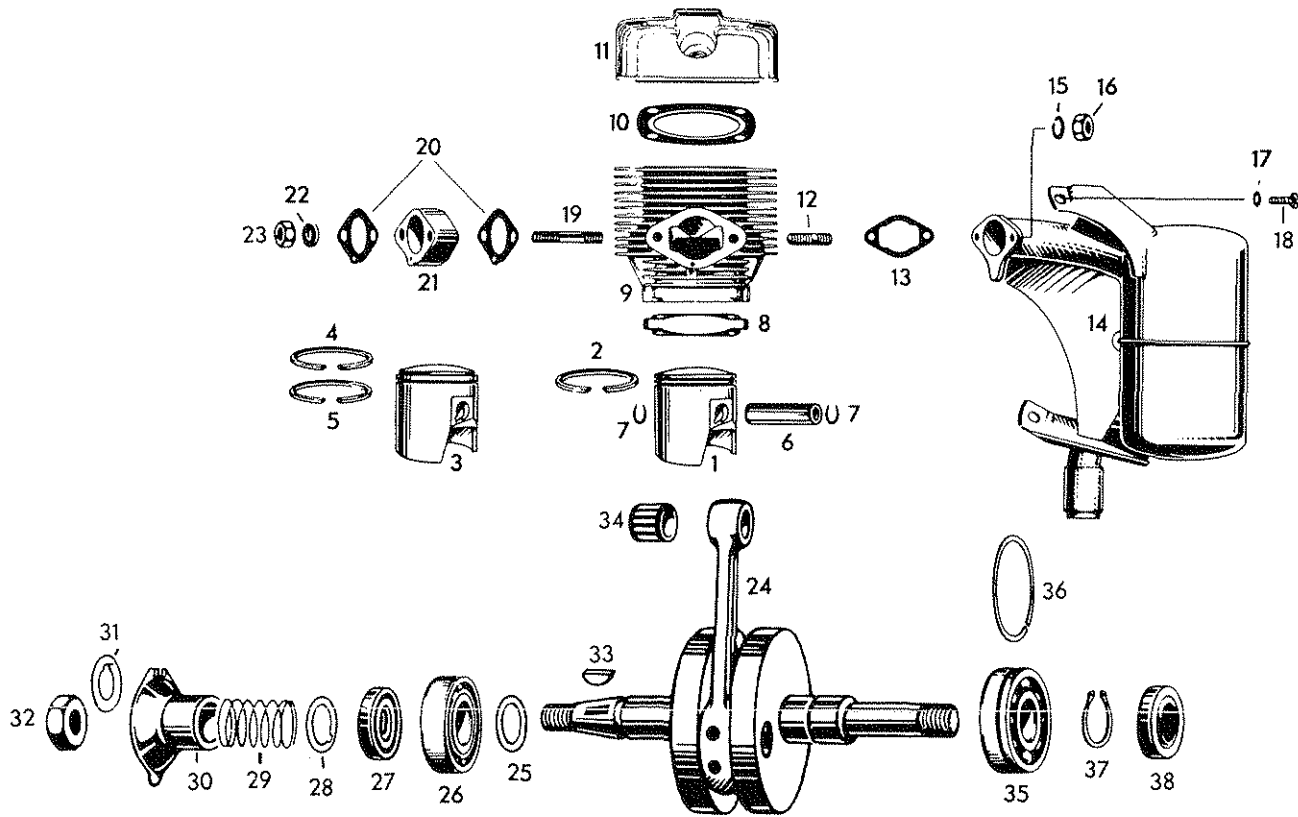
ITEM NO.	DESCRIPTION	QUANTITY			PART NO.		
		247	302	337	1974	1973	1972
8	Cylinder Head, Std.		1		420 813 030 402 2124	420 813 030 402 2124	420 813 030 402 2124
8	Cylinder Head, Std.			1	420 813 035 402 2197	420 813 035 402 2197	420 813 035 402 2197
8	Cylinder Head For High Altitude.....	1					420 913 815 402 2309
8	Cylinder Head For High Altitude.....		1				420 813 032 402 2311
8	Cylinder Head For High Altitude.....			1		420 813 095 402 2313	420 813 095 402 2313
10	Stud M8 x 37	2	2	2	420 940 300 402 0123	420 940 300 402 0123	420 940 300 402 0123
11	Isolating Flange.....	1	1	1	420 830 480 402 2170	420 830 480 402 2170	420 830 480 402 2170
12	Carburator Flange Gasket.....	2	2	2	404 0039	404 0039	404 0039
13	Tak Lock.....	2			513 0148		
13	Isolating Washer	2	2	2		420 830 150 402 2071	420 830 150 402 2072
14	Hex. Nut M8	2	2	2	420 242 201 402 0018	420 242 201 402 0018	420 242 201 402 0018
15	Stud M8 x 19	2			420 940 065 402 2038	420 940 065 402 2038	420 940 065 402 2038
15	Stud M8 x 21		2	2	420 840 710 402 2546	420 840 710 402 2546	420 840 710 402 2546
16	Gasket, Muffler.....	1	1	1	420 830 180 402 2089	420 830 180 402 2089	420 830 180 402 2089
17	Exhaust Socket		1	1	420 873 585 402 2532	420 873 585 402 2532	
18	Spring Bracket.....		2	2	420 853 260 402 7117	420 853 260 402 7117	
19	Lock Washer 8	2	2	2	420 945 752 402 0016	420 945 752 402 0016	420 945 752 402 0016
20	Hex Nut M8	2	2	2	420 242 201 402 0018	420 242 201 402 0018	420 242 201 402 0018
21	Asbesto String 310 MM.....		1	1	420 831 281 402 2531	420 831 281 402 2531	
22	Inlet Elbow.....		1	1	420 873 690 402 2541	420 873 690 402 2541	
23	Muffler		1	1	420 873 672 402 2542	420 873 672 402 2542	420 979 743 402 2432
24	Muffler	1			420 873 241 402 2528	420 873 241 402 2528	420 873 240 402 2249
25	Hex Screw M8 x 25	1			420 240 271 402 0231	420 240 271 402 0231	420 240 271 402 0231

CRANKSHAFT
337 in 73-72 Only



ITEM NO.	DESCRIPTION	QUANTITY			PART NO.		
		247	302	337	1974	1973	1972
1	Crankshaft Ass'y	1	1		420 984 845	420 984 845	420 984 845
1	Crankshaft Ass'y			1	402 1261	402 1261	402 1261
2	Shim 0.2 MM	AR	AR		420 944 470	420 944 470	
2	Shim 0.3 MM	AR	AR		402 1023	402 1023	402 1023
2	Shim 0.5 MM	AR	AR		420 944 471	420 944 471	420 944 471
2	Shim 1.0 MM	AR	AR	AR	402 1024	402 1024	402 1024
2	Shim 0.1 MM	AR	AR		420 944 472	420 944 472	420 944 472
3	Deep Groove Ball Bearing	1	1		402 1025	402 1025	402 1025
3	Roller Bearing			1	420 944 473	420 944 473	420 944 473
4	Oil Seal	1	1		402 1026	402 1026	402 1026
4	Oil Seal			1	420 944 474	420 944 474	420 944 474
5	Washer Cam Spring	1	1	1	402 1126	402 1126	402 1126
6	Spring Breaker Cam	1	1	1	420 932 820	420 932 820	420 932 820
7	Breaker Cam	1	1	1	402 1005	402 1005	402 1005
8	Lock Washer (Eng. W/Out Elect. Starter)	1	1	1	420 832 065	420 832 065	420 832 065
9	Lock Washer (Eng. W/Elect. Starter)	1	1	1	402 1257	402 1257	402 1257
10	Hex. Nut M18 x 1.5	1	1	1	420 930 800	420 930 800	420 930 800
11	Woodruff Key 5 x 6.5	1	1	1	402 1002	402 1002	402 1002
12	Needle Cage	1	1	1	420 830 600	420 830 600	420 830 600
13	Deep Groove Ball Bearing	1	1		402 1260	402 1260	402 1260
13-14	Roller Bearing			1	420 927 460	420 927 460	420 927 460
14	Groove Ring			1	402 1035	402 1035	402 1035
15	Lock Ring			1	420 938 071	420 938 071	420 938 071
16	Oil Seal	1	1		402 1036	402 1036	402 1036
16	Oil Seal			1	420 985 170	420 985 170	420 985 170
					402 1127	402 1127	402 1127
					420 944 351	420 944 351	420 944 351
					402 1040	402 1040	402 1040
					420 945 757	420 945 757	420 945 757
					402 1095	402 1095	402 1095
					420 942 220	420 942 220	420 942 220
					402 1043	402 1043	402 1043
					420 946 000	420 946 000	420 946 000
					402 1010	402 1010	402 1010
					420 932 900	420 932 900	420 932 900
					402 1033	402 1033	402 1033
					420 932 820	420 932 820	420 932 820
					402 1005	402 1005	402 1005
					420 932 080	420 932 080	420 932 080
					402 1263	402 1263	402 1263
					420 845 010	420 845 010	420 845 010
					402 1105	402 1105	402 1105
					420 945 610	420 945 610	420 945 610
					402 1041	402 1041	402 1041
					420 930 800	420 930 800	420 930 800
					402 1002	402 1002	402 1002
					420 930 025	420 930 025	420 930 025
					402 1003	402 1003	402 1003

CYLINDER, PISTON, CRANKSHAFT, MUFFLER



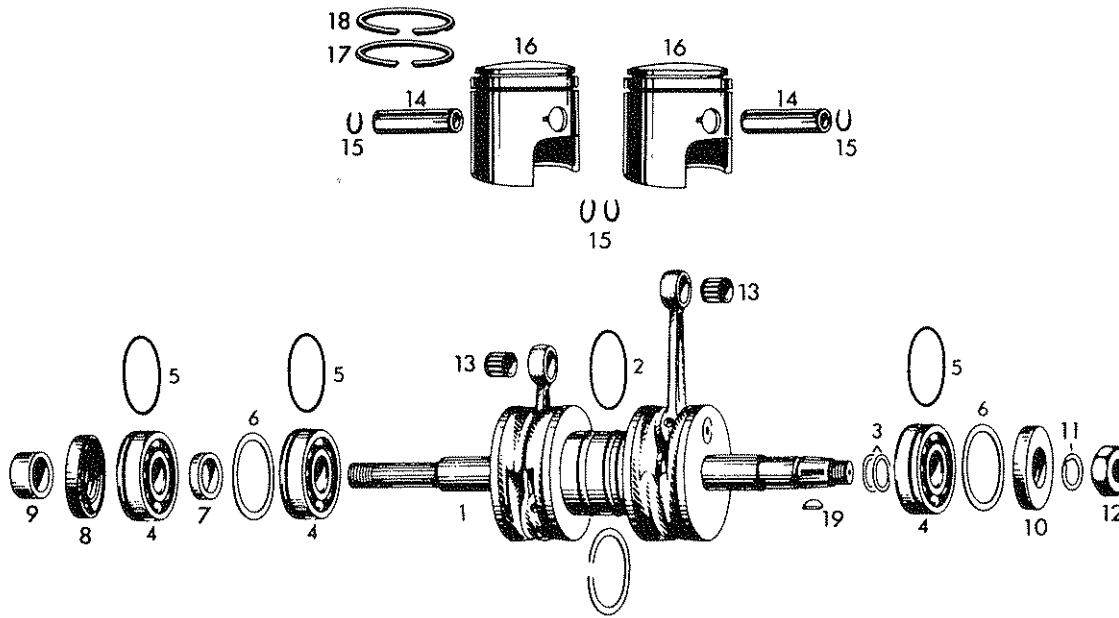
ITEM NO.	DESCRIPTION	QTY.	PART NO.	
			292	1972
1-2	Piston Ass'y W/2 Rings 75.0 Dia. Std.....	1		420 985 875 402 1266
2	Rectangular Ring 75.0 Dia. Std.....	2		420 915 420 402 2773
1-2	Piston Ass'y W/2 Rings 75.5 Dia. 1st Oversize	1		420 985 876 402 1267
2	Rectangular Ring 75.5 Dia. 1st Oversize	2		420 915 421 402 2274
3-4-5	Piston Ass'y W/L&R Ring, Optional	1		420 985 870 402 2259
3-4-5	Piston Ass'y W/L&R Ring 75.0 Dia. Std.....	1		420 915 285 402 2266
4	L-Ring 75.0 Dia. Std.....	1		420 915 420 402 2273
5	R-Ring 75.0 Dia. Std.....	1		420 985 871 402 2260
3-4-5	Piston Ass'y W/L&R Ring 75.5 Dia. 1st Oversize	1		420 915 286 402 2267
4	L-Ring 75.5 Dia. 1st Oversize.....	1		420 915 421 402 2274
5	R-Ring 75.5 Dia. 1st Oversize	1		420 916 180 402 1064
6	Gudgeon Pin.....	1		420 945 735 402 1067
7	Circlip 18 Gudgeon Pin.....	2		420 830 420 402 2123
8	Gasket, Cylinder Flange	1		420 813 116 402 2434
9	Cylinder W/Sleeve	1		420 930 105 402 2101
10	Gasket, Cylinder Head	1		420 913 922 402 2293
11	Cylinder Head Std.....	1		420 913 925 402 2310
11	Cylinder Head High Altitude	1		420 940 065 402 2038
12	Stud M8 x 19	1		420 830 180 402 2089
13	Gasket, Muffler	1		420 979 743 402 2432
14	Muffler.....	1		

CYLINDER, PISTON, CRANKSHAFT, MUFFLER

1974

ITEM NO.	DESCRIPTION	QTY.	PART NO.	
		292		1972
15	Lock Washer 8.....	2		420 745 752 402 0016
16	Hex. Nut M8.....	2		420 242 201 402 0018
17	Washer 8.4.....	1		420 250 311 402 0031
18	Hex. Screw M8 x 20.....	1		420 940 591 402 2001
19	Stud M8 x 41.....	2		420 940 850 402 2159
20	Carburator Flange Gasket.....	2		404 0212
21	Isolating Flange 20MM. Thick.....	1		420 830 490 402 2171
22	Isolting Washer.....	2		420 830 150 402 2072
23	Hex. Nut M8.....	2		420 242 201 402 0018
24	Crankshaft Ass'y.....	1		420 992 170 402 1275
25	Shim 1.0MM.....	AR		420 944 473 402 1026
26	Roller Bearing.....	1		420 832 065 402 1257
27	Oil Seal.....	1		420 830 600 402 1260
28	Washer Cam Spring.....	1		420 927 460 402 1035
29	Spring Breaker Cam.....	1		420 938 071 402 1036
30	Breaker Cam.....	1		420 985 170 402 1127
31	Lock Washer.....	1		420 944 351 402 1040
32	Hex. Nut M18 x 1.5.....	1		420 942 220 402 1043
33	Woodruff Key 5 x 6.5.....	1		420 946 000 402 1010
34	Needle Cage.....	1		420 932 900 402 1033
35-36	Ball Bearing W/Groove Ring.....	1		420 932 080 402 1263
36	Groove Ring.....	1		420 845 010 402 1105
37	Lock Ring.....	1		420 945 610 402 1041
38	Oil Seal.....	1		420 930 025 402 1003

CRANKSHAFT, PISTONS
249 in 73 Only CRANKSHAFT, PISTONS



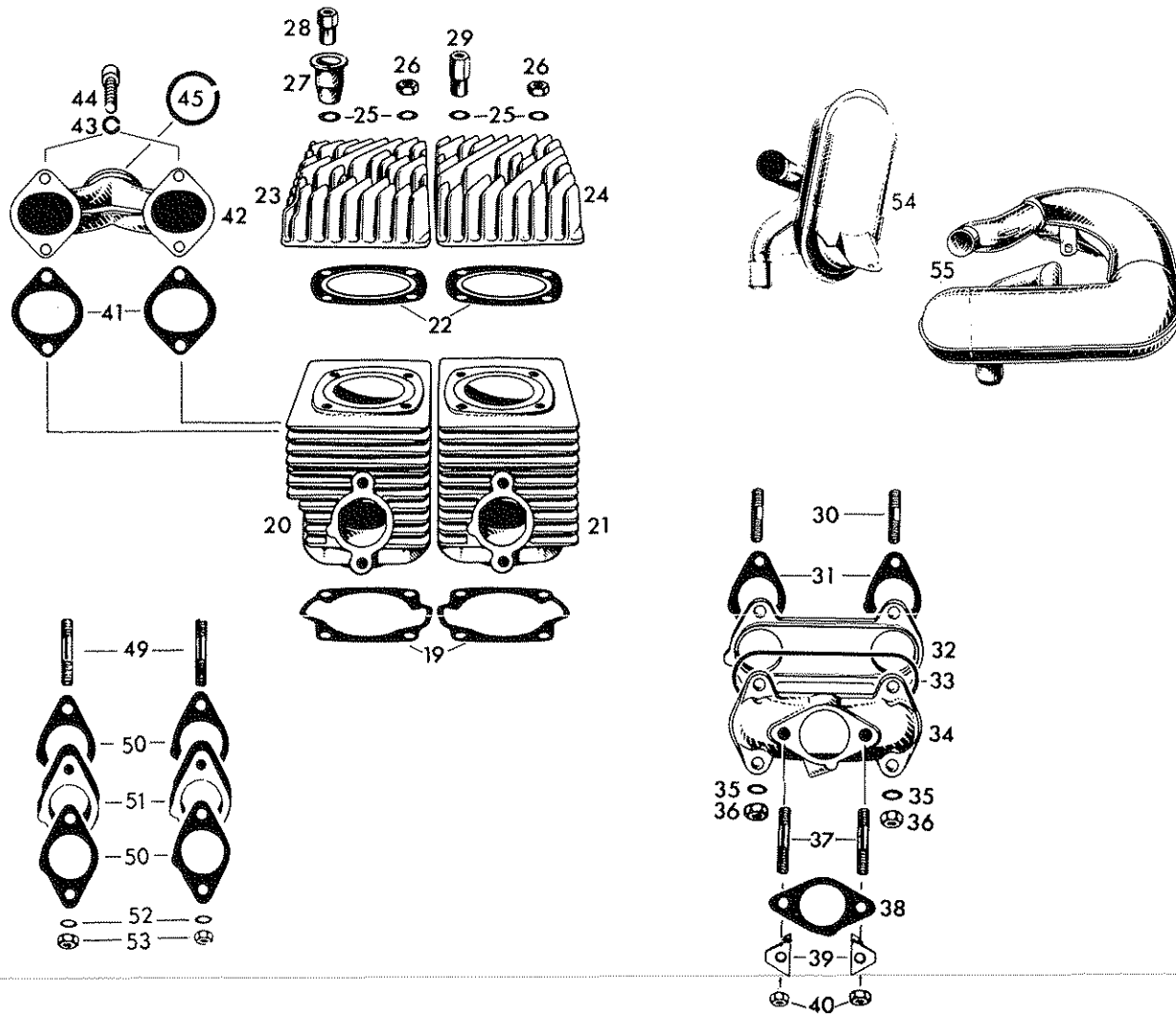
ITEM NO.	DESCRIPTION	QUANTITY			PART NO.		
		248	249	294	1974	1973	1972
1-2	Crankshaft Ass'y	1	1		420 992 740	420 992 740	
1-2	N Crankshaft Ass'y			1	402 1361	402 1361	
				402	420 993 395	420 992 745	
2	O-Ring (Qty. was 2 on 294 in 1973).....	2	2	2	420 831 160	420 831 160	
3	Shim 0.2 MM.....	AR	AR	AR	402 1329	402 1329	
3	Shim 0.3 MM.....	AR	AR	AR	420 944 470	420 944 470	
					402 1023	402 1023	
3	Shim 0.5 MM.....	AR	AR	AR	420 944 471	420 944 471	
					402 1024	402 1024	
3	Shim 1.0 MM.....	AR	AR	AR	420 944 472	420 944 472	
					402 1025	402 1025	
3	Shim 0.1 MM.....	AR	AR	AR	420 944 473	420 944 473	
					402 1026	402 1026	
4	Ball Bearing (Qty. was 2 on 294 in 1973).....	2	2	3	420 944 474	420 944 474	
5	"O" Ring (Qty. was 2 on 294 in 1973).....	2	2	3	402 1126	402 1126	
6	Retaining Washer.....	2	2	2	420 832 150	420 832 150	
					402 1332	402 1332	
7	N Distance Ring 6 MM.....			1	420 831 160	420 831 160	
8	Oil Seal.....	1	1	1	402 1329	402 1329	
					420 827 200	420 827 200	
9	Distance Sleeve 12 MM. (294 in 73 Only).....	1	1	1	402 1328	402 1328	
9	Distance Sleeve 17.7 MM. (294 in 73 Only).....	1	1	1	420 847 130	420 831 182	
					420 831 182	420 831 182	
9	N Distance Sleeve 9.7 MM.....			1	402 1331	402 1331	
10	Oil Seal.....	1	1	1	420 947 970	420 947 970	
					402 0311	402 0311	
11	Lock Washer 14	1	1	1	420 947 980	420 947 980	
					402 1315	402 1315	
12	Hex. Nut M14 x 1.5	1	1	1	420 947 975	420 947 975	
					420 831 172	420 831 172	
13	Needle Cage	2	2	2	402 1330	402 1330	
					420 945 755	420 945 755	
14	Gudgeon Pin	2	2		402 1084	402 1084	
					420 942 200	420 942 200	
14	Gudgeon Pin			2	402 1086	402 1086	
					420 932 020	420 932 020	
15	Circlip	4	4	4	402 1352	402 1352	
					420 916 280	420 916 280	
					402 1339	402 1339	
					420 916 290	420 916 290	
					402 1340	402 1340	
					420 945 635	420 945 635	
					402 1312	402 1312	

**CRANKSHAFT, PISTONS
249 in 73 Only**

1974

ITEM NO.	DESCRIPTION	QUANTITY			PART NO.		
		248	249	294	1974	1973	1972
16-17	Piston Ass'y W/2R-Rings 54.0 Dia. Std.....	2				420 992 785	
17	Rectangular Ring 54.0 Dia. Std.....	4				402 1365 420 915 590 402 1335	
16-17	N Piston Ass'y W/R&L Rings 54.0 Dia. Std.....	2	2		420 993 400	420 992 780	
17	Rectangular Ring 54.0 Dia. Std.....	2	2		420 915 590 402 1335	402 1363 420 915 590 402 1335	
18	L-Trapez Ring 54.0 Dia. Std.....	2	2		420 215 110 402 2584	420 215 110 402 2584	
16-18	Piston Ass'y W/L-Ring 57.0 Dia. Std.			2		420 992 820	
18	L-Trapez Ring 57.0 Dia. Std.....			2		402 1367 420 915 610 402 1337	
16-17-	Piston Ass'y W/R&L Rings 57.0 Dia. Std.....			2	420 993 410		
17	Rectangular Ring 57.0 Dia. Std.....			2	402 1394 420 915 600		
18	L-Trapez Ring 57.0 Dia. Std.....			2	402 1399 420 915 610 402 1337		
16-18	Piston Ass'y W/L Ring 54.5 Dia. 1st Over.	2	2			420 992 781	
18	L-Trapez Ring 54.5 Dia. 1st Over.	2	2			402 1364 420 215 112 402 2570	
16-17-	Piston Ass'y W/R&L Rings 54.5 Dia. 1st Over.	2	2		420 993 401		
17	Rectangular Ring 54.5 Dia. 1st Over.	2	2		402 1396 420 915 591		
18	L-Trapez Ring 54.5 Dia. 1st Over.	2	2		402 1336 420 215 112 402 2570		
16-18	Piston Ass'y W/L Ring 57.5 Dia. 1st Over.			2		420 992 821	
18	L-Trapez Ring 57.5 Dia. 1st Over.			2		402 1368 420 915 611 402 1338	
16-17-	Piston Ass'y W/R&L Rings 57.5 Dia. 1st Over.			2	420 993 411		
17	Rectangular Ring 57.5 Dia. 1st Over.			2	402 1397 420 915 601		
18	L-Trapez Ring 57.5 Dia. 1st Over.			2	402 1400 420 915 611 402 1338		
19	Woodruff Key 3 x 3.7.....	1	1	1	420 246 050 402 1304	420 246 050 402 1304	
20	Laby Rinth Ring (See Service Bulletin No. 280-281) If Needed.....	1	1	1	414 2072	414 2072	

CYLINDERS, CYLINDER HEADS, MUFFLER
249 in 73 Only

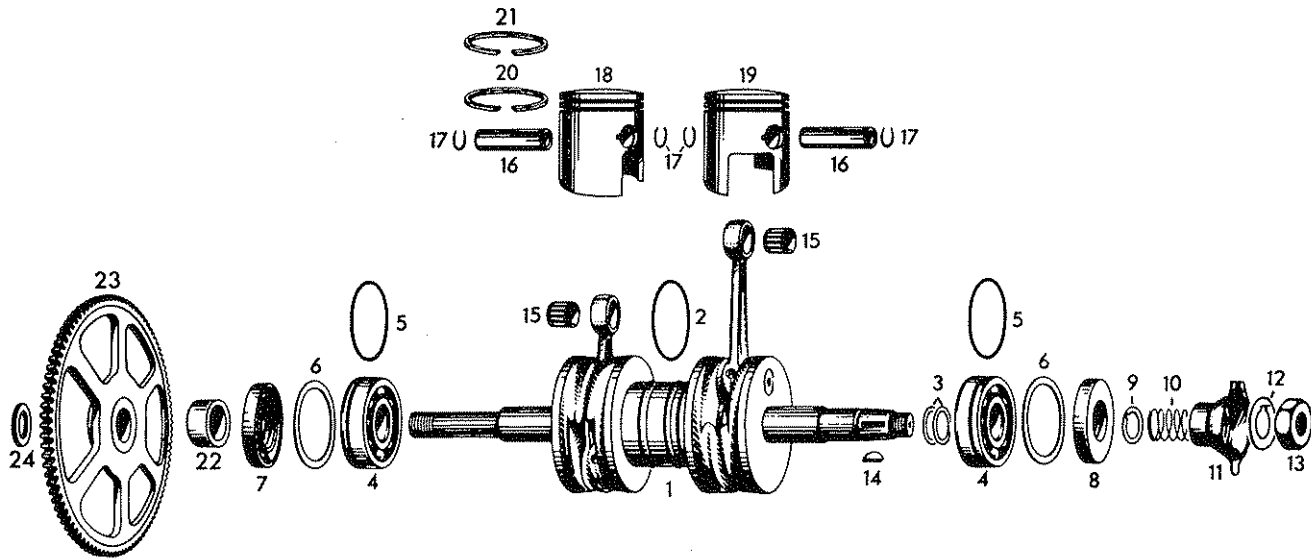


ITEM NO.	DESCRIPTION	QUANTITY			PART NO.	
		248	249	294	1974	1973
19	Numbers 1 to 18-46-47-48 in Section 12 (Crankcase) Gasket, Cylinder Flange.....	2	2	2	420 831 190 402 2579	420 831 190 402 2579
20	Cylinder W/Sleeve, P.T.O. Side	1	1		420 813 955 402 2572	420 813 955 402 2572
20	Cylinder W/Sleeve, P.T.O. Side			1	420 823 035 402 2576	420 823 035 402 2576
21	Cylinder W/Sleeve, Mag. Side.....	1	1		420 813 965 402 2573	420 813 965 402 2573
21	Cylinder W/Sleeve, Mag. Side.....			1	420 823 045 402 2577	420 823 045 402 2577
22	Gasket, Cylinder Head	2	2		420 831 210 402 2581	420 831 210 402 2581
22	Gasket, Cylinder Head			2	420 831 215 402 2582	420 831 215 402 2582
23	Cylinder Head P.T.O. Side.....	1	1		420 813 980 402 2574	420 813 980 402 2574
23	Cylinder Head P.T.O. Side.....			1	420 823 050 402 2578	420 823 050 402 2578
24	Cylinder Head Mag. Side	1	1		420 813 985 402 2575	420 813 985 402 2575
24	Cylinder Head Mag. Side			1	420 823 055 402 2585	420 823 055 402 2585
25	Washer 8.4 (Qty. was 8 on 294 in 73).....	8	8	7	420 250 311 402 0031	420 250 311 402 0031

CYLINDERS, CYLINDER HEADS, MUFFLER

1974

ITEM NO.	DESCRIPTION	QUANTITY			PART NO.	
		248	249	294	1974	1973
26	Hex. Nut M8 (Qty. was 7 on 248 & 8 on 294 in 73).....	6	8	7	420 242 201 402 0018	420 242 201 402 0018
27	N Support Sleeve.....	1		1	420 847 140	
28	N Distance Nut M8 5/16.....	1		1	420 842 220	
29	Distance Nut M8 5/16.....	1			420 842 080	420 842 080
30	Stud M8 x 30 (294 in 74 Only)	4	4	4	402 2143 420 240 600	402 2143 420 240 600
31	Gasket, Intake Manifold (294 in 74 Only).....	2	2	2	402 2022 420 830 112	402 2022 420 830 112
32	Isolating Flange (294 in 74 Only).....	1	1	1	402 2586 420 831 240	402 2586 420 831 240
33	Rubber Ring (294 in 74 Only)	1	1	1	402 2583 420 831 250	402 2583 420 831 250
34	Intake Manifold (294 in 74 Only).....	1	1	1	402 2587 420 867 200	402 2587 420 867 200
35	Lock Washer 8 (294 in 74 Only).....	4	4	4	402 2592 420 945 752	402 2592 420 945 752
36	Hex. Nut M8 (294 in 74 Only).....	4	4	4	402 0016 420 242 201	402 0016 420 242 201
37	Stud M8 x 18 (294 in 74 Only.....	2	2	2	402 0018 420 941 720	402 0018 420 941 720
38	Carburator Flange Gasket (294 in 74 Only).....	1	1	1	420 2003 404 0039	402 2003 404 0039
39	Tab Lock	2	2	2	513 0148	513 0148
	Isolating Washer (294 in 74 Only).....	2	2	2		420 830 150 402 2072
40	Hex Nut M8 (294 in 74 Only).....	2	2	2	420 242 201 402 0018	420 242 201 402 0018
41	Gasket, Exhaust Flange.....	2	2	2	420 831 200 402 2580	420 831 200 402 2580
42	Exhaust Manifold.....	1	1	1	420 873 600 402 2529	420 873 600 402 2529
43	Lock Washer 6.....	4	4	4	420 945 751 402 0015	420 945 751 402 0015
44	Cylinder Screw M6 x 25	4	4	4	420 840 860 402 2589	420 840 860 402 2589
45	N Sealing Ring (Asbesto String 310 MM. in 73)	2	2	2	420 831 415	420 831 281 402 2531
49	*stud M8 x 37		4	4		420 940 300 402 0123
50	*Carburator Flange Gasket		4	4		404 0039
51	*Isolating Flange		2	2		420 830 480 402 2170
52	*Isolating Washer.....		4	4		420 830 150 402 2072
53	*Hex. Nut M8.....		4	4		420 242 201 402 0018
54	Muffler	1			420 873 732 402 2600	420 873 730 402 2527
55	Tuned Muffler.....		1			420 873 745 402-2557
55	Tuned Muffler (Eian)			1	420 873 745 402 2557	
55	N Tuned Muffler (TNT).....			1	414 2059	420 873 740 402 2537
	*Indicates Parts Required For 249 (1973) Equipped with Twin Carburator (Non-Modified Unit). Item 30 through 40 should be Disregarded on These Models. For Further Information Refer to Service Bulletin No. 280-281					



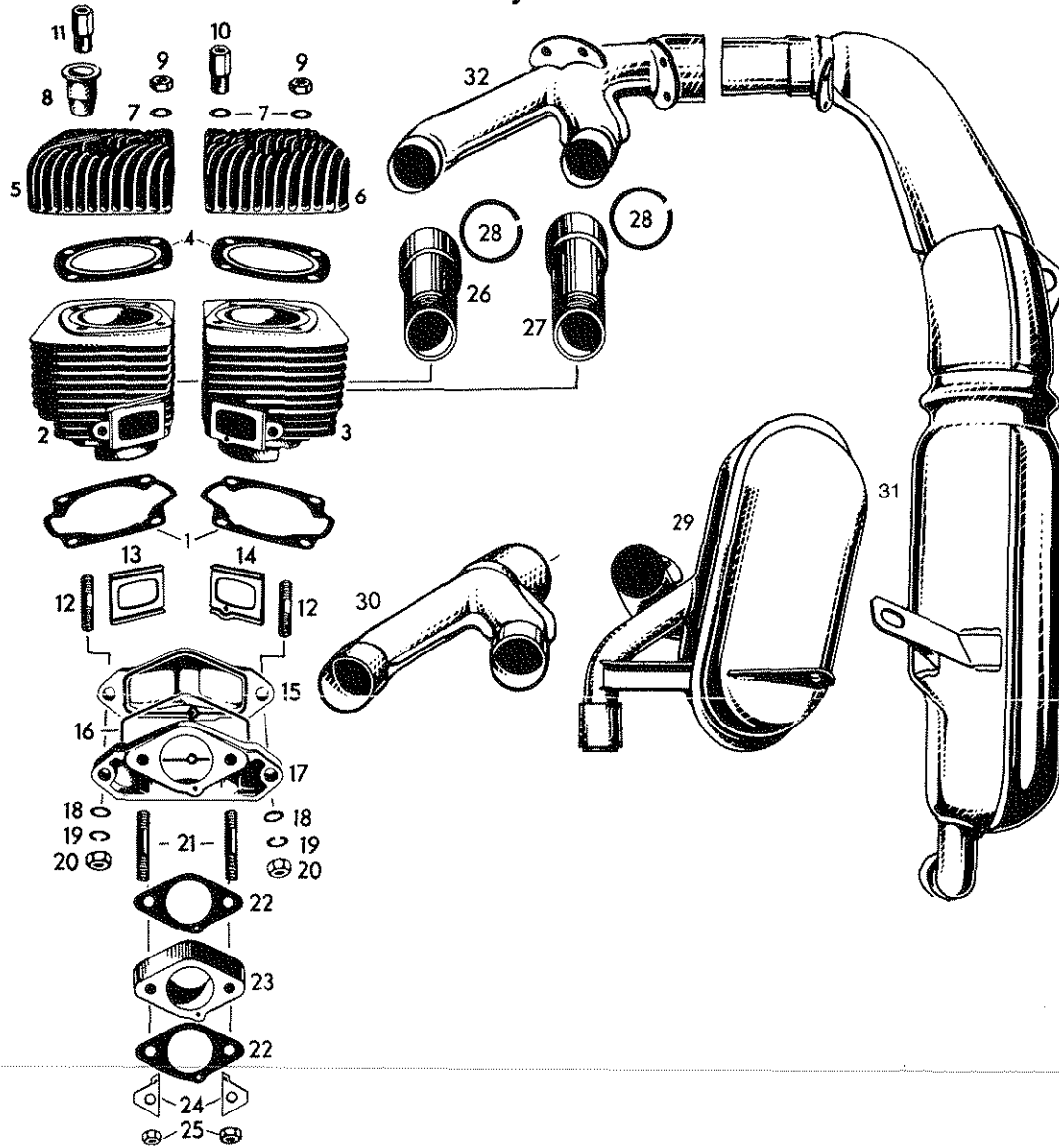
ITEM NO.	DESCRIPTION	QUANTITY			PART NO.		
		338	343	401	1974	1973	1972
1-2	Crankshaft Ass'y	1	1		420 992 860 402 1316	420 992 860 402 1316	420 984 930 402 1150
2	"O" Ring.....	3	2		420 830 350 402 1137	420 830 350 402 1137	420 830 350 402 1137
2	"O" Ring For Ball Bearing W/Groove Depth of 1.5 to 1.6 MM. (.059 To .063).....		1		420 830 350 402 1137	420 830 350 402 1137	420 830 350 402 1137
2	N "O" Ring For Ball Bearing W/Groove Depth of 1.2 to 1.3 MM. (.046 to .050).....		1		420 830 355		
1-2	Crankshaft Ass'y (Eng. No. Up To 2 200 300 in 73).....			1		420 984 932 402 1150	420 984 932 402 1150
1-2	Crankshaft Ass'y (Eng. No. From 2 200 301 in 73).....			1	420 992 860 402 1316	420 992 860 402 1316	
2	"O" Ring.....			3	420 830 350 402 1137	420 830 350 402 1137	420 830 350 402 1137
3	Shim 0.2 MM.....	AR	AR	AR	420 944 470 402 1023	420 944 470 402 1023	420 944 470 402 1023
3	Shim 0.3 MM.....	AR	AR	AR	420 944 471 402 1024	420 944 471 402 1024	420 944 471 402 1024
3	Shim 0.5 MM.....	AR	AR	AR	420 944 472 402 1025	420 944 472 402 1025	420 944 472 402 1025
3	Shim 1.0 MM.....	AR	AR	AR	420 944 473 402 1026	420 944 473 402 1026	420 944 473 402 1026
3	Shim 0.1 MM.....	AR	AR	AR	420 944 474 402 1126	420 944 474 402 1126	420 944 474 402 1126
4-5	N Ball Bearing.....	2	2	2	420 932 097	420 932 821 402 1142	420 932 821 402 1142
5	N "O" Ring.....	2	2	2	420 830 355	420 830 350 402 1137	420 830 350 402 1137
6	Retaining Washer.....	2	2	2	420 827 050 402 1135	420 827 050 402 1135	420 827 050 402 1135
7	Oil Seal.....	1	1	1	420 830 402 402 1317	420 830 402 402 1317	420 830 400 402 1138
8	Oil Seal.....	1	1	1	420 830 332 402 1318	420 830 332 402 1318	420 830 330 402 1136
9	Washer, Cam Spring.....	1	1	1	420 927 460 402 1035	420 927 460 402 1035	420 927 460 402 1035
10	Spring, Breaker Cam.....	1	1	1	420 938 071 402 1036	420 938 071 402 1036	420 938 071 402 1036
11	Breaker Cam.....	1	1	1	420 985 180 402 1156	420 985 180 402 1156	420 985 180 402 1156
12	Lock Washer.....	1	1	1	420 944 351 402 1040	420 944 351 402 1040	420 944 351 402 1040
13	Hex. Nut M18 x 1.5.....	1	1	1	420 942 220 402 1043	420 942 220 402 1043	420 942 220 402 1043
14	Woodruff Key 5 x 6.5.....	1	1	1	420 946 000 402 1010	420 946 000 402 1010	420 946 000 402 1010
15	Needle Cage.....	2	2	2	420 932 901 402 1033	420 932 900 402 1033	420 932 900 402 1033
16	Gudgeon Pin.....	2	2		420 916 260 402 1310	420 916 260 402 1310	420 916 260 402 1310

CRANKCASE, PISTONS, STARTER GEAR

1974

ITEM NO.	DESCRIPTION	QUANTITY			PART NO.		
		338	343	401	1974	1973	1972
16	Gudgeon Pin			2	420 916 135	420 916 135	420 916 135
17	Circlip	4	4	4	402 1063 420 945 735	402 1063 420 945 735	402 1063 420 945 735
18	Piston Ass'y W/2 Rings 59.5 Dia. S.T.O. Side	1			402 1067 420 992 620	402 1067 420 992 620	402 1067
19-20	Piston Ass'y W/2 Rings 59.5 Dia. Std. Mag. Side	1			402 1319 420 992 625	402 1319 420 992 625	
20	R-Ring 59.5 Dia. Std.	4			402 1323 420 915 321	402 1323 420 915 321	
18-20-21	Piston Ass'y W/L&R Rings 59.5 Dia. Std. P.T.O. Side ...		1		402 2413 420 992 460	402 2413 420 992 460	420 992 460
19-20-21	Piston Ass'y W/L&R Rings 59.5 Dia. Std. Mag. Side		1		420 2419 420 992 465	420 2419 420 992 465	420 2419
20	R-Rings 59.5 Dia. Std.		2		402 2418 420 915 321	402 2418 420 915 321	420 992 465 420 2418
21	L-Ring 59.5 Dia. Std.		2		402 2413 420 915 530	402 2413 420 915 530	420 915 321 420 2413
18-20	Piston Ass'y W/2 Rings 64.5 Dia. Std. P.T.O. Side			1	402 2411 420 985 500	402 2411 420 985 500	420 2411 420 985 500
19-20	Eng. No. Up To 2 200 300 (in 73)			1	402 1198 420 985 505	402 1198 420 985 505	402 1198 420 985 505
20	Piston Ass'y W/2 Rings 64.5 Dia. Std. Mag. Side			1	402 1200 420 915 245	402 1200 420 915 245	402 1200 420 915 245
18-20-21	Piston Ass'y W/L&R Rings 64.5 Dia. Std. P.T.O. Side ...			1	402 1186 420 985 970	402 1186 420 985 970	402 1186 420 985 970
19-20-21	Eng. No. From 2 200 301 (in 73)			1	402 1321 420 985 975	402 1321 420 985 975	402 1321
20	Piston Ass'y W/L&R Rings 64.5 Dia. Std. Mag. Side			1	402 1325 420 915 245	402 1325 420 915 245	420 985 975 402 1325
21	R-Ring 64.5 Dia. Std.			2	402 1186 420 915 450	402 1186 420 915 450	420 915 245 420 1186
18-20	Piston Ass'y W/2 Rings 60.0 Dia. 1st Over. P.T.O. Side	1			402 1286 420 992 621	402 1286 420 992 621	402 1286 420 992 621
19-20	Piston Ass'y W/2 Rings 60.0 Dia. 1st Over. Mag. Side	1			402 1320 420 992 626	402 1320 420 992 626	402 1320 420 992 626
20	R-Ring 60.0 Dia. 1st Oversize	4			402 1324 420 915 322	402 1324 420 915 322	402 1324 420 915 322
18-20-21	Piston Ass'y W/L&R Rings 60.0 Dia. 1st Over. P.T.O. Side		1		402 2412 420 992 461	402 2412 420 992 461	402 2412 420 992 461
19-20-21	Piston Ass'y W/L&R Rings 60.0 Dia. 1st Over. Mag. Side		1		402 2415 420 992 466	402 2415 420 992 466	402 2415 420 992 466
20	R-Ring 60.0 Dia. 1st Over.		2		402 2414 420 915 322	402 2414 420 915 322	402 2414 420 915 322
21	L-Ring 60.0 Dia. 1st Over.		2		402 2412 420 915 531	402 2412 420 915 531	402 2412 420 915 531
18-20	Piston Ass'y W/2 Rings 65.0 Dia. 1st Over. P.T.O. Side			1	402 2410 420 985 501	402 2410 420 985 501	402 2410 420 985 501
19-20	Eng. No. Up To 2 200 300 (in 73)			1	402 1199 420 915 322	402 1199 420 915 322	402 1199 420 915 322
20	Piston Ass'y W/2 Rings 65.0 Dia. 1st Over. Mag. Side ..			1	402 1201 420 985 506	402 1201 420 985 506	402 1201 420 985 506
18-20-21	Piston Ass'y W/L&R Rings 65.0 Dia. 1st Over. P.T.O. Side			1	402 1187 420 915 246	402 1187 420 915 246	402 1187 420 915 246
19-20-21	Piston Ass'y W/L&R Rings 65.0 Dia. 1st Over. Mag. Side			1	402 1187 420 985 971	402 1187 420 985 971	402 1187 420 985 971
20	R-Rings 65.0 Dia. 1st Over.			2	402 1322 420 985 976	402 1322 420 985 976	402 1322 420 985 976
21	L-Ring 65.0 Dia. 1st Over.			2	402 1326 420 915 246	402 1326 420 915 246	402 1326 420 915 246
22	Distance Sleeve 21 MM. (Manuel Engine)	1	1	1	402 1187 420 947 810	402 1187 420 947 810	402 1187 420 947 810
22	Distance Sleeve 14.5 MM. (Elect. Engine)	1	1	1	402 1287 420 947 820	402 1287 420 947 820	402 1287 420 947 820
23	Starter Gear 77T	1	1	1	402 1143 420 935 670	402 1143 420 935 670	402 1143 420 935 670
24	Washer 3 MM.	1	1	1	402 5049 420 827 060	402 5049 420 827 060	402 5049 420 827 060

CYLINDER, INTAKE MANIFOLD MUFFLER
338 Only 74-73



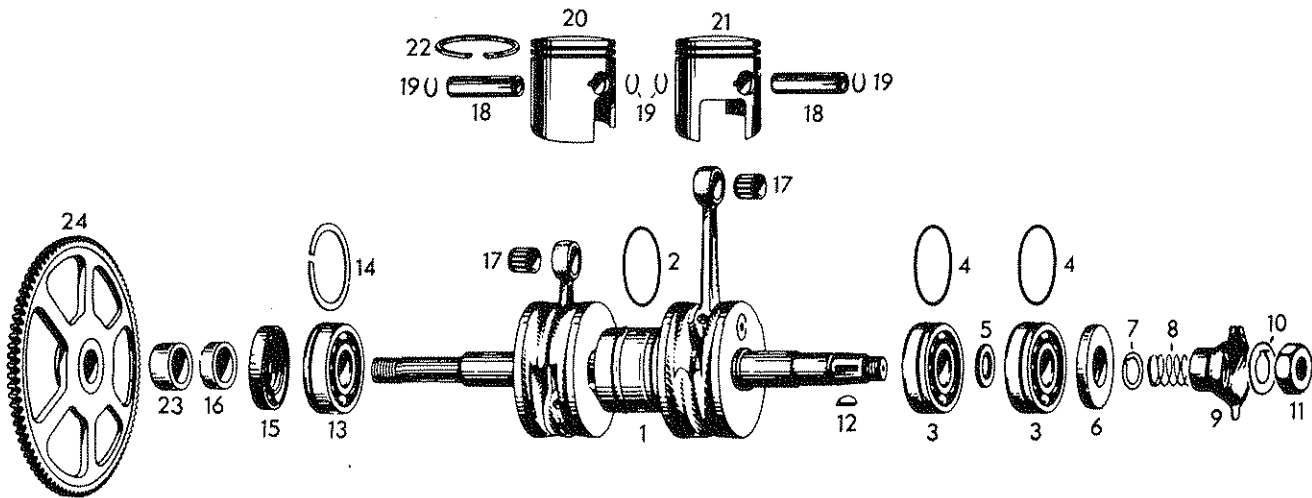
ITEM NO.	DESCRIPTION	QUANTITY			PART NO.		
		338	343	401	1974	1973	1972
1	Gasket Cylinder Flange.....	2	2	2	420 830 300 402 2132	420 830 300 402 2132	420 830 300 402 2132
2	Cylinder, P.T.O. Side	1			420 813 795 402 2424	420 813 865 402 2547	
2	Cylinder, P.T.O. Side		1		420 813 795 402 2424	420 813 795 402 2424	420 813 795 402 2424
2	Cylinder P.T.O. Side (Eng. No. Up To Serial Number 2 200 300 in 73 Only) ... (Eng. No. From Serial Number 2 200 301 in 73 Only)			1 1		420 913 978 402 2180 420 813 905 402 2548	420 913 978 402 2180 420 813 905 402 2548
3	Cylinder Magneto Side.....	1			420 813 875 402 2549	420 813 875 402 2549	
3	Cylinder Magneto Side.....		1		420 813 805 402 2423	420 813 805 402 2423	420 813 805 402 2423
3	Cylinder Magneto Side (Eng. No. Up To Serial Number 2 200 300 in 73 Only) ... (Eng. No. From 2 200 301 in 73 Only)			1 1		420 913 988 402 2181 420 813 915 402 2550	420 913 988 402 2181 420 813 915 402 2550
4	Gasket Cylinder Head.....	2	2		420 830 315 402 2420	420 830 315 402 2420	420 830 315 402 2420
4	Gasket Cylinder Head.....			2	420 830 310 402 2133	420 830 310 402 2133	420 830 310 402 2133
5	Cylinder Head P.T.O. Side.....	1			420 813 890 402 2551	420 813 890 402 2551	
5	Cylinder Head P.T.O. Side.....		1		420 813 810 402 2422	420 813 810 402 2422	420 813 810 402 2422

CYLINDER, INTAKE MANIFOLD MUFFLER
338 Only 74-73

1974

ITEM NO.	DESCRIPTION	QUANTITY			PART NO.		
		338	343	401	1974	1973	1972
5	Cylinder Head P.T.O. Side For High Altitude.....			1			420 913 994 402 2318
6	Cyl. Head Mag. Side	1			420 813 895 402 2552	420 813 895 402 2552	
6	Cyl. Head Mag. Side		1		420 813 815 402 2421	420 813 815 402 2421	420 813 815 402 2421
6	Cyl. Head Mag. Side			1	420 913 996 402 2409	420 913 996 402 2409	420 913 996 402 2409
6	Cyl. Head P.T.O. Side For High Altitude			1			420 913 999 402 2319
7	Washer 8.4.....	7	7	7	420 250 311 402 0031	420 250 311 402 0031	420 250 311 402 0031
8	Support Sleeve Cylinder Cowl	1	1	1	420 947 990 402 2553	420 947 990 402 2553	420 250 311 402 0031
9	Hex Nut M8	6	6	6	420 242 201 402 0018	420 242 201 402 0018	420 242 201 402 0018
10	Distance Nut M8/5/16"	1	1	1	420 842 080 402 2143	420 842 080 402 2143	420 842 080 402 2143
11	Distance Nut M8/5/16"	1	1	1	420 842 110 402 2145	420 842 110 402 2145	420 842 080 402 2143
12	Stud M8 x 34.....				420 840 300 402 2141	420 840 300 402 2141	420 840 300 402 2141
13	Intake Gasket P.T.O. Side	1	1	1	420 830 322 402 2554	420 830 322 402 2554	420 830 320 402 2134
14	Intake Gasket Magneto Side.....	1	1	1	420 830 327 402 2555	420 830 327 402 2555	420 830 320 402 2135
15	Intake Manifold.....	1	1	1	420 867 020 402 2148	420 867 020 402 2148	420 867 020 402 2148
16	Ring Gasket	1	1	1	420 830 390 402 2136	420 830 390 402 2136	420 830 390 402 2136
17	Intake Cover.....		1		420 867 045 402 2182	420 867 045 402 2182	420 867 045 402 2182
17	Intake Cover.....	1		1	420 867 040 402 2149	420 867 040 402 2149	420 867 040 402 2149
18	Washer 8.4.....	2	2	2	420 250 311 402 0031	420 250 311 402 0031	420 250 311 402 0031
19	Lock Washer 8	2	2	2	420 945 752 402 0016	420 945 752 402 0016	
20	Hex Nut M8	2	2	2	420 242 201 402 0018	420 242 201 402 0018	420 942 030 402 2106
21	Stud M8 x 41		2		420 940 850 402 2159	420 940 850 402 2159	420 940 850 402 2159
21	Stud M8 x 37	2		2	420 940 300 402 0123	420 940 300 402 0123	420 940 300 402 0123
22	Tillotson Flange Gasket.....	2	2	2	404 0039	404 0039	404 0039
23	Isolating Flange.....		2		420 830 495 402 2425	420 830 495 402 2425	420 830 490 402 2171
23	Isolating Flange (For 338 Only in 74-73).....	2		2	420 830 480 402 2170	420 830 480 402 2170	420 830 480 402 2170
24	Lock Plate		2		513 0147		
24	Isolating Washer.....	2	2	2	420 830 150 402 2072	420 830 150 402 2072	420 830 150 402 2072
25	Hex. Nut M8	2	2	2	420 242 201 402 0018	420 242 201 402 0018	420 242 201 402 0018
26	N Exhaust Socket Ass'y P.T.O. Side		1		420 873 662	420 873 660 402 2533	420 979 672 402 2443
26	Exhaust Socket Ass'y P.T.O. Side.....	1		1	420 873 660 402 2533	420 873 660 402 2533	420 979 670 402 2163
27	N Exhaust Socket Ass'y Magneto Side		1		420 873 667	420 873 665 402 2534	420 979 670 402 2163
27	Exhaust Socket Ass'y Magneto Side	1		1	420 873 665 402 2534	420 873 665 402 2534	420 979 675 402 2164
28	Sealing Ring.....		4		420 831 420		
28	N Asbestos String 310 MM.....	2	2	2	420 831 281	420 831 281 402 2531	
29	Muffler Ass'y.....	1		1	420 873 680 402 2525	420 873 680 402 2525	
29	Muffler Ass'y.....			1			420 873 191 402 2248
	Clamp 40 Dia. (Nordic-Alpine)			2			420 985 150 402 2166
	Clamp 42 Dia. (Nordic-Alpine)			1			420 985 160 402 2167
30	Exhaust Manifold Ass'y.....	1		1	420 873 375 402 2442	420 873 475 402 2442	
	Inlet Elbon (Nordic-Olympique).....			1			420 979 817 402 2247
31	N Tuned Muffler Ass'y		1		420 873 898	420 873 401 402 2524	420 873 400 402 2440
32	N Exhaust Manifold.....		1		420 873 990	420 873 470 402 2441	420 873 470 402 2441

CRANKSHAFT, PISTONS, STARTER GEAR in 74—434 Only



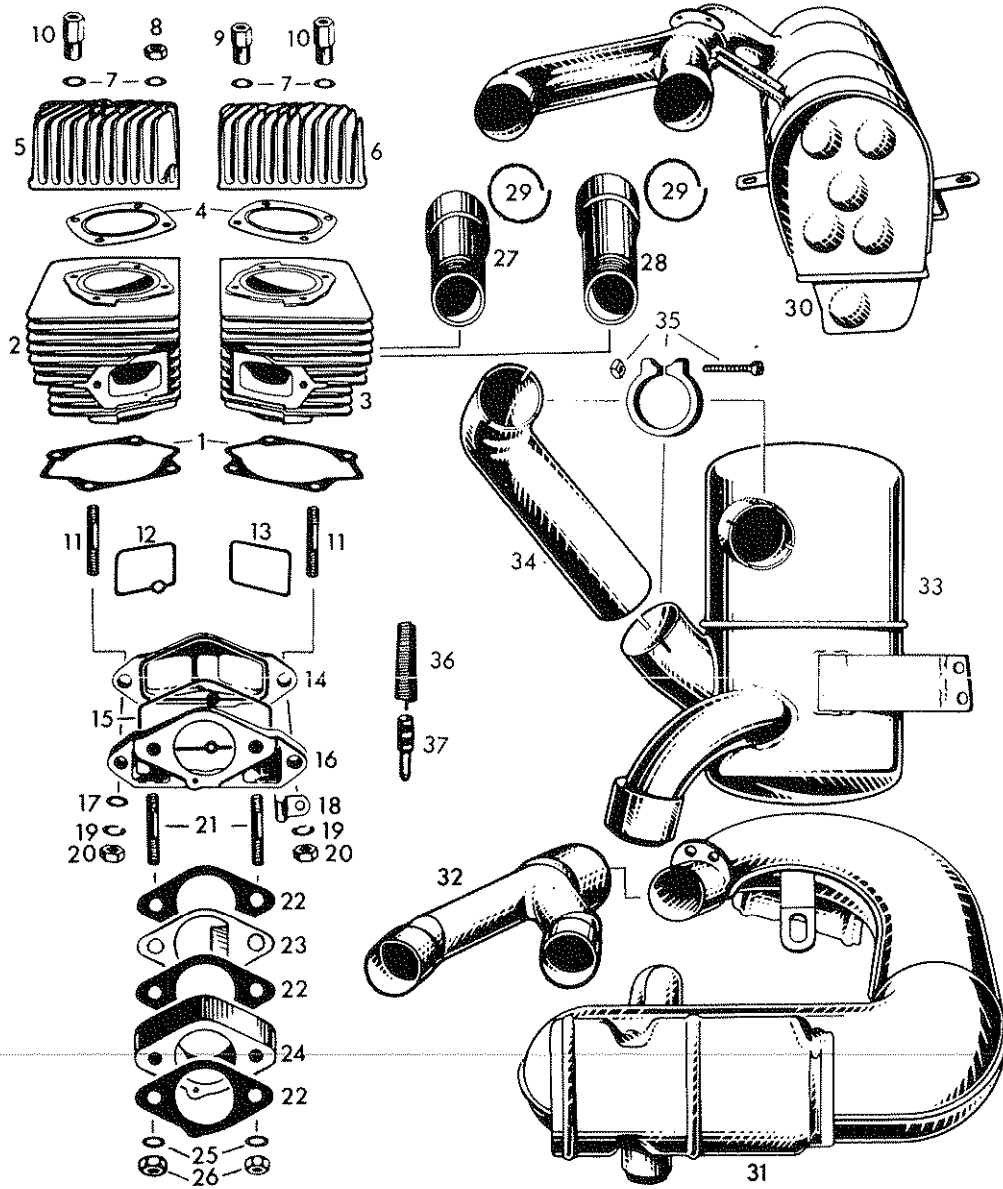
ITEM NO.	DESCRIPTION	QUANTITY		PART NO.		
		434	435	1974	1973	1972
1-2	Crankshaft Ass'y	1	1	420 992 055 402 1360	420 992 055 402 1360	420 992 050 402 1289
2	"O" Ring	3	3	420 830 350 402 1137	420 830 350 402 1137	420 830 350 402 1137
3	Ball Bearing	2	2	420 932 821 402 1142	420 932 821 402 1142	420 932 821 402 1142
4	"O" Ring	2	2	420 830 350 402 1137	420 830 350 402 1137	420 830 350 402 1137
5	Distance Ring 3MM	1	1	420 246 083 402 1290	420 246 083 402 1290	420 246 083 402 1290
6	Oil Seal	1	1	420 830 772 402 1371	420 830 772 402 1371	420 830 770 402 1291
7	Washer, Cam Spring	1	1	420 927 460 402 1035	420 927 460 402 1035	420 927 460 402 1035
8	Spring, Breaker Cam	1	1	420 938 071 402 1036	420 938 071 402 1036	420 938 071 402 1036
9	Breaker Cam	1	1	420 985 180 402 1156	420 985 180 402 1156	420 985 180 402 1156
10	Lock Washer	1	1	420 944 351 402 1040	420 944 351 402 1040	420 944 351 402 1040
11	Hex. Nut M18 x 1.5	1	1	420 942 220 402 1043	420 942 220 402 1043	420 942 220 402 1043
12	Woodruff Key 5 x 6.5	1	1	420 946 000 402 1010	420 946 000 402 1010	420 946 000 402 1010
13-14	Ball Bearing	1	1	420 832 090 402 1292	420 832 090 402 1292	420 832 090 402 1292
14	Groove Ring	1	1	420 845 070 402 1293	420 845 070 402 1293	420 845 070 402 1293
15	Oil Seal	1	1	420 830 402 402 1317	420 830 402 402 1317	420 830 400 402 1138
16	Distance Sleeve 16MM	1	1	420 947 910 402 1294	420 947 910 402 1294	420 947 910 402 1294
17	Needle Cage	2	2	420 932 900 402 1033	420 932 900 402 1033	420 932 900 402 1033
18	Gudgeon Pin	2	2	420 916 185 402 1080	420 916 185 402 1080	420 916 185 402 1080
19	Circlip, Gudgeon Pin	4	4	420 945 735 402 1067	420 945 735 402 1067	420 945 735 402 1067
20-22	Piston Ass'y W/2 R Rings 67.5 Dia. STD P.T.O. Side	1		420 992 240 402 2431	420 992 240 402 2431	420 992 240 402 2431
22	R-Ring 67.5 Dia. Std	2		420 915 461 402 1299	420 915 461 402 1299	420 915 461 402 1299
20-22	Piston Ass'y W/Ring 67.5 Dia. Std P.T.O. Side		1		420 992 910 402 1314	
22	L-Trapez Ring 67.5 Dia. Std		1		420 915 542 402 2523	
20-22	Piston Ass'y W/L&R Rings 67.5 Dia. Std. P.T.O. Side	1	1			420 992 070 402 1295
22	R-Ring 67.5 Dia. Std.	1	1			420 915 461 402 1299

**CRANKSHAFT, PISTONS, STARTER GEAR
in 74—434 Only**

1974

ITEM NO.	DESCRIPTION	QUANTITY		PART NO.		
		434	435	1974	1973	1972
22	L-Ring 67.5 Dia. Std.....	1	1			420 915 371 402 1229
21-22	Piston Ass'y W/2R Rings 67.5 Dia. Std. Mag. Side.....	1		420 992 245 402 2430	420 992 245 402 2430	420 992 245 402 2430
22	R-Ring 67.5 Dia. Std.	2		420 915 461 402 1299	420 915 461 402 1299	420 915 461 402 1299
21-22	Piston Ass'y W/Ring 67.5 Dia. Std. Mag. Side		1		420 992 915 402 1313	
22	L-Trapez Ring 67.5 Dia. Std.....		1		420 915 542 402 2523	
21-22	Piston Ass'y W/L8 R-Rings 67.5 Dia. Std. Mag. Side.....	1	1			420 992 075 402 1297
22	R-Ring 67.5 Dia. Std.	1	1			420 915 461 402 1299
22	L-Ring 67.5 Dia. Std.....	1	1			420 915 371 402 1229
20-22	Piston Ass'y W/2R Rings 68.0 Dia. 1st Oversize, P.T.O. Side.....	1		420 992 241 402 2417	420 992 241 402 2417	420 992 241 402 2417
22	R-Ring 68.0 Dia. 1st Oversize.....	2		420 915 462 402 1300	420 915 462 402 1300	420 915 462 402 1300
20-22	Piston Ass'y W/Ring 68.0 Dia. 1st Oversize P.T.O. Side		1		420 992 911 402 1369	
22	L-Trapez Ring 68.0 Dia. 1st Oversize		1		420 915 544 402 1334	
20-22	Piston Ass'y W/L8 R-Rings 68.0 Dia. 1st Oversize, P.T.O. Side....	1	1			420 992 071 402 1296
22	R-Ring 68.0 Dia. 1st Oversize.....	1	1			420 915 462 402 1300
22	L-Ring 68.0 Dia. 1st Oversize	1	1			420 915 372 402 1288
21-22	Piston Ass'y W/2 R-Rings 68.0 Dia. 1st Oversize Mag. Side	1		420 992 246 402 2416	420 992 246 402 2416	420 992 246 402 2416
22	R-Ring 68.0 Dia. 1st Oversize.....	2		420 915 462 402 1300	420 915 462 402 1300	420 915 462 402 1300
21-22	Piston Ass'y W/Ring 68.0 Dia. 1st Oversize Mag. Side.....		1		420 992 916 402 1370	
22	L-Trapez Ring 68.0 Dia. 1st Oversize		1		420 915 544 402 1334	
21-22	Piston Ass'y W/L&R Rings 68.0 Dia. 1st Oversize Mag. Side.....	1	1			420 992 076 402 1298
22	R-Ring 68.0 Dia. 1st Oversize.....	1	1			420 915 462 402 1300
22	L-Ring 68.0 Dia. 1st Oversize	1	1			420 915 372 402 1288
23	Distance Sleeve 21MM (Engine Manuel).....	1	1	420 947 810 402 1120	420 947 810 402 1120	420 947 810 402 1120
24	Starter Gear 77 Teeth	1		420 935 670 402 5049	420 935 670 402 5049	420 935 670 402 5049

CYLINDER, INTAKE MANIFOLD, MUFFLER
in 74—434 Only



ITEM NO.	DESCRIPTION	QUANTITY		PART NO.		
		434	435	1974	1973	1972
1	Gasket, Cylinder Flange.....	2	2	420 830 750 402 2352	420 830 750 402 2352	420 830 750 402 2352
2	Cylinder, P.T.O. Side.....	1		420 813 395 402 2353	420 813 395 402 2353	420 813 395 402 2353
2	Cylinder, P.T.O. Side.....		1		420 813 399 402 2429	420 813 399 402 2429
3	Cylinder, Mag. Side.....	1		420 813 405 402 2354	420 813 405 402 2354	420 813 405 402 2354
3	Cylinder, Mag. Side.....		1		420 813 409 402 2428	420 813 409 402 2428
4	Gasket, Cylinder Head.....	2	2	420 830 760 402 2326	420 830 760 402 2326	420 830 760 402 2326
5	Cylinder Head P.T.O. Side.....	1		420 813 414 402 2427	420 813 414 402 2427	420 813 410 402 2322
5	Cylinder Head P.T.O. Side.....		1		420 813 413 402 2571	420 813 414 402 2427
6	Cylinder Head Mag. Side.....	1		420 813 419 402 2426	420 813 419 402 2426	420 813 415 402 2324
6	Cylinder Head, Mag. Side.....		1		420 813 419 402 2426	420 813 419 402 2426

**CYLINDER, INTAKE MANIFOLD, MUFFLER
in 74—434 Only**

1974

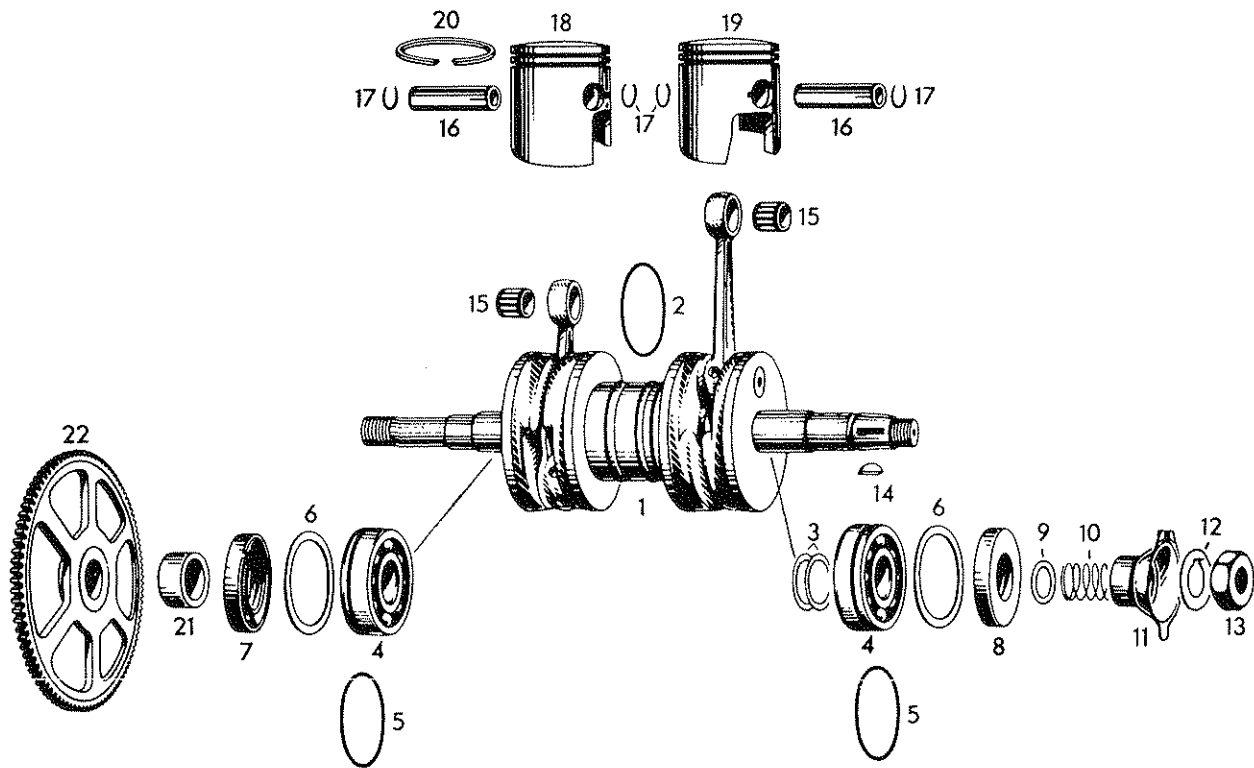
ITEM NO.	DESCRIPTION	QUANTITY		PART NO.		
		434	435	1974	1973	1972
7	Washer 8.4.....	8	8	420 250 311 402 0031	420 250 311 402 0031	420 250 311 402 0031
8	Hex. Nut M8.....	5	7	420 242 201 402 0018	420 242 201 402 0018	
8	Hex. Nut.....	8			420 242 201	
8	Hex. Nut M8 (For Engine No. Up To 2355 407).....		8			402 0018 420 242 201
8	Hex. Nut M8 (For Engine No. From 2355 408).....		7			402 0018 420 242 201 402 0018
9	Distance Nut M8/5/16 (For Alp.—Val.—Elite—T'NT).....	1		420 842 080 402 2143	420 842 080 402 2143	
9	Distance Nut M8/5/16 (For Engine No. From 2355 408).....		1			420 842 080 402 2143
10	Distance Nut M8 (For Olympique Only).....	3		420 842 110 402 2145	420 842 110 402 2145	
10	Distance Nut M8 (On 434, For Alp.—Val.—Elite—T'NT).....	2	1	420 842 110 402 2145	420 842 110 402 2145	
11	Stud M8 x 64.....	2		420 840 905 402 2545	420 840 905 402 2545	420 940 850 402 2159
11	Stud M8 x 41.....		2		420 940 850 402 2159	420 940 850 402 2159
12	Profile Gasket, P.T.O. Side.....	1	1	420 830 970 402 2436	420 830 970 402 2436	420 830 970 402 2436
13	Profile Gasket, Mag. Side.....	1	1	420 830 975 402 2437	420 830 975 402 2437	420 830 975 402 2437
14	Intake Manifold.....	1	1	420 867 065 402 4364	420 867 065 402 4364	420 867 065 402 4364
15	Ring Gasket.....	1	1	420 830 440 402 2140	420 830 440 402 2140	420 830 440 402 2140
16	Intake Cover (Olympique Only).....	1		420 867 075 402 4343	420 867 075 402 4343	
16	Intake Cover.....	1		420 867 070 402 2151	420 867 070 402 2151	420 867 075 402 4343
16	Intake Cover.....		1		420 867 070 402 2151	420 867 070 402 2151
17	Washer 8.4.....	2	1	420 250 311 402 0031	420 250 311 402 0031	420 250 311 402 0031
18	Ignition Cable Bracket.....	1	1	420 853 200 402 4288	420 853 200 402 4288	402 4288
19	Lock Washer 8.....	2	2	420 945 752 402 0016	420 945 752 402 0016	
20	Hex. Nut M8.....	2	2	420 242 201 402 0018	420 242 201 402 0018	420 942 030 402 2106
21	Stud M8 x 37.....	2		420 940 300 402 0123	420 940 300 402 0123	420 940 300 402 0123
21	Stud M8 x 41.....	2		420 940 850 402 2159	420 940 850 402 2159	420 940 300 402 0123
21	Stud M8 x 41.....		2		420 940 850 402 2159	420 940 850 402 2159
22	Flange Gasket (Olympique).....	2		404 0039	404 0039	
22	Flange Gasket (Nordic—Valmont—Alpine—Elite).....	2		404 0212	404 0212	404 0039
22	Flange Gasket (T'NT).....		3		404 0308	404 0308
23	Intake Shield.....		1		420 867 240 402 2596	
24	Isolating Flange (Olympique).....	1			420 830 480 402 2170	
24	Isolating Flange.....	1		420 830 495 402 2425	420 830 495 402 2425	420 830 480 402 2170
24	Isolating Flange.....		1		420 830 495 402 2425	420 830 495 402 2425
25	Isolating Washer.....	2	2	420 830 150 402 2072	420 830 150 402 2072	420 830 150 402 2072
26	Hex. Nut M8.....	2	2	420 242 201 402 0018	420 242 201 402 0018	420 242 201 402 0018
27	Exhaust Socket P.T.O. Side.....	1		420 873 710 402 2593	420 873 710 402 2593	420 873 270 402 2355
27	Exhaust Socket P.T.O. Side.....		1		420 873 710 402 2593	420 873 275 402 2438
28	Exhaust Socket Mag. Side.....	1		420 843 715 402 2594	420 873 715 402 2594	420 873 280 402 2356
28	Exhaust Socket Mag. Side.....		1		420 873 715 402 2594	420 873 285 402 2439
29	Asbesto String 310mm.....	6	6	420 831 281 402 2531	420 831 281 402 2531	
30	Muffler Ass'y (Alp.—Val.).....	1		420 873 755 402 2544	420 873 755 402 2544	420 873 380 402 2406
30	N Muffler Ass'y (Elite).....	1		420 878 080	420 873 758 402 2598	
31	Muffler Ass'y (Olympique—T'NT).....	1	1		420 873 401 402 2524	420 873 400 402 2440

CYLINDER, INTAKE MANIFOLD, MUFFLER
in 74—434 Only (For Illustration See Previous Page)

ITEM NO.	DESCRIPTION	QUANTITY		PART NO.		
		434	435	1974	1973	1972
32	Exhaust Manifold (Olympique).....	1			420 873 485 402 2543	
32	Exhaust Manifold (T'NT).....		1		420 873 480 402 2530	420 873 475 402 2442
32	N Exhaust Manifold (Elite).....	1		420 878 090	420 873 865 402 2599	
33	Muffler Ass'y (Nordic).....	1				420 873 290 402 2327
33	Muffler Ass'y (Val. — Alp.).....	1				420 873 380 402 2406
34	Inlet Elbow (Nordic).....	1				420 873 300 402 2357
34	Inlet Tube (Val. — Alp.).....	1				420 873 390 402 2405
35	Clamp.....	AR				414 1016
	Washer (Quantity, For Each Clamp).....	2				392 0022
	Nut (Quantity, For Each Clamp).....	2				380 9022

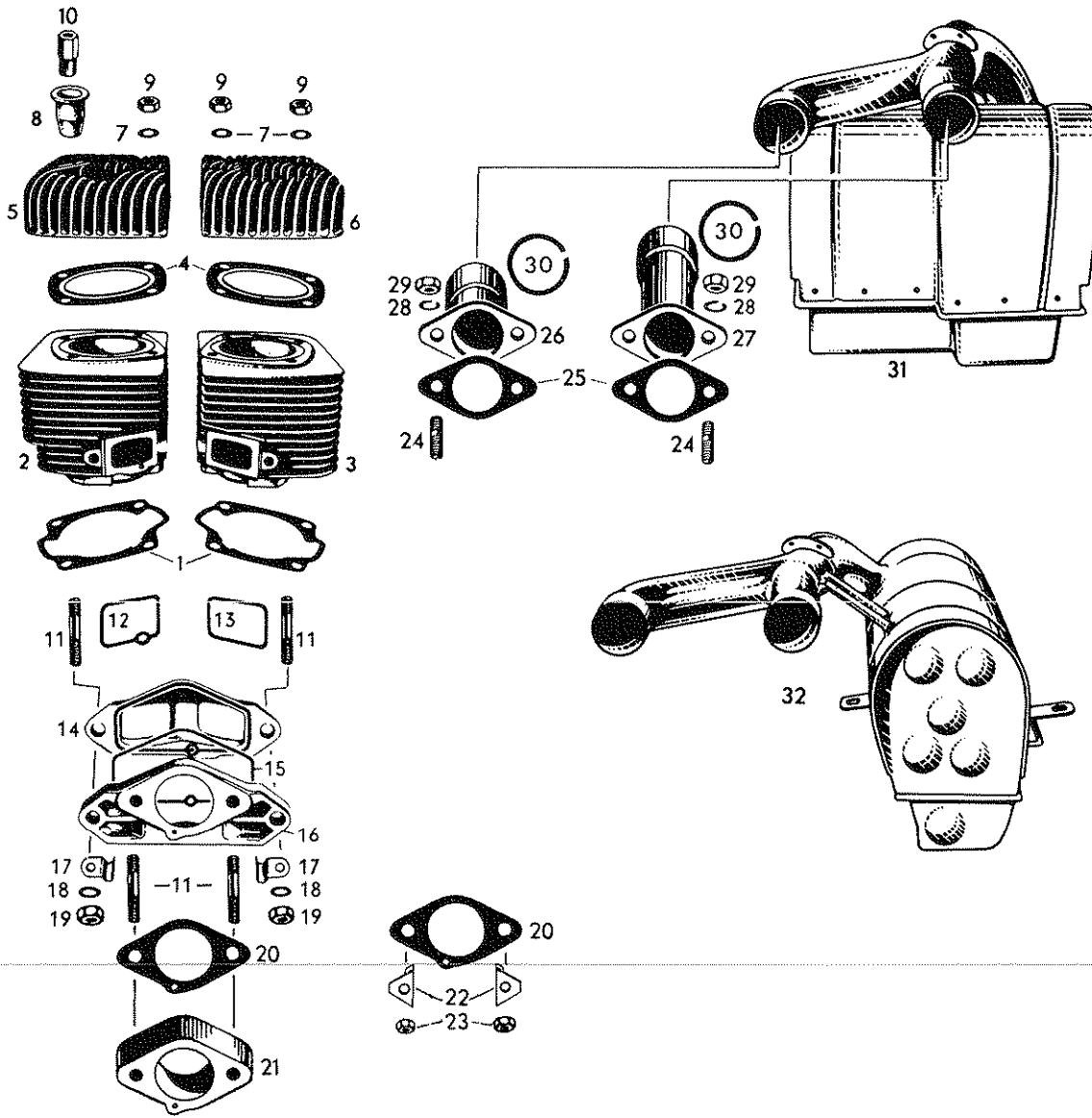


CRANKSHAFT, PISTONS, STARTER GEAR (640E)



ITEM NO.	DESCRIPTION	QUANTITY		PART NO.		
		Nord.	Alp.	1974	1973	1972
1-2	N Crankshaft Ass'y	1		420 992 707	420 992 700	420 985 142
1-2	Crankshaft Ass'y		1	420 992 700	420 992 700	420 985 142
2	"O" Ring	2	3	402 1327	402 1327	402 1197
2	"O" Ring For Ball Bearing W/Groove Width Of 3MM (.118).....	1		420 830 370	420 830 370	420 830 370
2	"O" Ring For Ball Bearing W/Groove Width Of 2MM (.078).....	1		402 1119	402 1119	402 1119
2	"O" Ring For Ball Bearing W/Groove Width Of 2MM (.078).....	1		420 830 350	420 830 350	420 830 370
3	Shim 1.0MM	AR	AR	402 1137	402 1137	402 1119
3	Shim 0.15MM	AR	AR	420 944 580	420 944 580	420 944 580
3	Shim 0.3MM	AR	AR	402 1112	402 1112	402 1112
3	Shim 0.2MM	AR	AR	420 944 581	420 944 581	420 944 581
3	Shim 0.2MM	AR	AR	402 1113	402 1113	402 1113
4-5	N Ball Bearing	2		420 944 582	420 944 582	420 944 582
4	Ball Bearing		2	402 1114	402 1114	402 1114
5	"O" Ring For Ball Bearing W/Groove Width Of 3MM (.118).....	2	2	420 944 586	420 944 586	420 944 586
5	"O" Ring For Ball Bearing W/Groove Width Of 2MM (.078).....	2		402 1115	402 1115	402 1115
6	Retaining Disk	2	2	420 932 087	420 832 010	420 832 010
7-8	Oil Seal	2	2	402 1139	402 1139	402 1139
9	Washer, Cam Spring (Nordic In 73-72 Only).....	1	1	420 832 010	420 832 010	420 832 010
10	Spring, Breaker Cam (Nordic In 73-72 Only)	1	1	420 832 010	420 832 010	420 832 010
11	Breaker Cam (Nordic In 73-72 Only).....	1	1	420 930 940	420 930 940	420 930 940
12	N Lock Washer	1		402 1101	402 1101	402 1101
12	Lock Washer		1	420 944 473	420 944 473	420 944 473
13	Hex. Nut M22 x 1.5.....	1		402 1026	402 1026	402 1026
				420 938 071	420 938 071	420 938 071
				402 1036	402 1036	402 1036
				420 985 180	420 985 180	420 985 180
				402 1156	402 1156	402 1156
				420 845 120	420 944 351	420 944 351
				402 1040	402 1040	402 1040
				420 944 351	420 944 351	420 944 351
				402 1040	402 1040	402 1040
				420 842 230	420 942 220	420 942 220
				402 1373	402 1043	402 1043

ITEM NO.	DESCRIPTION	QUANTITY		PART NO.		
		Nord.	Alp.	1974	1973	1972
13	Hex. Nut M18 x 1.5.....		1	420 942 220 402 1043	420 942 220 402 1043	420 942 220 402 1043
14	Woodruff Key 3 x 3.7.....	1		420 246 050 402 1304	420 946 000 402 1010	420 946 000 402 1010
14	Woodruff Key 5 x 6.5.....		1	420 946 000 402 1010	420 946 000 402 1010	420 946 000 402 1010
15	Needle Cage	2	2	420 932 901 402 1033	420 932 901 402 1033	420 932 901 402 1033
16	Gudgeon Pin	2	2	420 916 180 402 1064	420 916 180 402 1064	420 916 180 402 1064
17	Circlip Gudgeon Pin	4	4	420 945 735 402 1067	420 945 735 402 1067	420 945 735 402 1067
18-20	Piston Ass'y W/2 Rings 76.0 Dia. Std. P.T.O. Side	1		420 993 360 402 1404	420 985 130 402 1151	420 985 130 402 1151
20	Rectangular Ring 76.0 Dia. Std.....	2		420 915 250 402 1132	420 915 250 402 1132	420 915 250 402 1132
18-20	Piston Ass'y W/2 Rings 76.0 Dia. Std. P.T.O. Side		1	420 985 130 402 1151	420 985 130 402 1151	420 985 130 402 1151
20	Rectangular Ring 76.0 Dia. Std.....		2	420 915 250 402 1132	420 915 250 402 1132	420 915 250 402 1132
19-20	Piston Ass'y W/2 Rings 76.0 Dia. Std. Mag. Side.....	1		420 993 365 402 1405	420 985 135 402 1153	420 985 135 402 1153
20	Rectangular Ring 76.0 Dia. Std.....	2		420 915 250 402 1132	420 915 250 402 1132	420 915 250 402 1132
19-20	Piston Ass'y W/2 Rings 76.0 Dia. Std. Mag. Side.....		1	420 985 135 402 1153	420 985 135 402 1153	420 985 135 402 1153
20	Rectangular Ring 76.0 Dia. Std.....		2	420 915 250 402 1132	420 915 250 402 1132	420 915 250 402 1132
18-20	Piston Ass'y W/2 Rings 76.5 Dia. 1st Over. P.T.O. Side	1		420 993 361 402 1402	420 985 131 402 1152	420 985 131 402 1152
20	Rectangular Ring 76.5 Dia. 1st Over.....	2		420 915 251 402 1133	420 915 251 402 1133	420 915 251 402 1133
18-20	Piston Ass'y W/2 Rings 76.5 Dia. 1st Over. P.T.O. Side		1	420 985 131 402 1152	420 985 131 402 1152	420 985 131 402 1152
20	Rectangular Ring 76.5 Dia. 1st Over.....		2	420 915 251 402 1133	420 915 251 402 1133	420 915 251 402 1133
19-20	Piston Ass'y W/2 Rings 76.5 Dia. 1st Over. Mag. Side	1		420 993 366 402 1403	420 985 136 402 1154	420 985 136 402 1154
20	Rectangular Ring 76.5 Dia. 1st Over.....	2		420 915 251 402 1133	420 915 251 402 1133	420 915 251 402 1133
19-20	Piston Ass'y W/2 Rings 76.5 Dia. 1st Over. Mag. Side		1	420 985 136 402 1154	420 985 136 402 1154	420 985 136 402 1154
20	Rectangular Ring 76.5 Dia. 1st Over.....		2	420 915 251 402 1133	420 915 251 402 1133	420 915 251 402 1133
21	Distance Sleeve 24MM, Engine Without Electric Starter Only.....	1	1	420 947 832 402 1196	420 947 832 402 1196	420 947 832 402 1196
22	Starter Gear 86 Teeth	1	1	420 935 682 402 7075	420 935 682 402 7075	420 935 682 402 7075



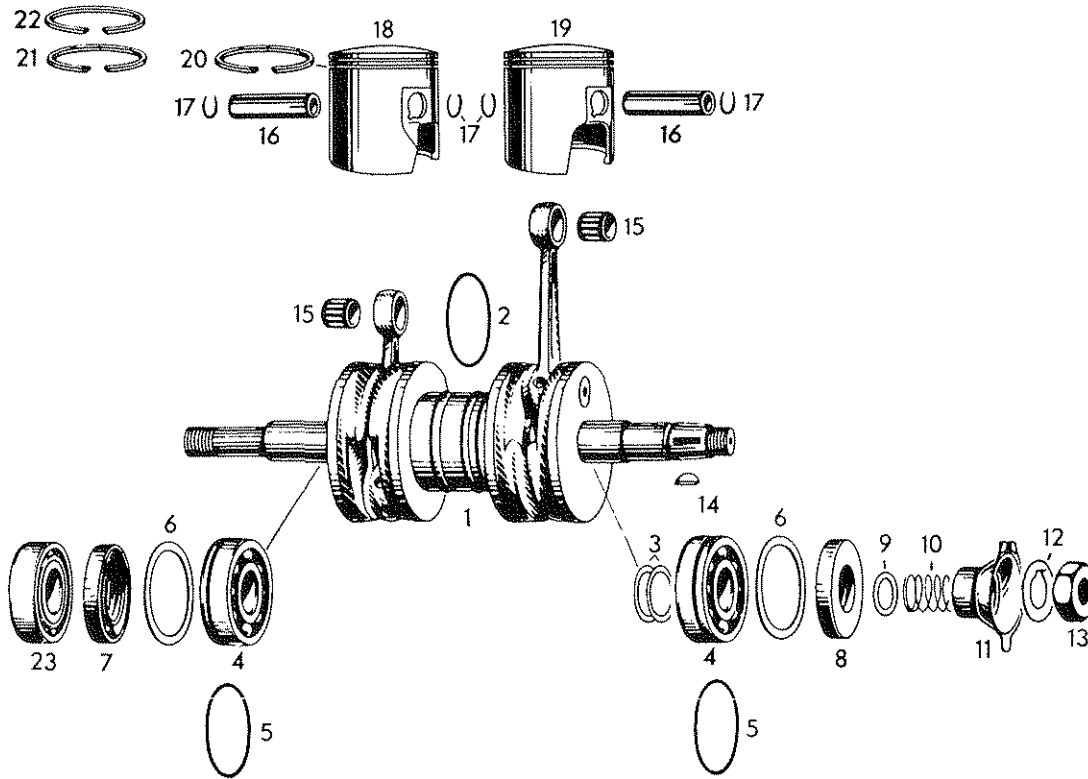
ITEM NO.	DESCRIPTION	QUANTITY		PART NO.		
		Nord.	Alp.	1974	1973	1972
1	Gasket Cylinder Flange.....	2	2	420 830 425	420 830 425	420 830 425
2	Cylinder P.T.O. Side.....		1	402 2137	402 2137	402 2137
2	Cylinder P.T.O. Side.....	1		420 813 145	420 813 145	420 813 045
2	Cylinder P.T.O. Side.....			402 2202	402 2202	402 2127
2	Cylinder P.T.O. Side.....			420 813 049	420 813 145	420 813 045
3	Cylinder Magneto Side.....		1	402 2202	402 2202	402 2127
3	Cylinder Magneto Side.....	1		420 813 155	420 813 155	420 813 055
3	Cylinder Magneto Side.....			402 2203	402 2203	402 2128
3	Cylinder Magneto Side.....	1		420 813 057	420 813 155	420 813 055
4	Gasket Cylinder Head.....	2	2	402 2203	402 2203	402 2128
4	Gasket Cylinder Head.....			420 930 105	420 930 105	420 930 105
5	Cylinder Head Std. P.T.O. Side Compratio 9.0.....	1	1	402 2101	402 2101	402 2101
5	Cylinder Head For High Altitude P.T.O. Side Compratio 11.5.....	1	1	420 813 060	420 813 060	420 813 060
5	Cylinder Head For High Altitude P.T.O. Side Compratio 11.5.....			402 2129	402 2129	402 2129
5	Cylinder Head For High Altitude P.T.O. Side Compratio 11.5.....					420 813 062
5	Cylinder Head For High Altitude P.T.O. Side Compratio 11.5.....					402 2314
6	Cylinder Head Std. Magneto Side Compratio 9.0.....	1	1	420 813 065	420 813 065	420 813 065
6	Cylinder Head Std. Magneto Side Compratio 9.0.....			402 2130	402 2130	402 2130
6	Cylinder Head For High Altitude, Magneto Side Compratio 11.5....	1	1			420 813 067
6	Cylinder Head For High Altitude, Magneto Side Compratio 11.5....					402 2315

CYLINDERS INTAKE MANIFOLD MUFFLER

1974

ITEM NO.	DESCRIPTION	QUANTITY		PART NO.		
		Nord.	Alp.	1974	1973	1972
7	Washer 8.4 (In 1972 For Nord & Alp. The Quantity Was 8).....	7	7	420 250 311 402 0031	420 250 311 402 0031	420 250 311 402 0031
8	Support Sleeve.....	1	1	420 847 010 402 2560	420 847 010 402 2560	420 847 010 402 2560
9	Hex. Nut M8 (In 1972 The Quantity Was 5 For Nord. & Alp.).....	7	7	420 242 201 402 0018	420 242 201 402 0018	420 242 201 402 0018
10	Distance Nut M8/5/16" (In 1972 The Quantity Was 3 For Nord. & Alp.).....	1	1	420 842 110 402 2145	420 842 110 402 2145	420 842 110 402 2145
11	Stud M8 x 41.....	4	4	420 940 850 402 2159	420 940 850 402 2159	420 940 850 402 2159
12	Profile Gasket P.T.O. Side.....	1	1	420 830 970 402 2436	420 830 970 402 2436	420 830 970 402 2436
13	Profile Gasket Magneto Side.....	1	1	420 830 975 402 2437	420 830 975 402 2437	420 830 975 402 2437
14	Intake Manifold.....	1	1	420 867 065 402 4364	420 867 065 402 4364	420 867 065 402 4364
15	Ring Gasket.....	1	1	420 830 440 402 2140	420 830 440 402 2140	420 830 440 402 2140
16	Intake Cover.....	1	1	420 867 070 402 2151	420 867 070 402 2151	420 867 070 402 2151
17	Bracket Ignition Cable.....	2		420 853 200 402 4288		
18	Lock Washer 8 (In 1972 Nord. & Alp. Washer Was 8.4).....	2	2	420 945 752 402 0016	420 945 752 402 0016	420 250 311 402 0031
19	Hex. Nut M8.....	2	2	420 242 201 402 0018	420 242 201 402 0018	420 942 030 402 2106
20	Tillotson Carburetor Flange Gasket.....	2	2	404 0212	404 0212	404 0212
21	Isolating Flange.....	1	1	420 830 495 402 2425	420 830 495 402 2425	420 830 490 402 2171
22	Isolating Washer (Except For Nor 1974).....	2	2	420 830 150 402 2072	420 830 150 402 2072	420 830 150 402 2072
23	Hex. Nut M8.....	2	2	420 242 201 402 0018	420 242 201 402 0018	420 242 201 402 0018
24	Stud M8 x 19.....	4	4	420 940 065 402 2038	420 940 065 402 2038	420 940 065 402 2038
25	Gasket Exhaust Flange.....	2	2	420 830 270 402 2100	420 830 270 402 2100	420 830 270 402 2100
26	Exhaust Socket, P.T.O. Side.....	1	1	420 873 505 402 2561	420 873 505 402 2561	420 979 665 402 2113
27	Exhaust Socket, Magneto Side.....	1	1	420 873 510 402 2562	420 873 510 402 2562	420 979 660 402 2109
28	Lock Washer 8.....	4	4	420 945 752 402 0016	420 945 752 402 0016	420 945 752 402 0016
29	Hex. Nut M8.....	4	4	420 242 201 402 0018	420 242 201 402 0018	420 242 201 402 0018
30	Sealing Ring (For Nordic 1974 Quantity = 4).....	6	6	420 831 415	420 831 281 402 2531	
31	Mufflers Ass'y.....	1		420 873 760 402 2536	420 873 760 402 2536	420 873 375 402 2365
	Inlet Elbow.....	1				420 873 090 402 2195
	Clamp.....	3				414 1076
	Washer.....	6				392 0022
	Nut.....	6				380 9022
32	Muffler Ass'y.....		1	420 873 765 402 2558	420 873 765 402 2558	420 873 012 402 2288
	Inlet Tube.....		1			420 873 022 402 2289
	Clamp Ass'y 51".....		4			414 1076
	Washer.....		8			392 0022
	Nut.....		8			380 9022
	Hex. Screw M8 x 16.....		1			420 940 580 402 2190
	Lock Washer 8.....		1			420 945 752 402 0016
	Hex. Nut 8.....		1			420 422 201 402 0018
	Muffler Bracket.....		1			512 0098

CRANKSHAFT, PISTONS

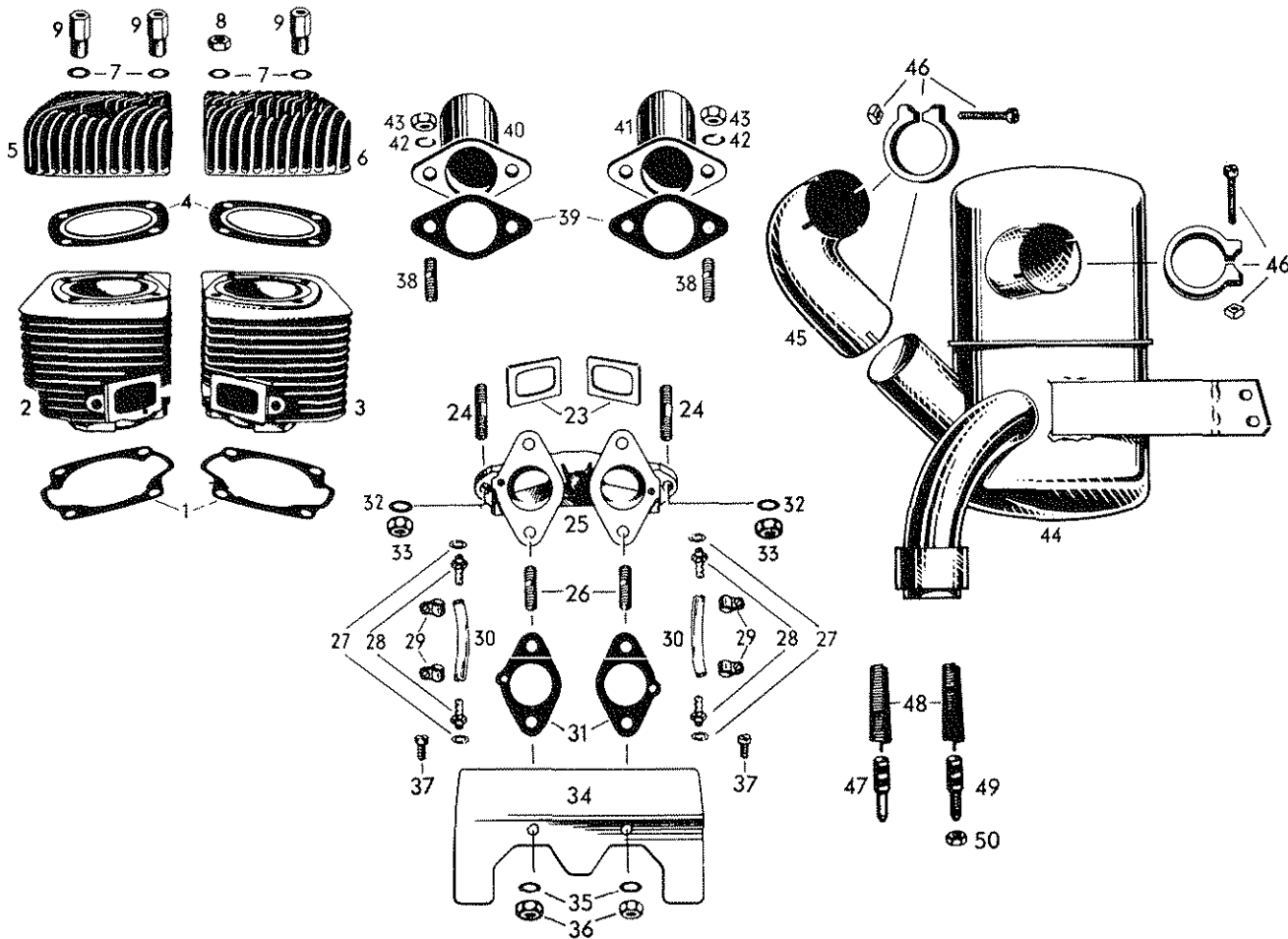


ITEM NO.	DESCRIPTION	QUANTITY		PART NO.	
		641	775		1972
1-2	Crankshaft Ass'y	1			420 985 660 402 1206
1-2	Crankshaft Ass't		1		420 985 625 402 1277
2	"O" Ring	3	3		420 830 370 402 1119
3	Shim 1.0MM	AR	AR		420 944 580 402 1112
3	Shim 0.15MM	AR	AR		420 944581 402 1113
3	Shim 0.3MM	AR	AR		420 944 582 402 1114
3	Shim 0.2MM	AR	AR		420 944 586 402 1115
4	Ball Bearing	2	2		420 832 010 402 1139
5	"O" Ring	2	2		420 830 370 402 1119
6	Retaining Disk	2	2		420 927 710 402 1108
7-8	Oil Seal	2	2		420 930 940 420 1101
9	Washer, Cam Spring	1	1		420 944 473 402 1026
10	Spring Breaker Cam	1	1		420 938 071 402 1036
11	Breaker Cam	1	1		420 985 180 402 1156
12	Lock Washer	1	1		420 944 351 402 1040
13	Hex. Nut M18 x 1.5	1	1		420 942 220 402 1043
14	Woodruff Key 5 x 6.5	1	1		420 946 000 402 1010
15	Needle Cage	2	2		420 932 901 402 1033
16	Gudgeon Pin	2			420 916 180 402 1064
16	Gudgeon Pin		2		420 916 190 402 1216
17	Circlip, Gudgeon Pin	4	4		420 945 735 402 1067

CRANKSHAFT, PISTONS

1974

ITEM NO.	DESCRIPTION	QUANTITY		PART NO.		
		641	775			1972
18-20	Piston Ass'y W/2 Rings 76.0 Dia. Std. P.T.O. Side	1				420 992 160
20	Rectangular Ring 76.0 Dia. Std.....	1				402 1342 420 915 390
20	Rectangular Ring 76.0 Dia. Std.....	1				402 1232 420 915 250 402 1132
18-21	Piston Ass'y W/L&R Rings 76.0 Dia. Std. P.T.O. Side	1				420 985 630
22	Rectangular Ring 76.0 Dia. Std.....	1				402 1202 420 915 360
21	L-Ring 76.0 Dia. Std.....	1				402 1194 420 915 350 402 1192
18-21	Piston Ass'y W/L&R Rings 82.0 Dia. P.T.O. Side		1			420 985 610
22	Rectangular Ring 82.0 Dia. Std.....		1			402 1217 420 915 340
21	L-Ring 82.0 Dia. Std.....		1			402 1214 420 915 330
19-20	Piston Ass'y W/2 Rings 76.0 Dia. Std. Mag. Side	1				402 1212 420 992 165
20	Rectangular Ring 76.0 Dia. Std.....	1				402 1344 420 915 390
20	Rectangular Ring 76.0 Dia. Std.....	1				402 1232 420 915 250 402 1132
19-21	Piston Ass'y W/L&R Rings 76.0 Dia. Std. Mag. Side	1				420 985 635
22	Rectangular Ring 76.0 Dia. Std.....	1				402 1204 420 915 360
21	L-Ring 76.0 Dia. Std.....	1				402 1194 420 915 350 402 1192
19-21	Piston Ass'y W/L&R Rings 82.0 Dia. Std. Mag. Side		1			420 985 615
22	Rectangular Ring 82.0 Dia. Std.....		1			402 1219 420 915 340
21	L-Ring 82.0 Dia. Std.....		1			402 1214 420 915 330 402 1212
18-20	Piston Ass'y W/2 Rings 76.5 Dia. 1st Over	1				420 992 161
20	Rectangular Ring 76.5 Dia. 1st Over	2				402 1343 420 915 391 402 1233
18-21	Piston Ass'y W/L&R Rings 76.5 Dia. 1st Over P.T.O. Side.....	1				420 985 631
22	Rectangular Ring 76.5 Dia. 1st Over	1				402 1203 420 915 361
21	L-Ring 76.5 Dia. 1st Over.....	1				402 1195 420 915 351 402 1193
18-21	Piston Ass'y W/L&R Rings 82.5 Dia. 1st Over P.T.O. Side.....		1			420 985 611
22	Rectangular Ring 82.5 Dia. 1st Over		1			402 1218 420 915 341
21	L-Ring 82.5 Dia. 1st Over.....		1			402 1215 420 915 331
19-20	Piston Ass'y W/2 Rings 76.5 Dia. 1st Over Mag. Side	1				402 1213 420 992 161
20	Rectangular Ring 76.5 Dia. 1st Over	2				402 1344 420 915 391 402 1233
19-21	Piston Ass'y W/L&R Rings 76.5 Dia. 1st Over Mag. Side	1				420 985 636
22	Rectangular Ring 76.5 Dia. 1st Over	1				402 1205 420 915 361
21	L-Ring 76.5 Dia. 1st Over.....	1				402 1195 420 915 351 402 1193
19-21	Piston Ass'y W/L&R Rings 82.5 Dia. 1st Over Mag. Side		1			420 985 616
22	Rectangular Ring 82.5 Dia. 1st Over		1			420 1220 420 915 341
21	L-Ring 82.5 Dia 1st Over		1			402 1215 420 915 331
22	Ball Bearing.....		1			402 1213 420 832 020 402 1110



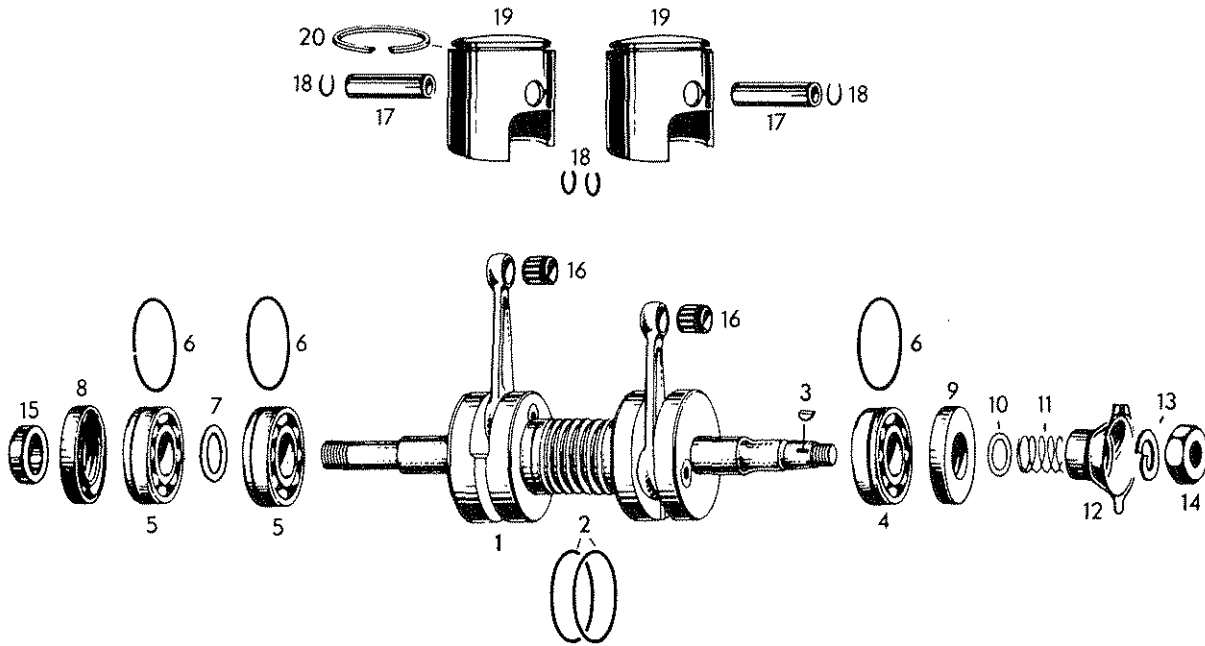
ITEM NO.	DESCRIPTION	QUANTITY		PART NO.	
		641	775		1972
1	Gasket, Cylinder Flange.....	2			420 830 425 402 2137
1	Gasket, Cylinder Flange.....		2		420 830 550 402 2225
2	Cylinder, P.T.O. Side	1			420 813 145 402 2202
2	Cylinder, P.T.O. Side		1		420 813 225 402 2221
3	Cylinder, Mag. Side.....	1			420 813 155 402 2203
3	Cylinder, Mag. Side.....		1		420 813 235 402 2222
4	Gasket, Cylinder Head.....	2			420 930 105 402 2101
4	Gasket, Cylinder Head.....		2		420 830 560 402 2226
5	Cylinder Head, Std. P.T.O. Side	1			420 813 060 402 2129
5	Cylinder Head, High Altitude P.T.O. Side	1			420 813 062 402 2314
5	Cylinder Head, Std. P.T.O. Side		1		420 813 240 402 2223
5	Cylinder Head, High Altitude P.T.O. Side		1		420 813 242 402 2316
6	Cylinder Head, Std. Mag. Side.....	1			420 813 065 402 2130
6	Cylinder Head, High Altitude Mag. Side.....	1			420 813 067 402 2315
6	Cylinder Head, Std. Mag. Side.....		1		420 813 245 402 2224
6	Cylinder Head, High Altitude Mag. Side.....		1		420 813 247 402 2317
7	Washer 8.4.....	8	8		420 250 311 402 0031

CYLINDERS, INTAKE MANIFOLD, MUFFLER

1974

ITEM NO.	DESCRIPTION	QUANTITY		PART NO.		
		641	775			1972
8	Hex. Nut M8	4	4			420 242 206
9	Distance Nut M8/5/16	4	4			402 0116 420 842 110
23	Intake Gasket (775 Eng. No. Up To 2 330 741).....		2			402 2145 420 830 437
23	Intake Gasket (775 Eng. No. From 2 330 742).....	2	2			402 2207 420 830 438
24	Stud M8 x 25	2	2			402 2404 420 240 290
25	Double Intake Manifold (775 Eng. No. Up To 2 330 741).....		1			402 2002 420 867 120
25	Double Intake Manifold (775 Eng. No. Up To 2 330 742).....	1	1			402 2228 420 867 122
26	Stud M8 x 19.5	4	4			402 2444 420 940 170
27	Isolating & Sealing Washer.....	4	4			402 2037 420 250 100
28	Joint.....	4	4			402 0064 420 940 555
29	Clamp, Plastic Tube.....	4	4			402 0065 420 951 591
30	Plastic Line Mult. 12".....	AR	AR			402 0063 414 0130
31	Carburator Flange Gasket.....	2	2			404 0212
32	Washer 8.4.....	2	2			420 250 311 402 0031
33	Hex. Nut M8	2	2			420 942 030 402 2106
34	Air Baffle.....	1	1			420 975 630 402 0202
35	Isolating Washer	4	4			420 830 150 402 2072
36	Hex. Nut M8	4	4			420 242 201 402 0018
37	Cyl. Screw M6 x 8	2				420 241 691 402 0215
38	Stud M8 x 19.....	4	4			420 940 065 402 2038
39	Gasket Exhaust Flange.....	2	2			420 830 270 402 2100
40	Exhaust Socket W/Flange P.T.O. Side.....	1	1			420 979 665 402 2113
41	Exhaust Socket W/Flange Mag. Side.....	1	1			420 979 660 402 2109
42	Lock Washer 8	4	4			420 945 752 402 0016
43	Hex. Nut M8	4	4			420 242 201 402 0018
44	Muffler Ass'y.....	1	1			420 873 370 402 2366
45	Inlet Elbow.....	1	1			420 873 090 402 2195
46	Clamp.....	3	3			414 1076
	Washer.....	6	6			392 0022
	Nut.....	6	6			380 9022
47	Adjustment Bolt.....	1	1			420 929 680 402 0174
48	Support Spring.....	2	2			420 239 230 402 0138
49	Adjustment Bolt. Gas Cable.....	1	1			420 241 252 402 0147
50	Hex. Nut M6	1	1			420 242 211 402 2053

CRANKSHAFT, BEARINGS, PISTONS
436 in 74 Only—398 Only in 72



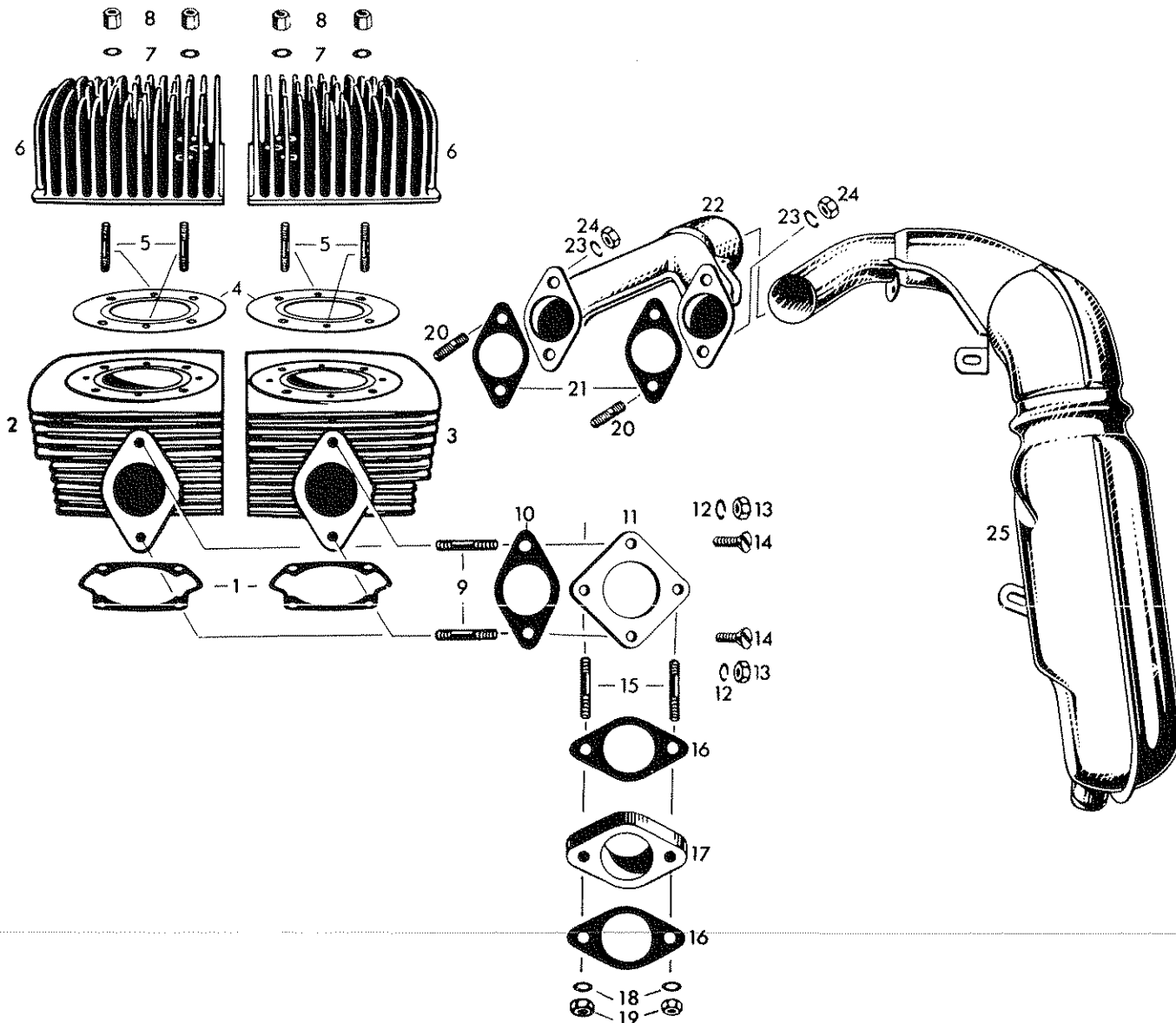
ITEM NO.	DESCRIPTION	QUANTITY				PART NO.		
		346	396	398	436	1974	1973	1972
1-2	Crankshaft Ass'y	1	1		1	420 992 528 402 1398	420 992 527 402 1377	420 992 520 402 1359
2	"O" Ring For Ball Bearing W/Groove Depth Of 1.5 To 1.6M (.059 To .063).....	2	2	2	2	420 830 350 402 1137	420 830350 402 1137	420 830 350 402 1137
2	"O" Ring For Ball Bearing W/Groove Depth of 1.2 To 1.3 MM (.046 To .050).....	2	2		2	420 830 355		
3	Woodruff Key 3 x 3.7	1	1	1	1	420 246 050 402 1304	420 246 050 402 1304	420 046 050 402 1304
4	Ball Bearing.....	1	1	1	1	420 832 207 402 1395	420 932 585 402 1357	420 932 585 402 1357
5	Ball Bearing.....	2	2	2	2	420 832 207 402 1395 402 1142	420 932 585 402 1357 402 1357	420 932 824
6	"O" Ring For Ball Bearing W/Groove Depth of 1.5 to 1.6MM (.059 To .063).....	3	3	3	3	420 830 350 402 1137	420 830 350 402 1137	420 830 350 402 1137
6	"O" Ring For Ball Bearing W/Groove Depth Of 1.2 To 1.3MM (.046 To .050).....	3	3		3	420 830 355		
7	Shim 1.0MM.....	2	2	1	2	420 944 580 402 1112	420 944 580 402 1112	420 944 473 402 1026
8	Oil Seal.....	1	1	1	1	420 830 742 402 1372	420 830 742 402 1372	420 830 400 402 1138
9	Oil Seal.....	1	1	1	1	420 830 742 402 1372	420 830 742 402 1372	420 830 740 402 2391
10	Washer, Cam Spring.....				1			420 944 473 402 1026
11	Spring Breaker Cam.....				1			420 938 071 402 1036
12	Breaker Cam.....				1			420 985 180 402 1156
13	Lock Washer 22 (18 in 72).....	1	1	1	1	420 945 759 402 1376	420 945 759 402 1376	420 945 757 402 1095
14	Hex. Nut M22 x 1.5 (M18 x 1.5 in 72).....	1	1	1	1	420 842 230 402 1373	420 842 230 402 1373	420 942 220 402 1043
15	Distance Sleeve				1			420 947 920 402 2339
16	Needle Cage.....	2	2	2	2	420 932 901 402 1033	420 932 901 402 1033	420 932 901 402 1033
17	Gudgeon Pin.....	2				420 916 260 402 1310	420 816 260 402 1310	
17	Gudgeon Pin.....		2	2		420 916 220 402 1280	420 916 220 402 1280	420 916 220 402 1280
17	Gudgeon Pin.....				2	420 916 185 102 1080		
18	Circlip, Gudgeon Pin.....	4	4	4	4	420 945 735 402 1067	420 945 735 402 1067	420 945 735 402 1067

CRANKSHAFT, BEARINGS, PISTONS
436 in 74 Only—398 Only in 72

1974

ITEM NO.	DESCRIPTION	QUANTITY				PART NO.		
		346	396	398	436	1974	1973	1972
19-20	Piston Ass'y W/Ring 59.50 Dia. Std.	2				420 983 090 402 1379	420 930 090 402 1379	
20	L-Trapez Ring 59.5 Dia. Std.	2				420 915 630 402 1374	420 915 630 402 1374	
19-20	Piston Ass'y W/Ring 64.5 Dia. Std.		2	2		420 992 140 402 2458	420 992 140 402 2458	420 992 140 402 2458
20	L. Trapez Ring 64.5 Dia. Std.		2	2		420 915 560 402 2512	420 915 560 402 2512	420 915 560 402 2512
19-20	Piston Ass'y W/Ring 67.5 Dia. Std.				2	420 992 127 402 2459		
20	L. Trapez Ring 67.5 Dia. Std.				2	420 915 542 402 2523		
19-20	Piston Ass'y W/Ring 59.75 Dia. 1st Oversize.....	2				420 993 091 402 1380	420 993 091 402 1380	
20	L. Trapez Ring 59.75 Dia. 1st Oversize	2				420 915 631 402 1375	420 915 631 402 1375	
19-20	Piston Ass'y W/Ring 64.75 Dia. 1st Oversize.....		2	2		420 992 141 402 2449	420 992 141 402 2449	420 992 141 402 2449
20	L. Trapez Ring 64.75 Dia. 1st Oversize		2	2		420 915 561 402 2513	420 915 561 402 2513	420 915 561 402 2513
19-20	Piston Ass'y W/Ring 67.75 Dia. 1st Oversize.....				2	420 992 128 402 2450		
20	L. Trapez Ring 67.75 Dia. 1st Oversize				2	420 915 543 402 2518		

CYLINDERS, CYLINDER HEAD, MUFFLER
436 in 74 Only—398 Only in 72



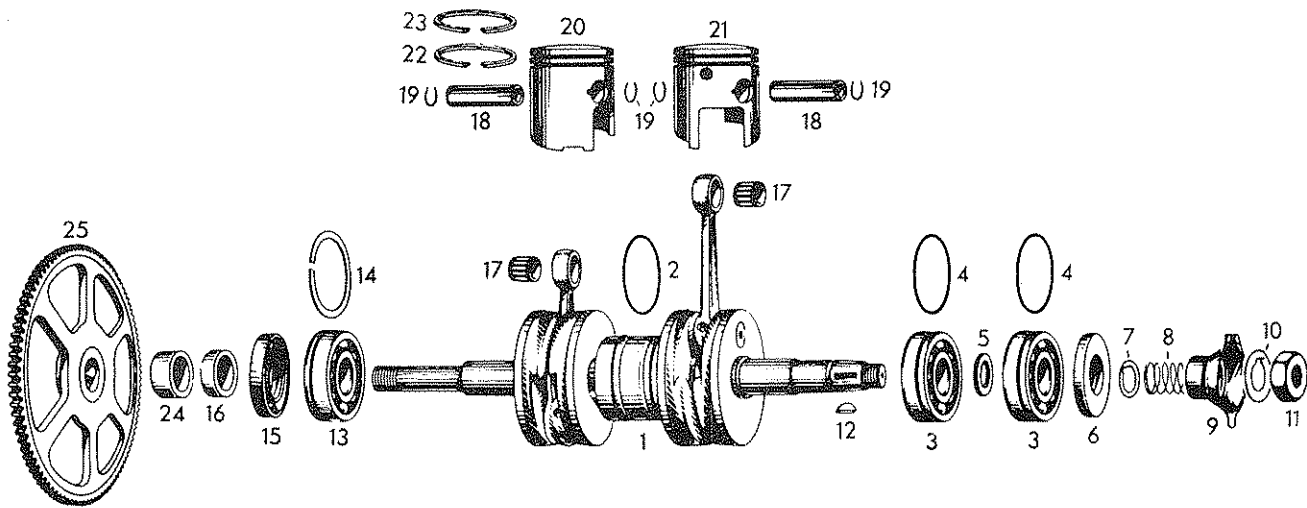
ITEM NO.	DESCRIPTION	QUANTITY				PART NO.		
		346	396	398	436	1974	1973	1972
1	Gasket, Cylinder Head.....	2	2	2	2	420 830 617	420 830 617	420 830 617
2	Cylinder W/Sleeve, P.T.O. Side.....	1				402 2508	402 2508	402 2508
2	Cylinder W/Sleeve, P.T.O. Side.....		1			420 823 065	420 823 065	
2	Cylinder W/Sleeve, P.T.O. Side.....			1		402 2607	402 2607	
2	Cylinder W/Sleeve, P.T.O. Side.....					420 813 839	420 813 839	420 813 835
2	Cylinder W/Sleeve, P.T.O. Side.....					402 2603	402 2603	402 2505
2	N Cylinder, W/Sleeve, P.T.O. Size.....				1	420 823 245		
3	Cylinder W/Sleeve, Mag. Side.....	1				420 823 075	420 873 075	
3	Cylinder W/Sleeve, Mag. Side.....		1			402 2608	402 2608	
3	Cylinder W/Sleeve, Mag. Side.....			1		420 813 849	420 813 849	420 813 845
3	Cylinder W/Sleeve, Mag. Side.....					402 2604	402 2604	402 2506
3	N Cylinder W/Sleeve, Mag. Side.....				1	420 823 255		
4	Gasket, Cylinder Head.....	2				420 831 340	420 831 340	
4	Gasket, Cylinder Head.....		2			402 2609	402 2609	
4	Gasket, Cylinder Head.....			2		420 831 345	420 831 345	
4	Gasket, Cylinder Head.....					402 2610	402 2610	420 830 625
								402 2509

CYLINDERS, CYLINDER HEAD, MUFFLER
436 in 74 Only—398 Only in 72

1974

ITEM NO.	DESCRIPTION	QUANTITY				PART NO.		
		346	396	398	436	1974	1973	1972
4	N Gasket, Cylinder Head				2	420 830 627		
5	Stud M8 x 40	4	4		8	420 840 530	420 840 530	
5	Stud M6 x 37			8		402 2240	402 2240	420 840 790
6	Cylinder Head	2				420 813 855	420 813 855	402 7116
6	Cylinder Head		2			402 2606	402 2606	
6	Cylinder Head			2	2	420 813 852	420 813 852	
6	Cylinder Head					402 2605	402 2605	
6	Cylinder Head				2	420 813 552		420 813 850
7	Washer 8.4	12	12	8	16	402 2467		402 2491
7	Washer 6.4			8		420 250 311	420 250 311	420 250 311
8	Hex. Nut M8	12	12	8	16	402 0031	402 0031	402 0031
8	Hex. Nut M6			8				402 244 211
9	Stud M8 x 13.5	4				420 892 130	420 842 130	420 842 130
9	Stud M8 x 19.5		4			402 2242	402 2242	402 2242
10	Gasket, Cross In-Take Flange	2						420 842 180
10	Gasket, Cross In-Take Flange		2			420 841 060		402 2337
11	Cross In-Take Flange	2				402 2643		
11	Cross In-Take Flange		2			420 940 170	420 940 170	
12	Locking Washer 8 (in 73 on 396 Only)	4	4			402 2037	402 2037	
13	Hex. Nut M8 (in 73 on 396 Only)	4	4			420 831 401	420 831 400	
14	Countersunk Screw M8 x 20	4				402 2640	402 2614	
15	Stud M8 x 25	4				420 830 820	420 830 820	
15	Stud M8 x 32		4			402 2348	402 2348	
15	Stud M8 x 30 (M8 x 41 on 398)				4	420 867 251	420 867 250	
16	Flange Gasket	2		2		402 2644	402 2616	
16	Flange Gasket		2			420 867 260	420 867 260	
16A	Flange Gasket	2		2		402 2617	402 2617	
16A	Flange Gasket	2		2		420 845 085	420 945 752	
17	Isolating Flange	2				402 1311	402 0016	
17	Isolating Flange		2			420 942 670	420 242 201	
18	Lock Plate	4				402 0134	402 0018	
18	Lock Plate	4					420 941 830	
18	Isolating Washer	4					402 2619	
19	Hex. Nut M8	4	4	4	4	420 840 560	420 890 560	
20	Stud M8 x 19	4	4	4	4	402 2615	402 2615	
21	Gasket, Exhaust Manifold	2	2	2	2	420 941 770	420 941 770	
22	N Exhaust Manifold	1	1	1	1	402 2618	402 2618	420 940 850
23	Lock Washer 8	4	4	4	4	420 240 600		402 2159
24	Hex. Nut M8	4	4	4	4	402 2022		
25	N Inlet Elbow	1	1			420 831 401	404 0039	404 0039
26	N Tuned Muffler	1	1			404 0212	404 0212	
26	Tuned Muffler			1		404 0039	404 0039	404 0039
26	N Tuned Muffler				1	404 0212	404 0212	
26	N Tuned Muffler				1	420 831 440	420 830 013	
17	Isolating Flange		2		2	402 2641	402 2131	
17	Isolating Flange			2		420 830 785	420 830 785	420 830 490
18	Lock Plate	4			4	402 2474	402 2474	402 2171
18	Lock Plate	4	4		4	513 0148	513 0148	
18	Isolating Washer	4	4	4	4	513 0147	513 0147	
19	Hex. Nut M8	4	4	4	4	420 830 150	420 830 150	420 830 150
20	Stud M8 x 19	4	4	4	4	402 2072	402 2072	402 2072
21	Gasket, Exhaust Manifold	2	2	2	2	420 242 201	420 242 201	420 242 201
22	N Exhaust Manifold	1	1	1	1	402 0018	402 0018	402 0018
23	Lock Washer 8	4	4	4	4	420 940 065	420 940 065	420 940 065
24	Hex. Nut M8	4	4	4	4	402 2038	402 2038	402 2038
25	N Inlet Elbow	1	1			420 830 980	420 830 980	420 830 980
26	N Tuned Muffler	1	1			402 2510	402 2510	402 2510
26	Tuned Muffler			1		420 873 417	420 873 415	420 873 410
26	N Tuned Muffler				1	402 2568	402 2446	402 2446
26	N Tuned Muffler				1	420 945 752	420 945 752	420 945 752
26	N Tuned Muffler				1	402 0016	402 0016	402 0016
26	N Tuned Muffler				1	420 242 201	420 242 201	420 242 201
26	N Tuned Muffler				1	402 0018	402 0018	402 0018
26	N Tuned Muffler				1	420 878 040		
26	N Tuned Muffler				1	420 873 897	420 873 895	
26	N Tuned Muffler				1		402 2569	
26	N Tuned Muffler				1			420 873 400
26	N Tuned Muffler				1			402 2440

CRANKSHAFT, PISTONS, STARTER GEAR (440)



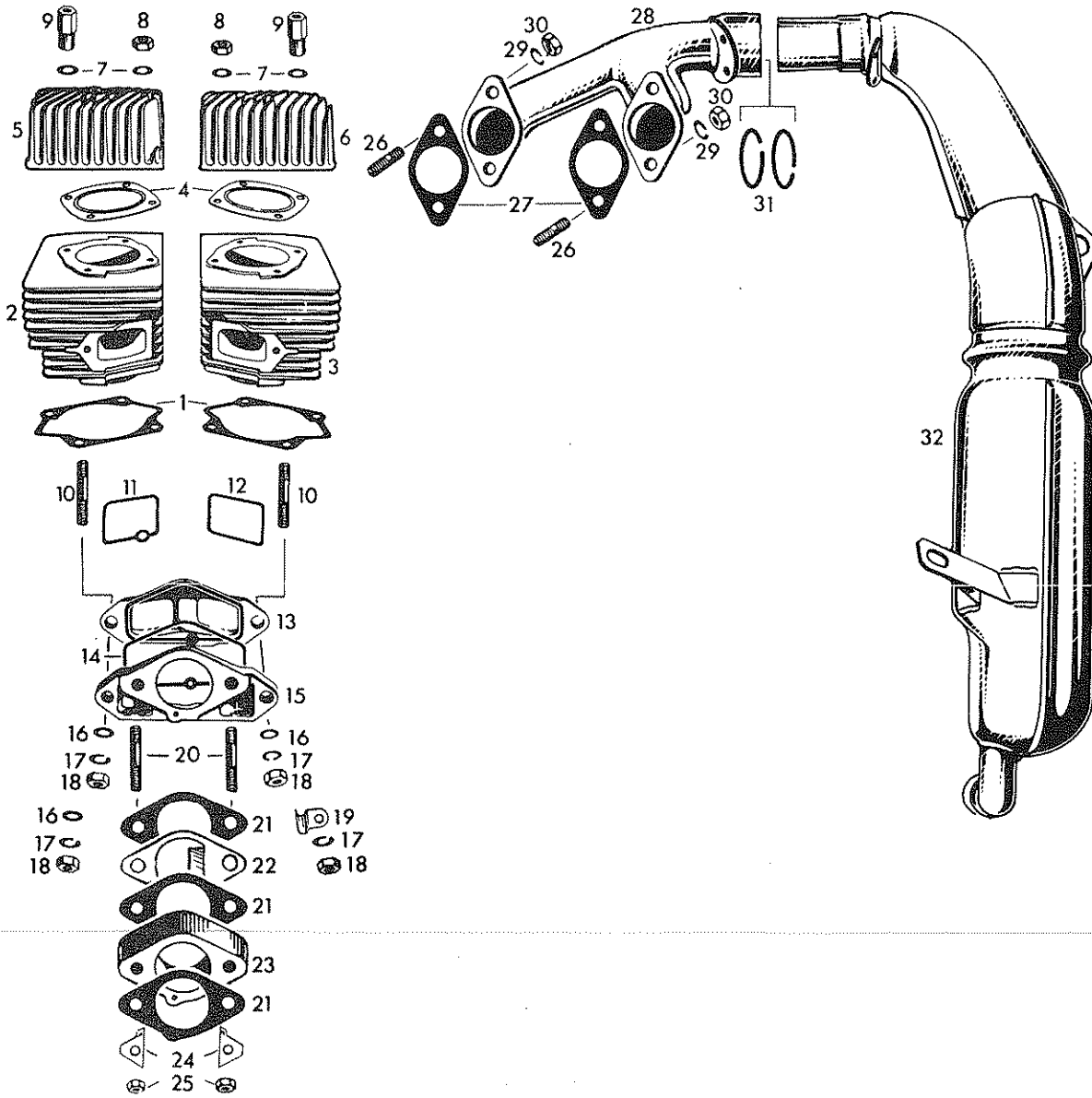
ITEM NO.	DESCRIPTION	QTY	PART NO.	
				1974
1-2	N Crankshaft Ass'y.....	1		420 992 058
2	"O" Ring	2		420 830 350 402 1137
2	N "O" Ring	1		420 830 355
3	Ball Bearing W/O-Ring	2		420 832 207 402 1395
4	N "O" Ring	2		420 830 355
5	N Distance Ring 4 mm.....	1		420 847 170
6	Oil Seal	1		420 830 742 402 1372
7	N Washer, Cam Spring.....	1		420 927 192
8	N Spring, Breaker Cam	1		420 938 770
9	N Breaker Cam.....	1		420 993 470
10	N Lock Washer.....	1		420 845 120
11	Hex. Nut M22 x 1.5.....	1		420 842 230 402 1373
12	Woodruff Key 3 x 3.7.....	1		420 246 050 402 1304
13-14	Ball Bearing	1		420 832 090 402 1292
14	Groove Ring.....	1		420 845 070 402 1293
15	Oil Seal	1		420 830 402 402 1317
16	Distance Sleeve 16 mm	1		420 947 910 402 1294
17	Needle Cage.....	2		420 932 901 402 1033
18	Gudgeon Pin.....	2		420 916 185 402 1080
19	Circlip, Gudgeon Pin.....	4		420 945 735 402 1067

CRANKSHAFT, PISTONS, STARTER GEAR (440)

1974

ITEM NO.	DESCRIPTION	QTY	PART NO.	
				1974
20-22-23	N Piston Ass'y W/2 Rings 67.5 Dia. P.T.O. Side	1		420 993 292
22	N Rectangular Ring 67.5 Dia. Std.....	1		420 915 675
23	L-Trapez Ring 67.5 Dia. Std.....	1		420 915 542 402 2523
21-22-23	N Piston Ass'y W/2 Rings 67.5 Dia. Mag. Side.....	1		420 993 297
22	N Rectangular Ring 67.5 Dia. Std.....			420 915 675
23	L-Trapez Ring 67.5 Dia. Std.....	1		420 915 542 402 2523
24	Distance Sleeve 21 mm (Manuel Eng.).....	1		420 947 810 402 1120
25	Starter Gear 77 T.....	1		420 935 670 402 5049

CYLINDER, INTAKE MANIFOLD, MUFFLER (440)

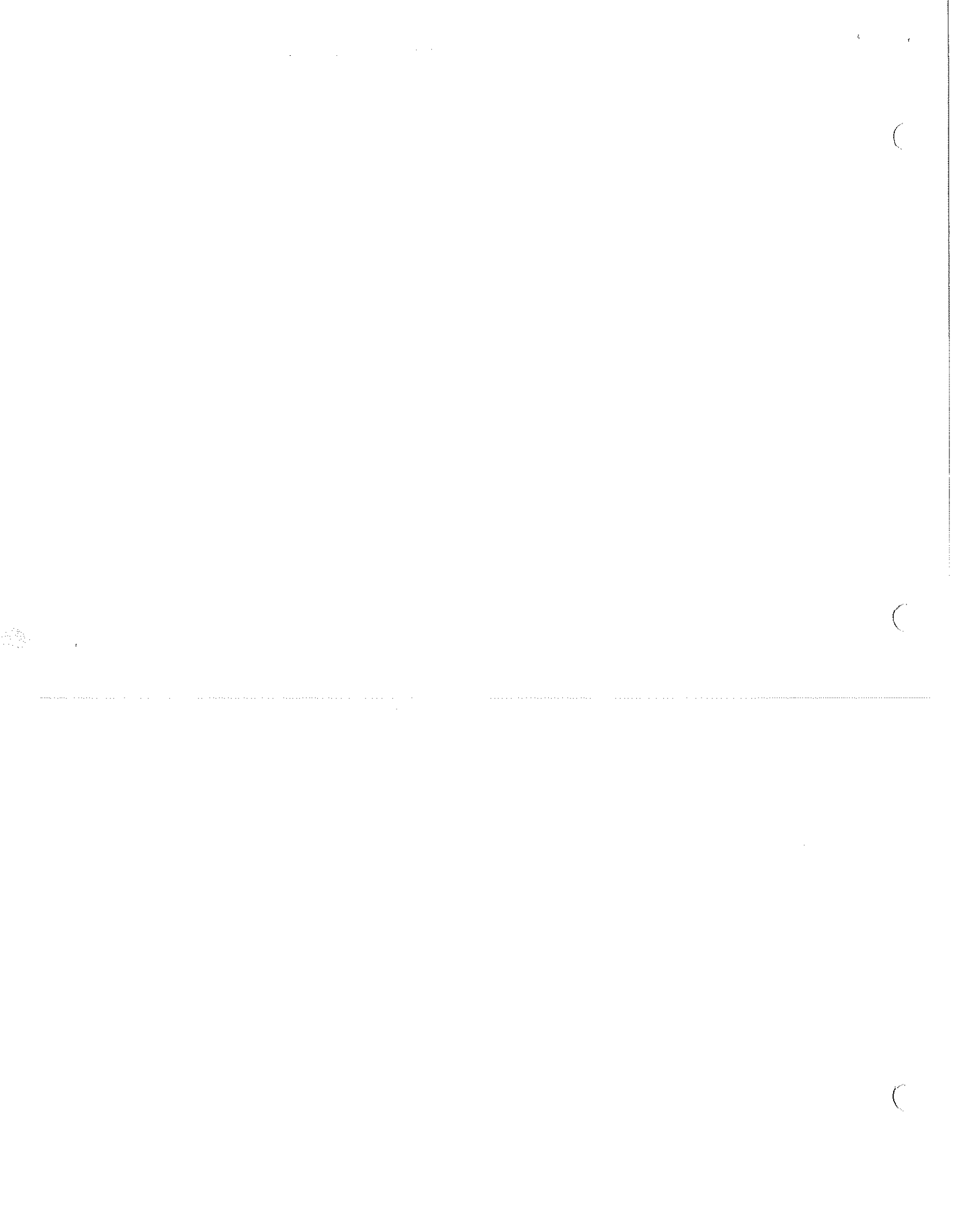


ITEM NO.	DESCRIPTION	QTY	PART NO.	
				1974
1	Gasket, Cylinder Flange	2		420 830 750 402 2352
2	N Cylinder, P.T.O. Side	1		420 823 226
3	N Cylinder, Mag. Side.....	1		420 823 236
4	Gasket, Cylinder Head.....	2		420 830 760 402 2326
5	Cylinder Head, P.T.O. Side.....	1		420 813 413 402 2571
6	Cylinder Head, Mag. Side	1		420 813 419 402 2426
7	Washer 8.4	8		420 250 311 402 0031
8	Hex. Nut M8.....	6		420 242 200 402 0018

CYLINDER, INTAKE MANIFOLD, MUFFLER (440)

1974

ITEM NO.	DESCRIPTION	QTY	PART NO.	
				1974
9	Distance Nut M8-5/16.....	2		420 842 110
				402 2145
10	Stud M8 x 64.....	2		420 840 905
				402 2545
11	Profile Gasket, P.T.O. Side.....	1		420 830 970
				402 2436
12	Profile Gasket, Mag. Side.....	1		420 830 975
				402 2437
13	Intake Manifold.....	1		420 867 065
				402 4364
14	Ring Gasket.....	1		420 830 440
				402 2140
15	Intake Cover.....	1		420 867 070
				402 2151
16	Washer 8.4.....	3		420 250 311
				402 0031
17	Lock Washer 8.....	4		420 945 752
				402 0016
18	Hex. Nut M8.....	4		420 242 201
				402 0018
19	Ignition Cable Bracket.....	1		420 853 200
				402 4288
20	Stud M8 x 41.....	2		420 940 850
				402 2159
21	Tillotson Carburetor Flange Gasket.....	3		404 0039
22	Intake Shield.....	1		420 867 240
				402 2596
23	Isolating Flange.....	1		420 830 495
				402 2425
24	Lock Plate.....	2		513 0147
25	Hex. Nut M8.....	2		420 242 201
				402 0018
26	Stud M8 x 19.....	4		420 940 065
				402 2038
27	Gasket Exhaust Manifold.....	2		420 830 980
				402 2510
28	N Exhaust Manifold.....	1		420 873 885
29	Lock Washer 8.....	4		420 945 752
				402 0016
30	Hex. Nut M8.....	4		420 242 200
				402 0018
31	N Sealing Ring.....	2		420 831 425
32	N Tuned Muffler Ass'y.....	1		420 873 898



SECTION

REWIND STARTER

Rewind Starter Decompressor (1 Cyl.)

1 Cyl.: Rope sheave no. 265 2004, used only with rope no. 402 5018 (1300 mm) and bolt no. 402 5016 in 1971 and partly in 1972

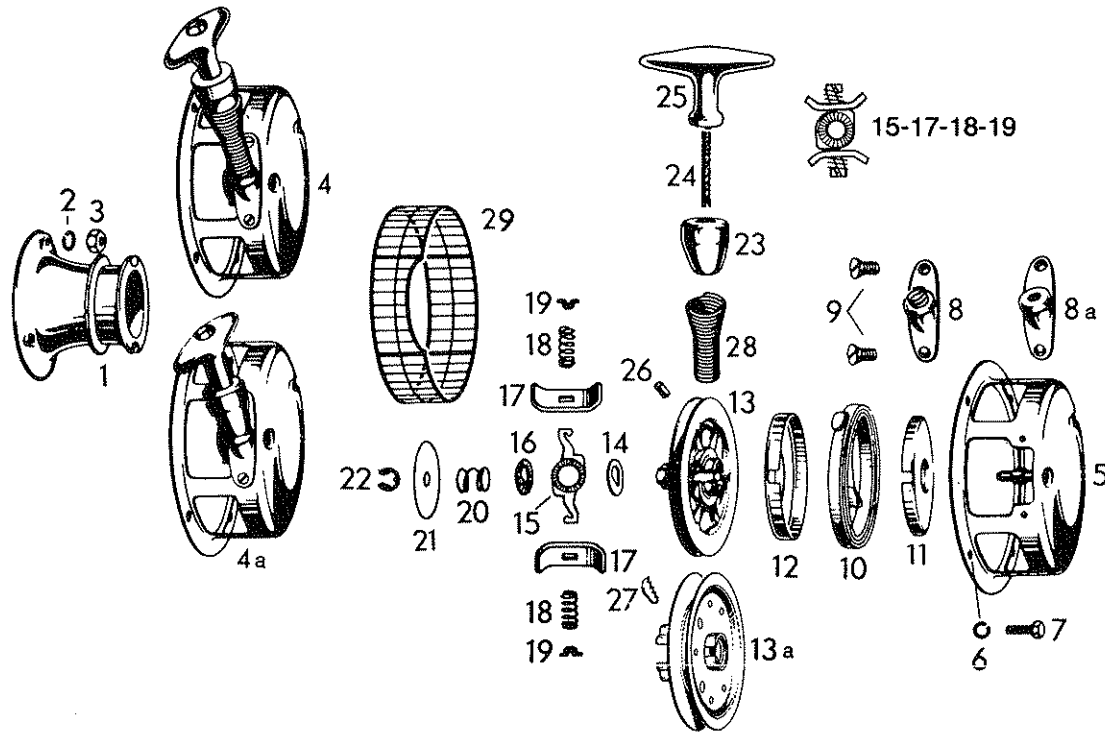
Rope sheave no. 402 5061, used only with rope no. 402 5059 (1700 mm) and key clamp no. 402 5057 in 1973 and partly in 1972.

2 Cyl.: Rope sheave no. 402 5047, used only with rope no. 402 5018 (1300 mm) and bolt no. 402 5016 in 1971 and partly in 1972.

Rope sheave no. 402 5058 and 402 5076, used only with rope no. 402 5059 (1700mm) and key clamp 402 5037 in 1973 and partly in 1972.

Nordic 640 has a new starter grip.

STARTING PULLEY, REWIND STARTER
 292 in 72 Only—337 in 73-72 Only



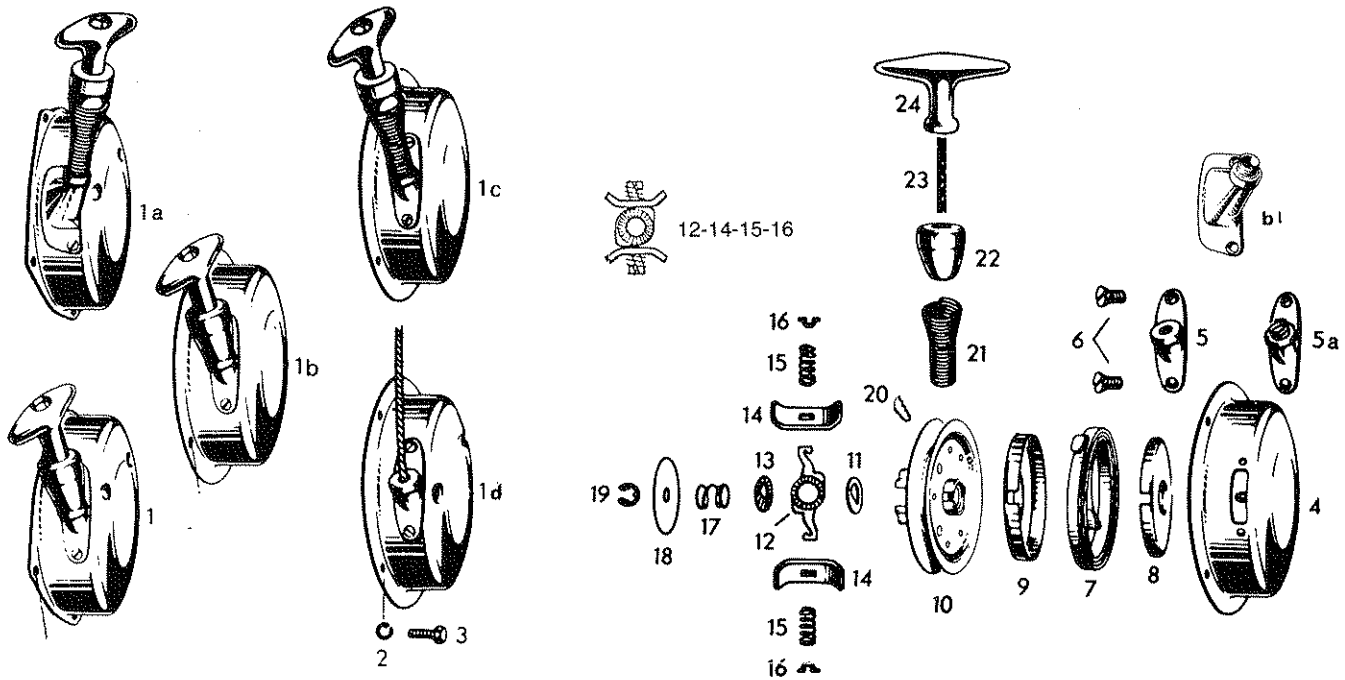
ITEM NO.	DESCRIPTION	QUANTITY				PART NO.		
		247	292	302	337	1974	1973	1972
1	Starting Pulley	1	1	1	1	420 952 892 402 5003	420 952 892 402 5003	420 952 892 402 5003
2	Lock Washer 6	3	3	3	3	420 945 751 402 0015	420 945 751 402 0015	420 945 751 402 0015
3	Hex Nut M6	3	3	3	3	420 242 211 402 2053	420 242 210 402 2053	420 242 210 402 2053
4	Rewind Starter Ass'y	1	1			420 985 935 402 5063	420 985 935 402 5063	420 985 935 402 5063
4A	Rewind Starter Ass'y			1	1	420 992 470 402 5064	420 992 470 402 5064	420 992 470 402 5064
5	Starter Housing	1	1	1	1	420 912 295 402 5066	420 912 295 402 5066	420 912 295 402 5066
6	Lock Washer 6	4	4	4	4	420 945 751 402 0015	420 945 751 402 0015	420 945 751 402 0015
7	Hex Screw M6 x 14	4	4	4	4	420 241 185 402 5012	420 241 185 402 5012	420 241 185 402 5012
8	Starter Stop	1	1			420 911 258 402 5053	420 911 258 402 5053	420 911 258 402 5053
8A	Starter Stop			1	1	420 911 257 402 5036	420 911 257 402 5036	420 911 257 402 5036
9	Countersunk Screw M5 x 8	2	2	2	2	420 940 310 402 5037	420 940 310 402 5037	420 940 310 402 5037
10-11	Spring Cartridge Ass'y	1	1	1	1	420 984 452 402 5023	420 984 452 402 5023	420 984 452 402 5023
10	Rewind Spring	1	1	1	1	420 938 001 402 5043	420 938 005 402 5022	420 938 005 402 5022
11	Spring Guide	1	1	1	1	420 927 692 402 5038	420 927 692 402 5038	420 927 692 402 5038
12	Cover Spring Guide	1	1	1	1	420 927 900 402 5044	420 927 900 402 5044	420 927 900 402 5044
13	Rope Sheave For Starter Rope No. 402 5018 (420 952 795)..... (1300 mm.) And Bolt No. 402 5016 (420 929 350)	1	1	1	1			420 952 072 265 2003
13A	Rope Sheave For Starter Rope No. 402 5059 (420 952 799)..... (1700 mm.) And Key Clamp No. 402 5057 (420 852 070)	1	1	1	1	420 852 055 402 5061	420 852 055 402 5061	420 852 055 402 5061
14	D Washer	1	1	1	1	420 927 305 402 5026	420 927 305 402 5026	420 927 305 402 5026
15-17	N Pawl Ass'y	1	1	1	1	420 881 275	420 881 275	420 881 275
18-19	Pivot Arm	1	1	1	1	420 952 835 402 5028	420 952 835 402 5028	420 952 835 402 5028
16	Friction Washer	1	1	1	1	420 927 650 402 5027	420 927 650 402 5027	420 927 650 402 5027

STARTING PULLEY, REWIND STARTER
292 in 72 Only—337 in 73-72 Only

1974

ITEM NO.	DESCRIPTION	QUANTITY				PART NO.		
		247	292	302	337	1974	1973	1972
17	Pawl.....	2	2	2	2	420 952 846	420 952 846	420 952 846
						402 5029	402 5029	402 5029
18	Pawl Spring.....	2	2	2	2	420 938 010	420 938 010	420 938 010
						402 5030	402 5030	402 5030
19	Pawl Spring Stop.....	2	2	2	2	420 952 820	420 952 820	420 952 820
						402 5031	402 5031	402 5031
20	Friction Spring.....	1	1	1	1	420 938 020	420 938 020	420 938 020
						402 5032	402 5032	402 5032
21	Cover Washer.....	1	1	1	1	420 927 310	420 927 310	420 927 310
						402 5033	402 5033	402 5033
22	Circlip.....	1	1	1	1	420 945 710	420 945 710	420 945 710
						402 5034	402 5034	402 5034
23	Rubber Buffer.....	1	1	1	1	420 960 410	420 960 410	420 960 410
						402 5039	402 5039	402 5039
24-25	Starter Rope 1300 mm. W/Grip For Rope Sheave.....	1	1	1	1			420 997 360
	No. 265 2003 (420 952 072) Only.....							402 5017
24-25	Starter Rope 1900 mm. W/Grip For Rope Sheave.....	1	1	1	1	420 997 363	420 997 363	420 997 363
	No. 402 5061 (420 852 055).....					402 5067	402 5067	402 5067
24	Starter Rope 1300 mm. For Rope Sheave.....	1	1	1	1			420 952 795
	No. 265 2003 (420 952 072) Only.....							402 5018
24	Starter Rope 1700 mm. For Rope Sheave.....	1	1	1	1	420 952 799	420 952 799	420 952 799
	No. 402 5061 (420 852 055).....					402 5059	402 5059	402 5059
24	Starter Rope (Mult. 12").....	AR	AR	AR	AR	412 5001	412 5001	412 5001
25	Starter Grip.....	1	1	1	1	420 952 805	420 952 805	420 952 805
						402 5019	402 5019	402 5019
26	Bolt 5 Dia. x 6mm., For Rope Sheave.....	1	1	1	1			420 929 350
	No. 265 2003 (420 952 072).....							402 5016
27	Key Clamp For Rope Sheave.....	1	1	1	1	420 852 070	420 852 070	420 852 070
	No. 402 5061 (420 852 055).....					402 5057	402 5057	402 5057
28	Spring.....	1	1			420 938 630	420 938 630	420 938 630
						402 5054	402 5054	402 5054
29	Protection Sieve.....	1	1	1	1	420 975 560	420 975 560	420 975 560
						402 5042	402 5042	402 5042

REWIND STARTER (ALL TWIN) All Models Except as Noted



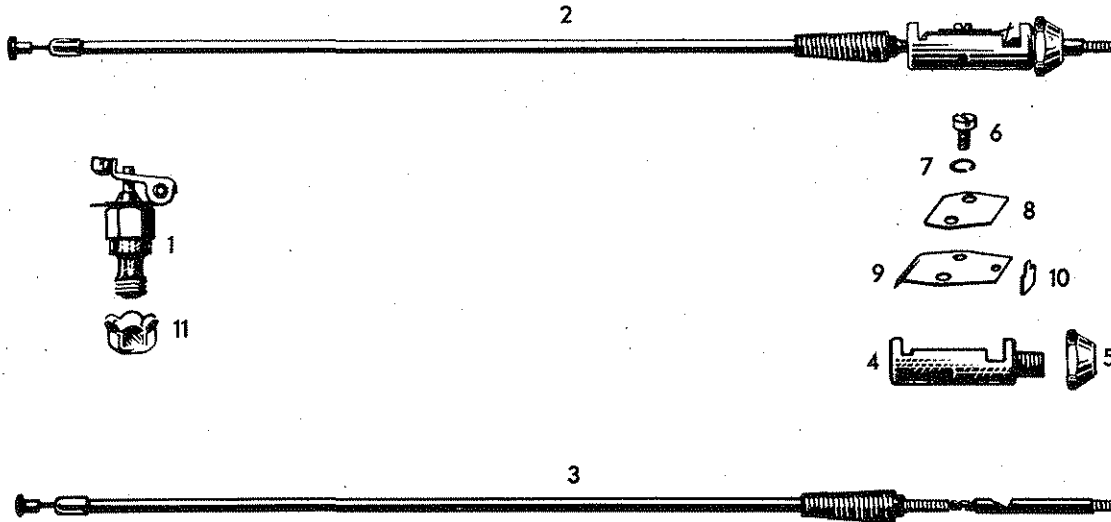
ITEM NO.	DESCRIPTION	QTY.	PART NO.		
			1974	1973	1972
1	Rewind Starter Ass'y in 74-248 only in 73 248-249 641-775 in 72.....	1	420 992 795	420 992 790	420 984 865
1A	Rewind Starter Ass'y 294.....	1	402 5084	402 5083	402 5060
1B	Rewind Starter Ass'y 338.....	1	420 992 795	420 992 795	
1B	Rewind Starter Ass'y 401.....	1	402 5084	402 5084	
1C	N Rewind Starter 343-(435 in 73-72).....	1	420 984 865	420 984 865	420 984 865
			402 5060	402 5060	402 5060
10	Rewind Starter 434.....	1	420 984 865	420 984 865	420 984 865
10	N Rewind Starter 640.....	1	402 5079	402 5079	402 5060
			420 993 373	420 984 867	420 984 865
2	Lock Washer 6.....	4	402 5079	402 5079	402 5060
3	Cyl. Screw M6 x 14 in 74-248-294 in 73 248-249.....	4	420 945 751	420 945 751	420 945 751
3	Cyl. Screw M6 x 15.....	4	402 0015	402 0015	402 0015
4	Starter Housing in 74 248-294 in 73 248-249.....	1	420 840 390	420 840 390	
4	N Starter Housing 641-775 in 72.....	1	402 2208	402 2208	
4	N Starter Housing for 640.....	1	420 241 185	420 241 185	420 241 185
5	N Starter Stop in 74 for 248 in 73 248-249.....	1	402 5012	402 5012	402 5012
5	Starter Stop 641-775 in 72.....	1	420 912 375	420 912 375	
5	Starter Stop for 435-434.....	1	402 5081	402 5081	
5	N Starter Stop for 294.....	1	420 912 445	420 911 756	420 911 756
6	Contersunk Screw M5 x 8.....	2	402 5069	402 5069	402 5069
7-8-9	Spring Cartridge Ass'y.....	1	420 912 445	420 911 756	420 911 756
7-8-9	N Spring Cartridge Ass'y for 343.....	1	402 5069	402 5069	402 5069
7	N Rewind Spring for 343 in 73-72 for 640-248-294.....	1	420 912 397	420 911 257	420 911 257
7	Rewind Spring.....	1	402 5036	402 5036	402 5036
			420 911 257	420 911 257	420 911 257
			402 5036	402 5036	402 5036
			420 911 258	420 911 258	420 911 257
			402 5053	402 5053	402 5036
			420 912 397	420 912 395	
			402 5082		
			420 940 310	420 940 310	420 940 310
			402 5037	402 5037	402 5037
			420 984 450	420 984 450	420 984 450
			402 5023	402 5023	402 5023
			420 984 452	420 984 450	
			402 5023		
			420 938 001	420 938 005	420 938 005
			402 5022	402 5022	402 5022
			420 938 005	420 938 005	420 938 005
			402 5022	402 5022	402 5022

**REWIND STARTER (ALLTWIN)
All Models Except Asnoted**

1974

ITEM NO.	DESCRIPTION	QTY.	PART NO.		
			1974	1973	1972
8	Spring Guide.....	1	420 927 692 402 5038	420 927 692 402 5038	420 927 692 402 5038
9	Cover Spring Guide.....	1	420 927 900 402 5044	420 927 900 402 5044	420 927 900 402 5044
10	Rope Sheave For Starter Rope No. 402 5018 (1300MM.) and Bolt No. 402 5016.....	1			420 952 210 402 5047
10	Rope Sheave For Starter Rope No. 402 5059 (1700MM.) and Key Clamp No. 402 5057.....	1	420 852 068 402 5076	420 852 068 402 5076	420 852 065 402 5058
10	Rope Sheave For Starter Rope No. 402 5059 (1700MM.) and Key Clamp No. 402 5057.....	1	420 852 068 402 5076	420 852 0 5 402 5058	420 852 065 402 5058
11	D-Washer.....	1	420 927 305 402 5026	420 927 305 402 5026	420 927 305 402 5026
12	Pivot Arm.....	1	420 952 835 402 5028	420 952 835 402 5028	420 952 835 402 5028
13	Friction Washer.....	1	420 927 650 402 5027	420 927 650 402 5027	420 927 650 402 5027
14	Pawl.....	2	420 952 846 402 5029	420 952 846 402 5029	420 952 846 402 5029
15	Pawl Spring.....	2	420 938 010 402 5030	420 938 010 402 5030	420 938 010 402 5030
16	Pawl Spring Stop.....	2	420 952 820 402 5031	420 952 820 402 5031	420 952 820 402 5031
12-14-15-16	N Pawl Ass'y.....	1	420 881 275	420 881 275	420 881 275
17	Friction Spring.....	1	420 938 020 402 5032	420 938 020 402 5032	420 938 020 402 5032
18	Cover Washer.....	1	420 927 310 402 5033	420 927 310 402 5033	420 927 310 402 5033
18	Cover Washer For 343.....	1	420 938 010 402 5033	420 927 310 402 5033	420 927 310 402 5033
19	Circlip.....	1	420 945 710 402 5034	420 945 710 402 5034	420 945 710 402 5034
20	Bolt 5 x 6 For Rope Sheave no. 402 5047.....	1			420 929 350 402 5016
20	Key Clamp.....	1	420 852 070 402 5057	420 852 070 402 5057	420 852 070 402 5057
21	Spring.....	1		420 938 630 402 5054	
22	Rubber Buffer All Models Except 343 And Nordic.....	1	420 960 410 402 5039	420 960 410 402 5039	420 960 410 402 5039
22	Rubber Buffer for 343.....	1	570 0319 570 0319	420 960 410 402 5039	420 960 410 402 5039
22	Rubber Buffer (Nord) 640.....	1	420 960 410 402 5039	520 1221 520 1221	420 960 410 402 5039
23	Starter Rope (1300MM.) For Rope Sheave No. 402-5047.....	1			420 952 795 402 5018
23	Starter Rope (1700MM.) For Rope Sheave No. 402 5058 & 402-5076.....	1	420 952 799 402 5059	420 952 799 402 5059	420 952 799 402 5059
23	Starter Rope (2110MM.) For 343 in 74.....	1	420 852 091 402 5075	420 952 799 402 5059	420 952 799 402 5059
24	Starter Grip All Except Nordic and 343.....	1	420 952 805 402 5019	420 952 805 402 5019	420 952 805 402 5019
24	Starter Grip Nor.....	1	420 952 805 402 5019	414 1539 414 1539	420 952 805 402 5019
24	Starter Grip 343.....		572 1208 572 1208	420 952 805 402 5019	420 952 805 402 5019

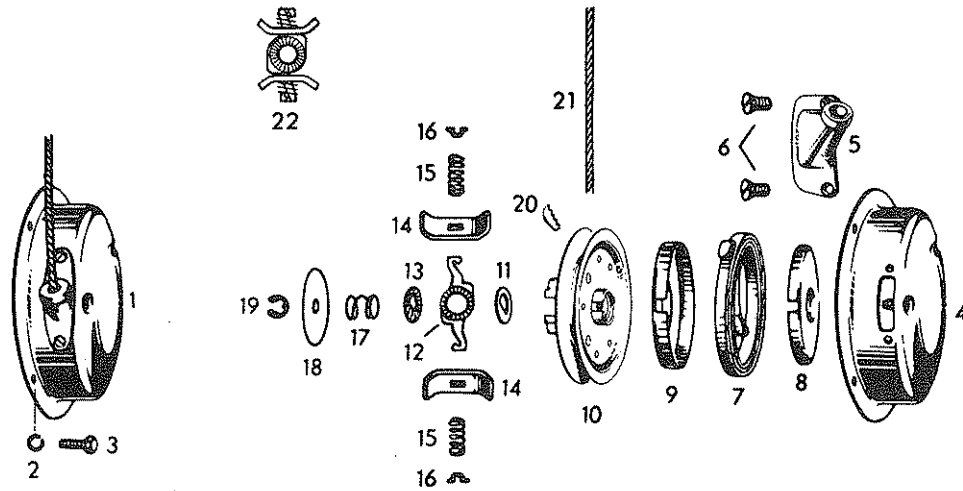
DECOMPRESSOR
337 in 73-72 Only



ITEM NO.	DESCRIPTION	QUANTITY			PART NO.		
		247	302	337	1974	1973	1972
1	Decompressor Ass'y	1	1	1	420 984 510	420 984 510	420 984 510
2	Decompressor Switch W/Cable 320/372 MM. (12 19/32" to 14 9/16")	1	1	1	402 6004 420 992 031	402 6004 420 992 031	402 6004 420 992 031
3	Switch Bolt W/Cable 320/372 MM. (12 19/32" to 14 9/16")	1	1	1	402 6026 420 984 527	402 6026 420 984 527	402 6026 420 984 527
4	Switch Housing	1	1	1	402 6031 420 931 012	402 6031 420 931 012	402 6031 420 931 012
5	Cap Nut M12 x 1	1	1	1	402 6028 420 842 175	402 6028 420 842 175	402 6028 420 842 175
6	Cyl. Screw H4 x 7	2	2	2	402 6029 420 640 181	402 6029 420 640 181	402 6029 420 640 181
7	Lock Washer 4	2	2	2	402 6011 420 945 758	402 6011 420 945 758	402 6011 420 945 758
8	Reinforcement Spring	2	2	2	402 7016 420 938 460	402 7016 420 938 460	402 7016 420 938 460
9	Switch Spring	1	1	1	402 6010 420 938 440	402 6010 420 938 440	402 6010 420 938 440
10	Lock Spring	1	1	1	402 6008 420 938 450	402 6008 420 938 450	402 6008 420 938 450
11	Locking And Sealing Sleeve	1	1	1	402 6009 420 830 240	402 6009 420 830 240	402 6009 420 830 240
					402 6015	402 6015	402 6015

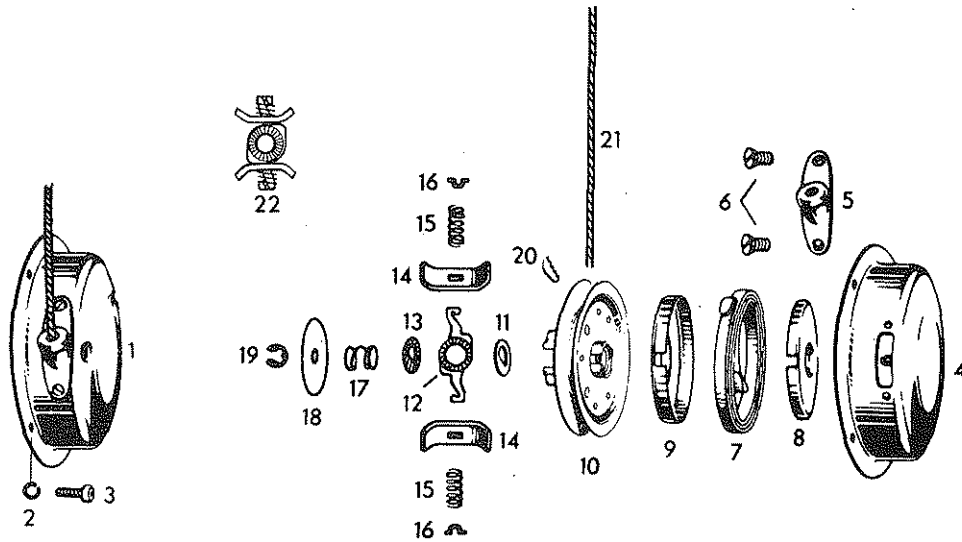
REWIND STARTER 398 in 1972 Only

1974



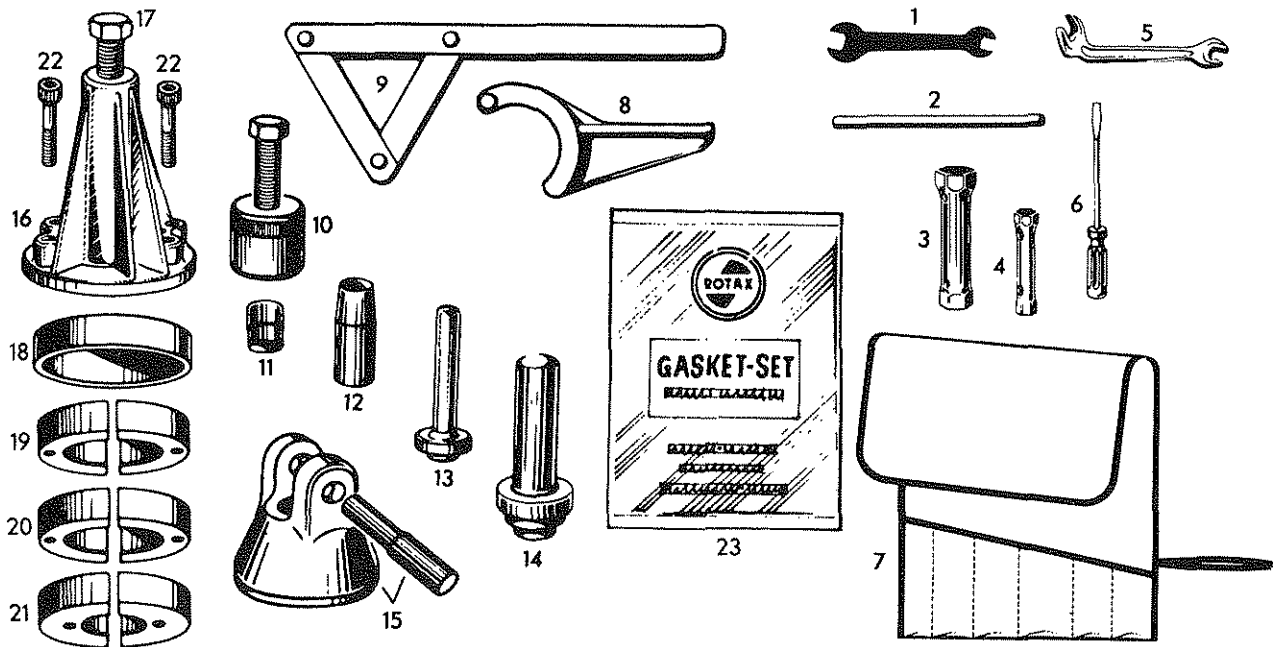
ITEM NO.	DESCRIPTION	QUANTITY				PART NO		
		346	396	436	398	1974	1973	1972
1	N Rewind Starter.....	1	1	1	1	420 993 375	420 992 635	420 984 869
2	Lock Washer 6	4	4	4	4	420 945 751	420 945 751	420 945 751
3	Hex. Screw M6 x 14	4	4	4	4	420 241 185	420 241 185	420 241 185
4	N Starter Housing	1	1	1	1	420 912 445	420 911 759	420 911 759
5	N Starter Stop	1	1	1	1	420 912 397	420 911 257	420 911 257
6	Countersunk Screw M5 x 8	2	2	2	2	420 940 310	420 940 310	420 940 310
7-8-9	Spring Cartridge Ass'y.....	1	1	1	1	420 984 452	420 984 452	420 984 452
7	Rewind Spring.....	1	1	1	1	420 938 001	420 938 005	420 938 005
8	Spring Guide	1	1	1	1	420 927 692	420 927 692	420 927 692
9	Cover Spring Guide.....	1	1	1	1	420 927 900	420 927 900	420 927 900
10	Rope Sheave.....	1	1	1	1	420 852 068	420 852 068	420 852 068
11	D Washer	1	1	1	1	420 927 305	420 927 305	420 927 305
12-14	Pawl Ass'y.....	1	1	1	1	420 881 275	420 881 275	420 881 275
15-16	Pivot Arm.....	1	1	1	1	420 952 835	420 952 835	420 952 835
12	Friction Washer	1	1	1	1	420 927 650	420 927 650	420 927 650
13	Friction Washer	1	1	1	1	420 927 650	420 927 650	420 927 650
14	Pawl.....	2	2	2	2	420 952 846	420 952 846	420 952 846
15	Pawl Spring	2	2	2	2	420 938 010	420 938 010	420 938 010
16	Pawl Spring Stop.....	2	2	2	2	420 952 820	420 952 820	420 952 820
17	Friction.....	1	1	1	1	420 938 020	420 938 020	420 938 020
18	Cover Washer	1	1	1	1	420 927 310	420 927 310	420 927 310
19	Circlip	1	1	1	1	420 945 710	420 945 710	420 945 710
20	Key Clamp.....	1	1	1	1	420 852 070	420 852 070	420 852 070
21	Starter Rope 2110mm.....	1	1	1		420 852 091	420 852 091	
21	Starter Rope 1700mm.....				1	420 5075	420 5075	420 952 799
22	Rubber Buffer	1	1	1	1	570 0319	420 960 410	420 960 410
23	Starter Grip.....	1	1	1	1	572 1208	420 952 805	420 952 805

REWIND STARTER (440)



ITEM NO.	DESCRIPTION	QTY	PART NO.	
				1974
1	N Rewind Starter Ass'y.....	1		420 993 371
2	Lock Washer 6.....	4		420 945 751
3	Hex. Screw M6 x 14.....	4		402 0015 420 840 390
4	N Starter Housing.....	1		402 2208 420 912 445
5	Starter Stop.....	1		420 911 257
6	Countersunk Screw M5 x 8.....	2		402 5036 420 940 310
7-8-9	Spring Cartridge Ass'y.....	1		402 5037 420 984 452
7	Rewind Spring.....	1		402 5023 420 938 001
8	Spring Guide.....	1		402 5043 420 927 692
9	Cover, Spring Guide.....	1		402 5038 420 927 900
10	Rope Sheave.....	1		402 5044 420 852 068
11	D-Washer.....	1		402 5076 420 927 305
12	Pivot Arm.....	1		402 5026 420 952 835
13	Friction Washer.....	1		402 5028 420 927 650
14	Pawl.....	2		402 5027 420 952 846
15	Pawl Spring.....	2		402 5029 420 938 010
16	Pawl Spring Stop.....	2		402 5030 420 952 820
17	Friction Spring.....	1		402 5031 420 938 020
18	Cover Washer.....	1		402 5032 420 927 310
19	Cir Clip.....	1		402 5033 420 945 710
20	Key Clamp.....	1		402 5034 420 852 070
21	Starter Rope 2110 mm.....	1		402 5057 420 852 091
22	N Pawl Ass'y.....	1		402 5075 420 881 275

TOOLS & GASKET SET
292 in 72 Only—337 in 73-72 Only



ITEM NO.	DESCRIPTION	QUANTITY				PART NO.		
		247	292	302	337	1974	1973	1972
1 to 7	Tool bag W/Tools.....	1	1	1	1	420 876 180	420 876 180	420 876 180
1	Fork Wrench 11/13 mm.....	1	1	1	1	420 876 230	420 876 230	420 876 230
2	Bolt 8 x 130, Socket Wrench.....	1	1	1	1	420 977 420	420 977 420	420 977 420
3	Socket Wrench 21/26 mm.....	1	1	1	1	420 876 210	420 876 210	420 876 210
4	Socket Wrench 11/13 mm.....	1	1	1	1	420 876 220	420 876 220	420 876 220
5	Angular Wrench 10/13 mm.....	1	1	1	1	420 876 110	420 876 110	420 876 110
6	Screw Driver.....	1	1	1	1	420 876 200	420 876 200	420 876 200
7	Tool Bag.....	1	1	1	1	420 876 190	420 876 190	420 876 190
8	Holder, Crankshaft.....	1	1	1	1	420 977 890	420 977 890	420 977 890
9	Wrench To Hold Fan (Elect. Engine).....	1			1	420 876 025	420 876 025	420 876 025
9	Wrench To Hold Fan (Manuel Engine).....	1	1	1	1	420 976 550	420 976 550	420 976 550
10	Puller For Flywheel.....	1	1	1	1	420 976 235	420 976 235	420 976 235
11	Protection Cap 18 mm.....	1	1	1	1	420 976 890	420 976 890	420 976 890
12	Sleeve For Oil Seal, Mag. Side.....	1	1	1	1	420 276 900	420 276 900	420 276 900
12	Sleeve For Oil Seal, P.T.O. Side.....	1		1		420 977 910	420 977 910	420 977 910
13	Stamp to Mount Oil Seal, Mag. Side.....		1		1	420 876 310	420 876 310	420 876 310
14	Stamp to Mount Oil Seal, P.T.O. Side.....		1		1	420 876 040	420 876 040	420 876 040
14	Stamp to Mount Oil Seal.....	1		1		420 977 920	420 977 920	420 977 920
15	Holder W/Bolt, Connecting Rod.....	1	1	1	1	420 977 900	420 977 900	420 977 900
16	Puller Ass'y.....	1				420 876 296	420 876 295	420 876 295
16	Puller Ass'y.....		1	1	1	420 876 295	420 876 295	420 876 295
17	Hex. Screw M16 x 1.5 x 145.....	1	1	1	1	420 940 755	420 940 755	420 940 755
8	Ring For Puller.....	1	1	1	1	420 977 480	420 977 480	420 977 480
18	Ring For Pullet.....		1		1	420 977 490	420 977 490	420 977 490

SECTION

TOOLS

Tools Bag Complete

Repair Tools

Gasket Set

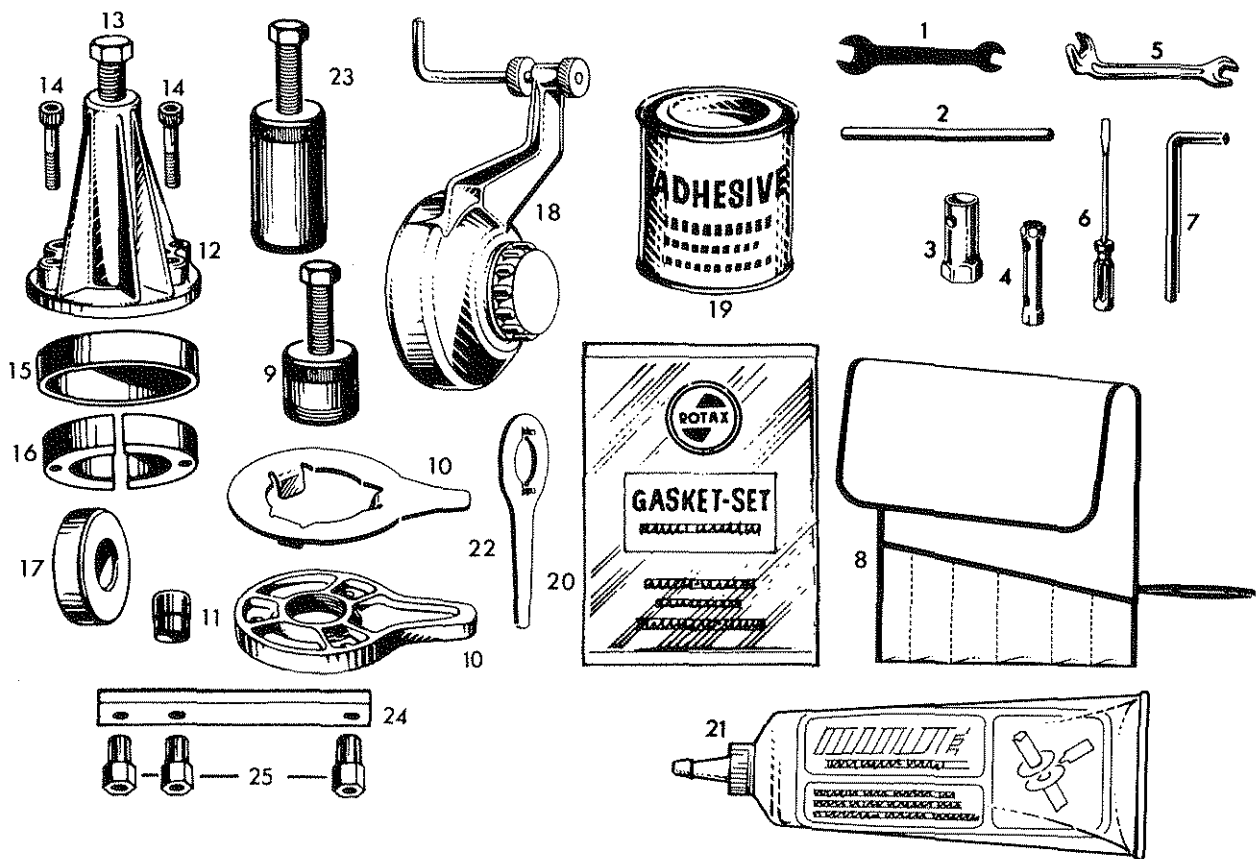
TOOLS & GASKET SET
292 in 72 Only—337 in 73-72 Only

1974

ITEM NO.	DESCRIPTION	QUANTITY				PART NO.		
		247	292	302	337	1974	1973	1972
19	Ring Half For Ball Bearing.....	2		2		420 977 460 402 8068	420 977 460 402 8068	420 977 460 402 8068
20	Ring Half For Ball Bearing.....		2		2	420 977 470 402 8069	420 977 470 402 8069	420 977 470 402 8069
21	Ring Half For Roller Bearing.....		2		2	420 876 300 402 8066	420 876 300 402 8066	420 876 300 402 8066
22	Cyl. Screw W/Int. Hex. M8 x 40.....	2	2	2	2	420 840 680 402 2287	420 840 680 402 2287	420 840 680 402 2287
23	Gasket Set.....	1				420 992 060 402 9027	420 992 060 402 9027	420 992 060 402 9027
23	Gasket Set.....		1		1		420 985 382 402 9021	420 985 382 402 9021
23	Gasket Set.....			1		420 985 390 402 9010	420 985 390 402.9010	420 985 390 402 9010

REPAIR TOOLS GASKET SET

All Models Except as noted 249 Only in 73 and 435 73-72 Only



ITEM NO.	DESCRIPTION	QTY.	PART NO.		
			1974	1973	1972
1 to 8	Tool Bag W/Tools for 248 and 294 (249 in 73 Only).....	1	420 876 187 402 8089	420 876 187 402 8089	
1 to 8	Tool Bag W/Tools For 338 401-640-434.....	1	420 876 180 402 8063	420 876 180 402 8063	420 876 180 402 8063
1 to 8	Tool Bag W/Tools For 343.....	1	420 876 180 402 8063	420 876 182 402 8080	420 876 180 402 8063
1 to 8	Tool Bag W/Tools For 435.....	1		420 876 183 402 8090	420 876 180 402 8063
1	Fork Wrench 11/13mm.....	1	420 876 230 402 8062	420 876 230 402 8062	420 876 230 402 8062
2	Bolt Socket Wrench.....	1	420 977 420 402 8039	420 977 420 402 8039	420 977 420 402 8039
3	N Socket Wrench 21MM. For 248-294.....	1	420 876 370	420 876 370	
3	Socket Wrench 21MM. For 249.....	1		420 876 215 402 8081	
3	Socket Wrench 21MM. For 343.....	1	420 876 210 402 8060	420 876 215 402 8081	
3	Socket Wrench 21/26MM. For 338-401-640-434.....	1	420 876 210 402 8060	420 876 210 402 8060	420 876 210 402 8060
3	Socket Wrench 26MM. For 435.....	1		420 976 011 402 8022	420 876 210 402 8060
4	Socket Wrench 11/13MM.....	1	420 876 220 402 8059	420 876 220 402 8059	420 876 220 402 8059
5	Angular Wrench 10/13MM.....	1	420 876 110 402 8049	420 876 110 402 8049	420 876 110 402 8049
6	Screw Driver.....	1	420 876 200 402 8061	420 876 200 402 8061	420 876 200 402 8061
7	Wrench (INT Hex. Screw) For 248-294 and 249 in 73 Only.....	1	420 876 360 402 8088	420 876 360 402 8088	
8	Tool Bag.....	1	420 876 190 402 8058	420 876 190 402 8058	420 876 190 402 8058
9	Puller Ass'y Magneto Housing.....	1	420 876 065 402 8044	420 876 065 402 8044	420 876 065 402 8044
10	Wrench To Hold Magneto Housing For 248-294 and 249 in 73 Only.....	1	420 876 350 402 8091	420 876 350 402 8091	
10	Wrench To Hold Magneto Housing.....	1	420 876 080 402 8045	420 876 080 402 8045	420 876 080 402 8045

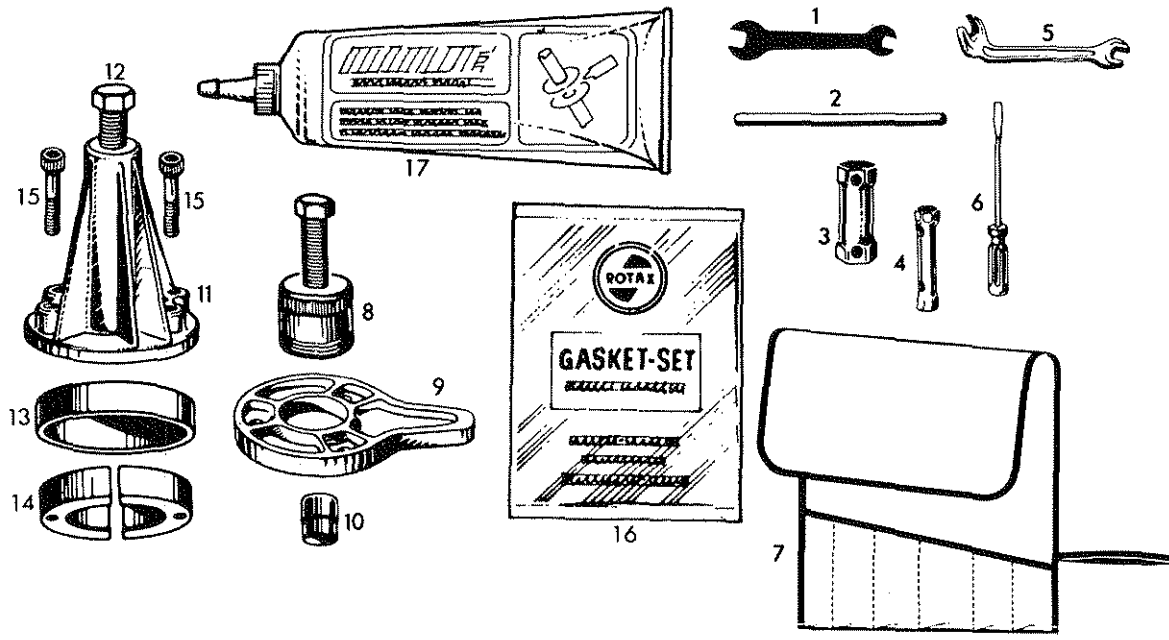
REPAIR TOOLS GASKET SET
All Models Except As Noted 249 Only 73 and 435 in 73-72 Only

1974

ITEM NO.	DESCRIPTION	QTY.	PART NO.		
			1974	1973	1972
11	Protection Cap For 248-294 and 249 in 73 Only.....	1	420 876 390	420 876 390	
			402 8094	402 8094	
11	Protection Cap For 640	1	420 876 400	420 976 890	420 976 890
			402 8096	402 8005	402 8005
11	Protection Cap.....	1	420 976 890	420 976 890	420 976 890
			402 8005	402 8005	402 8005
12-13	Puller Ass'y For 248-294 and 249 in 73 Only.....	1	420 876 296	420 876 296	
			402 8087	402 8087	
12-13	Puller Ass'y.....	1	420 876 296	420 876 296	420 876 295
			402 8087	402 8087	402 8065
12-13	Puller Ass'y For 640	1	420 876 296	420 876 295	420 876 295
			402 8087	402 8065	402 8065
12-13	Puller	1			420 875 295
					402 8065
13	Hex. Screw M16 x 1.5 x 145 For Puller.....	1	420 940 755	420 940 755	420 940 755
			402 8086	402 8086	402 8086
14	Cyl. Screw W/INT Hex. M8 x 40 For Puller.....	2	420 840 680	420 840 680	420 840 680
			402 2287	402 2287	402 2287
15	Ring For Puller.....	1	420 977 480	420 977 480	420 977 480
			402 8070	402 8070	402 8070
15	Ring For Puller For 640	1	420 977 490	420 977 490	420 988 490
			402 8071	402 8071	402 8071
16	Ring Half For Puller For 248-294 and 249 in 73 Only	2	420 876 330	420 876 330	
			402 8082	402 8082	
16	Ring Half For Puller For 338-343-401	2	420 977 460	420 977 460	420 977 460
			402 8068	402 8068	402 8068
16	Ring Half For Puller For 640.....	2	420 977 470	420 977 470	420 977 470
			402 8069	402 8069	402 8069
16	Ring Half For Puller (Ball Bearing) 434 and 435 in 73-72 Only.....	2	420 979 490	420 977 490	420 977 490
			402 8071	402 8071	402 8071
17	Crankshaft Ring For 248-294 and 249 in 73 Only.....	1	420 876 380	420 876 380	
			402 8093	402 8093	
17	Crankshaft Ring For 338-343-401	1	420 876 150	420 876 150	420 876 150
			402 1207	402 1207	402 1207
17	Crankshaft Ring For 640 Only.....	1	420 876 160	420 876 160	420 876 160
			402 1208	402 1208	402 1208
18	Aligning Tool For V-Belt Pulley For 248-294 and 249 in 73 Only.....	1	420 876 440	420 876 440	
			402 8095	402 8095	
19	Adhesive Isarplast L700	1	420 899 680	420 899 680	420 899 680
			402 9015	402 9015	402 9015
20	Gasket For 248.....	1	420 993 100	420 993 100	
			402 9056	402 9056	
20	Gasket For 294.....	1	420 993 110	420 993 110	
			402 9058	402 9058	
20	Gasket For 249 in 73 Only.....	1		420 993 105	
				402 9057	
20	N Gasket For 343	1	420 992 276	420 992 275	420 992 275
				402 9044	402 9044
20	Gasket For 338.....	1	420 992 275	420 992 275	420 992 275
			402 9044	402 9044	402 9044
20	Gasket For 401.....	1	420 985 405	420 985 405	420 985 405
			402 9013	402 9013	402 9013
20	N Gasket For 640	1	420 985 414	420 985 412	420 985 412
				402 9045	402 9045
20	Gasket For 434 and 435 in 73-72 Only	1	420 992 271	420 992 271	420 992 271
			402 9047	402 9047	402 9047
20	Gasket For 641	1			420 985 413
					402 9048
20	Gasket For 775 Up To Serial No. 2,330,741	1			420 985 416
					402 9024
20	Gasket For 775 Above Serial No. 233 0741.....	1			420 985 417
					402 9046
21	Lock N'Seal (Loctite 277) 6cc.....	1	416 0016	416 0016	416 0016
21	Lock N'Seal (Loctite 277) 50cc.....	1	413 7018	413 7018	413 7018
22	Wrench To Hold Pulley Halves For 338-343-481-640.....	1	420 977 880	420 977 880	420 977 880
			402 8053	402 8053	402 8053
23	Puller Ass'y Starter Geap For 338-401-640-434	1	420 876 145	420 876 145	420 876 145
			402 8055	402 8055	402 8055
24	Cylinder Aligning Tool For 338-343-401-640-434 and 435 in 73-72 Only.....	1	420 876 170	420 876 170	420 876 170
			402 8057	402 8057	402 8057
25	Nut M 8.....	3	420 842 160	420 842 160	420 842 160
			402 8056	402 8056	402 8056

REPAIR TOOLS GASKET SET

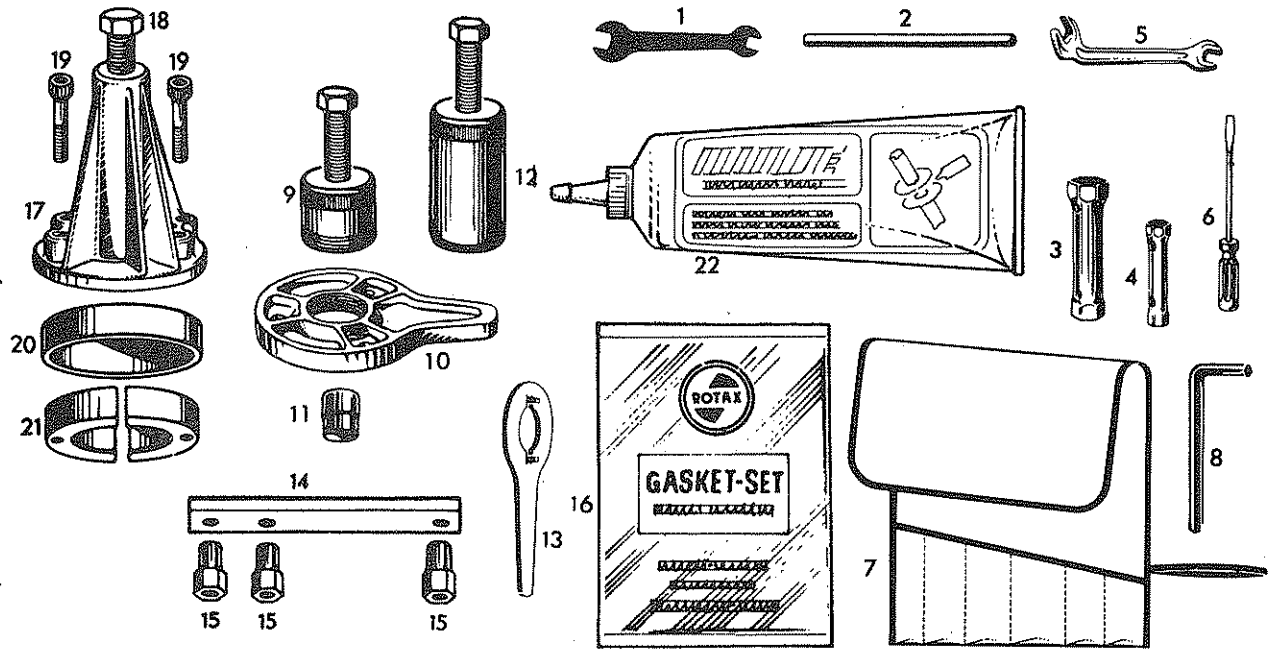
398 (TNT 400 F/A in 72 Only—346-396 in 74-73 Only and 436 in 74 Only



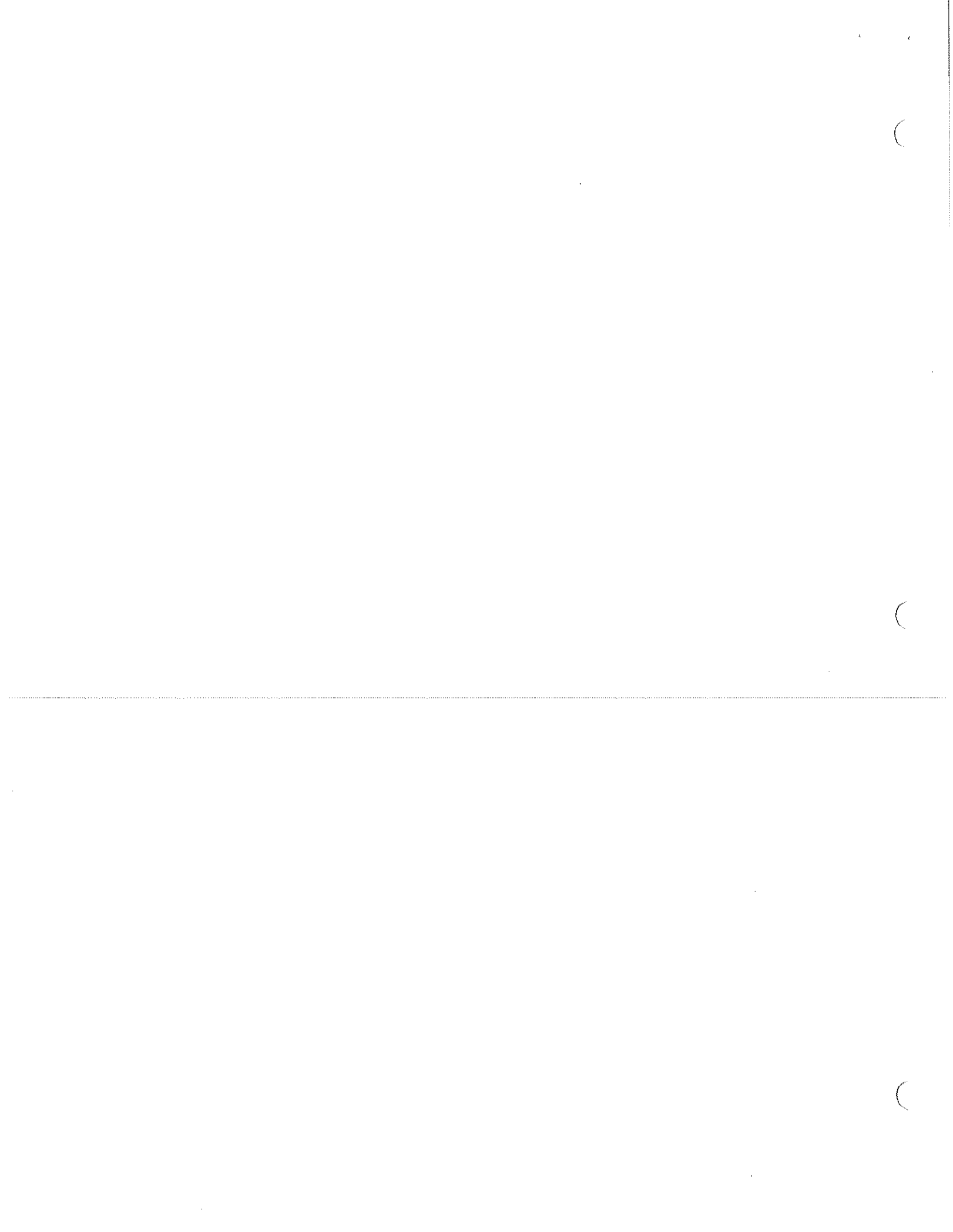
ITEM NO.	DESCRIPTION	QUANTITY				PART NO.		
		346	396	398	436	1974	1973	1972
1 to 7	Tool Bag W Tools Ass'y.....	1	1	1	1	420 876 182	420 876 182	420 876 182
1	Fork Wrench 11/13mm.....	1	1	1	1	420 876 230	420 876 230	420 876 230
2	Bolt 8 x 130, Socket Wrench.....	1	1	1	1	420 977 420	420 977 420	420 977 420
3	Socket Wrench.....	1	1	1	1	420 8039	420 8039	420 8039
3	Socket Wrench 21mm.....	1	1	1	1	420 876 370	420 876 215	420 876 215
4	Socket Wrench 11/18mm.....	1	1	1	1	420 876 220	420 876 220	420 876 220
5	Angular Wrench 10/13mm.....	1	1	1	1	420 876 110	420 876 110	420 876 110
6	Screw Driver.....	1	1	1	1	420 876 200	420 876 200	420 876 200
7	Tool Bag.....	1	1	1	1	420 876 190	420 876 190	420 876 190
8	Puller Ass'y Flywheel.....	1	1	1	1	420 876 065	420 876 065	420 876 065
9	Wrench to Hold Magneto Housing.....	1	1	1	1	420 876 085	420 876 085	420 876 085
10	Protection Cap 32mm.....	1	1	1	1	420 876 400	420 876 400	420 876 400
11-12	Puller Ass'y.....	1	1	1	1	420 876 296	420 876 296	420 876 296
12	Hex. Screw M16 x 1.5 x 145.....	1	1	1	1	420 940 755	420 940 755	420 940 755
13	Ring For Puller Ball Bearing.....	1	1	1	1	420 977 480	420 977 480	420 977 480
14	Ring Half Ball Bearing.....	2	2	2	2	420 977 460	420 977 460	420 977 460
15	Cyl. Screw W/Int. Hex. M8 x 40 For Puller.....	2	2	2	2	420 840 680	420 840 680	420 840 680
16	Gasket.....	1				420 2287	420 2287	420 2287
16	Gasket.....	1				420 993 311	420 993 310	
16	Gasket.....		1			420 993 316	420 993 315	
16	Gasket.....		1			420 993 316	420 993 315	
16	Gasket.....			1	1	420 993 126	420 993 126	420 992 830
17	Lockn'seal (Loctite 277) 6cc.....	1	1	1	1	416 0016	416 0016	416 0016
17	Lockn'seal (Loctite 277) 50cc.....	1	1	1	1	413 7018	413 7018	413 7018

REPAIR TOOLS, GASKET SETS (440)

1974

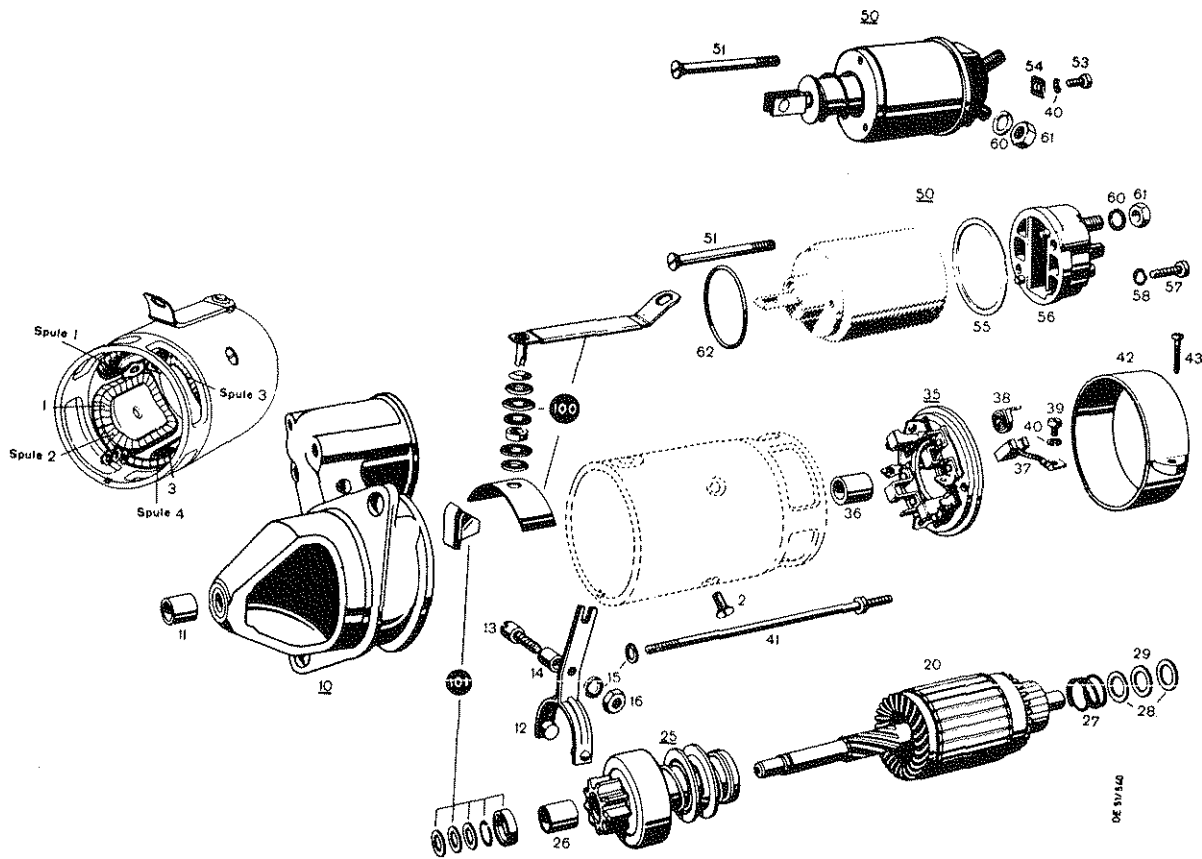


ITEM NO.	DESCRIPTION	QTY	PART NO.	
				1974
1 to 8	N Tool Bag W/Tools.....	1		420 876 184
1	Fork Wrench 11/13 mm.....	1		420 876 230 402 8062
2	Bolt, Socket Wrench.....	1		420 977 420 402 8039
3	Socket Wrench 21/26 mm.....	1		420 876 210 402 8060
4	Socket Wrench 11/13 mm.....	1		420 876 220 402 8059
5	Angular Wrench 10/13 mm.....	1		420 876 110 402 8049
6	Screw Driver.....	1		420 876 200 402 8061
7	Tool Bag.....	1		420 876 190 402 8058
8	Wrench 5, Int. Hex. Screw.....	1		420 876 360 402 8088
9	Puller Ass'y, Magneto Housing.....	1		420 876 065 402 8044
10	Wrench To Hold Magneto Housing.....	1		420 876 080 402 8045
11	Protection Cap.....	1		420 876 400 402 8096
12	Puller Ass'y, Starter Gear.....	1		420 876 145 402 8055
13	Wrench To Hold Pulley Halves.....	1		420 977 880 402 8053
14	Cylinder Aligning Tool.....	1		420 876 170 402 8057
15	Nut M8.....	3		420 842 160 402 8056
16	N Gasket Set.....	1		420 992 272
17	Puller Ass'y.....	1		420 876 296 402 8087
18	Hex. Screw M16 x 1.5 x 145.....	1		420 940 755 402 8086
19	Cyl. Screw W/int. Hex. M8 x 40.....	2		420 840 680 402 2287
20	Ring For Puller.....	1		420 977 480 402 8070
21	Ring Half For Ball Bearing.....	2		420 977 460 402 8068
22	Loctite Flange Gasket 50cc.....	1		413 7018



SECTION STARTER

Bosch Electric Starter (1 Cyl.)
Mitsubishi Electric Starter (1 Cyl.)
Bosch Electric Starter (2 Cyl.)



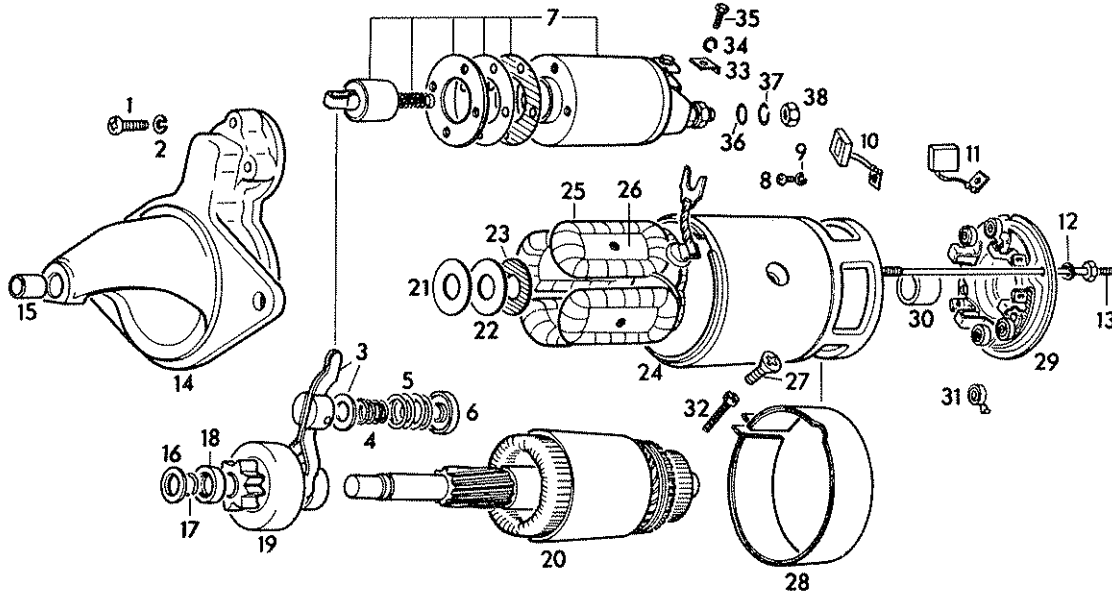
ITEM NO.	DESCRIPTION	QTY.	PART NO.
	Starter Ass'y All Except Nordic 640 - Valmont Alpine 71-72-73-74.....	1	420 984 970
	Starter Ass'y Nordic 640 - Valmont Alpine 640 (Drive End is cut).....	1	402 7060
	Field Winding Coils, 3 and 4.....	1	561 2003
1	Field Winding Coils, 1 and 2.....	1	420 864 340
			402 7064
1	Countersunk Screw M8 x 10	4	420 864 345
			402 7065
2	Countersunk Screw M6 x 10	4	420 840 460
			402 7073
9	Connecting Rail.....	1	420 241 165
			402 7020
3	Drive End Bracket (All Except Nordic 640 - Valmont Alpine 71-72-73-74).....	1	420 965 025
10-11	Drive End Bracket (Nordic 640 - Valmont Alpine 71-72-73-74).....	1	402 7051
10-11	Bearing Bushing.....	1	420 864 355
11		1	402 7066
		1	561 2019
12	Engaging Lever	1	420 933 170
			402 7023
13	Screw M5	1	420 948 980
			402 7025
14	Bushing	1	420 940 925
			402 7026
15	Lock Washer	1	420 947 780
			402 7027
16	Hex. Nut M5	3	420 945 750
		1	402 4024
			420 942 210
			402 7049

BOSH ELECTRIC STARTER, SPARE PARTS (TWO CYLINDERS)
All Years Except as Noted

1974

ITEM NO.	DESCRIPTION	QTY.	PART NO.
20	Armature.....	1	420 864 360
25-26	Drive Ass'y	1	402 7067 420 864 375 402 7068
26	Bearing Bushing.....	2	420 933 180 402 7024
27	Helical Spring, Armature Brake.....	1	420 938 420 402 7030
28	Washer 10.3.....	2	420 927 950 402 7032
29	Isolating Washer.....	1	420 965 060 402 7033
35	Commutator Bracket Ass'y (W/Parts ILL. No. 36-40).....	1	420 965 075 402 7034
36	Bearing Bushing.....	1	420 933 170 402 7023
37	Carbon Brush Set (4 Pièces).....	1	420 965 080 402 7035
38	Carbon Brush Spring.....	4	420 938 430 402 7031
39A	Cyl. Screw M4 x 8	2	420 940 235 402 7036
39B	Cyl. Screw M4 x 6	2	420 941 270 402 7037
40	Lock Washer 4	4	420 964 210 402 7016
41	Screw M5	2	420 840 190 402 7048
42	Closing Band.....	1	420 965 090 402 7040
43	Cyl. Screw M4 x 16	1	420 940 471 402 2158
50	Relay Ass'y (W/Parts ILL. No. 53-59).....	1	420 965 105 402 7041
51	Countersunk Screw M5 x 50.....	3	420 940 260 402 7042
53	Cyl. Screw M4 x 8	1	420 940 236 402 7036
54	Plate, Terminal 50	1	420 965 110 402 7043
60	Lock Washer 8	1	420 445 752 402 0016
61	Hex. Nut M8	1	420 242 131 402 7044
100	Parts Set For Terminal	1	420 965 120 402 7045
101	Parts Set For Terminal	1	420 965 130 402 7046

MITSUBISHI ELECTRIC STARTER, SPARE PARTS
All 1 Cyl. in 1973-72 And Partly in 1971



ITEM NO.	DESCRIPTION	QTY	PART NO.
	Starter Ass'y.....	1	410 2001
1	Screw.....	3	410 2002
2	Washer.....	1	410 2003
3	Lever Ass'y.....	1	410 2004
4	Spring.....	1	410 2005
5	Spring.....	1	410 2006
6	Spring Holder.....	1	410 2007
7	Switch Ass'y.....	1	410 2008
8	Screw.....	4	410 2009
9	Washer.....	4	410 2010
10	Brush (+).....	2	410 2011
11	Brush (-).....	2	410 2012
12	Washer.....	2	399 8023
13	Bolt.....	2	410 2014
14-15	Front Bracket Ass'y.....	1	410 2015
15	Front Bearing.....	1	410 2016
16	Washer.....	1	410 2017
17	Ring.....	1	410 2018
18	Pinion Stopper.....	1	410 2019
19	Clutch Ass'y.....	1	410 2020
20	Armature.....	1	410 2021
21	Washer.....	2	410 2022
22	Washer.....	1	410 2023
23	Isolating Washer.....	1	410 2024
24-25	Starter Housing Ass'y.....	1	402 2025
25	Field Coil Ass'y.....	1	402 2026
26	Pole Shoe.....	4	402 2027
27	Screw.....	4	410 2028
28	Band Ass'y.....	1	410 2029
29-30	Rear Bracket Ass'y.....	1	410 2030
30	Rear Bearing.....	1	410 2031
31	Brush Spring.....	4	410 2032
32	Cyl. Screw M4 x 16.....	1	402 2158
33	Plate.....	1	402 7043
34	Lock Washer.....	1	402 7016
35	Cyl. Screw M4 x 8.....	1	402 7036
36	Washer 8.4.....	2	402 0031
37	Lock Washer.....	2	402 0016
38	Hex. Nut M8.....	2	402 0018

SECTION MAGNETO

Magneto Generator

Magneto Housing

Ignition Coil

Generator Coil

Brake Light Coil

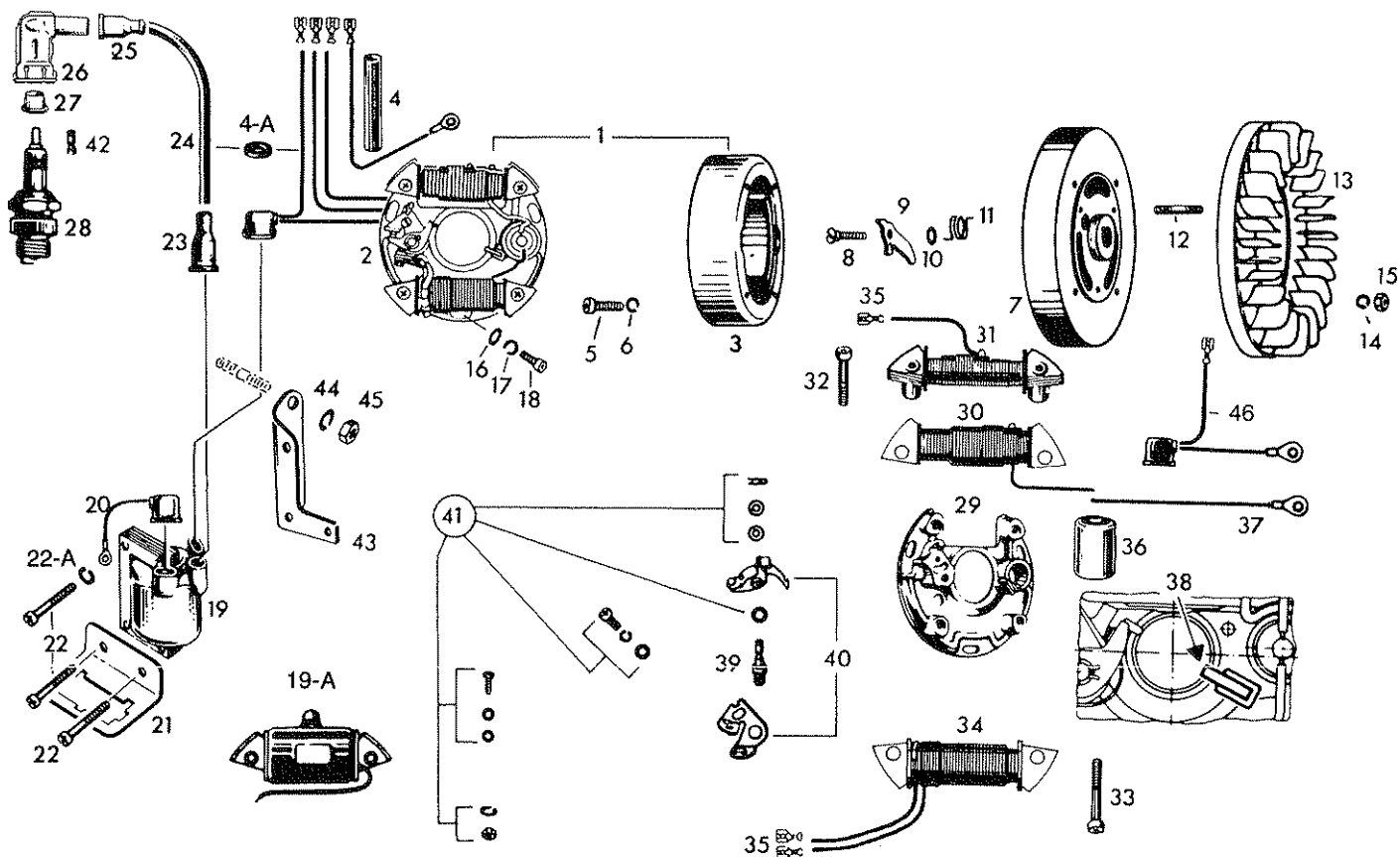
Lighting Coil

Spark Plug

Condenser

Contact And Breaker Point Set

MAGNETO GENERATOR 12V 75W/23W
 292 + 337E in 72 Only—337 in 73-72 Only



ITEM NO.	DESCRIPTION	QUANTITY				PART NO.		
		247	292	302	337	1974	1973	1972
1	N Magneto Generator 12V 75W/23W	1				420 992 562	420 992 561	
1	Magneto Generator 12V 75W/23W			1	1	420 992 561	420 992 561	
1	Magneto Generator 12V 40W (Manuel Engine).....	1		1	1	402 4405	402 4405	420 992 281
1	Magneto Generator 12V 75W (Elect. Engine + 292).....	1	1		1	420 992 561	420 992 561	402 4369
2	N Armature Plate Ass'y.....	1		1	1	420 992 582	420 992 581	420 992 301
2	Armature Plate Ass'y (Elect. Engine + 292).....	1	1		1	402 4411	402 4411	402 4371
3	Magneto Ring.....	1		1	1	420 983 864	420 983 864	420 992 291
3	Magneto Ring (Elect. Engine + 292).....	1	1		1	402 4167	402 4167	402 4370
4	Rubber Sleeve 55mm.....	1				420 960 167		420 992 311
4A	Rubber Ring (247 in 73-72 Only)	1	1	1	1	402 0168		402 4372
5	Cyl. Screw M6 22 (Manuel Engine).....	4	4	4	4	420 830 450	420 830 450	420 985 860
6	Lock Washer 6 (Manuel Engine).....	4	4	4	4	402 0148	402 0148	402 4019
7	Magneto Housing (Manuel Engine).....	1	1	1	1	420 840 400	420 840 400	420 983 864
8	Bearing Screw M6	1	1	1	1	402 4027	402 4027	402 4167
9	Centrifugal Weight.....	1	1	1	1	420 945 761	420 945 761	
10	Washer 6.2 (Elect. Engine)	1			1	402 1341	402 1341	
11	Spring, Centrifugal Weight.....	1	1	1	1	420 964 524	420 964 524	
						402 4032	402 4032	
						420 941 360	420 941 360	
						402 4094	402 4094	
						420 964 944	420 964 944	
						402 0146	402 0146	
						420 927 940	420 927 940	
						402 7001	402 7001	
						420 938 400	420 938 400	
						402 4096	402 4096	

MAGNETO GENERATOR 12V 75W/73W
292 + 337E in 72 Only—337 in 73-72 Only

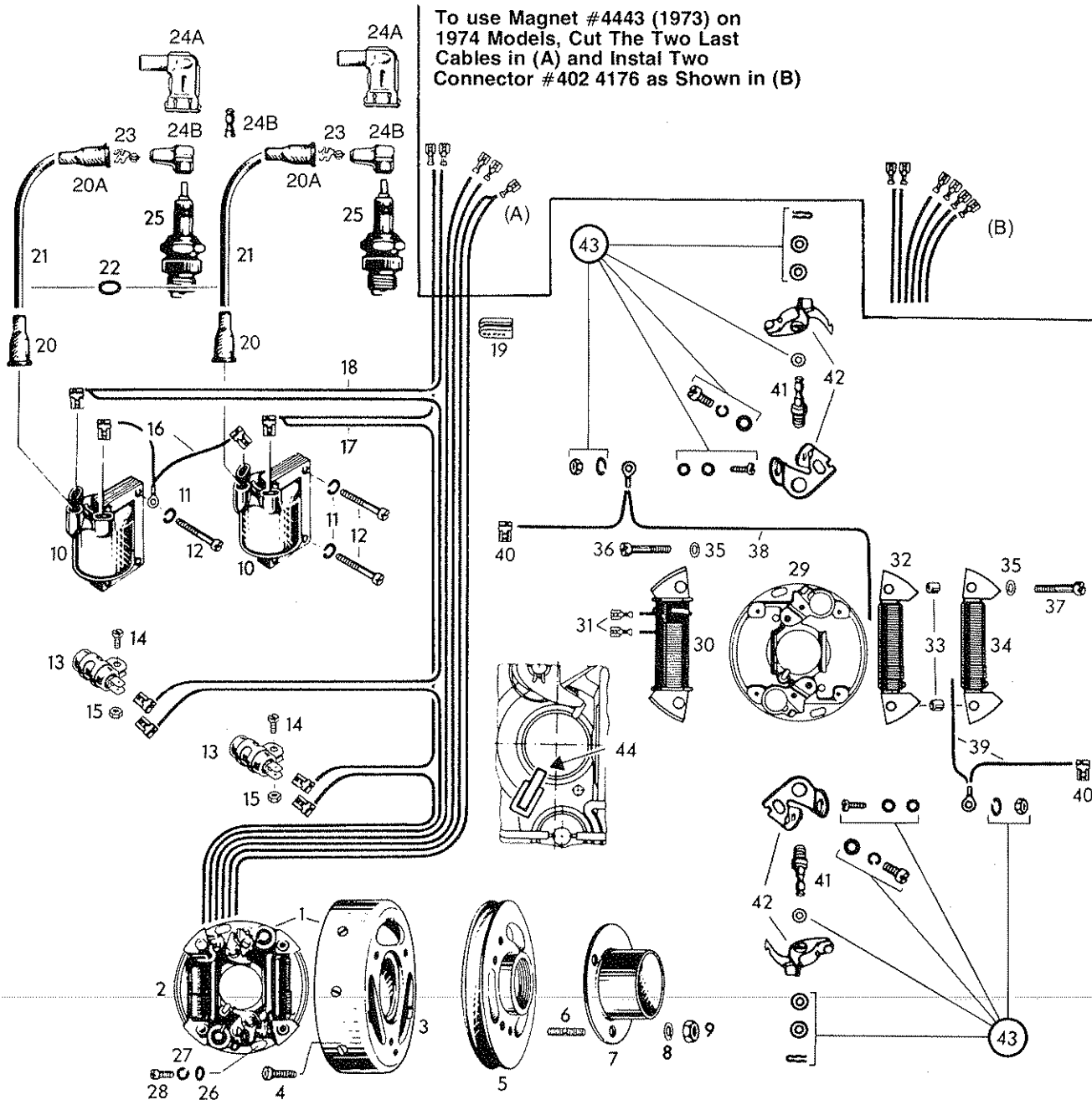
1974

ITEM NO.	DESCRIPTION	QUANTITY				PART NO.		
		247	292	302	337	1974	1973	1972
7-8	Magneto Housing Ass'y (For Manuel Engine).....	1	1	1	1	420 984 680	420 984 680	420 984 680
9-11						402 4105	402 4105	402 4105
12	Stud M6 x 15, Starting Pulley.....	2	2	2	2	420 240 750	420 240 750	420 240 750
						402 4089	402 4089	402 4089
13	Fan (Manuel Engine).....	1	1	1	1	420 964 542	420 964 542	420 964 542
						402 4339	402 4339	402 4339
14	Lock Washer 6 (Manuel Engine).....	4	4	4	4	420 945 751	420 945 751	420 945 751
						402 0015	402 0015	402 0015
15	Hex. Nut M6 (Manuel Engine).....	4	4	4	4	420 242 210	420 242 210	420 242 210
						402 2053	402 2053	402 2053
16	Washer 5.3.....	3	3	3	3	420 927 570	420 927 570	420 927 570
						402 4133	402 4133	402 4133
17	Lock Washer 5.....	3	3	3	3	420 945 750	420 945 750	420 945 750
						402 4024	402 4024	402 4024
18	Cyl. Screw M5 x 18 W/Int. Hex.....	3	3	3	3	420 840 515	420 840 515	420 840 515
						402 4241	402 4241	402 4241
19	Ignition Coil (Elect. Engine + 292).....	1	1		1	420 984 555	420 984 555	420 984 555
						402 7008	402 7008	402 7008
19	Ignition Coil (Manuel Engine).....	1		1	1	420 984 555	420 984 555	420 984 555
						402 7008	402 7008	402 7008
19A	Ignition Coil (Manuel Engine).....	1		1	1			420 964 680
								402 4040
20	Mass Cable Ass'y Yel 80MM (Manuel Engine).....	1		1	1	420 864 270	420 864 270	
						402 7062	402 7062	
20	Mass Cable Ass'y Yel 80MM (Elect. Engine + 292).....	1	1		1	420 864 270	420 864 270	420 864 270
						402 7062	402 7062	402 7062
21	Bracket For Junction Box.....	1				420 853 320		
22	Cyl. Screw M5 x 22.....	3		3		420 240 978	420 240 978	420 240 978
						402 7004	402 7004	402 7004
22	Cyl. Screw M5 x 20.....		3		3		420 840 351	420 840 351
							402 2229	402 2229
22A	Lock Washer 5 (Elect. Engine + 292).....	2	3		2		420 945 750	420 945 750
	Connector.....		1				402 4024	402 4024
								420 864 950
								402 4349
23	Protection Cap.....	1	1	1	1	420 960 550	420 960 550	420 960 550
						402 7003	402 7003	402 7003
24	Ignition Cable 360MM (Manuel Engine) 410MM in 72.....	1				420 864 695	420 864 695	420 864 030
						402 4248	402 4248	402 7007
24	Ignition Cable 360MM (Elect. Engine).....	1				420 864 695	420 864 695	420 864 695
						402 4248	402 4248	402 4248
24	Ignition Cable 465MM (Manuel Engine) 480MM in 72.....			1	1	420 864 035	420 864 035	420 864 070
						402 7006	402 7006	402 4106
24	Ignition Cable 465MM (Elect. Engine + 292).....		1		1	420 864 035	420 864 035	420 864 035
						402 7006	402 7006	402 7006
25	N Protection Cap.....	1				420 960 555		
26	N Spark Plug Protector.....	1	1	1	1	420 983 402	420 983 400	420 983 400
							402 4076	402 4076
27	Sealing Sleeve.....	1				420 960 780		
						402 4452		
28	Spark Plug M175T1 (M240T1 in 73-72).....	1		1	1	420 999 840	420 999 880	420 999 880
						402 4078	402 4079	402 4079
28	Spark Plug M280T31.....		1					420 999 230
								402 4080
29	Armature Plate.....	1	1	1	1	420 969 675	420 969 675	420 969 670
						402 4412	402 4412	402 4037
30	Generator Coil W/Cable, Black (On Manuel Only in 74-73).....	1	1	1	1	420 864 321	420 864 321	420 864 321
						402 7063	402 7063	402 7063
31	Brake Light Coil W/Cable Green.....	1		1	1	420 865 347	420 865 347	
						402 4404	402 4404	
32	Cyl. Screw M5 x 32 (Manuel Eng. M5 x 28 in 72).....	2		2	2	420 241 415	420 241 415	420 240 415
						402 2538	402 2538	402 2538
32	Cyl. Screw mé x 20 (Elect. Eng. + 292).....	2	2		2			420 840 351
								402 2229
	Lock Washer.....	4	4	4	4			420 945 750
								402 4024
33	Cyl. Screw M5 x 25 (M5 x 28 in 72).....	2	2	2	2	420 640 095	420 240 975	420 240 973
						402 4413	402 4413	402 4048
34	Lighting Coil W/2 Cables Yel./Gr. (Manuel Eng.).....	1		1	1	420 865 025	420 865 025	420 865 015
						402 4357	402 4357	402 4356
34	Lighting Coil W/2 Cables Yel./Gr. (Elect. Eng. + 292).....	1	1		1	420 865 025	420 865 025	420 865 025
						402 4357	402 4357	402 4357
35	Faston Connector 6.3.....	3	2	3	3	420 864 011	420 864 011	420 864 011
						402 4176	402 4176	402 4176
36	Condenser.....	1	1	1	1	420 965 910	420 965 910	420 965 910
						402 4068	402 4068	402 4068
37	Cable Condenser.....	1	1	1	1	420 964 690	420 964 690	420 964 690
						402 4070	402 4070	402 4070
38	Lubricating Wick.....	1	1	1	1	420 265 815	420 265 815	420 265 815
						402 4116	402 4116	402 4116

ITEM NO.	DESCRIPTION	QUANTITY				PART NO.		
		247	292	302	337	1974	1973	1972
39	Pivot Pin, Contact Breaker	1	1	1	1	420 240 669 402 4049	420 240 669 402 4049	420 240 669 402 4049
40	Contact and Breaker Point Set.....	1	1	1	1	420 983 341 402 4050	420 983 341 402 4050	420 983 341 402 4050
41	Parts Set.....	1	1	1	1	420 964 210 402 7016	420 964 210 402 7016	420 964 210 402 7016
42	N Spark Plug Nut.....	1				420 842 260		
43	Mounting Flange, Ignition Coil.....		1		1		420 853 140 402 4242	420 853 140 402 4242
44	Lock Washer 8		2		2		420 945 752 402 0016	420 945 752 402 0016
45	Hex. Nut M8		2		2		420 942 671 402 2041	420 942 671 402 2041
46	Generator And Shorting Cable Ass'y (Manuel Engine).....	1		1	1	420 864 095 402 7077		
46	Shorting Cable Black 560MM.....	1		1	1			420 964 270 402 4332
46	Generator And Shorting Cable Ass'y (Elect. Engine + 292).....	1	1		1		420 864 095 402 7077	420 864 095 402 7077

MAGNETO GENERATOR 12V 55/18W 249 in 73 Only

1974



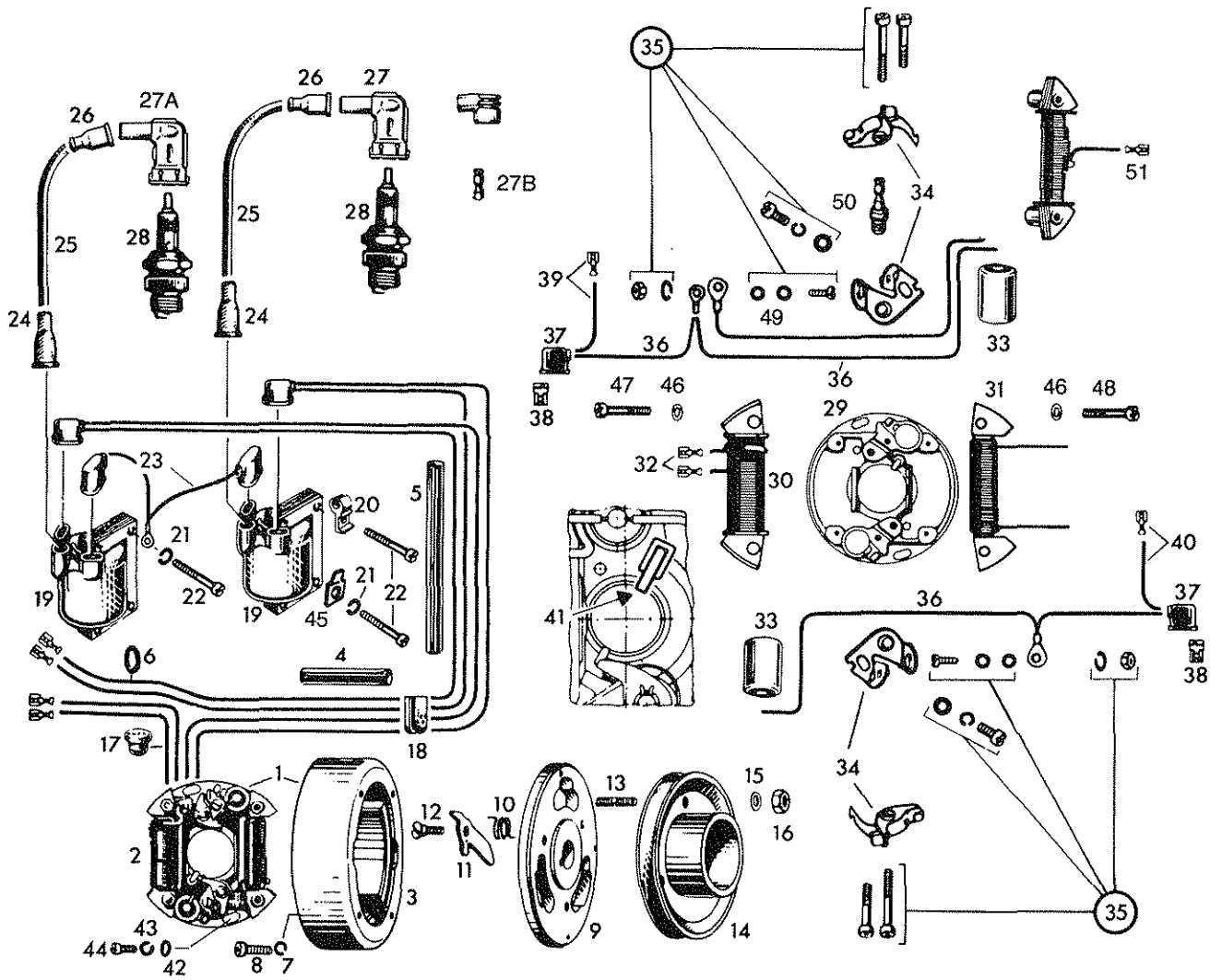
To use Magnet #4443 (1973) on 1974 Models, Cut The Two Last Cables in (A) and Instal Two Connector #402 4176 as Shown in (B)

ITEM NO.	DESCRIPTION	QUANTITY			PART NO.	
		248	249	294	1974	1973
1	Magneto Generator Ass'y (see Service Bulletin No. 285)	1	1	1	420 992 275 402 4443	420 992 751 402 4443
2	Armature Plate Ass'y	1	1	1	420 992 771 402 4445	420 992 771 402 4445
3-4-5	Magneto Ring W/Magneto Housing Ass'y	1	1	1	420 992 765 402 4490	420 992 765 402 4490
3	Magneto Ring	1	1	1	420 992 760 402 4444	420 992 760 402 4444
4	Cyl. Screw M6 x 16	3	3	3	420 940 090 402 4491	420 940 090 402 4491
5	Magneto Housing	1	1	1	420 865 300 402 4430	420 865 300 402 4430
6	Stud M6 x 10	3	3	3	420 840 250 402 1333	420 840 250 402 1333
7	Starting Pulley	1	1	1	420 852 085 402 5080	420 852 085 402 5080

ITEM NO.	DESCRIPTION	QUANTITY			PART NO.	
		248	249	294	1974	1973
8	Lock Washer 6	3	3	3	420 945 751 402 0015	420 945 751 402 0015
9	Hex. Nut M6	3	3	3	420 242 211 402 2053	420 242 210 402 2053
10	Ignition Coil	2	2	2	420 984 555 402 7008	420 984 555 402 7008
11	Lock Washer 5	6	6	6	420 945 750 402 4024	420 945 750 402 4024
12	Cyl. Screw M5 x 22	6	6	6	420 240 978 402 7004	420 240 978 402 7004
13	Condenser W/Clamp	2	2	2	420 865 325 402 4431	420 865 325 402 4431
14	Cyl. Screw M4 x 8	2	2	2	420 940 235 402 7036	420 940 235 402 7036
15	Hex. Nut M4	2	2	2	420 242 530 402 4446	420 242 530 402 4446
16	Mass. Cable Ass'y.....	1	1	1	420 864 282 402 4428	420 864 282 402 4428
17	Shorting Cable Ass'y Magneto Side.....	1	1	1	420 865 405 402 4433	420 865 405 402 4433
18	Shorting Cable Ass'y P.T.O. Side	1	1	1	420 865 400 402 4432	420 865 400 402 4432
19	Cable Grommet.....	1	1	1	420 960 585 402 4437	420 960 585 402 4437
20	Protection Cap	2	2	2	420 960 550 402 7003	420 960 550 402 7003
20A	N Protection Cap	2	2	2	420 960 555 420 7003	420 960 550 420 7003
21	Ignition Cable 300MM.	2	2	2	420 864 294 402 4429	420 864 294 402 4429
22	Rubber Ring.....	1	1	1	420 830 450 402 0148	420 830 450 402 0148
23	Clamp, Spark Plug Protector.....	2	2	2		420 864 440 402 4244
24	Spark Plug Protector.....	2	2	2		420 864 400 402 4076
24A	N Spark Plug Protector.....	2		2	420 983 407	
24B	N Spark Plug Nut.....	2		2	420 842 260	
25	N Spark Plug W240MZ1, Equivalent of W240T1.....	2			420 899 121	420 299 120 402 4145
25	N Spark Plug W260MZ1, Equivalent of W260T1.....		2	2	420 899 181	420 899 180 402 4175
26	Washer 5.3.....	2	2	2	420 927 570 402 4133	420 927 570 402 4133
27	Lock Washer 5	2	2	2	420 945 750 402 4024	420 945 750 402 4024
28	Cyl. Screw M5 x 18	2	2	2	420 840 515 402 4241	420 840 515 402 4241
29	Armature Plate Alone.....	1	1	1	420 865 410 402 4434	420 865 410 402 4434
30	Lighting Coil W/Cables Ass'y.....	1	1	1	420 865 435 402 4435	420 865 435 402 4435
31	Faston Connector.....	8	8	8	420 864 011 402 4176	420 864 011 402 4176
32	Generator Coil.....	1	1	1	420 865 420 402 4439	420 865 420 402 4439
33	Distance Sleeve	2	2	2	420 847 040 402 4427	420 847 040 402 4427
34	Brake Light Coil W/Cables Ass'y.....	2	2	2	420 865 445 402 4436	420 865 445 402 4436
35	Lock Washer 4 (Repair Parts Set)	1	1	1	420 964 210 402 7016	420 964 210 402 7016
36	Cyl. Screw M4 x 25	2	2	2	420 941 281 402 2595	420 941 281 402 2595
37	Cyl. Screw M4 x 30	2	2	2	420 840 911 402 2591	420 840 911 402 2591
38	Generator Cable Ass'y Blue/Red-Black 415-65MM.....	1	1	1	420 864 978 402 4361	420 864 978 402 4361
39	Generator Cable Ass'y Blue-Black 400-100MM.....	1	1	1	420 864 976 402 4359	420 864 976 402 4359
40	Faston Connector.....	2	2	2	420 864 261 402 4177	420 864 261 402 4177
41	Pivot Pin, Contact Breaker	2	2	2	420 240 663 402 4426	420 240 663 402 4426
42	Contact Points Set	2	2	2	420 983 348 402 4440	420 983 348 402 4440
43	Parts Set, Armature Plate	2	2	2	420 964 215 402 4438	420 964 215 402 4438
44	Lubricating Wick.....	1	1	1	420 265 815 402 4116	420 265 815 402 4116

magneto generator 12V/100W FOR 343 IN 74
338 in 74-73 Only—12V/75W/23W (338-343-401)

1974



ITEM NO.	DESCRIPTION	QUANTITY			PART NO.		
		338	343	401	1974	1973	1972
1 to 46	N Magneto Generator Ass'y 12V 100W.....		1		420 993 231		
1 to 46	N Magneto Generator Ass'y 12V 75W/23W.....	1	1	1	420 992 571 402 4414	420 992 571 402 4414	
1 to 46	Magneto Generator Ass'y 12V 75W.....		1	1			420 992 321 402 4347
2 to 46	N Armature Plate Ass'y.....		1		420 993 241		
2 to 46	N Armature Plate Ass'y.....	1	1	1	420 992 591 402 4415	420 992 591 402 4415	
2 to 46	Armature Plate Ass'y.....		1	1			420 992 331 402 4344
3	Magneto Ring.....	1	1	1	420 983 864 402 4167	420 983 864 402 4167	420 983 864 402 4167
4	Rubber Sleeve 30MM.....		1		420 960 165 402 0059		
4	Rubber Sleeve 55MM.....	2	2	2	420 960 167 402 0168	420 960 167 402 0168	420 960 167 402 0168
5	N Rubber Sleeve 125MM.....		1		420 960 170		
6	Rubber Ring.....		1		420 960 700 402 4224		
7	Lock Washer 6.....	4	4	4	420 945 751 402 0015	420 945 751 402 0015	420 945 751 402 0015
8	Cyl. Screw n. INT Hex. M6 x 11.5.....	4	4	4	420 840 370 402 4148	420 840 370 402 4148	420 840 370 402 4148

MAGNETO GENERATOR 12V 100W FOR 343 IN 74
338 in 74 Only—12V 75W/23W (338-543-401)

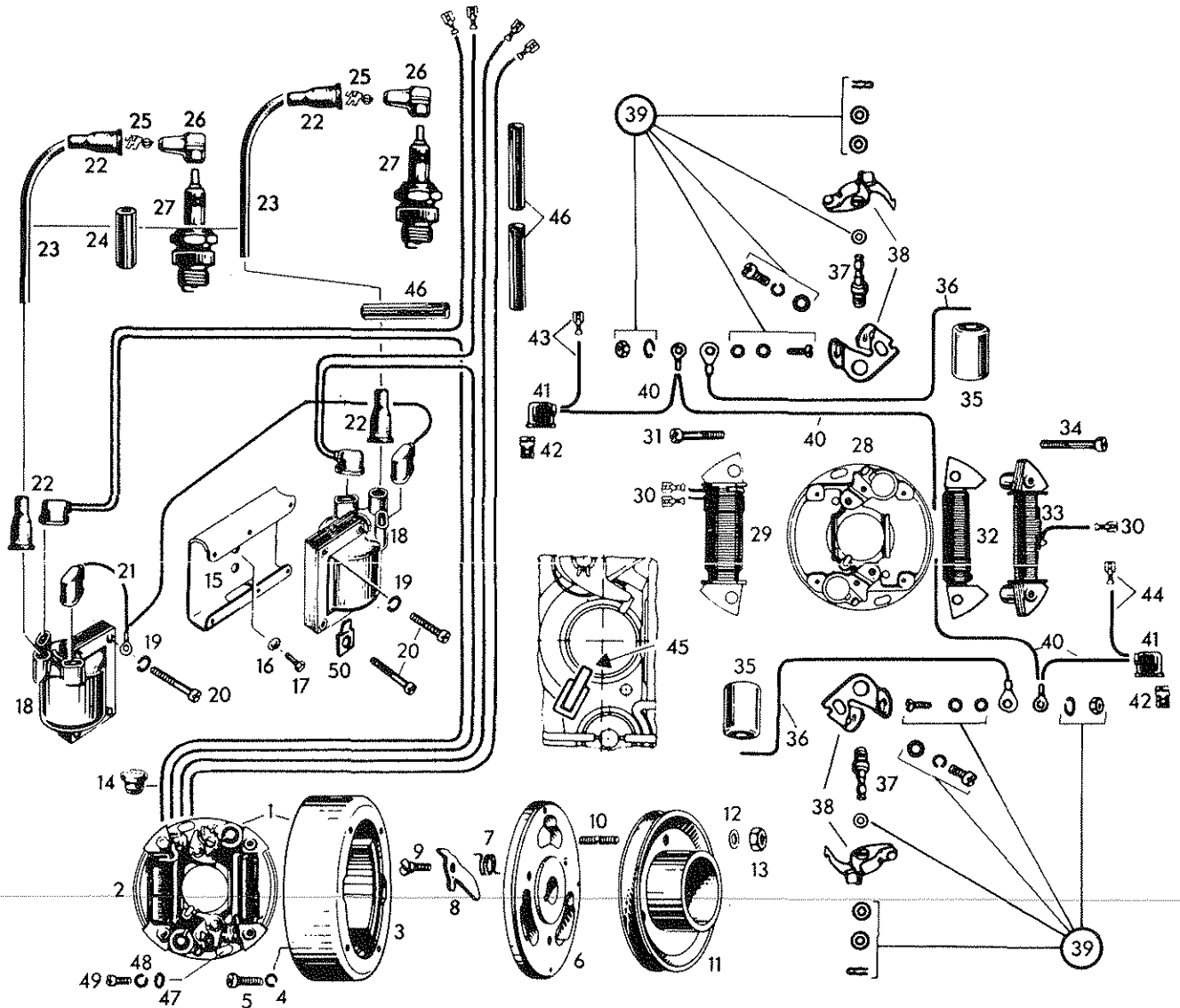
ITEM NO.	DESCRIPTION	QUANTITY			PART NO.		
		338	343	401	1974	1973	1972
9	Magneto Housing.....	1	1	1	420 864 200 402 4149	420 864 200 402 4149	420 864 200 402 4149
10	Spring, Centrifugal Weight.....	1	1	1	420 938 400 402 4096	420 938 400 402 4096	420 938 400 402 4096
11	Centrifugal Weight.....	1	1	1	420 964 947 402 4410	420 964 947 402 4410	420 964 944 402 0146
12	Bearing Screw.....	1	1	1	420 965 706 402 4418	420 965 706 402 4418	420 965 706 402 4418
13	Stud M8 x 15.....	3	3	3	420 840 330 402 5050	420 840 330 402 5050	420 840 330 402 5050
14	V-Belt Pulley.....	1	1	1	420 980 410 402 0162	420 980 410 402 0162	420 980 410 402 0162
15	Locking Washer 8.....	3	3	3	420 845 085 402 1311	420 845 085 402 1311	420 845 085 402 1311
16	Hex. Nut M8.....	3	3	3	420 942 670 402 0134	420 942 670 402 0134	420 942 670 402 0134
17	Cable Grommet.....		1		420 960 570 402 4122		420 960 570 402 4122
17	Cable Grommet.....	1	1	1	420 960 280 402 4407	420 960 280 402 4407	420 960 570 402 4122
18	Cable Grommet.....	1	1	1	420 960 580 402 4158	420 960 580 402 4158	420 960 580 402 4158
19	Ignition Coil.....	2	2	2	420 984 555 402 7008	420 984 555 402 7008	420 984 555 402 7008
20	Plastic Clamp, Cables.....	1	1	1	420 960 610 402 4160	420 960 610 402 4160	420 960 610 402 4160
21	Lock Washer 5.....	5	5	5	420 945 750 402 4024	420 945 750 402 4024	420 945 750 402 4024
22	Cyl. Screw M5 x 22.....	6	6	6	420 240 978 402 7004	420 240 978 402 7004	420 240 978 402 7004
23	Mass Cable Ass'y Yellow.....	1	1	1	420 864 280 402 4153	420 864 280 402 4153	420 864 280 402 4153
24	Protection Cap.....	2	2	2	420 960 550 402 7003	420 960 550 402 7003	420 960 550 402 7003
25	Ignition Cable 145MM.....	2	2	2	420 864 290 402 4154	420 864 290 402 4154	420 864 290 402 4154
26	N Protection Cap.....		2		420 960 555		
26	Protection Cap.....	2	2	2	420 960 550 402 7003	420 960 550 402 7003	
27	N Spark Plug Protector.....		2		420 983 407		
27A	Spark Plug Protector.....	2	2	2	420 864 430 402 4243	420 864 430 402 4243	420 864 430 402 4243
	Clamp.....	2	2	2	420 864 440 402 4244	420 864 440 402 4244	420 864 440 402 4244
27B	N Spark Plug Nut.....		2		420 842 260		
28	N Spark Plug W260 MZ1 (Equivalent of W260T1).....		2		420 899 181	420 899 180 402 4175	420 899 180 402 4175
28	Spark Plug W240T1.....	2		2	420 899 120 402 4145	420 899 120 402 4145	420 899 120 402 4145
29	N Armature Plate Alone.....		1		420 865 355		
29	Armature Plate Alone.....	1	1	1	420 865 350 402 4416	420 865 350 402 4416	420 865 060 402 4350
30	N Lighting Coil W2 Cables.....		1		420 865 725		
30	Lighting Coil W2 Cables.....				420 865 035 402 4351	420 865 035 402 4351	420 865 035 402 4351
31	N Generator Coil.....		1		420 865 750		
31	Generator Coil.....	1	1	1	420 865 055 402 4408	420 865 055 402 4408	420 865 050 402 4346
32	Faston Connector.....	2	2	2	420 864 011 402 4176	420 864 011 402 4176	420 864 011 402 4176
33	Condenser Without Cable.....		2		420 865 550 402 4451		
33	Condenser Without Cable.....	2	2	2	420 965 910 402 4068	420 965 910 402 4068	420 965 910 402 4068
34	N Contact Breaker Set.....		2		420 983 347		
34	Contact Breaker Set.....	2	2	2	420 983 341 402 4050	420 983 341 402 4050	420 983 341 402 4050
35	N Parts Set.....		1		420 964 212		
35	Parts Set.....	1	1	1	420 964 210 402 7016	420 964 210 402 7016	420 964 210 402 7016
36	Generator Cable Ass'y Blue-Black 400-100MM.....	1	1	1	420 864 976 402 4359	420 864 976 402 4359	420 864 976 402 4359
36	Generator Cable Ass'y Blue/Red-Black 570-65MM.....	1	1	1	420 864 977 402 4360	420 864 977 402 4360	420 864 977 402 4360
37	Rubber Cap.....	2	2	2	420 960 590 402 4159	420 960 590 402 4159	420 960 590 402 4159
38	Faston Connector.....	2	2	2	420 864 261 402 4177	420 864 261 402 4177	420 864 261 402 4177
39	Shorting Cable Blue (520MM W Conn.).....		1		420 864 978 402 4361		

MAGNETO GENERATOR 12V/100W FOR 343 IN 74
338 in 74-73 Only—12V/75W/23W (338-343-401)

1974

ITEM NO.	DESCRIPTION	QUANTITY			PART NO.		
		338	343	401	1974	1973	1972
39	Shorting Cable Blue (315MM W Conn.).....	1	1	1	420 865 210 402 4355	420 865 210 402 4355	420 865 210 402 4355
40	Shorting Cable Black (485MM W Conn.).....		1		420 864 611 402 4308		
40	Shorting Cable Black (390MM W Conn.).....	1	1	1	420 864 613 402 4353	420 864 613 402 4353	420 864 613 402 4353
41	Lubricating Wick.....	1	1	1	420 265 815 402 4116	420 265 815 402 4116	420 265 815 402 4116
42	Washer 5,3.....	2	2	2	420 927 570 402 4133	420 927 570 402 4133	420 927 570 402 4133
43	Lock Washer 5.....	2	2	2	420 945 750 402 4024	420 945 750 402 4024	420 945 750 402 4024
44	Cyl. Screw M5 x 18W INT Hex.....	2	2	2	420 840 515 402 4241	420 840 515 402 4241	420 840 515 402 4241
45	Connector (Except For 343 In 74).....	1	1	1	420 864 950 402 4349	420 864 950 402 4349	420 864 950 402 4349
46	Lock Washer 5.....	4		4			420 945 750 402 4024
47	Cyl. Screw M5 x 28.....	2		2			420 240 975 402 4048
48	Cyl. Screw M5 x 20.....	2		2			420 840 351 402 2229
48	Cyl. Screw M5 x 32.....	2	2	2	420 241 415 402 2538	420 241 415 402 2538	
49	Cable Condenser.....	2	2	2	420 964 695 402 4164	420 964 695 402 4164	420 964 695 402 4164
50	Pivot Pin Contact Breaker.....	2	2	2	420 240 669 402 4049	420 240 669 402 4049	420 240 669 402 4049
51	Brake Light Coil W/Cable Green.....	1	1	1	420 865 345 402 4406	420 865 345 402 4406	

**MAGNETO GENERATOR,
in 74, 434 Only**



ITEM NO.	DESCRIPTION	QUANTITY		PART NO.		
		434	435	1974	1973	1972
1-46	Magneto Generator 12V 75/23W (Olym.-Alp.-Val.-Tnt.)	1	1	420 992 572 402 4441	420 992 572 402 4441	420 992 322 402 4348
1-46	Magneto Generator 12V 100/23W (El. Te.).....	1		420 992 577 402 4454	420 992 577 402 4454	
2-46	Armature Plate Ass'y (Olym.-Alp.-Val.-Tnt.).....	1	1	420 992 592 402 4442	420 992 592 402 4442	420 992 332 402 4345
2-46	Armature Plate Ass'y (Elite)	1		420 992 597 402 4455	420 992 597 402 4455	
3	Magneto Ring.....	1	1	420 983 864 402 4167	420 983 864 402 4167	420 983 864 402 4167
4	Lock Washer 6	4	4	420 945 751 402 0015	420 945 751 402 0015	420 945 751 402 0015
5	Cyl. Screw W/Int. Hex. M6 x 11.5.....	4	4	420 840 370 402 4148	420 840 370 402 4148	420 840 370 402 4148
6	Magneto Housing	1	1	420 864 200 402 4149	420 864 200 402 4149	420 864 200 402 4149
7	Spring, Centrifugal Weight	1	1	420 938 400 402 4096	420 938 900 402 4096	420 938 400 402 4096
8	Centrifugal Weight.....	1	1	420 964 947 402 4410	420 964 947 402 4410	420 964 944 402 0146
9	Centrifugal Weight.....	1	1	420 941 365 402 4118	420 941 365 402 4118	420 941 365 402 4118

**MAGNETO GENERATOR
in 74, 434 Only**

1974

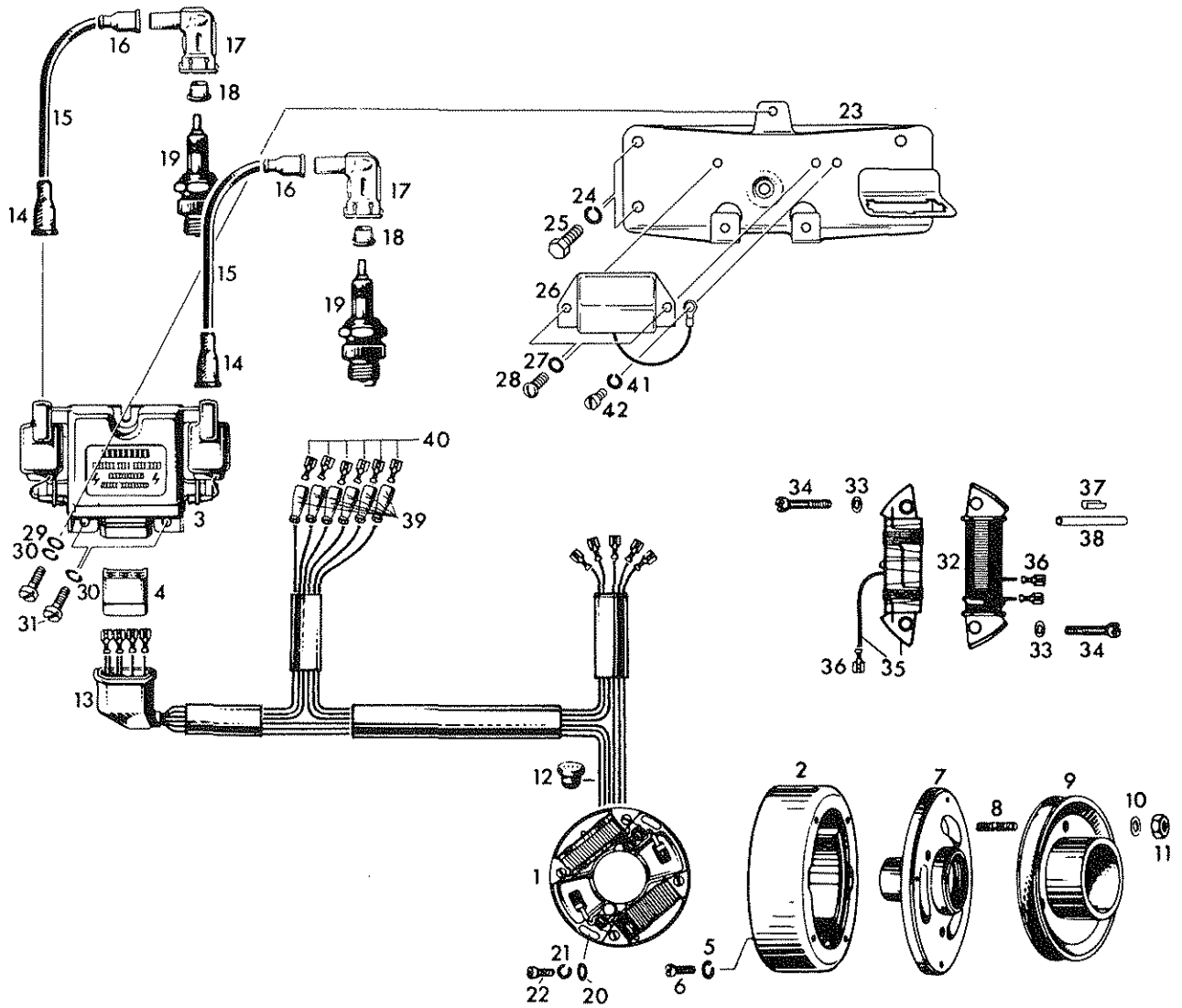
ITEM NO.	DESCRIPTION	QUANTITY		PART NO.		
		434	435	1974	1973	1972
10	Stud M8 x 15.....	3	3	420 840 330	420 840 330	420 840 330
11	V-Belt Pulley.....	1	1	402 5050 420 980 410	402 5050 420 980 410	402 5050 420 980 410
12	Locking Ring.....	3	3	402 0162 420 845 085	402 0162 420 845 085	402 0162 420 845 085
13	Hex. Nut M8.....	3	3	402 1311 420 942 670	402 1311 420 942 670	402 1311 420 942 670
14	Cable Grommet.....	1	1	402 0134 420 960 280	402 0134 420 960 280	402 0134 420 960 570
15	Coil Mounting Flange.....	1	1	402 4407 420 953 825	402 4407 420 953 825	402 4122 420 953 825
16	Lock Washer 6.....	2	2	402 4350 420 945 751	402 4350 420 945 751	402 4350 420 945 751
17	Hex. Screw M x 16.....	2	2	402 0015 420 241 186	402 0015 420 241 186	402 0015 420 241 186
18	Ignition Coil.....	2	2	402 4127 420 984 555	402 4127 420 984 555	402 4127 420 984 555
19	Lock Washer 5.....	8	8	402 7008 420 945 750	402 7008 420 945 750	402 7008 420 945 750
20	Cyl. Screw Mé x 20.....	8	8	402 4024 420 840 351	402 4024 420 840 351	402 4024 420 840 351
21	Mass. Cable Ass'y Yellow.....	1	1	402 2229 420 864 280	402 2229 420 864 280	402 2229 420 864 280
22	Protection Cap.....	4	4	402 4153 420 960 550	402 4153 420 960 550	402 4153 420 960 550
23	Ignition Cable 36077.....	2	2	402 7003 420 864 695	402 7003 420 864 695	402 7003 420 965 521
24	Rubber Sleeve 40 MM.....		2	402 4248 420 030 962	402 4248 420 830 962	402 4248 420 830 962
25	Clamp, Spark Plug Protector, All Except Elite.....	2	2	402 4292 420 864 440	402 4292 420 864 440	402 4292 420 864 440
26	Cap, Spark Plug Protection, All Except Elite.....	2	2	402 4244 420 864 430	402 4244 420 864 430	420 950 550 402 4243
	Spark Plug Protector, Elite Only.....	2		402 4243 420 983 400	402 4243 420 983 400	402 4076
	Sealing Sleeve, Elite Only.....	2		402 4453 420 960 780	402 4453 420 960 780	
27	Spark Plug M240 T 1.....	2		402 4452 420 999 880	402 4452 420 999 880	420 999 880
27	Spark Plug M280 T 31.....		2	402 4079 420 999 230	402 4079 420 999 230	402 4079 420 999 230
28	Armature Plate Alone.....	1	1	402 4080 420 865 350	402 4080 420 865 350	402 4080 420 865 060
29	Lighting Coil W/Cables, All Except Elite.....	1	1	402 4416 420 865 035	402 4416 420 865 035	402 4352 420 865 035
29	Lighting Coil W/Cables, Elite.....	1		402 4351 420 865 535	402 4351 420 865 535	402 4351
30	Faston Connector.....	3	3	402 4449 420 864 011	402 4449 420 864 011	420 864 011
31	Cyl. Screw M5 x 25, All Except Elite (M5 x 28 in 72).....	2	2	402 4176 420 640 095	402 4176 420 640 095	402 4176 420 240 975
31	Cyl. Screw M5 x 28, Elite.....	2		402 4413 420 840 970	402 4413 420 840 970	402 4048
	Lock Washer 5.....	4	4	402 4448 420 945 750	402 4448 420 945 750	420 945 750
32	Generator Coil.....	1	1	402 4024 420 865 055	402 4024 420 865 055	402 4024 420 865 050
33	Brake Light Coil W/Cables, All Except Elite.....	1	1	402 4408 420 865 345	402 4408 420 865 345	402 4346
33	Brake Light Coil W/Cables Elite.....	1		402 4406 420 865 545	402 4406 420 865 545	
34	Cyl. Screw M5 x 32 (M5 x 20 in 72).....	2	2	402 4450 420 241 415	402 4450 420 241 415	420 840 351
35	Condenser W/Out Cable, All Except Elite.....	2	2	402 2538 420 965 910	402 2538 420 965 910	402 2229 420 965 910
35	Condenser W/Out Cable, Elite.....	2		402 4068 420 865 550	402 4068 420 865 550	402 4068
36	Cable Condenser.....	2	2	402 4451 420 964 695	402 4451 420 964 695	420 964 695
37	Pivot Pin, Contact Breaker.....	2	2	402 4164 420 240 669	402 4164 420 240 669	402 4164 420 240 669
38	Contact Breaker Set.....	2	2	402 4049 420 983 346	402 4049 420 983 346	402 4049 420 983 346
39	Parts Set.....	2	2	402 4050 420 964 210	402 4050 420 964 210	402 4050 420 964 210
40	Generator Cable Ass'y, Blue/Black 200-100 MM.....	1	1	402 7016 420 964 157	402 7016 420 964 157	420 7016 420 964 157
40	Generator Cable Ass'y Blue/Red—Black 415-65 MM.....	1	1	402 4293 420 864 978	402 4293 420 864 978	402 4293 420 864 978
				402 4361 420 4361	402 4361 420 4361	402 4361

MAGNETO GENERATOR
in 74, 434 Only, For III. See Previous Page

ITEM NO.	DESCRIPTION	QUANTITY		PART NO.		
		434	435	1974	1973	1972
41	Rubber Cap	2	2	420 960 590 402 4159	420 960 590 402 4159	420 960 590 402 4159
42	Faston Connector	2	2	420 864 261 402 4177	420 864 261 402 4177	420 864 261 402 4177
43	Shorting Cable, Blue 520 MM. W/Conn.....	1	1	420 865 211 402 4362	420 865 211 402 4362	420 865 211 402 4362
44	Shorting Cable, Black 650 MM. W/Conn.....	1	1	420 864 614 402 4354	420 864 614 402 4354	420 864 614 402 4354
45	Lubricating Wick	1	1	420 265 815 402 4116	420 265 815 402 4116	420 265 815 402 4116
46	Rubber Sleeve 55 MM.....	3	3	420 960 167 402 0168	420 960 167 402 0168	420 960 167 402 4297
47	Washer 5.3	2	2	420 927 570 402 4133	420 927 570 402 4133	420 927 570 402 4133
48	Lock Washer 5	2	2	420 945 750 402 4024	420 945 750 402 4024	420 945 750 402 4024
49	Cyl. Screw W/Int. Hex. M5 x 18.....	2	2	420 840 515 402 4241	420 840 515 402 4241	420 840 515 402 4241
50	Connector.....	1	1	420 864 950 402 4349	420 864 950 402 4349	420 864 950 402 4349

MAGNETO GENERATOR 12V 75W MAGNETO HOUSING For Nordic 1974 Only

1974



ITEM NO.	DESCRIPTION	QUANTITY	PART NO.			
			NORDIC	1974	1973	1972
1	N Magneto Generator Ass'y	1		420 993 251		
1	N Armature Ass'y	1		420 993 261		
2	Magneto Ring	1		420 983 864		
				402 4167		
3	Electronic Box	1		420 993 630		
				402 4424		
4	Connector Housing	1		420 865 450		
				4024460		
5	Lock Washer 6	4		420 945 751		
				402 0015		
6	Cyl. Screw W INT Hex. M6 x 11.5	4		420 840 370		
				402 4148		
7	N Magneto Housing Ass'y	1		420 865 635		
8	Stud M8 x 15	3		420 840 330		
				402 5050		
9	V-Belt Pulley	1		420 980 410		
				402 0162		
10	Locking Washer 8	3		420 845 085		
				402 1311		
11	Hex. Nut M8	3		420 942 670		
				402 0134		
12	Cable Grommet	1		420 960 280		
				402 4407		
13	Protection Cap	1		420 960 790		
				402 4466		
14	Protection Cap	2		420 960 550		
				402 7003		

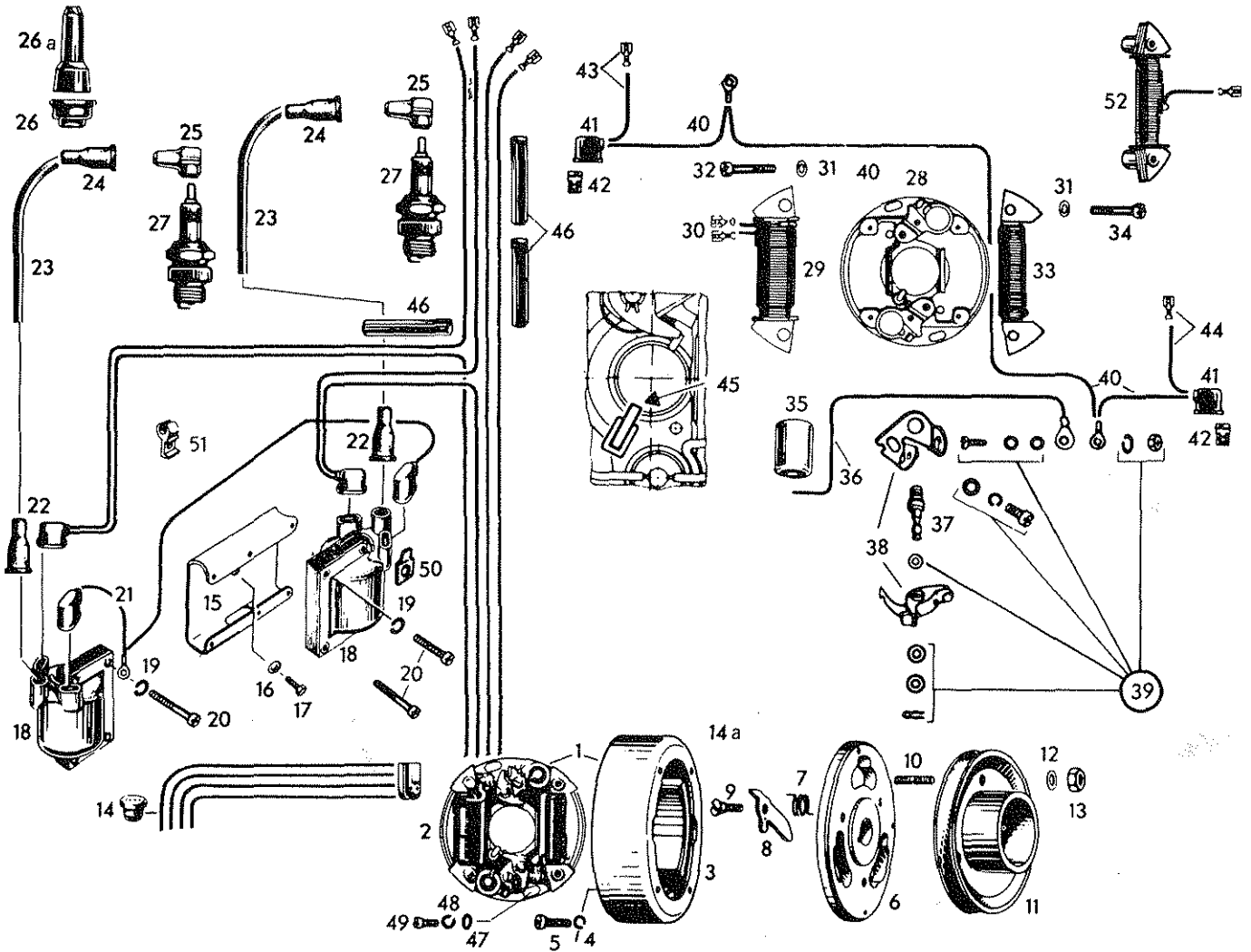
MAGNETO GENERATOR 12V 75W MAGNETO HOUSING

For Nordic 1974 Only

ITEM NO.	DESCRIPTION	QUANTITY		PART NO.		
		NORDIC	1974	1973	1972	
15	Ignition Cable 410MM.....	2	420 864 030 402 7007			
16	N Protection Cap.....	2	420 960 555			
17	N Spark Plug Protector.....	2	420 983 402			
18	Sealing Sleeve.....	2	420 960 780 402 4452			
19	Spark Plug M225t1.....	2	402 999141 402 4077			
20	Washer 5.3.....	2	420 927 570 402 4133			
21	Lock Washer 5.....	2	420 945 750 402 4024			
22	Cyl. Screw M5 x 18.....	2	420 840 515 402 4241			
23	N Bracket.....	1	420 853 315			
24	Lock Washer 6.....	5	420 945 751 402 0015			
25	Hex. Screw M6 x 14.....	5	420 240 911 402 5011			
26	N Switch Box Ass'y.....	1	420 865 685			
27	Washer 5.3.....	2	420 244 542 402 4022			
28	Flat Head Screw M5 x 10.....	2	420 940 601 402 0056			
29	Washer 6.4.....	1	420 244 211 402 4129			
30	Lock Washer 6.....	3	420 945 751 402 0015			
31	N Cyl. Screw M6 x 12.....	3	420 941 576			
32	N Lighting Coil W. Cable.....	1	420 865 725			
33	Lock Washer 5.....	4	420 945 750 402 4024			
34	Cyl. Screw M5 x 30.....	4	420 241 591 402 0233			
35	Charging Coil W Cable.....	1	420 865 605 402 4463			
36	Faston Connector 6.3.....	9	420 864 011 402 4176			
37	N Cable Terminal.....	6	420 264 530			
38	N Protection Hose 25MM. Cables.....	6	420 260 411			
39	N Protection Sleeve, Transparent.....	4	420 960 710			
40	N Protection Sleeve, Yellow.....	2	420 960 715			
41	N Faston Connector 4.8.....	6	420 864 550			
41	Lock Washer 5.....	1	420 945 750 402 4024			
42	Cyl. Screw M5 x 6.....	1	420 940 991 402 2521			

MAGNETO GENERATOR 12V 75W For Nordic 73-72 Only

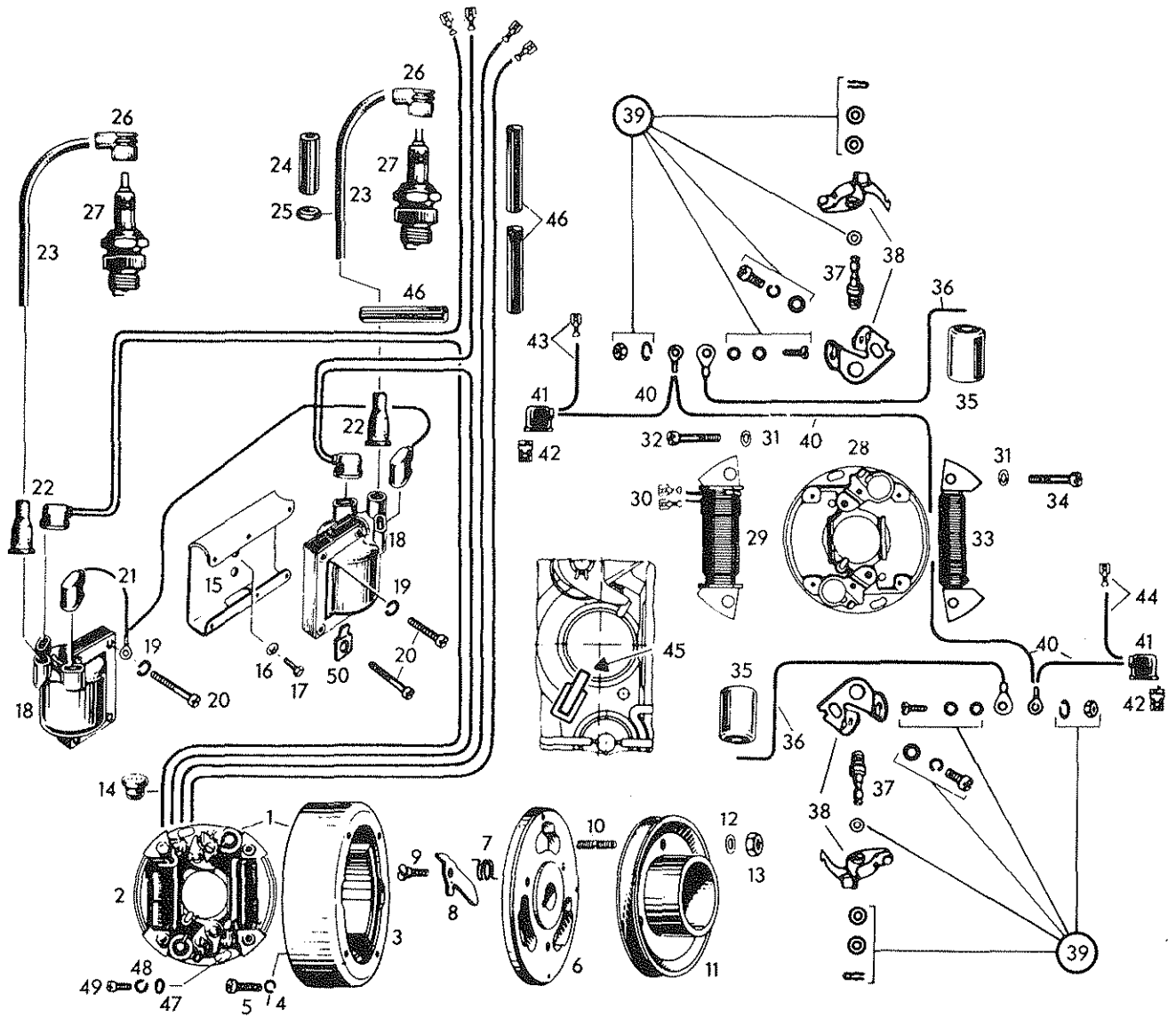
1974



ITEM NO.	DESCRIPTION	QUANTITY		PART NO.		
		Nor.	Alp.	1974	1973	1972
1-46	Magneto Generator Ass'y 12V 120W.....	1	1	420 992 342 402 4419	420 992 342 402 4419	420 992 341 402 4365
2-46	Armature Plate Ass'y.....	1	1	420 992 352 402 4420	420 992 352 402 4420	420 992 351 402 4366
3	Magneto Ring.....	1	1	420 983 864 402 4167	420 983 864 402 4167	420 983 864 402 4167
4	Lock Washer 6.....	4	4	420 945 751 402 0015	420 945 751 402 0015	420 945 751 402 0015
5	Cyl. Screw W. Int. Hex. M6 x 11.5.....	4	4	420 840 370 402 4148	420 840 370 402 4148	420 840 370 402 4148
6	Magneto Housing.....	1	1	420 864 200 402 4149	420 864 200 402 4149	420 864 200 402 4149
7	Spring Centrifugal Weight.....	1	1	420 938 400 402 4096	420 938 400 402 4096	420 938 400 402 4096
8	Centrifugal Weight.....	1	1	964 649 944 402 0146	420 964 944 402 0146	420 964 944 402 0146
9	Bearing Screw, Centrifugal Weight.....	1	1	420 941 365 402 4118	420 941 365 402 4118	420 941 365 402 4118
10	Stud M8 x 15.....	3	3	420 840 330 402 5050	420 840 330 402 5050	420 840 330 402 5050
11	V-Belt Pulley.....	1	1	420 980 410 402 0162	420 980 410 402 0162	420 980 410 402 0162
12	Locking Ring.....	3	3	420 845 085 402 1311	420 845 085 402 1311	420 845 085 402 1311
13	Hex. Nut M8.....	3	3	420 942 670 402 0134	420 942 670 402 0134	420 942 670 402 0134
14	Cable Grommet.....	1	1	420 960 570 402 4122	420 960 570 402 4122	420 960 570 402 4122
14A	Cable Grommet.....	1	1			420 960 580 402 4158

MAGNETO GENERATOR 12V 75W
For Nordic 73-72 Only—PND 640

ITEM NO.	DESCRIPTION	QUANTITY		PART NO.		
		Nor.	Alp.	1974	1973	1972
15	Coil Mounting Flange	1	1	420 953 825 402 4350	420 953 825 402 4350	
16	Lock Washer 6	2	2	420 945 751 402 0015	420 945 751 402 0015	
16	Lock Washer 5	1	1			420 945 750 402 4024
17	Hex. Screw M6 x 16	2	2	420 241 186 402 4127	420 241 186 402 4127	
17	Hex. Screw M5 x 12	1	1			420 240 561 402 0175
18	Ignition Coil.....	2	2	420 984 555 402 7008	420 984 555 402 7008	420 984 555 402 7008
19	Lock Washer 5	6	6	420 945 750 402 4024	420 945 750 402 4024	420 945 750 402 4024
20	Cyl. Screw M5 x 20	6	6	420 840 351 402 2229	420 840 351 402 2229	420 840 351 402 2229
21	Mass Cable Ass'y Yellow	1	1	420 864 280 402 4153	420 864 280 402 4153	420 864 280 402 4153
22	Protection Cap.....	2	2	420 960 550 402 7003	420 960 550 402 7003	420 960 550 402 7003
23	Ignition Cable 410 MM.	2	2	420 864 030 402 7007	420 864 030 402 7007	420 964 180 402 4075
24	Protection Cap.....	2	2	420 960 550 402 7003	420 960 550 402 7003	420 960 550 402 7003
25	Clamp Spark Plug Protector.....	2	2	420 864 440 402 4244	420 864 440 402 4244	
26	Protection Cap.....	2	2			420 960 630 402 4182
26A	Spark Plug Protection.....	2	2			420 985 470 402 7071
27	Spark Plug M280 T31.....	2	2	420 999 230 402 4080	420 999 230 402 4080	420 999 230 402 4080
28	Armature Plate Alone	1	1	420 865 060 402 4352	420 865 060 402 4352	420 865 060 402 4352
29	Ligthing Coil With 2 Cables Yel./Gr./Bl.....	2	2	420 865 045 402 4341	420 865 045 402 4341	420 865 045 402 4341
30	Faston Connector.....	2	2	420 864 011 402 4176	420 864 011 402 4176	420 864 011 402 4176
31	Lock Washer	4	4	420 945 750 402 4024	420 945 750 402 4024	420 945 750 402 4024
32	Cyl. Screw M5 x 28	2	2	420 240 975 402 4048	420 240 975 402 4048	420 240 975 402 4048
33	Generator Coil.....	1	1	420 865 050 402 4346	420 865 050 402 4346	420 865 050 402 4346
34	Cyl. Screw M5 x 20	2	2	420 840 351 402 2229	420 840 351 402 2229	420 840 351 402 2229
35	Condenser Without Cable	2	2	420 965 910 402 4068	420 965 910 402 4068	420 965 910 402 4068
36	Cable Condenser	2	2	420 964 695 402 4164	420 964 695 402 4164	420 964 695 402 4164
37	Pivot Pin Contact Breaker.....	2	2	420 240 669 402 4049	420 240 669 402 4049	420 240 669 402 4049
38	Contact Breaker Set.....	2	2	420 983 346 402 4050	420 983 346 402 4050	420 983 346 402 4050
39	Parts Set.....	2	2	420 964 210 402 7016	420 964 210 402 7016	420 964 210 402 7016
40	Generator Cable Ass'y Blue-Black 225-100MM.....	1	1	420 964 158 402 4328	420 964 158 402 4328	420 864 976 402 4359
40	Generator Cable Ass'y Blue/Red-Black 415-65MM.....	1	1	420 864 978 402 4361	420 864 978 402 4361	420 864 977 402 4360
41	Rubber Cap	2	2	420 960 590 402 4159	420 960 590 402 4159	420 960 590 402 4159
42	Faston Connector.....	2	2	420 864 261 402 4177	420 864 261 402 4177	420 864 261 402 4177
43	Shorting Cable, Blue 520MM W Conn.	1	1	420 865 211 402 4362	420 865 211 402 4362	420 864 613 402 4353
44	Shorting Cable, Black 585MM W Conn.....	1	1	420 865 220 402 4363	420 865 220 402 4363	420 865 210 402 4355
45	Lubricating Wick.....	1	1	420 265 815 402 4116	420 265 815 402 4116	420 265 815 402 4116
46	Rubber Sleeve 55MM.....	3	3	420 960 167 402 4297	420 960 167 402 4297	420 960 167 402 4297
47	Washer 5,3	2	2	420 927 570 402 4133	420 927 570 402 4123	420 927 570 402 4123
48	Lock Washer 5	2	2	420 945 750 402 4024	420 945 750 402 4024	420 945 750 402 4024
49	Cyl. Screw W. Int. Hex. M5 x 18.....	2	2	420 840 515 402 4241	420 840 515 402 4241	420 840 515 402 4241
50	Connector.....	1	1	420 864 950 402 4349	420 864 950 402 4349	420 864 950 402 4349

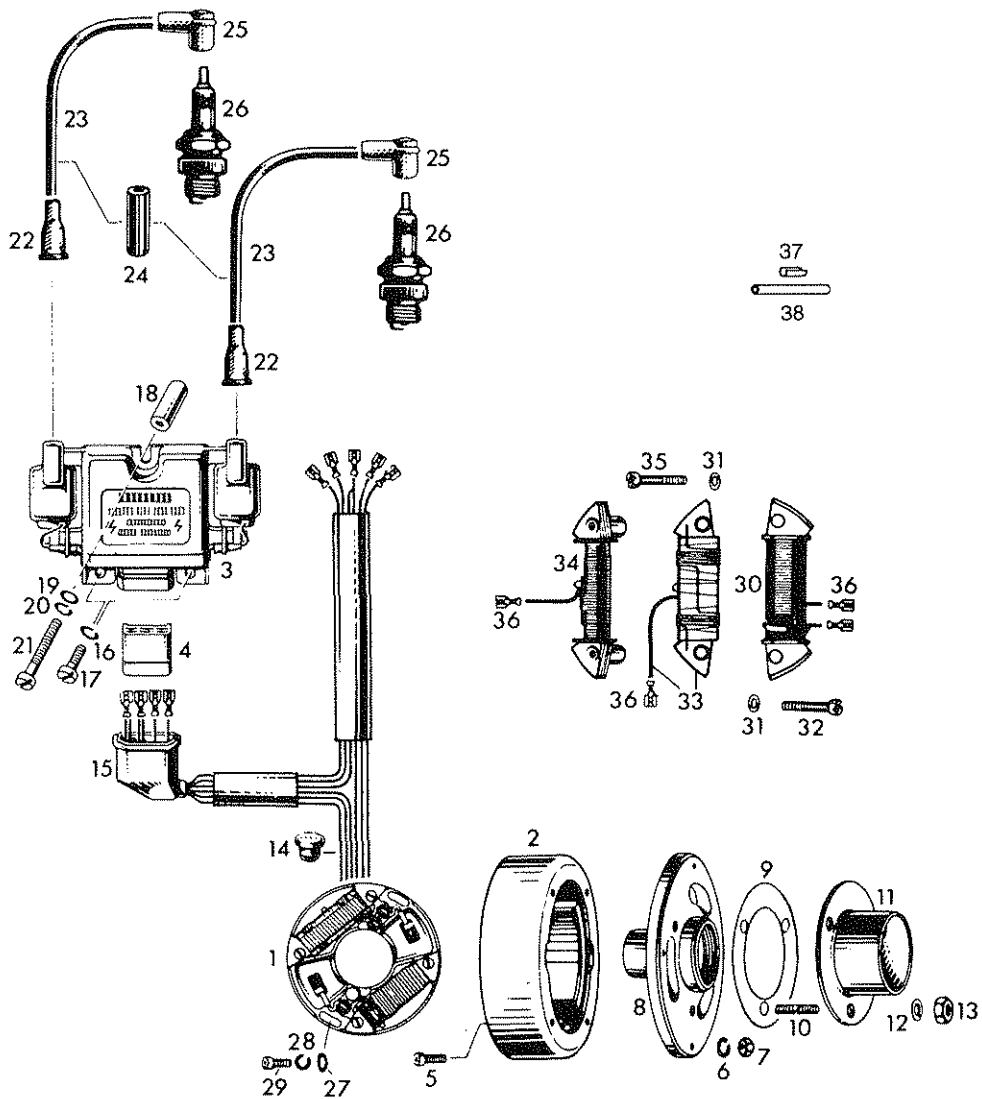


ITEM NO.	DESCRIPTION	QUANTITY		PART NO.	
		641	775		1972
1-46	Magneto Generator Ass'y.....	1	1		402 992 323 402 4367
2-46	Armature Plate Ass'y.....	1	1		420 992 333 402 4368
3	Magneto Ring.....	1	1		420 983 864 402 4167
4	Lock Washer 6.....	4	4		420 945 751 402 0015
5	Cyl. Screw W/Int. Hex. M x 11.5.....	4	4		420 840 370 402 4148
6	Magneto Housing.....	1	1		420 864 200 402 4149
7	Spring Centrifugal Weight.....	1	1		420 938 400 402 4096
8	Centrifugal Weight.....	1	1		420 964 944 402 0146
9	Bearing Screw, Centrifugal Weight.....	1	3		420 941 365 402 4118
10	Stud M8 x 15.....	3	1		420 840 330 402 5050
11	V-Belt Pulley.....	1	3		420 980 410 402 0162
12	Locking Ring.....	3			420 845 085 402 1311

ITEM NO.	DESCRIPTION	QUANTITY		PART NO.		
		641	775			1972
13	Hex. Nut M8	3	3			420 942 670
14	Cable Grommet.....	1	1			402 0134 420 960 570
15	Coil Mounting Flange	1	1			402 4122 420 953 825
16	Lock Washer 6	2	2			402 4350 420 945 751
17	Hex. Screw M6 x 16	2	2			402 0015 420 241 186
18	Ignition Coil.....	2	2			402 4127 420 984 555
19	Lock Washer 5	8	8			402 7008 420 945 750
20	Cyl. Screw M5 x 20	8	8			402 4024 420 840 351
21	Mass. Cable Ass'y Yellow	1	1			402 2229 402 864 280
22	Protection Cap.....	2	2			402 4153 420 960 550
23	Ignition Cable 315 MM.	2	2			402 7003 420 864 690
25	Rubber Ring	1	1			402 4247 420 830 450
26	Spark Plug Protection.....	2	2			402 0148 420 984 400
27	Spark Plug M280 T 31.....	2				402 4076 420 999 230
27	Spark Plug M310 T 315.....		2			402 4080 420 999 240
28	Armature Plate Alone	1	1			402 4081 420 865 060
29	Lighting Coil W/2 Cables Yel./Or.....	1	1			402 4358 420 865 035
30	Faston Connector.....	2	2			402 4351 420 864 011
31	Lock Washer 5	4	4			402 4176 420 945 750
32	Cyl. Screw M5 x 28	2	2			402 4024 420 240 975
33	Generator Coil.....	1	1			402 4048 420 865 050
34	Cyl. Screw M5 x 20	2	2			402 4346 420 840 351
35	Consender Without Cable	2	2			402 2229 420 965 910
36	Cable, Condenser	2	2			402 4068 420 964 695
37	Pivot Pin, Contact Breaker	2	2			402 4164 420 240 669
38	Contact Breaker Set.....	2	2			402 4049 420 983 341
39	Parts Set.....	2	2			402 4050 420 964 210
40	Generator Cable Ass'y Blue-Black 225-100 MM.....	1	1			402 7016 420 964 158
40	Generator Cable Ass'y Blue-Red-Black 415-65 MM.....	1	1			402 4328 420 864 978
41	Rubber Cap.....	2	2			402 4361 420 960 590
42	Faston Connector.....	2	2			402 4159 420 864 261
43	Shorting Cable, Blue 520 MM. W/Conn.....	1	1			402 4177 420 865 211
44	Shorting Cable, Black 585 MM. W/Conn.	1	1			402 4362 420 865 220
45	Lubricating Wick.....	1	1			402 4363 420 265 815
46	Rubber Sleeve 55 MM.....	3	3			402 4116 420 960 167
47	Washer 5.3.....	2	2			402 4297 420 927 570
48	Lock Washer 5	2	2			402 4133 420 945 750
49	Cyl. Screw M5 x 18 W/Int. Hex.	2	2			402 4024 420 840 515
50	Connector.....	1	1			402 4241 420 864 950
						402 4349

**MAGNETO GENERATOR 12V 100W, 12V 75/23W
in 73, 396 Only**

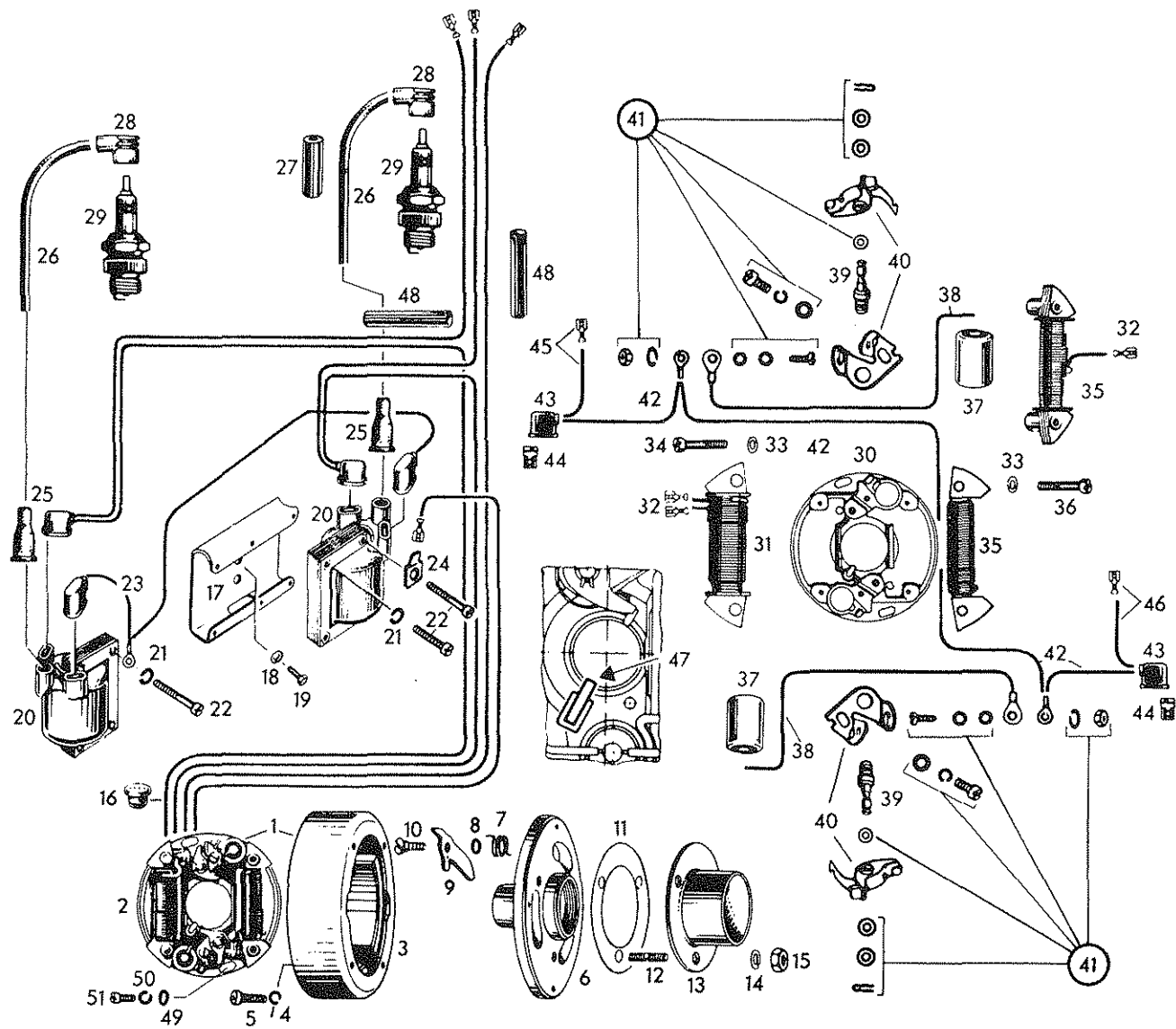
1974



ITEM NO.	DESCRIPTION	QUANTITY			PART NO.	
		346	396	436	1974	1973
1 to 3	N Magneto Generator 12V 100W	1	1	1	420 993 252	
1 to 4	Magneto Generator 12V 75/23W.....					420 993 011 402 4469
1	N Armature Plate Ass'y.....	1	1	1	420 993 262	420 993 021 402 4470
2	Magneto Ring.....	1	1	1	420 983 864 402 4167	420 983 864 402 4167
3	Electronic Box.....	1	1	1	420 993 030 402 4424	420 993 030 402 4424
4	Connector Housing	1	1	1	420 865 450 402 4460	420 865 450 402 4460
5	Cyl. Screw W/I'NT Hex. M6 x 22.....	4	4	4	420 840 400 402 4027	420 840 400 402 4027
6	Washer 6.2.....	4	4	4	420 927 945 402 4465	420 927 945 402 4465
7	Hex. Nut M6	4	4	4	420 242 210 402 2053	420 242 210 402 2053
8	N Magneto Housing.....	1	1	1	420 865 467	420 865 465 402 4461
9	Cover Washer.....	1	1	1	420 827 285 402 4457	420 827 285 402 4457
10	Stud M8 x 13.....	3	3	3	420 840 600 402 0212	420 840 600 402 0212
11	Starting Pulley.....	1	1	1	420 852 080 402 5070	420 852 080 402 5070

**MAGNETO GENERATOR 12V 100W, 12V 75/23W
in 73, 396 Only**

ITEM NO.	DESCRIPTION	QUANTITY			PART NO.	
		346	396	436	1974	1973
12	Lock Washer 8	3	3	3	420 945 752 402 0016	420 945 752 402 0016
13	Hex. Nut M8	3	3	3	420 242 201 402 0018	420 242 201 402 0018
14	Cable Grommet	1	1	1	420 960 280 402 4407	420 960 280 402 4407
15	Protection Cap	1	1	1	420 960 790 402 4466	420 960 790 402 4466
16	Lock Washer 6	2	2	2	420 945 751 402 0015	420 945 251 402 0015
17	Cyl. Screw M6 x 16	2	2	2	420 940 086 402 0124	420 940 086 402 0124
18	Distance Sleeve		1			420 847 050 402 4459
19	Washer 6.2	1	1	1	420 244 211 402 4129	420 244 211 402 4129
20	Lock Washer 6	1	2	1	420 945 751 402 0015	420 945 751 402 0015
21	Cyl. Screw M6 x 16 (M6 x 38 in 73)	1	1	1	420 940 086 402 0124	420 241 406 402 4456
22	Protection Cap	2	2	2	420 960 550 402 7003	420 960 550 402 7003
23	N Ignition Cable 360MM	2	2	2	420 865 711	420 864 695 402 4248
24	Rubber Sleeve	1	1	1	420 830 962 402 4292	420 830 962 402 4292
15	Spark Plug Protector	2	2	2	420 865 200 402 4383	420 865 200 402 4383
26	Spark Plug W280 MZ2 (Equivalent of W280M2)	2	2	2	420 899 570 402 4422	420 899 570 402 4422
27	Washer 5.3	2	2	2	420 927 570 402 4133	420 927 570 402 4133
28	Lock Washer 5	2	2	2	420 945 750 402 4024	420 945 750 402 4024
29	Cyl. Screw M5 x 18	2	2	2	420 840 515 402 4241	420 840 515 402 4241
30	N Lighting Coil W/Cables	1	1	1	420 865 725	420 865 035 402 4351
31	Lock Washer 5	4	4	4	420 945 750 402 4024	420 945 750 402 4024
32	Cyl. Screw M5 x 30 (M5 x 28 in 73)	2	2	2	420 241 591 402 0233	420 240 975 402 4048
33	Charging Coil W/Cable	1	1	1	420 865 805 402 4463	420 865 605 402 4463
34	Brake Light Coil W/Cable		1			420 865 615 402 4464
35	Cyl. Screw M5 x 30 (M5 x 35 in 73)	2	2	2	420 241 591 402 0233	402 841 011 402 4458
36	Faston Connector	9	9	9	420 864 011 402 4176	420 864 011 402 4176
37	N Cable Terminal	6	6	6	420 264 530	
38	Protection Hose 20MM	6	6	6	420 260 411	



ITEM NO.	DESCRIPTION	QUANTITY		PART NO.	
		346	398	1973	1972
1-48	Magneto Generator 12V 75/23W.....	1		420 992 574 402 4467	
1-48	Magneto Generator 12V 75W.....		1		420 992 324 402 4394
2-48	Armature Plate Ass'y.....	1	1	420 992 594 402 4468	420 992 334 402 4395
3	Magneto Ring.....	1	1	420 983 864 402 4167	420 983 864 402 4167
4	Washer 6.2.....	4		420 927 945 402 4465	
4	Lock Washer 6.....		4		420 945 751 402 0015
5	Cyl. Screw W/Int. Hex. M6 x 22.....	4		420 840 400 402 4027	
5	Cyl. Screw W/Int. Hex. M6 x 14.....		4		420 840 390 402 2208
5A	Hex. Nut M6.....	4		420 242 210 402 2053	
6	Magneto Housing.....	1	1	420 865 500 402 4462	420 865 190 402 4391
7	Spring, Centrifugal Weight.....		1		420 938 400 402 4096

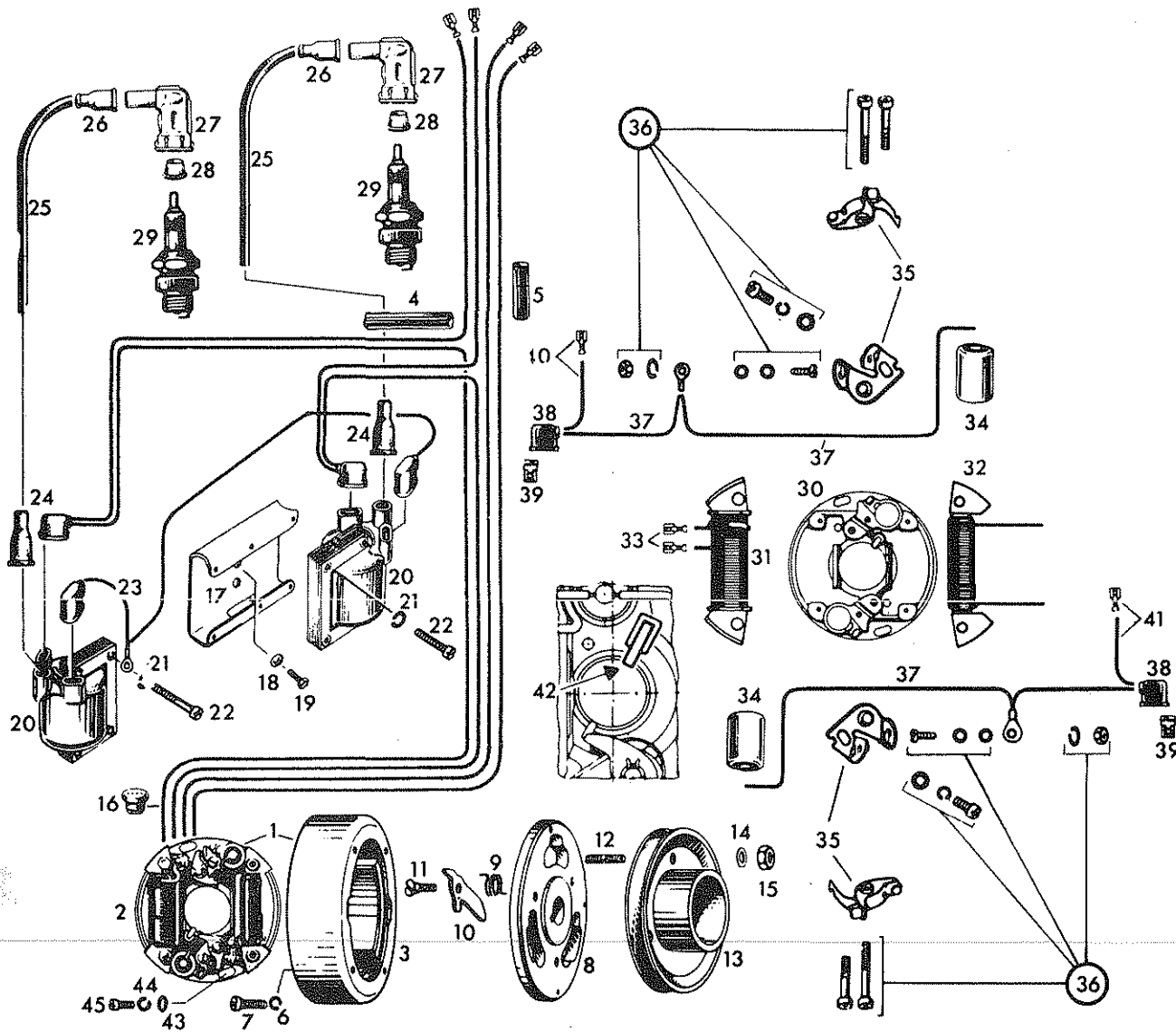
ITEM NO.	DESCRIPTION	QUANTITY		PART NO.	
		346	398	1973	1972
8	Washer, Bearing Screw		1		420 927 940 402 7001
9	Centrifugal Weight.....		1		420 964 944 402 0146
10	Bearing Screw M6 x 9.5		1		420 941 365 402 4118
11	Cover Washer	1	1	420 827 285	420 827 280 402 4457 402 7114
12	Stud M8 x 13	3	3	420 840 600	420 840 600 402 0212 402 0212
13	Starting Pulley	1	1	420 852 080	420 852 080 402 5070 402 5070
14	Lock Washer 8	3	3	420 945 752	420 945 752 402 0016 402 0016
15	Hex. Nut M8	3	3	420 242 201	420 942 670 402 0018 402 0134
16	Cable Grommet.....	1	1	420 960 280	420 960 570 402 4407 402 4122
17	Coil Houting Flange.....	1	1	420 953 825	420 953 825 402 4350 402 4350
18	Lock Washer 6	2	2	420 945 751	420 945 751 402 0015 402 0015
19	Hex. Screw M6 x 16	2	2	420 241 186	420 241 186 402 4127 402 4127
20	Ignition Coil	2	2	420 984 555	420 984 555 402 7008 402 7008
21	Lock Washer 5	6	6	420 945 750	420 945 750 402 4024 402 4024
22	Cyl. Screw M5 x 20	6	6	420 840 351	420 840 351 402 2229 402 2229
23	Mass Cable Ass'y Yellow	1	1	420 864 280	420 864 280 402 4153 402 4153
24	Connector.....	1	1	420 864 950	420 864 950 402 4349 402 4349
25	Protection Cap	2	2	420 960 550	420 960 550 402 7003 402 7003
26	Ignition Cable 360 MM	2	2	420 864 695	420 864 695 402 4248 402 4248
27	Rubber Cable 40 MM	1	1	420 830 962	420 830 962 402 4292 402 4292
28	Spark Plug Protection	2	2	420 865 200	420 865 200 402 4383 402 4383
29	Spark Plug W280 M2	2		420 899 570	402 4422
29	Spark Plug W310 R17.....		2		420 899 430 402 4375
30	Armature Plate Alone.....	1	1	420 865 350	420 865 060 402 4416 402 4352
31	Lighting Coil W/2 Cables Yel./Gr.	1	1	420 865 035	420 865 035 402 4351 402 4351
32	Faston Connector.....	3	2	420 864 011	420 864 011 402 4176 402 4176
33	Lock Washer		4		420 945 750 402 4024 402 4024
34	Cyl. Screw M5 x 25	2	2	420 640 095	420 240 975 402 4413 402 4048
35	Generator Coil.....	1	1	420 865 055	420 865 050 402 4408 402 4346
35A	Brake Light Coil W/Cable.....	1		420 865 345	402 4406
36	Cyl. Screw M5 x 32	2		420 241 415	402 2538
36	Cyl. Screw M5 x 20		2		420 840 351 402 2229 402 2229
37	Condenser W/Out Cable	2	2	420 965 910	420 965 910 402 4068 402 4068
38	Cable Condenser	2	2	420 964 695	420 964 695 402 4164 402 4164
39	Pivot Pin, Contact Breaker.....	2	2	420 240 669	420 240 669 402 4049 402 4049
40	Contact Breaker Set.....	2	2	420 983 341	420 983 341 402 4050 402 4050
41	Parts Set	2	2	420 964 210	420 964 210 402 7016 402 7016
42	Generator Cable Ass'y Blue/Black 400-100 mm.....	1		420 864 976	402 4359
42	Generator Cable Ass'y Blue/Black 200-100 mm.....		1		420 964 157 402 4293 402 4293
42	Generator Cable Ass'y Blue/Red/Black 415-65 mm.....	1	1	420 864 978	420 864 978 402 4361 402 4361

MAGNETO GENERATOR 12V 75/23W—12V 75W

1974

(For Illustration See Previous Page)

ITEM NO.	DESCRIPTION	QUANTITY		PART NO.	
		346	398	1973	1972
43	Rubber Cap.....	2	2	420 960 590	420 960 590
44	Faston Connector.....	2	2	402 4159	402 4159
45	Shorting Cable, Blue 315 mm. W/Conn.....	1		420 864 261	420 864 261
45	Shorting Cable, Blue 270 mm. W/Conn.....		1	402 4177	402 4177
46	Shorting Cable, Black 390 mm. W/Conn.....	1		420 865 210	
46	Shorting Cable, Black 350 mm. W/Conn.....		1	402 4355	420 865 212
47	Lubricating Wick.....	1	1	420 864 613	402 4392
48	Rubber Sleeve 55 mm.	2	2	402 4353	
49	Washer 5.3.....	2	2	420 865 221	402 4393
50	Lock Washer 5.....	2	2	420 265 815	420 265 815
51	Cyl. Screw M5 x 18 W/Int. Hex.....	2	2	402 4116	402 4116

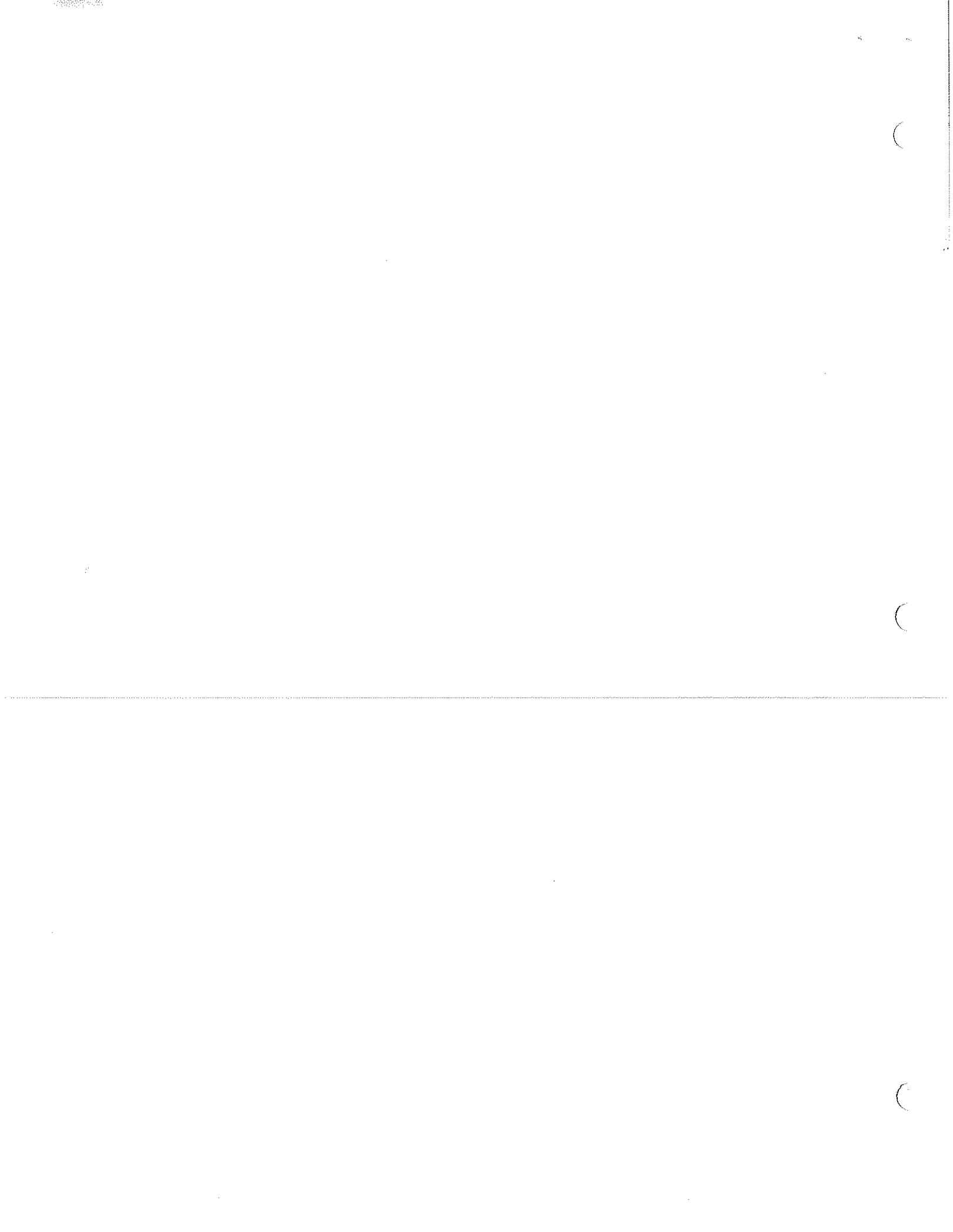


ITEM NO.	DESCRIPTION	QTY	PART NO.	
				1974
1-4-5	N Magneto Generator 12V 100W	1		420 993 232
2-4-5	N Armature Plate Ass'y	1		420 993 242
3	Magneto Ring	1		420 983 864 402 4167
4	Rubber Sleeve 55 mm	1		420 960 167 402 0168
5	Rubber Sleeve 30 mm	1		420 960 165 402 0059
6	Lock Washer 6	4		420 945 751 402 0015
7	Cyl. Screw W/Int. Hex. M6 x 11.5	4		420 840 370 402 4148
8	N Magneto Housing	1		420 865 760
9	Spring Centrifugal Weight	1		420 938 400 402 4096
10	Centrifugal Weight	1		420 964 947 402 4410
11	Bearing Screw, Centrifugal Weight	1		420 941 365 402 4118
12	Stud M8 x 15	3		420 840 330 402 5050

MAGNETO GENERATOR, MAGNETO HOUSING (440)

1974

ITEM NO.	DESCRIPTION	PART NO.			
		QTY			1974
13	V-Belt Pulley	1			420 480 410 402 0162
14	Locking Ring	3			420 845 085 402 1311
15	Hex. Nut M8	3			420 942 670 402 0134
16	Cable Grommet	1			420 960 570 402 4122
17	Coil Mounting Flange	1			420 953 825 402 4350
18	Lock Washer 6	2			420 945 751 402 0015
19	Hex. Screw M6 x 16	2			420 241 186 402 4127
20	Ignition Coil	2			420 984 555 402 7008
21	Lock Washer 5	8			420 945 750 402 4024
22	Cyl. Screw M5 x 20	8			420 840 351 402 2229
23	Mass. Cable Ass'y Yellow	1			420 864 280 402 4153
24	Protection Cap	4			420 960 550 402 7003
25	Ignition Cable 360 mm	2			420 864 695 402 4248
26	N Protection Cap	2			420 960 555
27	N Spark Plug Protection	2			420 983 402
28	Sealing Sleeve	2			420 960 780 402 4452
29	Spark Plug M260 T1	2			420 899 731 402 4340
30	N Armature Plate Alone	1			420 865 355
31	N Lighting Coil W/2 Cables	1			420 865 725
32	N Generator Coil	1			420 865 750
33	Faston Connector	2			420 864 404 402 4176
34	Condenser W/Out Cable	2			420 865 550 402 4451
35	N Contact Breaker Set	2			420 983 347
36	N Parts Set	1			420 964 212
37	Generator Cable Ass'y	1			420 864 976 402 4359
38	Blue-Black 400-100 mm	2			420 960 590 402 4159
39	Rubber Cap	2			420 864 261 402 4177
40	Faston Connector	2			420 865 212 402 4392
41	Shorting Cable Blue 270 mm W/Conn.	1			420 865 221 402 4393
42	Shorting Cable Black 350 mm W/Conn.	1			420 865 221 402 4393
43	Lubricating Wick	1			420 265 815 402 4116
44	Washer 5.3	2			420 927 570 402 4133
45	Lock Washer 5	2			420 945 750 402 4024
45	Cyl. Screw M5 x 18 W/Int. Hex.	2			420 840 515 402 4241



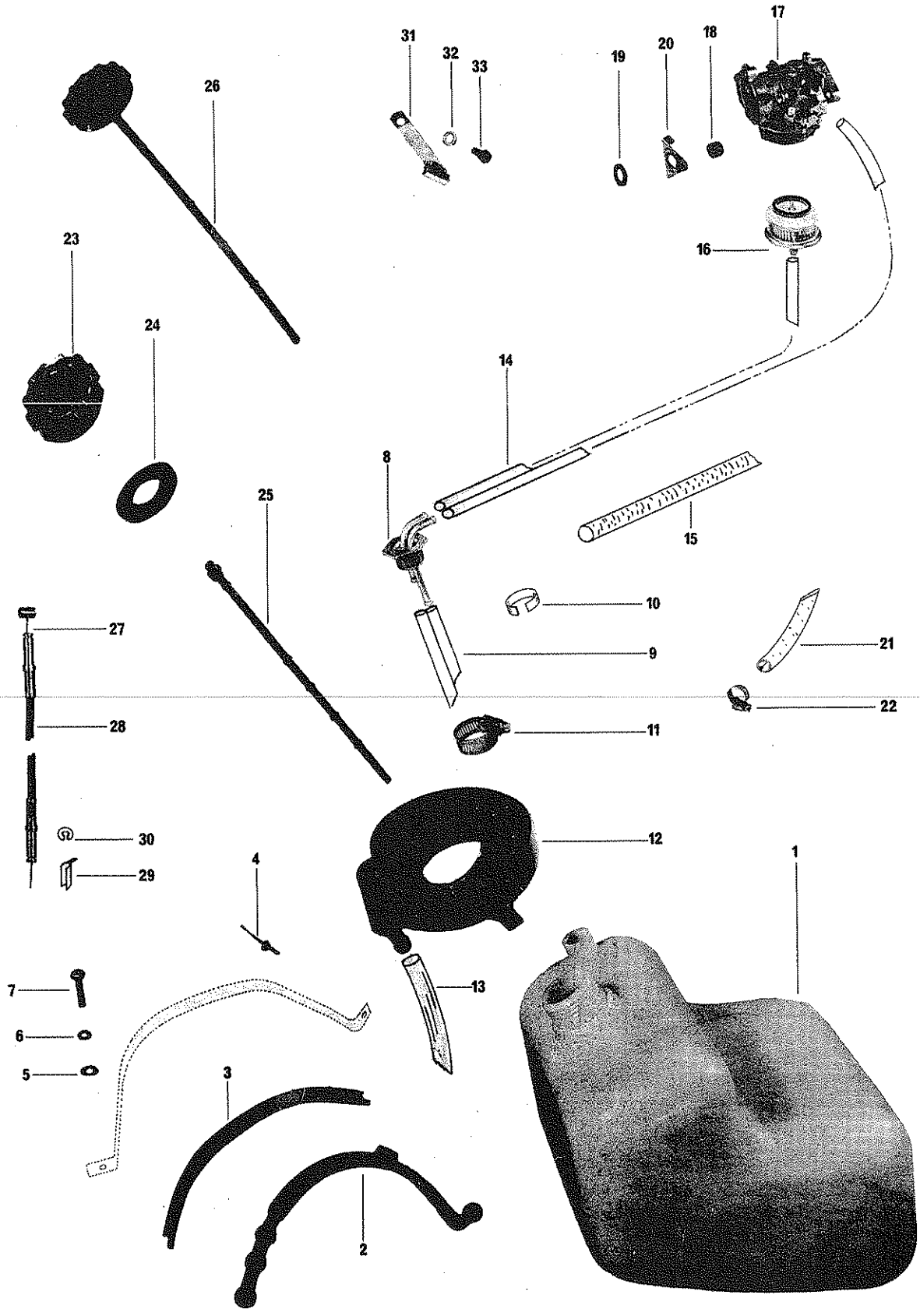
FUEL (ELAN)

292 (1 Cyl.) in 1972 Only 294 (2 Cyl.) in 1974 Only.

1974

ITEM NO.	DESCRIPTION	QUANTITY					PART NO.		
		247	248	249	292	294	1974	1973	1972
1	Fuel Tank	1	1	1	1	1	414 0784	414 0784	414 0784
2	Protector Strip	AR	AR	AR	AR	AR	414 1067	414 1067	414 1067
3	Retainer Strip	1	1	1	1	1	513 0094	513 0094	513 0094
4	Sheet Metal Screw	1	1	1	1	1	365 9006	362 1105	362 1105
5	Male Connector	1	1	1	1	1	414 1020	414 1020	414 1020
6	Fuel Line (Mult 12'')	AR	AR	AR	AR	AR	414 0511	414 0511	414 0511
7	Tube Air Vent (Mult 12'')	AR	AR	AR		AR	414 1245	414 1245	
8	Fitting Air Vent	1	1	1		1	414 1305	414 1305	
9	Speed Clip	1	1	1		1	414 1406	414 1406	
10	Fuel Line (Mult 12'')	AR	AR	AR	AR	AR	414 0130	414 0130	414 0130
11	Isolating Line (Mult. 12'')	AR	AR	AR	AR	AR	414 0178	414 0178	414 0178
12	Hose Tie	AR	AR	AR	AR	AR	114 0043	114 0043	114 0043
13	Fuel Filter	1			1	1	414 1227	414 1227	414 0964
14	Fuel Filter		1				414 1194	414 1227	
14	Fuel Filter			1			414 1194	414 1194	
15	"Y" Fitting			2				414 1553	
16	Carburator HR 133A	1					403 0044	403 0044	403 0020
16	N Carburator HR 155A (136A in 1973)		1				403 0060	403 0045	
16	N Carburator HR 155A (143A in 1973)			1			403 0060	403 0051	
16	Carburator HR 22B				1				403 0025
16	N Carburator HR 161A					1	403 0063		
17	Isolating Sleeve	2	2	2	2	2	404 0157	404 0157	404 0157
18	Washer (Fiber)	2	2	2	2	2	399 9070	399 9070	402 2072
19	Tab Lock	2	2	2		2	513 0148	513 0148	
20	Impulse Hose (Mult 12'')	AR	AR	AR		AR	414 1372	414 1372	
21	N Spring Clip	2	2	2		2	414 1980	414 0128	
21	N Clamp	1	1	1		1	414 1893		
22	Fuel Strainer Cover (249 in 1973 only)			2		2	404 0051	404 0051	
23	Screw (249 in 1973 only)			2		2	404 0052	404 0052	
24	Fuel Tank Cap	1	1	1	1	1	572 1317	572 1317	572 1308
25	Gasket	1	1	1		1	570 1310	570 1310	
	Polyfoam	1			1				414 1046
	Air Chamber	1			1				572 1311
	Screw	1			1				300 5080
26	N Throttle Cable	1	1		1		414 1908	414 1316	414 0261
26	Throttle Cable			1		1	414 0264	414 1373	
27	Cable Housing	1	1	1	1	1	414 1896	414 1313	414 1022
28	Circlip	1	1	1	1	1	371 9013	371 9013	371 9013
29	Cable Retainer	1							510 0027
30	Washer	1							399 8007
31	Screw	1							300 5000
32	Cable Protector	1	1	1	1	1	414 1359	414 1359	517 0348
33	Choke Rod			1		1		414 1454	
33	Throttle Rod			1		1		510 0030	

FUEL (OLYMPIQUE)

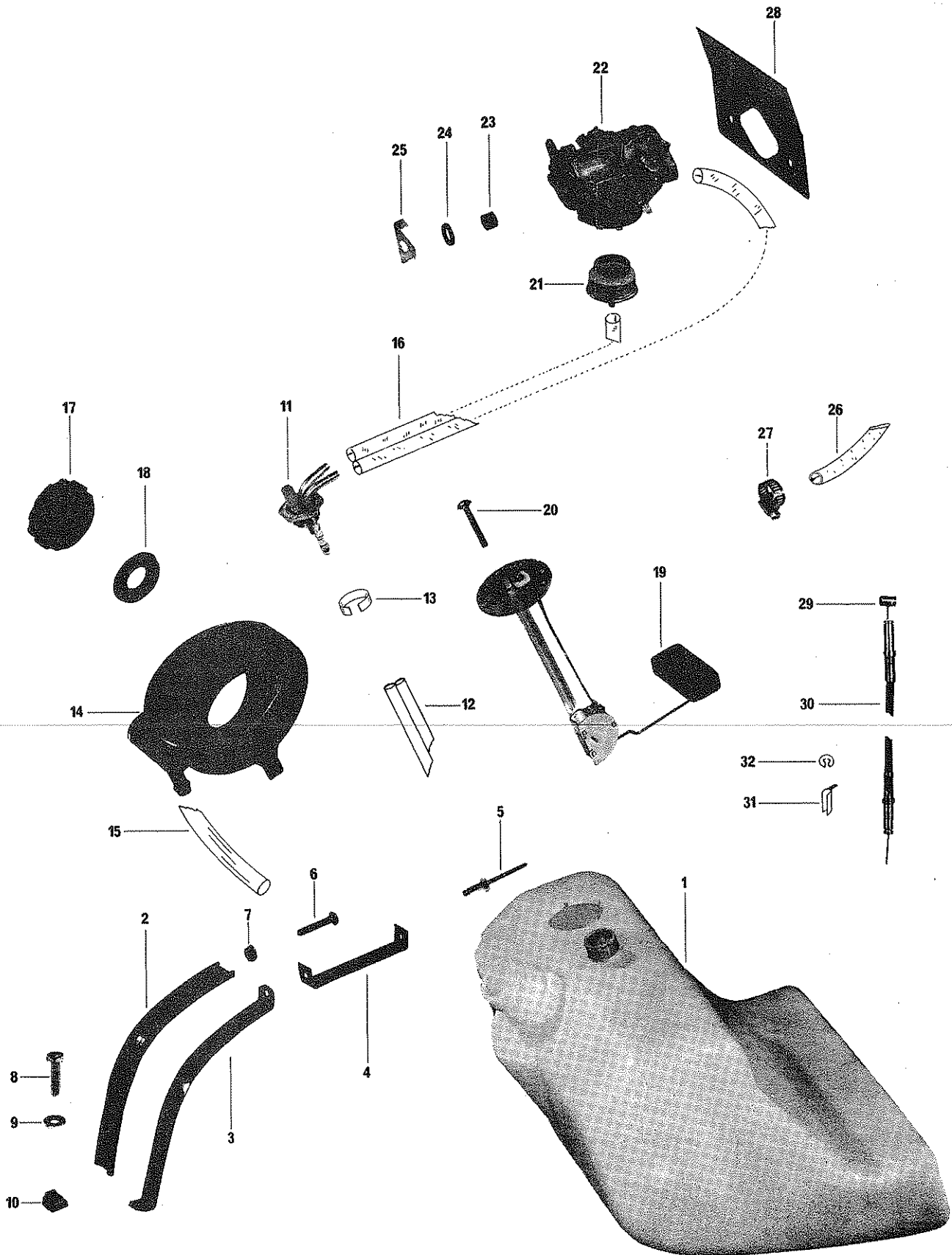


FUEL (OLYMPIQUE)
In 1974 - 302-338-401 Only

1974

ITEM NO.	DESCRIPTION	QUANTITY					PART NO.		
		302	337	338	401	434	1974	1973	1972
1	Fuel Tank	1	1	1	1	1	414 0770	414 0770	414 0770
2	Retainer Strip	2	2	2	2	2	570 1308	570 1308	513 0125
3	Protector Strip	2	2		2				414 1067
4	Rivet	2	2		2				390 4022
5	Washer	2	2		2				399 9015
6	Washer	2	2		2				399 8007
7	Screw	2	2		2				309 8055
8	Male Connector	1	1	1	1	1	414 1334	414 1334	414 1020
9	Fuel Line (Mult. 12")	AR	AR	AR	AR	AR	414 0511	414 0511	414 0511
10	Clip	1	1	1	1	1	414 1406	414 1406	
11	Gear Clamp	1	1		1				408 8004
12	Filler Neck Bib	1	1	1	1	1	572 1773	572 1773	572 1773
13	Fuel Line	1	1	1	1	1	414 0865	414 0865	414 0865
14	Fuel Line (Mult 12")	AR	AR	AR	AR	AR	414 0130	414 0130	414 0130
15	Isolating Line (Mult 12")	AR	AR	AR	AR	AR	414 0178	414 0178	414 0178
16	Fuel Filter	1	1	1	1	1	414 1227	414 1227	414 0964
17	Carburator HR 132A	1					403 0040	403 0040	403 0022
17	Carburator HR 75A		1					403 0023	403 0023
17	Carburator HR 131A			1			403 0041	403 0041	
17	Carburator HR 134A				1		403 0042	403 0042	403 0024
17	Carburator HR 135A					1		403 0043	
18	Isolating Sleeve	2	2	2	2	2	404 0157	404 0157	404 0157
19	Fiber Washer	2	2	2	2	2	399 9070	399 9070	
20	Tab Lock	2	2	2	2	2	513 0148	513 0148	
21	Impulse Hose (Mult 12")	AR	AR	AR	AR	AR	414 1372	414 1372	
22	Clamp	2					414 0128	414 0128	
22	Clamp			2	2	2	408 8013	414 0128	
23	Fuel Tank Cap	1	1		1				572 1308
24	Gasket	1	1	1	1	1	570 1310	570 1310	
	Polyfoam	1	1		1				414 1046
	Air Chamber	1	1		1				572 1311
25	Fuel Tank Gauge	1	1		1				572 1312
26	Fuel Tank Cap Ass'y	1	1	1	1	1	572 1319	572 1319	581 1083
27	Throttle Cable	1	1				414 0261	414 1373	414 0261
27	N Throttle Cable			1	1	1	414 1869	414 1455	414 1199
28	Cable Housing	1	1				414 1377	414 1377	414 1022
28	Cable Housing			1	1	1	414 1493	414 1493	414 1023
29	Cable Protector	1	1	1	1	1	414 1359	414 1359	517 0348
30	Circlip	1	1	1	1	1	371 9013	371 9013	371 9013
31	Throttle Cable Retainer	1	1						510 0027
31	Throttle Cable Retainer			1	1	1			510 0025
32	Washer	1	1	1	1	1			399 8007
33	Screw	1	1	1	1	1			300 5000

FUEL (NORDIC)

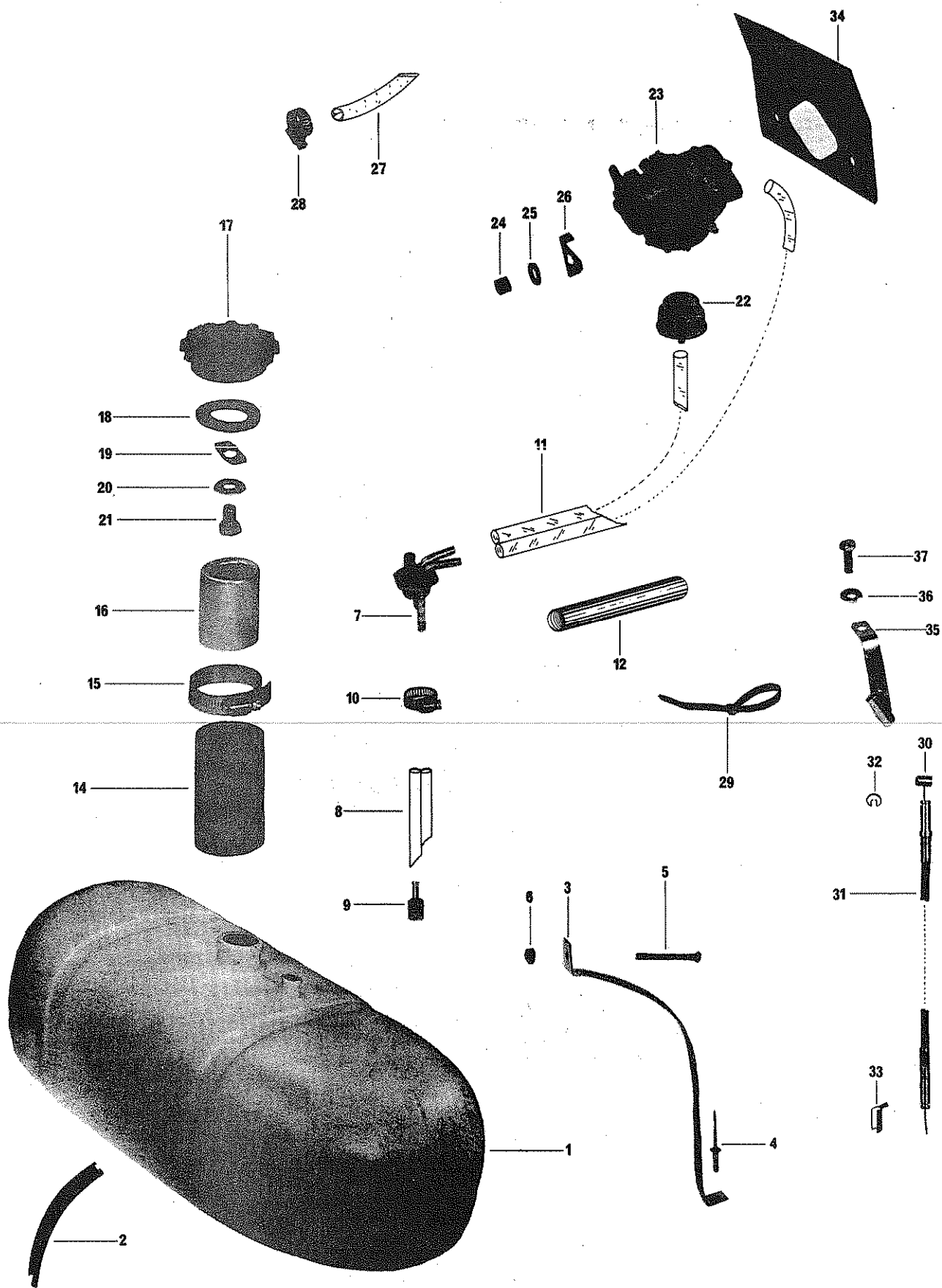


FUEL (NORDIC)
434 in 1972 Only

1974

ITEM NO.	DESCRIPTION	QUANTITY		PART NO.		
		434	640	1974	1973	1972
1	Fuel Tank	1	1	571 1301	571 1301	414 0917
2	Protector Strip	AR	AR	414 1067	414 1067	414 1067
3	Retainer Strip		2	513 0143	513 0143	
	Retainer Strip 13 5/8" L	1	1			513 0099
	Retainer Strip 14" L	1	1			513 0113
4	Retainer Strip		1	513 0142	513 0142	
5	Rivet	2	1	390 4022	390 4022	390 4022
6	Screw		2	320 1064	320 1064	
7	Nut		2	386 6013	386 6013	
8	Screw	2	2	300 1001	300 1001	309 8055
9	Washer	2	2	399 8007	399 8007	399 8007
	Washer	2	2			399 9015
10	Clip Nut	2	2	389 8029	389 8029	389 8029
11	Male Connector	1	1	414 1462	414 1462	414 1020
	Clamp	1	1			408 8004
12	Fuel Line (Mult 12")	AR	AR	414 0511	414 0511	414 0511
13	Clip		1	414 1406	414 1406	
14	Filler Neck Bib	1	1	572 1773	572 1773	572 1773
15	Fuel Line	1	1	414 0865	414 0865	414 0865
16	Fuel Line (Mult 12")	AR	AR	414 0130	414 0130	414 0130
	Isolating Line (Mult 12")	AR	AR	414 0178	414 0178	414 0178
17	Fuel Tank Cap	1	1	572 1317	572 1317	414 0209
18	Gasket		1	570 1310	570 1310	
19	Sender		1	414 1402	414 1402	
20	Screw		5	309 8069	309 8069	
21	Fuel Filter	1	1	414 1227	414 1227	414 0964
22	<input type="checkbox"/> N Carburator HD 133A (110A in 1973)		1	403 0061	403 0050	403 0032
	Carburator	1				403 0031
23	Isolating Sleeve	2	2	402 0157	404 0157	404 0157
24	Fiber Washer		2	399 9070	399 9070	
25	Tab Lock		2	513 0147	513 0147	
26	Impulse Hose (Mult 12")		1	414 1372	414 1372	
27	<input type="checkbox"/> N Spring Clip		2	414 1980	414 0128	
28	Air Deflector	1				512 0123
29	<input type="checkbox"/> N Throttle Cable	1	1	414 1907	414 1456	414 1021
30	N Housing	1	1	414 1899	414 1493	414 1025
31	Cable Protector		1	414 1359	414 1359	517 0348
32	Circlip		1	371 9013	371 9013	371 9013

FUEL (VALMONT - ALPINE)

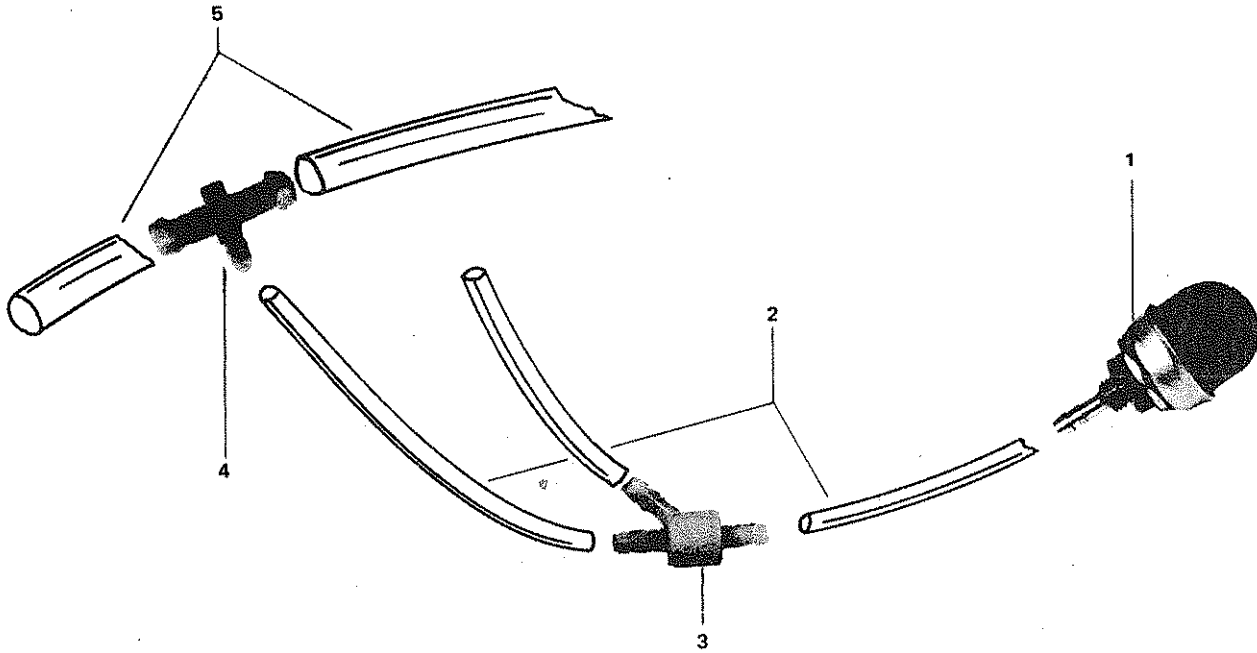


FUEL (VALMONT - ALPINE)
In 1974 Alpine 434ER - 640ER Only

1974

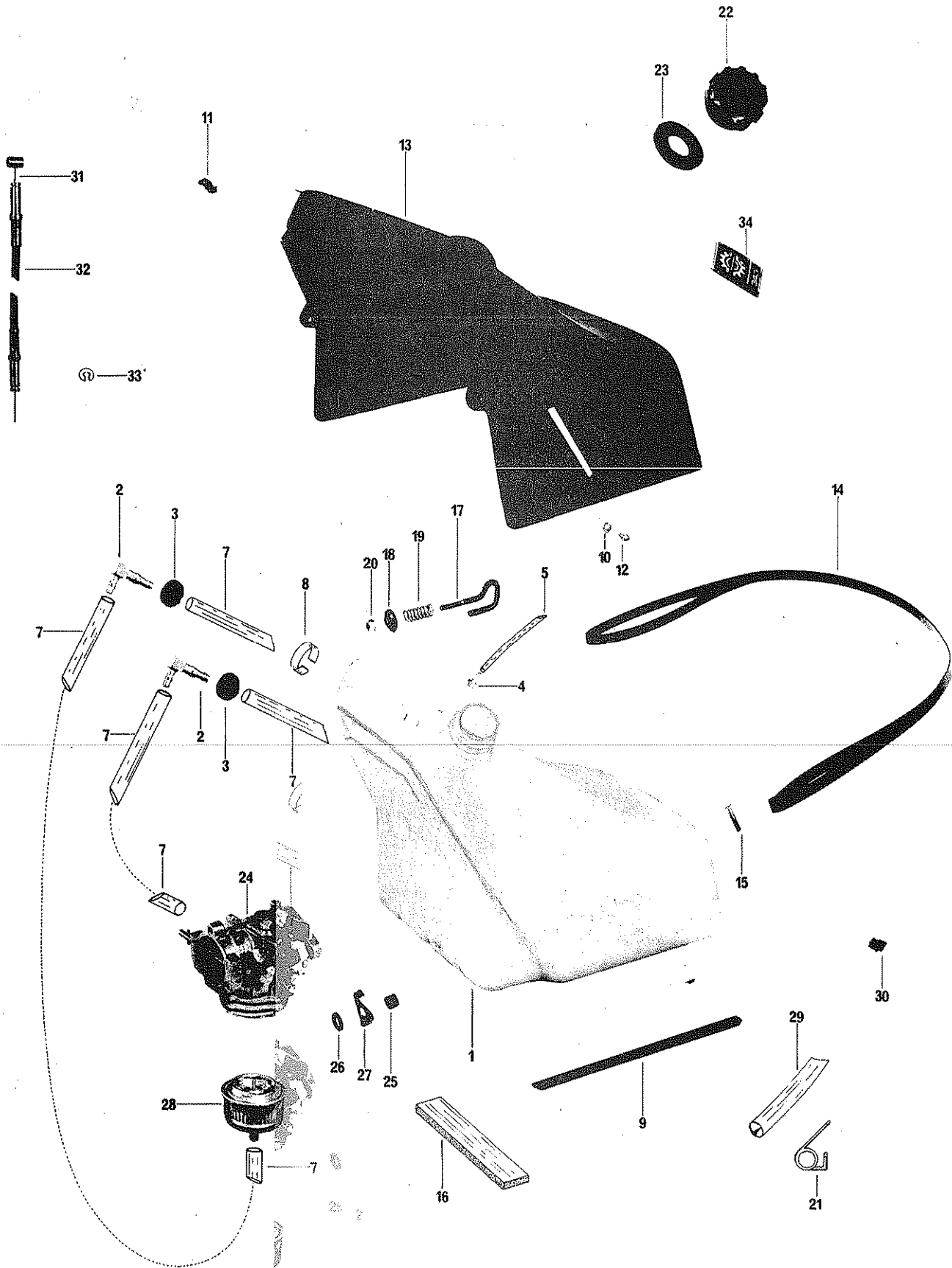
ITEM NO.	DESCRIPTION	QUANTITY			PART NO.		
		V434	A434	A640	1974	1973	1972
1	Fuel Tank	1	1	1	571 1303	571 1303	414 0355
2	Protector Strip	AR	AR	AR	414 1067	414 1067	414 1067
3	<input type="checkbox"/> Retainer Strip	4	4	4	513 0163	513 0163	513 0027
4	Rivet	4	4	4	390 4022	390 4022	390 4022
5	Screw	2	2	2	320 1072	302 1072	320 1067
6	Nut	2	2	2	387 3013	387 3013	387 3013
7	Male Connector	1	1	1	414 1334	414 1334	513 0035
	Fuel Line Adaptor	1	1	1			513 0013
8	Fuel Line (Mult 12")	AR	AR	AR	414 0511	414 0511	414 0511
9	Filter	1	1	1	414 1490	414 1490	
10	Clamp	2	2	2			408 8006
11	Fuel Line (Mult 12")	AR	AR	AR	414 0511	414 0130	414 0130
12	Isolating Line (Mult 12")	AR	AR	AR	414 0178	414 0178	414 0178
14	Filler Pipe	1	1	1			414 0774
15	Clamp	2	2	2			408 8008
16	Filler Neck	1	1	1			414 0416
17	Fuel Tank Cap	1	1	1	561 7098	561 7098	414 0290
	Fuel Tank Cap Ass'y	1	1	1			580 3028
18	Gasket	1	1	1	570 1310	570 1310	414 0293
19	Spring	1	1	1			513 0047
20	Flat Washer	1	1	1			399 9006
21	Screw	1	1	1			300 5080
22	Fuel Filter	1	1	1	414 1227	414 1227	414 0964
23	Carburetor HD 108A	1				403 0049	403 0031
23	Carburetor HD 108A		1		403 0049	403 0049	403 0031
23	Carburetor HD 124A			1	403 0055	403 0055	503 0032
24	Insulator Sleeve	2	2	2	404 0157	404 0157	404 0157
25	Fiber Washer	2	2	2	399 9070	399 9070	
26	Tab Lock	2	2	2	513 0147	513 0147	
27	Impulse Hose (Mult 12")	AR	AR	AR	414 1372	414 1372	
28	<input type="checkbox"/> N Spring Clip	2	2	2	414 1980	414 0128	
29	<input type="checkbox"/> Hose Tie	AR	AR	AR	414 1152	114 0043	114 0043
30	<input type="checkbox"/> N Throttle Cable	1	1		414 1869	414 1455	414 0277
30	Throttle Cable			1	414 0261	414 1456	414 0277
31	N Housing	1	1		414 1900	414 1495	414 1024
31	N Housing			1	414 1901	414 1494	414 1024
32	Circlip	2	2	1	371 9013	371 9023	371 9013
33	Cable Protector	1	1	1	414 1359	414 1359	517 0348
34	Air Deflector	1	1				513 0123
35	Throttle Housing Retainer	1	1		510 0029	510 0029	
36	Washer	2	2		399 8007	399 8007	
37	Screw	2	2		300 5000	300 5000	

PRIMER SYSTEM (ELAN 248)



ITEM NO.	DESCRIPTION	QTY	PART NO.	
			1974	
1	Primer Bulb	1	404 0387	
2	Tube (Air Vent) Mult 12"	AR	414 1245	
3	Primer Valve	1	404 0388	
4 <input type="checkbox"/>	Tee	1	404 0389	
5	Fuel Line (Mult 12")	AR	414 0511	

FUEL (T'NT - EVEREST)

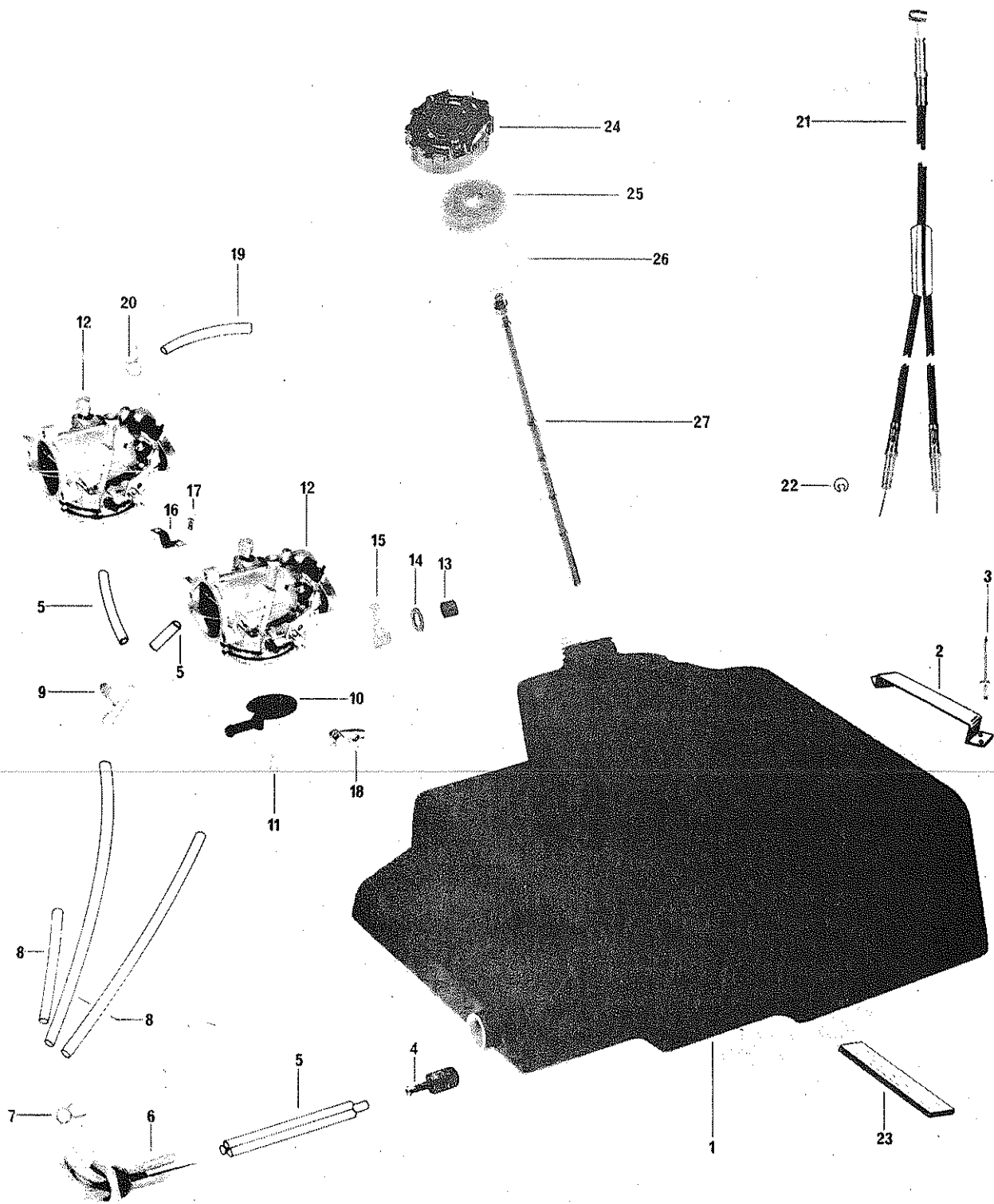


FUEL (T'NT - EVEREST)

1974

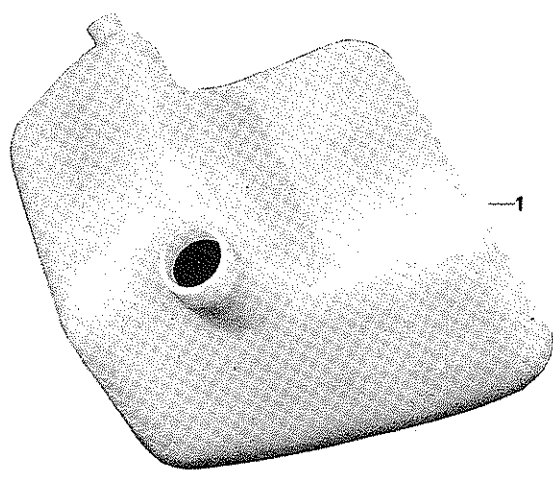
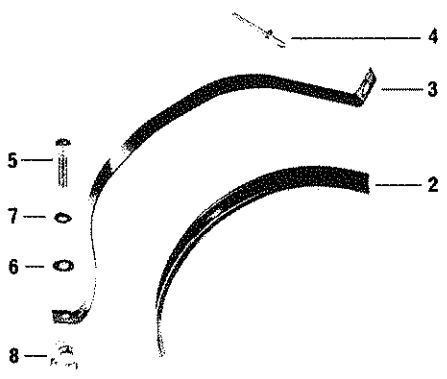
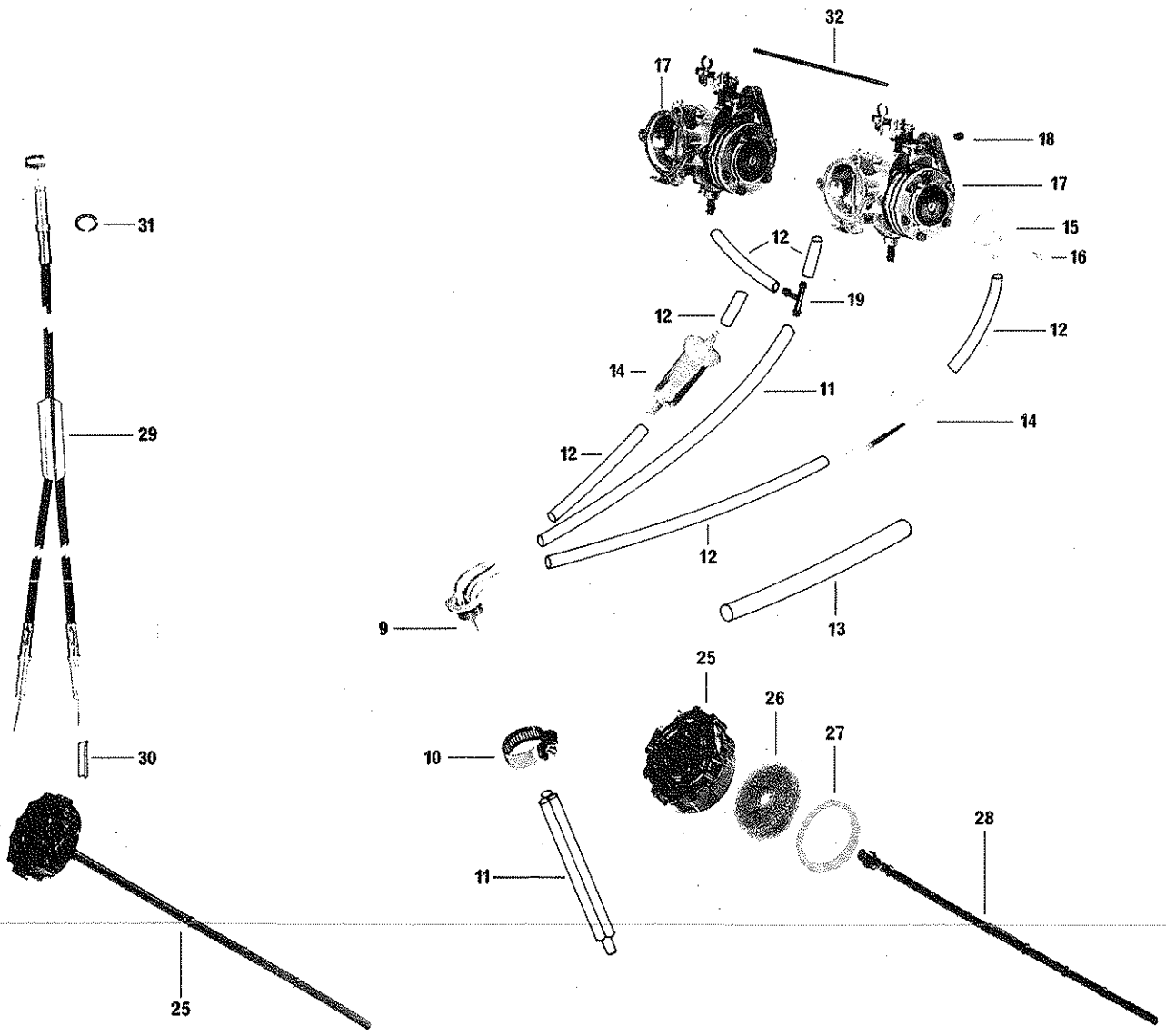
ITEM NO.	DESCRIPTION	QUANTITY				PART. NO.		
		294	343	440	EVT	1974	1973	1972
1	N Fuel Tank	1	1	1	1	571 1309		
2	N Male Connector	2	2	2	2	414 1811		
3	N Grommet	2	2	2	2	570 1321		
4	Air Vent Fitting	1	1	1	1	572 1320		
5	Tube (Air Vent) Mult. 12"	AR	AR	AR	AR	414 1245		
7	Fuel Line, Mult 12"	AR	AR	AR	AR	414 0511		
8	Clip	1	1	1	1	414 1406		
9	N Fuel Tank Channel	1	1	1	1	513 0198		
10	Washer	2	2	2	2	399 9018		
11	Clip	3	3	3	3	414 0951		
12	<input type="checkbox"/> N Screw	2	2	2	2	355 0017		
13	N Cover	1	1	1	1	572 1329		
14	N Retainer Strip	1	1	1	1	513 0199		
15	Rivet	1	1	1	1	390 9041		
16	N Mat	2	2	2	2	570 1320		
17	N Tightner	1	1	1	1	513 0195		
18	N Cup	1	1	1	1	513 0196		
19	N Spring	1	1	1	1	414 1837		
20	Nut	1	1	1	1	386 9003		
21	N Spring Clip	1	1	1	1	414 1893		
22	N Fuel Tank Cap	1	1	1	1	572 1327		
23	Gasket	1	1	1	1	570 1310		
24	<input type="checkbox"/> N Carburetor H.R. 164 A	1				403 0066		
24	N Carburetor H.D. 134 A		1			403 0064		
24	<input type="checkbox"/> N Carburetor H.D. 138 A			1	1	403 0065		
25	Isolating Sleeve	2	2	2	2	404 0157		
26	Fiber Washer	2	2	2	2	399 9070		
27	<input type="checkbox"/> Tab Lock	2				513 0140		
27	Tab Lock		2	2	2	513 0147		
28	Fuel Filter	1	1	1	1	414 1227		
29	Impulse Hose, (Mult. 12")	AR	AR	AR	AR	414 1372		
30	N Spring Clip	2	2	2	2	414 1980		
31	N Throttle Cable	1	1	1	1	414 1906		
32	N Cable Housing	1	1	1	1	414 1817		
33	Circlip	1	1	1	1	371 9013		
34	<input type="checkbox"/> Bombardier Crest	1				414 1271		
34	Bombardier Crest (Manual)		1			414 0936		
34	Bombardier Crest (Electric)		1			414 1268		
34	Bombardier Crest (Manual)			1	1	414 0889		
34	Bombardier Crest (Electric)			1		414 0890		

FUEL (T'NT - F.A.)



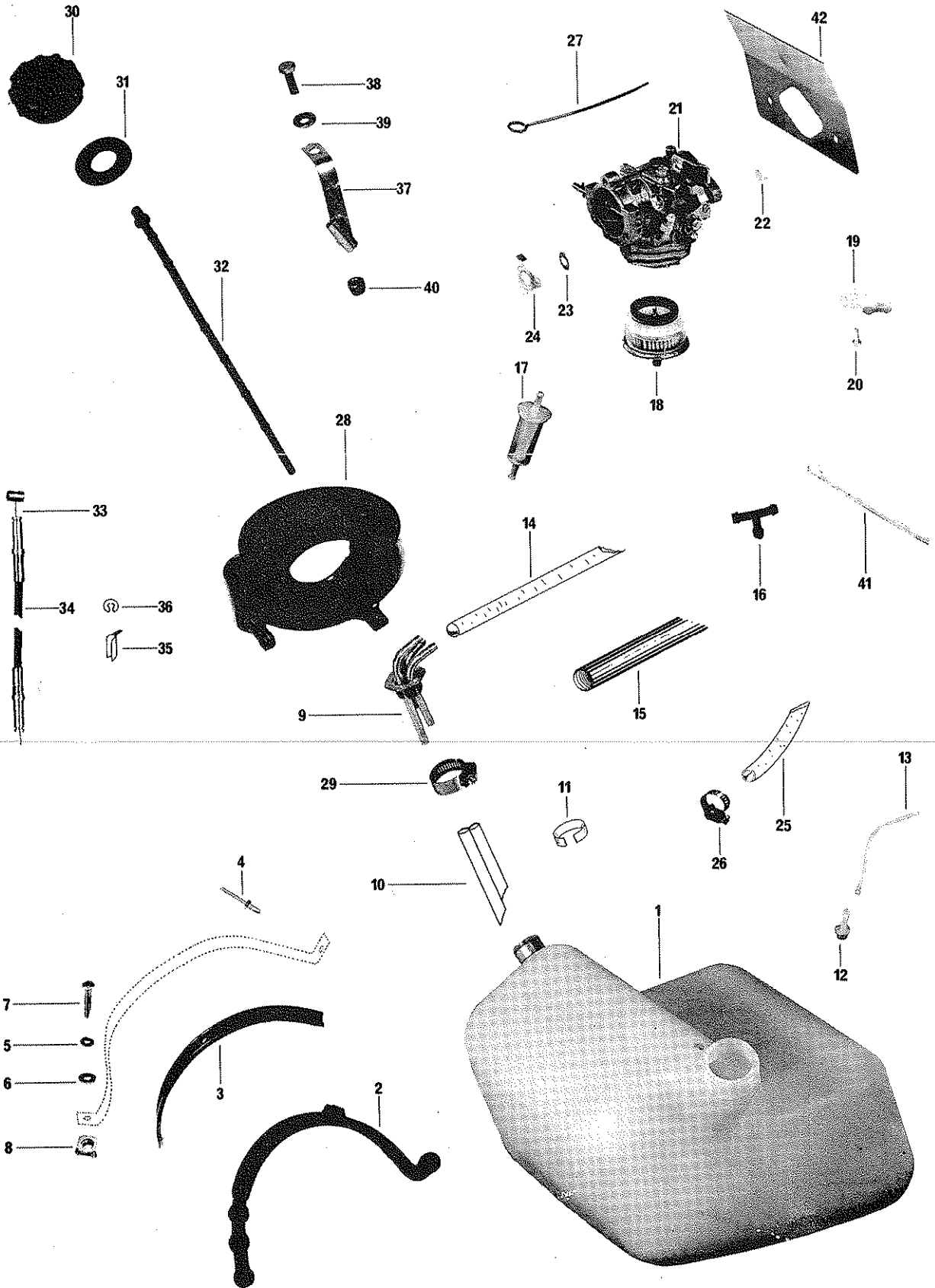
ITEM NO.	DESCRIPTION	QUANTITY			PART. NO.		
		346	396	436	1974	1973	1972
1	N Fuel Tank	1	1	1	571 1310	571 1306	
2	Bracket	1	1			517 0675	
3	Rivet	4	4			390 4036	
4	Fuel Filter	2	2	2	414 0106	414 0106	
5	Fuel Line (Mult 12')	AR	AR	AR	414 1372	414 1372	
6	Male Connector	1	1	1	414 1065	414 1065	
7	<input type="checkbox"/> N Spring Clip	4	4	7	414 1893	414 1160	
8	Fuel Line (Mult 12')	AR	AR	AR	414 0511	414 1372	
9	"T" Line	1	1	1	414 0024	414 1553	
10	Fuel Strainer Cover	2	2	2	404 0051	404 0051	
11	Screw	2	2	2	404 0052	404 0052	
12	Carburator HR 149A	2			403 0054	403 0054	
12	Carburator HD 123A		2		403 0053	403 0053	
12	<input type="checkbox"/> N Carburator HRM-3A			2	403 0067		
13	Isolating Sleeve	4	4	4	404 0157	404 0157	
14	Fiber Washer	4	4	4	399 9070	399 9070	
15	Tab Lock	4			513 0148	513 0148	
15	Tab Lock		4		513 0147	513 0147	
15	<input type="checkbox"/> Tab Lock			4	513 0206		
16	Choke Coupling	1	1	1	512 0174	512 0174	
17	Screw	2	2	2	404 0304	404 0304	
18	<input type="checkbox"/> Lever	1		1	404 0357	404 0357	
18	<input type="checkbox"/> Lever		1		404 0349	404 0349	
19	Impulse Hose (Mult 12')	AR	AR	AR	414 1372	414 1372	
20	<input type="checkbox"/> N Spring Clip	12	12	9	414 1980	414 0128	
21	N Throttle Cable and Housing	1	1	1	414 1824	414 1629	
22	Circlip	3	3	3	371 9013	371 9013	
23	Felt Strip (Mult 12')	AR	AR	AR	414 0247	414 0247	
24	Fuel Tank Cap	1	1	1	572 1308	572 1308	
25	Polyfoam	1	1	1	414 1046	414 1046	
26	Air Chamber	1	1	1	572 1311	572 1311	
27	N Fuel Tank Gauge	1	1	1	572 1328	414 1312	

FUEL (T'NT 400)



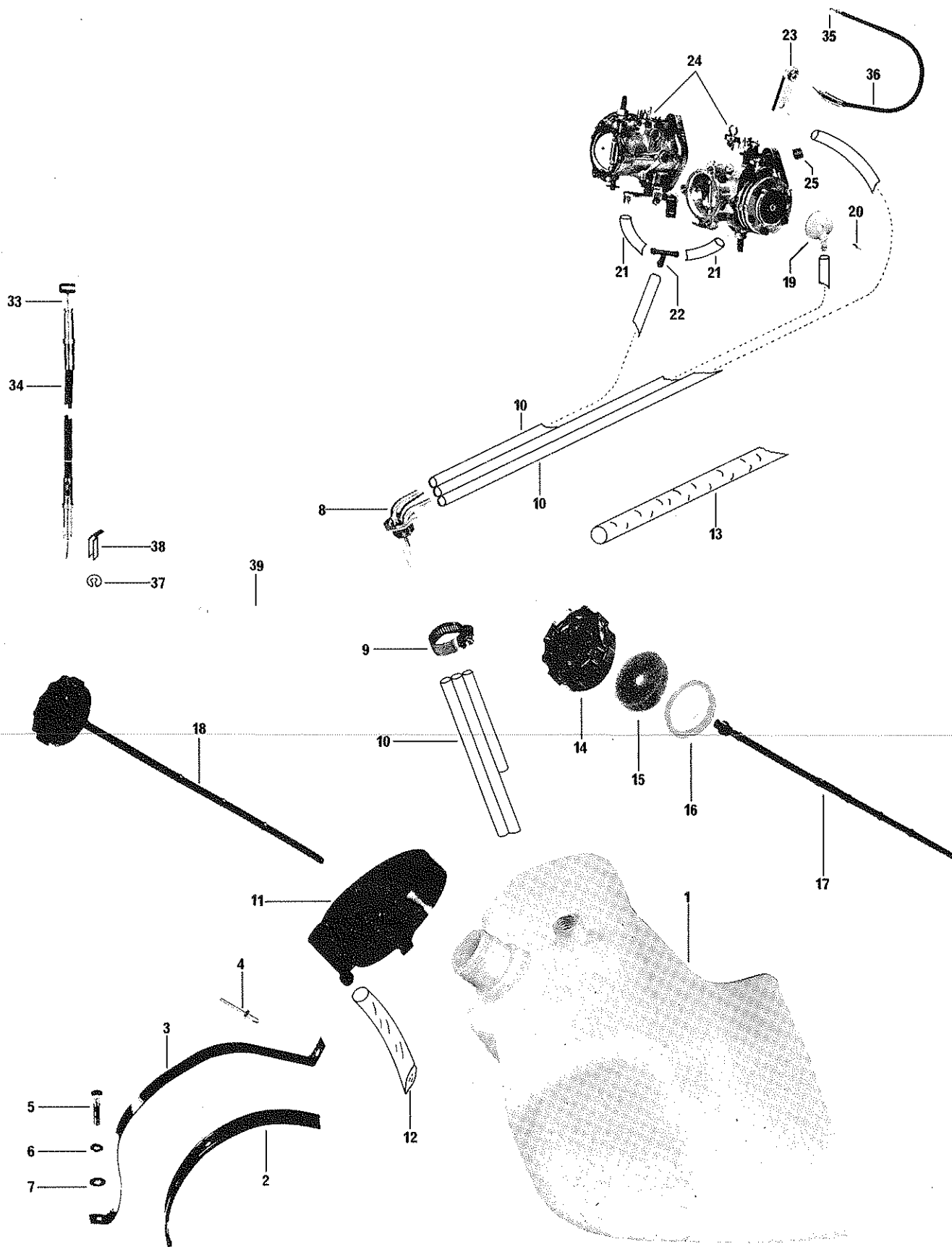
ITEM NO.	DESCRIPTION	QUANTITY		PART NO.	
		400		1972	
1	Fuel Tank	1		414 1158	
2	Protector Strip	AR		414 1067	
3	Retainer Strip	2		513 0125	
4	Rivet	2		390 4022	
5	Screw	2		309 8055	
6	Washer	2		399 9015	
7	Washer	2		399 8007	
8	Clip Nut	2		389 8029	
9	Male Connector	1		414 1065	
10	Clamp	1		408 8004	
11	Fuel Line (Mult 12")	AR		414 0511	
12	Fuel Line (Mult 12")	AR		414 0130	
13	Isolating Line	AR		414 0178	
14	Fuel Filter	2		414 1194	
15	Strainer Cover	2		404 0051	
16	Screw	2		404 0052	
17	Carburator Hd 104 A	2		403 0038	
18	Isolating Sleeve	4		404 0157	
19	"T" Line	1		414 0024	
25	Fuel Tank Cap Ass'y	1		581 1083	
25	Fuel Tank Cap	1		572 1308	
26	Polyfoam	1		414 1046	
27	Air Chamber	1		572 1311	
2k	Gauge	1		572 1312	
29	Throttle Cable & Housing Ass'y	1		414 1297	
30	Cable Protector	1		517 0248	
31	Circlip	1		371 9013	
32	Throttle Rod	1		414 0847	

FUEL (T'NT)



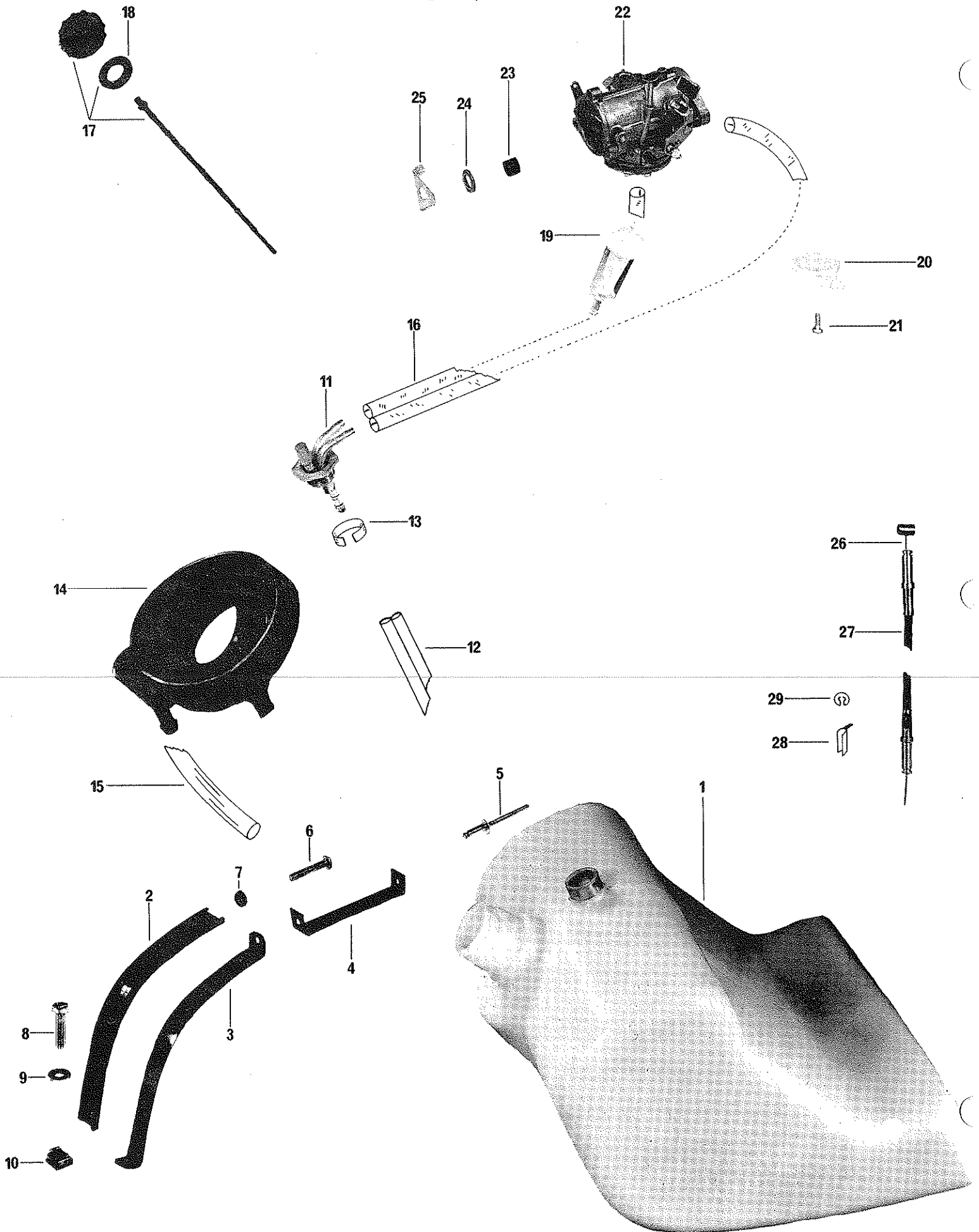
ITEM NO.	DESCRIPTION	QUANTITY			PART NO.	
		294	343	435	1973	1972
1	Fuel Tank	1	1	1	414 1295	414 0770
2	Retainer Strip	2	2	2	570 1308	513 0125
3	Protector Strip (435 in 1972 Only)	AR	AR	AR		414 1067
4	Rivet	2	2	2		390 4022
5	Washer	2	2	2		399 8007
6	Washer (435 in 1972 Only)	2	2	2		399 9015
7	Screw	2	2	2		309 8055
8	Clip Nut	2	2	2		389 8029
9	Male Connector	1			414 1020	414 1020
10	Fuel Line (Mult 12")	AR	AR	AR	414 0511	414 0511
11	Clip	2	1	1	414 1406	
12	Fitting (Air Vent)	1	1	1	572 1320	
13	Tube(Air Vent) (Mult 12")	AR	AR	AR	414 1245	
14	Fuel Line (Mult 12")	AR	AR	AR	414 0130	414 0130
15	Isolating Line (Mult 12")	AR	AR	AR	414 0178	414 0178
16	"Y" Line	1			414 1553	
17	Fuel Filter	2			414 1194	414 0964
18	Fuel Filter		1	1	414 1227	414 0964
19	Fuel Strainer Cover	2			404 0051	
20	Screw	2			404 0052	
21	Carburator HR 137 A	2			403 0046	403 0025
21	Carburator HD 107 A		1		403 0047	403 0034
21	Carburator HD 109 A			1	403 0048	403 0033
22	Isolating Sleeve	4	2	2	404 0157	404 0157
23	Fiber Washer	4	2	2	399 9070	
24	Tab Lock	4			513 0148	
24	Tab Lock		2	2	513 0147	
25	Impulse Hose (Mult 12")	AR	AR	AR	414 1372	
26	Hose Clamp	4	2	2	414 0128	
27	Choke&Throttle Rod	1			414 1514	
27	Throttle Rod	1			510 0030	
28	Filler Neck Bib	1	1	1		572 1773
	Fuel Line	AR	AR	AR		414 0865
29	Gear Clamp	1	1	1		408 8004
30	Fuel Tank Cap Ass'y	1	1	1	572 1319	
30	Fuel Tank Cap	1	1	1		572 1308
	Polyfoam	1	1	1		414 1046
31	Gasket	1	1	1	570 1310	
	Air Chamber	1	1	1		572 1311
32	Fuel Tank Gauge	1	1	1		572 1312
33	Throttle Cable	1	1	1	414 1374	414 1021
34	Housing	1		1	414 1453	414 1025
34	Housing		1		414 1453	414 1023
35	Cable Protector	1	1	1	414 1359	517 0348
36	Circlip	1	1	1	371 9013	371 9013
37	Cable Housing Retainer		1			561 2007
38	Screw		1			300 1001
39	Washer		2			399 9015
40	Nut		1			386 6019
41	Hose Tie	AR	AR	AR	114 0043	114 0043
42	Air Deflector			1		512 0123

FUEL (T'NT 640 - 775)



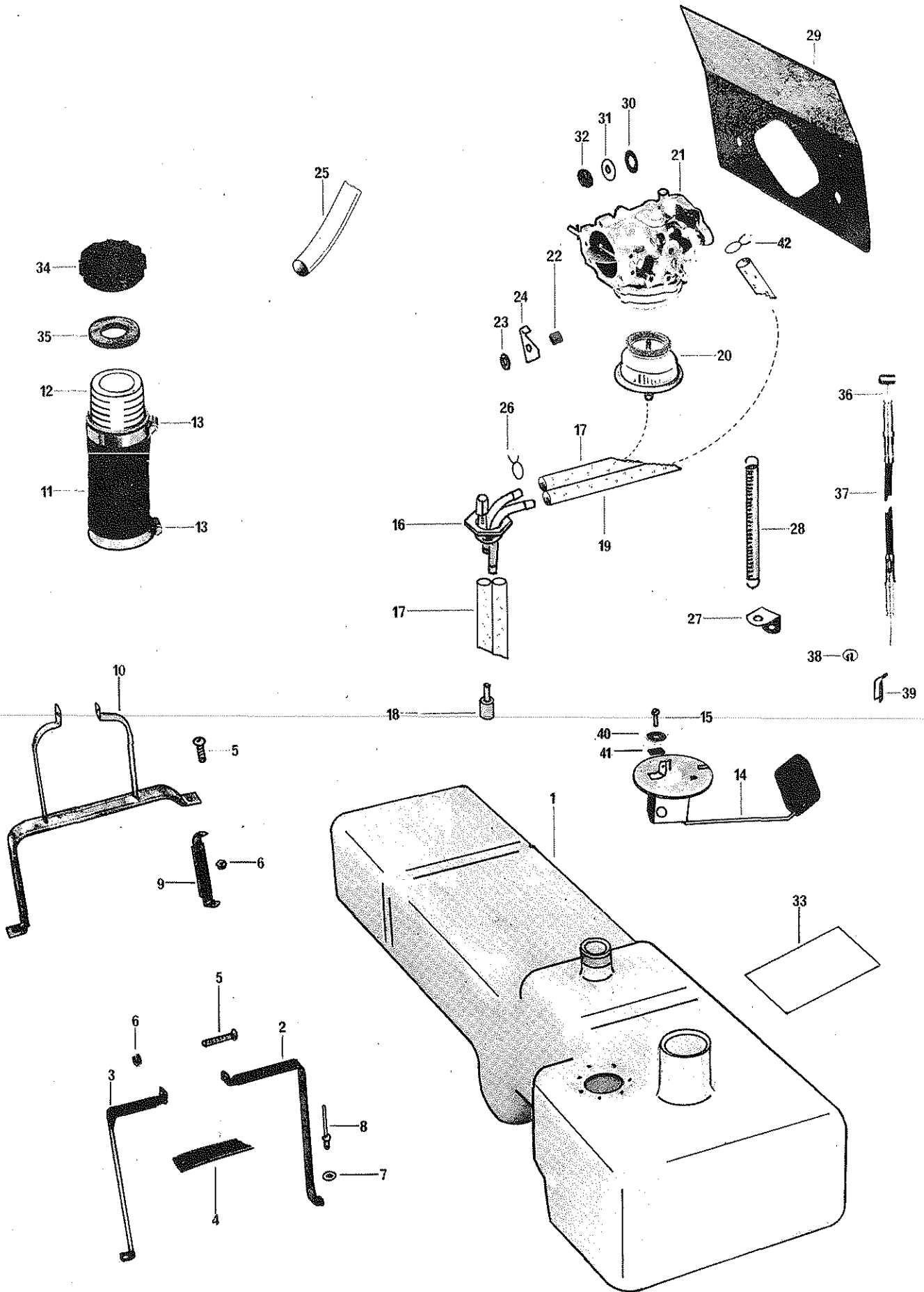
ITEM NO.	DESCRIPTION	QUANTITY		PART NO.		
		640	775	1972		
1	Fuel Tank	1	1	414 0917		
2	Protector Strip	AR	AR	414 1067		
3	Retainer Strip	2	2	513 0099		
4	Rivet	2	2	390 4022		
5	Screw	2	2	309 8055		
6	Washer	2	2	390 9015		
7	Washer	2	2	399 8007		
	Clip Nut	2	2	389 8029		
8	Male Connector	1	1	414 1065		
9	Clamp	1	1	408 8004		
10	Fuel Line (Mult 12")	AR	AR	414 0511		
11	Filler Neck Bib	1	1	572 1773		
12	Fuel Line (11 1/4"L)	1	1	414 0865		
13	Isolating Line (Mult 12")	AR	AR	414 0178		
14	Fuel Tank Cap	1	1	572 1308		
15	Poly Foam	1	1	414 1046		
16	Air Chamber	1	1	572 1311		
17	Fuel Tank Gauge	1	1	572 1305		
18	Fuel Tank Cap Ass'y	1	1	581 0183		
19	Fuel Strainer Cover	2	2	404 0051		
20	Screw	2	2	404 0052		
21	Fuel Line (Mult 12")	AR	AR	414 0130		
22	"T" Line	1	1	414 0024		
23	Throttle Bracket	1	1	513 0082		
24	Carburator HD 101 A	2		403 0037		
24	Carburator HD 81 A		2	403 0032		
25	Isolating Sleeve	4	4	404 0157		
33	Throttle Cable	1	1	414 0314		
34	Cable Housing	1	1	414 1023		
35	Throttle Cable	1	1	414 0261		
36	Throttle Housing	1	1	414 0288		
37	Circlip	1	1	371 9013		
38	Cable Protector	1	1	517 0348		
39	Hose Tie	1	1	114 0043		

FUEL (Skandic)



ITEM NO.	DESCRIPTION	QUANTITY		PART NO.	
		337		1973	
1	Fuel Tank	1		414 0917	
2	Protector Strip	AR		414 1067	
3	Retainer Strip	2		513 0143	
4	Retainer Strip	2		513 0142	
5	Rivet	2		390 4022	
6	Screw	2		320 1064	
7	Nut	2		386 6013	
8	Screw	2		300 1001	
9	Washer	2		399 8007	
10	Clip Nut	2		389 8029	
11	Male Connector	1		414 1334	
12	Fuel Line (Mult 12'')	AR		414 0511	
13	Clip	1		414 1406	
14	Filler Neck Bib	1		572 1773	
15	Fuel Line	1		414 0865	
16	Fuel Line (Mult 12'')	AR		414 0130	
17	Fuel Tank Cap Ass'y	1		572 1319	
18	Gasket	1		570 1310	
19	Fuel Filter	1		414 1194	
20	Strainer Cover	1		404 0051	
21	Screw	1		404 0052	
22	Carburator HR 75 A	1		403 0023	
23	Isolating Sleeve	2		404 0157	
24	Fiber Washer	2		399 9070	
25	Tab Lock	2		513 0148	
26	Throttle Cable	1		414 1373	
27	Housing	1		414 1377	
28	Cable Protector	1		414 1359	
29	Circlip	1		371 9013	

FUEL TANK (ELITE)



FUEL TANK (ELITE)

1974

ITEM NO.	DESCRIPTION	QTY	PART NO.	
			1974	1973
1	N Fuel Tank	1	571 1312	571 1304
2	Retainer Strip 10''L	1	513 0182	513 0182
3	Retainer Strip 10'' (9'' in 73)	1	513 0182	513 0181
4	Protector Strip (Mult 12'')	AR	414 1067	414 1067
5	Screw	2	320 1067	320 1067
6	Nut	2	386 6013	386 6013
7	Washer	4	399 9022	399 9022
8	Rivet	4	390 9017	390 9017
9	Retainer Strip (3'')	1	513 0183	513 0183
10	N Retainer Strip (Air Intake)	1	513 0204	513 0184
11	Filler Pipe	1		513 0187
12	Filler Neck	1		571 1305
13	Hose Clamp	2		408 8016
14	Sender	1	414 1641	414 1641
15	Screw	5	309 8069	309 8069
16	N Male Connector	1	414 1334	414 1334
17	Fuel Line (Mult 12'')	AR	414 0511	414 0511
18	Filter	1	414 1490	414 0106
19	Fuel Line (Mult 12'')	AR	414 0511	414 0130
20	Fuel Filter	1	414 1227	414 1227
21	N Carburator H.D. 140A (128A in 73)	1	403 0068	403 0056
22	Insulator Sleeve	2	404 0157	404 0157
23	Fiber Washer	2	399 9070	399 9070
24	Tab Lock	2	513 0147	513 0147
25	Impulse Hose (Mult 12'')	AR	414 1372	414 1372
26	N Spring Clip (2 Hose Clamp in 73)	5	414 1980	414 0128
27	Carburator Bracket	1		512 0183
28	Spring	1		414 1734
29	Air Deflector	1		512 0165
30	Washer	2		399 9007
31	Washer	2		392 0022
32	Nut	2		402 0018
33	Tank Protector (Mult 12'')	AR		414 1663
34	Fuel Tank Cap	1	572 1317	572 1317
35	Gasket	1	570 1310	570 1310
36	Throttle Cable	1	414 1620	414 1620
37	N Housing	1	414 1902	414 1619
38	Circlip	1	371 9013	371 9013
39	Cable Protector	1	414 1359	414 1359
40	Washer	1	399 9018	
41	N Pad	1	570 1325	
42	Spring Clip (Carburator Return)	1	414 1893	

C

C

C

SECTION CARBURATOR

Afin d'avoir en catalogue la liste complète de pièces des carburateurs de 1960 à 1974, veuillez joindre à la présente section, la section carburateur du catalogue 1971 & 1973.

In order to have on hand the complete list of 1960 to 1974 carburetor parts, we suggest that you join the 1971 & 1973 Parts list carburetor section to the present section.

DIAPHRAGM & GASKET SET

404 0281 For All "HD" Carburator (Items Marked W/(K) consisting of:

404 0033	Diaphragm
404 0167	Fuel Pump Diaphragm
404 0171	Inlet Valve Diaphragm
404 0031	Diaphragm Gasket
404 0166	Fuel Pump Gasket
404 0170	Inlet Valve Gasket

404 0282 For All "HR" & "HRM" Carburator (Items Marked W/(K) consisting of:

404 0030	Diaphragm Gasket
404 0032	Diaphragm
404 0041	Fuel Pump Gasket
404 0191	Fuel Pump Gasket
404 0043	Fuel Pump Diaphragm (Pulse)
404 0044	Fuel Pump Diaphragm (Valve)
404 0190	Fuel Pump Diaphragm
404 0196	Inlet Valve Gasket
404 0195	Inlet Valve Diaphragm

CODE

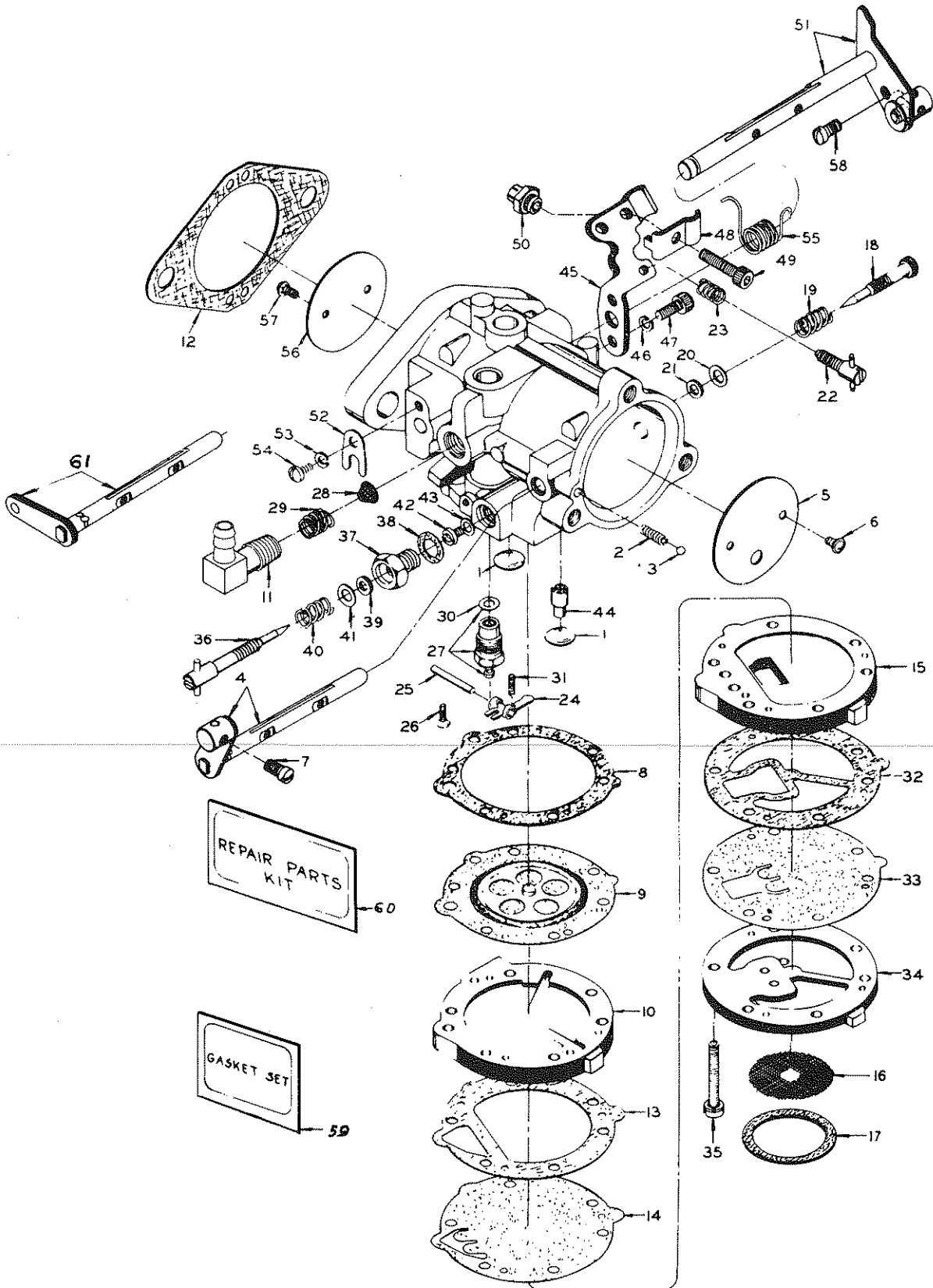
* — Indicates Contents of Repair Parts Kit
(K) — Indicates Contents of Diaphragm & Gasket Set
D — Indicates a Difference in Parts No.

CARBURATOR INDEX

YEAR	MODEL	VEHICLE	PART NO.	PAGE
60 to 68	HL 233 B	60 to 65 All Models, 66-67-68 Olym. 250, 67 Chalet	403 0005	11
66	HR 4 A	Olympique 250AS	403 0003	7
66	HR 1 A	Super Olympique 300 - Alpine 300	403 0002	7
67-68-69	HR 7 A	67-68 Olym. 300 - 300E - Alpine 300, 69 Olym. 12/3	403 0006	7
67	HD 4 A	Olympique 370 - Alpine 370	403 0004	15
68	HD 8 A	Olympique 370 - 370E - Alpine 370	403 0007	13
69-70	HR 17 C	69 Olympique 320 - 320E, 70 Olympique 335 - 335E	403 0018	5
69	HD 8 B	Olympique 370 - Alpine 370 - 370E	403 0009	13
69-70	HD 22 A	69 Olym. 12/3 SS - 320SS, 70 T'NT 340 - Blizzard 292 - 340	403 0015	3
69-70-71	HR 16 B	69 Nordic 371 - 371E, 70 Olym. 399, 71 Alpine 399 - 399E	403 0012	5
69-70	HD 21 A	T'NT 399	403 0014	3
69-70	HD 20 A	69 Alp. 640E - T'NT 669, 70 Nordic 640E - T'NT 640 - 775 - Blizzard 636 - 797	403 0013	3
70	HR 37 A	Olympique 12/3	403 0016	5
70-71	HR 40 A	70-71 Nordic 399 - 399E, 71 Valmont 399 - 399E	403 0017	5
70-71	HR 69 A	Skandic	403 0019	9
70	HR 77 A	Blizzard 436	403 0021	5
71-72	HR 74 A	Olymp. 300	403 0022	5
71-72-73	HR 75 A	71-72-73 Olympique 335 - 355E, 73 Skandic	403 0023	7
71-72	HR 76 A	Olympique 399 - 399E	403 0024	7
71	HD 20 B	Nordic 640 - T'NT 640 - 775 - Alpine 640ER	403 0026	3
71	HD 73 A	T'NT 440	403 0030	17
71-72	HD 22 B	71 T'NT 340 - Blizzard 291 - 336, 71-72 T'NT 292	403 0025	3
71-72	HR 73 A	Elan 250-250E	403 0020	9
71	HD 66 A	Valmont 640	403 0028	17
71	HD 72 A	Blizzard 397 - 347 - 636 - 797	403 0029	19
72	HR 112 A	Nordic 440 - 440E - Valmont 440 - 440E	403 0031	23
72	HD 81 A	Nordic 640E - T'NT 775 - Alpine 640E	403 0032	21
72	HD 83 A	T'NT 440	403 0033	21
72	HD 98 A	T'NT 340	403 0034	25
72	HD 99 A	Blizzard 395	403 0035	33
72	HD 100 A	Blizzard 438 - 645 - 797	403 0036	33
72	HD 101 A	T'NT 640	403 0037	25
72	HD 104 A	T'NT 400	403 0038	33
73	HR 128 A	'73 Blizzard 298 - 345 Only	403 0039	23
73-74	HR 133 A	Elan 247 - 247 E	403 0044	23
73	HR 136 A	Elan 248	403 0045	23
73	HR 143 A	Elan 249	403 0051	27
73-74	HR 132 A	Olympique 302	403 0040	23
73-74	HR 131 A	Olympique 338-338E	403 0041	31
73-74	HR 134 A	Olympique 401-401E	403 0042	31
73	HR 135 A	Olympique 434	403 0043	31
73	HR 137 A	T'NT 294	403 0046	27
73	HD 107 A	T'NT 343	403 0047	21
73	HD 109 A	T'NT 435	403 0048	21
73	HD 110 A	Nordic 640E	403 0050	29
73-74	HD 108 A	Valmont - Alpine 440 - 440E	403 0049	29
73-74	HD 124 A	Alpine 640E	403 0055	29
73-74	HD 123 A	T'NT 396 F.A.	403 0053	35
73-74	HR 149 A	T'NT 346 F.A.	403 0054	37
73	HD 131 A	Blizzard 441	403 0059	41
73	HD 128 A	Elite	403 0056	39
72	HD 152 A	Blizzard 293 - 339 (Replace HR 128 A on '72 vehicle)	403 0057	43
73	HD 100AX	Blizzard 650 - 800	403 0058	33
74	HR 155 A	N Elan 248-248 Deluxe	403 0060	45
74	HR 161 A	N Elan 294	403 0063	45
74	HR 164 A	N T'NT 294	403 0066	47
74	HD 133 A	N Nordic	403 0061	49
74	HD 134 A	N T'NT 340 FC	403 0064	51-53
74	HD 138 A	N T'NT 440 - EVT	403 0065	51-53
74	HD 140 A	N Elite	403 0068	49
74	HRM-3A	N T'NT 436 FA	403 0067	55

CARBURETOR

HD



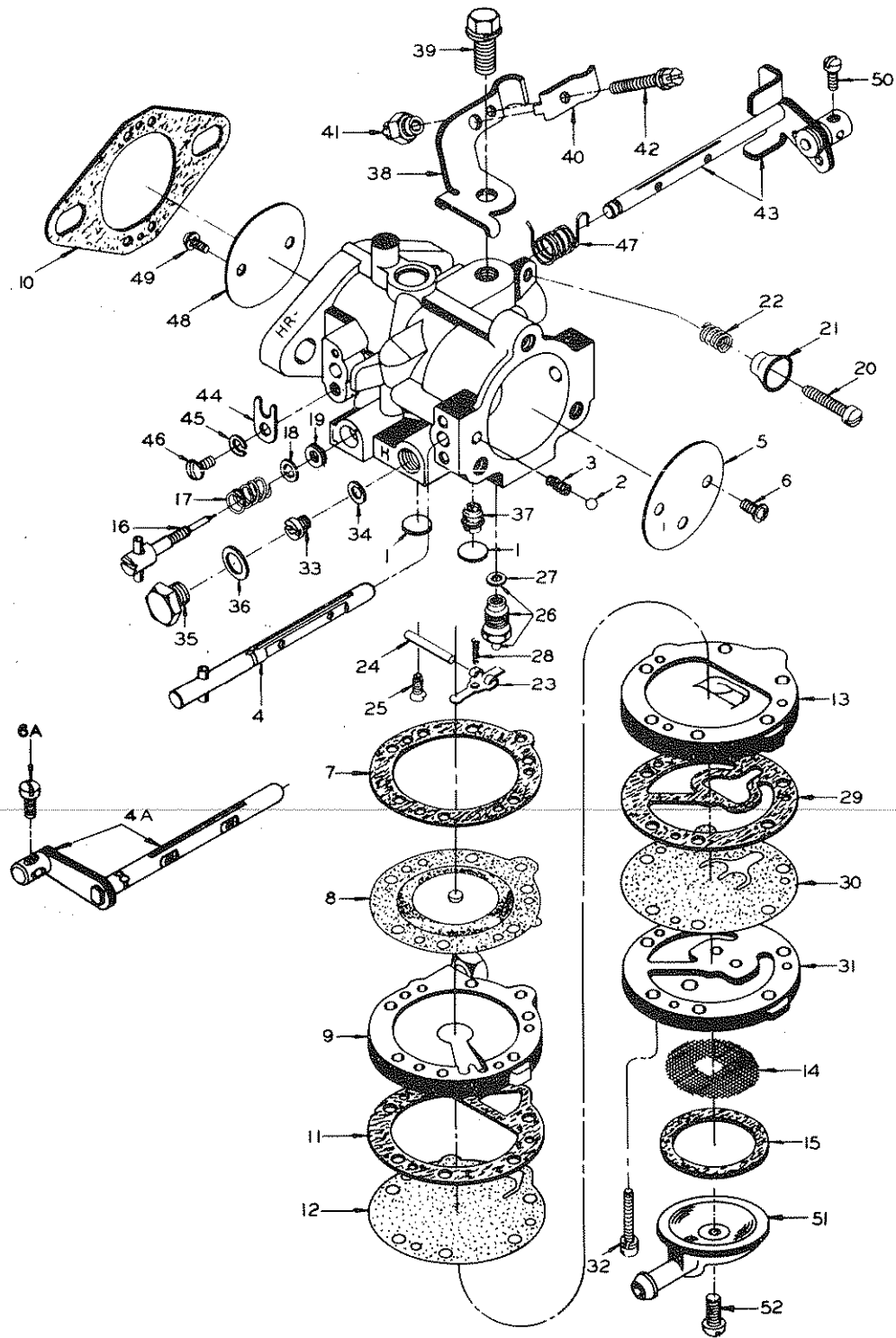
CARBURATOR

HR

ITEM NO.	DESCRIPTION	QTY	PART NO.		
			152A		
1	* Body Channel Welch Plug	2	404 0010		
2	Diaphragm Gasket (K)	1	404 0030		
3	* Diaphragm (K)	1	404 0032		
4	Diaphragm Cover	1	404 0319		
5	Flange Gasket	2	404 0039		
6	Fuel Pump Gasket (K)	1	404 0191		
7	* Fuel Pump Diaphragm (K)	1	404 0190		
8	Fuel Pump Body	1	404 0189		
9	* Fuel Strainer Screen	1	404 0181		
10	Fuel Strainer Cover Gasket	1	404 0050		
11	Fuel Strainer Cover	1	404 0182		
12	* Fuel Strainer Cover Ret. Screw	1	404 0152		
13	Idle Mixture Screw	1	404 0192		
14	* Idle Mixture Screw Spring	1	404 0056		
15	Idle Mixture Screw Washer	1	404 0057		
16	Idle Speed Screw Packing	1	404 0059		
17	* Idle Speed Screw	1	404 0066		
18	Idle Speed Screw Cup	1	404 0158		
19	* Idle Speed Screw Spring	1	404 0067		
20	* Inlet Control Lever	1	404 0069		
21	Inlet Control Lever Fulcrum Pin	1	404 0072		
22	* Inlet Control Lever Fulcrum Pin Ret. Screw	1	404 0073		
23	Inlet Needle Seat & Gasket	1	404 0159		
24	Inlet Seat Gasket	1	404 0079		
25	* Inlet Tension Spring	1	404 0081		
26	Inlet Valve Gasket (K)	1	404 0196		
27	* Inlet Valve Diaphragm	1	404 0195		
28	Inlet Valve Body	1	404 0193		
29	Inlet Valve Body Ret. Screw	6	404 0194		
30	High Speed Mixture Screw	1	404 0202		
31	* High Speed Mixture Screw Spring	1	404 0068		
32	High Speed Mixture Screw Washer	1	404 0058		
33	High Speed Mixture Screw Packing	1	404 0063		
34	N* Nozzle Check Valve	1	404 0378		
35	Throttle Cable Bracket	1	404 0264		
36	Throttle Cable Bracket Ret. Screw & Lockwasher	1	404 0265		
37	Throttle Cable Clamp	1	404 0215		
38	Throttle Cable Clamp Ret. Nut	1	404 0217		
39	Throttle Cable Clamp Ret. Screw	1	404 0216		
40	Throttle Shaft & Lever	1	404 0320		
41	Throttle Shaft Clip	1	404 0102		
42	Throttle Shaft Clip Lockwasher	1	404 0105		
43	Throttle Shaft Clip Ret. Screw	1	404 0106		
44	* Throttle Shaft Return Spring	1	404 0111		
45	Throttle Shutter	1	404 0198		
46	* Throttle Shutter Screw & Lockwasher	2	404 0304		
47	* Throttle Wire Ret. Screw	2	404 0220		
	* Gasket & Packing Set	1	404 0295		
	* N Repair Parts Kit	1	404 0382		
(K)	Diaphragm & Gasket Set	1	404 0282		



CARBURATOR



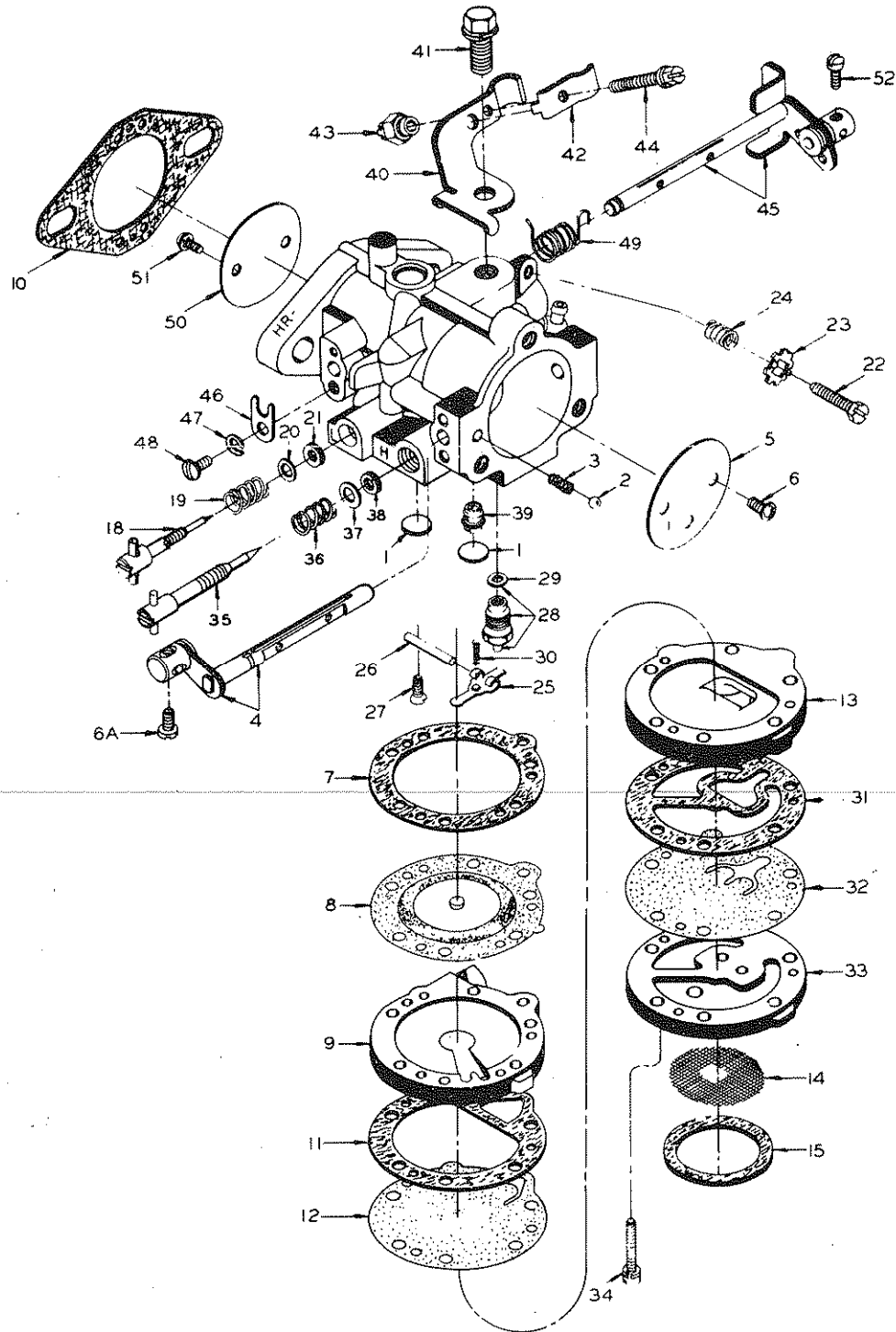
CARBURATOR

HR

ITEM NO.	DESCRIPTION	QTY	PART. NO.	
			155A	161A
1	* Body Channel Welch Plug	2	404 0010	404 0010
2	Choke Friction Ball	1	404 0013	404 0013
3	Choke Friction Spring	1	404 0014	404 0014
4	Choke Shaft & Pin	1	404 0267	
4A	Choke Shaft & Lever	1		404 0300
5	D Choke Shutter	1	404 0268	404 0187
6	Choke Shutter Screw & Lockwasher	2	404 0304	404 0304
6A	Choke Wire Ret. Screw	1		404 0220
7	Diaphragm Gasket (K)	1	404 0030	404 0030
8	* Diaphragm (K)	1	404 0032	404 0032
9	D Diaphragm Cover	1	404 0338	404 0368
10	Flange Gasket	2	404 0039	404 0039
11	Fuel Pump Gasket (K)	1	404 0191	404 0191
12	* Fuel Pump Diaphragm (K)	1	404 0190	404 0190
13	Fuel Pump Body	1	404 0189	404 0189
14	* Fuel Strainer Screen	1	404 0181	404 0181
15	Fuel Strainer Cover Gasket	1	404 0050	404 0050
16	Idle Mixture Screw	1	404 0192	404 0192
17	* Idle Mixture Screw Spring	1	404 0056	404 0056
18	Idle Mixture Screw Washer	1	404 0057	404 0057
19	Idle Mixture Screw Packing	1	404 0059	404 0059
20	* Idle Speed Screw	1	404 0365	404 0365
21	Idle Speed Screw Washer	1	404 0383	404 0383
22	* Idle Speed Screw Spring	1	404 0067	404 0067
23	* Inlet Control Lever	1	404 0069	404 0069
24	* Inlet Control Lever Fulcrum Pin	1	404 0072	404 0072
25	* Inlet Control Lever Fulcrum Pin Ret. Screw	1	404 0073	404 0073
26	Inlet Needle, Seat & Gasket	1	404 0159	404 0159
27	Inlet Seat Gasket	1	404 0079	404 0079
28	* Inlet Tension Spring	1	404 0082	404 0082
29	Inlet Valve Gasket (K)	1	404 0196	404 0196
30	* Inlet Valve & Diaphragm (K)	1	404 0195	404 0195
31	Inlet Valve Body	1	404 0193	404 0193
32	Inlet Valve Body Ret. Screw	6	404 0194	404 0194
33	Main Fuel Jet (.044)	1	404 0284	
33	Main Fuel Jet (0.51)	1		404 0255
34	Main Fuel Jet Gasket	1	404 0260	404 0260
35	Main Fuel Jet Plug Screw	1	404 0139	404 0139
36	Main Fuel Jet Plug Screw Gasket	1	404 0142	404 0142
37	* Nozzle Check Valve	1	404 0088	404 0088
38	Throttle Cable Bracket	1	404 0328	404 0328
39	Throttle Cable Bracket Ret. Screw&Lockwasher	1	404 0265	404 0265
40	Throttle Cable Clamp	1	404 0215	404 0215
41	Throttle Cable Clamp Ret. Nut	1	404 0217	404 0217
42	Throttle Cable Clamp Ret. Screw	1	404 0337	404 0337
43	Throttle Shaft & Lever	1	404 0343	404 0343
44	Throttle Shaft Clip	1	404 0102	404 0102
45	Throttle Shaft Clip Lockwasher	1	404 0105	404 0105
46	Throttle Shaft Clip Ret. Screw	1	404 0106	404 0106
47	* Throttle Shaft Return Spring	1	404 0111	404 0111
48	D Throttle Shutter	1	404 0117	404 0198
49	* Throttle Shutter Screw & Lock washer	2	404 0304	404 0304
50	Throttle Wire Ret. Screw	1	404 0220	404 0220
51	Fuel Strainer Cover	1	404 0182	
52	Fuel Strainer Cover Ret. Screw	1	404 0052	
	* Gasket Set	1	404 0295	404 0295
	Repair Parts Kit	1	404 0293	404 0293
(K)	Diaphragm & Gasket Set	1	404 0282	404 0282

(*) Indicates Contents of Repair Parts Kit
 (K) Indicates Contents of Diaphragm & Gasket Set
 (D) Indicates a Difference in Parts No.

CARBURATOR



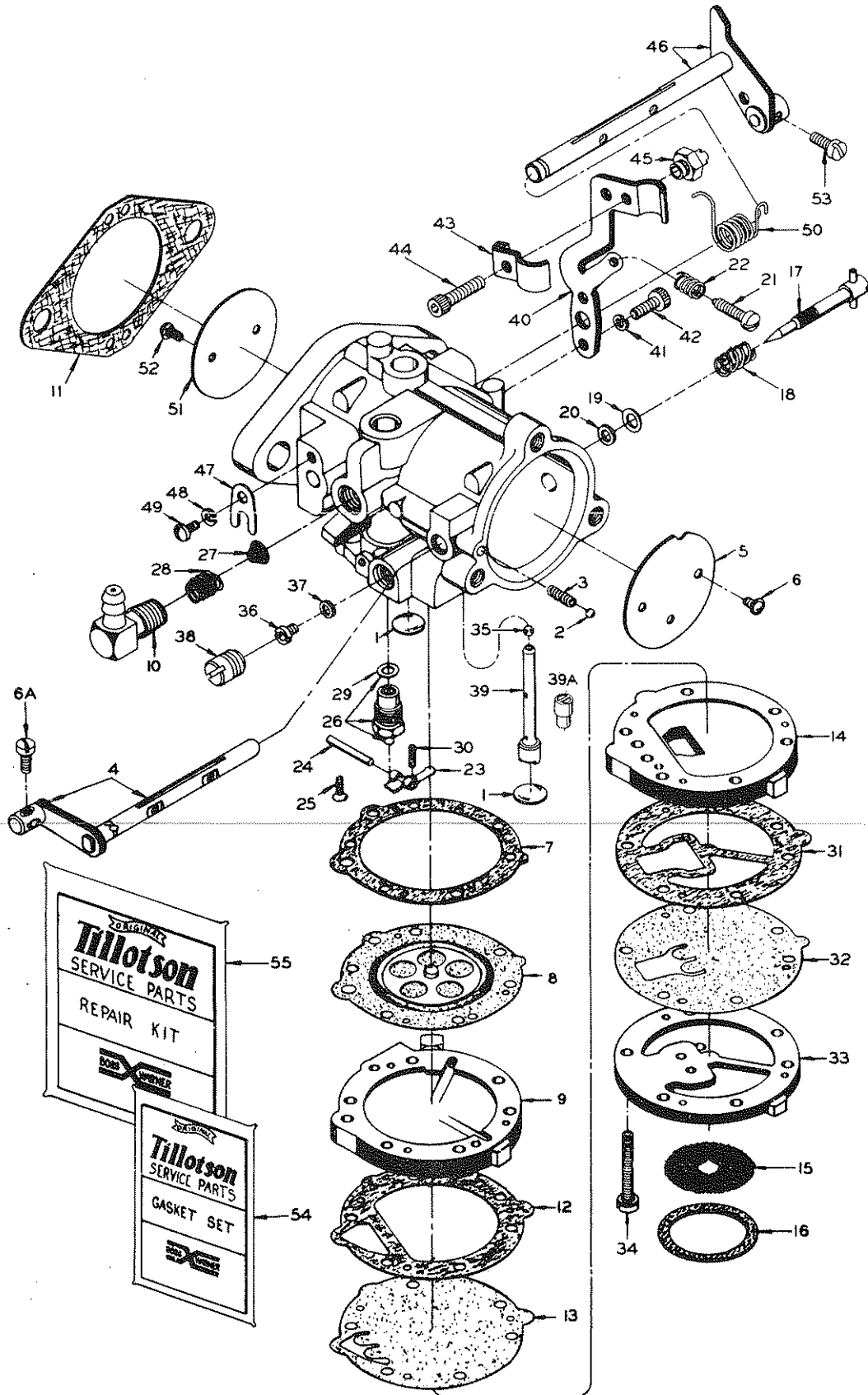
CARBURATOR

HR

ITEM NO.	DESCRIPTION	QTY	PART NO		
			164A		
1	* Body Channel Welch Plug	2	404 0010		
2	Choke Friction Ball	1	404 0013		
3	Choke Friction Spring	1	404 0014		
4	Choke Shaft & Lever	1	404 0300		
5	Choke Shutter	1	404 0187		
6	Choke Shutter Screw & Lockwasher	2	404 0304		
6A	Choke Wire Ret. Screw	1	404 0220		
7	Diaphragm Gasket (K)	1	404 0030		
8	* Diaphragm (K)	1	404 0032		
9	Diaphragm Cover	1	404 0368		
10	Flange Gasket	1	404 0039		
11	Fuel Pump Gasket (K)	1	404 0191		
12	* Fuel Pump Diaphragm (K)	1	404 0190		
13	Fuel Pump Body	1	404 0189		
14	* Fuel Strainer Screen	1	404 0181		
15	Fuel Strainer Cover Gasket	1	404 0050		
18	Idle Mixture Screw	1	404 0192		
19	* Idle Mixture Screw Spring	1	404 0056		
20	Idle Mixture Screw Washer	1	404 0057		
21	Idle Mixture Screw Packing	1	404 0059		
22	* Idle Speed Screw	1	404 0365		
23	Idle Speed Screw Washer	1	404 0383		
24	* Idle Speed Screw Spring	1	404 0067		
25	* Inlet Control Lever	1	404 0069		
26	* Inlet Control Lever Fulcrum Pin	1	404 0072		
27	* Inlet Control Lever Fulcrum Pin Ret. Screw	1	404 0073		
28	Inlet Needle, Seat & Gasket	1	404 0159		
29	Inlet Seat Gasket	1	404 0079		
30	* Inlet Tension Spring	1	404 0081		
31	Inlet Valve Gasket (K)	1	404 0196		
32	* Inlet Valve Diaphragm (K)	1	404 0195		
33	Inlet Valve Body	1	404 0193		
34	Inlet Valve Body Ret. Screw	6	404 0194		
35	Main Adj. Screw	1	404 0202		
36	* Main Adj. Screw Spring	1	404 0068		
37	Main Adj. Screw Washer	1	404 0058		
38	Main Adj. Screw Packing	1	404 0063		
39	* Nozzle Check Valve	1	404 0088		
40	Throttle Cable Bracket	1	404 0328		
41	Throttle Cable Bracket Ret Screw & Lock Washer	1	404 0265		
42	Throttle Cable Clamp	1	408 0215		
43	Throttle Cable Clamp Ret. Nut	1	404 0217		
44	Throttle Cable Clamp Ret. Screw	1	404 0337		
45	Throttle Shaft & Lever	1	404 0343		
46	Throttle Shaft Clip	1	404 0102		
47	Throttle Shaft Clip Lockwasher	1	404 0105		
48	Throttle Shaft Clip Ret. Screw	1	404 0106		
49	* Throttle Shaft Return Spring	1	404 0111		
50	Throttle Shutter	1	404 0198		
51	* Throttle Shutter Screw & Lockwasher	2	404 0304		
52	* Throttle Wire Ret. Screw	1	404 0220		
	* Gasket Set	1	404 0295		
	Repair Kit	1	404 0293		
(K)	Diaphragm / Gasket Set	1	404 0282		

(*) Indicates Contents of Repair Parts Kit
 (K) Indicates Contents of Diaphragm & Gasket Set
 (D) Indicates a Difference in Parts. No.

CARBURATOR

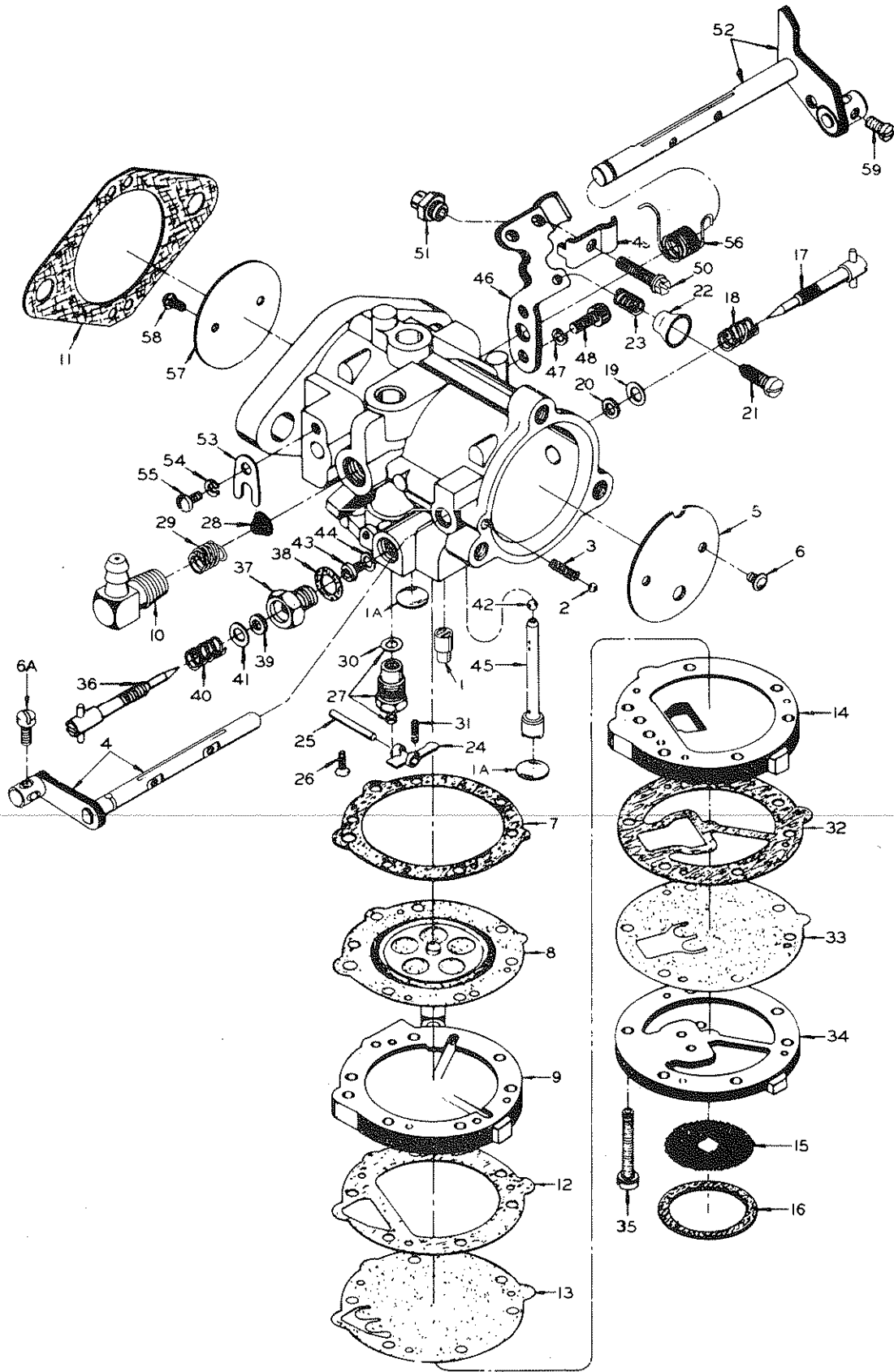


CARBURATOR

HD

ITEM NO.	DESCRIPTION	QTY	PART. NO.	
			133A	140A
1	* Body Channel Welch Plug	2	404 0011	404 0011
2	Choke Friction Ball	1	404 0013	404 0013
3	Choke Friction Spring	1	404 0014	404 0014
4	Choke Shaft&Lever	1	404 0299	404 0299
5	D Choke Shutter	1	404 0351	404 0180
6	Choke Shutter Screw	2	404 0304	404 0304
6A	Choke Wire Ret Screw	1	404 0220	404 0220
7	Diaphragm Gasket (K)	1	404 0031	404 0031
8	* Diaphragm (K)	1	404 0033	404 0033
9	D Diaphragm Cover	1	404 0335	404 0350
10	Elbow Connector Ass'y	1	404 0340	404 0340
11	D Flange Gasket	2	404 0308	404 0212
12	Fuel Pump Gasket (K)	1	404 0166	404 0166
13	* Fuel Pump Diaphragm (K)	1	404 0167	404 0167
14	Fuel Pump Body	1	404 0168	404 0168
15	* Fuel Strainer Screen	1	404 0181	404 0181
16	Fuel Strainer Cover Gasket	1	404 0050	404 0050
17	Idle Mixture Screw	1	404 0287	404 0287
18	* Idle Mixture Screw Spring	1	404 0068	404 0068
19	Idle Mixture Screw Washer	1	404 0058	404 0058
20	Idle Mixture Screw Packing	1	404 0063	404 0063
21	* Idle Speed Screw	1	404 0064	404 0064
22	* Idle Speed Screw Spring	1	404 0067	404 0067
23	* Inlet Control Lever	1	404 0069	404 0069
24	* Inlet Control Lever Fulcrum Pin	1	404 0072	404 0072
25	* Inlet Control Lever Fulcrum Pin Ret. Screw	1	404 0073	404 0073
26	Inlet Needle Seat & Gasket	1	404 0229	404 0229
27	* Inlet Screen	1	404 0235	404 0235
28	* Inlet Screen Ret. Spring	1	404 0236	404 0236
29	Inlet Seat Gasket	1	404 0080	404 0080
30	* Inlet Tension Spring	1	404 0081	404 0081
31	Inlet Valve Gasket (K)	1	404 0170	404 0170
32	* Inlet Valve Diaphragm (K)	1	404 0171	404 0171
33	Inlet Valve Body	1	404 0213	404 0213
34	Inlet Valve Body Screw & Lockwasher	6	404 0173	404 0173
35	Lead Shot	1	404 0321	
36	N Main Fuel Jet (.067)	1	404 0391	
36	N Main Fuel Jet (.058)	1		404 0394
37	Main Fuel Jet Gasket	1	404 0174	404 0174
38	Main Fuel Jet Plug Screw	1	404 0348	404 0348
39	* Nozzle Check Valve Ass'y	1	404 0392	
39A	Nozzle Check Valve	1		404 0089
40	Throttle Cable Bracket	1	404 0342	404 0342
41	Throttle Cable Bracket Lockwasher	2	404 0105	404 0105
42	Throttle Cable Bracket Ret. Screw	2	404 0251	404 0251
43	Throttle Cable Clamp	1	404 0215	404 0215
44	Throttle Cable Clamp Ret Screw	1	404 0337	404 0337
45	Throttle Cable Clamp Ret. Nut	1	404 0217	404 0217
46	D Throttle Shaft & Lever	1	404 0355	404 0341
47	Throttle Shaft Clip	1	404 0104	404 0104
48	Throttle Shaft Clip Lock Washer	1	404 0105	404 0105
49	Throttle Shaft Clip Ret Screw	1	404 0106	404 0106
50	* Throttle Shaft Return Spring	1	404 0306	404 0306
51	D Throttle Shutter	1	404 0305	404 0116
52	* Throttle Shutter Screw	2	404 0304	404 0304
53	* Throttle Wire Ret. Screw	1	404 0220	404 0220
54	D* Gasket Set	1	404 0311	404 0298
55	D Repair Parts Kit	1	404 0356	404 0372
(K)	Diaphragm & Gasket Set	1	404 0281	404 0281
	* Indicates Contents of Repair Parts Kit			
	K Indicates Contents of Diaphragm & Gasket Set			
	D Indicates a difference in Parts. No.			

CARBURATOR

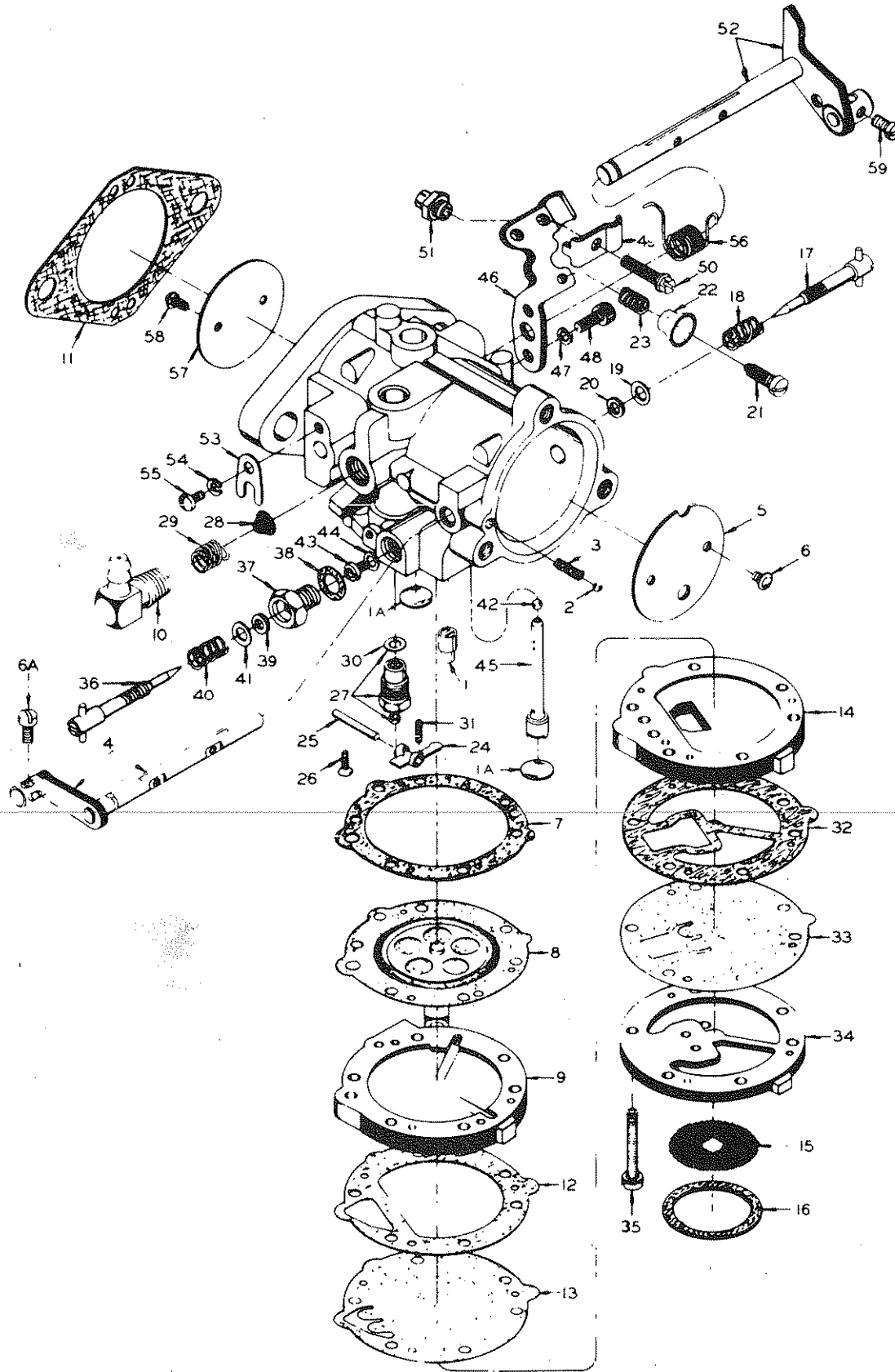


CARBURATOR

HD

ITEM NO.	DESCRIPTION	QTY	PART NO.	
			134A	138A
1	N Auxiliary Nozzle	1		404 0399
1A	* Body Channel Welch Plug	2	404 0011	404 0011
2	Choke Friction Ball	1	404 0013	404 0013
3	Choke Friction Spring	1	404 0014	404 0014
4	N Choke Shaft & Lever	1	404 0398	404 0398
5	D Choke Shutter	1	404 0180	404 0351
6	Choke Shutter Screw	2	404 0304	404 0304
6A	Choke Wire Ret. Screw	1	404 0220	404 0220
7	Diaphragm Gasket (K)	1	404 0031	404 0031
8	* Diaphragm (K)	1	404 0033	404 0033
9	Diaphragm Cover	1	404 0335	404 0335
10	Elbow Connector	1	404 0340	404 0340
11	Flange Gasket	2	404 0212	
11	Flange Gasket	3		404 0308
12	Fuel Pump Gasket (K)	1	404 0166	404 0166
13	* Fuel Pump Diaphragm (K)	1	404 0167	404 0167
14	Fuel Pump Body	1	404 0168	404 0168
15	* Fuel Strainer Screen	1	404 0181	404 0181
16	Fuel Strainer Cover Gasket	1	404 0050	404 0050
17	Idle Mixture Screw	1	404 0287	404 0287
18	* Idle Mixture Screw Spring	1	404 0068	404 0068
19	Idle Mixture Screw Washer	1	404 0058	404 0058
20	Idle Mixture Screw Packing	1	404 0063	404 0063
21	* Idle Speed Screw	1	404 0064	404 0064
22	Idle Speed Screw Cup	1		404 0158
23	* Idle Speed Screw Spring	1	404 0067	404 0067
24	D* Inlet Control Lever	1	404 0070	404 0069
25	* Inlet Fulcrum Pin	1	404 0072	404 0072
26	* Inlet Fulcrum Pin Ret. Screw	1	404 0073	404 0073
27	D Inlet Needle Seat & Gasket	1	404 0285	404 0229
28	* Inlet Screen	1	404 0235	404 0235
29	* Inlet Screen Ret. Spring	1	404 0236	404 0236
30	Inlet Seat Gasket	1	404 0080	404 0080
31	* Inlet Tension Spring	1	404 0081	404 0081
32	Inlet Valve Gasket (K)	1	404 0170	404 0170
33	* Inlet Valve Diaphragm (K)	1	404 0171	404 0171
34	Inlet Valve Body	1	404 0213	404 0213
35	Inlet Valve Body Screw & Lock Washer	6	404 0173	404 0173
36	High Speed Mixture Screw	1	404 0055	404 0055
37	High Speed Mixture Screw Gland	1	404 0147	404 0147
38	High Speed Mixture Screw Gland Gasket	1	404 0144	404 0144
39	High Speed Mixture Screw Packing	1	404 0063	404 0063
40	* High Speed Mixture Screw Spring	1	404 0068	404 0068
41	High Speed Mixture Screw Washer	1	404 0058	404 0058
42	Lead Shot	1		404 0321
43	Main Fuel Jet (.096)	1	404 0290	
43	Main Fuel Jet (.081)	1		404 0227
44	Main Fuel Jet Gasket	1	404 0174	404 0174
45	N* Nozzle Check Valve Ass'y	1	404 0400	
45A	Nozzle Check Valve	1		404 0089
46	D Throttle Cable Bracket	1	404 0342	404 0353
47	Throttle Cable Bracket Ret. Lockwasher	2	404 0105	404 0105
48	Throttle Cable Bracket Ret. Screw	2	404 0251	404 0251

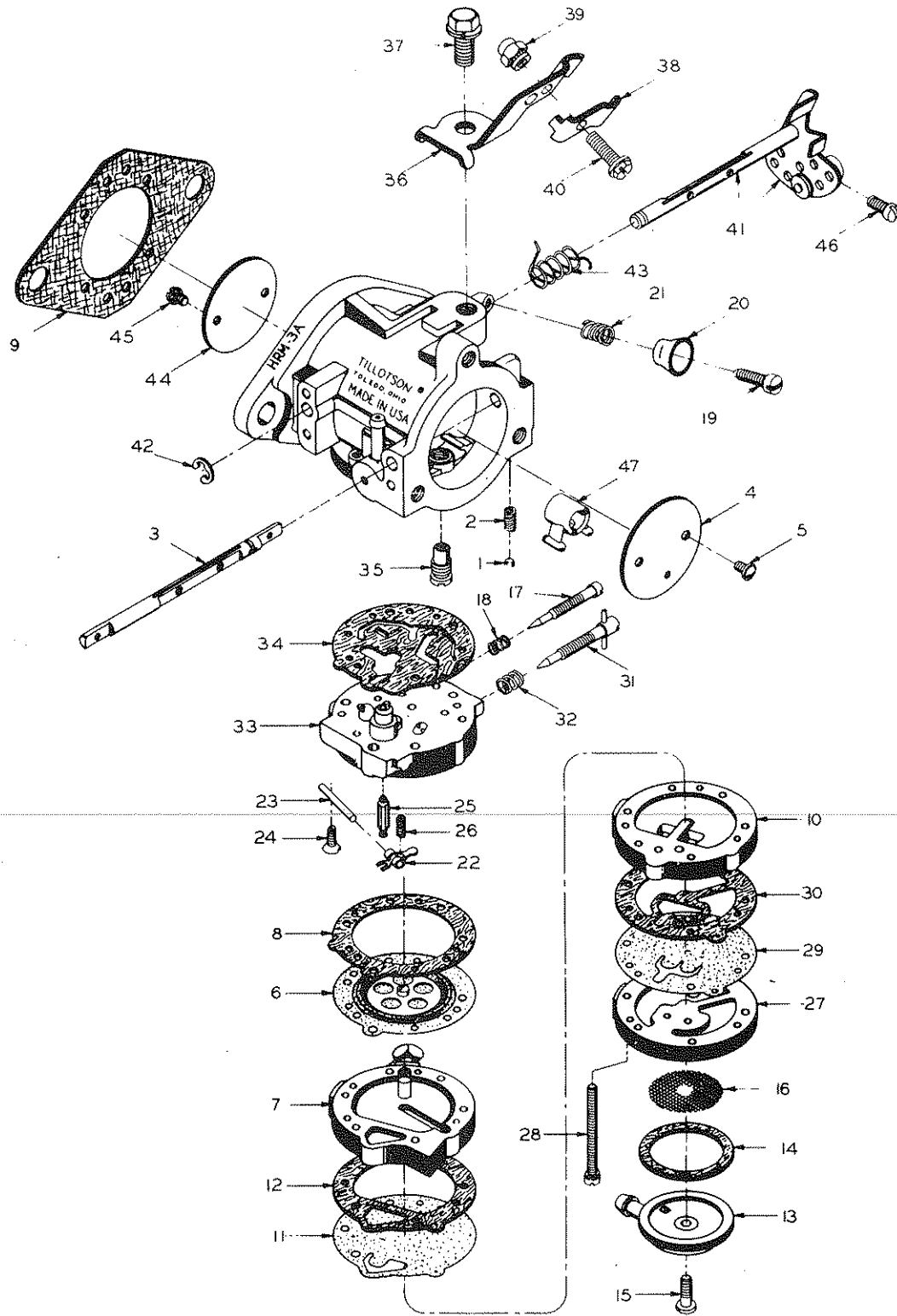
CARBURATOR



CARBURATOR

HD

ITEM NO.	DESCRIPTION	QTY	PART NO.	
			134A	138A
49	Throttle Cable Clamp	1	404 0215	404 0215
50	Throttle Cable Clamp Ret. Screw	1	404 0337	404 0337
51	Throttle Cable Clamp Ret. Nut	1	404 0217	404 0217
52	D Throttle Shaft & Lever	1	404 0341	404 0355
53	Throttle Shaft Clip	1	404 0104	404 0104
54	Throttle Shaft Clip Lockwasher	1	404 0105	404 0105
55	Throttle Shaft Clip Ret. Screw	1	404 0106	404 0106
56	* Throttle Shaft Return Spring	1	404 0306	404 0306
57	D Throttle Shutter	1	404 0116	404 0305
58	* Throttle Shutter Screw	2	404 0304	404 0304
59	* Throttle Wire Ret. Screw	1	404 0220	404 0220
	D* Gasket Set	1	404 0298	404 0311
	D Repair Parts Kit	1	404 0313	404 0356
(K)	Diaphragm/Gasket Set	1	404 0281	404 0281
	*Indicates Contents of Repair Parts Kit			
	(K) Indicates Contents of Diaphragm & Gasket Set			
	D Indicates a Difference in Parts No			

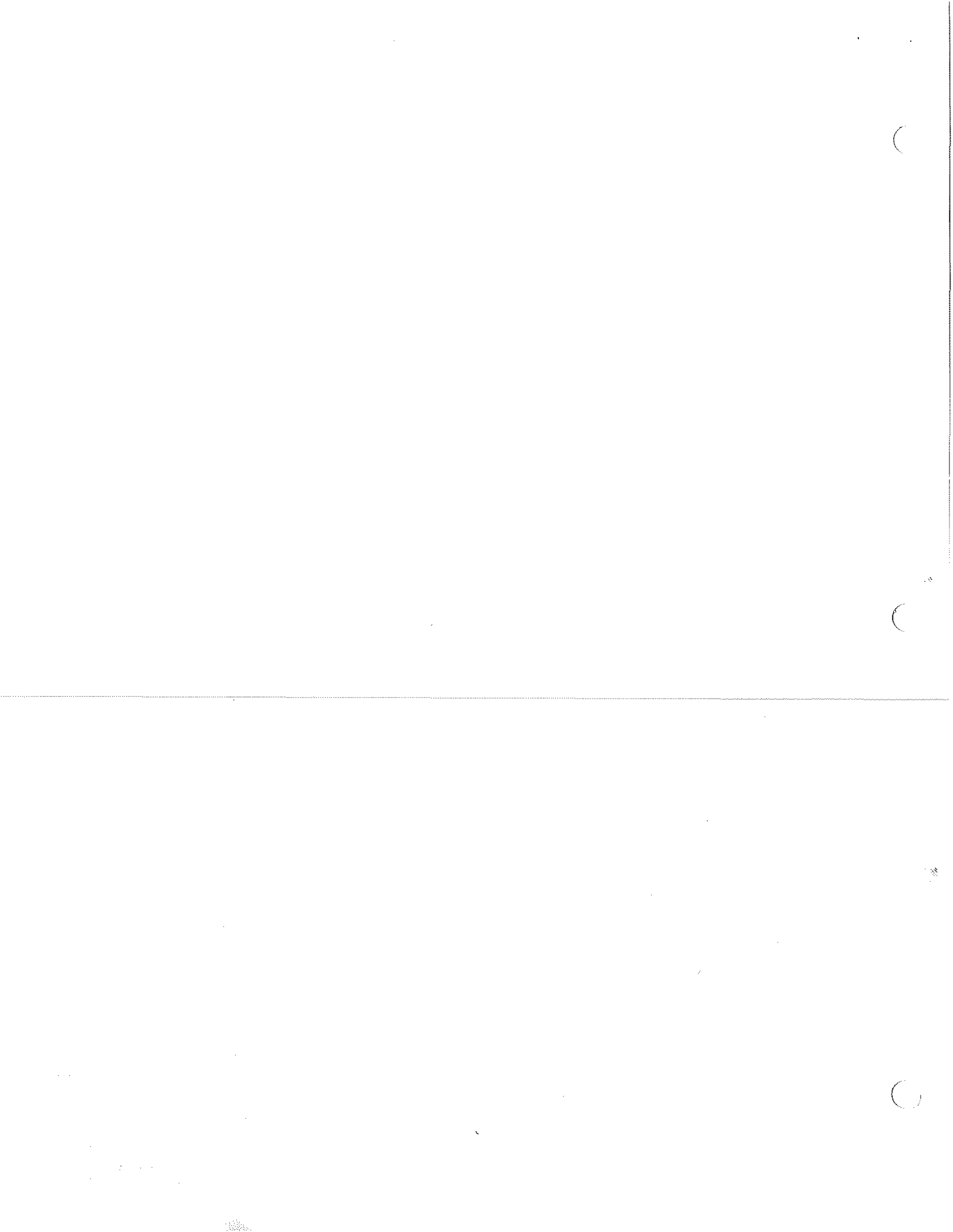


CARBURATOR

HRM

ITEM NO.	DESCRIPTION	QTY	PART. NO.		
			3A		
1	Choke Friction Ball	1	404 0013		
2	Choke Friction Spring	1	404 0014		
3	N Choke Shaft	1	404 0401		
4	N Choke Shutter	1	404 0402		
5	Choke Shutter Ret. Screw	2	404 0304		
6	* Diaphragm	1	404 0032		
7	N Diaphragm Cover	1	404 0403		
8	Diaphragm Gasket	1	404 0030		
9	N Flange Gasket	1	404 0404		
10	Fuel Pump Body	1	404 0189		
11	* Fuel pump Diaphragm	1	404 0190		
12	Fuel Pump Gasket	1	414 0191		
13	Fuel Strainer Cover	1	414 0182		
14	Fuel Strainer Cover Gasket	1	404 0050		
15	Fuel Strainer Cover Ret. Screw	1	404 0052		
16	* Fuel Strainer Screen	1	404 0181		
17	N Idle Mixture Screw	1	404 0405		
18	* Idle Mixture Screw Spring	1	404 0056		
19	* Idle Speed Screw	1	404 0065		
20	Idle Speed Screw Cup	1	404 0158		
21	* Idle Speed Screw Spring	1	404 0067		
22	* Inlet Control Lever	1	404 0070		
23	* Inlet Control Lever Fulcrum Pin	1	404 0072		
24	* Inlet Control Lever Fulcrum Pin Ret. Screw	1	404 0073		
25	N Inlet Needle	1	404 0406		
26	* Inlet Tension Spring	1	404 0081		
27	Inlet Valve Body	1	404 0193		
28	N Inlet Valve Body Ret. Screw	6	404 0407		
29	* Inlet Valve Diaphragm	1	404 0195		
30	Inlet Valve Gasket	1	404 0196		
31	N High Speed Mixture Screw	1	404 0408		
32	* High Speed Mixture Screw Spring	1	404 0068		
33	N Module Body	1	404 0409		
34	N Module Metering Gasket	1	404 0410		
35	N* Nozzle Check Valve	1	404 0411		
36	Throttle Cable Bracket	1	404 0327		
37	Throttle Cable Bracket Ret. Screw	1	404 0265		
38	Throttle Cable Clamp	1	404 0215		
39	Throttle Cable Clamp Ret. Nut	1	404 0217		
40	Throttle Cable Clamp Ret. Screw	1	404 0337		
41	N Throttle Shaft & Lever	1	404 0412		
42	N Throttle Shaft Clip	1	404 0413		
43	N* Throttle Shaft Return Spring	1	404 0419		
44	N Throttle Shutter	1	404 0414		
45	* Throttle Shutter Ret. Screw	2	404 0304		
46	Throttle Wire Ret. Screw	1	404 0220		
47	N Venturi	1	404 0415		
48	N* Gasket Set	1	404 0416		
	N Repair Parts Kit	1	404 0417		
	N Diaphragm & Gasket Set	1	404 0282		

* Indicates Contents of Repair Parts Kit
 (K) Indicates Contents of Diaphragm & Gasket Set



SECTION
AIR INTAKE

Choke Bracket

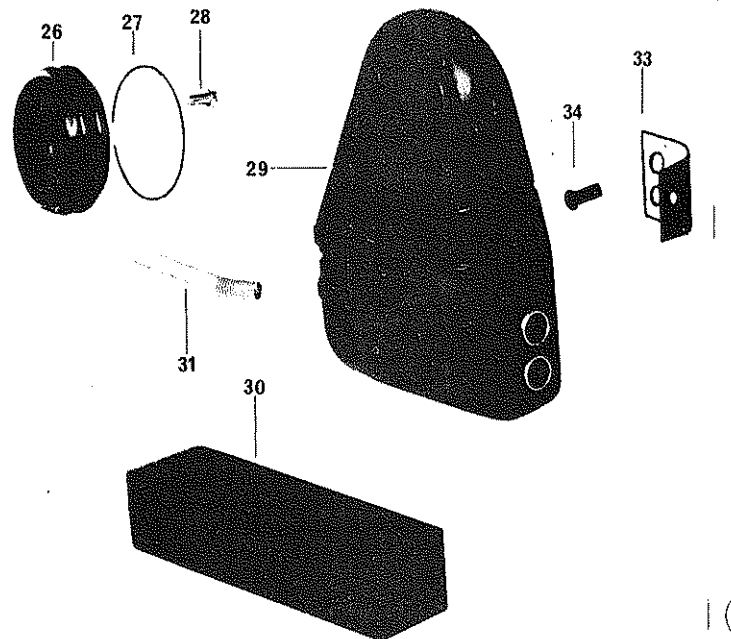
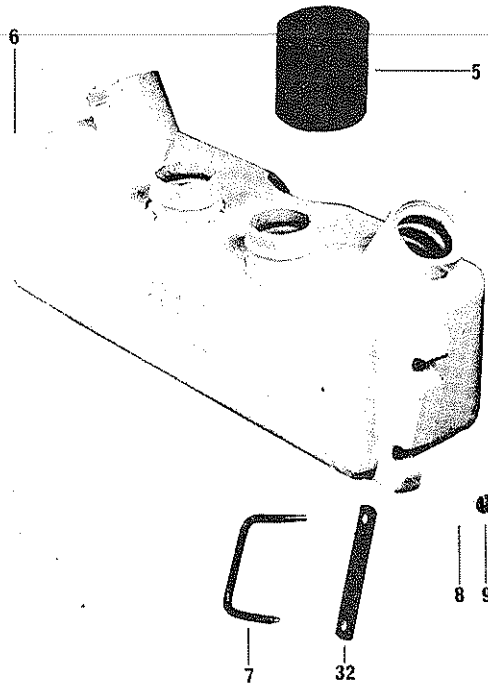
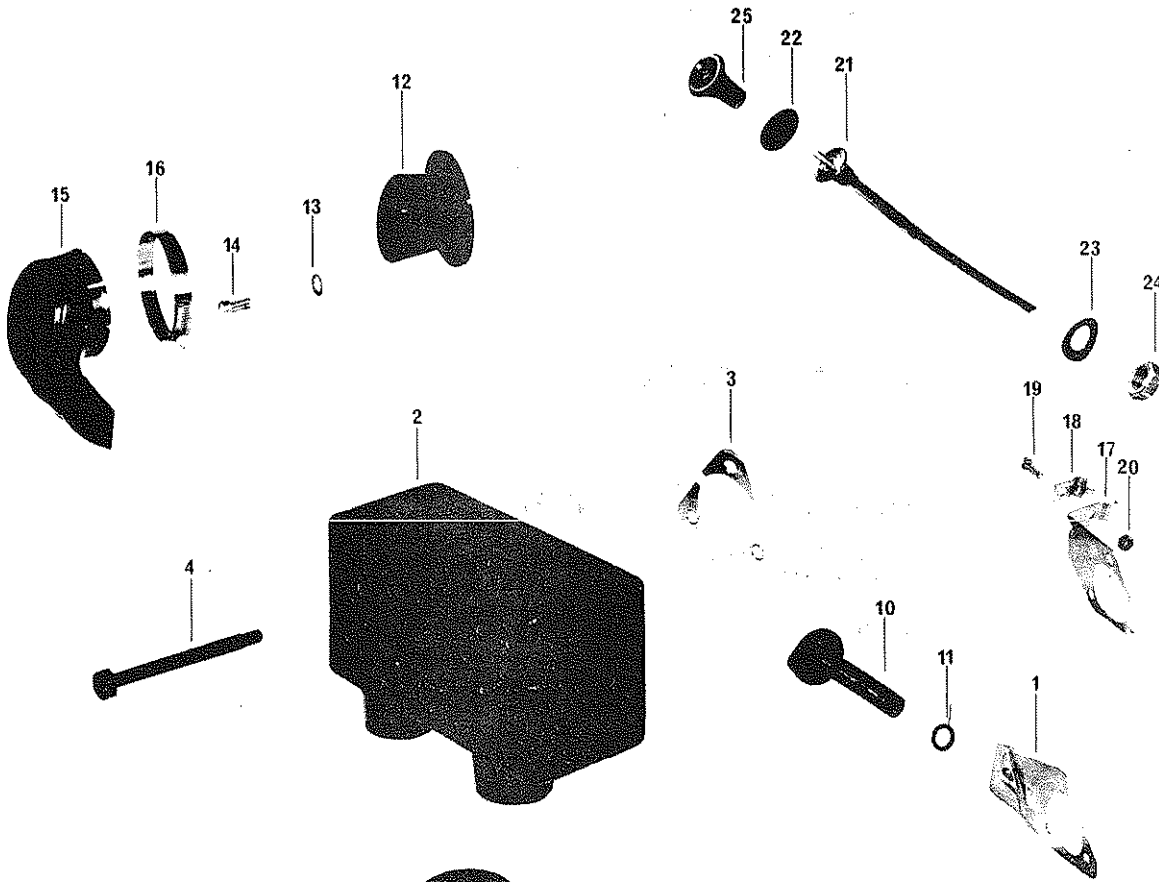
Funnel

Air Intake Silencer

Choke Knob

Choke Control

AIR INTAKE (ELAN)

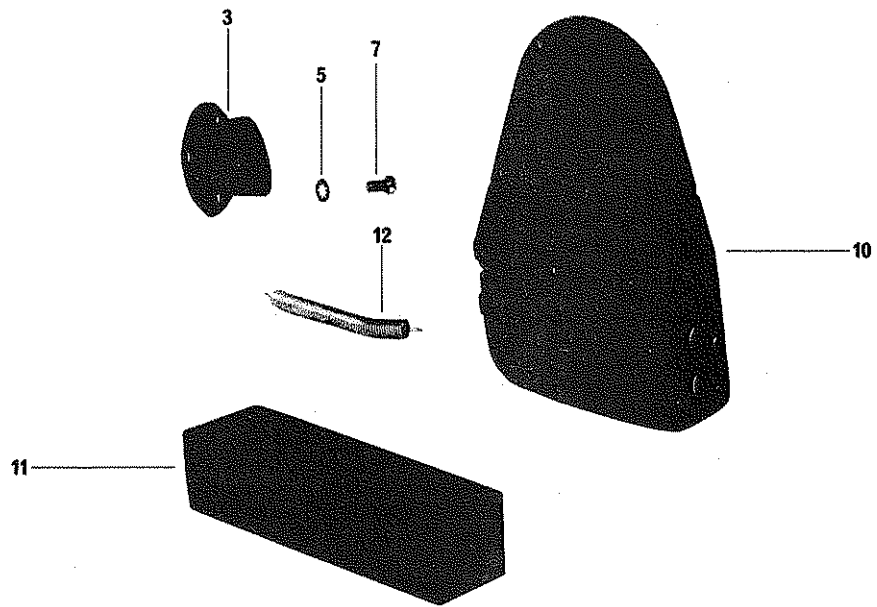
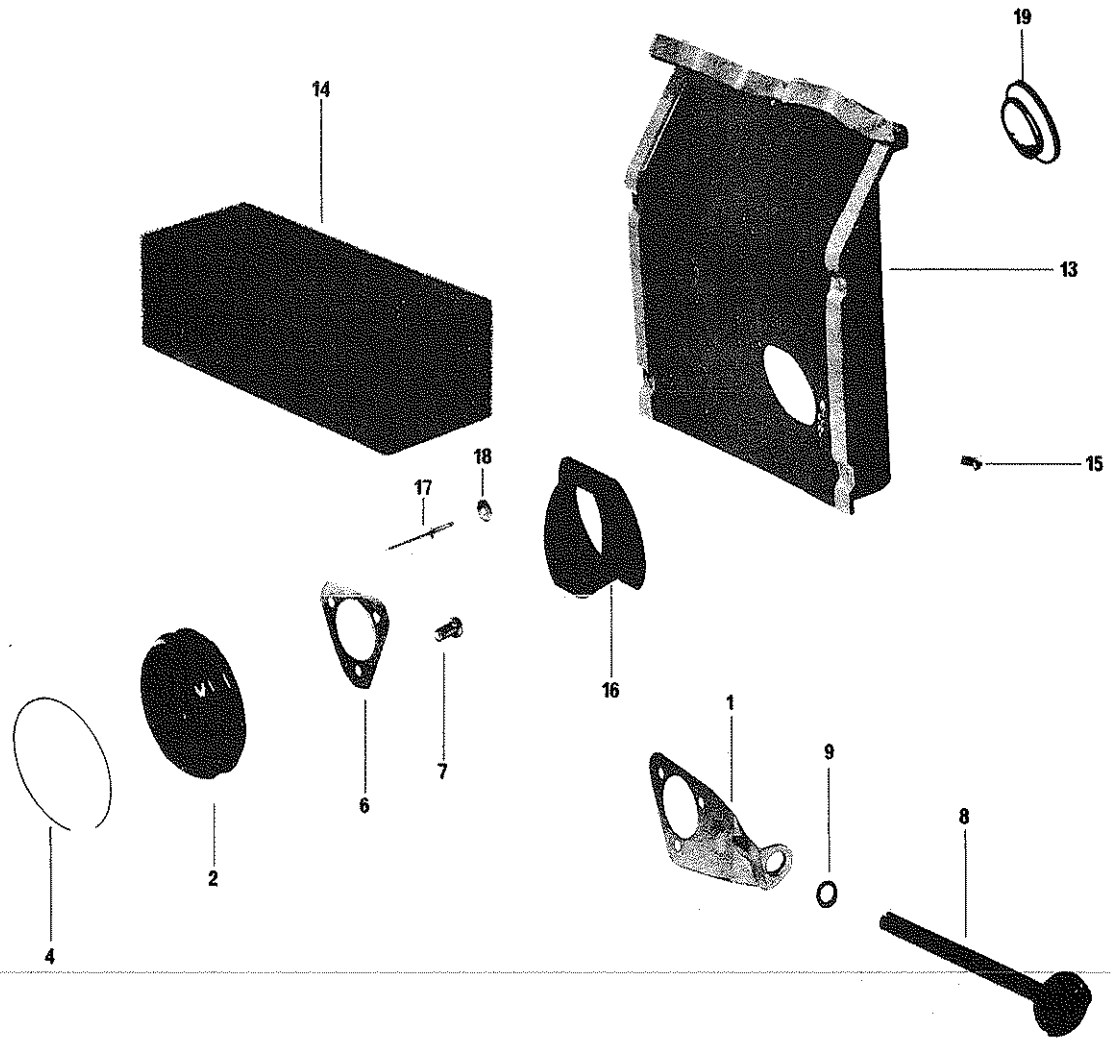


AIR INTAKE (ELAN)
292 (1 Cyl.) in 1972 294 (2 Cyl.) in 1974

1974

ITEM NO.	DESCRIPTION	QUANTITY					PART NO.		
		247	248	249	292	294	1974	1973	1972
1 <input type="checkbox"/>	Choke Bracket	1	1				513 0145	513 0145	513 0095
2	N Air Intake Box	1	1				414 1693		
2 <input type="checkbox"/>	Air Intake Box			1			414 1693	414 1691	
3	Tab Lock	1	1	1		1	513 0140		
3 <input type="checkbox"/>	N Tab Lock (249 in 1973 only)				2	2	513 0200	513 0186	
4 <input type="checkbox"/>	N Screw	3	3	3			300 5010		
4	Screw			6				309 9006	
5 <input type="checkbox"/>	N Rubber Ring		2				570 1319		
5 <input type="checkbox"/>	N Rubber Ring			2			570 1319	570 1317	
6	N Air Intake Silencer		1				414 1695		
6 <input type="checkbox"/>	N Air Intake Silencer			1			414 1695	414 1554	
7 <input type="checkbox"/>	Clamp		2				517 0721		
7 <input type="checkbox"/>	Clamp			2			517 0721	517 0623	
8 <input type="checkbox"/>	Washer		4	4			399 9018		
9 <input type="checkbox"/>	Nut		4	4			386 9002		
9 <input type="checkbox"/>	Nut			4				386 6013	
10 <input type="checkbox"/>	Choke Knob	1					570 1307	570 1304	572 1742
10 <input type="checkbox"/>	N Choke Knob (249 in 1973 only)		1				570 1318	570 1307	
	Cap				1				572 1783
11	"O" Ring	1	1				414 1088	414 1088	414 1088
	Screw				1				365 9002
12	Funnel	1	1					572 1303	572 1303
12	Funnel				1				572 1309
13	Washer	3	3		3			399 8010	399 8010
14	Screw	3	3		3			337 7100	337 7100
15	Air Intake				1				572 1201
16	Clamp				1				108 8009
17 <input type="checkbox"/>	Choke Bracket (249 in 1973 only)			1		1	517 0387	517 0387	
18 <input type="checkbox"/>	Bracket (249 in 1973 only)			1		1	517 0414	517 0414	
19 <input type="checkbox"/>	N Screw (249 in 1973 only)			1		1	309 9011	309 8034	
20 <input type="checkbox"/>	Nut (249 in 1973 only)			1		1	386 9002	386 6013	
21 <input type="checkbox"/>	N Choke Control (249 in 1973 only)			1		1	414 1923	414 1530	
22 <input type="checkbox"/>	Choke Boot (249 in 1973 only)			1		1	570 1311	570 1311	
23 <input type="checkbox"/>	Washer (249 in 1973 only)			1		1	504 0015	504 0015	
24 <input type="checkbox"/>	Nut (249 in 1973 only)			1		1	389 8040	389 8040	
25 <input type="checkbox"/>	Choke Knob (249 in 1973 only)			1		1	572 2725	572 2725	
26 <input type="checkbox"/>	Silencer Coupler					1	570 1306		
27 <input type="checkbox"/>	Extension Ring					1	414 1479		
28 <input type="checkbox"/>	Screw					3	300 5001		
29 <input type="checkbox"/>	Air Intake Silencer					1	414 1250		
30 <input type="checkbox"/>	Filter Foam					1	414 1323		
31 <input type="checkbox"/>	Spring					1	414 1259		
32 <input type="checkbox"/>	N Plate		2	2			517 0720		
33 <input type="checkbox"/>	N Bracket					3	517 0786		
34 <input type="checkbox"/>	N Rivet					6	390 2008		

AIR INTAKE (OLYMPIQUE)

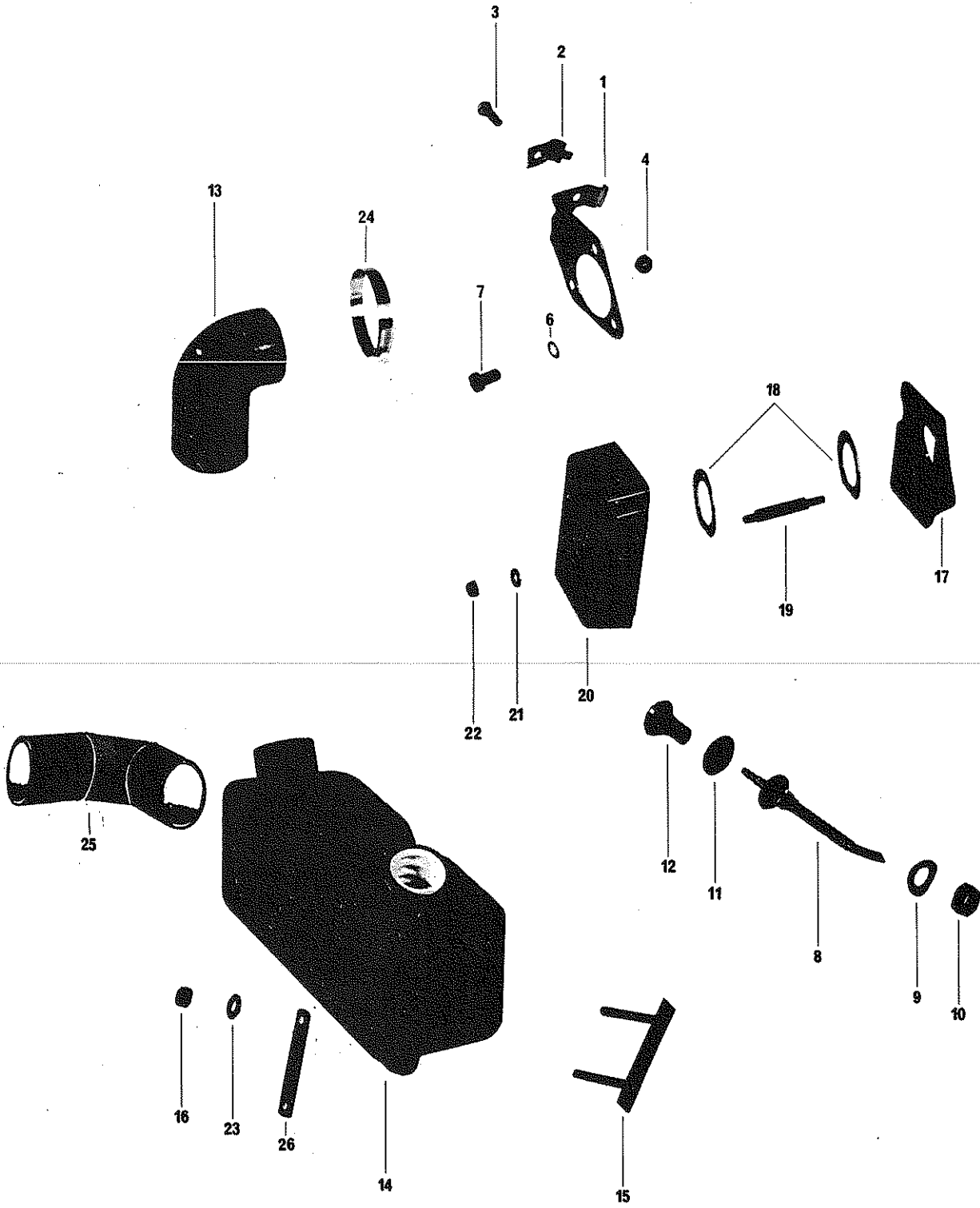


AIR INTAKE (OLYMPIQUE)
In 1974 - 302-338-401

1974

ITEM NO.	DESCRIPTION	QUANTITY					PART NO.		
		302	337	338	401	434	1974	1973	1972
1	Choke Bracket	1	1				513 0145	513 0145	513 0095
2	Silencer Coupler	1	1			1	570 1305	570 1305	
2	Silencer Coupler			1	1		570 1306	570 1306	
3	Funnel	1	1				572 1303	572 1303	572 1303
	Funnel				1				572 1303
4	Expension Ring			1	1		414 1479	414 1479	
5	Washer	3	3				399 8010	399 8010	399 8010
6	Tab Lock			1	1	1	513 0140	513 0140	399 8010
7	Screw	3	3				337 7101	337 7101	337 7100
7	Screw			3	3	3	300 5000	300 5000	337 7100
8	Choke Knob	1	1				570 1307	570 1307	572 1306
8	Choke Knob			1	1		572 1321	572 1321	572 1307
8	Choke Knob					1		572 1203	
9	"O" Ring	1	1	1	1	1	414 1088	414 1088	414 1088
10 <input type="checkbox"/>	Air Intake Silencer	1	1				414 1250	414 1250	
11	Filter Foam	1	1				414 1323	414 1323	
12	Spring	1	1				414 1259	414 1259	
13	Intake Box			1	1	1	572 2754	572 2754	
14	Filter Foam			1	1	1	414 1384	414 1384	
15	Screw			7	7	7	321 7060	321 7060	
16	Funnel			1	1	1	572 0610	572 0610	
17	Rivet			4	4	4	390 9018	390 9018	
18	Washer			4	4	4	399 9015	399 9015	
19 <input type="checkbox"/>	Plug			2	2		572 2746	572 2746	

AIR INTAKE (NORDIC)

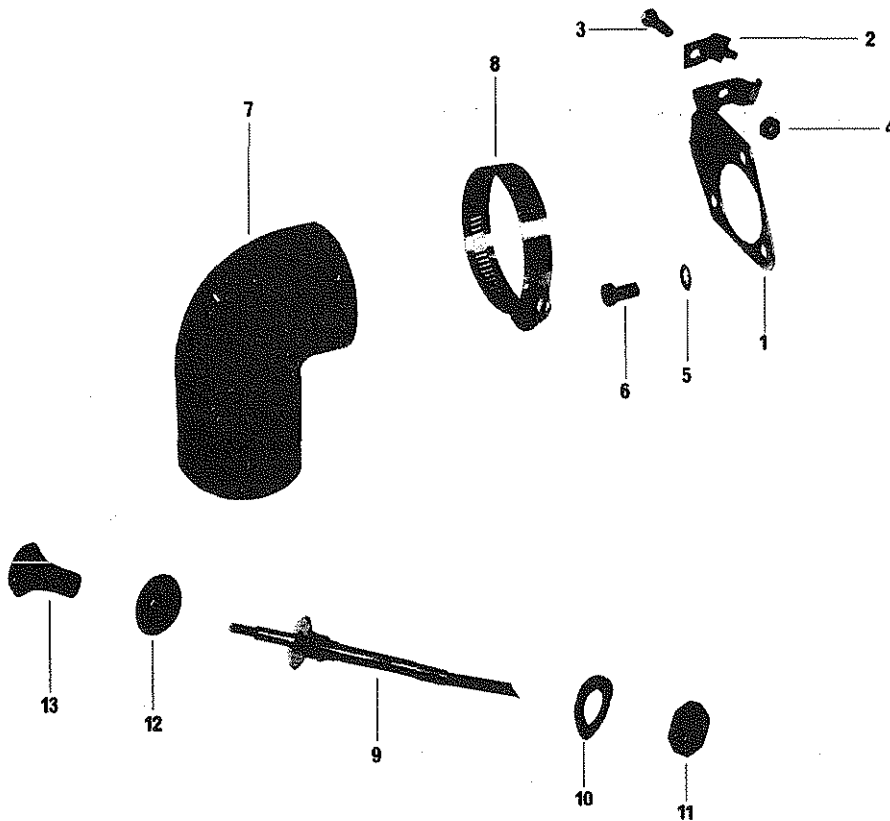


AIR INTAKE (NORDIC)
399 in 1971 Only 434 in 1972 Only

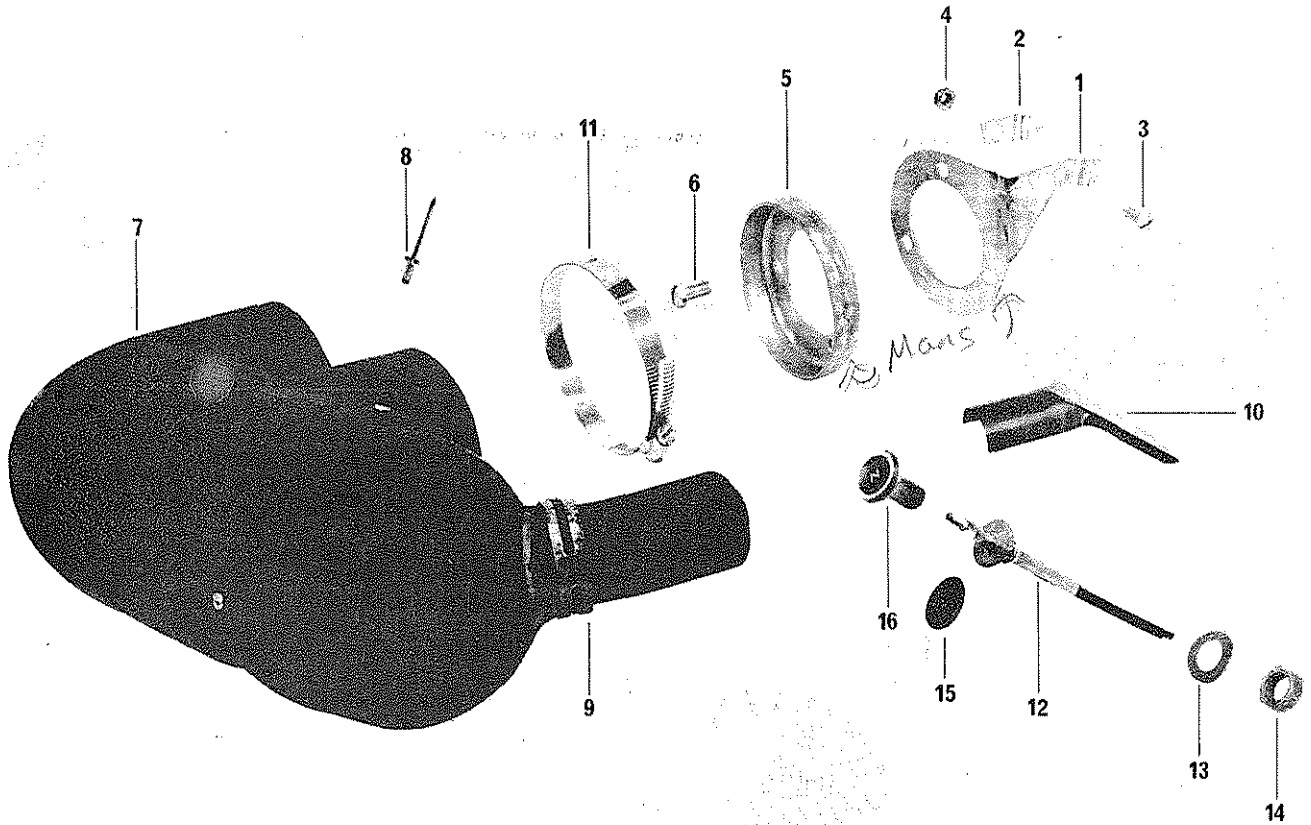
1974

ITEM NO.	DESCRIPTION	QUANTITY		PART NO.		
		434	640	1974	1973	1972
1	Choke Bracket		1	513 0153	513 0153	517 0388
	Choke Bracket	1				517 0387
2	Bracket	1	1	517 0414	517 0414	517 0414
3	Screw	1	1	309 8034	309 8034	309 8034
4	Nut	1	1	386 6013	386 6013	386 6013
6	Washer		3	399 9071	399 9071	
7	Screw		3	337 7100	337 7100	
8	N Choke Control	1	1	414 1925	414 1487	414 0888
9	Washer	1	1	504 0015	504 0015	504 0015
10	Nut	1	1	389 8040	389 8040	389 8040
11	Choke Boot		1	570 1311	570 1311	
12	Choke Knob	1	1	572 2725	572 2725	572 1778
13	<input type="checkbox"/> N Air Intake Conduct		1	570 1309	570 1309	
14	Air Intake Silencer		1	414 1423	414 1423	
15	<input type="checkbox"/> "U" Clamp		2	517 0721	517 0623	
16	<input type="checkbox"/> Nut		4	386 9002	386 6013	
17	Intake Silencer Inner Half	1				572 2709
17	Intake Silencer Inner Half		1			572 2711
18	Funnel Plate	2				512 0039
18	Funnel Plate		2			512 0043
19	Collar Stud	3				512 0125
19	Collar Stud		3			512 0141
20	Intake Silencer Outer Half	1				561 2006
20	Intake Silencer Outer Half		1			572 2710
21	Washer	3	3			399 9015
22	Nut	3	3			386 6119
23	Washer		4	399 9018	399 9018	
24	<input type="checkbox"/> Clamp		1	408 8015		
25	<input type="checkbox"/> N Elbow		1	561 3016		
26	<input type="checkbox"/> Plate		2	517 0720		

AIR INTAKE (VALMONT - ALPINE)
In 1974 Alpine 434ER - 640ER Only

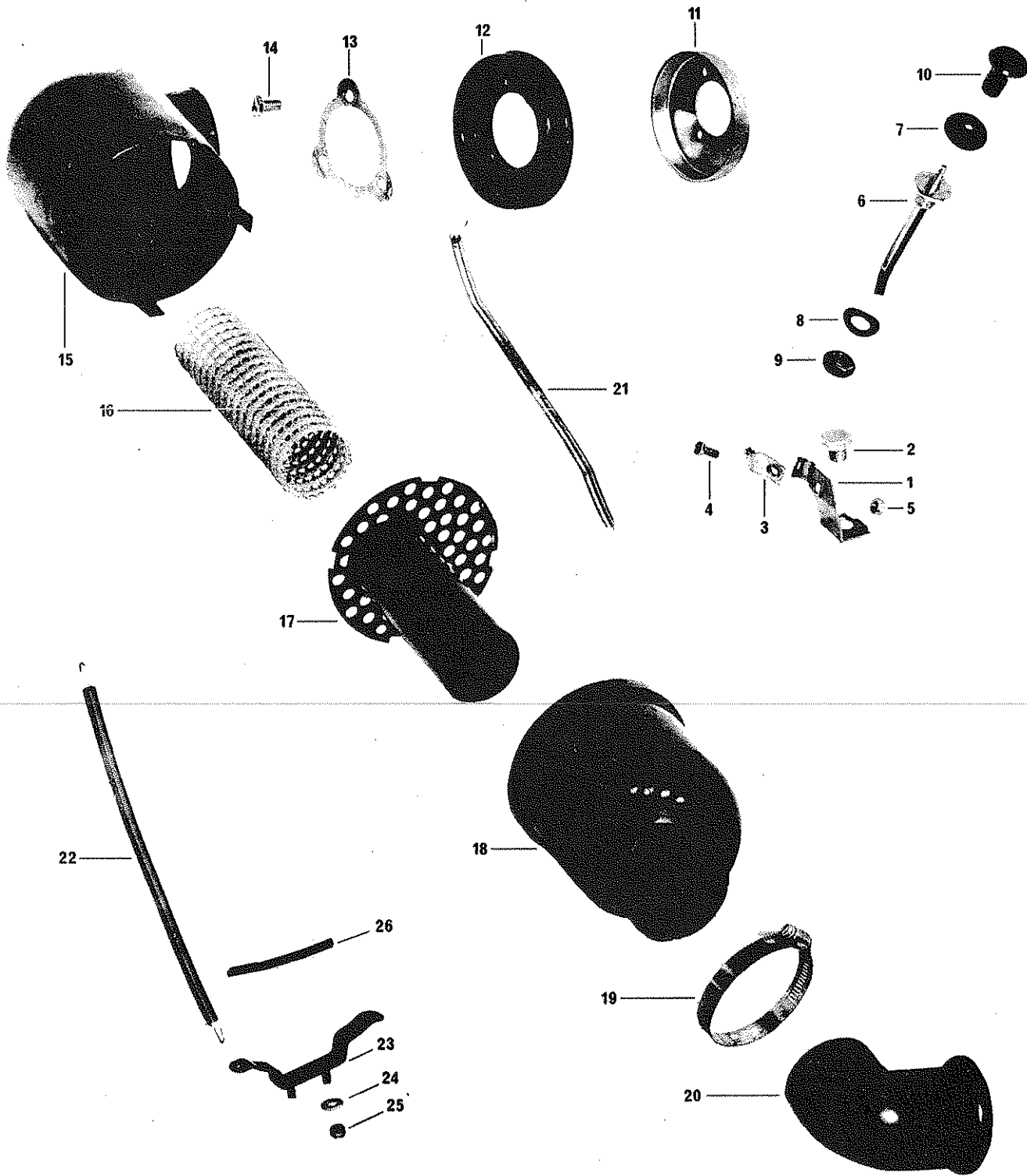


ITEM NO.	DESCRIPTION	QUANTITY			PART NO.		
		V434	A434	A640	1974	1973	1972
1	Choke Bracket	1	1		513 0157	513 0157	517 0387
1	Choke Bracket			1	513 0153	513 0153	
2	Bracket	1	1	1	517 0414	517 0414	517 0414
3	Screw	1	1	1	309 8034	309 8034	309 8034
4	Nut	1	1	1	386 6013	386 6013	386 6013
5 <input type="checkbox"/>	Washer	3	3		399 8010	399 8010	
5 <input type="checkbox"/>	Washer			3	399 9071		
6	Screw	3	3	3	337 7100	337 7100	337 7100
7	Air Intake Conduct	1	1	1	570 1314	570 1314	
	Air Intake Silencer	1	1				414 0465
	Air Intake Silencer			1			414 0397
8	Hose Clamp	1	1	1	408 8007	408 8007	
9	N Choke Control	1	1	1	414 1924	414 1486	414 0888
10	Washer	1	1	1	504 0015	504 0015	504 0015
11	Nut	1	1	1	389 8040	389 8040	389 8040
12	Choke Boot	1	1	1	570 1311	570 1311	
13	Choke Knob	1	1	1	572 2725	572 2725	572 1778



ITEM NO.	DESCRIPTION	QUANTITY			PART. NO.		
		346	396	436	1974	1973	1972
1	Choke Bracket	1			512 0169	512 0169	
1	Choke Bracket		1		512 0170	512 0170	
1	Choke Bracket			1	512 0388		
2	Bracket	1	1	1	517 0414	517 0414	
3	N Screw	1	1	1	309 9011	309 8034	
4	Nut	1	1	1	386 9002	386 6013	
5	N Intake Silencer Flange	2			512 0192	512 0171	
5	Intake Silencer Flange		2	2	512 0172	512 0172	
6	Screw	6	6	6	561 2018	561 2018	
7	Air Intake Silencer	1	1	1	580 0835	580 0835	
8	Rivet	2	2	2		390 4039	
8	Rivet	4	4	4	390 4040	390 4040	
9	Gear Clamp	2	2	2	408 8019	408 8015	
10	N Air Deflector	1	1	1	512 0199		
11	N Gear Clamp	2	2	2	408 8018	408 8014	
12	N Choke Control	1	1	1	414 1927	414 1489	
13	Washer	1	1	1	504 0015	504 0015	
14	Nut	1	1	1	389 8040	389 8040	
15	Choke Boot	1	1	1	570 1311	570 1311	
16	Choke Knob	1	1	1	572 2725	572 2725	

AIR INTAKE (T'NT - EVEREST)

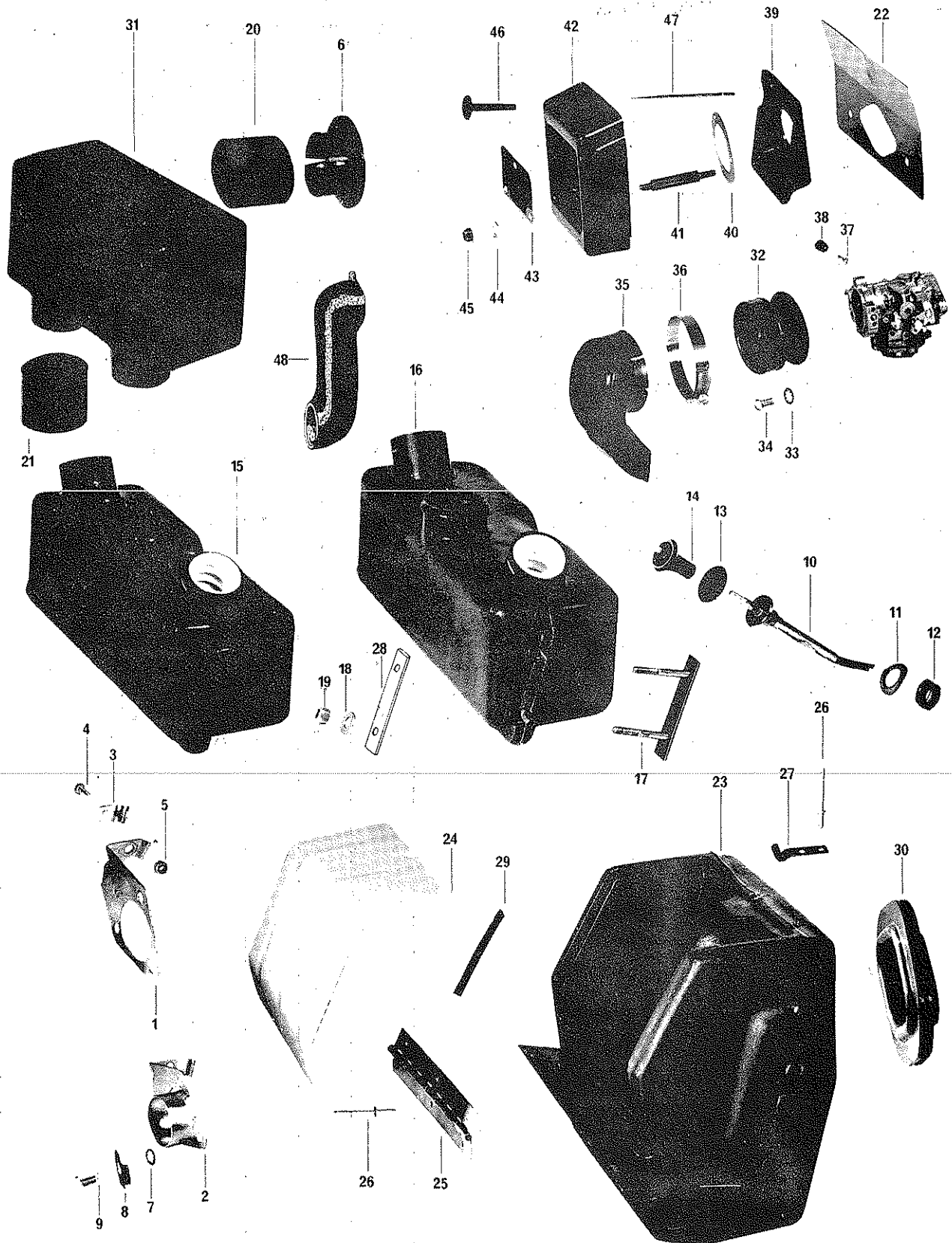


AIR INTAKE (T'NT - EVEREST)

1974

ITEM NO.	DESCRIPTION	QUANTITY				PART. NO.		
		294	343	440	EVT	1974	1973	1972
1□	Choke Bracket	1				517 0387		
1	N Choke Bracket		1	1	1	513 0194		
2	N Screw		1	1	1	512 0189		
3	Bracket	1	1	1	1	517 0414		
4	N Screw	1	1	1	1	309 9011		
5	Nut	1	1	1	1	386 9002		
6	N Choke Control	1	1	1	1	414 1926		
7	Choke Boot	1	1	1	1	570 1311		
8	Washer	1	1	1	1	504 0015		
9	Nut	1	1	1	1	389 8040		
10	Choke Knob	1	1	1	1	572 2725		
11□	Funnel Plate		1	1	1	512 0043		
12□	N Rubber Flange	1				570 1324		
12	N Rubber Flange		1	1	1	570 1323		
13□	Tab Lock	1				513 0140		
13	N Tab Lock		1	1	1	512 0185		
14	Screw	3	3	3	3	300 5001		
15	N Filter Shell	1	1	1	1	572 1324		
16	N Tube	1	1	1	1	414 1725		
17	N Baffle	1	1	1	1	572 1322		
18	N Resonator Shell	1	1	1	1	572 1323		
19	N Clamp	1	1	1	1	408 8017		
20	N Elbow	1	1	1	1	572 1325		
21	N Spring	1	1	1	1	414 2026		
22	Spring	2	2	2	2	414 1259		
23	N Bracket	2	2	2	2	513 0202		
24□	Washer	4	4	4	4	399 9018		
25□	Nut	4	4	4	4	386 9003		
26	Felt Strip (Mult 12")	AR	AR	AR	AR	414 0247		

AIR INTAKE (T'NT)

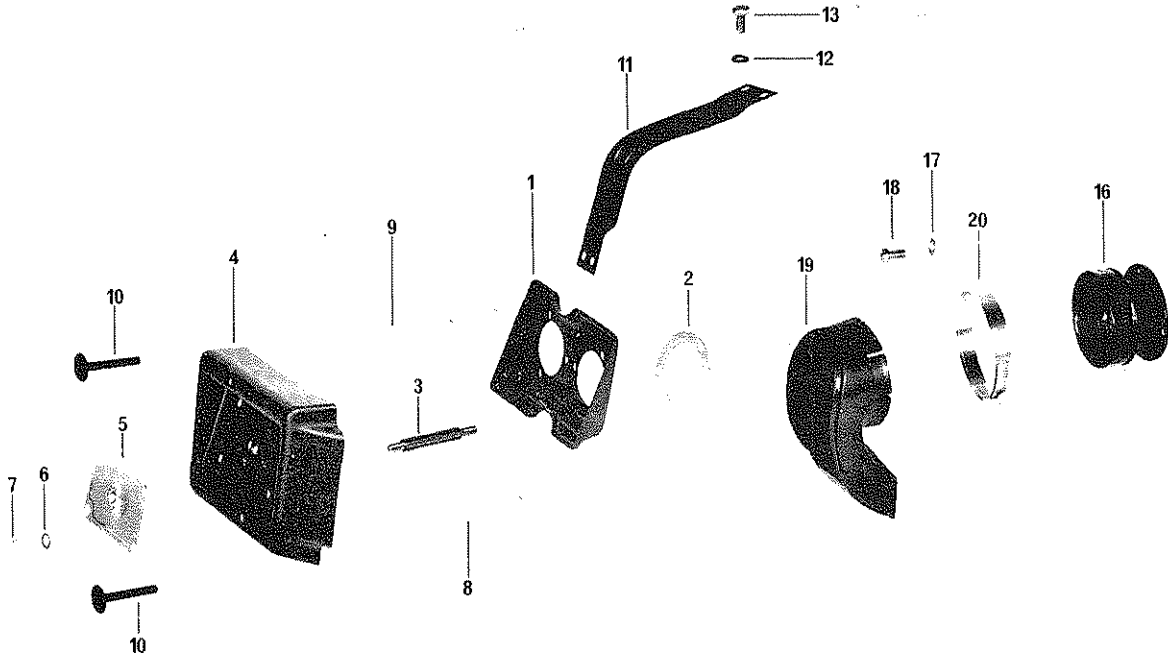


AIR INTAKE (T'NT)

1974

ITEM NO.	DESCRIPTION	QUANTITY			PART NO.	
		294	343	434	1973	1972
1	Choke Bracket	1			517 0387	
2	Choke Bracket		1		570 1226	
2	Choke Bracket			1	517 0388	
3	Bracket	1	1	1	517 0414	
4	Screw	1	1	1	309 8034	
5	Nut	1	1	1	386 6013	
6	Coupler	2			513 0160	
7	Washer	6	3		399 8010	
8	Tab Lock			3	513 0169	
9	Screw	6	3		337 7100	
9	Screw			3	300 5000	
10	Choke Control	1			414 1489	
10	Choke Control		1	1	414 1488	
11	Washer	1	1	1	504 0015	
12	Nut	1	1	1	389 8040	
13	Choke Boot	1	1	1	570 1311	
14	Choke Knob	1	1	1	572 2725	
15	Air Intake Silencer	1			414 1365	
16	Air Intake Silencer		1		414 1423	
17	Clamp	2	2	2	517 0623	
18	Washer	4	4		399 9018	
19	Nut	4	4	4	386 6013	
20	Elbow	2			561 3014	
21	Rubber Ring	2			570 1317	
22	Air Deflector Shield					512 0123
23	Air Intake Silencer			1	414 1366	
24	Door			1	571 1302	
25	Hinge			1	414 1389	
26	Rivet			11	390 4014	
27	Clip			2	513 0168	
28	Plate			2	517 0670	
29	Insulator			2	570 1313	
30	Intake Grommet			1	570 1227	
31	Air Intake Box	1			414 1787	
32	Funnel	1				572 1309
33	Washer	3				399 8010
34	Screw	3				309 8062
35	Air Intake Silencer	1				572 1201
36	Clamp	1				108 8009
37	Screw	1				365 9002
38	Cap	1				572 1783
39	Intake Silencer Inner Half		1	1		572 2711
40	Funnel Plate		2	2		512 0043
41	Collar Stud		3	3		512 0125
42	Intake Silencer Outer half		1	1		572 2710
43	Plate		1	1		414 1097
44	Washer		3	3		399 8010
45	Nut		3	3		389 8062
46	Choke Button		1	1		402 3020
47	Choke Rod		1	1		512 0135
48	Elbow			1	570 1315	

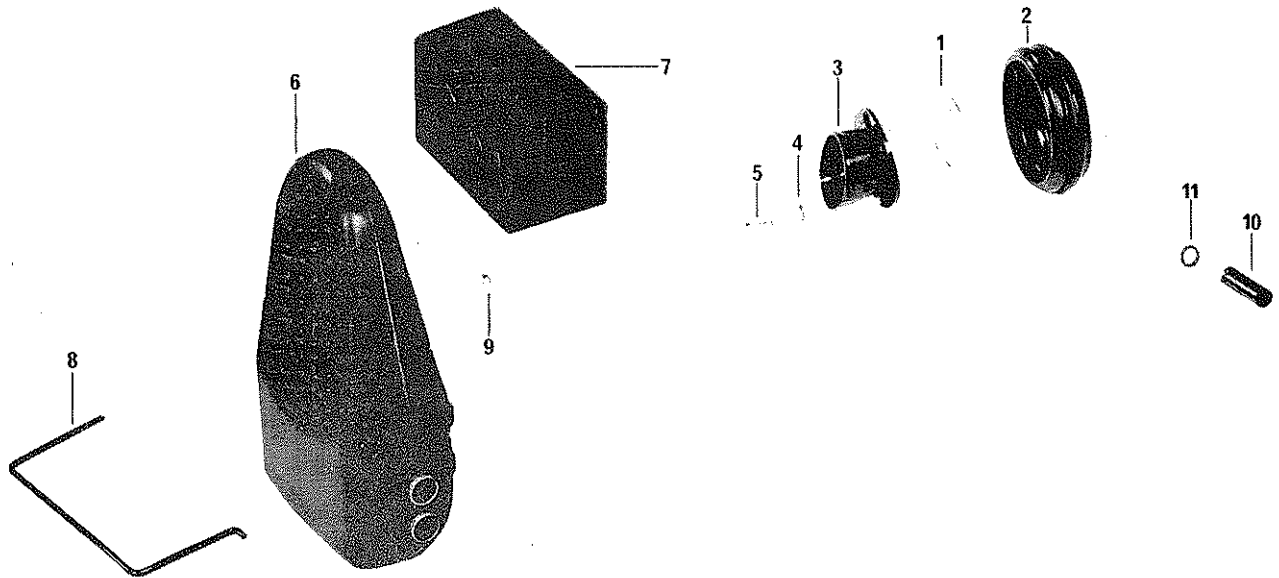
AIR INTAKE (T'NT)



ITEM NO.	DESCRIPTION	QUANTITY			PART NO.	
		400	640	775	1972	
1	Intake Silencer Inner Half		1	1	571 1206	
2	Funnel Plate		4	4	512 0043	
3	Collar Stud		6	6	512.0125	
4	Intake Silencer Outer Half		1	1	571 1205	
5	Plate		1	1	414 1098	
6	Washer		6	6	399 8010	
7	Nut		6	6	389 8062	
8	Choke Rod		1	1	512 0138	
9	Choke Rod		1	1	512 0135	
10	Choke Knob		2	2	402 3020	
11	Intake Support		1	1	512 0163	
12	Washer		2	2	402 0016	
13	Screw		2	2	402 0186	
16	Funnel	2			572 1309	
17	Washer	6			399 8010	
18	Screw	6			309 8062	
19	Air Intake Silencer	2			572 1201	
20	Clamp	2			108 8009	

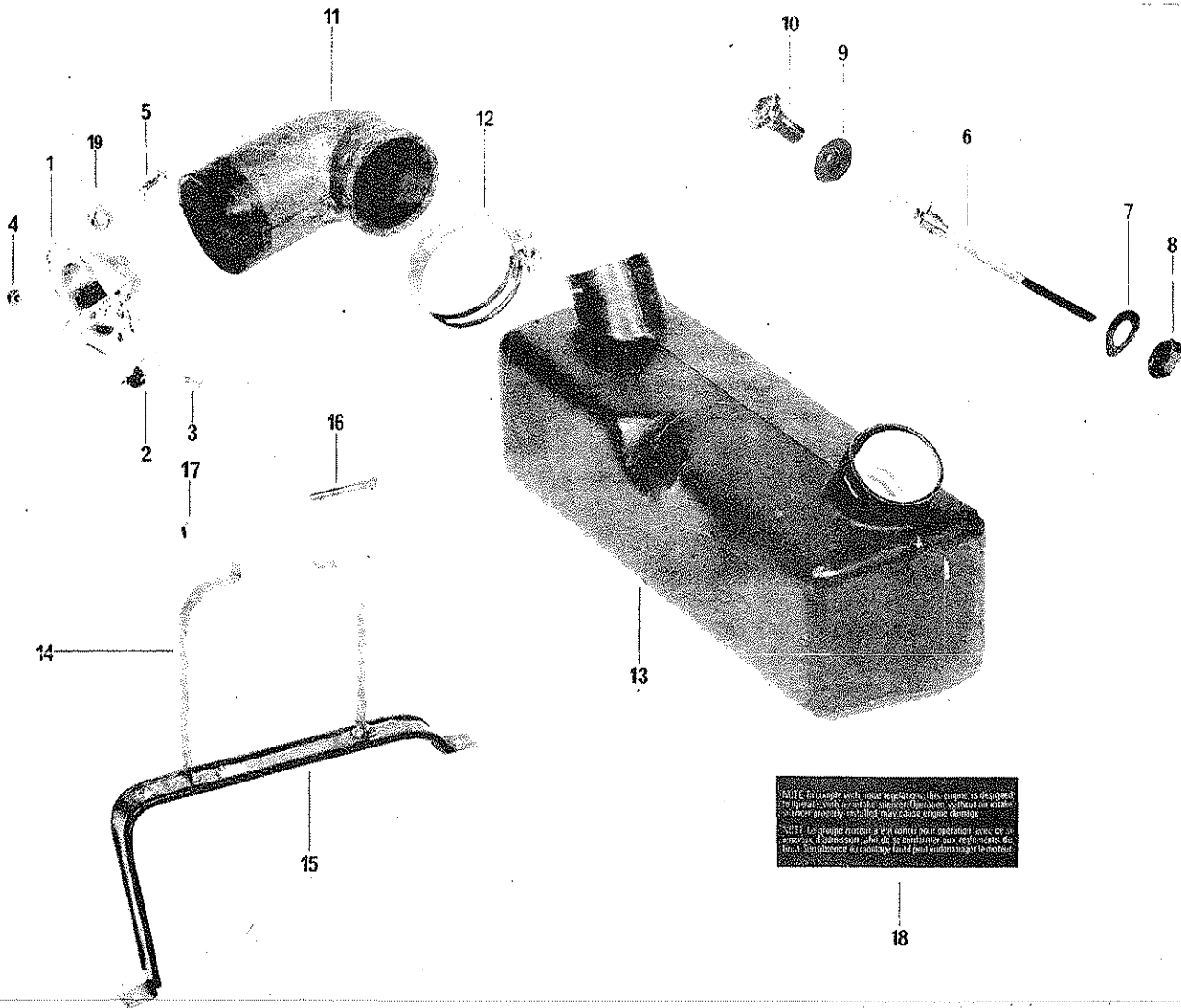
AIR INTAKE (Skandic)

1974



ITEM NO.	DESCRIPTION	QUANTITY		PART NO.	
		337		1973	
1	N Coupler Ring	2		512 0164	
2	N Silencer Coupler	1		570 1306	
3	Funnel	1		572 1303	
4	Washer	3		399 8010	
5	N Screw	3		337 7101	
6	N Air Intake Silencer	1		414 1250	
7	N Filter Foam	1		414 1323	
8	N Silencer Holder	1		517 0650	
9	Nut	1		386 6013	
10	Choke Knob	1		561 3011	
11	"O" Ring	1		414 1088	

AIR INTAKE (ELITE)



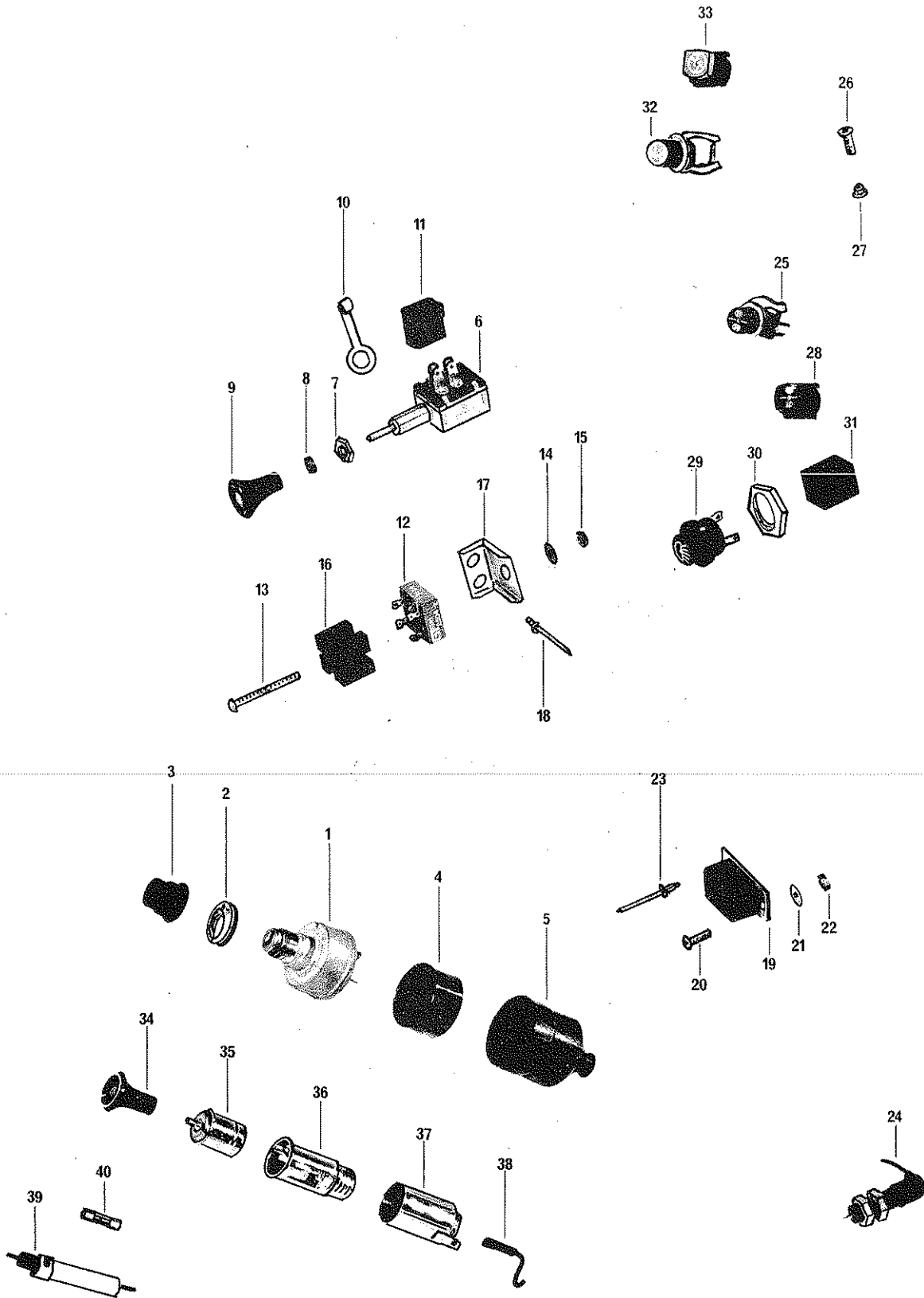
MITE En assembler avec une régulation, le moteur est destiné à fonctionner avec le système silencieux. Fonctionner sans cela peut causer gravement endommager le moteur.
 MITE En assembler avec un contrôleur pour régulation avec ce silencieux. Fonctionner sans cela peut causer gravement endommager le moteur.

ITEM NO.	DESCRIPTION	QTY	PART. NO.	
			1974	1973
1	N Choke Bracket	1	513 0157	513 0153
2	Bracket	1	517 0414	517 0414
3	Screw	1	309 8034	309 8034
4	Nut	1	386 6013	386 6013
5	Screw	3	337 7100	337 7100
6	N Choke Control	1	414 1928	414 1618
7	Washer	1	504 0015	504 0015
8	Nut	1	389 8040	389 8040
9	Choke Boot	1	570 1311	570 1311
10	Choke Knob	1	572 2725	572 2725
11	Air Intake Conduct	1	570 1309	570 1309
12	Clamp	2	408 8016	408 8016
13	Air Intake Silencer	1	414 1555	414 1555
14	N Retaining Strip (Also W/Section Fuel)	1	513 0204	513 0184
15	Protector Strip (Mult 12")	AR	414 1067	414 1067
16	Screw	1	320 1067	320 1065
17	Nut	1	386 6013	386 6013
18	Air Silencer Label	1	414 1615	414 1615
19	Washer	3	399 9071	

SECTION ELECTRICAL

Harness
Ignition Switch
Light Switch
Brake Switch
Dimm. Switch
Kill Switch
Rectifier
Voltage Regulator
Lighter
Battery and Attachment

ELECTRICAL ACCESSORIES



ELECTRICAL ACCESSORIES & WIRES

1974

ITEM NO.	DESCRIPTION	MODELS	PART NO		
			1974	1973	1972
1	Ignition Switch	Elan Manuel-TNT Manuel	410 1025	410 1025	410 1017
1	Ignition Switch	Olym. Manuel-Val-Alp Manuel	410 1025	410 1025	400 1019
1	Ignition Switch	Nordic Manuel TNT 18"			410 1017
1	N Ignition Switch	TNT F.A.	410 1034		
1	Ignition Switch	Elite	410 1027	410 1027	
1	Ignition Switch	Elan Elect.-TNT Elect.	410 1026	410 1026	410 1020
1	Ignition Switch	Olym. Electric		410 1026	410 1009
1	N Ignition Switch	Nordic Electric	410 1031	410 1027	410 1020
1	Ignition Switch	Alpine Electric	410 1026	410 1026	410 1026
1	Ignition Switch	Valmont Electric		410 1026	410 1026
2	Face Nut	All Ignition Switch	410 1008	410 1008	410 1008
3	Switch Boot	All Ignition Switch	670 1503	670 1503	670 1503
4	Switch Block	All Ignition Switch	572 1507	572 1507	572 1507
5	Switch Protector	Olym.-Nord.-Val.-Alp. Elect			570 1507
6	Light Switch	Olym.-Val.-Alp.			410 1016
6	Light Switch	Nordic-Elite	410 1030	410 1030	
6	Light Switch	TNT F.A.	410 1016	410 1016	
7	Face Nut	All Light Switch	410 1018	410 1018	
8	Nut	Nordic-Elite	385 5013	385 5013	
9	Knob	All light Switch	572 2782	572 2782	572 1758
10	Block Holder	TNT F.A.	515 0431	515 0431	
10	Block Holder	All Light Switch		515 0431	515 0431
11	Light Switch Block	TNT F.A.	410 9035	410 9035	
11	Light Switch Block	Nordic-Elite	572 1512	572 1512	
11	Light Switch Block	Olym.-Val.-Alp.			410 9035
12	Rectifier	All Electric Models	410 9055	410 9055	410 9055
13	Screw	All Elect. Except Elan-TNT	320 1063	320 1063	320 9063
13	Screw	Elan-TNT	321 7064	320 1067	320 9063
14	Washer	Elan	399 9018		
15	Nut	All Elect. Except Elan-TNT	386 6013	386 6013	386 6013
15	Nut	Elan-TNT	386 9002	386 6013	386 6013
16	Rectifier Block	All Rectifier	572 1505	572 1505	572 1505
17	Bracket	Elan		517 0474	517 0474
18	Rivet	Elan		390 4022	390 4022
19	Voltage Regulator	All 2 Cyl. Manuel	410 9063	410 9063	
20	Screw (2)	Olym.-Alp.	320 1061	320 1061	
20	Screw 1/2"L (1)	Elan	321 7061	320 1061	
20	Screw 3/4"L (1)	Elan	321 7063	320 1061	
20	Screw 1/2"L	TNT 294-343-440	321 7061	320 1061	
20	Screw 3/4"L	TNT 294-343	321 7063	320 1063	
20	Screw 3/4"L (1" in 73)	TNT 440	321 7063	320 1064	
21	Washer (4)	All	399 8028	399 8028	
22	Nut	Olym.-Alp.	386 6013	386 6013	
22	Nut	Elan (For Screw 1/2"L)	386 9002	386 6013	
22	Nut	Elan (For Screw(3/4"L)	385 5013	386 6013	
22	Nut (2)	TNT 294-343	386 9002	386 6013	
22	Nut (1)	TNT 294-343	385 8013	385 5013	
22	Nut (2)	TNT 440	386 9002	386 6013	
22	Nut (1)	TNT 440	385 8013	385 5013	
23	Rivet (2)	TNT F.A.	390 4036	390 4036	
24	Brake Switch	Elan-Olym.-Alp. Val 434	414 1222	414 1222	
24	Brake Switch	Alp-640-Elite	414 1422	414 1422	
24	N Brake Switch	TNT	410 1033	414 1222	

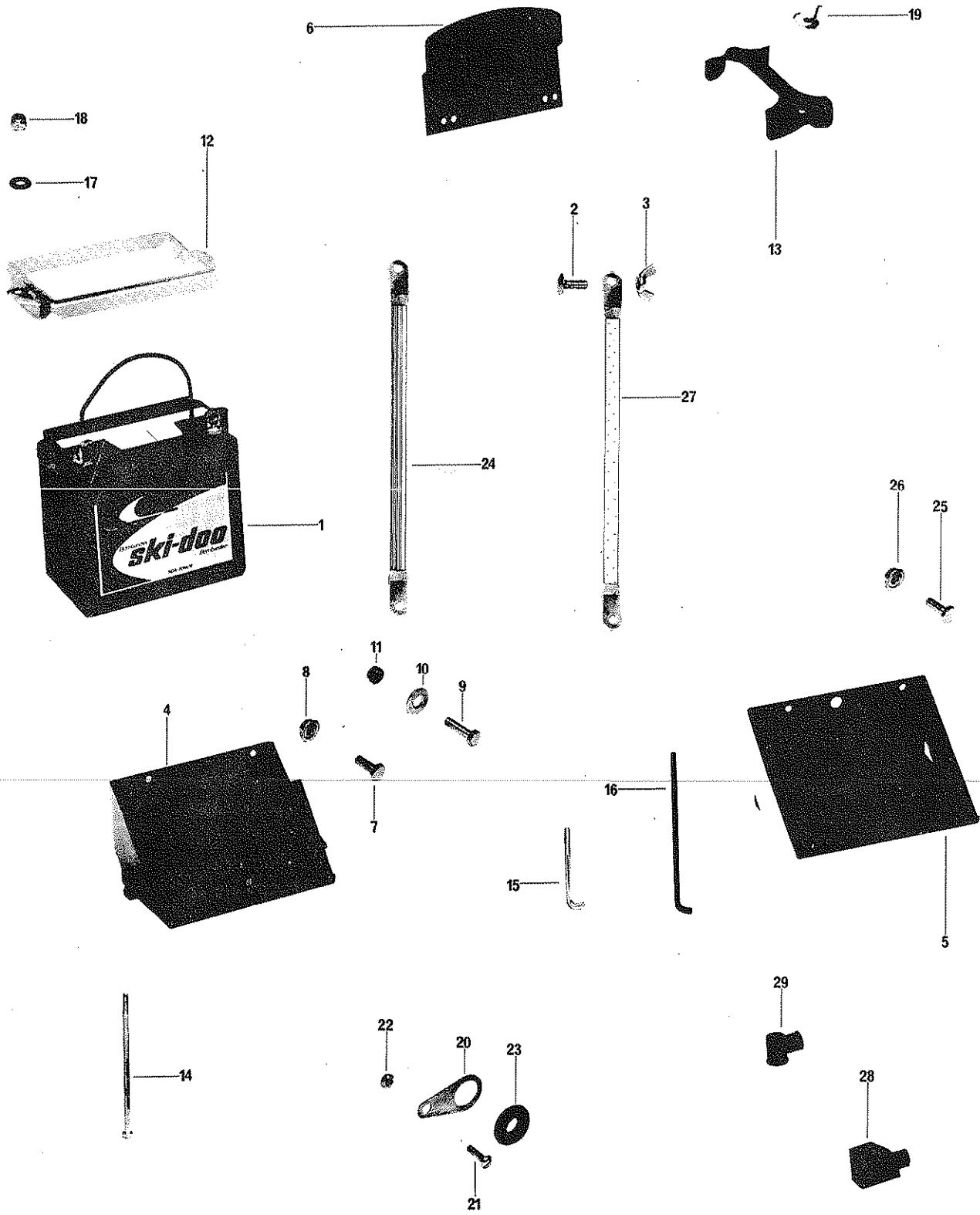
ELECTRICAL ACCESSORIES & WIRES

ITEM NO	DESCRIPTION	MODELS	PART NO		
			1974	1973	1972
24	N Brake Switch	Nordic	410 1033	414 1422	
24	N Brake Switch	TNT F.A.	410 1033		
24	Brake Switch	TNT F.A. (Hydrolic Brake		414 1544	
25	Dimmer Switch	Elan-Olym-Val-Alp	410 1029	410 1029	
26	Screw	Dimmer Switch-Kill Switch	345 7060	345 7060	
27	Nut	Dimmer Switch-Kill Switch	389 8068	389 8068	
28	Dimmer Switch	Nordic-TNT-Elite	414 1319	414 1319	
28	Dimmer Switch	TNT F.A.	414 1319	410 1029	
29	Dimmer Switch	Nordic			410 1023
30	Face Nut	Nordic			410 1024
31	Block	Nordic			572 1508
32	Kill Switch	Elan-Olym-Val-Alp	410 1028	410 1028	
32	Kill Switch	TNT 15"- 18"			410 1018
33	N Kill Switch	Nordic	410 1032	414 1311	
33	Kill Switch	TNT Elite	414 1311	414 1311	
33	N Kill Switch	TNT F.A.	410 1032	414 1602	
34	Lighter Knob	Olym-Nordic-Val.-Elite	572 2723	572 2723	572 1759
35	Element	Olym-Nordic-Val.-Elite	414 0321	414 0321	414 0321
36	Socket	Olym-Nordic-Val.-Elite	414 1265	414 1265	414 0732
37	Retainer	Olym-Nordic-Val.-Elite	414 0734	414 0734	414 0734
38	Lighter Wire	Olym-Nordic-Val.-Elite	414 1542	414 1542	414 0623
39	Fuse Holder	All Electric Models	410 9065	410 9055	
39	Fuse Holder W/Fuse	Elan-Olym.			410 9056
39	Fuse Holder W/Fuse	Nordic-Val.-Alp.			410 9057
40	Fuse 9 Amp.	Elan-Olym.-Elite	410 9023	410 9023	410 9023
40	Fuse 9 Amp.	Nordic-Val.-Alp.			410 9023
40	Fuse 14 Amp.	Nordic-Val.-Alp.	410 9064	410 9064	
	Wire Red 16 ga			409 6018	409 6018
	Wire Yellow/Red 16 ga			409 6019	409 6019
	Wire Brown 16 ga		409 6020	409 6020	409 6020
	Wire Black 16 ga		409 6021	409 6021	409 6021
	Wire Yellow 16 ga		409 6022	409 6022	409 6022
	Wire Red/white 16 ga			409 6028	409 6028
	Wire Brown/red 14 ga		409 6033	409 6033	409 6033
	Wire Blue 16 ga		409 6042	409 6042	409 6042
	Wire Orange 16 ga		409 6047	409 6047	
	Wire Green/Red 16 ga		409 6048	409 6048	
	Wire Green 16 ga				105 5025
	Wire White 16 ga			109 5030	
	N Wire Grey/Violet 16 ga		409 6052		
	N Wire Grey 16 ga		409 6053		
	N Wire Orange/Black 16 ga		409 6054		
	N Wire Orange/White 16 ga		409 6055		
	N Wire Yellow/Brown 16 ga		409 6056		
	N Wire Yellow/Grey 16 ga		409 6057		
	N Wire Red/Green 16 ga		409 6058		
	N Wire Red/Brown 16 ga		409 6059		
	N Wire Violet/White 16 ga		409 6060		

TERMINALS

Plastic Loom 3/16"  409 9001	Plastic Loom 5/16"  409 9002	Plastic Loom 3/8"  409 9003	Plastic Loom 1/4"  409 9005	Spirap Tubing  410 9040
Receptacle (1 Wire)  409 2014	Receptacle (2 Wires)  409 2024	Receptacle (1 Wire)  409 2033	Receptacle (2 Wires)  409 2034	Receptacle Housing  409 2012
Recept. Housing 2ckt  409 2023	Recept. Housing 3ckt  409 2027	Recept. Housing 4ckt  409 2031	Recept. Housing 6ckt  409 2018	Recept. Housing 8ckt  409 2020
Recept. Housing 8ckt  572 1512	Tab  409 2010	Tab Housing  409 2013	Tab Housing 2ckt  572 1503	Tab Housing 4ckt  409 2030
Tab Housing 6ckt  409 2019	Tab Housing 8ckt  409 2021	Tab Housing 8ckt  572 1513	Socket Contacter  409 0004	Socket Housing 3ckt  409 2028
Pin Contacter  409 0005	Pin Housing 3ckt  409 2029	Joint Contacter  409 9004	Open Barrel  409 0018	Open Barrel  409 0019
Open Barrel  409 0020	Open Barrel  409 0022	Block (Tail Lamp)  572 1508	Butt Splice  409 0024	

BATTERY & ATTACHEMENT



BATTERY & ATTACHMENT

1974

ITEM NO	DESCRIPTION	QUANTITY			PART NO.		
		Elan	Olym.	Nord.	1974	1973	1972
1	Battery	1	1		410 3005	410 3005	410 3002
1	Battery			1	410 3005	410 3005	410 3005
	Battery Cap (For Battery no 410 3002)	6	6				410 3004
	Battery Cap (For Battery no 410 3005)	6	6	6	410 3006	410 3006	410 3006
2	Carriage Bolt (N)	1	1	2	360 5020	360 5020	360 5020
2	Carriage Bolt (P)	1	1		360 5020	360 5020	360 5050
3	Wing Nut (N)	1	1	2	386 4019	386 4019	386 4019
3	Wing Nut (P)	1	1		386 4019	386 4019	386 4022
4	Battery Rack		1			515 0255	515 0255
5	Battery Rack			1	515 0353	515 0353	515 0353
6	Baffle		1			515 0559	
7	Screw		2	2	300 1001	300 1001	300 1001
8	Nut (Ground)		1	1	389 8053	389 8053	389 8053
8	Nut		1	1	386 6019	386 6019	386 6019
9	Screw		2			300 1000	300 1000
9	Screw			2	300 1000	300 1000	300 1001
10	Washer		2	2	399 9015	399 9015	399 9015
11	Nut		2	2	386 6019	386 6019	386 6019
12	Battery Cover	1	1		515 0511	515 0511	515 0256
13	Battery Cover			1	515 0352	515 0352	515 0352
14	Retainer Rod	2			515 0292	515 0292	515 0292
14	Retainer Screw		2			300 0022	300 0022
15	Retainer Screw			1	515 0350	515 0350	515 0350
16	Retainer Screw			1	515 0351	515 0351	515 0351
17	Washer	2			399 9015	399 9015	399 9015
18	Nut	2	2		386 9003	386 6019	386 6019
19	Wing Nut			2	386 1019	386 1019	386 1019
20	Bracket		1	1	512 0147	512 0147	
21	Screw		1	1	320 1063	386 1063	
22	Nut		1	1	386 6013	386 6013	
23	Grommet		1	1	570 1794	570 1794	
24	Ground Wire	1			409 6034	409 6034	409 6037
24	Ground Wire		1	1	409 6034	409 6034	409 6034
25	Screw	1			300 5001	300 1000	300 1000
26	Nut	1			389 9026	389 6019	386 6019
27	Current Wire	1			409 6040	409 6040	409 6040
27	Current Wire (Olym 335)		1				409 6040
27	Current Wire (Olym 338-401)		1			409 6043	409 6044
27	Current Wire			1	409 6044	409 6044	409 6044
28	Protection Cap	1	1	1	570 1505	570 1505	570 1505
29	Protection Cap			1	570 1508	570 1508	

N.B. Battery no 410 3002 & his Cover
 No 515 0256, Could be Replaced by
 Battery no. 410 3005 & his Cover
 no 515 0511

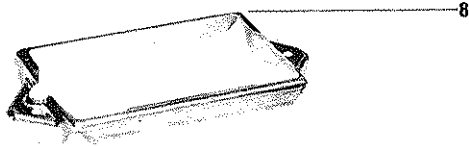
BATTERY & ATTACHEMENT
ALMONT IN 73-72 SAME AS ALP, T'NT IN 74 ONLY



11



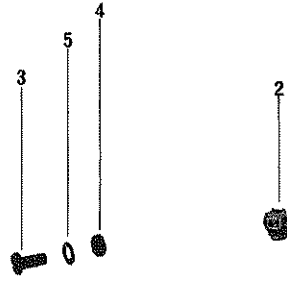
10



8



1

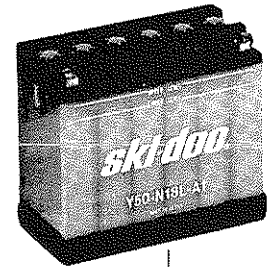


3

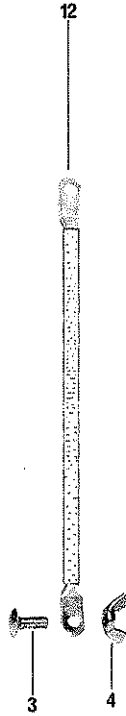
5

4

2



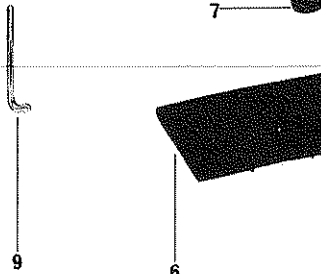
1



12

3

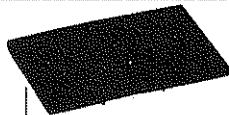
4



9



7



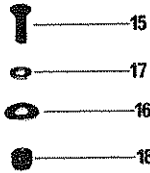
6



14



13 a



15

17

16

18

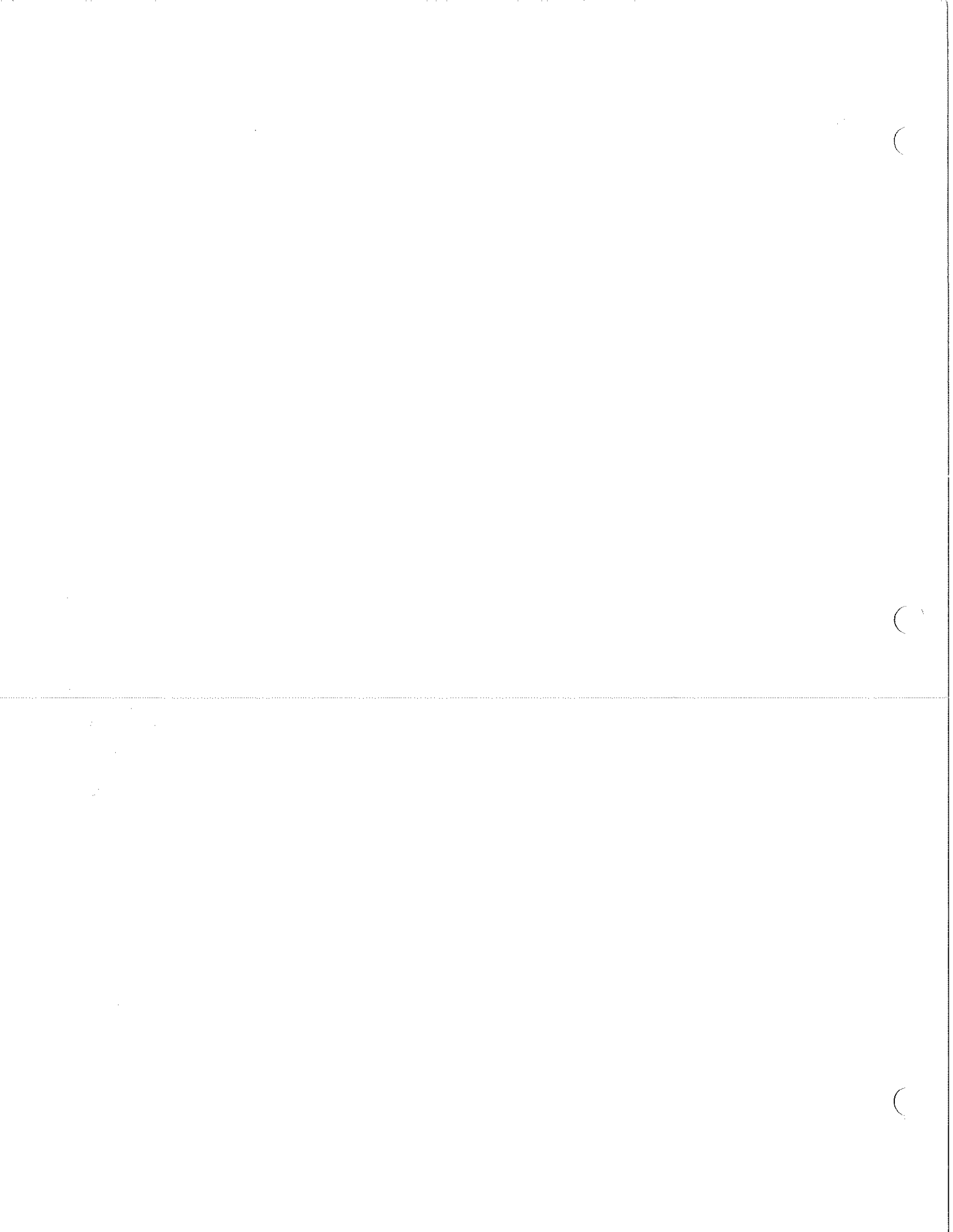


13

BATTERY & ATTACHMENT
Valmont in 73-72 Same as Alp. TNT in 74 Only

1974

ITEM NO.	DESCRIPTION	QUANTITY			PART NO.		
		Alp	Elite	TNT	1974	1973	1972
1	Battery	1			410 3005	410 3005	410 3002
1A	N Battery		1		410 3007	410 3005	
1A	N Battery			1	410 3007		
2	Battery Cap	6			410 3006	410 3006	410 3004
2	N Battery Cap For Battery no 410 3007		6		410 3008		
2	Battery Cap		6			410 3006	
2	N Battery Cap			6	410 3008		
3	Carriage Bolt (N)	1			360 5020	360 5020	360 5020
3	Carriage Bolt (P)	1			360 5020	360 5020	360 5050
3	Carriage Bolt		2			360 5020	
3	Screw M6X15		2	2	402 5012		
4	Wing Nut (N)	1			386 4019	386 4019	386 4019
4	Wing Nut (P)	1			386 4019	386 4019	486 4022
4	Wing Nut		2			386 4019	
4	Nut M6		2	2	402 2053		
5	Washer		2	2	391 0021		
6	Battery Rack		1			515 0825	
7	Rubber Washer	4			570 1711	570 1711	
8	Battery Cover	1			515 0511	515 0511	515 0256
8	N Battery Cover		1	1	515 0853	515 0352	
9	Retainer Rod	2			515 0096	515 0096	515 0096
9	N Retainer Rod		2	2	515 0893		
9	Retainer Rod		2			515 0096	
10	Washer	2	2		399 9015	399 9015	399 9015
10	Washer			2	399 9037		
11	Nut	2	2	2	386 9003	387 0019	387 0019
12	Current Wire	1		1	409 6038	409 6038	409 6038
12	Current Wire		1		409 6044	409 6043	
13	Protection Cap (Battery)	1	1		570 1505	570 1505	570 1505
13A	Protection Cap	1	1		570 1508	570 1508	
14	Ground Wire	1			409 6037	409 6037	409 6037
14	N Ground Wire		1	1	409 6051	409 6036	
15	Screw	1			323 2102	323 2102	323 2102
15	Screw		1		300 1003	320 1061	
16	Washer	1			399 9015	399 9015	399 9015
16	Washer		2		399 8010	399 8028	
17	Nut	1			387 2019	387 2019	387 2019
17	Nut		1		386 6019	386 6013	
	N.B. Battery no 410 3002 & his Cover no 515 0256 Could Be raplace by Battery no 410 3005 & his Cover no 515 0511						



(

(

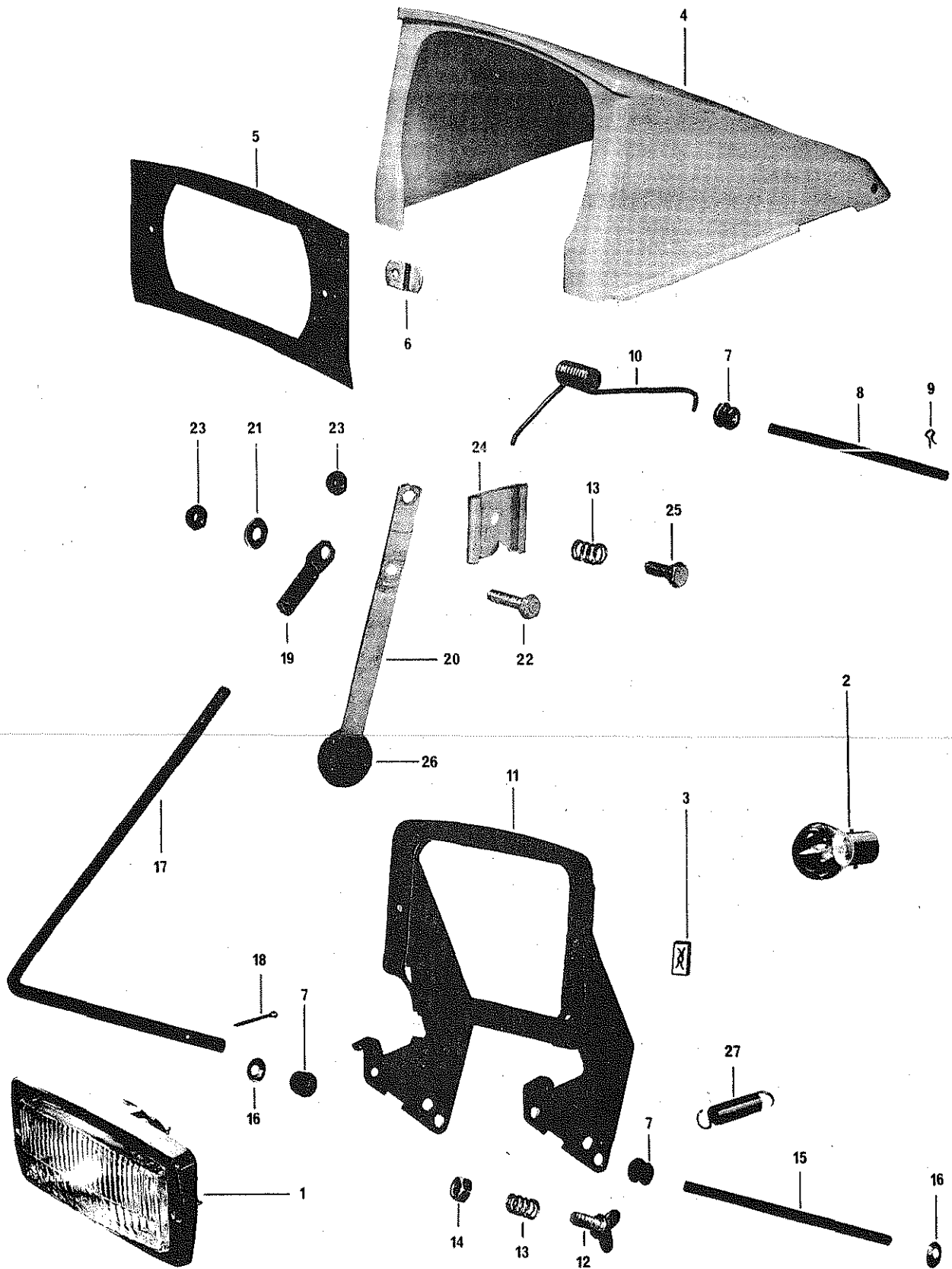
(

LAMP HOUSING
Valmont (73-72) Same as Alpine except as noted

1974

ITEM NO.	DESCRIPTION	QUANTITY				PART. NO.		
		Elan	Oly.	Nor.	Alp.	1974	1973	
1	Bracket	1	2		2	517 0625	517 0625	
1	Bracket R.H.	1				517 0563	517 0563	
2	Cab (See Section Cab)							
3	Rivet	4	4			390 4014	390 4014	
3	Rivet				4	390 4001	390 4001	
4	N Projector	1				410 6047	410 6029	410 6021
4	Projector (Olympique 300 Only)		1			410 6029	410 6029	410 6010
4	Projector		1		1	410 6029	410 6029	410 6021
4	N Projector			1		410 6047	410 6040	410 6022
5	N Headlamp	1				410 6048	410 6035	410 6025
5	Headlamp (Olympique 300 Only)		1			410 6035	410 6035	410 6014
5	□ Headlamp		1		1	410 6035	410 6035	410 6025
5	N Headlamp			1		410 6048	410 6025	410 6025
	Rubber Ring (Olympique 300 Only)		1					410 6013
	Rubber Ring	1	1	1	1			410 6026
6	Spring	4	4		4	414 1241	414 1241	
7	□ Screw	4				347 1044	347 1044	
7	Screw		4		4	347 1044	347 1044	
8	Ring (Olympique 300 Only)		1			410 6030	410 6030	410 6012
8	Ring	1	1	1	1	410 6030	410 6030	410 6024
9	Screw	2	2		2	410 6033	410 6033	410 6011
9	Screw			2		410 6033	410 6011	410 6011
10	Bulb 35W							410 5017
10	Bulb 60W							410 5018
10	Bulb 35/35W					410 5019	410 5019	
10	Bulb 60/60W					410 5020	410 5020	
11	Socket (Olympique 300 Only)		1			410 6039	410 6039	410 6015
11	Socket	1	1		1	410 6039	410 6039	410 6027
11	Socket			1		410 6039	410 6039	410 6028
12	Protector Cap	1	1	1	1	410 6036	410 6036	
13	Taillamp Housing	1	1			414 1221	414 1221	410 9051
13	Taillamp Housing (640 Only)			1		414 1221	414 1221	414 0974
13	Taillamp Housing (434 Only)			1			414 1221	410 9051
13	□ Taillamp Housing				1	561 5003	414 1221	410 9051
14	Bulb	1	1	1	1	410 5015	410 5015	410 5006
14	Bulb (Elan 248-249-294)	1				410 5023	410 5023	
15	N Screw	2				321 7065	320 1065	369 9015
15	Screw (Olympique 300 Only)		2	2		320 1065	320 1065	369 9015
15	Screw		2			320 1065	320 1065	320 1063
15	Screw (Valmont Only)				2		320 1066	320 1064
15	Screw				2	320 1065	320 1065	320 1064
16	Bracket (Valmont Only in 1973)				2		515 0581	517 0313
16	Washer	2	2					399 9018
17	Nut (Olympique 300 Only)	2	2			386 6013	386 6024	
17	Nut		2			386 6013	386 6024	386 6013
17	Nut				2	386 6013	386 6013	
18	Gasket	1	1	1	1	414 1293	414 1293	
19	Lens	1	1	1	1	414 1220	414 1220	410 9052
20	Screw	2	2	2	2	365 0015	365 0015	
	Isolating Foam (Mult 12")	AR	AR	AR	AR	414 1743	414 1743	

HEADLAMP MECHANISM (OLYMPIQUE)

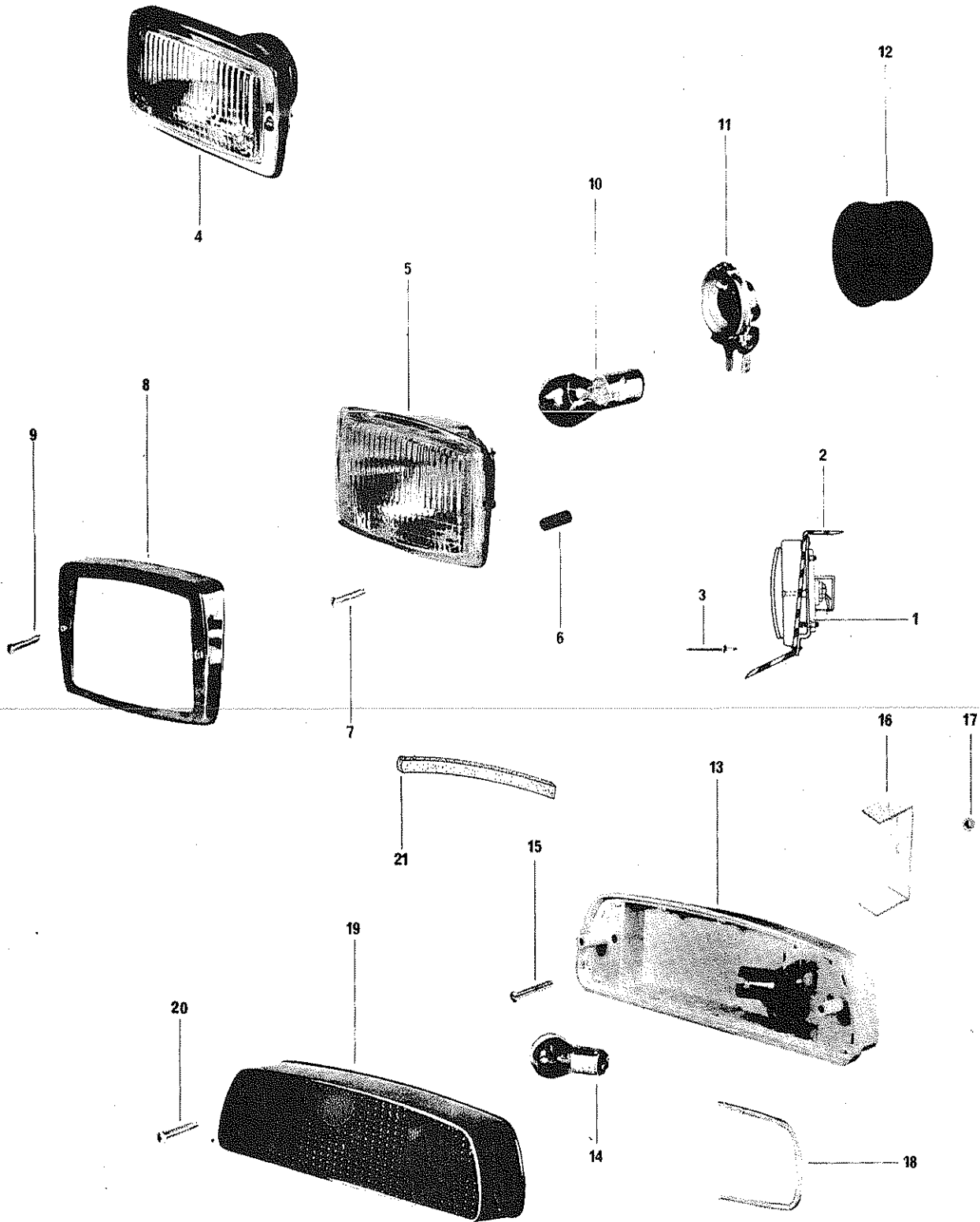


HEADLAMP MECHANISM (NORDIC)
399 in 1971 Only 434 in 1972 Only

1974

ITEM NO.	DESCRIPTION	QUANTITY		PART NO.		
		434	640	1974	1973	1972
1	N Projector		1	410 6047	410 6022	410 6022
	Projector (Manuel)	1				410 6022
	Projector (Electric)	1				410 6022
2	Bulb 60/60W (434 Manuel)	1	1	410 5020	410 5020	410 5020
	Bulb 35/35W (Electric)	1				410 5019
3	Headlamp Housing		1	572 2773	572 2773	572 1509
	Headlamp Housing	1				572 1761
4	Screw	3	3	329 7045	329 7045	329 7045
5	Spring	3	3	414 0893	414 0893	414 0893
6	Adjustment Plate	1	1	515 0349	515 0349	515 0349
7	Speed Nut	3	3	389 8031	389 8031	389 8031
8	□ N Nut	2	2	228-5410	389 8010	389 8010
9	Washer	1	1			515 0440
10	Grommet	2	2	572 1763	572 1763	572 1763
11	Hinge Pin	1	1	517 0363	517 0363	517 0363
12	Push Nut	2	2	389 8043	389 8043	389 8043
13	Side Member	1	1	515 0364	515 0364	515 0364
14	Screw	4	4	320 1061	320 1061	320 1061
15	Nut	4	4	386 6013	386 6013	386 6013
16	Crank Rod	1	1	515 0347	515 0347	515 0347
17	Washer	1	1	399 9015	399 9015	399 9015
18	N Control Rod	1	1	515 0878	414 1045	414 1045
19	Spring	1	1	414 0892	414 0892	414 0892
20	Cotter Pin	1	1	371 0011	371 0011	371 0011
21	Jam Nut	1	1	389 9003	389 9003	389 9003
22	Washer	1	1	391 0021	391 0021	391 0021
23	Raising Handle	1	1	572 2729	572 2729	572 1506
24	Spring	1	1	414 0894	414 0894	414 0894
25	Grommet	1	1	572 2774	572 2774	572 1776
26	Push Nut	1	1	389 8069	389 8069	389 8069
27	Cotter Pin	1	1	371 8002	371 8002	371 8002

LIGHT (T'NT - EVEREST - F.A. - ELITE)

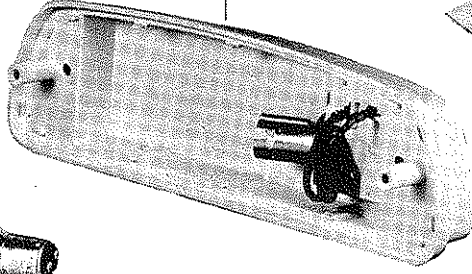
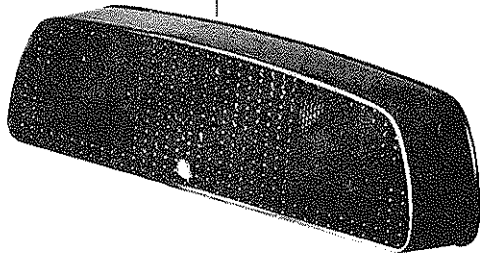
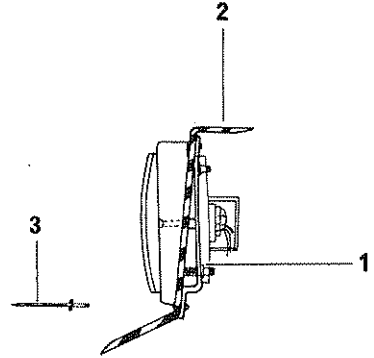
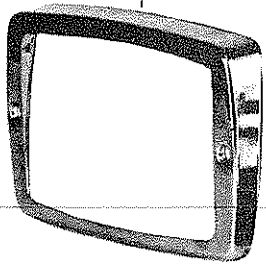
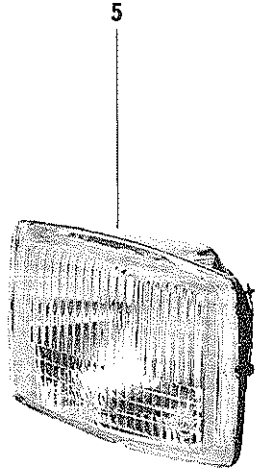
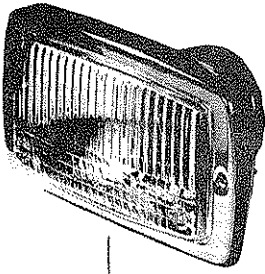


LIGHT (T'NT - EVEREST - F.A. - ELITE)

1974

ITEM NO.	DESCRIPTION	QUANTITY				PART NO.		
		TNT	EVT	F.A.	ELITE	1974	1973	1972
1	N Bracket R.H.	1	1			517 0716	517 0625	
1	Bracket			1	4	517 0625	517 0625	
1	N Bracket L.H.	1	1			517 0717	517 0625	
1	N Bracket w/weld Screw			1		517 0769	517 0625	
2	Cab (See Section Cab)							
3	Rivet	4	4		8	390 4014	390 4014	
3	Rivet			4		390 4016	390 4016	
4	N Protector	1	1			410 6046	410 6031	410 6021
4	Protector			1		410 6029	410 6029	410 6021
4	Protector				2	410 6031	410 6031	
5	N Lens	1	1			410 6045	410 6041	410 6025
5	Lens			1		410 6035	410 6035	410 6025
5	Lens				2	410 6041	410 6041	
6	N Spring	4	4			414 1751	414 1241	
6	Spring			4	8	414 1241	414 1241	
7	Screw	4	4			321 7045	347 1044	
7	Screw			4	8	347 1044	347 1044	
8	N Ring	1	1			515 0839	410 6030	410 6024
8	Ring			1	2	410 6030	410 6030	410 6012
9	Screw	2	2	2	4	410 6033	410 6033	410 6011
10	Bulb 60/60	1	1	1		410 5020	410 5020	410 5018
10	Bulb (T'NT 294)	1			2	410 5019	410 5019	410 5018
11	Socket	1	1		2	410 6034	410 6034	410 6027
11	Socket			1		410 6039	410 6039	410 6027
12	Protector Cap	1	1		2	410 6037	410 6037	
12	Protector Cap			1		410 6036	410 6036	
13	Taillamp Housing	1	1	1	1	414 1221	414 1221	410 9051
14	Bulb	1	1	1		410 5023	410 5015	410 5006
14	Bulb (T'NT 294)	1					410 5023	410 5006
14	Bulb				1	410 5015	410 5015	
15	N Screw	2	2	2		321 7065	320 1065	369 9015
15	Screw				4	320 1066	320 1066	
16	N Bracket R.H.				2	517 0809	515 0850	
16	N Bracket L.H.				2	517 0809	515 0851	
16	Washer	2						399 9018
17	Nut	2		2			386 6013	
17	Nut				4	386 6013	386 6013	
18	Gasket	1	1	1	1	414 1293	414 1293	
19	Lens	1	1	1	1	414 1220	414 1220	
20	Screw	2	2	2	2	365 0015	365 0015	
	Isolating Foam (Mult 12")	AR	AR	AR	AR	414 1743	414 1743	

LAMP HOUSING



LAMP HOUSING (Skandic)

1974

ITEM NO.	DESCRIPTION	QUANTITY			PART NO.		
		337			1973		
1	Bracket	2			517 0625		
2	Cab (See Section Cab)						
3	Rivet	4			390 4014		
4	Projector	1			410 6031		
5	Lens	1			410 6041		
6	Spring	4			414 1241		
7	Screw	4			347 1044		
8	Ring W/Screw	1			410 6030		
9	Screw	2			410 6033		
10	Bulb 60/60	1			410 5020		
11	Socket	1			410 6034		
12	Protector Cap	1			410 6037		
13	Tail Lamp Housing	1			414 1221		
14	Bulb	1			410 5015		
15	Screw	2			320 1065		
16	Bracket	2			515 0657		
17	Nut	2			386 6013		
18	Gasket	1			414 1293		
19	Lens	1			414 1220		

C

C

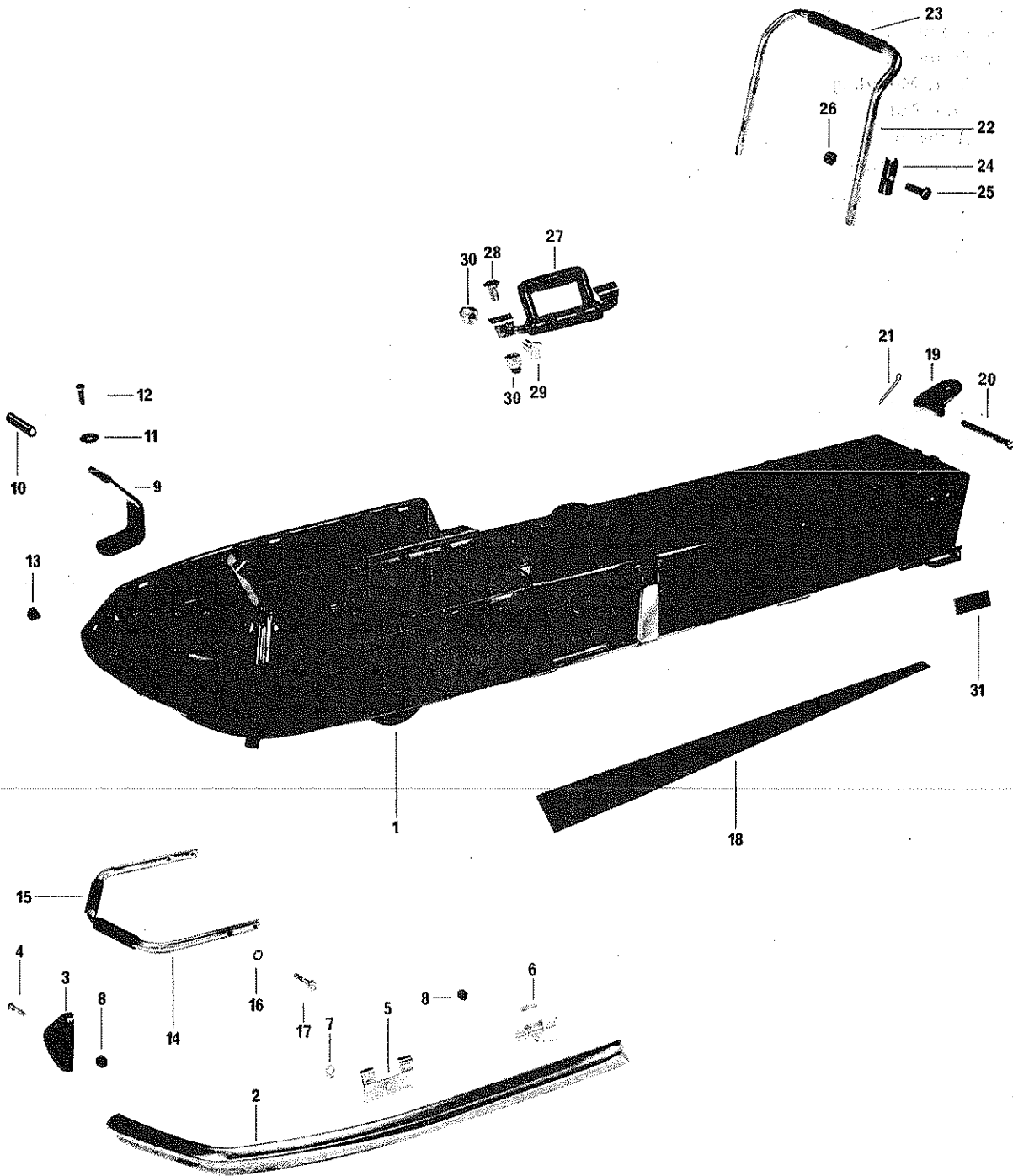
C

FRAME (ELAN)
 292 (1 Cyl.) in 1972 Only 294 (2 Cyl.) in 1974 Only

1974

ITEM NO.	DESCRIPTION	QUANTITY					PART NO.		
		247	248	249	292	294	1974	1973	1972
1	<input type="checkbox"/> N Frame	1	1		1		580 1350	580 0591	580 0591
1	<input type="checkbox"/> N Frame			1		1	580 1350	580 0489	
2	Body Moulding	1	1	1	1	1	414 0833	414 0833	414 0833
3	Foot Pad	2	2	2	2	2	414 1414	414 1414	570 1751
4	Reflector	2	2	2	2	2	414 1246	414 1246	414 1011
5	Front Handle	1			1		517 0533	517 0533	517 0533
6	<input type="checkbox"/> N Screw	4	4	4	4	4	309 9008	309 8053	309 8053
7	Front Bumper		1	1		1	517 0580	517 0580	
8	Screw		2	2		2	300 5001	300 1001	
9	Washer		2	2		2	399 9015	399 9015	
10	Nut		2	2		2	386 9003	386 6019	
11	Clip Nut	4	4	4	4	4	389 9025	389 8029	389 8029
12	<input type="checkbox"/> N Tool Box W/Cover	1	1	1		1	572 2733		
13	N Cover	1	1	1		1	572 2732		
14	N Spring Clip	1	1	1		1	414 1700		
15	<input type="checkbox"/> N Decal (250)			2			414 1784		
15	N Decal (294)					2	414 1783		

FRAME (OLYMPIQUE)

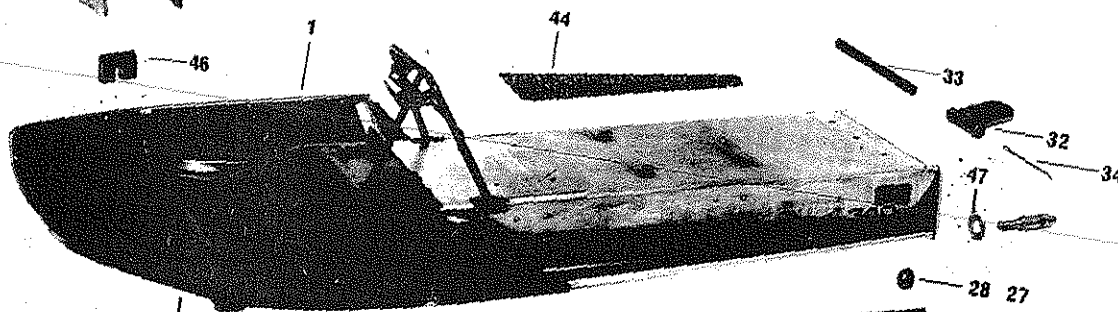
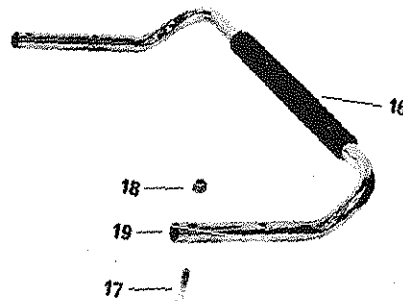
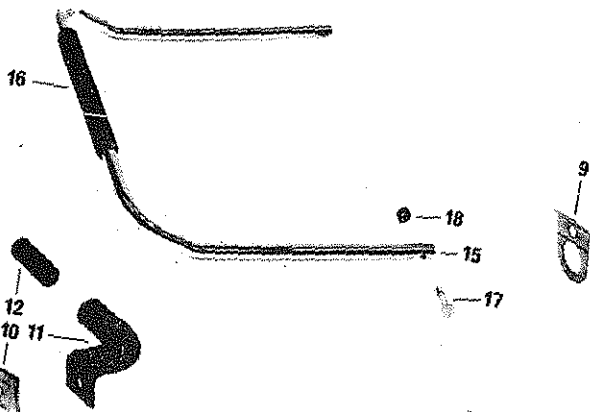
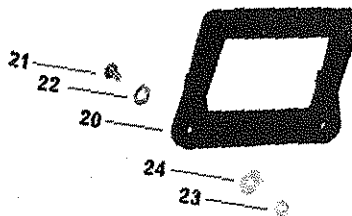
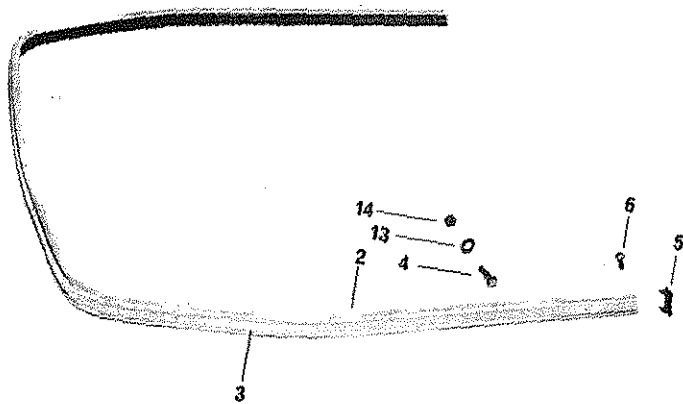


FRAME (VALMONT - ALPINE)
In 1974 Alpine 434ER - 640ER Only

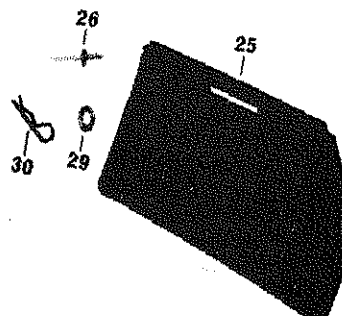
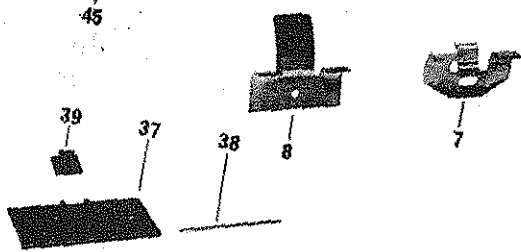
1974

ITEM NO.	DESCRIPTION	QUANTITY			PART NO.		
		V434	A434	A640	1974	1973	1972
1	Frame	1				580 3152	580 3122
2	Frame		1	1	580 3151	580 3151	580,3123
3	Bottom Plate	1	1	1	571 1605	571 1605	571 1605
4	Plastic Sealer (Mult 12")	AR	AR	AR	414 0188	414 0188	414 0188
5	Plate Seal	1	1	1	517 0317	517 0317	517 0317
6	Body Moulding	1	1	1	414 0772	414 0772	414 0772
7	Rivet	4	4	4	390 4004	390 4004	390 4004
7	Rivet	10	10	10	390 9017	390 9017	390 9017
8	N Tubular Rivet	10	14	14	390 2009	390 2001	390 2001
9	Tubular Rivet	4	4	4		390 2002	390 2002
10	Front Bumper	1	1	1	517 0453	517 0453	517 0453
11	Screw	4	4	4	321 7108	321 7108	321 7108
12	Nut	4	4	4	386 9003	387 0019	387 0019
13	Screw	2	2	2	300 1043	300 1043	300 1043
14	Nut	2	2	2	386 6022	386 6022	386 6022
15	Side Guard	6				517 0643	517 0323
15	Side Guard		2	2	517 0644	517 0644	517 0324
15	Side Guard		4	4	517 0646	517 0646	517 0324
16	Rivet	36	16	16	390 4035	390 4035	390 4035
17	Rubber Rib (Mult 12")	AR	AR	AR	414 0773	414 0773	414 0773
18	Foot Rib Stop	12	12	12	517 0316	517 0316	517 0316
19	Rivet	12	12	12	390 4015	390 4015	390 4015
20	Grommet	2	2	2		570 1794	570 1773
21	Rubber Cover	2	2	2	570 0416	570 0416	
22	Rear Bumper	1				580 3160	580 3134
	Rear Bumper		1	1			580 3134
23	Grip (72-71 Alp. same As Val.)	1				572 2741	572 1715
24	Grip (72-71 Alp. same As Val.)	2				572 1710	572 1710
25	Bumper Brkt ('72 Alp. same As Val.)	2				517 0339	517 0339
26	Screw ('72 Alp. same As Val.)	6				300 1001	300 1001
27	Nut ('72 Alp. same As Val.)	6				386 6019	386 6019
28	Attach Bracket		1	1	517 0629	517 0629	517 0554
29	Retainer Pin		1	1	414 0665	414 0665	414 0665
30	Cotter Pin	1	2	2	371 8002	371 8002	371 8002
31	Screw		1	1	301 7049	301 7049	300 1001
32	Nut		1	1	389 8037	389 8037	
	Washer		1	1			399 8012
33	Hitch Plate	1	1	1	517 0087	517 0087	517 0087
34	Pin	1	1	1	414 1349	414 1349	517 0097
35	Latch Bracket	2	2	2	517 0305	517 0305	517 0305
36	Washer	2	2	2	399 9015	399 9015	399 9015
37	Nut	2	2	2	386 6019	386 6019	386 6019
38	Reflector	2	2	2	414 1246	414 1246	414 1011
39	Rear Cap		1	1	571 2735	571 2735	
40	Clip		1	1	513 0053	513 0053	
41	Rivet		4	4	390 9017	390 9017	
42	Carpet		4	4	414 1509	414 1509	
43	Screw		1	1	365 9006	365 9006	

FRAME (T'NT - EVEREST)

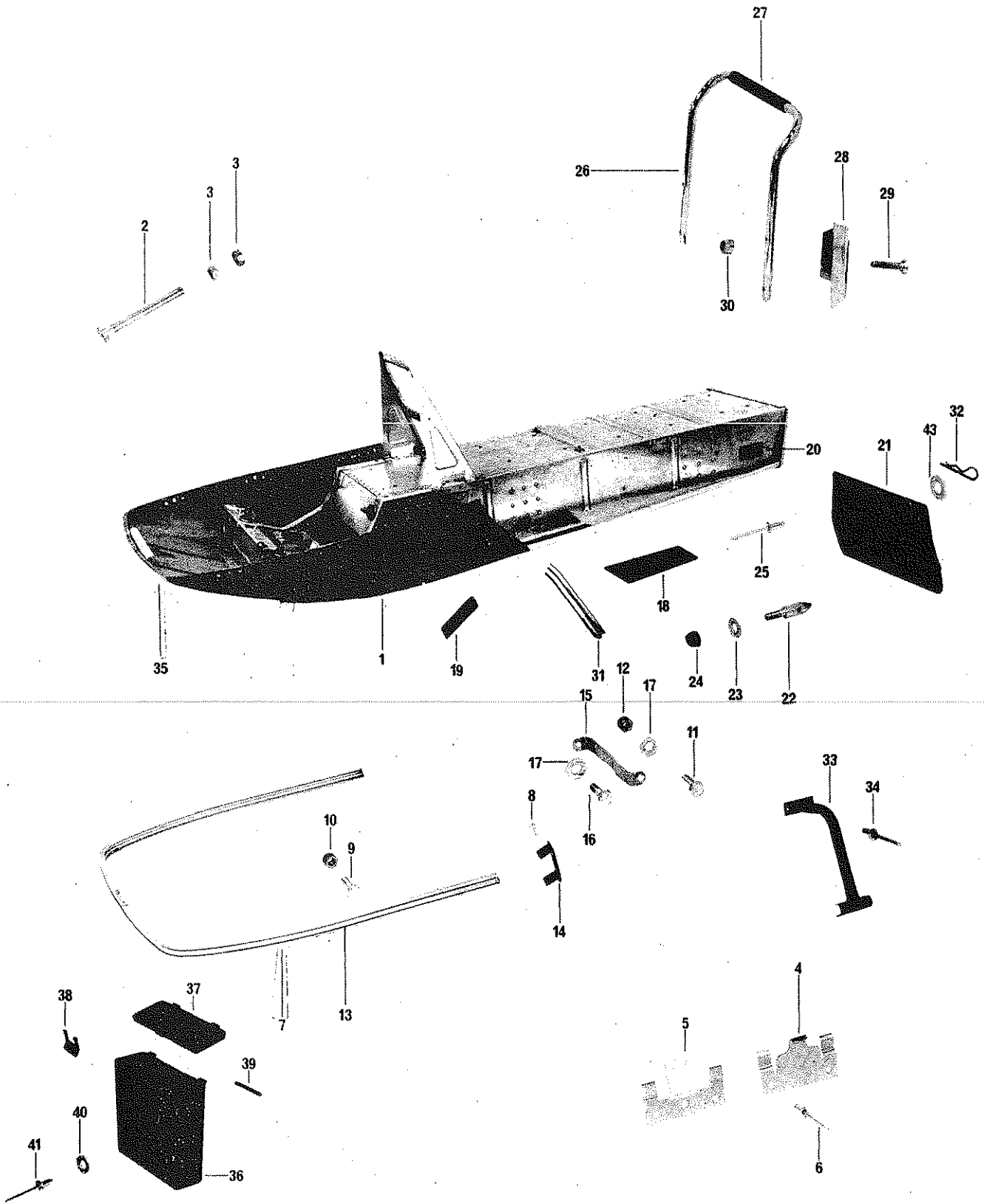


340SE



ITEM NO.	DESCRIPTION	QUANTITY				PART. NO.		
		294	343	440	EVT	1974	1973	1972
1□	N Frame	1				580 1507		
1	N Frame		1	1		580 0869		
1	N Frame				1	580 0870		
2	N Bumper	1	1	1	1	517 0748		
3	Stripe (Mult 12")	1	1	1	1	414 1289		
4	N Screw	12	12	12	12	309 9022		
5	N End Cap	2	2	2	2	572 3709		
6	N Drive Screw	2	2	2	2	365 9009		
7□	N Latch Bracket	2	2	2	2	517 0713		
8	N Cabin Guide	4	4	4	4	517 0695		
9	N Front Handle Bracket	2	2	2	2	517 0724		
10	N Spacer	2	2	2	2	517 0744		
11	N Cabin Hinge	2	2	2	2	517 0701		
12	N Bushing	2	2	2	2	570 1792		
13	Washer	6	6	6	6	399 9015		
14	Nut	12	12	12	12	386 9003		
15	N Front Handle	1	1	1	1	580 0838		
16	Grip	2	2	2	2	572 2741		
17	Screw	6	6	6	6	300 5004		
18	Nut	6	6	6	6	386 9003		
19	N Rear Bumper	1	1	1	1	580 0853		
20	N Side Handle	2	2	2	2	572 3708		
21	Screw	4	4	4	4	300 1043		
22	Washer	4	4	4	4	399 9007		
23	N Cap Nut	4	4	4	4	389 8084		
24	N Washer	4	4	4	4	517 0783		
25	N Snow Guard	1	1	1	1	572 3702		
26	Rivet	4	4	4	4	390 9017		
27	N Snow Guard Retainer	2	2	2	2	517 0486		
28	Nut	2	2	2	2	386 9003		
29	Washer	2	2	2	2	399 9027		
30	Hair Pin	2	2	2	2	414 1124		
31	Reflector	2	2	2	2	414 1246		
32	Hitch Plate	1	1	1	1	517 0087		
33	Pin	1	1	1	1	414 1349		
34	Cotter Pin	1	1	1	1	371 8002		
35	N Tool Box Bracket	2	2	2	2	517 0743		
36	N Tool Box	1	1	1	1	572 3706		
37	N Cover	1	1	1	1	572 3707		
38□	N Hinge Pin	2	2	2	2	517 0753		
39	N Lock	1	1	1	1	572 3712		
40	Carriage Bolt	2	2	2	2	360 8011		
41	Washer	2	2	2	2	399 9018		
42	Wing Nut	2	2	2	2	387 9003		
43□	N Decal 300 SM	2				414 2036		
43	N Decal 340 SM		2			414 1936		
43	N Decal 340 SE		2			414 1937		
43	N Decal 440 SM			2		414 1938		
43	N Decal 440 SE			2		414 1939		
43	N Decal 440 SL				2	414 1940		
44	N R.H. Foot Pad	1	1	1	1	414 1788		
44	N L.H. Foot Pad	1	1	1	1	414 1789		
45□	N Bottom Plate	1				518 0815		
45□	N Bottom Plate		1	1	1	518 0776		
46□	N Spacer	2	2	2	2	517 0821		
47□	Washer	2	2	2	2	399 9015		

FRAME (T'NT F.A.)

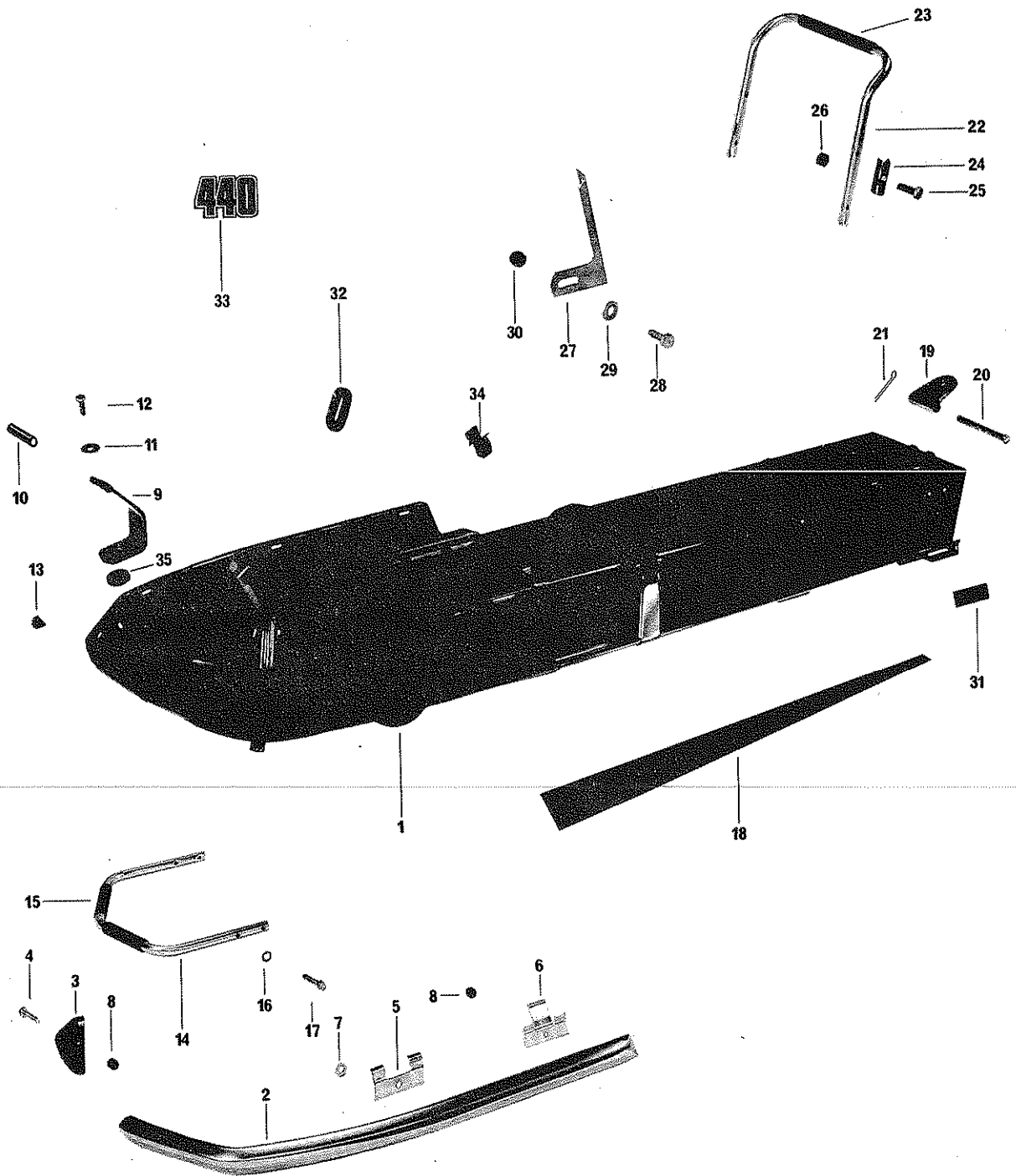


FRAME (T'NT F.A.)

1974

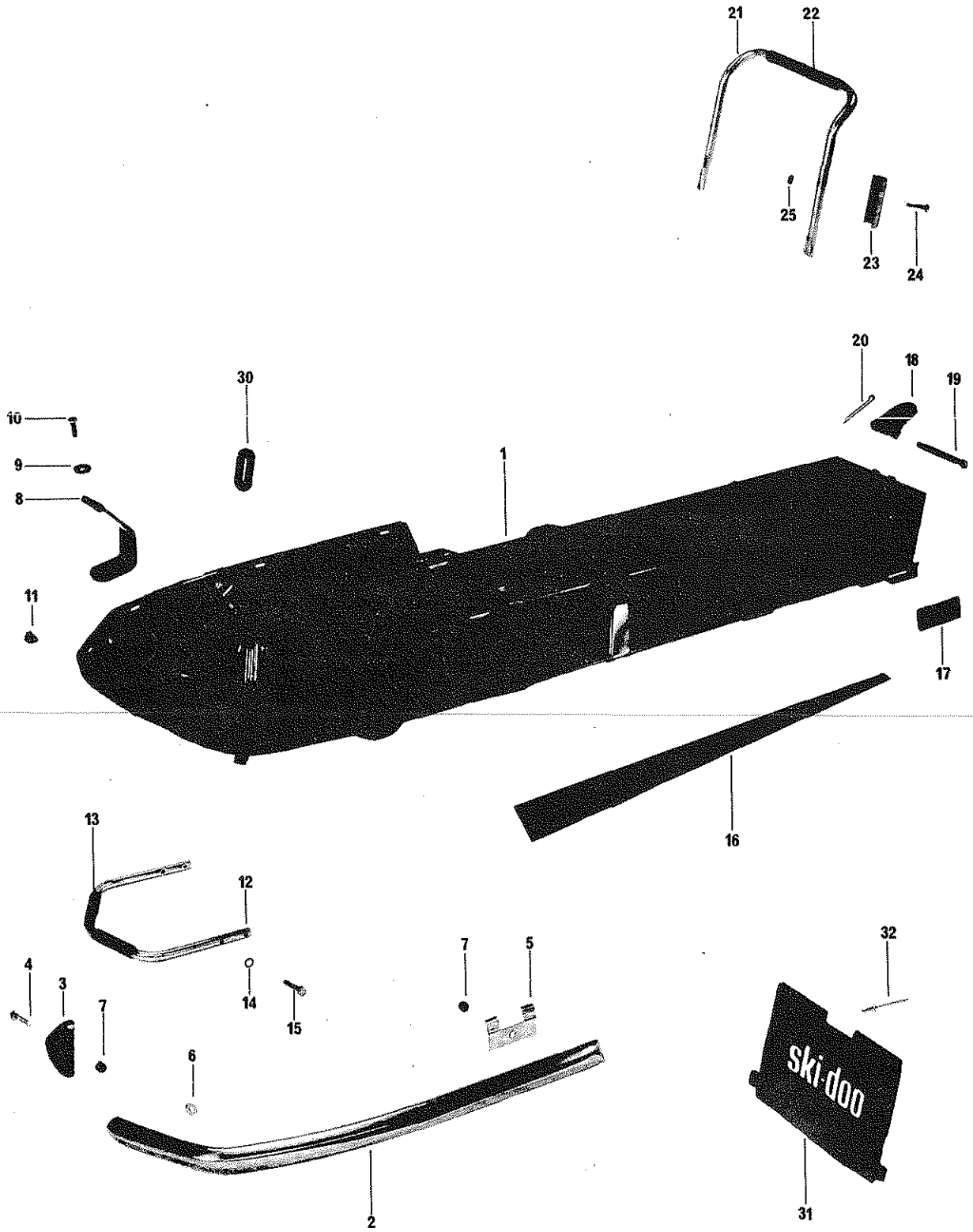
ITEM NO.	DESCRIPTION	QUANTITY			PART NO.		
		346	396	436	1974	1973	1972
1	N Frame	1	1	1	580 0874	580 0829	
2	□ Screw	2	2	2	309 8037	309 8027	
3	□ Nut	4	4	4	389 8015	387 2022	
4	N Latch Bracket	2	2	2	517 0806	517 0673	
5	N Cabin Guide	4	4	4	517 0695	517 0704	
6	Rivet	12	12			390 4036	
7	□ N Bumper Ass'y	1	1	1	517 0764	517 0642	
8	Drive Screw	2	2	2	365 9009	365 9007	
9	N Screw (Qty. was 5 in 73)	8	8	8	309 9022	300 9015	
10	Nut (Qty. was 5 in 73)	8	8	8	386 9003	386 6019	
11	Screw	2	2	2	309 9022	300 1003	
12	Nut	2	2	2	386 9003	386 6019	
13	Stripe (Mult 12")	AR	AR	AR	414 1289	414 1289	
14	N R.H. Cap	1	1	1	572 3709	572 2783	
14	N L.H. Cap	1	1	1	572 3709	572 2784	
15	Tie Bar	1	1	1	517 0658	517 0658	
16	Screw	1	1	1	300 9001	300 9001	
17	Washer	2	2	2	399 9015	399 9015	
18	R.H. Foot Pad	1	1	1	414 1566	414 1566	
18	L.H. Foot Pad	1	1	1	414 1565	414 1565	
19	N R.H. Front Foot Pad	1	1	1	414 1961	414 1612	
19	N L.H. Front Foot Pad	1	1	1	414 1962	414 1612	
20	Reflector	2	2	2	414 1246	414 1246	
21	N Snow Guard	1	1	1	572 3714	570 0121	
22	N Snow Guard Retainer	2	2	2	517 0486	517 0486	
23	Washer	2	2	2	399 9015	399 9015	
24	Nut	2	2	2	386 9003	386 6019	
25	Rivet	4	4	4	390 9017	390 9017	
26	N Rear Bumper	1	1	1	580 0878	580 0832	
27	Grip	1	1	1	572 2741	572 2741	
28	Rear Bumper Bracket	2	2			517 0564	
29	Screw	4	4	4	300 5004	327 3104	
30	Nut	4	4	4	386 9003	386 6119	
31	Edge Trim (Mult 12")	AR	AR			414 1304	
32	Hair Pin	2	2	2	414 1124	414 1124	
33	Side Lift Plate R.H.	1	1			518 0746	
33	Side Lift Plate L.H.	1	1			518 0745	
34	Rivet	10	10			390 4020	
35	□ N Bottom Plate	1	1	1	518 0758		
36	N Tool Box	1	1	1	572 3718		
37	N Cover	1	1	1	572 3719		
38	N Lock	1	1	1	572 3720		
39	N Hinge Pin	3	3	3	517 0792		
40	Washer	4	4	4	399 9018		
41	Rivet	4	4	4	390 4036		
42	Decal 340 F.A.	2			414 1614		
42	Decal 400 F.A.		2		414 1613		
42	N Decal 440 F.A.			2	414 1895		
43	Washer	2	2	2	399 9027		

FRAME (T'NT 15")



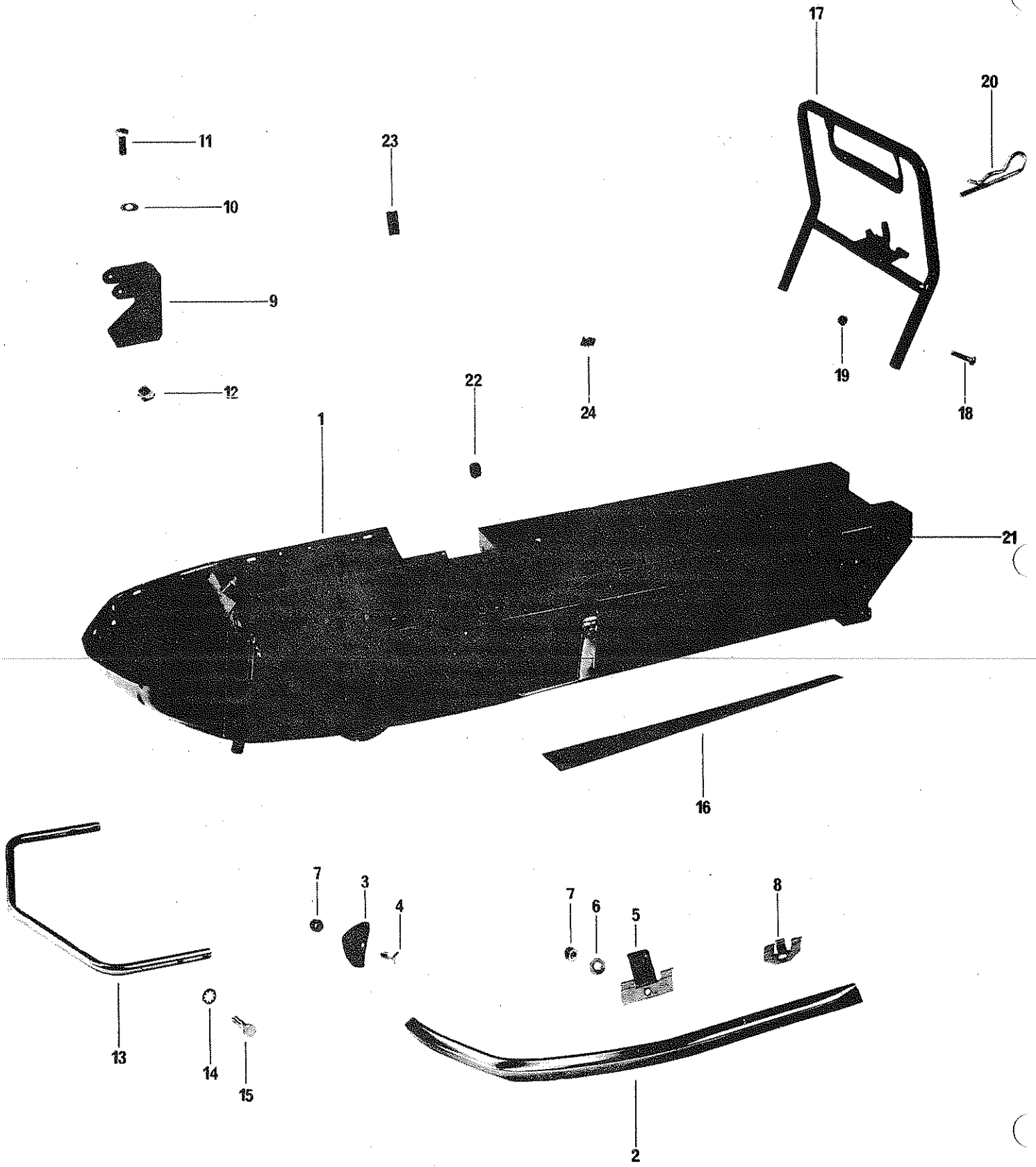
ITEM NO.	DESCRIPTION	QUANTITY			PART NO.	
		294	343	435	1973	1972
1	Frame	1			861 8001	580 0609
1	Frame		1	1	861 8001	580 0618
2	R.H. Side Bumper	1	1	1	517 0254	517 0254
2	L.H. Side Bumper	1	1	1	517 0255	517 0255
3	Front Bumper Spacer	1	1	1	572 1714	572 1714
4	Screw	1	1	1	300 1004	300 1004
5	Cabin Guide	4	4	4	517 0235	517 0235
6	Cabin Guide	2	2	2	517 0576	
7	Washer	4	4	4	399 9015	399 9008
8	Nut	9	9	9	386 6019	386 6019
9	Cabin Hinge	2	2	2	517 0571	517 0461
10	Bushing	2	2	2	570 1792	
11	Washer	4	4		399 9015	399 9008
	Washer	4	4	4		399 8010
12	Screw	4	4	4	309 8051	309 8051
13	Speed Nut	8	8	8	389 8029	389 8029
14	Front Handle	1	1	1	580 1252	580 1129
15	Grip	2	2	2	572 2739	572 1710
16	Washer	4	4	4	399 8010	399 8010
17	Screw	4	4	4	309 8053	309 8053
18	R.H. Foot Pad	1	1	1	570 1805	570 1805
18	L.H. Foot Pad	1	1	1	570 1806	570 1806
19	Hitch Plate	1	1	1	517 0087	517 0087
20	Pin	1	1	1	414 1349	517 0097
21	Cotter Pin	1	1	1	371 8002	371 8002
22	Rear Bumper	1	1	1	580 1234	580 1128
23	Grip	1	1	1	572 2741	572 1715
24	Rear Bumper Bracket	2	2	2	517 0564	517 0361
25	Screw	4	4	4	327 3104	327 3065
26	Nut	4	4	4	386 6119	386 6013
27	Console Bracket R.H.	1	1	1	517 0621	
27	Console Bracket L.H.	1	1	1	517 0622	
28	Screw	2	2	2	300 1001	
29	Washer	2	2	2	399 9015	
30	Nut	2	2	2	386 6019	
31	Reflector	2	2	2	414 1246	414 1011
32	Protector	1	1	1		570 1791
33	Decal	2			414 1511	
33	Decal		2		414 1512	
33	Decal			2	414 1513	
34	Clip	2	2	2	414 0951	
35	Rubber Spacer	4	4	4	570 1711	

FRAME (T'NT)



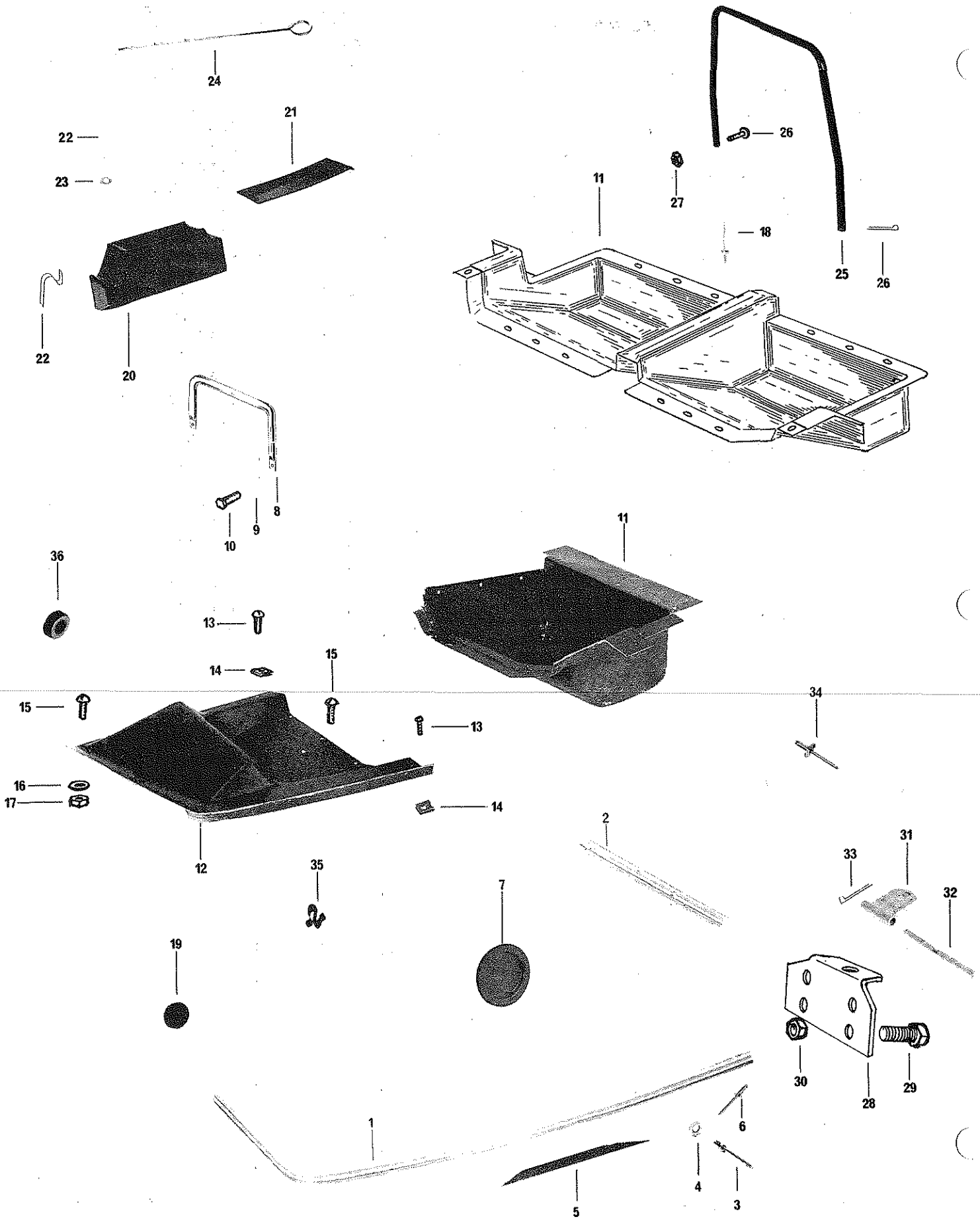
ITEM NO.	DESCRIPTION	QUANTITY			PART NO.	
		400	640	775	1972	
1	Frame	1			580 0674	
1	Frame		1	1	580 0696	
2	R.H. Bumper	1			517 0254	
2	R.H. Bumper		1	1	517 0358	
2	L.H. Bumper	1			517 0255	
2	L.H. Bumper		1	1	517 0359	
3	Front Bumper Spacer	1	1	1	572 1714	
4	Screw	1	1	1	300 1003	
5	Cabin Guide	6	6	6	517 0235	
6	Washer	2	2	2	399 9015	
7	Nut	9	9	9	386 6019	
8	Cabin Hinge	2			517 0337	
	Bushing	2			570 1792	
8	Cabin Hinge		2	2	517 0467	
9	Washer	4			399 9008	
9	Washer		4	4	399 9015	
10	Screw	4	4	4	309 8051	
11	Clip Nut	11	11	11	389 8029	
12	Front Handle	1			580 1129	
12	Front Handle		1	1	580 0512	
13	Grip	2	2	2	572 1710	
14	Washer	4	4	4	399 8010	
15	Screw	4	4	4	309 8053	
16	R.H. Foot Pad	1	1	1	570 1805	
16	L.H. Foot Pad	1	1	1	570 1806	
17	Reflector	2	2	2	414 1011	
18	Hitch Plate	1	1	1	517 0087	
19	Pin	1	1	1	517 0097	
20	Cotter Pin	1	1	1	371 8002	
21	Rear Bumper	1			580 0691	
21	Rear Bumper		1	1	580 0289	
22	Grip	1	1	1	572 1715	
23	Bumper Bracket	2			517 0555	
23	Bumper Bracket		2	2	517 0361	
24	Screw	4			300 1004	
24	Screw		4	4	327 3065	
25	Nut	4			386 6019	
25	Nut		4	4	386 6013	
30	Protector		1	1	570 1791	
31	Snow Guard	1			570 1796	
31	Snow Guard		1	1	570 1788	
32	Rivet	4	4	4	390 9017	

FRAME (Skandic)



ITEM NO.	DESCRIPTION	QUANTITY		PART NO.	
		337		1973	
1	Frame	1		580 0902	
2	R.H. Bumper	1		517 0358	
2	L.H. Bumper	1		517 0359	
3	Front Bumper Spacer	1		572 1714	
4	Screw	1		300 1003	
5	Cabin Guide	4		517 0235	
6	Washer	4		399 9015	
7	Nut	9		386 6019	
8	Cabin Guide	2		517 0576	
9	Hinge Bracket	2		517 0349	
10	Washer	6		399 9015	
11	Screw	4		309 8051	
12	Clip Nut	8		389 8029	
13	Front Handle	1		580 0568	
	Grip	2		572 2739	
14	Washer	4		399 8010	
15	Screw	4		309 8053	
16	Foot Pad R.H.	1		570 1805	
16	Foot Pad L.H.	1		570 1806	
17	Back Tube	1		517 0652	
18	Screw	6		300 1004	
19	Nut	6		386 6019	
20	Hair Pin	1		561 7041	
21	Reflector	2		414 1246	
22	Grommet	2		414 0363	
23	Clip	6		414 0951	
24	Clip	4		414 1517	

FRAME (ELITE)



ITEM NO.	DESCRIPTION	QTY	PART. NO.	
			1974	1973
1	Bumper	2	517 0682	517 0682
2	Rear Bumper	1	517 0681	517 0681
3	Pop Rivet (Qty was 80 in 73)	52	390 4017	390 4002
4	Washer	20	399 9019	
5	Vinyl Extrusion	1	414 1617	414 1617
6	Rivet	2	390 4007	390 4007
7	Cover	2	570 2722	570 2722
8	Handle	1		517 0738
9	Washer	2		392 0022
10	Screw	2		300 1041
11	N Rear Floor	1	571 2774	
11	Rear Floor R.H.	1		571 2754
11	Rear Floor L.H.	1		571 2755
12	N Front Floor R.H.	1	571 2773	571 2756
12	N Front Floor L.H.	1	571 2772	571 2757
13	Screw	5	363 0143	362 9103
14	Speed Nut	5	389 8011	389 8082
15	Screw	10	330 5102	362 9103
16	Washer	4	399 9008	
17	Nut	4	386 6019	389 8082
18	Rivet (screw in 73)	6	390 9039	362 9103
19	Plug (to grease ski leg)	2	570 0406	
20	N Tool Box W/Cover	1	572 2733	571 2758
21	N Cover	1	572 2732	
22	N Spring Clip	1	414 1700	
22	Rivet	2		390 9017
23	Washer	2		399 9018
24	Oil Gauge (Chain Case)	1	529 0011	529 0011
25	Roll bar	1	517 0676	517 0676
26	Screw	2	321 7066	
26	Cotter Pin	2		371 8005
27	Nut	2	386 6013	
28	Hitch Plate Bracket	1	518 0714	
29	Screw	4	301 3003	
30	Nut	4	386 9003	
31	Hitch Plate	1	507 0087	517 0087
32	Pin	1	414 1349	414 1349
33	Cotter Pin	1	371 8002	371 8002
34	Rivet (To join lower body with frame)	58	390 9039	
35	Clip	2	414 1517	
36	Grommet	2	572 1762	

(

(

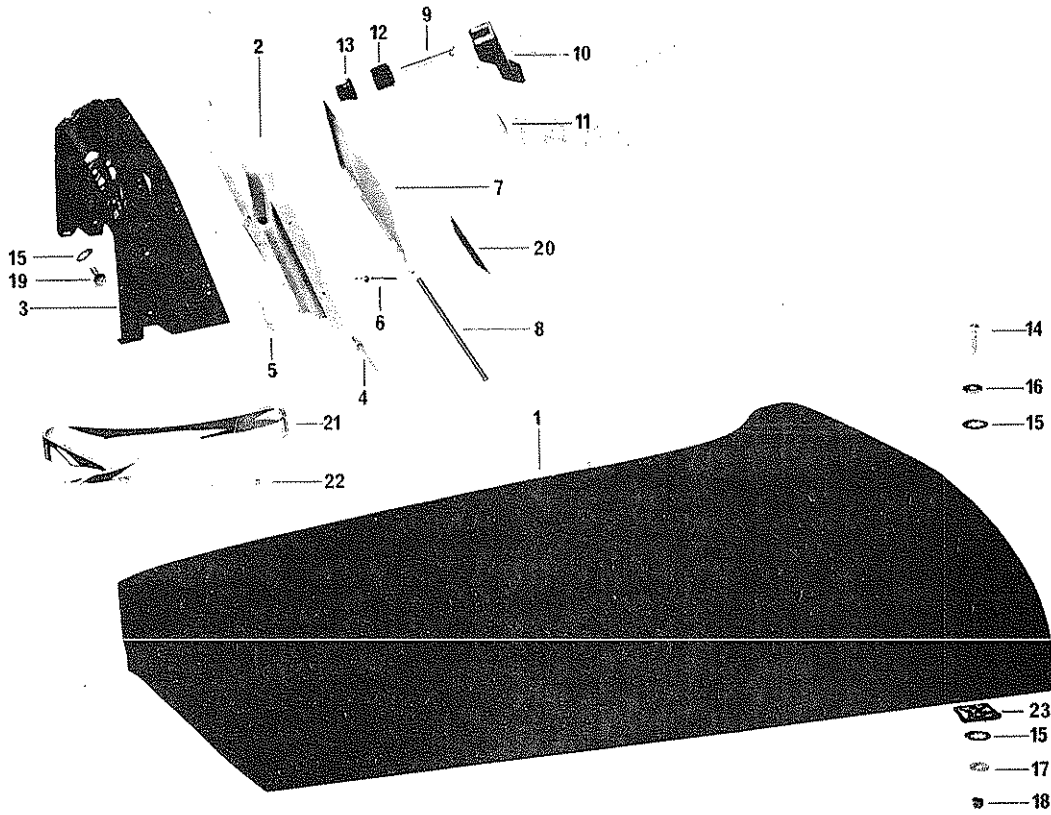
(

**SECTION
SEAT**

Seat
Rear Cap
Backrest

1974

SEAT (ELAN)
292 (1 Cyl.) in 1972 294 (2 Cyl.) in 1974



ITEM NO.	DESCRIPTION	QUANTITY					PART NO.		
		247	248	249	292	294	1974	1973	1972
1	N Seat	1	1	1	1	1	414 1713	414 1292	414 0854
2	Rear Cap	1	1	1				572 2730	
3	Trunk Member	1	1	1				517 0600	
4	Rivet	2	2	2				390 4001	
4	Rivet	4	4	4				390 4007	
5	Hinge	1	1	1				572 2737	
6	Rivet	5	5	5				390 9018	
7	Door	1	1	1				572 2738	
8	Hinge Pin	2	2	2				517 0597	
9	Threaded Screw	1	1	1				517 0598	
10	Latch	1	1	1				572 2740	
11	Pin	1	1	1				414 1411	
12	Rubber Spacer	1	1	1				570 2702	
13	Plastic Nut	1	1	1				572 2747	
14	Screw	4	4	4	2			300 1004	300 1004
15	Washer (Int. Tooth) 3 in 1973	1	1	1		1	394 1022	399 8010	
16	Washer	4	4	4				399 9015	
17	Washer (4 in 1973)	2	2	2	2	2	399 9008	399 9008	399 9008
18	Nut (4 in 1973)	2	2	2	1	2	386 9003	386 6019	386 6019
	Nut (Ground)				1				389 8053
19	Screw (Tail Lamp Ground)	1	1	1				300 1000	
20	Insulator	1	1	1				570 2709	
21	Seat Belt	1	1	1		1	414 1286	414 1286	
22	Pin	2	2	2		2	517 0579	517 0579	
23	<input type="checkbox"/> N Speed Grip Nut	2	2	2		2	389 9024		

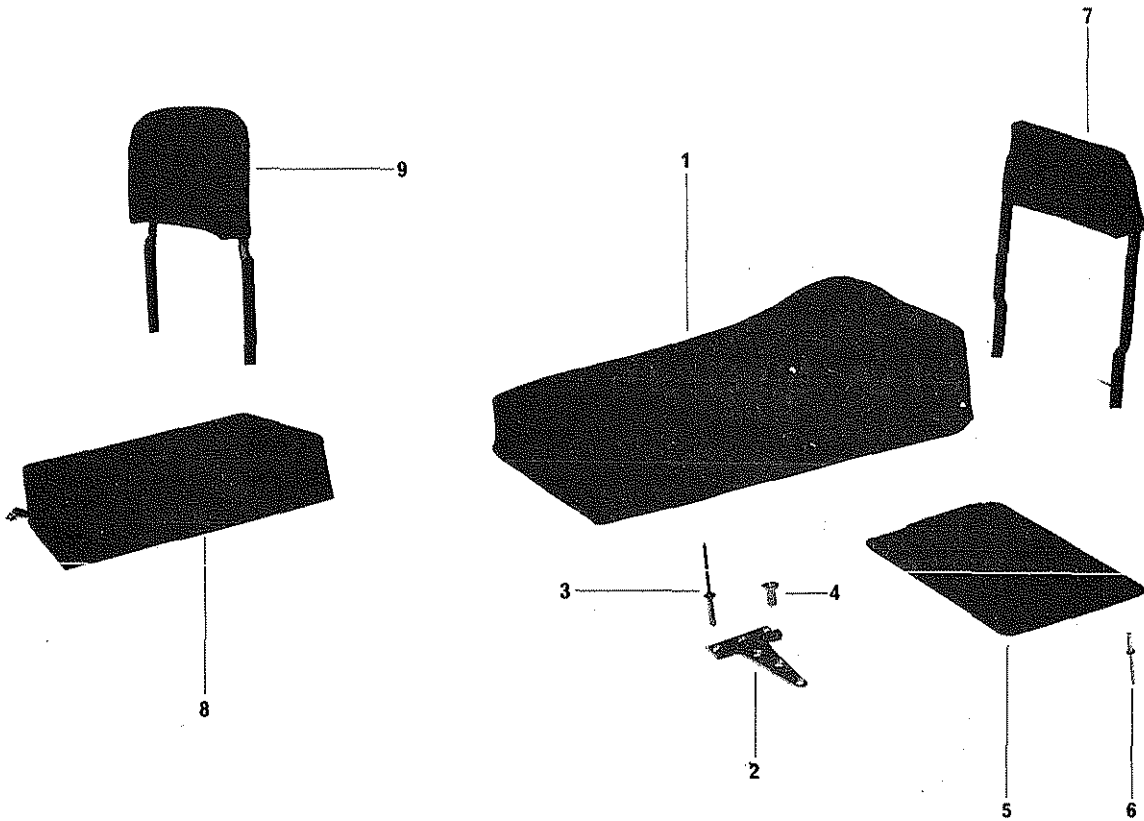
SEAT (OLYMPIQUE)
In 1974 - 302-338-401 Only

1974

ITEM NO.	DESCRIPTION	QUANTITY					PART NO.		
		302	337	338	401	434	1974	1973	1972
1	Seat	1					414 1309	414 1309	414 0977
1	Seat		1	1	1	1	414 1309	414 1309	414 0844
2	Rear Cap	1	1	1	1	1	572 2730	572 2730	
3	Trunk Member	1	1	1	1	1	517 0641	517 0641	
4	Rivet	6	6	6	6	6	390 4007	390 4007	
5	Hinge	1	1	1	1	1	572 2737	572 2737	
6	Rivet	5	5	5	5	5	390 9018	390 9018	
7	Door	1	1	1	1	1	572 2738	572 2738	
8	Hinge Pin	2	2	2	2	2	517 0597	517 0597	
9	Threaded Screw	1	1	1	1	1	517 0598	517 0598	
10	Latch	1	1	1	1	1	572 2740	572 2740	
11	Pin	1	1	1	1	1	414 1411	414 1411	
12	Rubber Spacer	1	1	1	1	1	570 2702	570 2702	
13	Plastic Nut	1	1	1	1	1	572 2747	572 2747	
14	Screw	4	4	8	8	8	300 1004	300 1004	300 1003
14	Screw (Tail Lamp Ground)	1					300 1000	300 1000	
15	Washer (Ground)	3	3	3	3	3	399 8010	399 8010	
15	Washer	4	4	4	4	4	399 9008	399 9008	399 9008
16	Nut	4	4	4	4	4	386 6019	386 6019	386 6019
17	Bushing			2	2	2	572 2749	572 2749	
18	Backrest			1	1	1	414 1324	414 1324	
19	Backrest Part I		1		1				572 1770
20	Backrest Part II		1		1				572 1771
21	Backrest Door		1		1				572 1772
22	Hinge Pin		1		1				517 0247
23	Push Nut		4		4				389 8043
24	Door Lock		1		1				572 1774
25	Spring		1		1				414 0866
27	Hinge Pin		1		1				517 0347
28	Rivet		5		5				390 5019
29	Rivet		7		7				390 5011
30	Padded Backrest		1		1				414 0636
31	Wood Screw		4		4				369 9017
32	Reflector		2		2				414 1011
33	Insulator	1	1	1	1	1	570 2709	570 2709	
34	Washer	4	4	4	4	4	399 9015	399 9015	503 0016
35	Seat Belt	1	1				414 1286	414 1286	
36	Pin	2	2				517 0579	517 0579	

1974

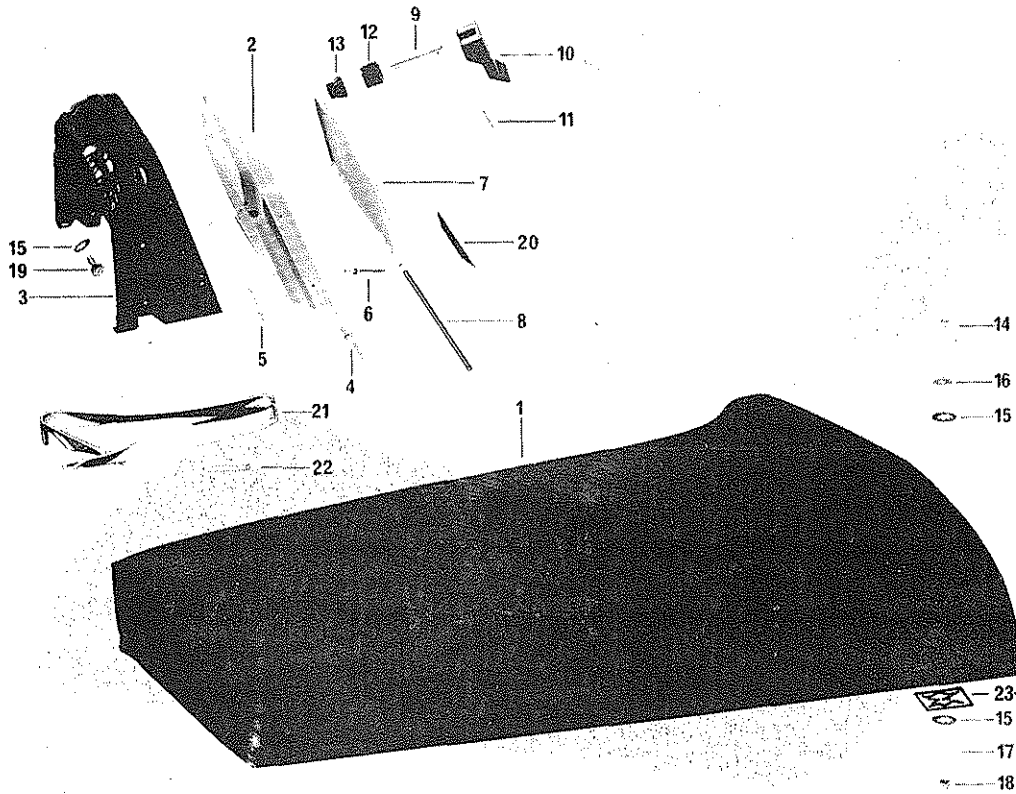
SEAT (VALMONT - ALPINE)
In 1974 Alpine 434ER-640ER Only



ITEM NO.	DESCRIPTION	QUANTITY			PART NO.		
		V434	A434	A640	1974	1973	1972
1	Seat	1				414 1441	414 1086
2	Hinge	2	2	2	414 1136	414 1136	414 1136
3	Rivet	6	6	6	390 4011	390 4011	390 4011
4	Screw	6	6	6	345 7062	345 7062	324 1060
5	Offset Cover	1	1	1	571 1724	571 1724	571 1724
6	Rivet	6	6	6	390 4022	390 4022	390 4006
7	Padded Backrest	1				414 1439	414 1236
8	Seat		1	1	414 1442	414 1442	414 1085
9	Padded Backrest		1	1	414 1440	414 1440	414 1062

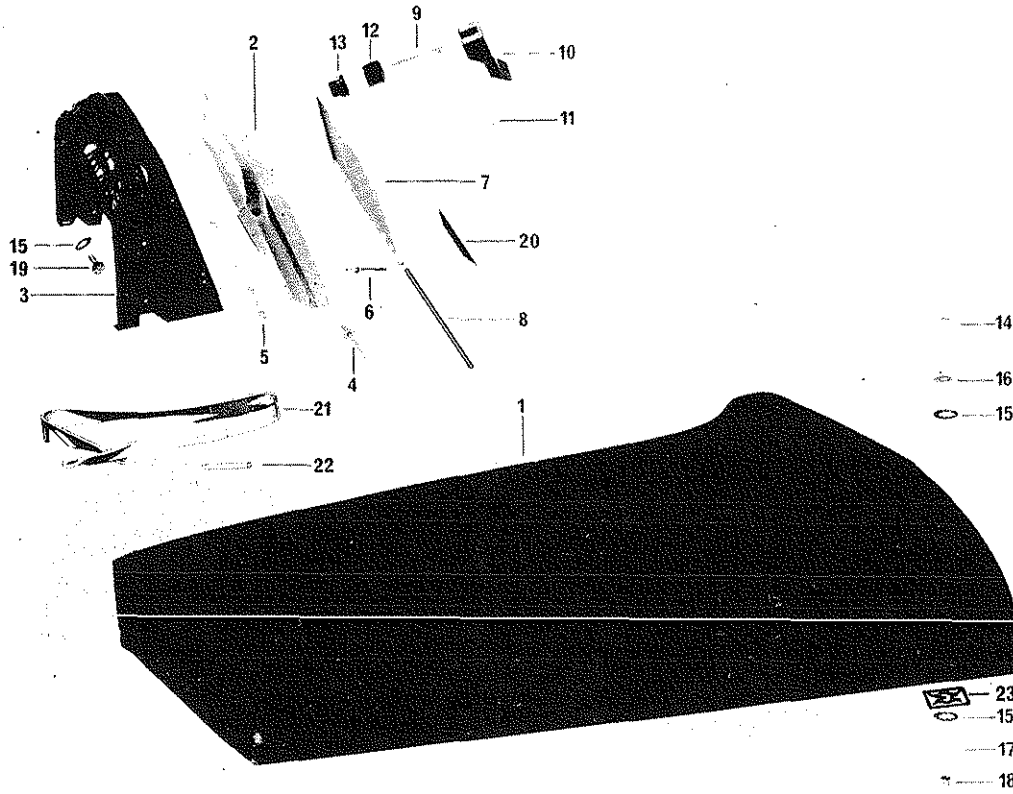
SEAT (T'NT - EVEREST)

1974



ITEM NO.	DESCRIPTION	QUANTITY				PART NO.		
		294	343	440	EVT	1974	1973	1972
1	N Seat	1	1	1		414 2017	414 1292	414 1002
1	N Seat				1	414 2018		
2	Rear Cap	1	1	1			572 2750	
3	Trunk Member	1	1	1			517 0641	
4	Rivet	2	2	2			390 4001	
4	Rivet	4	4	4			390 4007	
5	Hinge	1	1	1			572 2752	
6	Rivet	5	5	5			390 9018	
7	Door	1	1	1			572 2751	
8	Hinge Pin	2	2	2			517 0597	
9	Threaded Screw	1	1	1			517 0598	
10	Latch	1	1	1			572 2740	
11	Pin	1	1	1			414 1411	
12	Rubber Spacer	1	1	1			570 2702	
13	Plastic Nut	1	1	1			572 2747	
14	Screw	4	4	4			300 1004	300 1003
15	Washer	3	3	3			399 8010	
16	Washer	4	4	4			399 9015	
17	Washer	4	2	2	2	399 9015	399 9008	399 9008
18	Nut (1 #389 8053, Ground in 72)	4	2	2	2	386 9003	386 6019	386 6019
19	Screw (Tail Lamp Ground)	1	1	1			365 9005	
20	Insulator	1	1	1			570 2709	
21	Seat Belt	1	1	1			414 1286	
22	Pin	2	2	2			517 0579	
2. <input type="checkbox"/>	N Speed Grip Nut	2	2	2		389 9024		

SEAT (T'NT F.A.)

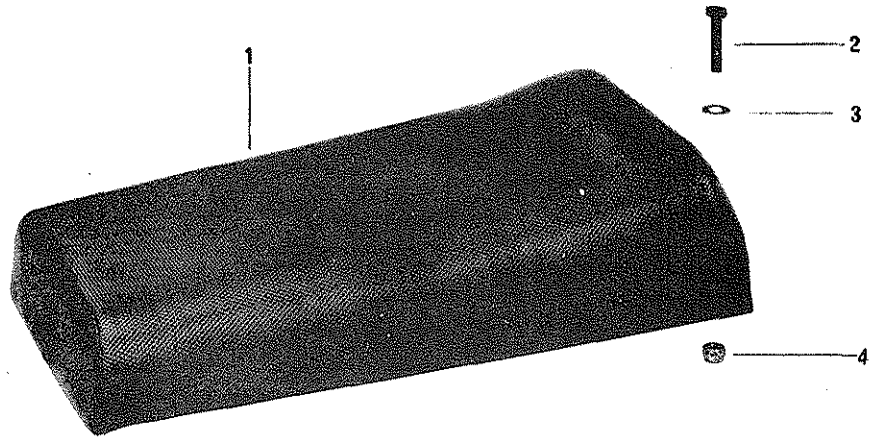


ITEM NO.	DESCRIPTION	QUANTITY			PART NO.		
		346	396	436	1974	1973	1972
1	N Seat	1	1	1	414 2019	414 1588	
2	Rear Cap	1	1			572 2730	
3	Trunk Member	1	1			517 0600	
4	Rivet	6	6			390 4001	
5	Hinge	1	1			572 2737	
6	Rivet	5	5			390 9018	
7	Door	1	1			572 2738	
8	Hinge Pin	2	2			517 0597	
9	Threaded Screw	1	1			517 0598	
10	Latch	1	1			572 2740	
11	Pin	1	1			414 1411	
12	Rubber Spacer	1	1			570 2702	
13	Plastic Nut	1	1			572 2747	
14	Screw	4	4			300 1004	
15	Washer (Int. Tooth), 3 in 1973	1	1	1	394 1022	399 8010	
16	Washer	4	4			399 9015	
17	Washer, 4 in 1973	2	2	2	399 9008	399 9008	
18	Nut, 4 in 1973	2	2	2	386 9003	386 6019	
19	Screw (Ground)	1	1			300 1000	
20	Insulator	1	1			570 2709	
21	Seat Belt	1	1	1	414 1286	414 1286	
22	N Pin	2	2	2	517 0765	517 0579	
23	N Speed Grip Nut	2	2	2	389 9024		



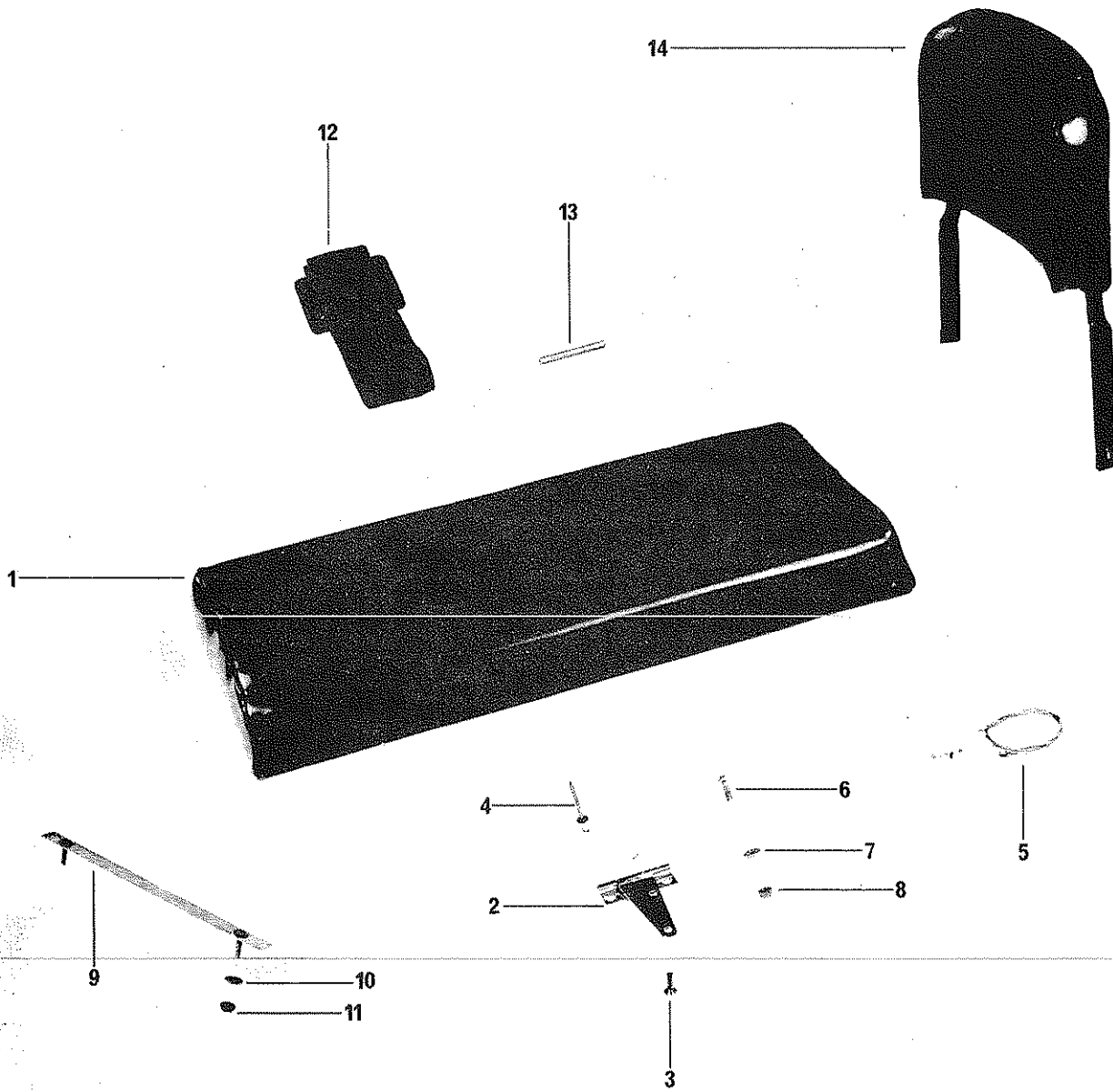
SEAT (T'NT)

1974



ITEM NO.	DESCRIPTION	QUANTITY			PART NO.	
		400	640	775	1972	
1	Seat	1			414 1002	
1	Seat		1	1	414 1080	
2	Screw	2	2	2	300 1003	
3	Washer	3	3	3	399 9008	
4	Nut (Ground)	1	1	1	389 8053	
4	Nut	1	1	1	386 6019	

SEAT (Skandic)



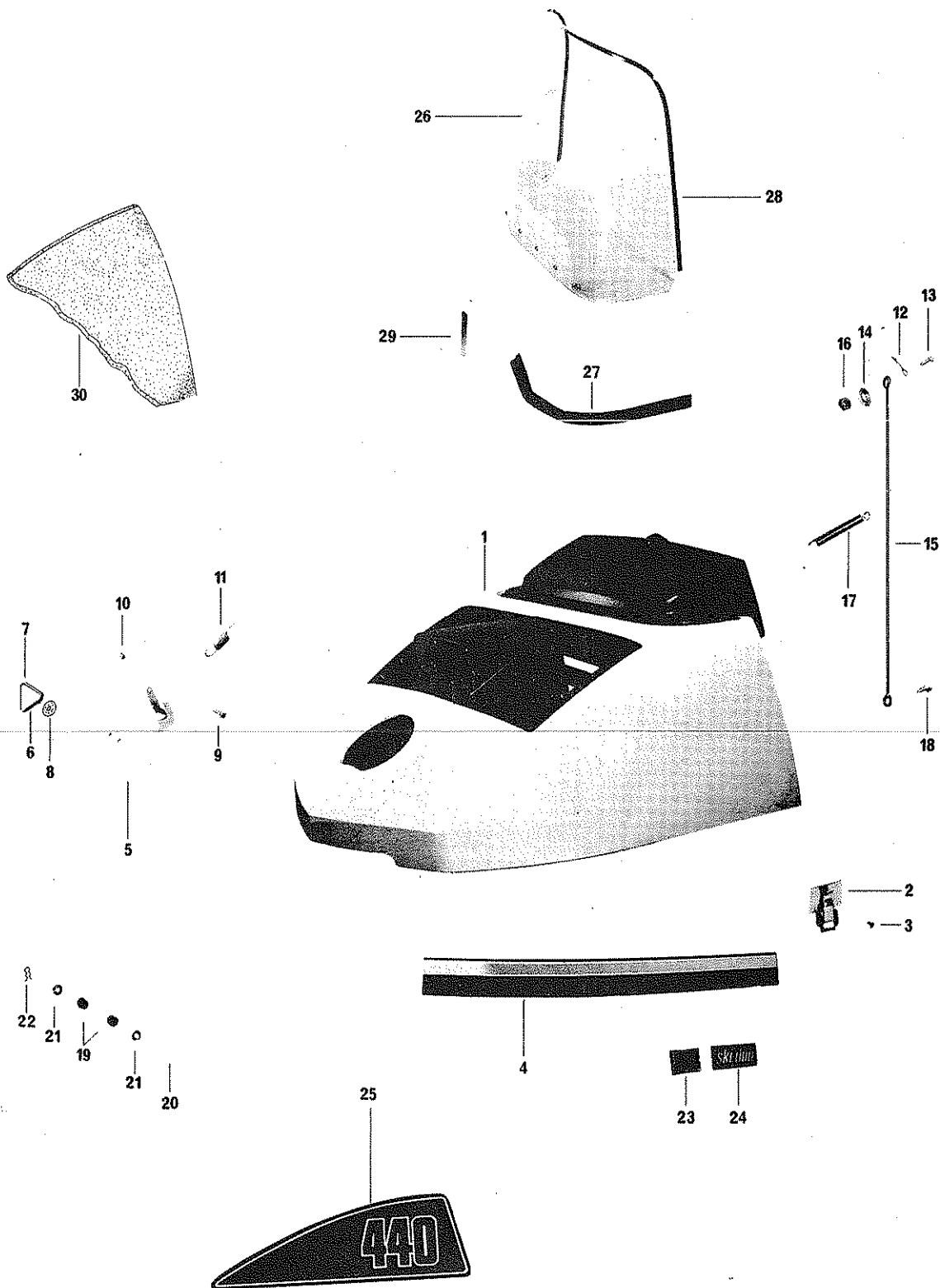
ITEM NO.	DESCRIPTION	QUANTITY		PART NO.	
		337		1973	
1	Seat	1		414 1491	
2	Hinge	2		414 1136	
3	Screw	6		345 7062	
4	Rivet	5		390 4022	
5	Retainer Cable	1		414 1092	
6	Screw	2		320 1062	
7	Washer	2		399 9018	
8	Nut	1		386 6013	
12	Seat Belt	1		414 1492	
13	Pin	1		517 0519	
14	Backrest	1		414 1502	

CAB (ELAN)
292 (1 Cyl.) in 1972 Only 294 (2 Cyl.) in 1974 Only

1974

ITEM NO.	DESCRIPTION	QUANTITY					PART NO.		
		247	248	249	292	294	1974	1973	1972
1	N Cab	1	1		1		561 7113	561 7080	572 1767
1 □	N Cab			1		1	561 7114	561 7080	
2	Cabin Latch	2	2	2	2	2	414 1082	414 1082	414 1082
3	Rivet	8	8	8	8	8	390 9018	390 9018	390 9018
4	N Stripe (Mult 12")	AR	AR	AR	AR	AR	414 1957	414 1291	414 0850
5	N Stripe (Mult 12")		AR	AR		AR	414 1952	414 1325	
6	Identification Plate	1	1	1	1	1	572 1709	572 1709	572 1709
7	N Identification Label	1	1	1	1	1	414 1657	414 0853	414 0853
8	Push Nut	2	2	2	2	2	389 8043	389 8043	389 8043
9	Decal	1	1	1	1	1	414 1393	414 1393	414 1232
10	Cab Trim (Mult 12")	AR	AR	AR	AR	AR	414 1304	414 1304	414 1119
11	Ski-Doo Identification	2	2	2		2	414 1283	414 1283	
12	Reflector	2	2	2		2	414 1285	414 1285	
	Reflector Stripe R.H. - L.H.	1			1				414 1049
13	Screw	5	5	5	5	5	321 7064	330 5064	309 8057
14	Washer	5	5	5	5	5	399 9006	399 9006	399 9006
15	Washer	5	5	5	3	5	399 9018	399 9018	399 9018
16 □	N Well Nut	5	5	5	3	5	389 9027	389 8063	389 8063
17	Windshield	1			1		414 1223	414 0856	414 0856
17	Windshield		1	1		1	414 1223	414 1223	
18	Windshield Protector (Mult 12")	AR			AR				414 0480
19	Windshield Anchor Strip	1	1	1	1	1	572 1797	572 1797	572 1797
20	Anchor Tab	9	9	9	9	9	517 0142	517 0142	517 0142
21	R.H. Louvre	1				1			572 1795
21	L.H. Louvre	1				1			572 1796
22	Retainer Cable	1	1	1	1	1	414 1092	414 1092	414 1092
23	Spring	1	1	1	1	1	414 0728	414 0728	414 0728
24	Screw	1	1	1	1	1	321 7040	321 7040	365 9001
25	Washer	1	1	1	1	1	399 9018	399 9018	399 9018
26	Screw	1	1	1	1	1	365 9006	365 9005	365 9005
27 □	Push Nut	1	1	1	1	1	389 8010	389 8043	
28 □	N Side Decal Set			1			414 2031	414 1548	
28	N Side Decal Set					1	414 1698		
29	Label SS				1				414 1298

CAB (OLYMPIQUE)

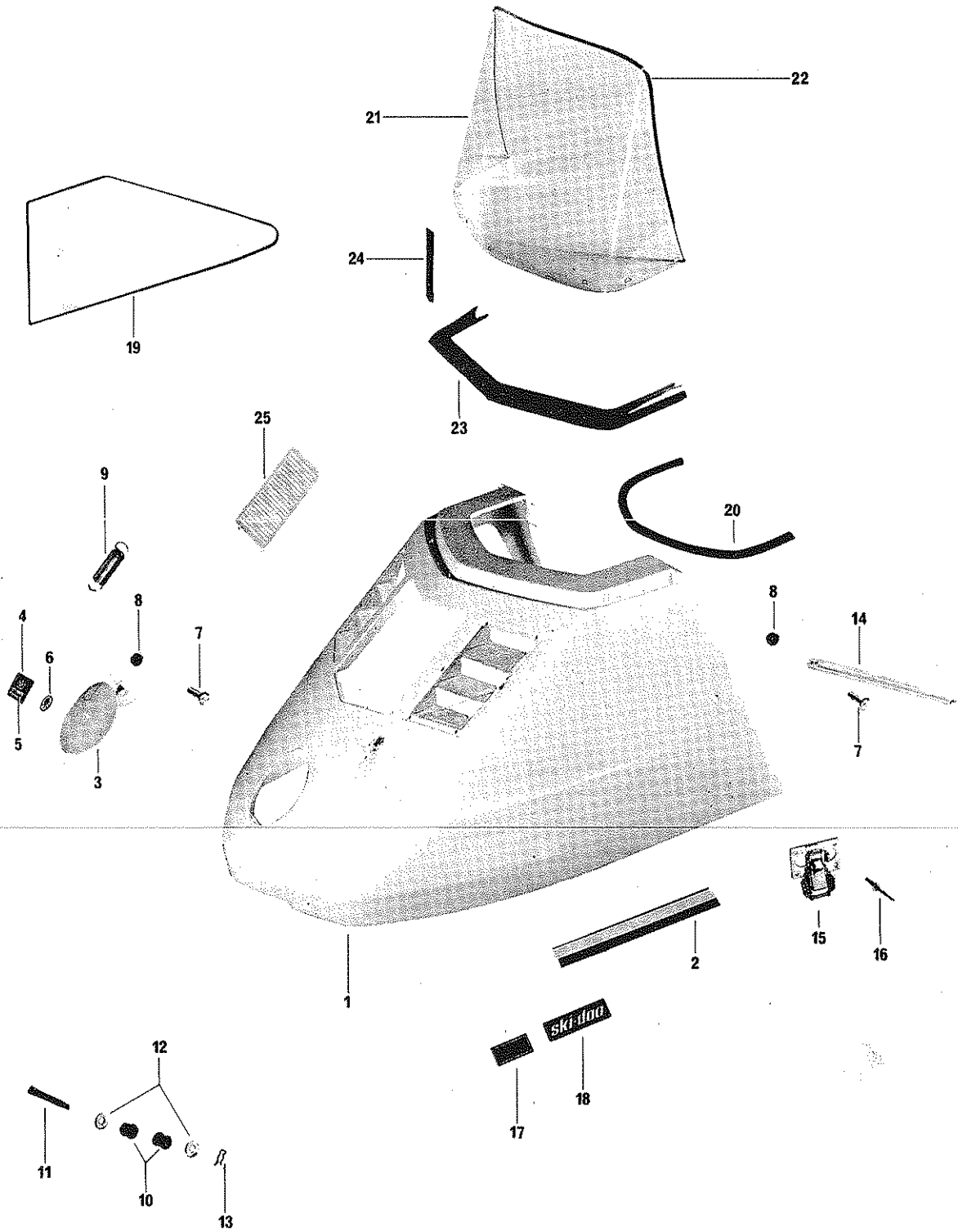


CAB (OLYMPIQUE)
In 1974 - 302-338-401 Only

1974

ITEM NO.	DESCRIPTION	QUANTITY					PART NO.		
		302	337	338	401	434	1974	1973	1972
1	N Cab	1	1				561 7081	561 7079	572 1756
1	N Cab			1	1	1	572 3716	561 7079	572 1756
	R.H. Louvre	1	1		1				572 2706
	L.H. Louvre	1	1		1				572 2707
	Front Decal R.H. & L.H.	1	1		1				414 1052
2	Cabin Latch	2	2	2	2	2	414 1276	414 1276	414 1082
3	Rivet	8	8	8	8	8	390 9018	390 9018	390 9018
4	Reflective Stripe (Mult 12")	AR					414 1302	414 1302	414 1048
4	Reflective Stripe (Mult 12")		AR	AR	AR	AR	414 1302	414 1302	414 1048
5	Filler Door	1	1				572 1725	572 1725	572 1725
5	N Filler Door			1	1	1	572 3717	572 1725	572 1725
6	Identification Plate	1	1	1	1	1	572 1708	572 1708	572 1708
7	Identification Label	1	1	1	1	1	414 0625	414 0625	414 0625
8	Push Nut	2	2	2	2	2	389 8043	389 8043	389 8043
9	Screw	2	2	2	2	2	320 1062	320 1062	320 1062
10	Nut	2	2	2	2	2	386 6013	386 6013	386 6013
11	Spring	1	1	1	1	1	414 0642	414 0642	414 0642
12	Cotter Pin	1	1	1	1	1	371 0062	371 0062	371 0062
13	Screw	1	1	1	1	1	321 7063	321 7041	321 7041
14	Washer	3	3	3	3	2	399 9018	399 9018	
15	Retainer Cable	1	1	1	1	1	414 1093	414 1093	414 0574
15	Open Barrel	2	2		2				409 0021
16	Nut	1	1	1	1	1	386 9002	389 8010	389 8010
17	Spring	1	1	1	1	1	414 0728	414 0728	414 0728
18	Sheet Metal Screw	1	1	1	1	1	365 9006	365 9006	390 9001
19	Grommet	4	4	4	4	4	572 1763	572 1763	572 1763
20	Hinge Pin	2	2	2	2	2	517 0463	517 0463	517 0463
21	Washer	4	4	4	4	4	399 9018	399 9018	399 9018
22	Retainer Clip	2	2	2	2	2	414 0189	414 0189	414 0189
23	Reflector	2	2	2	2	2	414 1285	414 1285	
24	Ski-Doo Identification	2	2	2	2	2		414 1283	
25	N Side Decal R.H. & L.H. (Only on 337 in 1973)	1	1				414 1776	414 1706	
25	□ N Side Decal R.H. & L.H.			1	1	1	414 1932	414 1551	
26	Windshield	1	1	1	1	1	414 1284	414 1284	414 0864
27	Windshield Anchor Strip	1	1	1	1	1	570 1764	570 1764	570 1764
28	Windshield Protector (Mult 12")	AR	AR	AR	AR	AR			414 0480
29	Windshield Anchor Tab	9	9	9	9	9	517 0142	517 0142	517 0142
30	Aphonic Foam (Mult 12")					AR		414 1540	

CAB (NORDIC)

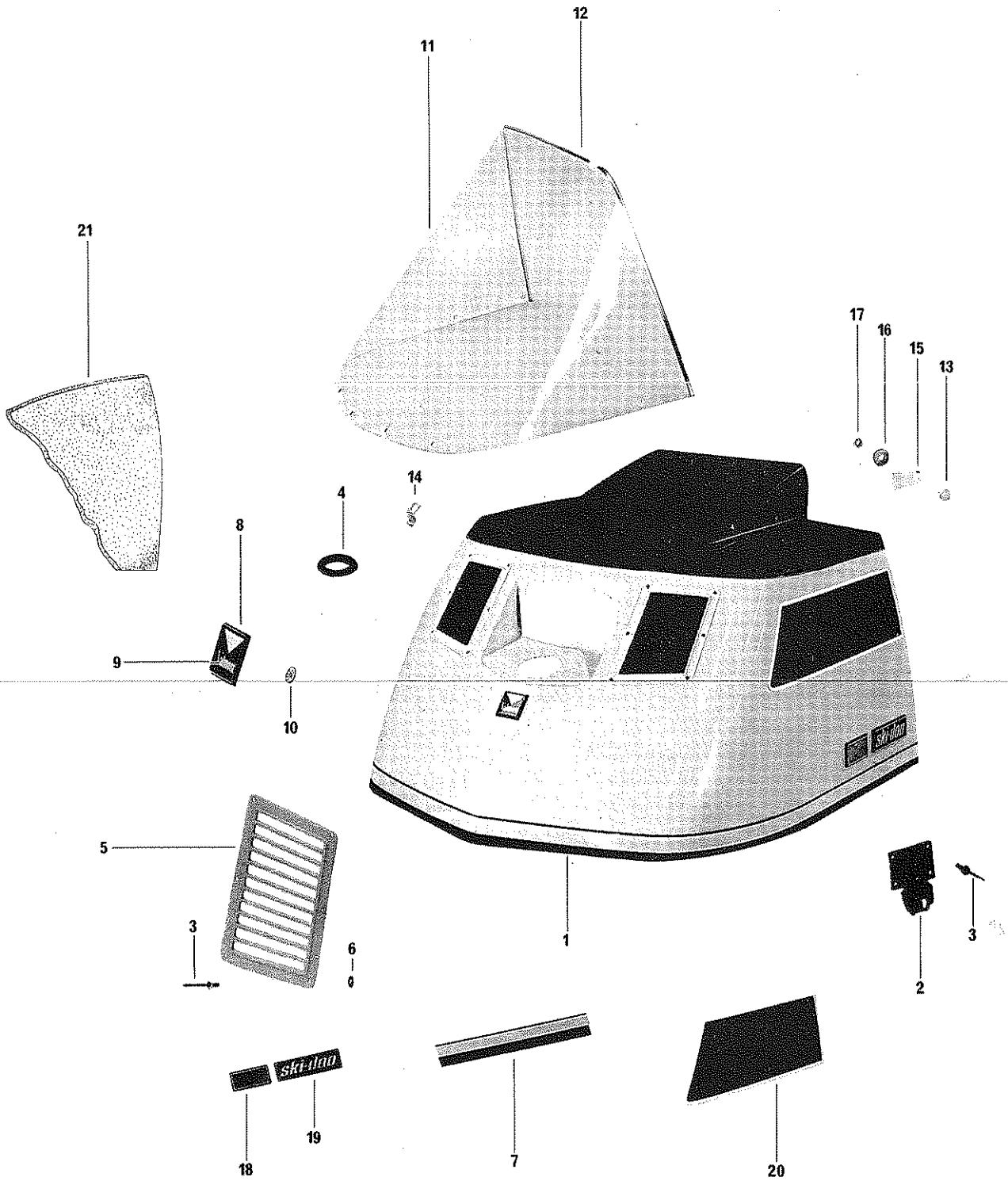


CAB (NORDIC)
434 in 1972 Only

1974

ITEM NO.	DESCRIPTION	QUANTITY		PART NO.		
		434	640	1974	1973	1972
1	Cab		1	572 2769	572 2769	572 1788
	Cab	1				572 1764
2	Reflective Stripe		1	414 1450	414 1450	414 1165
	Cabin Stripe (Mult 12")	AR				414 0850
3	Filler Door		1	572 2771	572 2771	572 1789
	Filler Door	1				572 1738
4	Identification Plate	1	1	572 1706	572 1706	572 1706
5	Identification Label		1	414 0872	414 0872	414 0872
	Identification Label	1				414 0873
6	Push Nut	2	2	389 8043	389 8043	389 8043
7	Screw	3	3	320 1062	320 1062	320 1062
8	Nut	3	3	386 6013	386 6013	386 6013
9	Spring	1	1	414 0497	414 0497	414 0497
10	Grommet	6	6	572 1763	572 1763	572 1763
11	Hinge Pin	2	2	517 0465	517 0465	517 0465
12	Washer	4	4	399 9018	399 9018	399 9018
13	Retainer Clip	2	2	414 0189	414 0189	414 0189
14	Cab Holder	1	1	517 0588	517 0588	517 0351
15	Cabin Latch	2	2	414 1276	414 1276	414 1082
16	Rivet	8	8	390 9018	390 9023	390 9023
17	Reflector		2	414 1285	414 1285	414 1165
	R.H. & L.H. Stripe Reflector	1				414 1050
18	Ski-Doo Identification		2	414 1283	414 1283	414 1170
19	N R.H. & L.H. Side Decal		1	414 1833	414 1461	414 1057
20	N Cab Trim (Mult 12")	AR	AR	414 1304	414 1119	414 1119
21	Windshield		1	414 1348	414 1348	414 1164
	Windshield	1				414 0927
22	Windshield Protector (Mult 12")	AR	AR			414 0480
23	Windshield Anchor Strip	1	1	572 1799	572 1799	572 1799
24	Windshield Anchor Tab	9	7	517 0142	517 0142	517 0142
	Chrome Stripe (26 1/2" L)		2			414 1171
	Chrome Stripe (10" L)		2			414 1185
25	R.H. Louvre	1				572 1790
25	L.H. Louvre	1				572 1791
25	R.H. Louvre		1			572 1792
25	L.H. Louvre		1			572 1793

CAB (VALMONT - ALPINE)



CAB (VALMONT – ALPINE)
In 1974 Alpine 434ER – 640 ER Only

1974

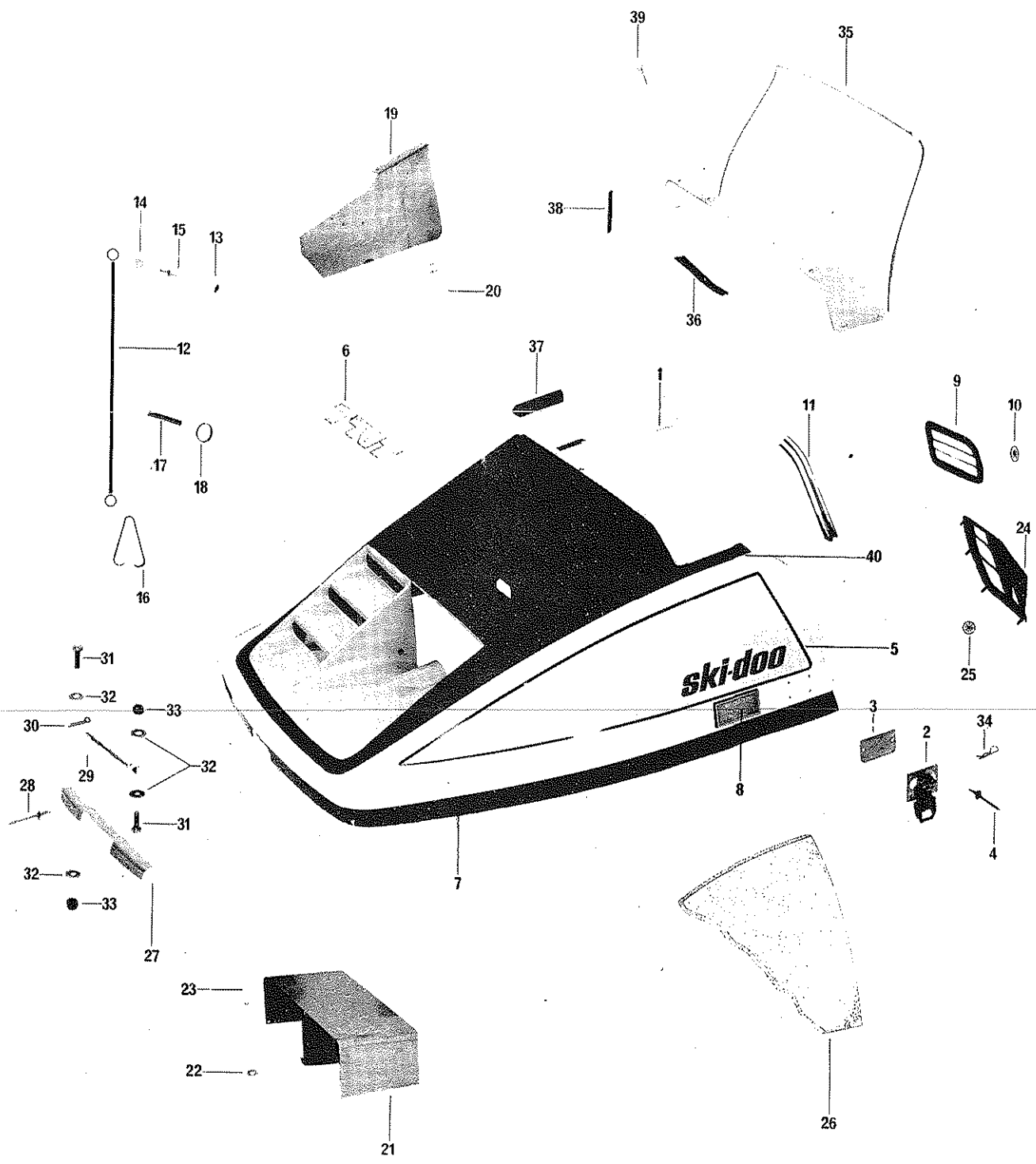
ITEM NO.	DESCRIPTION	QUANTITY			PART NO.		
		V434	A434	A640	1974	1973	1972
1	Cab	1	1	1	571 2737	571 2737	571 2709
2	Cabin Latch	2	2	2	414 1082	414 1082	414 1082
3	Rivet	20	20	20	390 4019	390 4019	390 4019
4	Filler Pipe Grommet	1	1	1	570 2710	570 2710	570 1719
5	Louvre	2	2	2	572 1751	572 1751	572 1751
6	Washer	12	12	12	399 9028	399 9028	399 9028
7	N Stripe (Mult 12")	AR	AR	AR	414 1956	414 1291	414 1053
8	Identification Plate	1	1	1	572 1706	572 1706	572 1706
9	Identification Label (Valmont)	1				414 0871	414 0871
9	Identification Label (Alpine)		1	1	414 0870	414 0870	414 0870
10	Push Nut	2	2	2	389 8043	389 8043	389 8043
10 □	Rubber Spacer		2	2	570 1230		
10	Grommet	2	2	2		570 1224	
11	Windshield	1	1	1	414 1543	414 1543	414 0761
12	Windshield Protector (Mult 12")	AR	AR	AR		414 0480	414 0480
13 □	Carriage Bolt	11	11	11	360 8011	360 8011	360 8011
14	Clip	2	2	2	513 0053	513 0053	513 0053
15	Clip	2	2	2	517 0239	517 0239	517 0239
16	Washer	11	11	11	399 9023	399 9023	399 9023
17	Nut	11	11	11	386 9002	386 9002	386 9002
18	Reflector	2	2	2	414 1285	414 1285	
19	Ski-Doo Identification	2	2	2	414 1283	414 1283	
20	R.H. & L.H. Side Decal	1				414 1482	
21	Aphonic Foam (Mult 12")			AR	414 1540	414 1540	

CAB (T'NT - EVEREST)

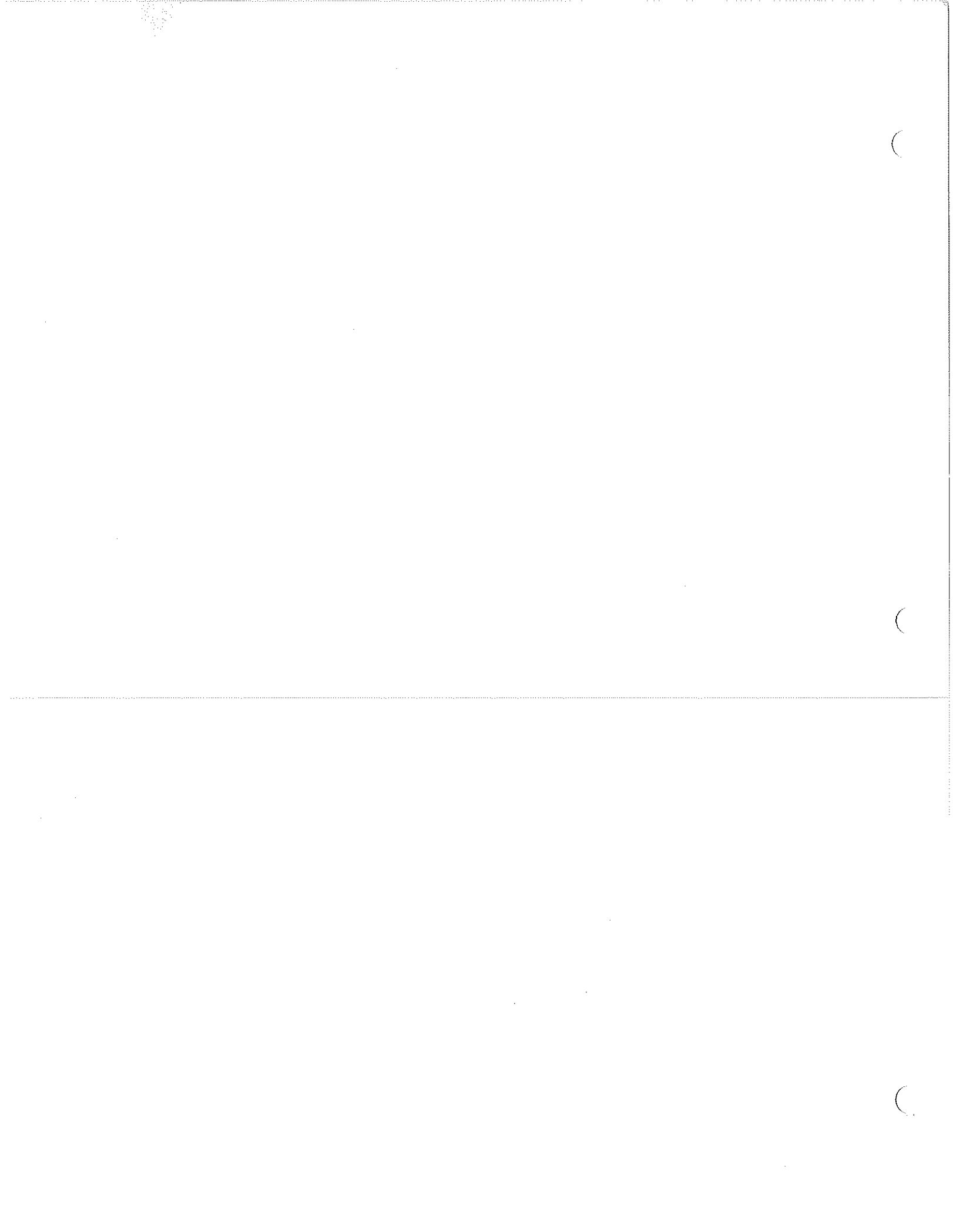


ITEM NO.	DESCRIPTION	QUANTITY				PART. NO.	
		294	343	440	EVT	1974	
1 <input type="checkbox"/>	N Cab	1				571 2775	
1	N Cab		1	1	1	571 1276	
2	Cabin Latch	2	2	2	2	414 1276	
3 <input type="checkbox"/>	N Rivet	8	8	8	8	390 9038	
4	N Identification Label	1	1	1	1	414 1834	
5	N Stripe (Mult. 12")	AR	AR	AR	AR	414 1952	
6	Reflector	2	2	2	2	414 1285	
7	Cab Trim (Mult. 12")	AR	AR	AR	AR	414 1304	
8	N Deflector Duct	1	1	1	1	517 0814	
9 <input type="checkbox"/>	Rivet	2	2	6	6	390 4014	
10 <input type="checkbox"/>	Rivet	3	3	9	9	390 4007	
11	N Cabin Holder (Upper)		1	1	1	517 0749	
12	N Cabin Holder (Lower)		1	1	1	517 0750	
11-12 <input type="checkbox"/>	Retainer Cable	1				414 1093	
13	Screw	1	2	2	2	321 7064	
14	Washer	2	2	2	2	399 9018	
15	Spring (Retainer Cable)	1				414 0728	
15	Spring		1	1	1	414 0616	
16	Nut	1	3	3	3	386 9002	
17 <input type="checkbox"/>	Screw	1				363 1074	
17	Screw		1	1	1	321 7063	
18 <input type="checkbox"/>	Washer	1				399 9023	
18	Washer		1	1	1	399 9041	
19	N Windshield	1	1	1		414 1790	
19	N Windshield				1	414 1942	
20 <input type="checkbox"/>	Windshield Moulding	1	1	1	1	414 1652	
21	Screw	3	3	3	3	363 0073	
22	N Ring	2	2	2	2	414 1921	
23	N Grommet	5	5	5	5	572 3711	
24	N Clip	5	5	5	5	414 1917	
25	Hinge Pin	2	2	2	2	517 0461	
26	Washer	4	4	4	4	399 9018	
27	Retainer Clip	2	2	2	2	414 0189	
28	N Aphonic Foam (Mult. 12")	AR	AR	AR	AR	414 1814	
29	N R.H. Deflector			1	1	517 0799	
29	N L.H. Deflector			1	1	517 0800	
30	N Duct			2	2	517 0798	
31 <input type="checkbox"/>	Rivet (for duct)			8	8	390 4007	
32 <input type="checkbox"/>	N Louver R.H.	1	1	1	1	571 2764	
32 <input type="checkbox"/>	N Louver L.H.	1	1	1	1	571 2765	
33 <input type="checkbox"/>	N Retainer Wire (6.25" long)	2	2	2	2	517 0822	
33 <input type="checkbox"/>	N Retainer Wire (3.75" long)	2	2	2	2	517 0823	
34 <input type="checkbox"/>	N Side Decal Set	1	1	1	1	414 2071	
35 <input type="checkbox"/>	N Identification Label				1	414 1920	
36 <input type="checkbox"/>	Speed Nut	3	3	3	3	389 8030	

CAB (T'NT F.A.)



ITEM NO.	DESCRIPTION	QUANTITY			PART NO.		
		346	396	436	1974	1973	1972
1	N Cab	1	1	1	571 2766	571 2750	
2	Cabin Latch	2	2	2	414 1082	414 1082	
3	Washer	8	8	8	399 9003		
	Guide Bracket	4	4			517 0238	
4	Rivet	8	8	8	390 4014	390 4014	
5	Side Decal Set	1	1	1	414 1701	414 1701	
6	T'NT Decal	1	1	1	414 1634	414 1634	
7	Stripe (Mult 12")	AR	AR	AR	414 0850	414 0850	
8	Reflector	2	2	2	414 1285	414 1285	
9□	R.H. Louvre	1	1	1	572 2788	572 2788	
9	L.H. Louvre	1	1	1	572 2789	572 2789	
10	Push Nut	8	8	8	389 8050	389 8050	
11	Cab Trim (Mult 12")	AR	AR	AR	414 1304	414 1304	
12	N Retainer Cable	1	1	1	414 1892	414 1740	
13	Nut	1	1	1	386 9003		
14	Washer	1	1			399 9018	
15	Rivet	1	1			390 4036	
16	Key Hook	1	1			414 1564	
17	N Spring	1	1	1	414 1856	414 0728	
18	Link	1	1	1	414 0727	414 0727	
19	N Deflector	1	1	1	517 0795		
20	Rivet	3	3	3	390 4036		
21	N Cabin Scoop	1	1	1	517 0811		
22	Washer	2	2	2	391 3017		
23	Rivet	6	6	6	390 4036		
24	N R.H. Louvre	1	1	1	572 3713		
25	Push Nut	6	6	6	389 8043		
26	Aphonic Foam	AR	AR	AR	414 1540	414 1540	
26	N Aphonic Foam	AR	AR	AR	414 1814		
27	N Hinge Support	1	1	1	517 0768	517 0665	
28	Rivet	6	6	6	390 4036	390 4036	
29	N Hinge Ass'y	1	1	1	414 1854		
	Hinge Half Bottom	1	1			518 0688	
	Hinge Half Top	1	1			517 0666	
	Pin	1	1			561 7104	
30	Cotter Pin	1	1			371 0001	
31□	Screw	4	4	4	301 3001	300 9001	
32	Washer	8	8	8	399 9015	399 9015	
33	Nut	4	4	4	386 9003	386 6019	
34	Hair Pin	2	2	2	414 1196	414 0322	
35	Windshield	1	1	1	414 1640	414 1640	
36	Windshield Moulding	1	1	1	414 1652	414 1652	
37	Anchor Strip	2	2	2	414 1690	414 1690	
38	Anchor Tab	2	2	2	517 0142	517 0142	
39	Screw	5	5	5	363 0073	363 0073	
40	Stripe (Mult 12")	AR	AR			414.1742	



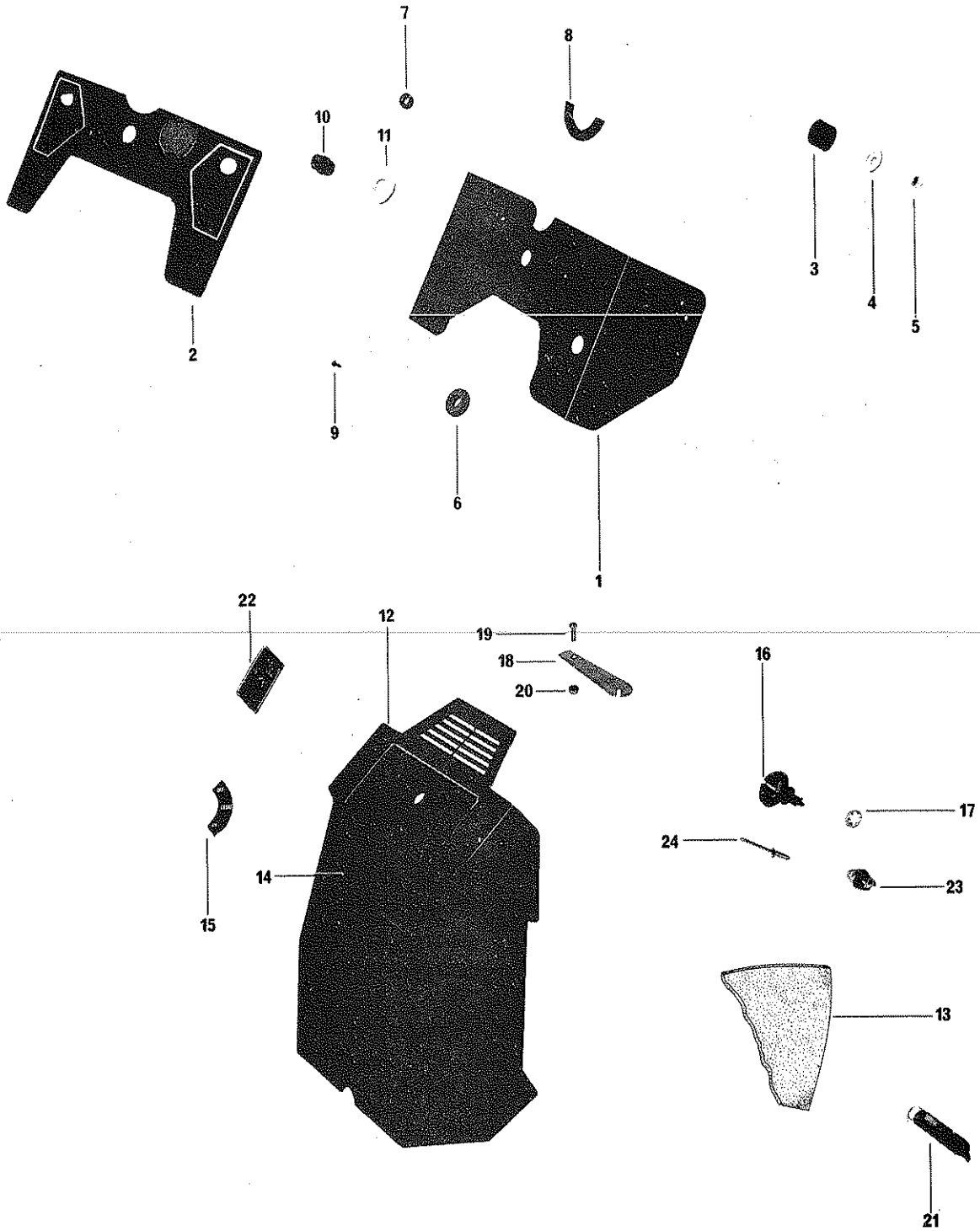
CONSOLE (ELAN)

1974

292 (1 Cyl.) in 1972 Only 294 (2 Cyl.) in 1974 Only

ITEM NO.	DESCRIPTION	QUANTITY					PART NO.		
		247	248	249	292	294	1974	1973	1972
1	N Console	1					572 2791	572 2717	572 1718
1	N Console		1		1		572 2792	572 2776	571 2733
1	<input type="checkbox"/> N Console			1			572 2792	572 2742	
1	N Console					1	572 2793		
2	Spring	1	1		1			414 1120	414 0578
3	Bombardier Crest (Manual)	1					414 0840	414 0840	414 0840
3	Bombardier Crest (Electric)	1					414 0841	414 0841	414 0841
3	Bombardier Crest		1				414 1267	414 1267	
3	<input type="checkbox"/> Bombardier Crest			1			414 1267	414 1570	
3	Bombardier Crest				1				414 0935
3	N Bombardier Crest					1	414 1774		
4	Louvre		1					572 2775	
5	Screw		4					365 0004	
6	Choke Label	1	1					414 0577	414 0577
7	<input type="checkbox"/> Aphonic Foam (Mult 12") (249 in 1973 only)			1		1	414 1540	414 1540	
8	Decompressor Knob	1					572 2724	572 2724	572 1760
9	Washer	1					399 9069	399 9069	399 9045
10	Latch	1	1	1		1	414 1473	414 1473	
11	Rivet	2	2	2		2	390 4014	390 4014	
12	Plate	1	1	1		1	517 0637	517 0637	
13	Rivet	2	2	2		2	390 4016	390 4016	
	<input type="checkbox"/> Louvre (Not Illustrated)					2	572 1798		
	<input type="checkbox"/> Push Nut (Not Illustrated)					12	389 8050		

DASH & CONSOLE (302 - 337 OLYMPIQUE)

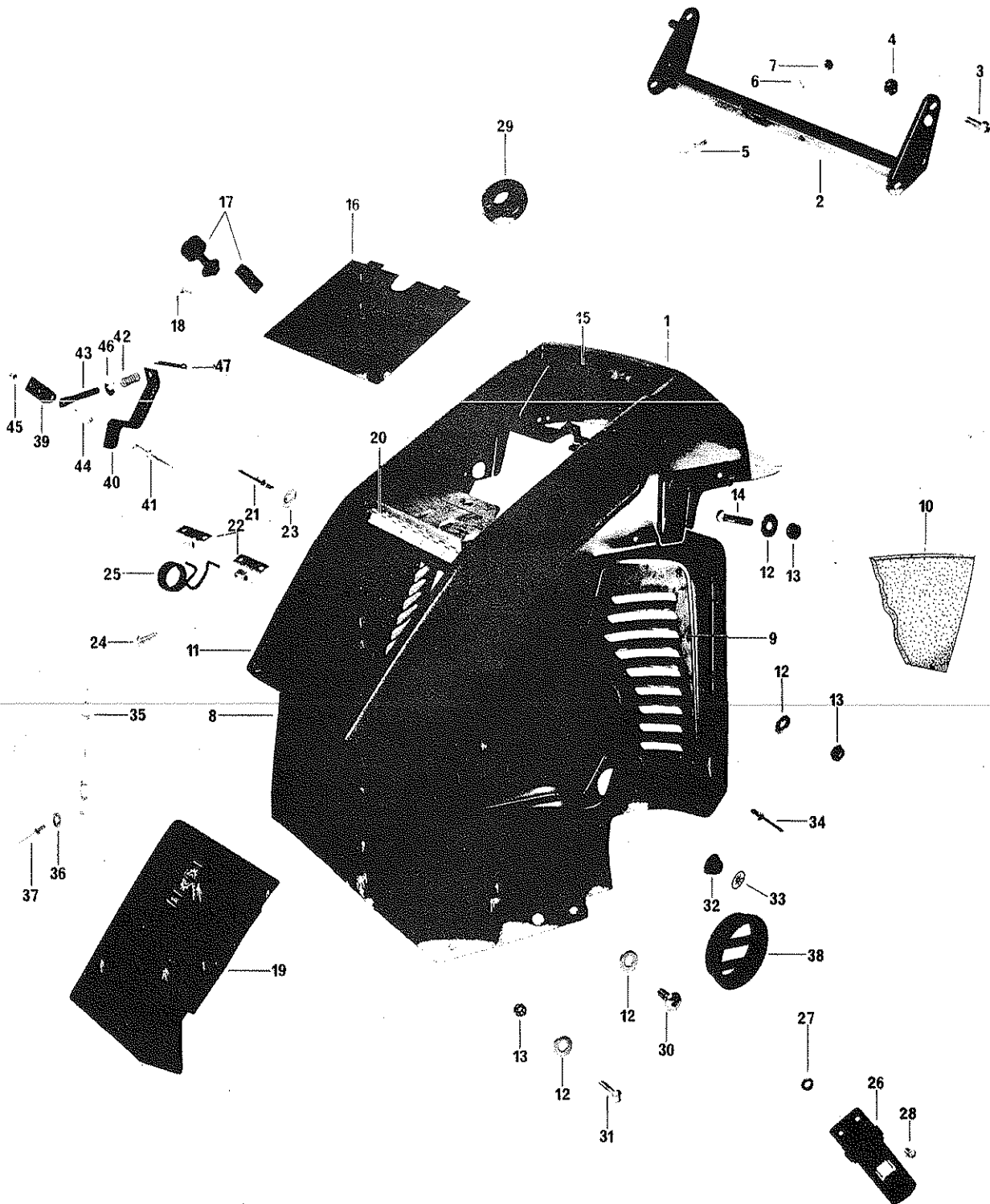


CONSOLE (338 - 401 - 434 OLYMPIQUE)
 In 1974 - 338 - 401 Only For 401 in 1972, See Previous Page

1974

ITEM NO.	DESCRIPTION	QUANTITY			PART NO.		
		338	401	434	1974	1973	1972
1	Console	1	1		572 2743	572 2743	
1	<input type="checkbox"/> Console			1		571 2746	
2	Door	1	1	1	572 2753	572 2753	
3	Threaded Screw	1	1	1	517 0598	517 0598	
4	Door Lock	1	1	1	572 2777	572 2777	
5	Pin	1	1	1	414 1411	414 1411	
6	Rubber Spacer	1	1	1	570 2702	570 2702	
7	Plastic Nut	1	1	1	572 2747	572 2747	
8	Hinge	1	1	1	414 1352	414 1352	
9	Rivet	8	8	8	390 4014	390 4014	
10	Washer	8	8	8	399 9019	399 9019	
11	Felt Stripe (Mult 12")	AR	AR	AR	414 1421	414 1421	
12	Padding Console	2	2	2	414 1346	414 1346	
13	Washer	8	8	8	399 9018	399 9018	
14	Nut	8	8	8	386 6013	386 6013	
15	Instrument Decal	1	1	1	414 1350	414 1350	
16	Side Decal	2	2	2	414 1351	414 1351	
17	Grommet	2	2	2	570 2708	570 2708	
18	<input type="checkbox"/> Aphonic Foam (Mult 12")	AR	AR	AR	414 1540	414 1540	
19	Bombardier Crest	1			414 0936	414 0936	
19	Bombardier Crest (Electric)	1				414 1268	
19	Bombardier Crest		1		414 0814	414 0814	414 0814
19	Bombardier Crest (Electric)		1			414 0815	414 0815
19	<input type="checkbox"/> Bombardier Crest			1		414 0889	
20	Screw	2	2	2	300 1007	300 1007	
21	Rubber Spacer	2	2	2	570 2703	570 2703	
22	Washer	2	2	4	399 9008	399 9008	
23	Screw	2	2	2	300 1005	300 1005	
24	Rubber Spacer	2	2	2	570 0614	570 0614	
25	Washer	2	2	2	399 9015	399 9015	
26	Nut	4	4	4	386 6019	386 6019	
27	Cab Trim (Mult 12")	1	1	1	414 1304	414 1304	
	Insert (Not Illustrated)			1		517 0668	
	Rivet (Not Illustrated)			5		390 4035	
	Washer			2		391 0023	
	Louvre (Not Illustrated)			1		571 2751	
	Washer (Not Illustrated)			6		399 9003	
	Rivet (Not Illustrated)			6		390 4007	

CONSOLE (NORDIC)



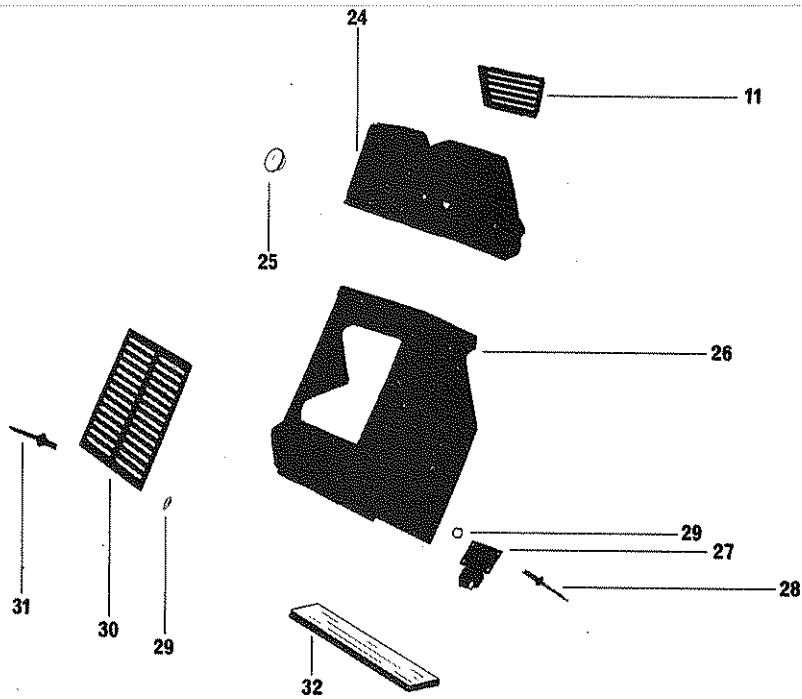
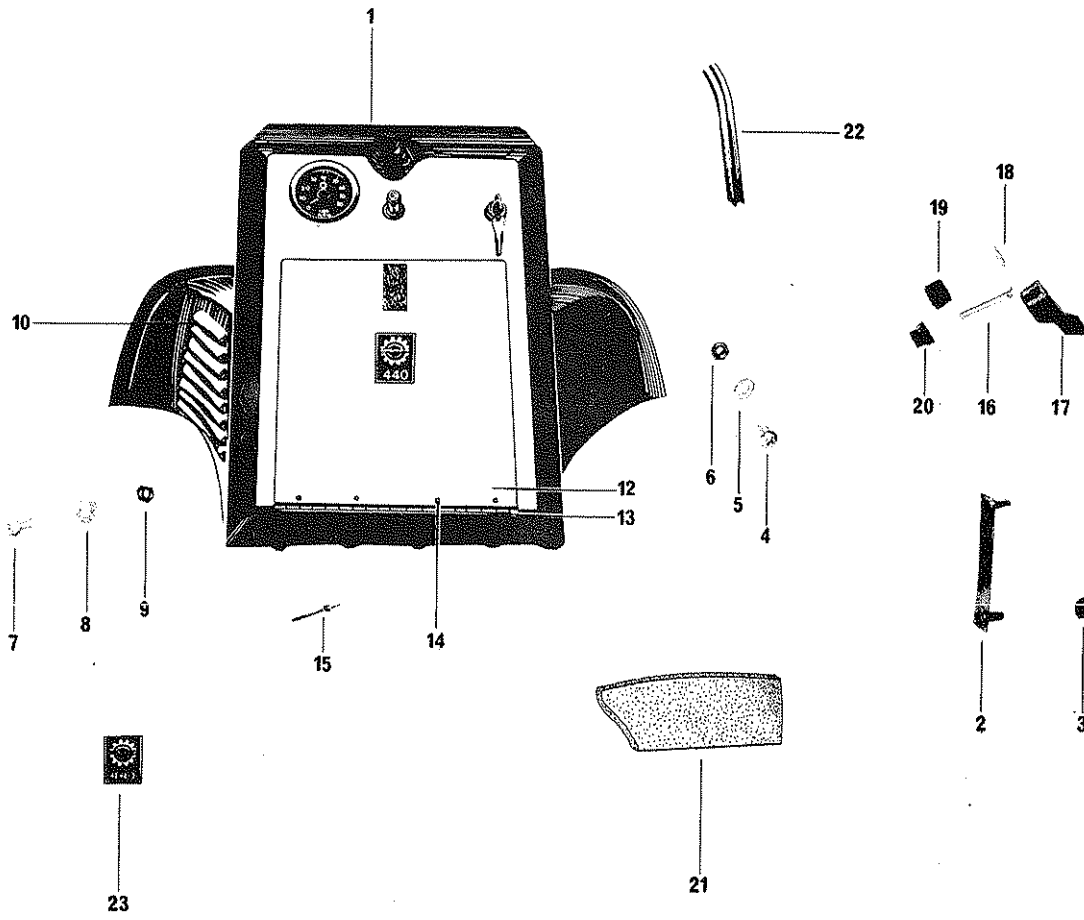
CONSOLE (NORDIC)

434 in 1972 Only

1974

ITEM NO.	DESCRIPTION	QUANTITY		PART NO.		
		434	640	1974	1973	1972
1	Dash	1	1	572 2760	572 2760	572 1765
2	Dash Support	1	1			517 0356
3	Screw	4	3			320 9062
4	Nut	4	3			386 6013
5	Screw	2	2			300 1005
6	Washer	2	2			399 9015
7	Nut	2	2			386 6019
8	N Console	1	1	561 7125	572 2757	572 1766
9	R.H. Louvre	1	1	572 2767	572 2767	
9	L.H. Louvre	1	1	572 2768	572 2768	
10	Aphonic Foam (Milt 12")		AR	414 1540	414 1540	
11	Console Padding R.H.		1	414 1380	414 1380	
11	Console Padding L.H.		1	414 1381	414 1381	
12	Washer		14	399 9018	399 9018	
13	Nut		18	386 6013	386 6013	
14	Screw		4	320 1063	320 1063	
15	Decal		1	414 1532	414 1532	
	Dash Panel R.H.	1	1			414 0954
	Dash Panel L.H.	1	1			414 0955
16	Upper Door		1	517 0634	517 0634	
17	Twist Button		1	414 1466	414 1466	
18	Rivet		2	390 4027	390 4027	
19	Door Padded		1	414 1388	414 1388	
20	Hinge		1	414 1435	414 1435	
21	<input type="checkbox"/> Rivet		2	390 4014	390 4027	
21	<input type="checkbox"/> Rivet		4	390 4015	390 4027	
22	Bracket		2		414 1533	
23	Washer		2	399 9003	399 9003	
24	Screw		3	369 0008	369 0008	
25	Coil Spring		1		414 1534	
26	Latch	2	2			414 0902
27	Washer	4	4			399 9019
28	Rivet	4	4			390 5008
29	Console Grommet		1	570 2714	570 2714	570 1780
30	Screw		4	330 5102	330 5102	
31	Screw		4	329 7063	329 7063	
32	Starter Stop		1	572 2781	572 2781	
33	Push Nut		1	389 8074	389 8074	
34	Rivet		10	390 9030	390 9030	
35	Retainer Cable		1	414 1092	414 1092	
36	Washer		2	399 9018	399 9018	
37	<input type="checkbox"/> Rivet		2	390 4023	390 4009	
38	Console Grille		1	570 2723		
39	N Bracket		2	517 0778		
40	N Lower Door Bracket		1	517 0779		
41	Rivet		2	390 4001		
42	N Spring		1	414 1889		
43	N Pin		1	517 0777		
44	Screw		1	320 1063		
45	Nut		1	386 6013		
46	<input type="checkbox"/> Washer		1	399 9007		
47	<input type="checkbox"/> Cotter Pin		1	371 8012		

CONSOLE (VALMONT - ALPINE)



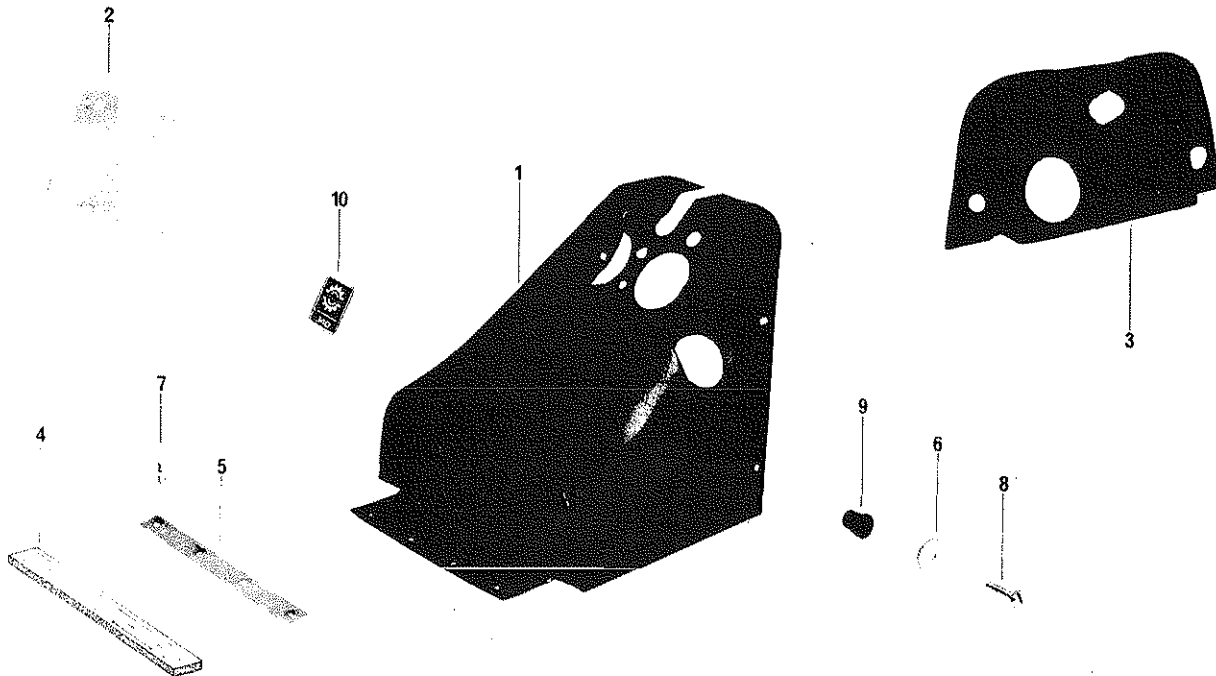
CONSOLE (VALMONT - ALPINE)
In 1974 Alpine 434ER - 640ER Only

1974

ITEM NO.	DESCRIPTION	QUANTITY			PART NO.		
		V434	A434	A640	1974	1973	1972
1	<input type="checkbox"/> Console	1	1	1	571 2740	571 2740	
2	Stud Plate	2	2	2	517 0306	517 0306	517 0306
3	Nut	4	4	4	386 6019	386 6019	386 6019
4	Screw	4	4	4	330 5102	330 5102	
5	Washer	4	4	4	399 9015	399 9015	
5	Washer	4	4	4	399 9008	399 9008	
6	Nut	4	4	4	386 6019	386 6019	
7	Screw	4	4	4	320 9061	320 9061	
8	Washer	4	4	4	399 9018	399 9018	
9	Nut	4	4	4	386 6013	386 6013	
10	Louvre	1	1	1	572 2768	572 2768	
11	Louvre R.H.	1	1	1	572 2706	572 2706	572 2706
11	Louvre L.H.	1	1	1	572 2707	572 2707	572 2707
12	Door	1	1	1	517 0631	517 0631	
13	Hinge	1	1	1	414 1449	414 1449	
14	Rivet	4	4	4	390 5011	390 5011	
15	Rivet	4	4	4	390 4014	390 4014	
16	Threaded Screw	1	1	1	517 0598	517 0598	
17	Latch	1	1	1	572 2740	572 2740	
18	Pin	1	1	1	414 1411	414 1411	
19	Rubber Spacer	1	1	1	570 2702	570 2702	
20	Plastic Nut	1	1	1	572 2747	572 2747	
21	Aphonic Foam (Mult 12")	AR	AR	AR	414 1540	414 1540	
22	Cab Trim (Mult 12")	AR	AR	AR	414 1304	414 1304	
23	Bombardier Crest	1	1			414 0889	414 0889
23	Bombardier Crest (Elect.)	1	1		414 0890	414 0890	414 0890
23	Bombardier Crest			1	414 1269	414 1269	
24	Dash	1					571 2708
25	Cap (Manuel)	1				414 0752	414 0752
26	Console	1					571 2707
27	Latch	2					414 1082
28	Rivet	8					390 4027
29	Washer	16					399 9013
30	Grille	1					517 0321
31	Rivet	8					390 4007
32	Door Tite (Mult 12")	AR					414 0898
33	<input type="checkbox"/> Rivet (Louvre 572 2768)	5	5	5	390 9030	390 9030	

CONSOLE (T'NT F.A.)

1974



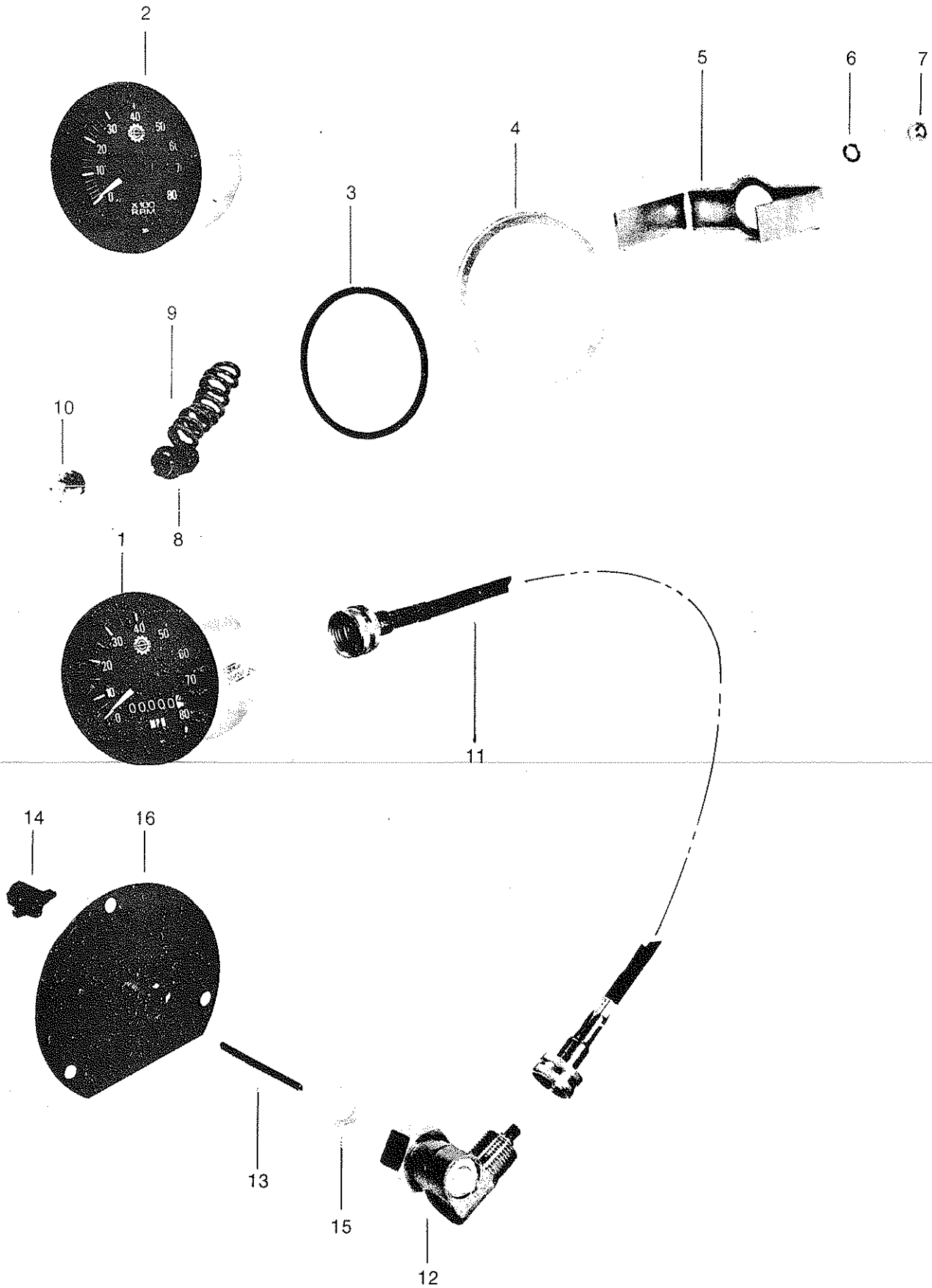
ITEM NO.	DESCRIPTION	QUANTITY			PART NO.		
		346	396	436	1974	1973	1972
1	N Console	1	1	1	572 3715		
2	N Dash Plate	1	1	1	517 0782		
3	Dash	1	1			571 2752	
4	Foam (Tank Holder)	AR	AR	AR	414 1814		
5	N Plate	1	1	1	517 0772		
6	Washer	4	4	4	399 9008		
7	Screw	4	4	4	322 5103		
8	Screw	4	4	4	301 3001	330 5064	
9	Well Nut	4	4	4	389 9030	389 9030	
10	Bombardier Crest	1			414 0936		
10	Bombardier Crest		1		414 1193		
10	Bombardier Crest			1	414 0889		

METER CASING (NORDIC)

1974

ITEM NO.	DESCRIPTION	QUANTITY		PART NO.		
				1974	1973	
1	Tachometer Ass'y	1		414 1665	414 1665	
2	Fuel Gauge Ass'y	1		414 1666	414 1666	
3	Grommet	1		414 1672	414 1672	
4	Case	1		414 1671	414 1671	
5	Speedometer Ass'y	1		414 1667	414 1667	
6	Bulb	2		414 5013	414 5013	
7	Socket (Set)	1		410 6043	410 6043	
8	Grommet	1		414 1674	414 1674	
9	<input type="checkbox"/> Bulb, Wedge Base	1		410 5013	410 5022	
10	<input type="checkbox"/> N Socket	1		410 9071	410 6042	
11	Wire Green	1		414 1677	414 1677	
12	Wire Red	1		414 1678	414 1678	
13	Washer	4		414 1679	414 1679	
14	Nut	4		414 1680	414 1680	
15	Hood	1		414 1668	414 1668	
16	Glass W/Packing	1		414 1669	414 1669	
17	Plate, Window	1		414 1670	414 1670	
18	Insulator, Terminal	2		414 1681	414 1681	
19	Packing	1		414 1682	414 1682	
20	Insulator, Terminal	1		414 1683	414 1683	
21	Packing	1		414 1684	414 1684	
22	Screw W/Washer	2		414 1685	414 1685	
23	Wire Yellow	1		414 1686	414 1686	
24	Screw W/Washer (Tapping)	9		414 1687	414 1687	
25	Screw	2		323 3069	323 3069	
25	"J" Clamp	2		517 0661	517 0661	
26	Spacer	2		517 0660	517 0660	
27	Spacer	4		517 0688	517 0688	
28	Nut	4		386 6013	386 6013	
29	Flexible Shaft Ass'y	1		414 0706	414 0706	
30	Angle Drive	1		414 0707	414 0707	
31	Cable Branch Key	1		414 0708	414 0708	
32	Washer	1		414 1433	414 1433	
33	End Bearing Housing	1		501 0034	501 0034	
34	Drive Insert	1		572 0101	572 0101	

TACHO — SPEEDO



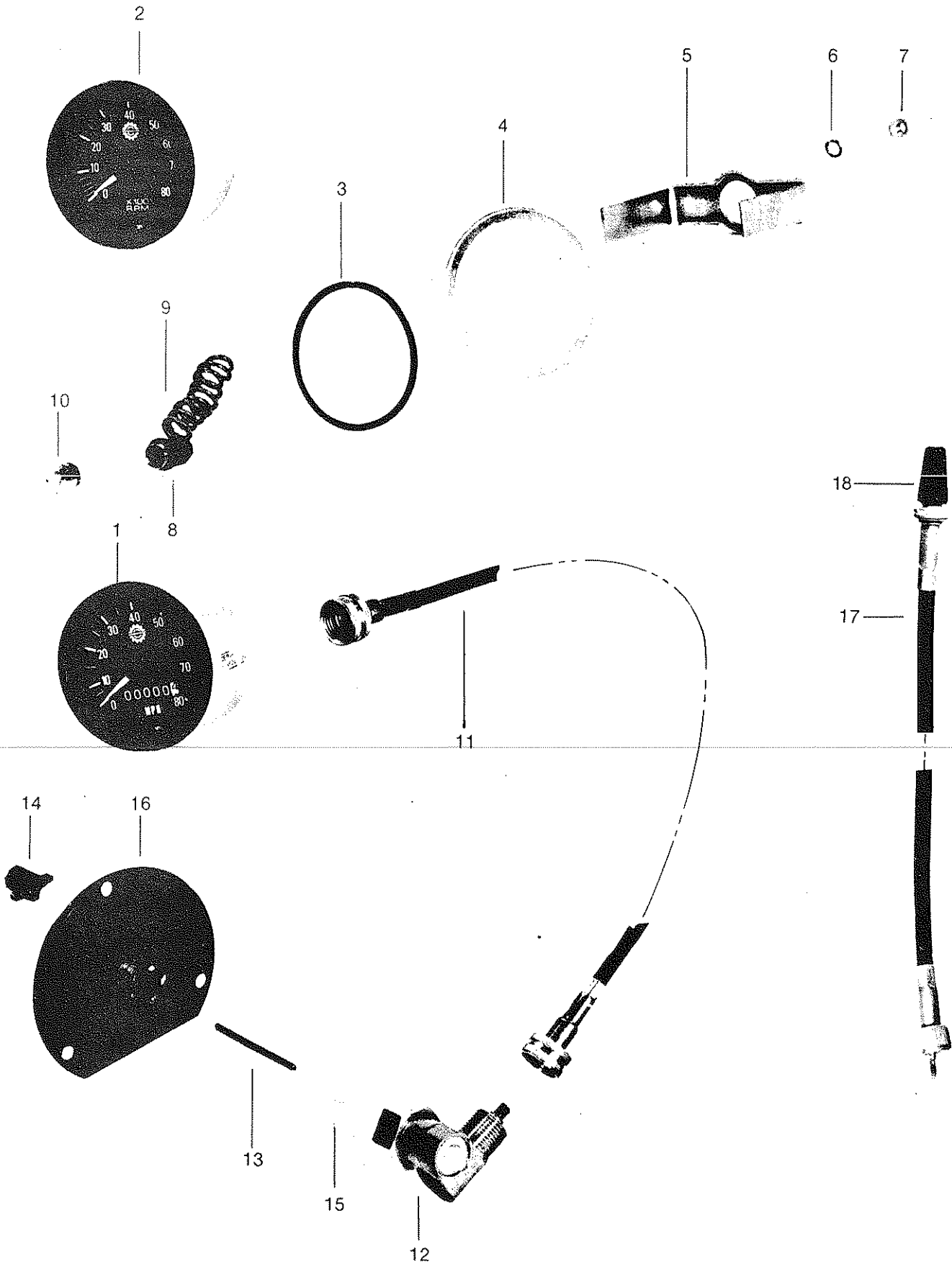
TACHO — SPEEDO

1974

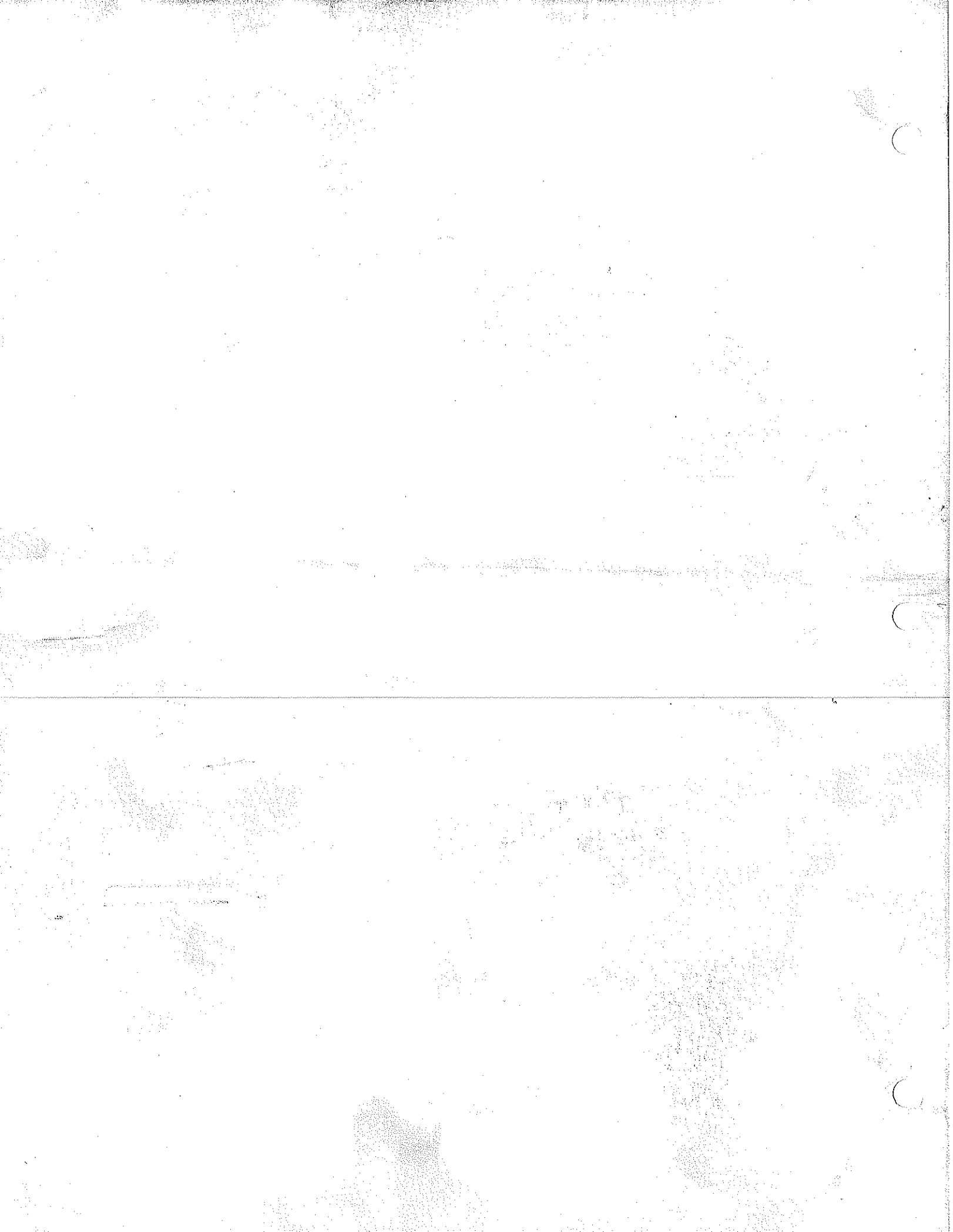
Std. on Nordic 640 in 72 - Valmont 73-72. Optional on all others

ITEM NO.	DESCRIPTION	QUANTITY				PART NO.		
		EL	OLY.	N	ALP VAL	1974	1973	1972
1	Speedometer	1	1	1		414 0710	414 0710	414 0710
2	Tachometer	1	1	1	1	414 0950	414 0950	414 0950
3	Rubber Ring	2	2	2	1	414 0711	414 0711	414 0711
4	Plate	2	2	2	1	414 0885	414 0885	414 0885
5	Case Holder	2	2	2	1	414 0704	414 0704	414 0704
6	Lock Washer	4	4	4	2	399 8023	399 8023	399 8023
7	Wing Nut	4	4	4	2	414 0703	414 0703	414 0703
8	Speedo Lamp Socket	1	1	1		410 6019	410 6019	410 6019
9	Tacho Lamp Socket	1	1	1	1	410 6018	410 6018	410 6018
10	Bulb	2	2	2	1	410 5013	410 5013	410 5013
11	Flexible Shaft	1	1			414 1100	414 1100	414 1100
11	Flexible Shaft			1		414 0706	414 0706	414 0706
12	Angle Drive	1	1	1		414 0707	414 0707	414 0707
13	Cable Branch Key	1	1	1		414 0708	414 0708	414 0708
14	Drive Insert (w/Key)	1	1	1		572 0101	572 0101	572 0101
14	Drive Insert (Reg.) E.D. 5/8"	1	1	1		414 0230	414 0230	414 0230
14	Drive Insert (Reg.) E.D. 3/4"	1	1	1		414 0231	414 0231	414 0231
14	Drive Insert (Reg.) E.D. 1/2"	1	1	1		414 0361	414 0361	414 0361
15	Washer	1	1	1		414 0949	414 0949	414 0949
16	End Bearing Housing	1	1	1		501 0034	501 0034	501 0034

TACHO — SPEEDO (T'NT — EVEREST — T'NT F.A.)



ITEM NO.	DESCRIPTION	QUANTITY			PART. NO.		
		TNT	EVT	F.A.	1974	1973	1972
1	N Speedometer (343 only in 74)	1			414 1960	414 0710	414 0710
1	N Speedometer	1	1		414 1853	414 0710	414 0710
1	N Speedometer			1	414 1960	414 0804	
2	N Tachometer	1	1		414 1852	414 0950	414 0950
2	N Tachometer			1	414 1878	414 0803	
3	N Rubber Ring	2	2	2	414 1872	414 0711	414 0711
4	N Plate	2	2	2	414 1873	414 0885	414 0885
5	N Case Holder	2	2	2	414 1874	414 0704	414 0704
6	Washer	4	4	4	399 8023	399 8023	399 8023
7	Wing Nut	4	4	4	414 0703	414 0703	414 0703
8	Speedo Lamp Socket (343 only in 74)	1			410 6019	410 6019	410 6019
8	Speedo Lamp Socket (F.A. in 74 only)	2	2	1	410 6019	410 6019	410 6019
9	Tacho Lamp Socket (343 only in 74)	1			410 6018	410 6018	410 6018
9	Tacho Lamp Socket (F.A. in 74 only)	2	2	1	410 6018	410 6018	410 6018
10	Bulb (343 only in 74)	2			410 5013	410 5013	410 5013
10	Bulb (F.A. in 74 only)	3	3	1	410 5013	410 5013	410 5013
11	N Flexible Shaft	1	1		414 1729	414 0706	414 0706
11	Flexible Shaft			1	414 0819	414 0819	
12	N Angle Drive	1	1		414 1881	414 0707	414 0707
12	Angle Drive			1	414 1660	414 1660	
13	Cable Branch Key	1	1	1	414 0708	414 0708	414 0708
14	Drive Insert	1	1		572 0101	572 0101	572 0101
14	Drive Insert			1	414 1624	414 1624	
15	Washer	1	1	1	414 1433	414 0949	414 0949
16	End Bearing Housing			1	501 0034	501 0034	
16	N End Bearing Housing	1	1		501 0087	501 0034	501 0034
17	N Meter Cable Trip (T'NT 435 only)	1	1		414 1879		
18	N Meter Trip Knob	1	1		414 2080		





414 0840



414 0841



414 1267



414 1570



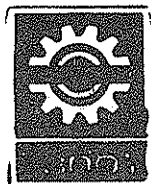
414 0935



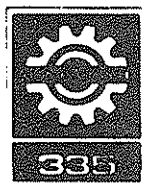
414 1774



414 0811



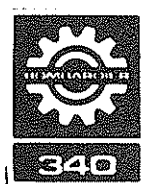
414 1271



414 0812



414 0813



414 0936



414 1268



414 0814



414 0815



414 1193



414 0889



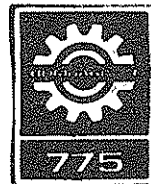
414 0890



414 1003



414 1269



414 1004

Steering Padding



414 1333

Steering Padding



414 1332



Plate 572 1709
Label 414 0853



Plate 572 1709
Label 414 1657



Plate 572 1709
Label 414 0874



Plate 572 1708
Label 414 0625

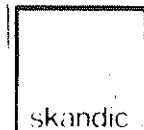


Plate 572 1706
Label 414 0875

Elite 73

414 1633

3" Circ.

6" Circ.

414 2027



Elite 74



Plate 572 1706
Label 414 0873



Plate 572 1706
Label 414 0872

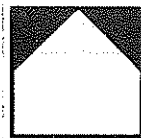
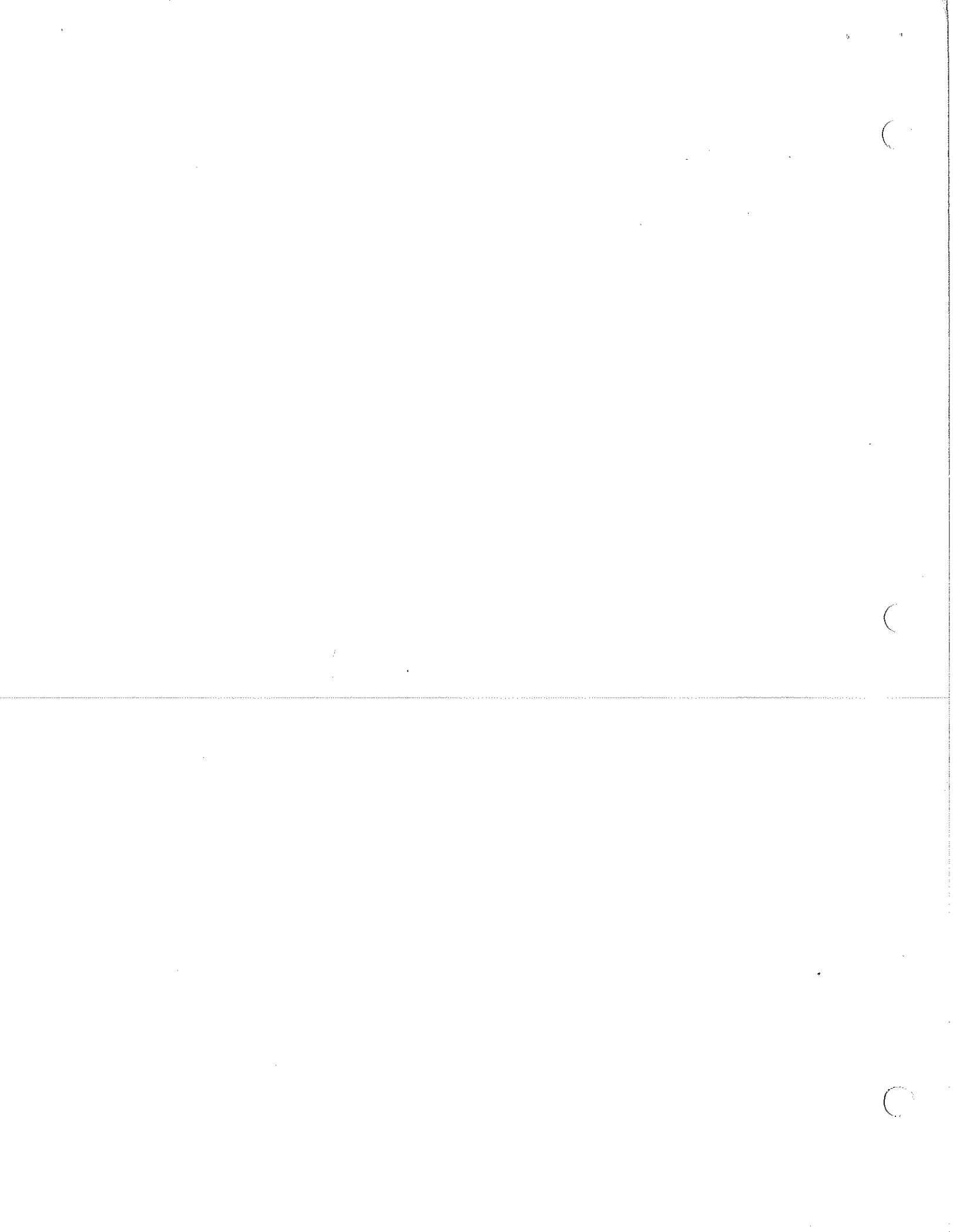


Plate 572 1706
Label 414 0870



Plate 572 1706
Label 414 0871





N	Specification Label	Elan 247	414 1857
N	Specification Label	Elan 248	414 1858
N	Specification Label	Elan 294	414 2001
N	Specification Label	Olym. 302	414 1859
N	Specification Label	Olym. 338	414 1860
N	Specification Label	Olym. 401	414 1861
N	Specification Label	Nordic 640	414 2003
N	Specification Label	Alpine 434	414 1866
N	Specification Label	Alpine 640	414 1865
N	Specification Label	TNT 340	414 2030
N	Specification Label	TNT-EVT 440	414 2052
N	Specification Label	TNT 294	414 2070
N	Specification Label	FA 346	414 1863
N	Specification Label	FA 396	414 1864
N	Specification Label	FA 436	414 1929
N	Specification Label	Eite 434	414 2069

<p>Choke Label 302 337</p> <p>414 0614</p>	<p>Choke Label Elan 247-248</p> <p>414 0577</p>	<p>Shifting Label ALP - VAL. up to 73</p> <p>414 0741</p>	<p>Elite ALP VAL. 73</p> <p>414 1464</p>	<p>Shifting Label NORDIC</p> <p>414 1465</p>	<p>Shifting Label Elite 74</p> <p>414 2064</p>
--	---	---	--	--	--

<p>Pulley Guard Label</p> <p>ATTENTION Le moteur ne doit jamais fonctionner sans que ce garde soit en place. WARNING Engine should not be running without this guard in place.</p> <p>414 1087</p>	<p>Throttle Warning Label</p> <p>IMPORTANT La manette d'accélération doit fonctionner librement avant de démarrer le moteur. WARNING Throttle should be free moving before starting engine.</p> <p>414 1327</p>	<p>Driving Instruction Label</p> <p>POUR USAGE: HORS-ROUTE SEULEMENT Conduisez prudemment. Lisez le manuel du conducteur, c'est un guide essentiel. FOR OFF-ROAD USE ONLY Drive carefully. Read the owner's manual, it contains essential information.</p> <p>414 1328</p>	<p>Towing Instruction Label</p> <p>Vérifier souvent les accouplements. Utiliser une barre rigide. Remorquer à vitesse réduite. Verify attachments frequently. Use rigid tow bar. Reduce speed when towing.</p> <p>414 1959</p>
--	---	--	--

<p>Cab Opening Beware Decal</p> <p><i>Il est dangereux de faire fonctionner le moteur lorsque le capot est soulevé. It is dangerous to have engine running with cab open.</i></p> <p>414 1330</p>	<p>Fuel Mixture Label TNT 1973</p> <p>N'utilisez que de l'essence super, mélangée à de l'huile SKI-DODG dans les proportions indiquées sur le contenant. Use only premium gasoline mixed with SKI-DODG oil in ratio specified on can.</p> <p>414 1556</p>	<p>Air Silencer Label Olym 302-337 - All Twins</p> <p>ATTENTION: Ce silencier est conçu pour fonctionner avec un moteur à 5500 RPM. L'utilisation d'un moteur à vitesse supérieure peut entraîner une surchauffe et un incendie. WARNING: This silencer is designed for use with an engine operating at 5500 RPM. Use of an engine operating at a higher speed may result in overheating and fire.</p> <p>414 1615</p>
---	---	--

<p>Ventilation Label ALPINE-VALMONT 72</p> <p>414 0504</p>	<p>Drive Pulley Label</p> <p>414 1639</p>	<p>Warning Label (Square Shaft Clutch)</p> <p>AVIS: Insérer la couronne de commande avant de démarrer le moteur. S'assurer que le bouton de la roue centrifuge est bien retenu. Remplacer la rondelle à languette sur le moteur lors de toute remise de ce bouton. WARNING: Engine not to be operated without cover. Be sure that the centrifugal wheel button is properly secured when the cover is removed. Replace the tongue washer on the engine when the governor bolt is disassembled. 8500 RPM</p> <p>414 2015</p>
--	---	--

C

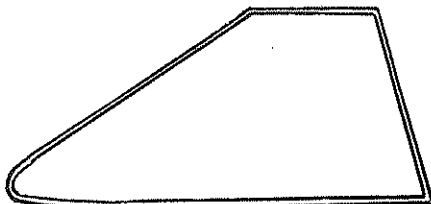
20

C

1 2 3 4 5 6 7 8 9 10 11 12 13 14 15 16 17 18 19 20 21 22 23 24 25 26 27 28 29 30 31 32 33 34 35 36 37 38 39 40 41 42 43 44 45 46 47 48 49 50 51 52 53 54 55 56 57 58 59 60 61 62 63 64 65 66 67 68 69 70 71 72 73 74 75 76 77 78 79 80 81 82 83 84 85 86 87 88 89 90 91 92 93 94 95 96 97 98 99 100

C

Side Decal Nordic 72



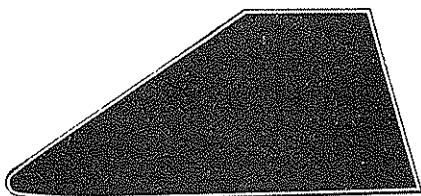
414 1057

Side Decal TNT F.C.



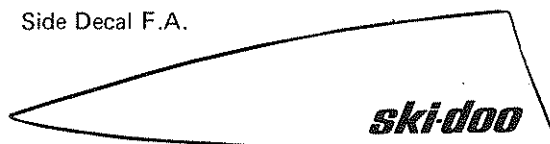
414 2071

Side Decal (Nordic) 74



414 1833

Side Decal F.A.



414 1701

Side Decal Set
Olym 440



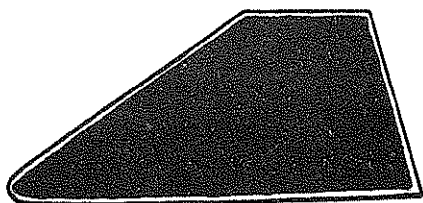
414 1551

Instrument Decal
338-400-480



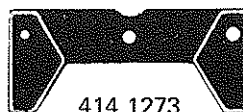
414 1350

Side Decal Nordic 73



414 1461

Decal Console
Olym. 302-337
73-74



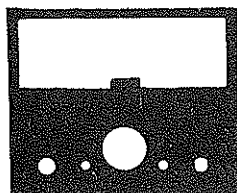
414 1273

Decal
Console 72
Olym.



414 0982

Dash Panel Elite



414 1996

Front Stripe Set 1973
Elite



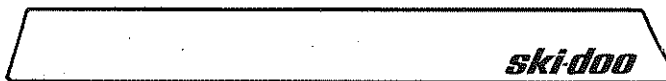
414 1645

Front Stripe Set 1974
Elite



414 2029

Rear Stripe Set 1973
Elite

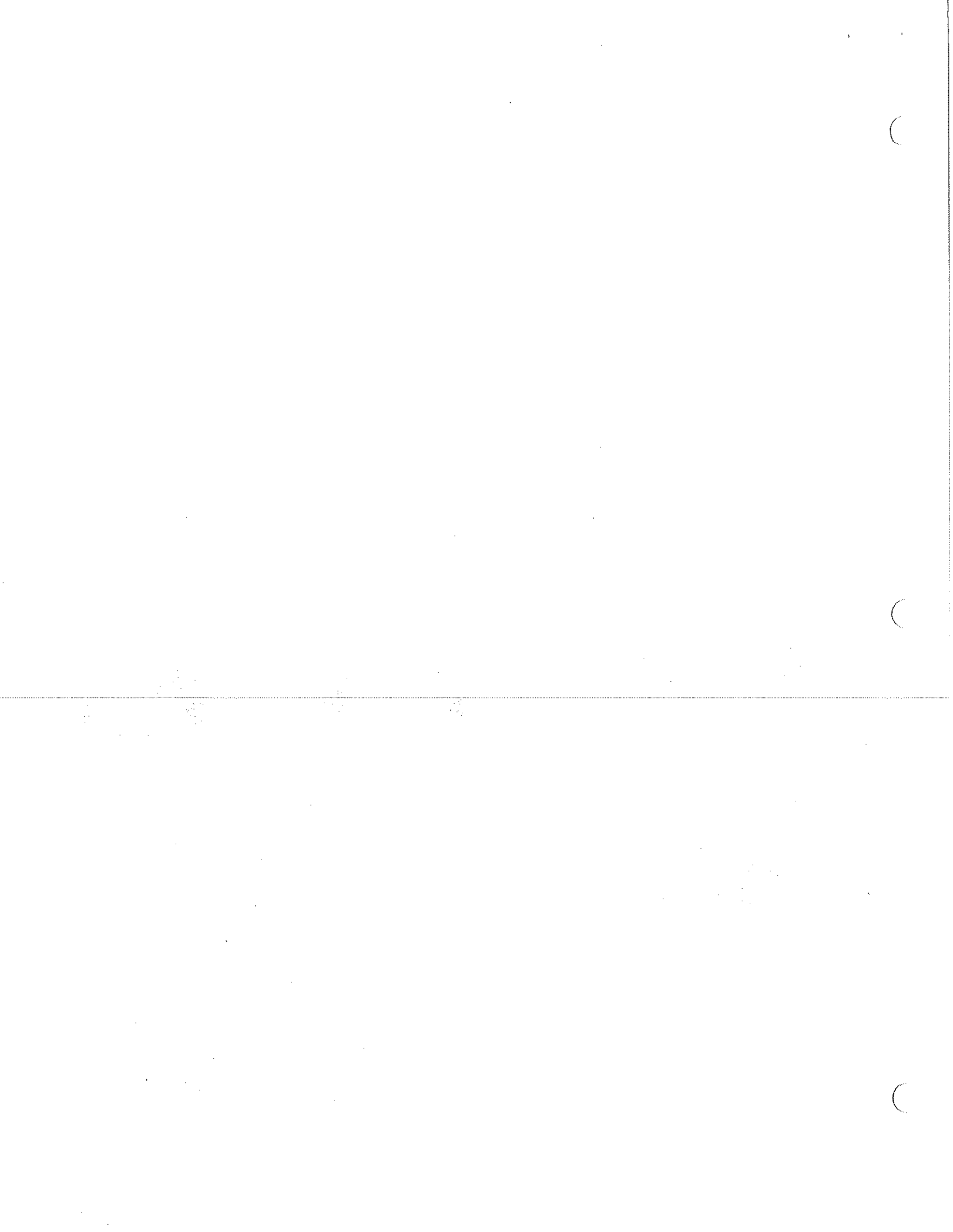


414 1951

Rear Stripe Set 1974
Elite



414 2028



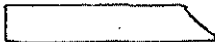
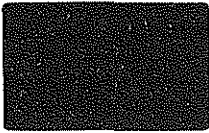






DECAL


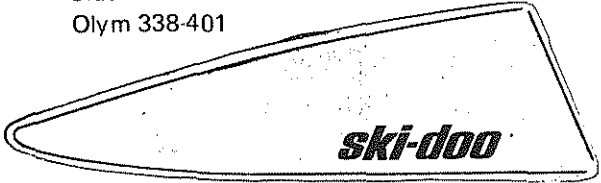
1974

N-DECAL 250 414 1784	N-DECAL 294 (Elan 74) 414 1783	DECAL 294 (TNT 73) 414 1511	N-DECAL 300 414 1757	DECAL 340 414 1512	N-DECAL 400 414 1870	N-DECAL 340SM 414 1936
-----------------------------------	--	---	-----------------------------------	---------------------------------	-----------------------------------	-------------------------------------

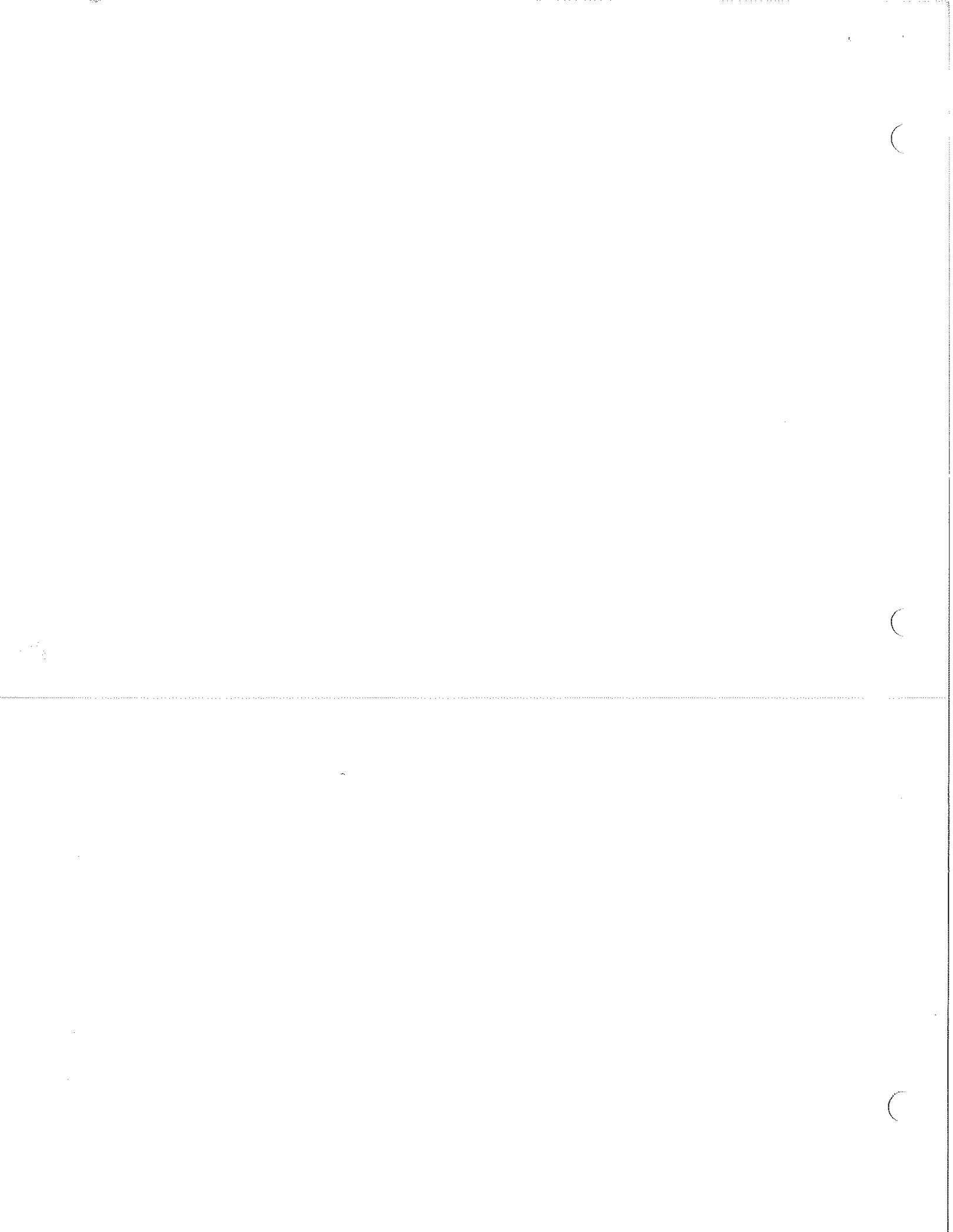
N-DECAL 340SE 414 1937	N-DECAL 440SM 414 1937	DECAL 440 414 1513	N-DECAL 440SE 414 1939	N-DECAL 440SL 414 1940	N-DECAL 300SM 414 2036	DECAL FA 340 414 1614
-------------------------------------	-------------------------------------	---------------------------------	-------------------------------------	-------------------------------------	-------------------------------------	--

Decal  414 1613	N Decal  414 1895	Reflective Stripe set  414 1951	Cabin Decal Elan 72  414 1232	Cabin Decal Elan 73-74  414 1393
--	--	--	--	---

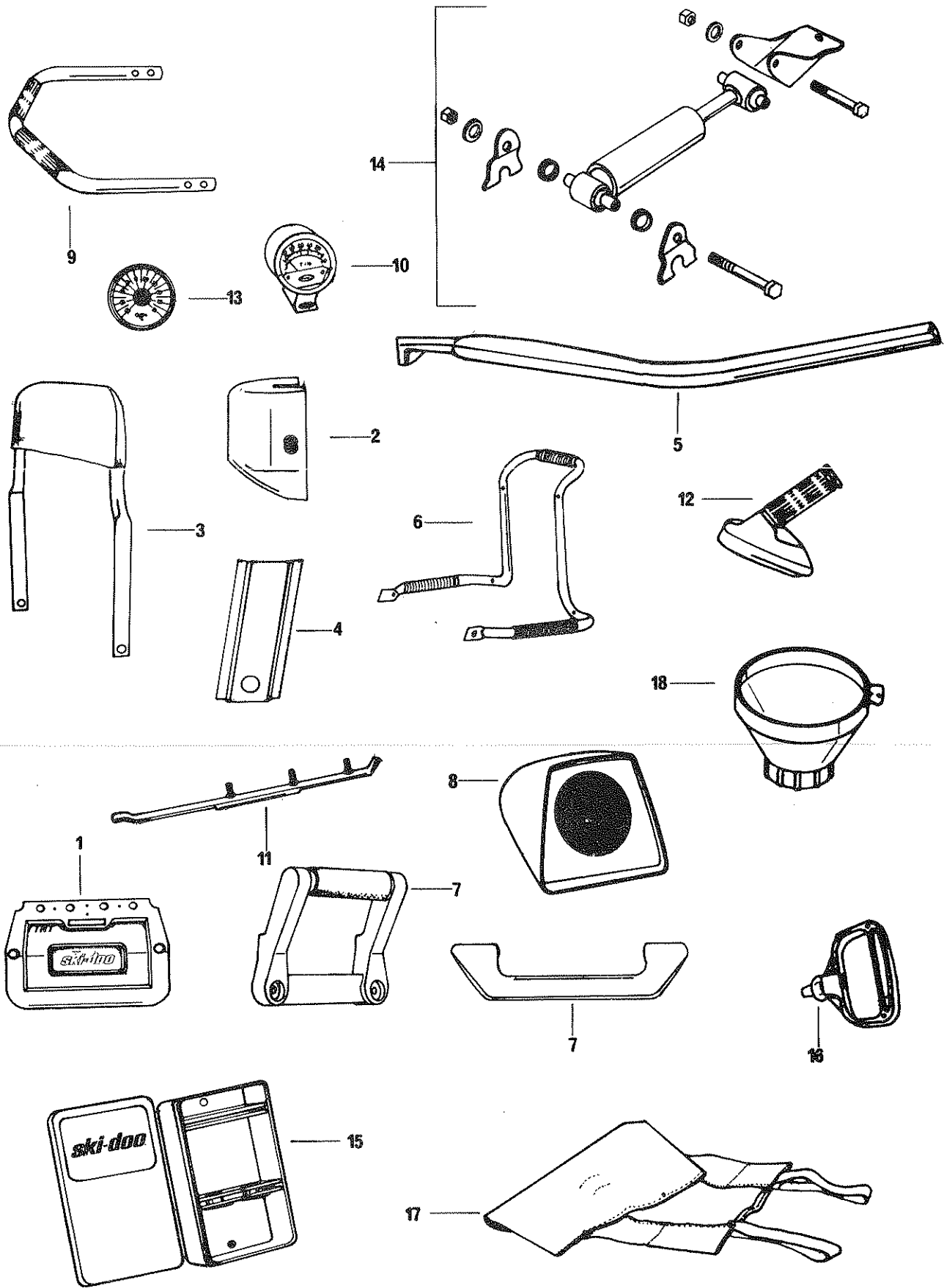
Side Decal Set  414 2031	N Side Decal Set 294SS  414 1698	Side Decal Set 249 SS  414 1548
---	---	---

Side Decal Set Olym. 302  414 1776	Side Decal Set Olym 338-401  414 1932
--	--

Label SS 292 SS  414 1298	Side Decal TNT 73  414 1523 Side Decal 338-400-440 Console  414 1351	Decal Everest  414 1920	Decal F.A.  414 1634 Decal FC.-EVT T'NT 414 1834
---	--	--	---



ACCESSORIES

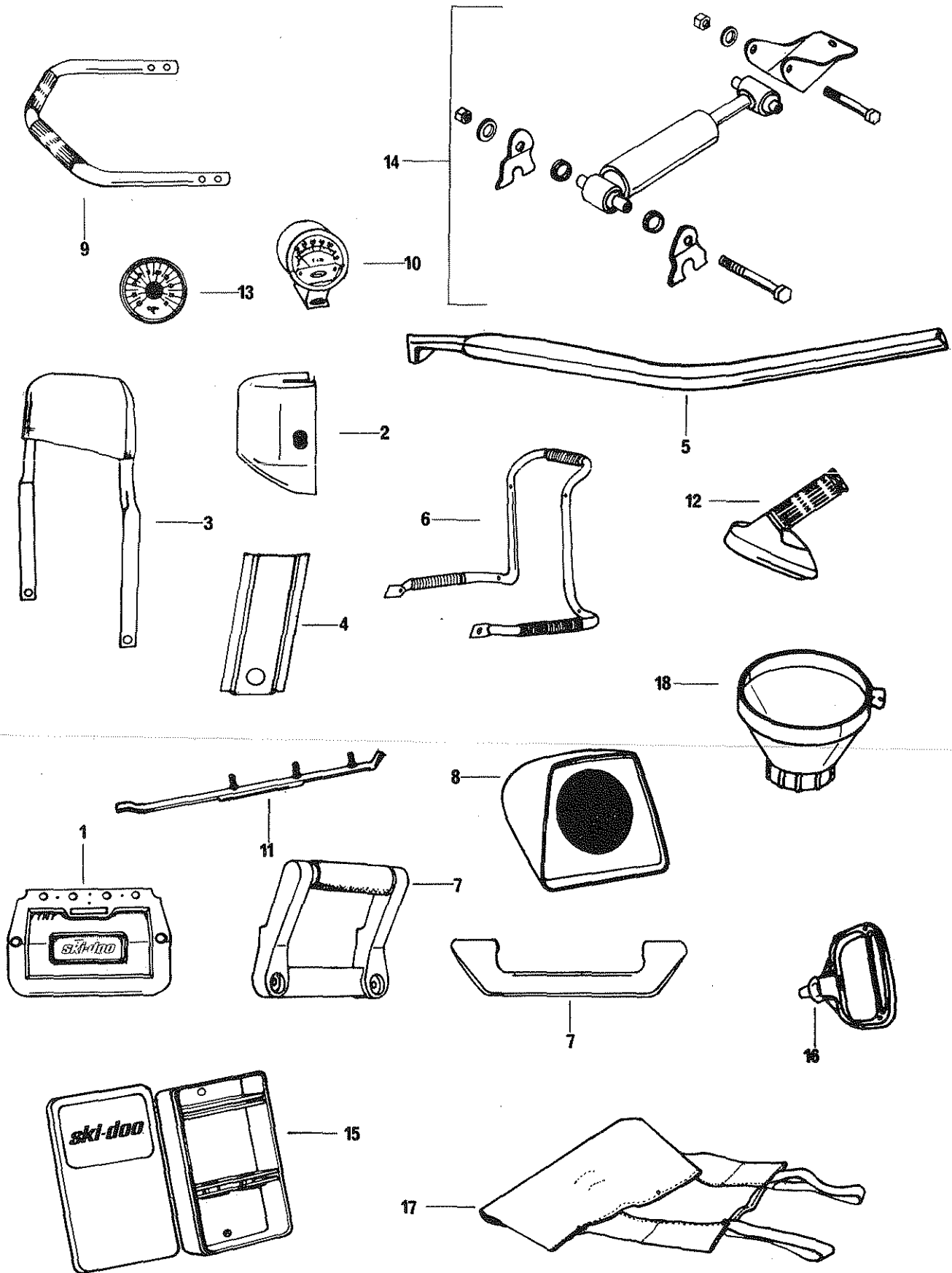


ACCESSORIES LIST AND THEIR COMPONENTS

1974

ITEM NO.	PART NO.	DESCRIPTION	YEAR MODEL
1	570 1788	Snowguard	Blizzard 70 - 18"
1	570 2701	Snowguard	All models (71 - 72) 18"
1	570 1769	Snowguard	Blizzard 70 - 15"
1	570 1770	Snowguard	Blizzard 71 - 15"
1	570 1790	Snowguard	Blizzard 71 - 16 1/2"
1	572 3702	Snowguard	All 18" (Racing pupose)
1	572 3714	Snowguard	All T'NT FC 74
1	570 0121	Snowguard	T'NT F/A 74 - 73
1	861 7040	Snowguard kit Consisting of: 1 570 2701 Snowguard 4 320 1066 Screw 4 399 9025 Washer 4 387 3013 Nut	71 - 72 - 73 - 74 All 15"
2	861 7015	Air deflector kit Consisting of: 1 414 0537 Deflector Air 1 300 0034 Screw 1 386 6119 Nut 1 399 9015 Washer 1 517 0276 Bushing	T'NT 399 (15" 18") 69 - 70
3	414 0058	Center or rear backrest	Up to 72
3	414 0981	Center or rear backrest chromed	All models 15"
3	580 0198	Center or rear backrest	All models 18"
4	518 0003	R.H. center backrest bracket	All models
	518 0004	L.H. center backrest bracket	
4	517 0412	Rear backrest bracket	All models
4	414 1440	Rear backrest bracket	Alpine Valmont
5	861 7001	Front bumper kit Consisting of: 1 517 0170 Bumper R.H. 1 517 0171 Bumper L.H. 1 570 1701 Bumper bonding 8 517 0088 Spacer 8 391 0023 Washer 8 396 9001 Nut 2 380 9022 Nut	68 to 70 all Olympique
5	580 1128	Front bumper kit	68 to 70 all Olympique
6	861 7003	Rear bumper kit Consisting of: 1 580 2014 Bumper bonding 4 570 1704 Rubber spacer 2 570 1706 Spacer 2 327 3070 Screw 2 327 3072 Screw 2 330 5101 Screw 4 386 6013 Nut 2 386 6019 Nut	68 to 70 all olympique
7	580 1204	High profile side handle	All models
7	414 0639	Side handle	All models
7	572 3708	Side handle	All models

ACCESSORIES LIST AND THEIR COMPONENTS

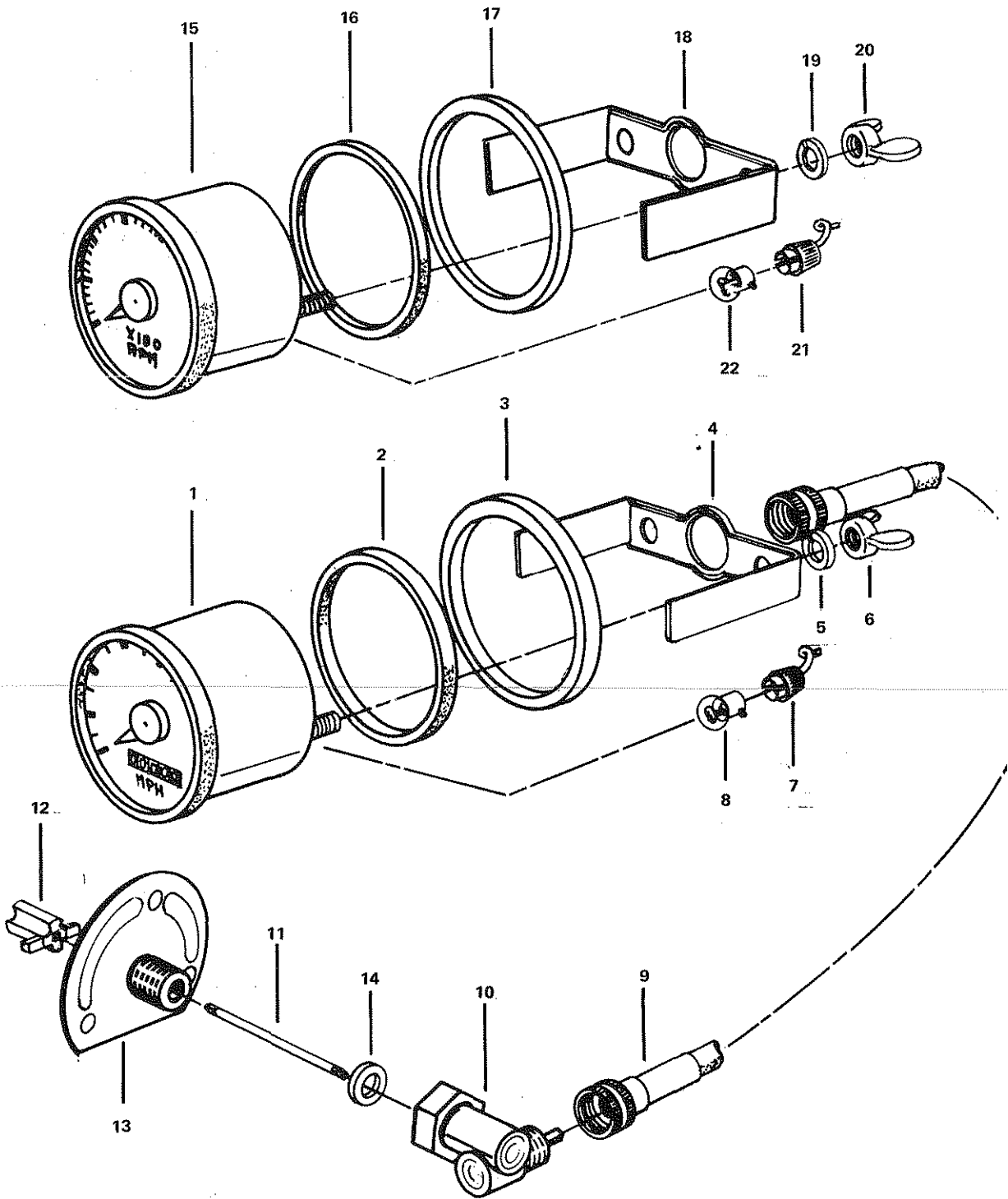


ACCESSORIES LIST AND THEIR COMPONENTS

1974

ITEM NO.	PART NO.	DESCRIPTION	YEAR MODEL
8	861 7021	Meter casing (speedo or tacho) Consisting of: 1 572 1778 Meter housing 1 517 0378 Meter support 3 386 6019 Nut	All models
9	580 0503	Front handle	71 All 18"
9	580 1252	Front handle	71 - 72 all Olympique & T'NT 15"
9	580 0512	Front handle	72 all 18"
10	414 0965	Temperature gauge (Spark plug W)	All models (W)
10	414 1188	Temperature gauge (Flush mount)	All models (W)
10	414 0966	Temperature gauge (Spark plug M)	All models (M)
10	414 1189	Temperature gauge (Flush mount)	All models (M)
11	560 5001	Runner shoe (carbide)	All models except Elan
11	560 5011	Runner Shoe (carbide)	72 - 73 - 74 Elan
11	414 1431	Runner Shoe (carbide)	72 - 73 - 74 Oly.
12	570 0507	Ski runner padding handle	All models except Elan, Alpin, Valmont
13	414 1231	Thermometer outdoor (adhesif)	All models
14	860 3009	Shock absorber kit Consisting of: 2 414 1190 Shock absorber 2 502 0112 Center bracket 4 505 0113 Front coupler bracket 4 505 0111 Spacer 2 300 9130 Screw 2 300 9131 Screw 8 399 9068 Washer 4 386 6026 Nut	Olympique T'NT
14	860 3011	Shock absorber kit (chrome) Consisting of: 2 505 0112 Center Shock Brkt 4 505 0113 Shock Brkt 2 414 1477 Shock 2 300 9131 Screw 4 386 6026 Nut 2 300 9132 Screw 8 399 9068 Washer 8 572 0503 Spacer 4 505 0157 Spacer 2 505 0178 Stopper	All models except Elan
14	860 3013	Shock absorber kit Consisting of: 2 570 0519 Shock Brkt 8 572 0503 Spacer 4 414 1476 Retainer Pin 4 371 8002 Cotter Pin 2 414 1478 Shock 2 505 0177 Shock	72-73-74 Elan
15	414 1800	Plug bulb carrier	All models
16	572 1208	Starter grip	All models
17	414 1732	Tool bag	All models
18	419 0032	Fuel funnel	All recent models

ACCESSORIES LIST AND THEIR COMPONENTS



ACCESSORIES LIST AND THEIR COMPONENTS

1974

ITEM NO.	PART NO.	DESCRIPTION	YEAR MODEL
	861 7022	Speedometer kit Consisting of:	Elan, Oly. 71 - 72 - 73 - 74 You must use the meter casing.
1		1 414 0710 Speedometer head	
2		2 414 0711 Rubber ring	
3		3 414 0885 Seal ring steel	
4		4 414 0704 Case holder	
5		2 399 8023 Lock washer	
6		2 414 0703 Wing nut	
7		1 410 6019 Speedo lamp socket	
8		1 410 5013 Bulb	
9		1 410 1100 Flexible shaft ass'y 50" long	
10		1 414 0707 Angle drive	
11		1 414 0708 Cable brake key	
12		Drive insert (see section 1)	
13		End bearing housing (see section 1)	
14		1 414 0949 Washer	
	861 7037	Speedometer kit Consisting of: (Same as 861 7022 except for flexible shaft ass'y which is 414 0706 42" long)	Nordic 1969 to 1972 Olympique 1960 to 1970
	861 7007	Speedometer kit supplement Consisting of:	69 All models
		1 517 0182 Bracket	
		1 414 0255 Moulding	
		3 320 1065 Screw	
		3 386 6013 Nut	
	414 0804	Speedometer head	71 All Blizzard
	861 7023	Tachometer kit Consisting of:	72 All models 73 - 74 Elan, Oly. You must use the meter casing.
15		1 414 0950 Tachometer head	
16		1 414 0711 Rubber ring	
17		1 414 0885 Seat ring steel	
18		1 414 0704 Case holder	
19		2 399 8023 Lockwasher	
20		2 414 0703 Wing nut	
21		1 410 6011 Tacho lamp skt.	
22		1 410 5013 Bulb	
	861 7009	Tachometer supplement kit Consisting of:	69 - 70 All models
		1 517 0181 Bracket	
		1 414 0255 Moulding	
		3 320 1065 Screw	
		3 386 6013 Nut	
15	414 0803	Tachometer head	71 All Blizzard 15" 16 1/2"

LEATHERETTE	SEAT NO.	YEAR MODEL
414 1720	414 1713	Elan
414 1416	414 1292	Elan 73
414 1353	414 0854	Elan 72
414 0589	414 0587	Elan 71
414 1418	414 1309	Olym. 74 - 73
414 1326	414 0844	Olym. 72
414 1354	414 0977	Olym. 72
414 0628	580 1120	Olym. 71
414 0414	580 1091	Olym. 70
414 0413	580 1086	Olym. 70
414 0387	580 1077	Olym. 70
414 1420	414 1361	Nordic 74 - 73
414 0392	580 0143	Nordic 70
414 0392	580 0139	Nordic 70
414 2097	414 2018	Everest 74
414 1839	414 2019	F/A 74
414 1839	414 2017	FC 74
414 1770	414 1588	F/A 73
414 1416	414 1292	T'NT 73
414 1356	414 1080	T'NT 18" 72
414 1355	414 1002	T'NT 15" 72
414 0662	414 0667	T'NT 18" 71
414 0632	414 0630	T'NT 15" 71
414 0440	580 0226	T'NT 18" 70
414 0453	580 0232	T'NT 15" 70
414 0661	—	Skandic 71
414 0519	—	Skandic 70
414 1765	414 1442	Alpine 74 - 73
414 0422	580 3041	Alpine 70
414 1768	414 1441	Valmont 73
414 0730	—	MK II 71
414 0515	—	MK I 70
414 0259	—	Carry-Boose 70