

ENGINE ROTAX FREE AIR

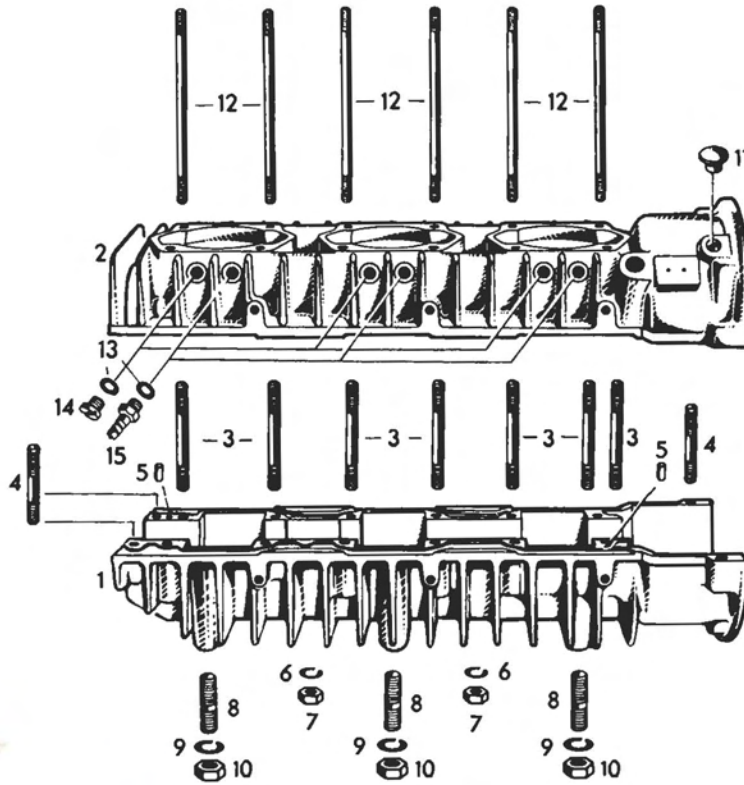
TYPE	NUMBER OF CYLINDER	MODEL
293	3	Blizzard 293
339	3	Blizzard 339
395	2	Blizzard 395
398	2	TNT 400
438	2	Blizzard 438
645	3	Blizzard 645
797	3	Blizzard 797



CRANKCASE

293 for Blizzard 293

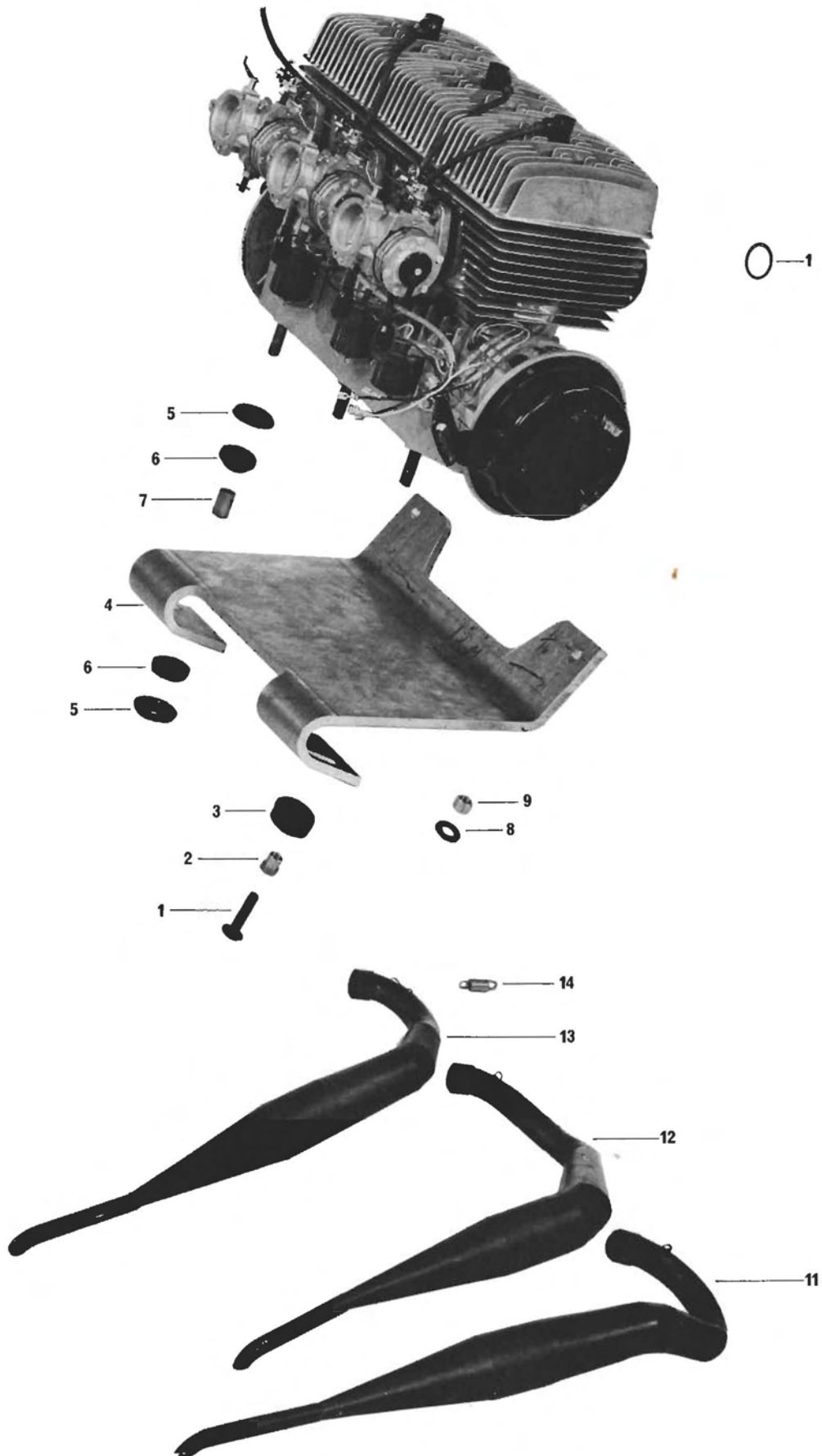
339 for Blizzard 339



ITEM NO.	PART NO.	DESCRIPTION	QUANTITY	
			293	339
1-2-3-4-5	402 0248	N Crankcase Ass'y	1	1
3	402 0007	Stud M8 x 56	12	12
4	402 0123	Stud M8 x 37	4	4
5	402 0161	Dowel Pin 56 x 10	2	2
6	402 0016	Lock Washer 8	16	16
7	402 0018	Hex. Nut M8	16	16
8	402 0250	N Stud M10 x 56	6	6
9	402 0025	Lock Washer 10	6	6
10	402 0026	Hex. Nut M10	6	6
11	402 5024	Plug	1	1
12	402 2241	Stud M8, Cylinder	12	12
13	402 0243	N Sealing Ring	6	6
14	402 0244	N Cyl. Screw M10 x 1	3	3
15	402 0245	N Joint	3	3



ENGINE (Blizzard)



O-1



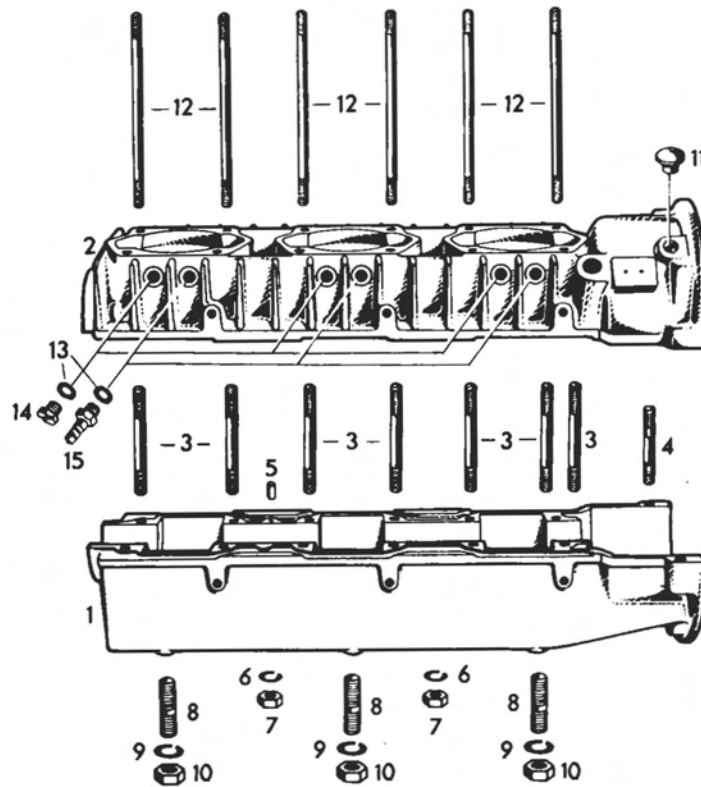
ITEM NO.	PART NO.	DESCRIPTION	QUANTITY					
			293	339	395	438	645	797
1	360 8010	Bolt	4	4	4	4	4	4
2	512 0011	Threaded Spacer Bushing	4	4	4	4	4	4
3	510 1202	Insulator Rubber	4	4	4	4	4	4
4	512 0126	N Engine Support	1	1				
4	512 0127	N Engine Support			1	1		
4	512 0128	N Engine Support					1	1
5	512 0130	N Washer	12	12				
5	512 0129	N Washer				8	12	12
6	570 1209	N Isolating Rubber	12	12				
6	570 1210	N Isolating Rubber			8	8	12	12
7	512 0131	N Sleeve	6	6				
7	512 0132	N Sleeve			4	4	6	6
8	399 9027	Washer	4	4	4	4	4	4
9	386 6024	Nut	4	4	4	4	4	4
10	570 1215	N Seal Exhaust	3	3				
10	570 1214	N Seal Exhaust			2	2	3	3
11	414 1141	N Tune Exhaust R.H.	1					
11	414 1133	N Tune Exhaust R.H.		1				
11	414 1148	N Tune Exhaust R.H.			1			
11	414 1148	N Tune Exhaust R.H.				1		
11	496 0072	N Tune Exhaust R.H.					1	
11	496 0075	N Tune Exhaust R.H.						1
12	414 1142	N Tune Exhaust Centrer	1					
12	414 1145	N Tune Exhaust Center		1				
12	496 0073	N Tune Exhaust Center					1	
12	496 0076	N Tune Exhaust Center						1
13	414 1143	N Tune Exhaust L.H.	1					
13	414 1146	N Tune Exhaust L.H.		1				
13	414 1147	N Tune Exhaust L.H.			1			
13	414 1147	N Tune Exhaust L.H.				1		
13	496 0074	N Tune Exhaust L.H.					1	
13	496 0077	N Tune Exhaust L.H.						1
14	414 1102	N Spring	9	9	6	6	9	9



CRANKCASE

1972

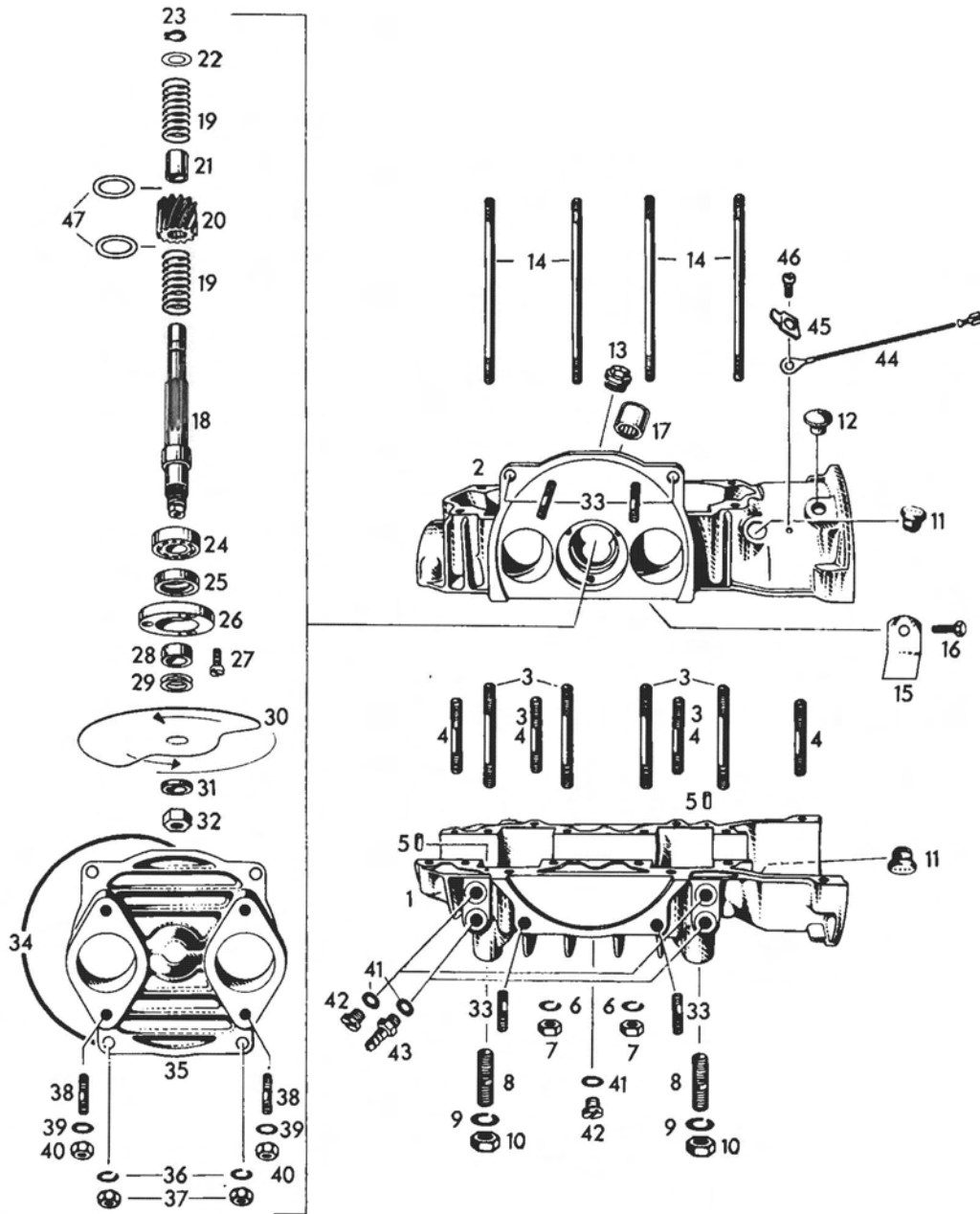
645 for Blizzard 645 797 for Blizzard 797



ITEM NO.	PART NO.	DESCRIPTION	QUANTITY	
			645	797
1-2-3-4-5	402 0247	N Crankcase Ass'y	1	1
3	402 0007	Stud M8 x 56	12	12
4	402 0123	Stud M8 x 37	2	2
5	402 0161	Dowel Pin 5/8 x 10	1	1
6	402 0016	Lock Washer 8	14	14
7	402 0018	Hex. Nut M8	14	14
8	402 0246	N Stud M12 x 50	6	6
9	402 1038	Lock Washer 12	6	6
10	402 0117	Hex. Nut M12	6	6
11	402 5024	Plug	1	1
12	402 0234	Stud M8, Cylinder	12	12
13	402 0243	N Sealing Ring	6	6
14	402 0244	N Cyl. Screw M 10 x 1	3	3
15	402 0245	N Joint	3	3



395 for Blizzard 395 438 for Blizzard 438



ITEM NO.	PART NO.	DESCRIPTION	QUANTITY	
			395	438
1-2-3-4-5	402 0249	N Crankcase Ass'y	1	1
3	402 0007	Stud M8 x 56	10	10
4	402 0123	Stud M8 x 32	6	6
5	402 0161	Dowe Pin 5/16 x 10	2	2
6	402 0016	Lock Washer 8	16	16
7	402 0018	Hex Nut M8	16	16
8	402 0246	N Stud M12 x 50	4	4
9	402 1038	Lock Washer 12	4	4

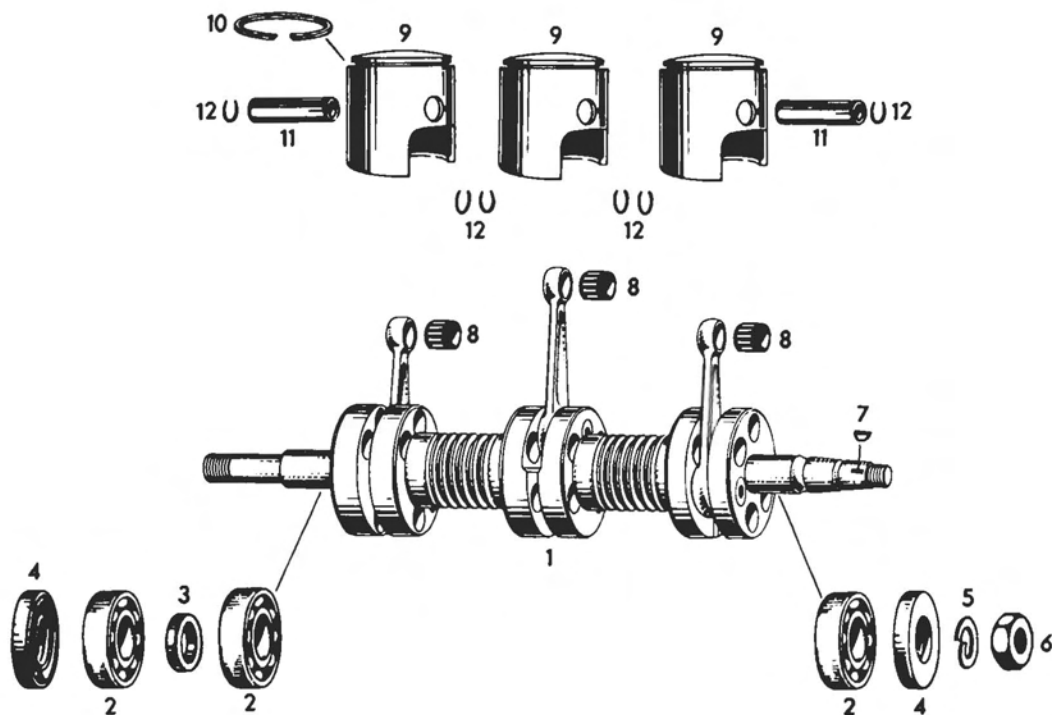


ITEM NO.	PART NO.	DESCRIPTION	QUANTITY	
			395	438
10	402 0117	Hex. Nut M12	4	4
11	402 0211	Cable Grommet	2	2
12	402 5024	Plug	1	1
13	417 1084	Plug M18 X 1.5	1	1
14	402 2241	Stud M8	8	8
15	402 0277	N Oil Deflector	1	1
16	402 0265	N Hex. Screw M6 X 10	1	1
17	402 0255	N Needle Bushing	1	1
18	402 0264	N Shaft, Rotary Valve	1	1
19	402 0253	N Spring	2	2
20	402 0263	N Sprocket 14 T	1	1
21	402 0273	N Spring Sleeve	1	1
22	402 0258	N Shim 1 MM	1	1
23	402 0272	N Locking Ring	1	1
24	402 0254	N Ball Bearing 6003	1	1
25	402 0262	N Oil Seal	1	1
26	402 0259	N Bearing Cover	1	1
27	402 0039	Cyl. Screw M5 x 12	3	3
28	402 0274	N Distance Sleeve 8.5	1	1
29	402 0266	N Shim 0.1 MM	AR	AR
29	402 0267	N Shim 0.15 MM	AR	AR
29	402 0268	N Shim 0.3 MM	AR	AR
29	402 0269	N Shim 0.5 MM	AR	AR
29	402 0270	N Shim 0.8 MM	AR	AR
29	402 0271	N Shim 1.0 MM	AR	AR
30	402 0257	N Rotary Valve	1	1
31	402 0275	N Distance Ring 4 MM	1	1
32	402 0252	N Hex. Nut M14 X 1	1	1
33	402 2003	Stud M8 X 18	4	4
34	402 0260	N O-Ring	1	1
35	402 0256	N Cover, Rotary Valve	1	1
36	402 0016	Lock Washer 8	4	4
37	402 2041	Hex. Nut M8	4	4
38	402 2037	Stud M8 X 19.5	4	4
39	402 0031	Washer 8.4	4	4
40	402 2106	Hex. Nut M8	4	4
41	402 0243	N Sealing Ring	5	5
42	402 0244	N Cyl. Screw M10 X 1	3	3
43	402 0245	N Joint	2	2
44	402 4398	N Mass Cable Ass'y Yellow	1	1
45	402 4349	N Connector	1	1
46	402 2521	N Cyl. Screw M5 X 6	1	1
47	402 0276	N Shim 1MM	2	2



645 for Blizzard 645

797 for Blizzard 797

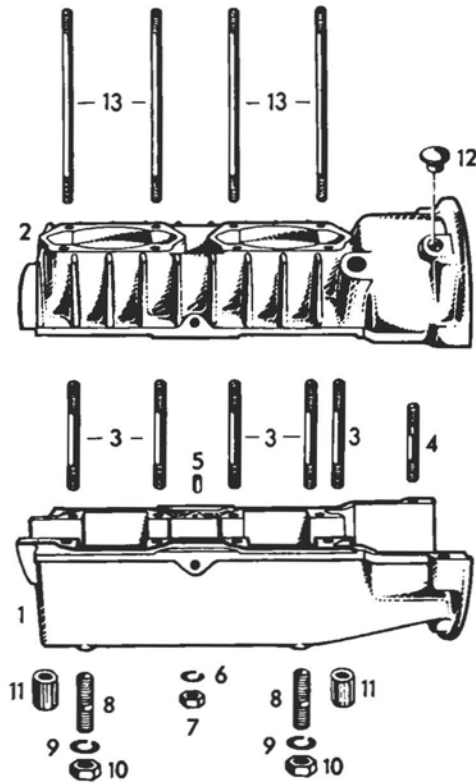


ITEM NO.	PART NO.	DESCRIPTION	QUANTITY	
			645	797
1	402 1348	N Crankshaft Ass'y	1	1
2	402 1307	Ball Bearing 6206	3	3
3	402 1308	Distance Sleeve 6.5 mm	1	1
4	402 2391	Oil Seal	2	2
5	402 1095	Lock Washer 18	1	1
6	402 1043	Hex. Nut M18 x 1.5	1	1
7	402 1304	Woodruff Key 3 x 3.7	1	1
8	402 1347	N Needle Cage	3	3
9	402 2460	N Piston Ass'y W/Ring 67.0 ϕ Std	3	
10	402 2477	N L-Trapez-Ring 67.0 ϕ Std	3	
9	402 2462	N Piston Ass'y W/Ring 74.5 ϕ Std		3
10	402 2479	N L-Trapez-Ring 74.5 ϕ Std		3
9	402 2451	N Piston Ass'y W/Ring 67.25 ϕ 1st Oversize	3	
10	402 2478	N L-Trapez-Ring 67.25 ϕ 1st Oversize	3	
9	402 2452	N Piston Ass'y W/Ring 74.75 ϕ 1st Oversize		3
10	402 2480	N L-Trapez-Ring 74.75 ϕ 1st Oversize		3
11	402 2481	N Gudgeon Pin	3	
11	402 1279	Gudgeon Pin		3
12	402 1067	Circlip Gudgeon Pin	6	6



CRANKCASE

398 for T'NT 400

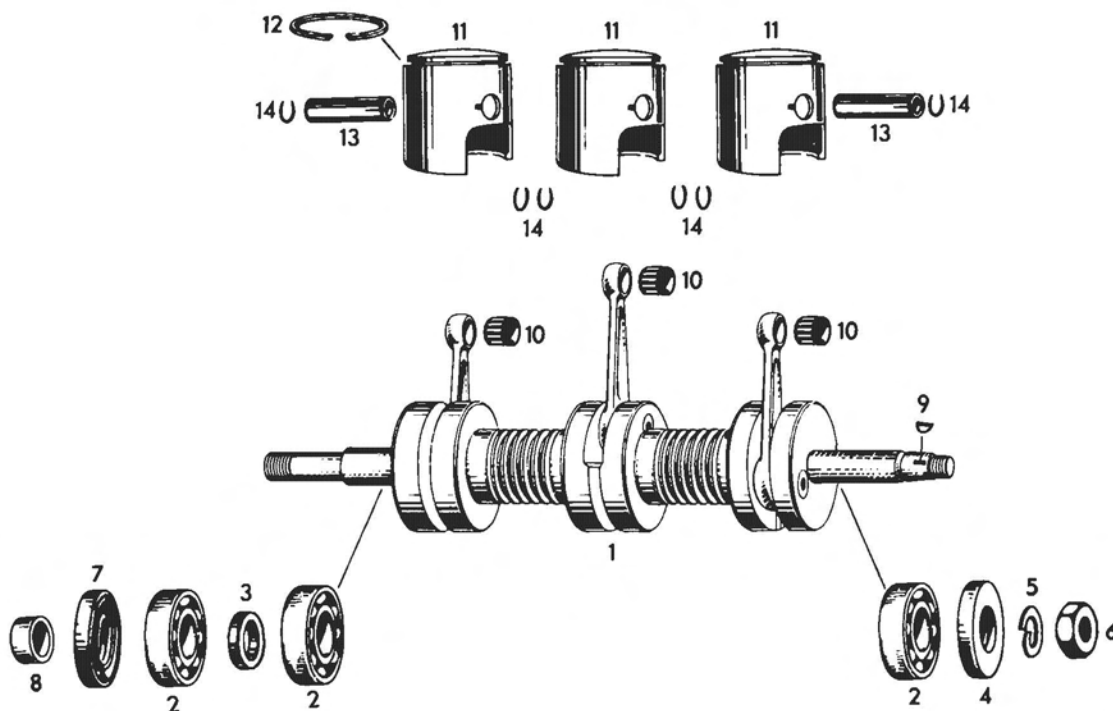


ITEM NO.	PART NO.	DESCRIPTION	QUANTITY
-2-3-4-5	402 0251	N Crankcase assy.	1
3	402 0007	Stud M8 x 56	8
4	402 0123	Stud M8 x 37	2
5	402 0161	Dowel Pin	1
6	402 0016	Lock Washer 8	10
7	402 0018	Hex. Nut M8	10
8	402 0178	Stud M12 x 26	4
9	402 1038	Lock Washer 12	4
10	402 0117	Hex. Nut M12	4
11	402 0177	Distance Sleeve 6mm	4
12	402 5024	Plug	1
13	402 7115	N Stud M8, Cylinder	8



CRANKSHAFT, PISTONS, BEARING

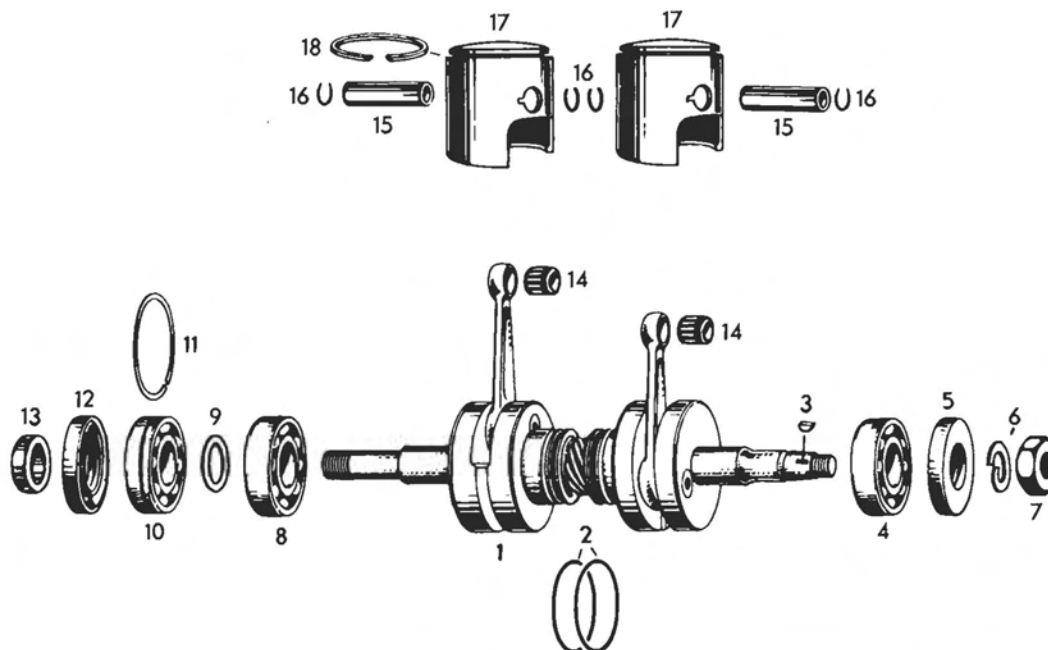
293 for Blizzard 293 339 for Blizzard 339



ITEM NO.	PART NO.	DESCRIPTION	QUANTITY	
			293	339
1	402 1355	N Crankshaft, Ass'y	1	1
2	402 1353	N Ball Bearing 6205	3	3
3	402 1290	Distance Ring 3 mm	1	1
4	417 1007	Oil Seal, Crankshaft, Magneto Side	1	1
5	402 1095	Lock Washer 18	1	1
6	402 1043	Hex. Nut M18 x 1.5	1	1
7	402 2511	N Oil Seal, Crankshaft, P.T.O. Side	1	1
8	402 1294	Distance Sleeve 16 mm	1	1
9	402 1304	Woodruff Key 3 x 3.7	1	1
10	402 1352	N Needle Cage	3	3
11	402 2453	N Piston Ass'y W/Ring 50.0 ϕ Std	3	
12	402 2514	N L-Trapez-Ring 50.0 ϕ Std	3	
11	402 2455	N Piston Ass'y W/Ring 53.5 ϕ Std		3
12	402 2516	N L-Trapez-Ring 53.5 ϕ Std		3
11	402 2447	N Piston Ass'y W/Ring 50.25 ϕ 1st Oversize	3	
12	402 2515	N L-Trapez-Ring 50.25 ϕ 1st Oversize	3	
11	402 2448	N Piston Ass'y W/Ring 53.75 ϕ 1st Oversize		3
12	402 2517	N L-Trapez-Ring 53.75 ϕ 1st Oversize		3
13	402 1350	N Gudgeon Pin	3	
13	402 1351	N Gudgeon Pin		3
14	402 1354	N Circlip, Gudgeon Pin	6	6



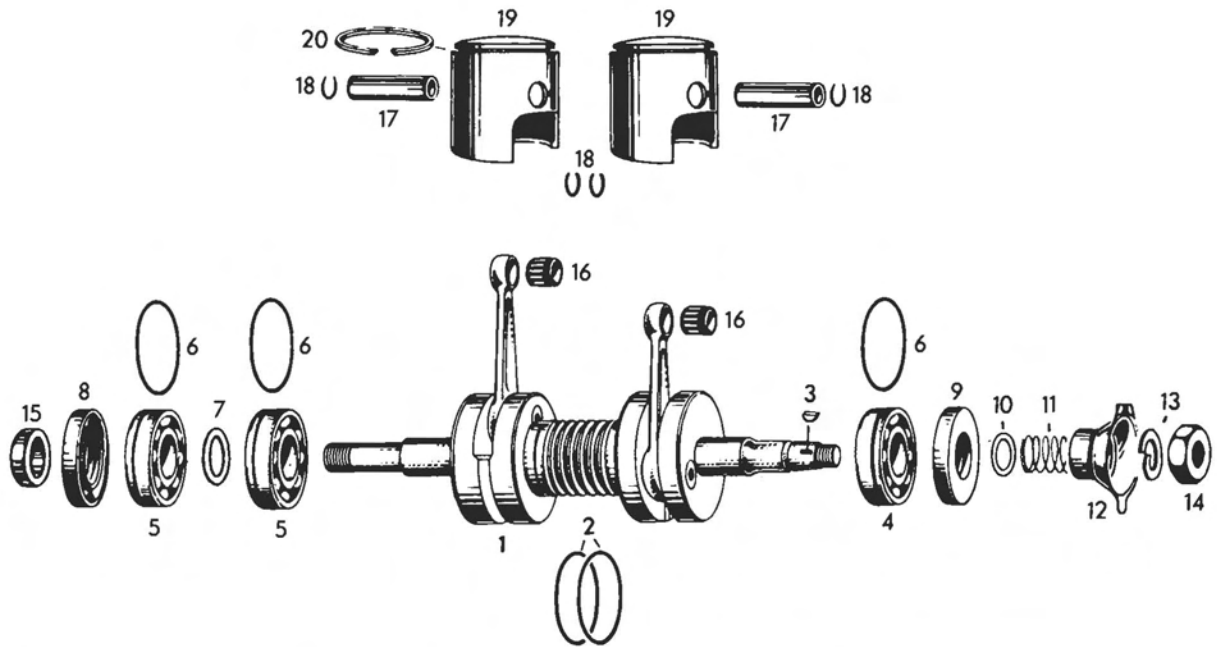
395 for Blizzard 395 438 for Blizzard 438



ITEM NO.	PART NO.	DESCRIPTION	QUANTITY	
			395	438
1-2	402 1356	N Crankshaft Ass'y	1	1
2	402 1137	"O" - Ring	2	2
3	402 1304	Woodruff Key 3 x 3.7	1	1
4	402 1307	Ball Bearing 6206	1	1
5	402 2391	Oil Seal	1	1
6	402 1095	Lock Washer 18	1	1
7	402 1043	Hex. Nut M18 X 1.5	1	1
8	402 1005	Ball Bearing 6305	1	1
9	402 1026	Shim 1 MM	1	1
10-11	402 1292	Ball Bearing 6305 W/Groove Ring	1	1
11	402 1293	Groove Ring	1	1
12	402 1138	Oil Seal	1	1
13	402 2339	Distance Sleeve 18 MM	1	1
14	402 1033	Needle Cage	2	2
15	402 1349	N Gudgeon Pin	2	
15	402 2481	N Gudgeon Pin		2
16	402 1067	Circlip, Gudgeon Pin	4	4
17	402 2458	N Piston Ass'y W/Ring 64.5b Std	2	
18	402 2512	N L-Trapez Ring 64.5b Std.	2	
17	402 2459	N Piston Ass'y W/Ring 67.5b Std		2
18	402 2523	N L-Trapez Ring 67.5b Std		2
17	402 2449	N Piston Ass'y W/Ring 64.75b 1st Oversize	2	
18	402 2513	N L-Trapez Ring 64.75b 1st Oversize	2	
17	402 2450	N Piston Ass'y W/Ring 67.75b 1st Oversize		2
18	402 2518	N L-Trapez Ring 67.75b 1st Oversize		2



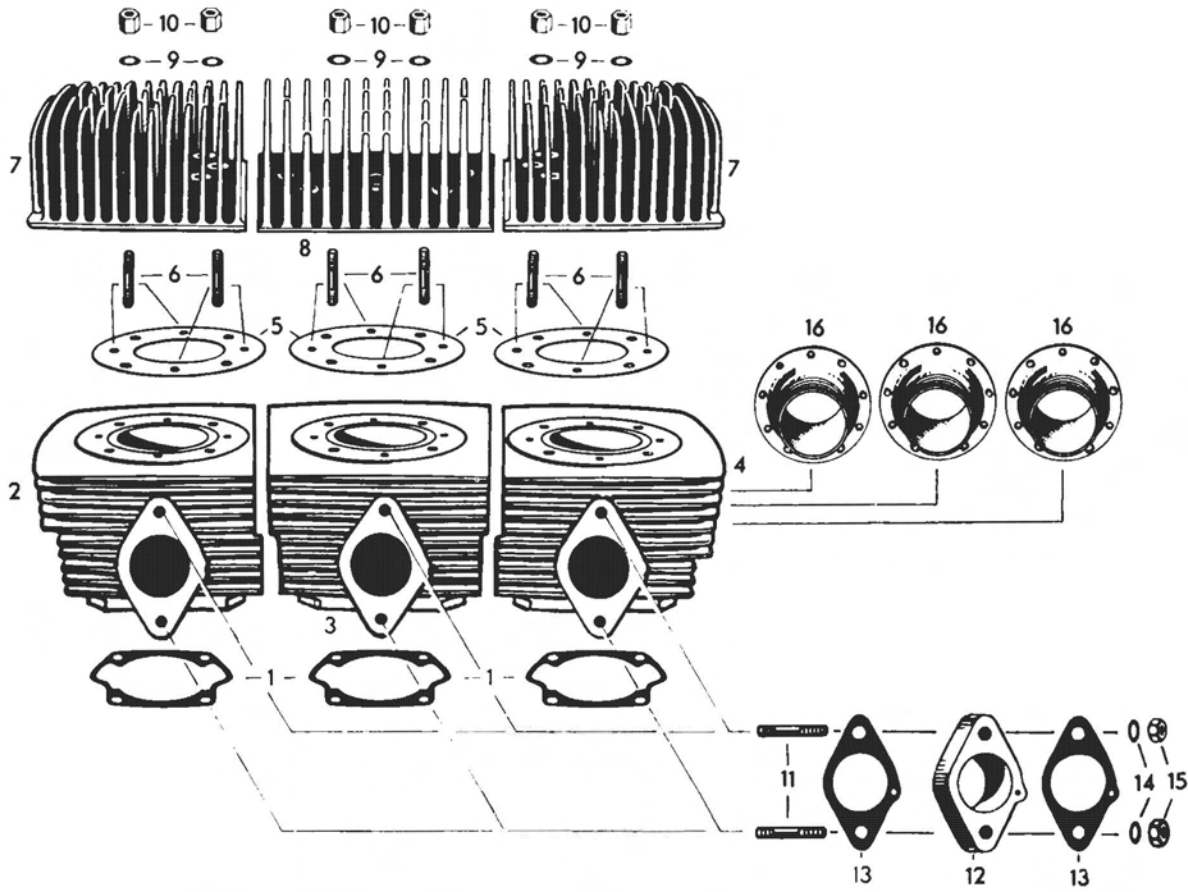
398 for T'NT 400



ITEM NO.	PART NO.	DESCRIPTION	QUANTITY
1-2	402 1359	N Crankshaft Assy	1
2	402 1137	O-Ring	2
3	402 1304	Woodruff Key 3 x 3,7	1
4	402 1357	N Ball Bearing 6206	1
5	402 1142	Ball Bearing 6305	2
6	402 1137	O-Ring	3
7	402 1026	Shim 1,0 mm	1
8	402 1138	Oil Seal	1
9	402 2391	Oil Seal	1
10	402 1026	Washer, Cam spring	1
11	402 1036	Spring, Breaker Cam	1
12	402 1156	Breaker Cam	1
13	402 1095	Lock Washer 18	1
14	402 1043	Hex. Nut M18 x 1,5	1
15	402 2339	Distance Sleeve 18mm	1
16	402 1033	Needle Cage	2
17	402 1280	Gudgeon Pin	2
18	402 1067	Circlip, Gudgeon Pin	4
19	402 2458	N Piston Assy. W. Ring 64,56 Std.	2
20	402 2512	N L-Trapez - Ring 64,56 Std	2
19	402 2449	N Piston Assy. W. Ring 64,756, 1st Oversize	2
20	402 2513	N L-Trapez - Ring 64,756, 1st Oversize	2



293 for Blizzard 293 339 for Blizzard 339
 645 for Blizzard 645 797 for Blizzard 797



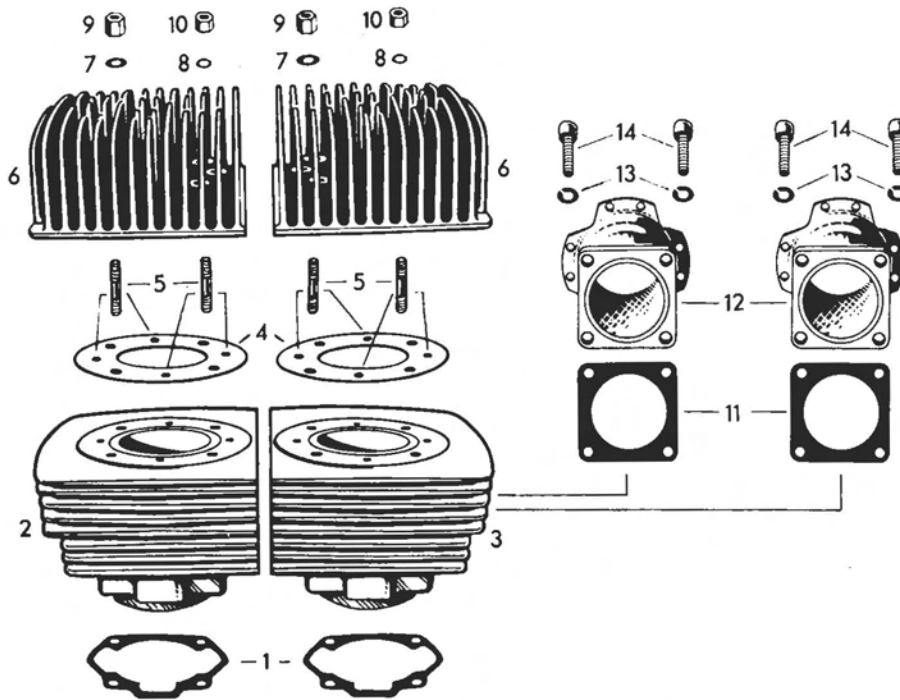
ITEM NO.	PART NO.	DESCRIPTION	QUANTITY			
			293	339	645	797
1	402 2454	N Gasket, Cylinder Flange	3	3		
1	402 2461	N Gasket, Cylinder Flange			3	3
2	402 2495	N Cylinder W/ Sleeve P.T.O. Side	1			
2	402 2500	N Cylinder W/ Sleeve P.T.O. Side		1		
2	402 2464	N Cylinder W/ Sleeve P.T.O. Side			1	
2	402 2471	N Cylinder W/ Sleeve P.T.O. Side				1
3	402 2504	N Cylinder W/ Sleeve Center	1			
3	402 2499	N Cylinder W/ Sleeve Center		1		
3	402 2465	N Cylinder W/Sleeve Center			1	
3	402 2472	N Cylinder W/ Sleeve Center				1
4	402 2503	N Cylinder W/ Sleeve Magn. Side	1			
4	402 2498	N Cylinder W/ Sleeve Magn. Side		1		
4	402 2466	N Cylinder W/ Sleeve Magn. Side			1	
4	402 2473	N Cylinder W/ Sleeve Magn. Side				1
5	402 2492	N Compression Shim 0.2 mm	AR			
5	402 2493	N Compression Shim 0.2 mm		AR		
5	402 2475	N Compression Shim 0.2 mm			AR	



ITEM NO.	PART NO.	DESCRIPTION	QUANTITY			
			293	339	645	797
5	402 2476	N Compression Shim 0.2 mm				AR
6	402 2463	N Stud M8 x 47			12	12
7	402 2502	N Cylinder Head, P.T.O. & Magneto Side	2			
7	402 2497	N Cylinder Head, P.T.O. & Magneto Side		2		
7	402 2467	N Cylinder Head, P.T.O. & Magneto Side			2	
7	402 2468	N Cylinder Head, P.T.O. & Magneto Side				2
8	402 2501	N Cylinder Head, Center	1			
8	402 2496	N Cylinder Head, Center		1		
8	402 2469	N Cylinder Head, Center			1	
8	402 2470	N Cylinder Head, Center				1
9	402 0031	Washer 8.4 Cylinder Head	12	12	24	24
10	402 2242	Hex. Nut M8	12	12	24	24
11	402 0123	Stud M8 x 37	6	6		
11	402 2022	Stud M8 x 30			6	6
12	402 2170	Isolating Flange	3	3		
12	402 2474	N Isolating Flange			3	3
13	404 0039	Tillotson Carburetor Flange Gasket	6	6		
13	404 0308	N Tillotson Carburetor Flange Gasket			6	6
14	402 2072	Isolating Washer	6	6	6	6
15	402 0018	Hex. Nut M8	6	6	6	6
16	402 2494	N Exhaust Socket	3	3		
16	402 2338	Exhaust Socket			3	3



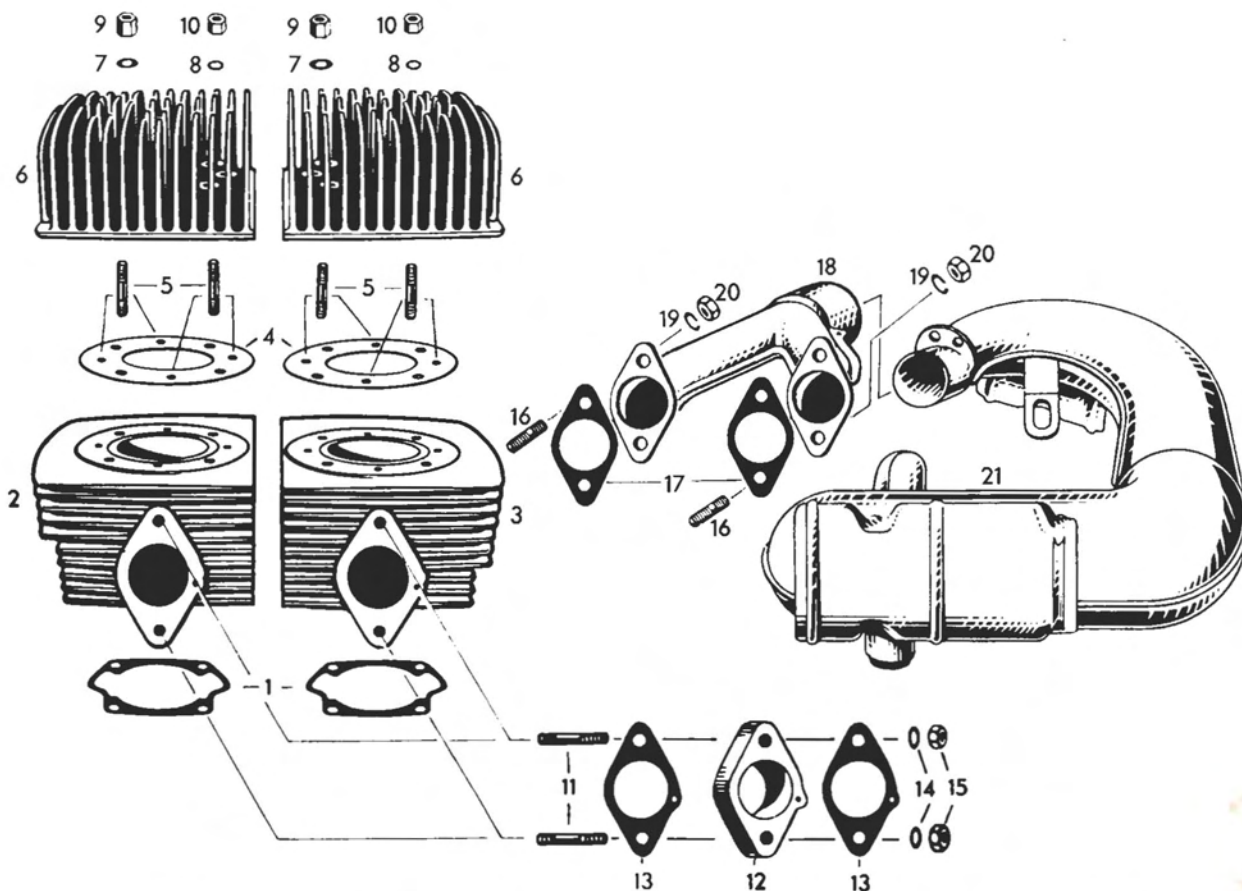
395 for Blizzard 395 438 for Blizzard 438



ITEM NO.	PART NO.	DESCRIPTION	QUANTITY	
			395	438
1	402 2457	N Gasket, Cylinder Flange	2	2
2	402 2488	N Cylinder W/Sleeve, P.T.O. Side	1	
2	402 2487	N Cylinder W/Sleeve, P.T.O. Side		1
3	402 2490	N Cylinder W/Sleeve, Magneto Side	1	
3	402 2489	N Cylinder W/Sleeve, Magneto Side		1
4	402 2522	N Compression Shim 0.2 MM	AR	
4	402 2475	N Compression Shim 0.2 MM		AR
5	402 2519	N Stud M6 x 40	8	
5	402 0009	Stud M8 x 46		8
6	402 2491	N Cylinder Head	2	
6	402 2467	N Cylinder Head		2
7	402 0031	Washer 8.4	8	16
8	402 4129	Washer 6.4	8	
9	402 2242	Hex. Nut M8	8	16
10	402 2337	Hex. Nut M6	8	
11	402 0261	N Gasket Exhaust Socket	2	2
12	402 2456	N Exhaust Socket Ass'y	2	2
13	402 0015	Lock Washer 6	8	8
14	402 4027	Cyl. Screw W/Int Hex. M6 X 22	8	8



398 for T'NT 400



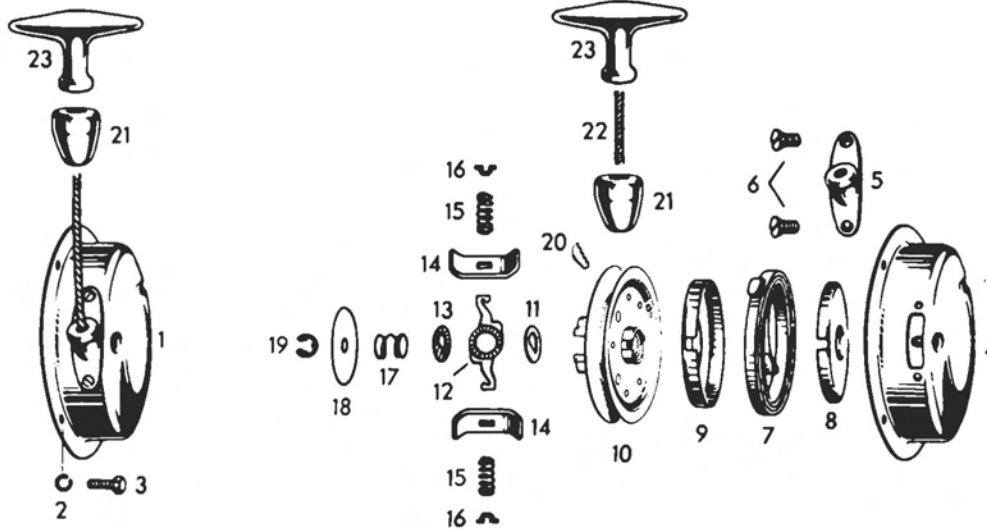
ITEM NO.	PART NO.	DESCRIPTION	QUANTITY
1	402 2508	N Gasket, Cylinder	2
2	402 2505	N Cylinder W. Sleeve, P.T.O. Side	1
3	402 2506	N Cylinder W. Sleeve, Magneto Side	1
4	402 2509	N Gasket, Cylinder head	2
5	402 7116	N Stud M6 x 37	8
6	402 2491	N Cylinder Head	2
7	402 0031	Washer 8,4	8
8	402 4129	Washer 6,4	8
9	402 2242	Hex. Nut M8	8
10	402 2337	Hex. Nut M6	8
11	402 2159	Stud M8 x 41	4
12	402 2171	Isolating Flange	2
13	404 0039	Tillotson carburetor flange gasket	4
14	402 2072	Isolating Washer	4
15	402 0018	Hex. Nut M8	4
16	402 2038	Stud M8 x 19	4
17	402 2510	N Gasket, exhaust manifold	2
18	402 2446	N Exhaust Manifold	1
19	402 0016	Lock Washer 8	4
20	402 0018	Hex. Nut M8	4
21	402 2440	N Tuned Muffler assy	1



REWIND STARTER

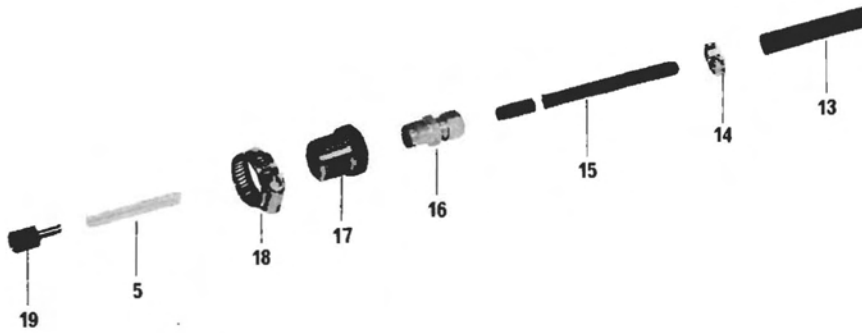
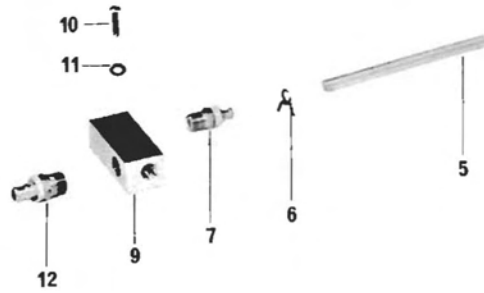
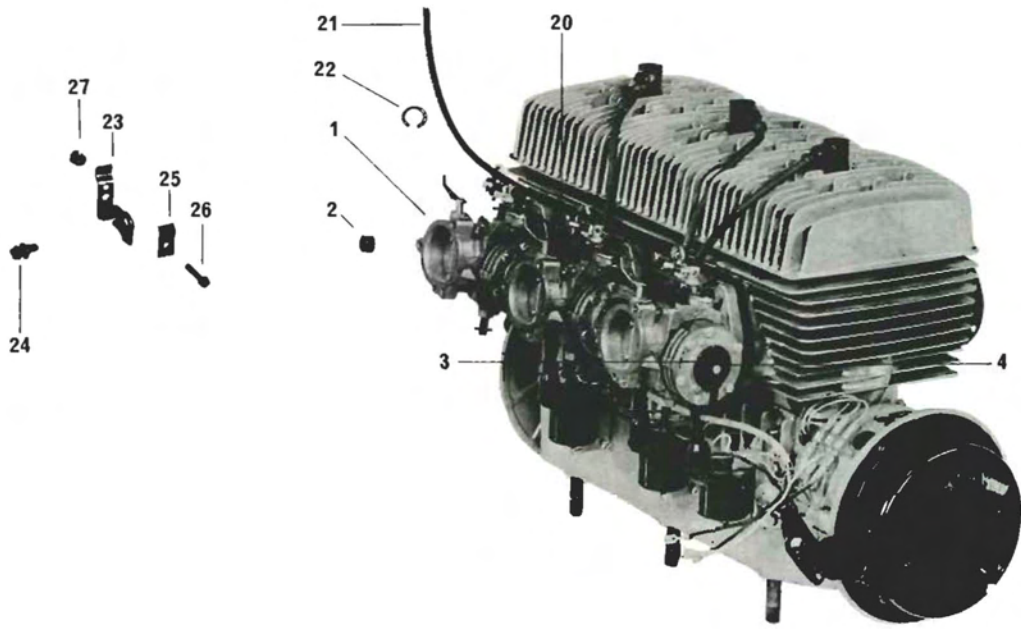
293 for Blizzard 293
645 for Blizzard 645

339 for Blizzard 339
797 for Blizzard 797



ITEM NO.	PART NO.	DESCRIPTION	QUANTITY All Models
1	402 5073	N Rewind Starter Ass'y	1
2	402 0015	Lock Washer 6	4
3	402 5012	Hex. Screw M6 x 15	4
4	402 5072	N Starter Housing	1
5	402 5036	Starter Stop	1
6	402 5037	Countersunk Screw M5 x 8	2
7-8-9	402 5023	Spring Cartridge Ass'y	1
7	402 5022	Rewind Spring	1
8	402 5038	Spring Guide	1
9	402 5044	Cover, Spring Guide	1
10	402 5058	N Rope Sheave	1
11	402 5026	D-Washer	1
12	402 5028	Pivot Arm	1
13	402 5027	Friction Washer	1
14	402 5029	Pawl	2
15	402 5030	Pawl Spring	2
16	402 5031	Pawl Spring Stop	2
17	402 5032	Friction Spring	2
18	402 5033	Cover Washer	1
19	402 5034	Circlip	1
20	402 5057	N Key Clamp, Starter Rope	1
21	402 5039	Rubber Buffer	1
22	402 5071	N Starter Rope 1930 mm	1
23	402 5019	Starter Grip	1

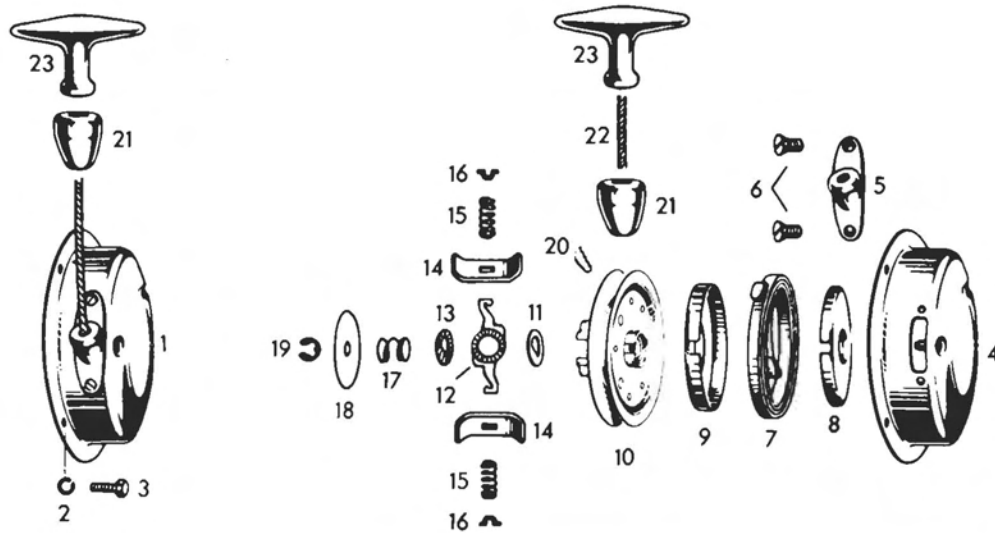




ITEM NO.	PART NO.	DESCRIPTION	QUANTITY					
			293	339	395	438	645	797
1	403 0039	N Carburator HD 128A	3	3				
1	403 0035	N Carburator HD 99 A			2			
1	403 0036	N Carburator HD 100 A				2	3	3
2	404 0157	Isolating Sleeve	6	6	4	4	6	6
3	404 0051	Fuel Strainer Cover	3	3	2	2	3	3
4	404 0052	Screw	3	3	2	2	3	3
5	414 1162	N Fuel Line (Mult 12")	AR	AR	AR	AR	AR	AR
6	414 1160	Clip	12	12	8	8	12	12
7	408 0004	N Outside Fitting	3	3	2	2	3	3
9	513 0138	N Fuel Header			1	1		
9	513 0126	N Fuel Header	1	1			1	1
10	300 9005	Screw	2	2	2	2	2	2
11	394 0019	Washer	2	2	2	2	2	2
12	408 0003	N Outside Fitting	1	1	1	1	1	1
13	407 6002	N Fuel Line Rubber (Mult 12")	AR	AR	AR	AR	AR	AR
14	408 8006	Gear Clamp	2	2	2	2	2	2
15	513 0128	N Tube	1	1	1	1	1	1
16	561 3006	N Filling	1	1	1	1	1	1
17	513 0127	N Coupling	1	1	1	1	1	1
18	408 8009	N Gear Clamp	1	1	1	1	1	1
19	414 1131	N Filter	1	1	1	1	1	1
20	414 1110	N Throttle Rod	1	1				
20	414 0847	Throttle Rod			1	1		
20	414 0876	Throttle Rod					1	1
21	414 0532	N Throttle Cable & Housing	1	1	1	1	1	1
22	371 9013	Circlip	2	2	2	2	2	2
23	561 2012	N Throttle Cable Bracket	1	1	1	1	1	1
24	404 0265	Screw	1	1	1	1	1	1
25	404 0215	Throttle Cable Clamp	1	1	1	1	1	1
26	404 0216	Screw	1	1	1	1	1	1
27	404 0217	Nut	1	1	1	1	1	1



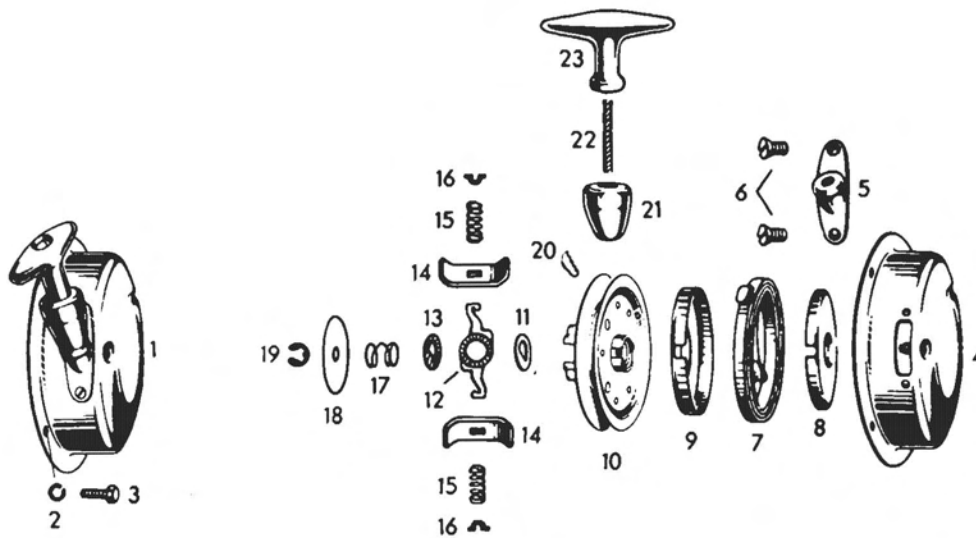
395 for Blizzard 395 438 for Blizzard 438



ITEM NO.	PART NO.	DESCRIPTION	QUANTITY	
			395	438
1	402 5074	N Rewind Starter Ass'y	1	1
2	402 0015	Lock Washer 6	4	4
3	402 5012	Hex. Screw M6 X 15	4	4
4	402 5072	N Starter Housing	1	1
5	402 5036	Starter Stop	1	1
6	402 5037	Countersunk Screw M5 X 8	2	2
7-8-9	402 5023	Spring Cartridge Ass'y	1	1
7	402 5022	Rewind Spring	1	1
8	402 5038	Spring Guide	1	1
9	402 5044	Cover, Spring Guide	1	1
10	402 5058	N Rope Sheave	1	1
11	402 5026	D-Washer	1	1
12	402 5028	Pivot Arm	1	1
13	402 5027	Friction Washer	1	1
14	402 5029	Pawl	2	2
15	402 5030	Pawl Spring	2	2
16	402 5031	Pawl Spring Stop	2	2
17	402 5032	Friction Spring	2	2
18	402 5033	Cover Washer	1	1
19	402 5034	Circlip	1	1
20	402 5057	N Key Clamp, Starter Rope	1	1
21	402 5039	Rubber Buffer	1	1
22	402 5075	N Starter Rope 2110 MM	1	1
23	402 5019	Starter Grip	1	1



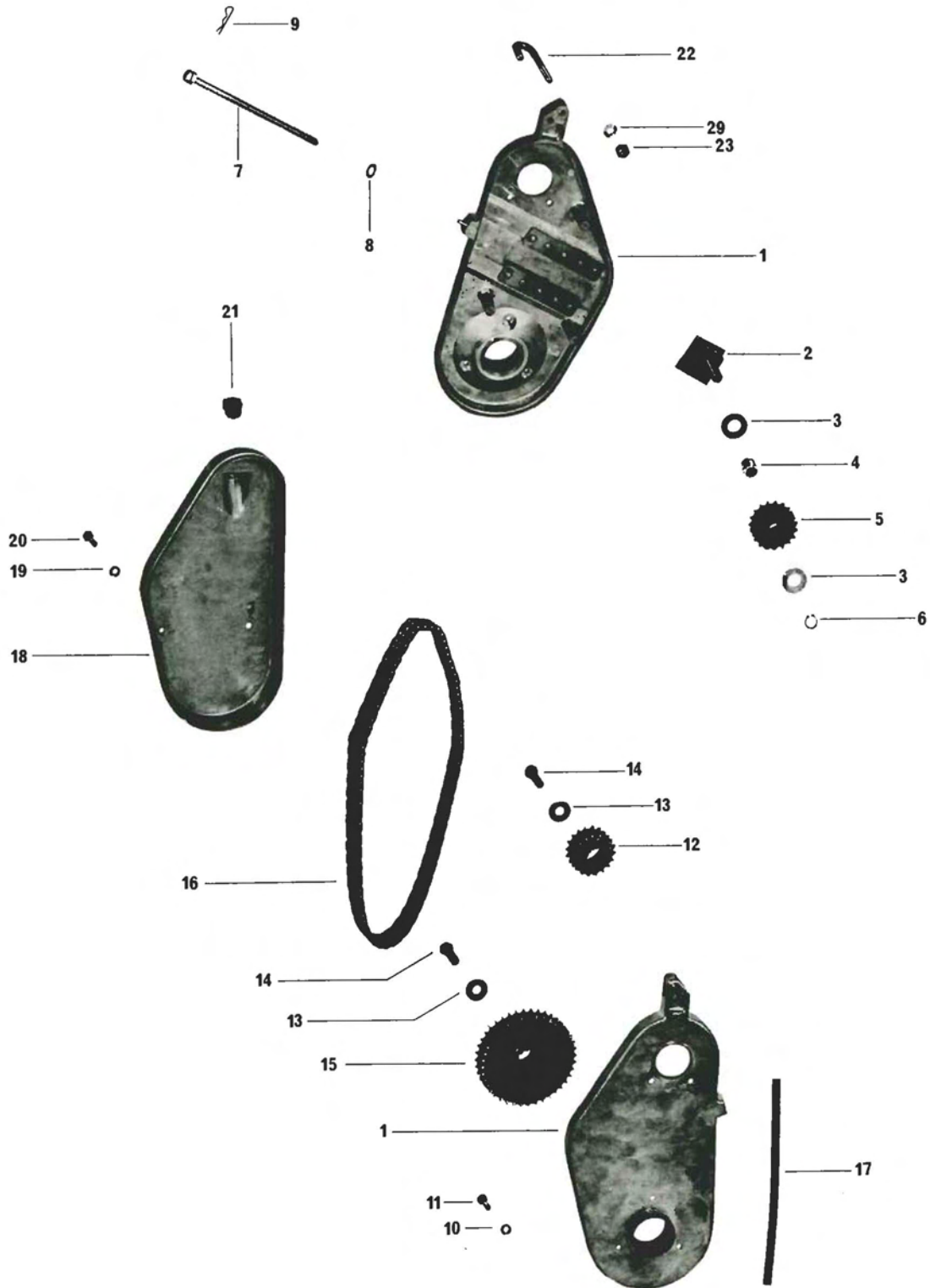
398 for T'NT 400



ITEM NO.	PART NO.	DESCRIPTION	QUANTITY
1	402 5077	N Rewind Starter Assy	1
2	402 0015	Lock Washer 6	4
3	402 5012	Hex. Screw M6 x 15	4
4	402 5069	N Starter Housing	1
5	402 5036	Starter Stop	1
6	402 5037	Counter Sunk Screw M5 X 8	2
7,8,9	402 5023	Spring Cartridge Assy	1
7	402 5022	Rewind Spring	1
8	402 5038	Spring Guide	1
9	402 5044	Cover, Spring Guide	1
10	402 5076	N Rope Sheave	1
11	402 5026	D-Washer	1
12	402 5028	Pivot Arm	1
13	402 5027	Friction Washer	1
14	402 5029	Pawl	2
15	402 5030	Pawl Spring	2
16	402 5031	Pawl Spring Stop	2
17	402 5032	Friction Spring	1
18	402 5033	Cover Washer	1
19	402 5034	Circlip	1
20	402 5057	N Key Clamp	1
21	402 5039	Rubber Buffer	1
22	402 5059	N Starter Rope 1700 mm	1
23	402 5019	Starter Grip	1



CHAIN CASE (Blizzard)



ITEM NO.	PART NO.	DESCRIPTION	QUANTITY					
			293	339	395	438	645	797
1	504 0208	N Chain Case	1	1	1	1	1	1
2	504 0219	N Sliding Block	1	1	1	1	1	1
3	504 0202	N Washer	2	2	2	2	2	2
4	405 4012	N Bearing	1	1	1	1	1	1
5	504 0201	N Idler	1	1	1	1	1	1
6	371 9016	Retaining Ring	1	1	1	1	1	1
7	504 0200	N Tensioner Bolt	1	1	1	1	1	1
8	399 9048	Washer	1	1	1	1	1	1
9	414 1124	N Hair Pin Cotter	1	1	1	1	1	1
10	399 9049	Washer	5	5	5	5	5	5
11	300 9001	Screw	3	3	3	3	3	3
11	302 1001	Screw	2	2	2	2	2	2
12	504 0210	N Sprocket 13 T. Triple 3/4" Shaft, 3/8" Pitch, 8 Splines	1	1				
12	504 0211	N Sprocket 14 T. Triple 3/4" Shaft, 3/8" Pitch, 8 Splines	1	1				
12	504 0214	N Sprocket 12 T. Triple 3/4" Shaft, 3/8" Pitch, 8 Splines	1	1				
12	504 0118	Sprocket 20 T. Triple 1" Shaft 3/8" Pitch 15 Splines			1	1	1	
12	504 0119	Sprocket 21 T. Triple, 1" Shaft 3/8" Pitch, 15 Splines			1	1	1	
12	504 0140	Sprocket 19 T. Triple 1" Shaft 3/8" Pitch, 15 Splines			1	1		
12	504 0120	Sprocket 22T. Triple, 1" Shaft 3/8" Pitch, 15 Splines					1	1
12	504 0121	Sprocket 23 T. Triple 1" Shaft 3/8" Pitch, 15 Splines						1
12	504 0122	Sprocket 24 T. Triple 1" Shaft 3/8" Pitch, 15 Splines						1
13	503 0172	N Washer	1	1	2	2	2	2
13	503 0207	N Washer For Drive Sprocket	1	1				
14	309 8061	Screw	1	1	2	2	2	2
14	309 8064	Screw (For Drive Sprocket)	1	1				
15	504 0213	N Sprocket 44 T. Triple	1	1				
15	504 0142	Sprocket 40 T. Triple			1	1	1	1
16	412 1024	N Chain	1	1	1	1		
16	412 1023	N Chain					1	1
17	406 0006	N "O" Ring	1	1	1	1	1	1
18	504 0197	N Cover	1	1	1	1	1	1
19	399 9049	Washer	3	3	3	3	3	3
20	301 3001	Screw	3	3	3	3	3	3
21	372 1780	Access Plug	1	1	1	1	1	1
22	504 0207	N Rewind Starter Guide	1	1	1	1	1	1
23	386 6019	Nut	1	1	1	1	1	1
24	399 9015	Washer	1	1	1	1	1	1

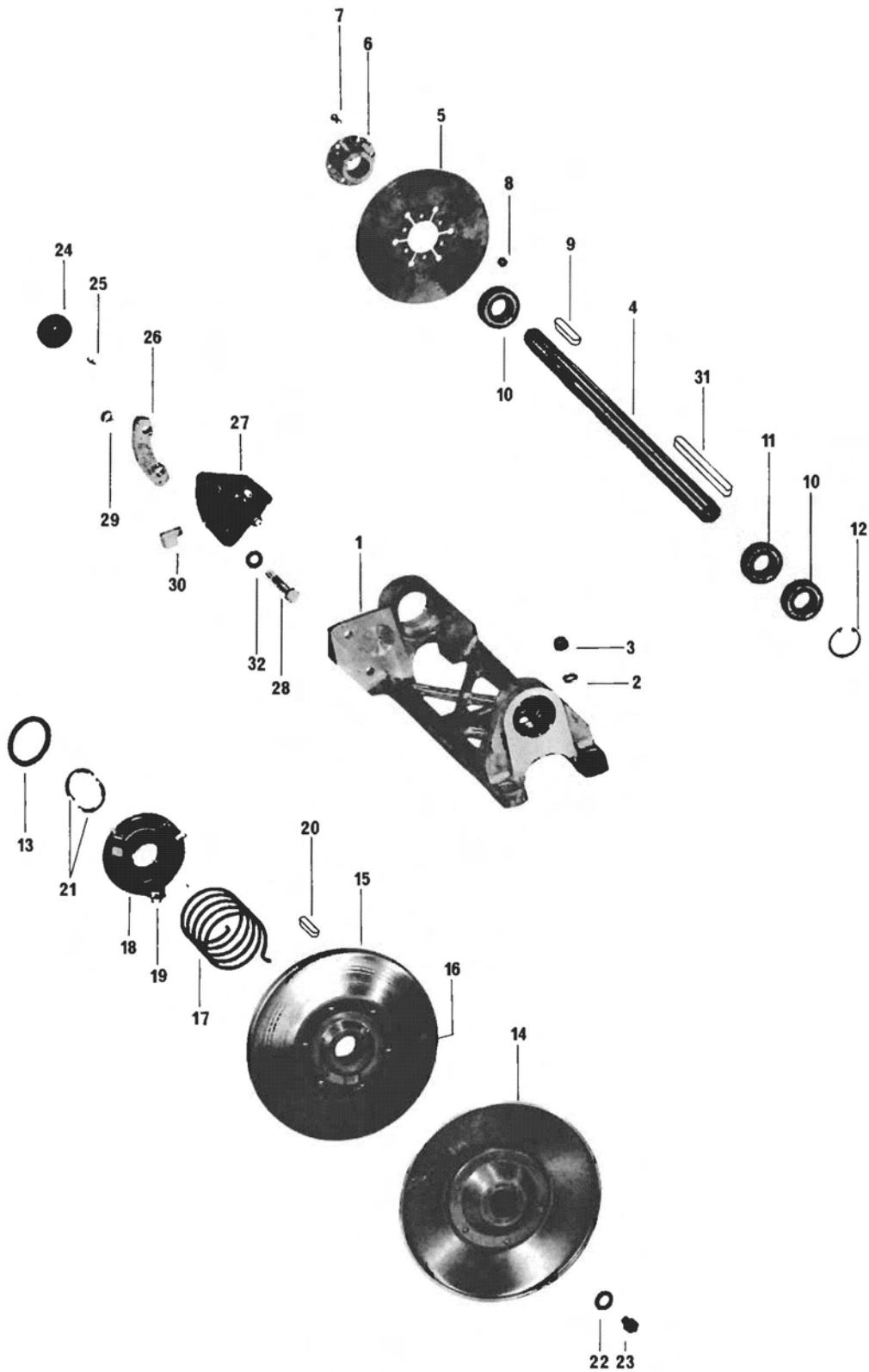


ITEM NO.	PART NO.	DESCRIPTION	QUANTITY					
			293	339	395	438	645	797
1	504 1081	N Counter Shaft Housing	1	1	1	1	1	1
2	399 9067	Washer	4	4	4	4	4	4
3	386 6024	Nut	4	4	4	4	4	4
4	504 1096	N Counter Shaft	1	1				
4	504 1092	N Counter Shaft			1	1	1	1
5	504 1083	N Disk	1	1	1	1	1	1
6	504 1085	N Disk Hub	1	1	1	1	1	1
7	309 8059	Screw	6	6	6	6	6	6
8	387 8002	Nut	6	6	6	6	6	6
9	504 1084	N Key	1	1	1	1	1	1
10	405 4015	N Bearing	1	1	1	1	1	1
11	405 4011	N Bearing	2	2	2	2	2	2
12	371 9017	N Retaining & Ring	1	1	1	1	1	1
13	504 1082	N Shim	AR	AR	AR	AR	AR	AR
14	504 1099	N Fixed Pulley	1	1	1	1		
14	504 1086	N Fixed Pulley					1	1
15	504 1098	N Sliding Pulley	1	1	1	1		
15	504 1087	N Sliding Pulley					1	1
16	504 1089	N Bushing	1	1	1	1	1	1
17	414 0138	Release Spring	1	1	1	1	1	1
18	504 1088	N Outer Cam Ass'y	1	1	1	1	1	1
19	414 0126	Cam Slider Shoe	3	3	3	3	3	3
20	504 1090	N Key	1	1	1	1	1	1
21	371 9015	Retaining Ring	1	1	1	1	1	1
22	503 0172	N Washer	1	1	1	1	1	1
23	309 8061	Screw	1	1	1	1	1	1
24	414 1154	N Puck	1	1	1	1	1	1
25	414 1155	N Screw	1	1	1	1	1	1
26	504 1091	N Spacer	1	1	1	1	1	1
27	414 1122	N Disk Brake Unit	1	1	1	1	1	1
28	301 7090	Screw	2	2	2	2	2	2
29	386 6024	Nut	2	2	2	2	2	2
30	414 1192	N Elbow Connector (90°)	1	1	1	1	1	1
31	504 1095	Key	1	1	1	1	1	1
32	399 9067	Washer	4	4	4	4	4	4

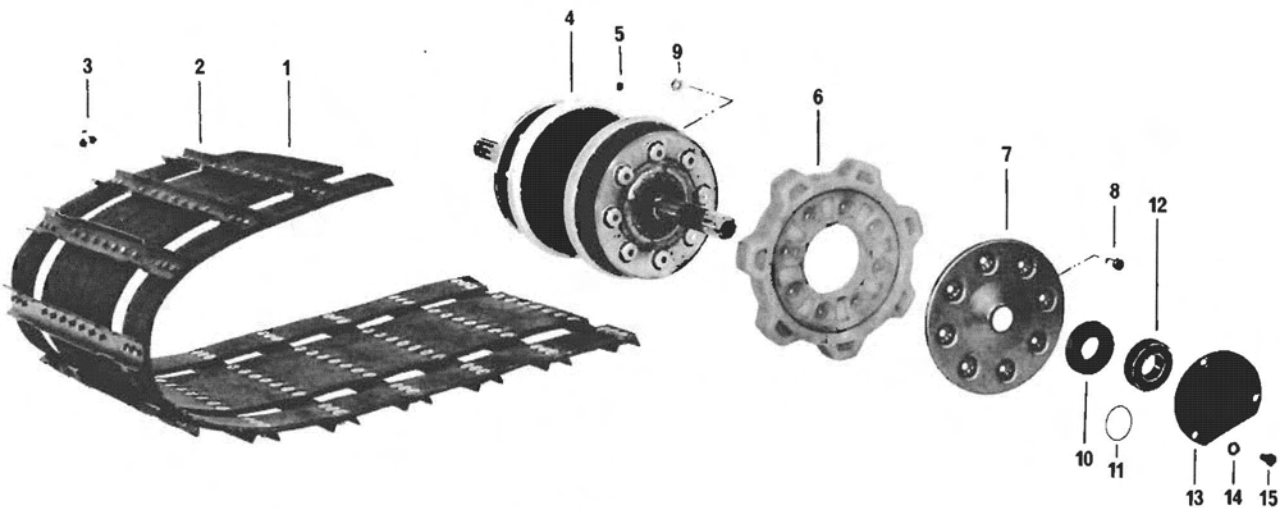
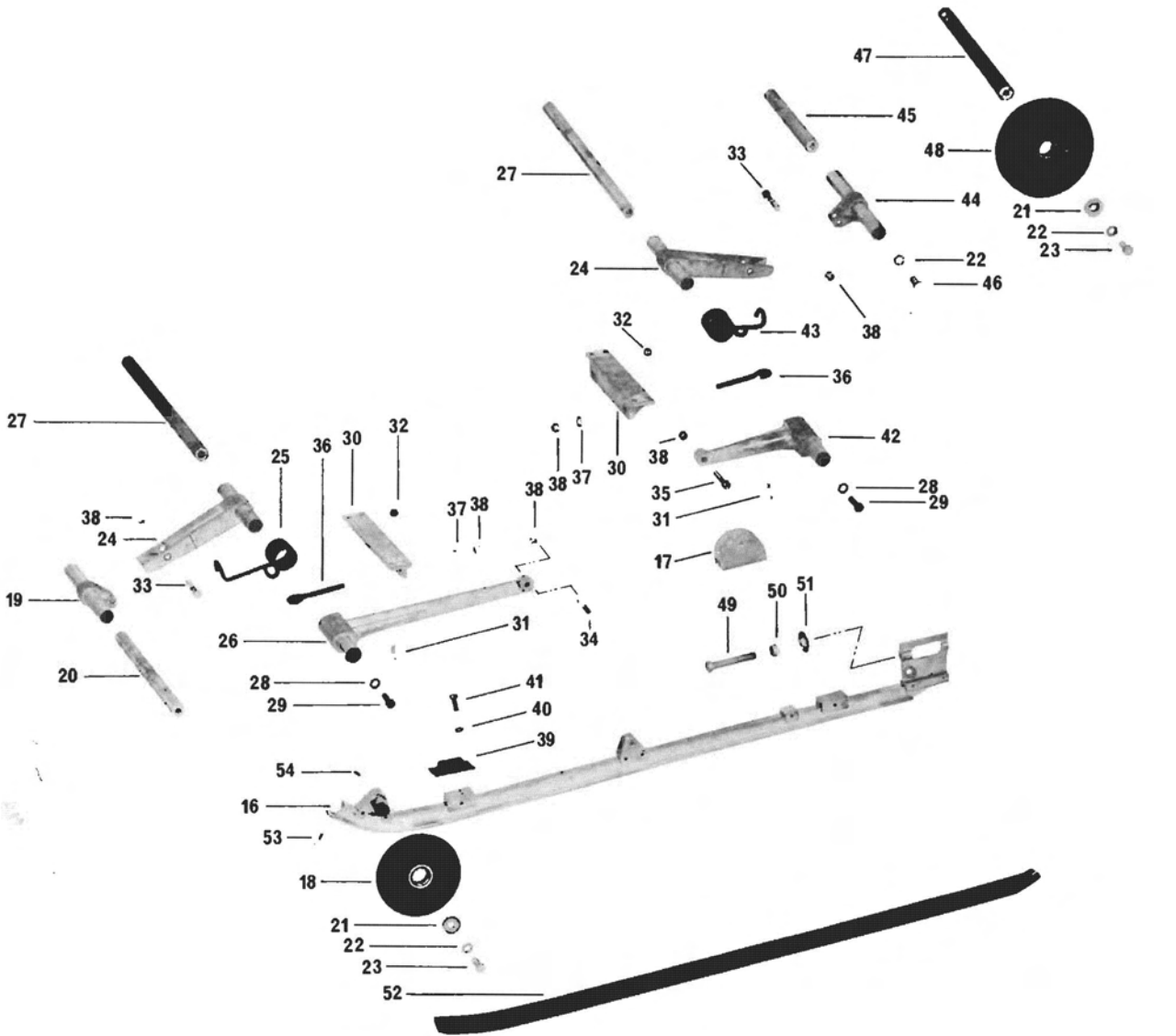


ITEM NO.	PART NO.	DESCRIPTION	QUANTITY					
			293	339	395	438	645	797
1	504 2117	N Inner Half	1	1				
1	504 2111	N Inner Half			1	1	1	1
2	405 4008	Bearing	1	1	1	1	1	1
3	504 2101	N Bushing	1	1	1	1	1	1
4	504 2088	Clutch Release Spring	1	1	1	1		
4	504 2087	Clutch Release Spring					1	1
5	582 0309	N Outer Half	1	1	1	1		
5	582 0312	N Outer Half					1	1
6	582 0310	N Centrifugal Governor Cup	1	1				
6	582 0311	N Centrifugal Governor Cup			1	1	1	1
7	504 2116	N Pressure Lever Ass'y	4					
7	504 2113	N Pressure Lever Ass'y		4				
7	504 2110	N Pressure Lever Ass'y			4	4		
7	504 2108	N Pressure Lever					4	4
8	504 2085	Dowel Pin	4	4	4	4	4	4
9	504 2118	N Nylon Bushing	8	8	8	8	8	8
10	392 0032	Washer	1	1				
10	392 0028	Washer			1	1	1	1
11	504 2120	N Washer	1	1				
11	504 2072	Washer			1	1	1	1
12	504 2119	N Screw	1	1				
12	301 6152	Screw			1	1	1	1
13	414 1127	N Drive Belt	1	1	1	1	1	1
14	580 0398	N Pulley Guard	1	1	1	1	1	1
15	301 7005	Screw	2	2	2	2	2	2
16	399 9015	Washer	4	4	4	4	4	4
17	386 6019	Nut	2	2	2	2	2	2
18	399 8027	Washer	1	1	1	1	1	1
19	300 9001	Screw	1	1	1	1	1	1
20	414 0935	N Bombardier Crest	1					
20	414 0936	N Bombardier Crest		1				
20	414 0814	N Bombardier Crest			1			
20	414 0889	N Bombardier Crest				1		
20	414 1003	N Bombardier Crest					1	
20	414 1176	N Bombardier Crest						1
21	517 0548	N Front Pulley Guard	1	1	1	1	1	1
22	517 0549	N Retainer Pin	1	1	1	1	1	1
23	414 0574	Steel Wire (Mult 12")	AR	AR	AR	AR	AR	AR
24	409 0018	Open Barrel	6	6	6	6	6	6
25	390 4016	Rivet	3	3	3	3	3	3
26	414 0849	Hair Pin	2	2	2	2	2	2
27	570 1711	Washer	1	1	1	1	1	1
28	386 1019	Wing Nut	1	1	1	1	1	1
29	414 1209	N Pulley Guard Label	1	1	1	1	1	1





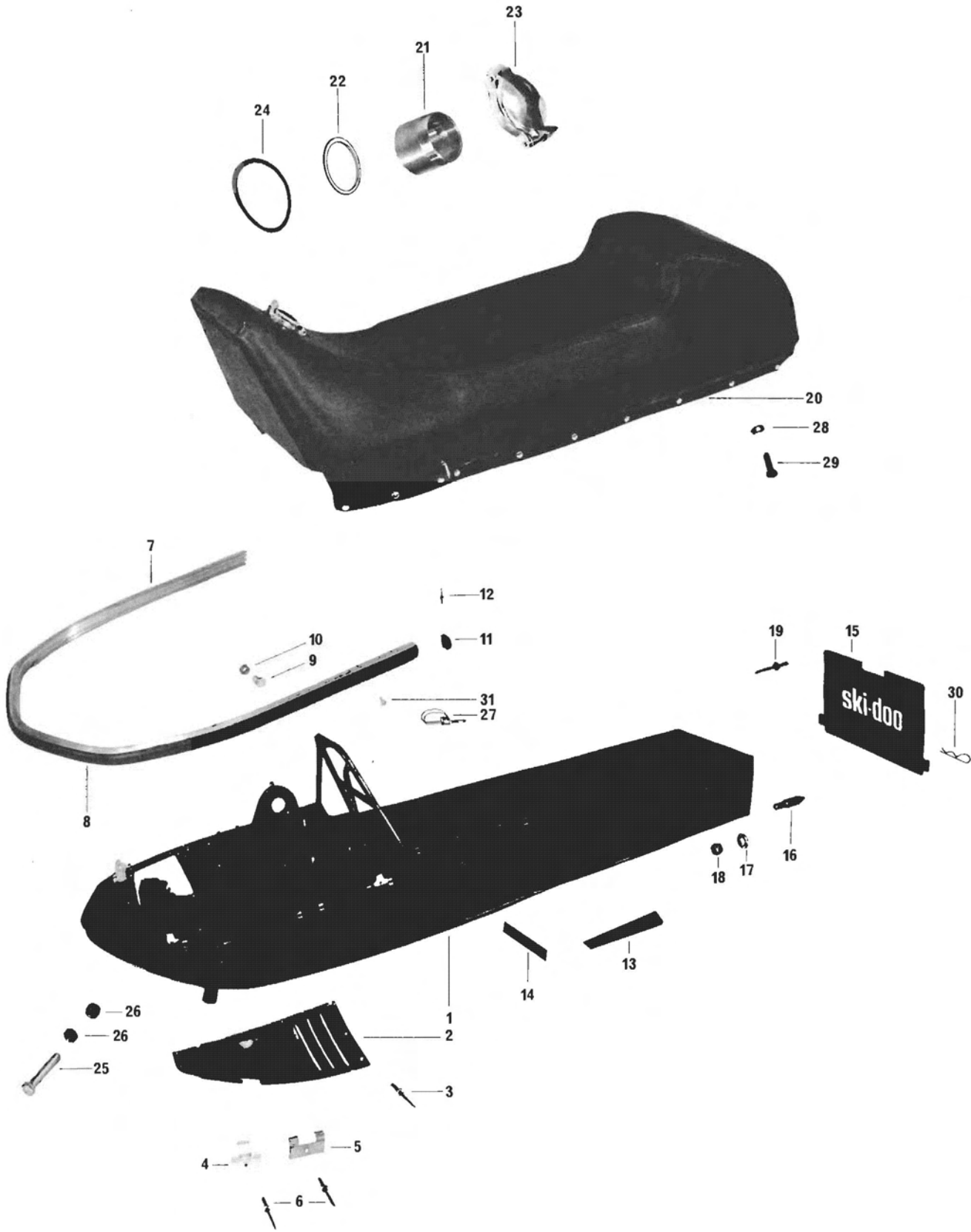
SUSPENSION (Blizzard)



ITEM NO.	PART NO.	DESCRIPTION	QUANTITY					
			293	339	395	438	645	797
1	570 0030	N Track Ass'y ⁴⁵⁸ 570.0047	1	1	1	1	1	1
2	500 0004	N Cross Link	AR	AR	AR	AR	AR	AR
3	390 9026	N Rivet	AR	AR	AR	AR	AR	AR
4	501 0070	N Drive Axle	1	1	1	1	1	1
5	365 2020	Screw	2	2	2	2	2	2
6	414 1006	N Sprocket	2	2	2	2	2	2
7	501 0069	N Mobile Flange	2	2	2	2	2	2
8	300 9001	Screw	16	16	16	16	16	16
9	386 6019	Nut	16	16	16	16	16	16
10	581 1017	Seal W/Spring	2	2	2	2	2	2
11	414 0153	Spring For Seal	2	2	2	2	2	2
12	405 4004	Bearing	2	2	2	2	2	2
13	501 0032	End Bearing Housing	1	1	1	1	1	1
14	392 0019	Washer	3	3	3	3	3	3
15	300 1002	Screw	3	3	3	3	3	3
16	581 0355	N Runner Ass'y R.H.	1	1	1	1	1	1
16	581 0354	N Runner Ass'y L.H.	1	1	1	1	1	1
17	503 0185	N Sliding Block	2	2	2	2	2	2
18	414 1121	N Wheel Ass'y	2	2	2	2	2	2
19	581 0353	N Front Tube Ass'y	1	1	1	1	1	1
20	503 0194	N Front Axle	1	1	1	1	1	1
21	503 0172	N Washer	4	4	4	4	4	4
22	399 8026	Lock Washer	6	6	6	6	6	6
23	300 9081	Screw	4	4	4	4	4	4
24	581 0352	N Arm Support	2	2	2	2	2	2
25	414 1104	N Front Spring R.H.	1	1	1	1	1	1
26	581 0351	N Front Arm Ass'y	2	2	2	2	2	2
27	503 0193	N Cross Shaft	2	2	2	2	2	2
28	399 8026	Washer	4	4	4	4	4	4
29	301 7082	Screw	4	4	4	4	4	4
30	503 0192	N Angle Spring Support	2	2	2	2	2	2
31	301 7003	Screw	8	8	8	8	8	8
32	386 6019	Nut	8	8	8	8	8	8
33	301 7049	Screw	2	2	2	2	2	2
34	301 7046	Screw	2	2	2	2	2	2
35	301 7047	Screw	2	2	2	2	2	2
36	503 0191	N Spring Tensioner	4	4	4	4	4	4
37	399 9007	Washer	4	4	4	4	4	4
38	386 6022	Nut	10	10	10	10	10	10
39	570 0310	N Stop Bonding	4	4	4	4	4	4
40	399 8007	Washer	8	8	8	8	8	8
41	301 3000	Screw	8	8	8	8	8	8
42	581 0350	N Rear Arm Ass'y	2	2	2	2	2	2
43	414 1106	N Rear Spring R.H.	1	1	1	1	1	1
43	414 1107	N Rear Spring L.H.	1	1	1	1	1	1
44	581 0349	N Rear Tube Ass'y	1	1	1	1	1	1
45	503 0189	N Spacer Shaft	1	1	1	1	1	1
46	301 7083	Screw	2	2	2	2	2	2
47	503 0188	N Rear Axle	1	1	1	1	1	1
48	414 1125	N Idler Ass'y	2	2	2	2	2	2
49	309 8060	Screw	2	2	2	2	2	2
50	380 9026	Nut	2	2	2	2	2	2
51	399 8025	Washer	2	2	2	2	2	2
52	560 3014	Slider Shoe	2	2	2	2	2	2
53	320 1063	Screw	2	2	2	2	2	2
54	386 6013	Nut	2	2	2	2	2	2

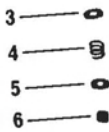
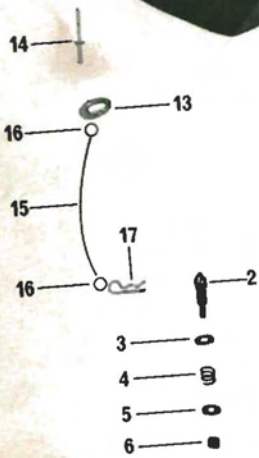
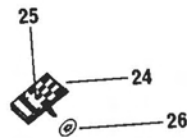
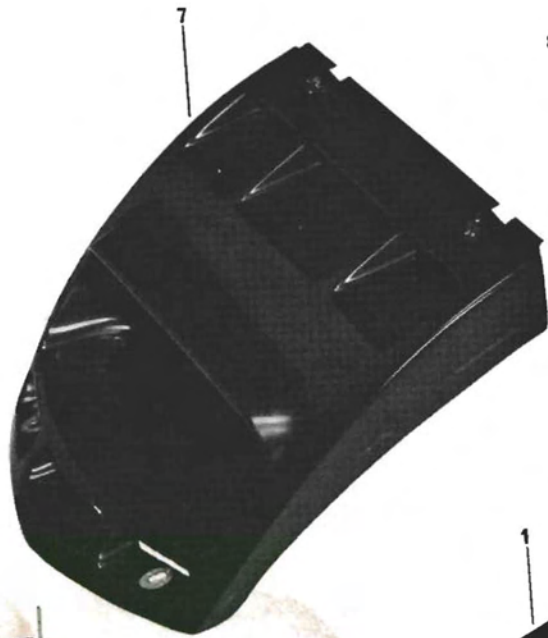


FRAME (Blizzard)



ITEM NO.	PART NO.	DESCRIPTION	QUANTITY					
			293	339	395	438	645	797
1	580 0381	N Frame with upper column only	1	1	1	1	1	1
2	571 2716	N Ski Arm Protector R.H.	1	1	1	1	1	1
2	571 2717	N Ski Arm Protector L.H.	1	1	1	1	1	1
3	390 4036	Rivet	22	22	22	22	22	22
4	517 0503	N Latch Bracket	4	4	4	4	4	4
5	517 0504	N Cabin Guide	3	3	3	3	3	3
6	390 4037	Rivet	14	14	14	14	14	14
7	517 0509	N Bumper	1	1	1	1	1	1
8	517 0518	N Vinyl Bumper	1	1	1	1	1	1
9	300 9035	Screw	4	4	4	4	4	4
10	386 6019	Nut	4	4	4	4	4	4
11	572 2715	N Cap R.H.	1	1	1	1	1	1
11	572 2716	N Cap L.H.	1	1	1	1	1	1
12	390 9025	Rivet	4	4	4	4	4	4
13	414 1166	N Foot Pad R.H.	1	1	1	1	1	1
13	414 1167	N Foot Pad L.H.	1	1	1	1	1	1
14	414 1168	N Foot Pad R.H. (Front)	1	1	1	1	1	1
14	414 1169	N Foot Pad L. H. (Front)	1	1	1	1	1	1
15	570 1795	N Snow Guard	1	1	1	1	1	1
16	517 0486	N Snow Guard Retainer	2	2	2	2	2	2
17	399 9015	Washer	2	2	2	2	2	2
18	386 6019	Nut	2	2	2	2	2	2
19	390 9017	Rivets	5	5	5	5	5	5
20	414 1151	N Seat (Fuel Tank)	1	1	1	1	1	1
21	517 0529	N Coupling	1	1	1	1	1	1
22	414 1182	N Gasket	AR	AR	AR	AR	AR	AR
23	414 1153	N Fuel Cap	1	1	1	1	1	1
24	570 1798	Grommet	1	1	1	1	1	1
25	560 6006	Screw	2	2	2	2	2	2
26	387 2022	Nut	4	4	4	4	4	4
27	414 1152	Hose Tie	AR	AR	AR	AR	AR	AR
28	399 9008	Washer	2	2	2	2	2	2
29	300 5003	Screw	2	2	2	2	2	2
30	414 1124	Hair Pin Cotter	2	2	2	2	2	2
31	365 9004	Screw	2	2	2	2	2	2

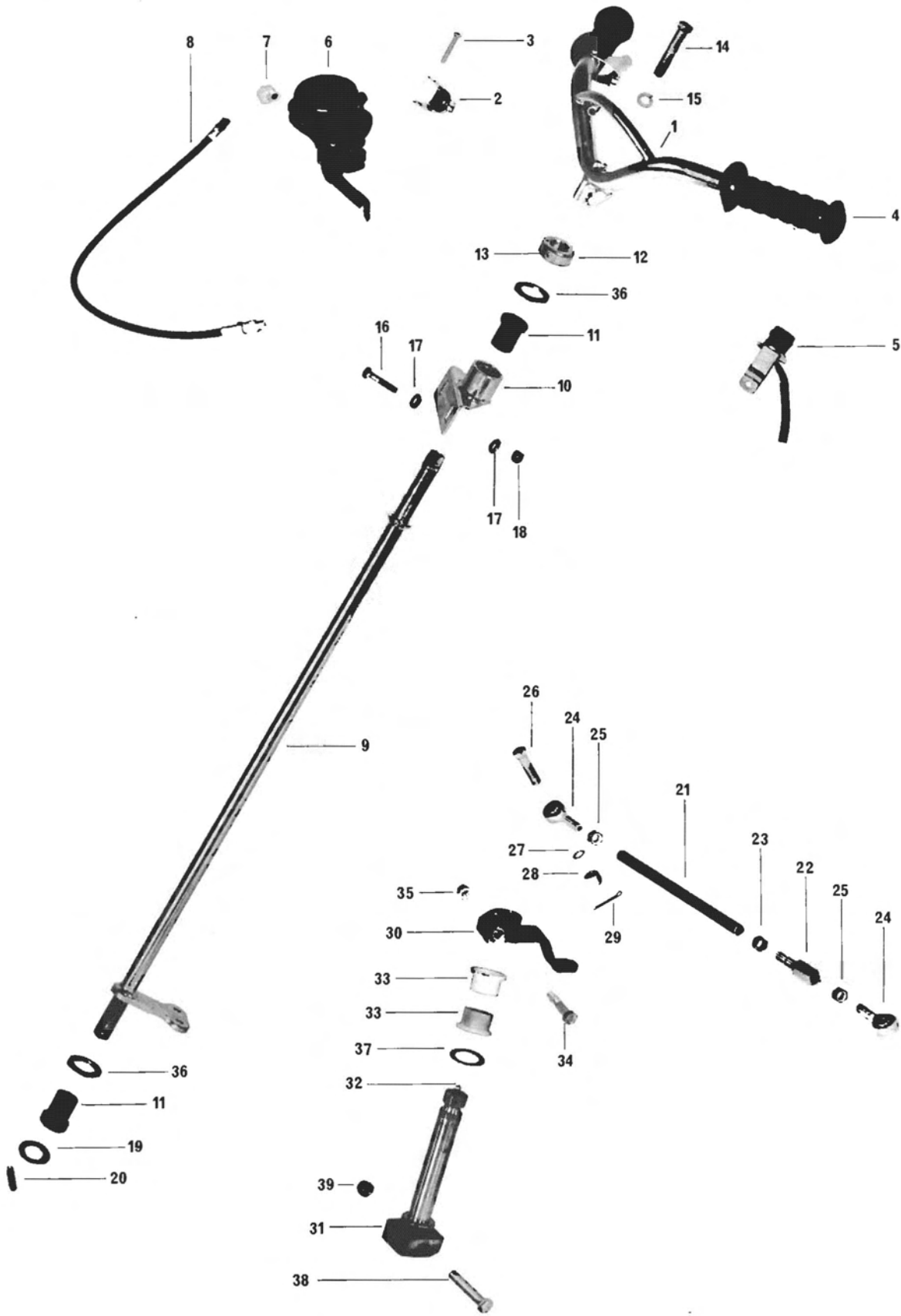




ITEM NO.	PART NO.	DESCRIPTION	QUANTITY					
			293	339	395	438	645	797
1	571 2726	N Cab (Alone)	1	1	1	1	1	1
2	517 0543	N Pin	2	2	2	2	2	2
3	389 9006	Washer	2	2	2	2	2	2
4	414 1197	N Spring	2	2	2	2	2	2
5	399 9015	Washer	4	4	4	4	4	4
6	386 6019	Nut	2	2	2	2	2	2
7	571 2729	N Louver (Alone)	1	1			1	1
7	571 2730	N Louver (Alone)			1	1		
8	517 0547	N Hinge W/Pin	1	1	1	1	1	1
8	517 0546	N Hinge	1	1	1	1	1	1
9	517 0542	N Plate	4	4	4	4	4	4
10	326 5063	Screw	8	8	8	8	8	8
11	399 9018	Washer	8	8	8	8	8	8
12	386 7002	Nut	8	8	8	8	8	8
13	517 0541	N Slotter Washer	2	2	2	2	2	2
14	390 4016	Rivet	4	4	4	4	4	4
15	414 0574	Steel Wire (Mult 12")	AR	AR	AR	AR	AR	AR
16	409 0023	Open Barrel	4	4	4	4	4	4
17	414 1196	Hair Pin Cotter	2	2	2	2	2	2
18	414 1082	Cabin Latch	4	4	4	4	4	4
19	517 0238	Cabin Guide	8	8	8	8	8	8
20	390 4014	Rivet	16	16	16	16	16	16
21	414 0322	Hair Pin Cotter	4	4	4	4	4	4
22	414 1178	N Ski-Doo Label	3	3	3	3	3	3
23	414 1177	N Filament Tape (Mult 12")	AR	AR	AR	AR	AR	AR
24	572 1706	Identification Plate	1	1	1	1	1	1
25	414 0916	Identification Label	1	1	1	1	1	1
26	389 8043	Push Nut	2	2	2	2	2	2
27	414 1175	N Stripe (Mult 12")	AR	AR	AR	AR	AR	AR
	414 1219	N White Stripe (Not Illustrated)	1	1	1	1	1	1



STEERING (Blizzard)



ITEM NO.	PART NO.	DESCRIPTION	QUANTITY					
			293	339	395	438	645	794
1	506 0197	N Handle	1	1	1	1	1	1
2	581 1036	Throttle Handle	1	1	1	1	1	1
3	390 9001	Rivet	1	1	1	1	1	1
4	570 0610	N Handle Grip	2	2	2	2	2	2
5	515 0460	N Shorting Button	1	1			1	1
5	515 0496	N Shorting Button			1	1		
6	414 1111	Brake Master	1	1	1	1	1	1
7	414 1191	N Elbow Connector (45°)	1	1	1	1	1	1
8	414 1174	N Brake Hose	1	1	1	1	1	1
9	506 0198	N Handle Bar	1	1	1	1	1	1
10	506 0202	N Bar Bracket	1	1	1	1	1	1
11	580 0710	N Bushing	2	2	2	2	2	2
12	506 0195	N Collet	1	1	1	1	1	1
13	365 2021	Screw	1	1	1	1	1	1
14	301 7128	Screw	1	1	1	1	1	1
15	399 8025	Washer	1	1	1	1	1	1
16	301 7005	Screw	2	2	2	2	2	2
17	399 9015	Washer	4	4	4	4	4	4
18	386 6019	Nut	2	2	2	2	2	2
19	399 9055	Washer	1	1	1	1	1	1
20	372 3002	Roll Pin	1	1	1	1	1	1
21	506 0199	N Tie Rod	2	2	2	2	2	2
22	506 0200	N Turn Buckle	2	2	2	2	2	2
23	389 8016	Nut	2	2	2	2	2	2
24	414 1109	N Male Rod End	4	4	4	4	4	4
25	387 2024	Nut	4	4	4	4	4	4
26	560 6004	Screw	4	4	4	4	4	4
27	506 0196	N Spacer	4	4	4	4	4	4
28	386 6024	Nut	4	4	4	4	4	4
29	371 0012	Cotter Pin	4	4	4	4	4	4
30	506 0194	N Steering Arm	2	2	2	2	2	2
31	506 0192	N Ski Leg	2	2	2	2	2	2
32	408 2004	Grease Fitting	2	2	2	2	2	2
33	506 0193	N Ski Leg Bushing	4	4	4	4	4	4
34	300 9087	Screw	2	2	2	2	2	2
35	386 6024	Nut	2	2	2	2	2	2
36	570 0613	Rubber Washer	2	2	2	2	2	2
37	504 1082	Shim	AR	AR	AR	AR	AR	AR
38	309 8066	Screw	2	2	2	2	2	2
39	386 6024	Nut	2	2	2	2	2	2



ITEM NO.	PART NO.	DESCRIPTION	QUANTITY					
			293	339	395	438	645	797
1	505 0104	N Ski Runner	2	2	2	2	2	2
2	560 5001	Runner Shoe	2	2	2	2	2	2
3	505 0103	N Washer	6	6	6	6	6	6
4	387 2024	Nut	6	6	6	6	6	6
5	505 0033	Spring Slider Cushion	2	2	2	2	2	2
6	505 0092	Main Leaf Spring	2	2	2	2		
6	505 0093	Main Leaf Spring					2	2
7	301 7053	Screw (Front)	2	2	2	2	2	2
8	301 7051	Screw (Rear)	2	2	2	2	2	2
9	386 6022	Nut	4	4	4	4	4	4
10	505 0096	N Auxiliary Leaf Spring	2	2	2	2	2	2
11	505 0094	N Auxiliary Leaf Spring	2	2	2	2	2	2
12	505 0105	N Auxiliary Leaf Spring	2	2	2	2	2	2
13	570 0508	N Rebound Leaf	2	2	2	2	2	2
14	505 0102	N Spring Coupler	2	2	2	2	2	2
15	300 8085	Screw	4	4	4	4	4	4
16	386 6024	Nut	4	4	4	4	4	4
17	414 0344	N Shock	2	2	2	2	2	2
18	301 7133	Screw	2	2	2	2	2	2
19	301 7131	Screw	2	2	2	2	2	2
20	386 6026	Nut	4	4	4	4	4	4
21	570 0507	N Padding Handle	2	2	2	2	2	2
22	414 1152	N Tie Rap	4	4	4	4	4	4



