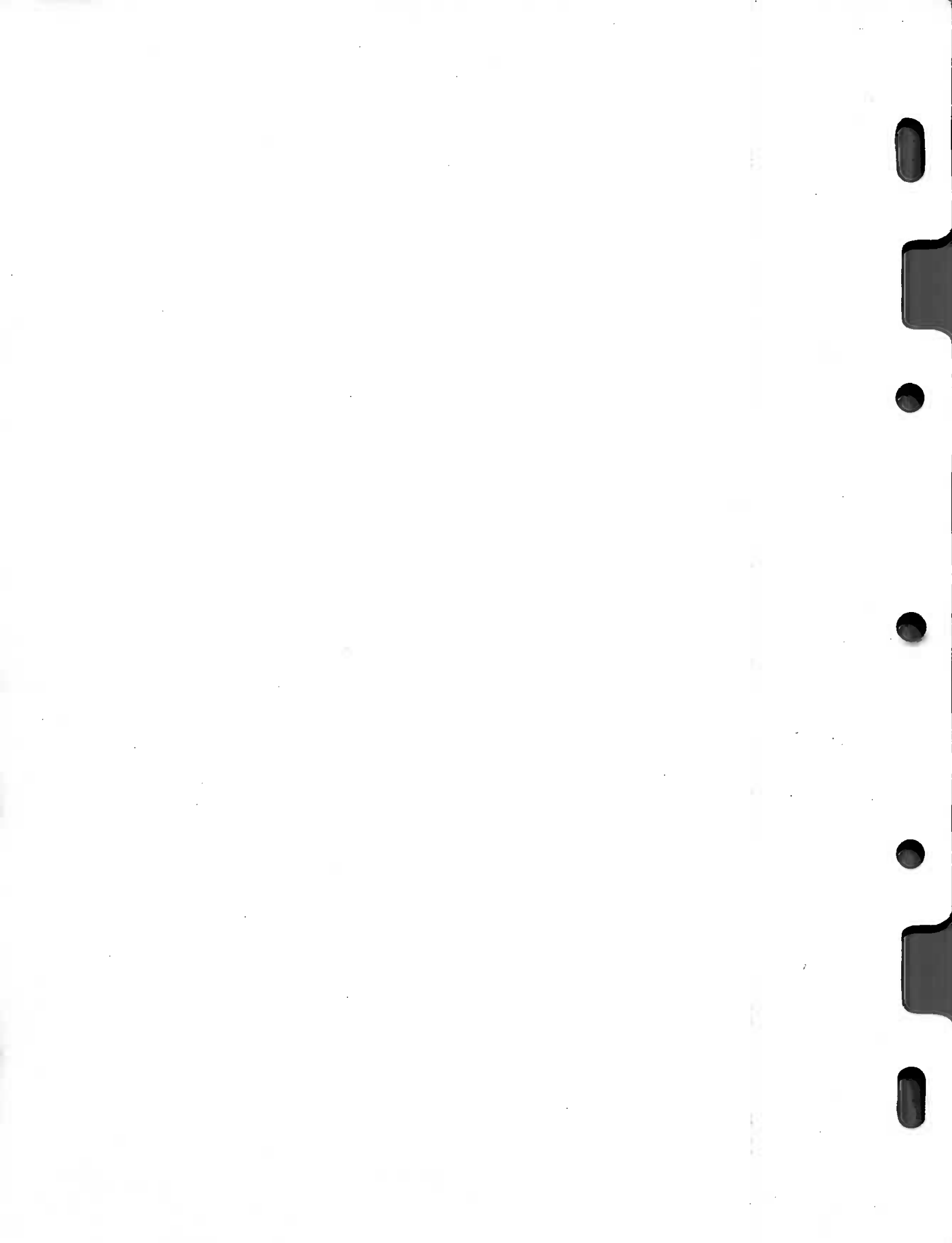


SECTION 5

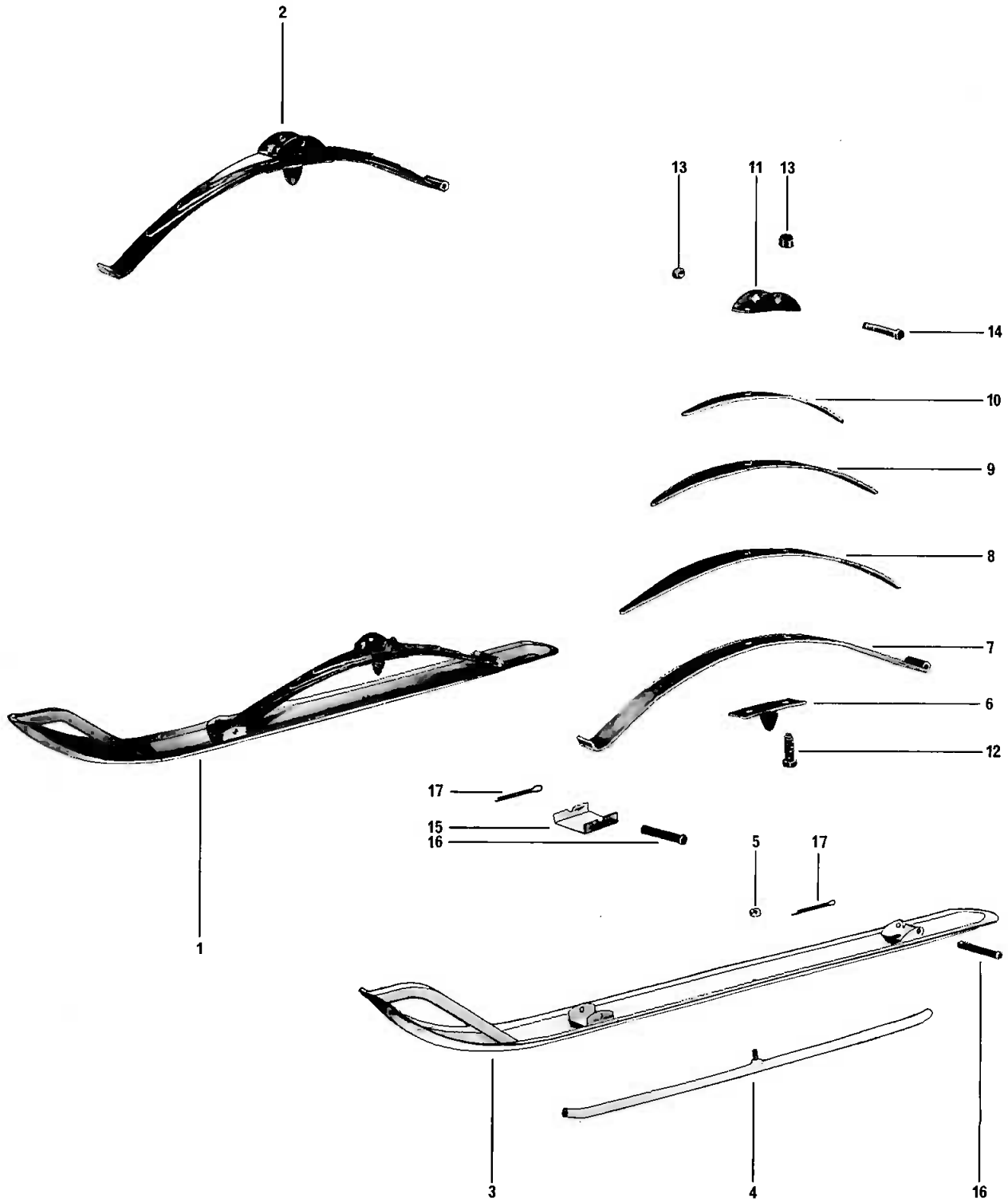
ACCESSORIES



SKI-BOOSE MK I - MK II

CARRY BOOSE

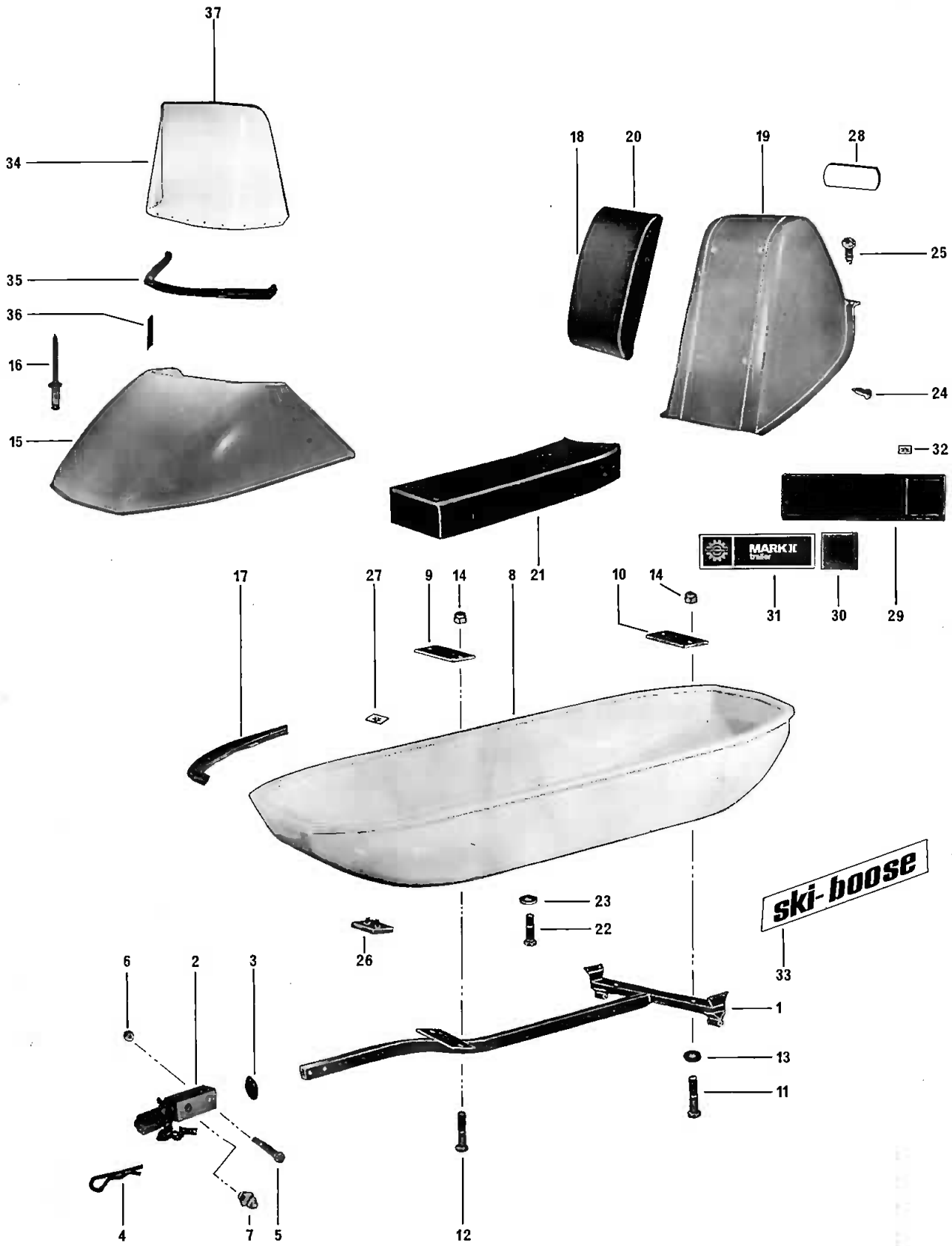
SKI SKI-BOOSE MK I - MK II



SKI

ITEM NO.	PART NO.	DESCRIPTION	QUANTITY	
			Mk I	Mk II
1	581 5011	R. H. Ski Ass'y	1	1
1	581 5012	L. H. Ski Ass'y	1	1
2	582 5006	R. H. Leaf Spring Ass'y	1	1
2	582 5007	L. H. Leaf Spring Ass'y	1	1
3	550 1019	Ski Runner	2	2
4	505 0002	Runner Shoe	2	2
5	387 2022	Nut.....	2	2
6	505 0036	Rebound Plate	2	2
7	505 0018	Main Leaf Spring	2	2
8	505 0014	Auxiliary Spring	2	2
9	505 0013	Auxiliary Leaf Spring	2	2
10	505 0015	Auxiliary Leaf Spring	2	2
11	505 0045	Spring Coupler	2	2
12	300 8085	Screw.....	4	4
13	389 8036	Nut.....	6	6
14	309 8007	Screw	2	2
15	505 0033	Spring Slider Cushion	2	2
16	505 0034	Retainer Pin	4	4
17	371 0011	Cotter Pin	4	4

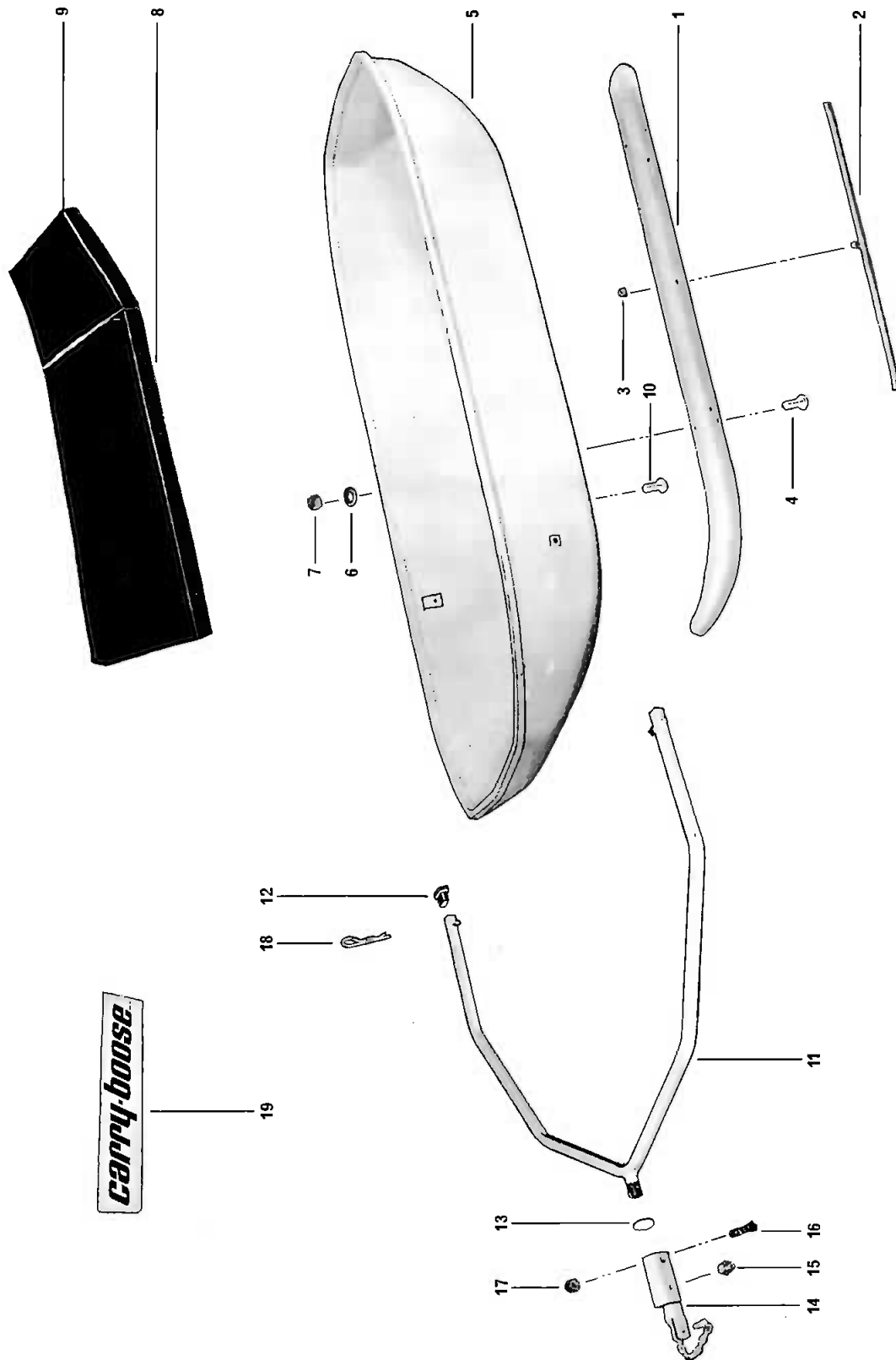
FRAME & BODY



FRAME & BODY

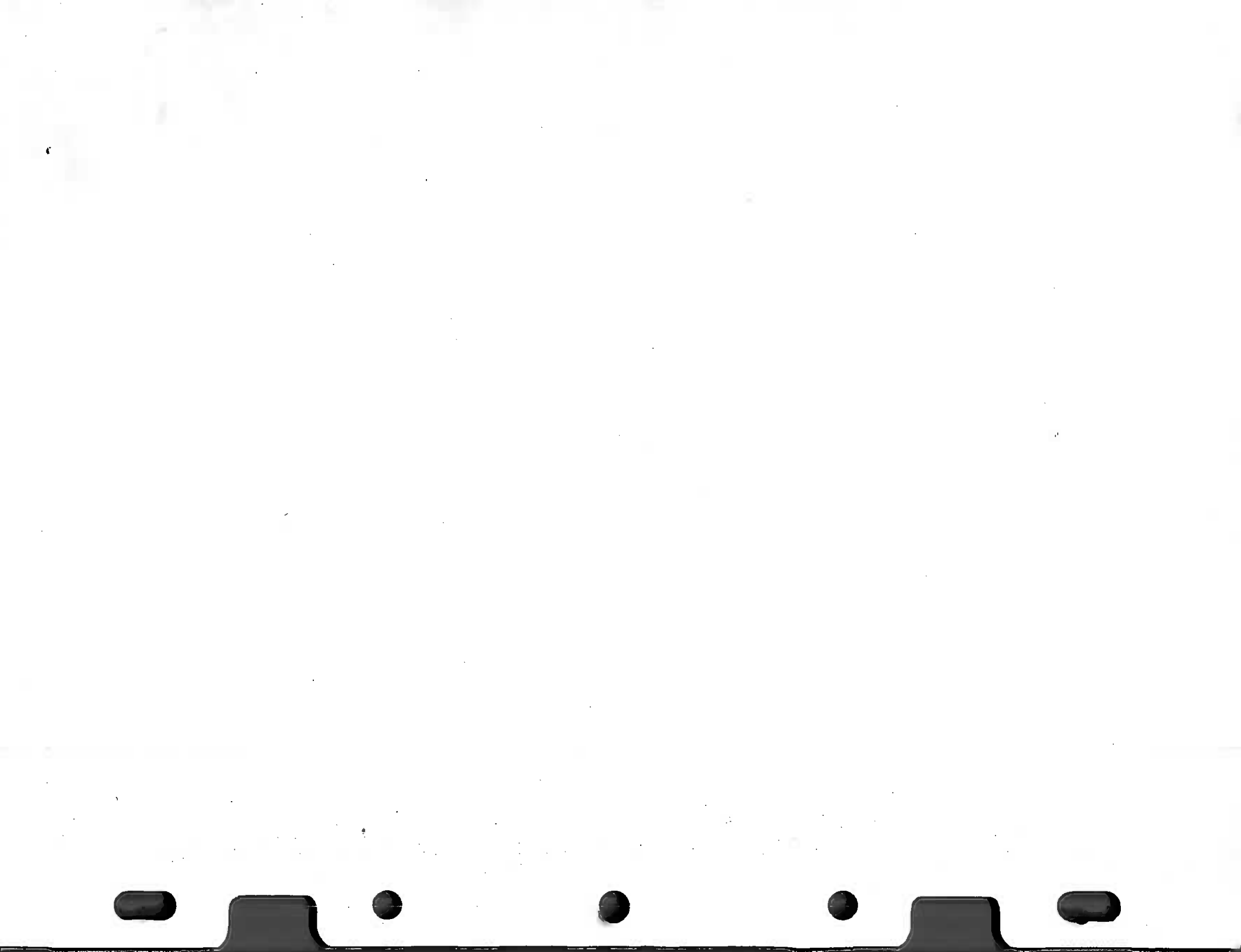
ITEM NO.	PART NO.	DESCRIPTION	QUANTITY	
			Mk I	Mk II
1	518 0233	Frame	1	
1	518 0160	Frame		1
2	518 0162	Hitch Bracket.....	1	1
3	502 0011	Cap	1	1
4	414 0322	Hair Pin Cotter	1	1
5	300 0087	Screw	1	1
6	386 6024	Nut.....	1	1
7	408 2001	Grease Fitting	1	1
8	571 1792	Shell.....	1	
8	578 0158	Shell		1
9	518 0161	Plate	1	1
10	518 0234	Plate	2	
11	300 1041	Screw.....	4	6
12	300 1043	Screw.....	2	2
13	399 9007	Flat Washer		6
14	389 8037	Nut.....	6	8
15	571 1791	Cab	1	
15	572 1716	Cab		1
16	390 4017	Rivet		10
16	368 9022	Staples	13	
17	570 1749	Moulding Trim	1	
17	570 1748	Moulding Trim		1
18	414 0487	Backrest	1	
19	571 1759	Backrest Housing		1
20	414 0330	Covering		1
21	414 0328	Seat		1
21	414 0486	Seat	1	
22	320 1063	Screw	10	
22	300 5001	Screw		4
23	399 9018	Washer.....	10	
23	399 9015	Washer.....		4
24	362 9103	Screw.....		4
25	363 0073	Screw		5
26	570 1804	Bumper Pad		2
27	389 8018	Speed Nut		4
28	410 9043	Reflector (tail lamp)	1	1
29	414 0412	Reflector Plate.....	2	2
30	414 0435	Reflector	2	2
31	414 0473	Identification Label	2	
31	414 0470	Identification Label		2
32	389 8019	Speed Nut	6	6
33	414 0471	Identification Label	2	2
34	414 0254	Windshield		1
34	414 0187	Windshield	1	
35	570 1716	Windshield Anchor Strip	1	
35	570 1720	Windshield Anchor Strip		1
36	517 0142	Windshield Anchor Tab	9	9
37	414 0255	Moulding (Mult 12'')	AR	AR

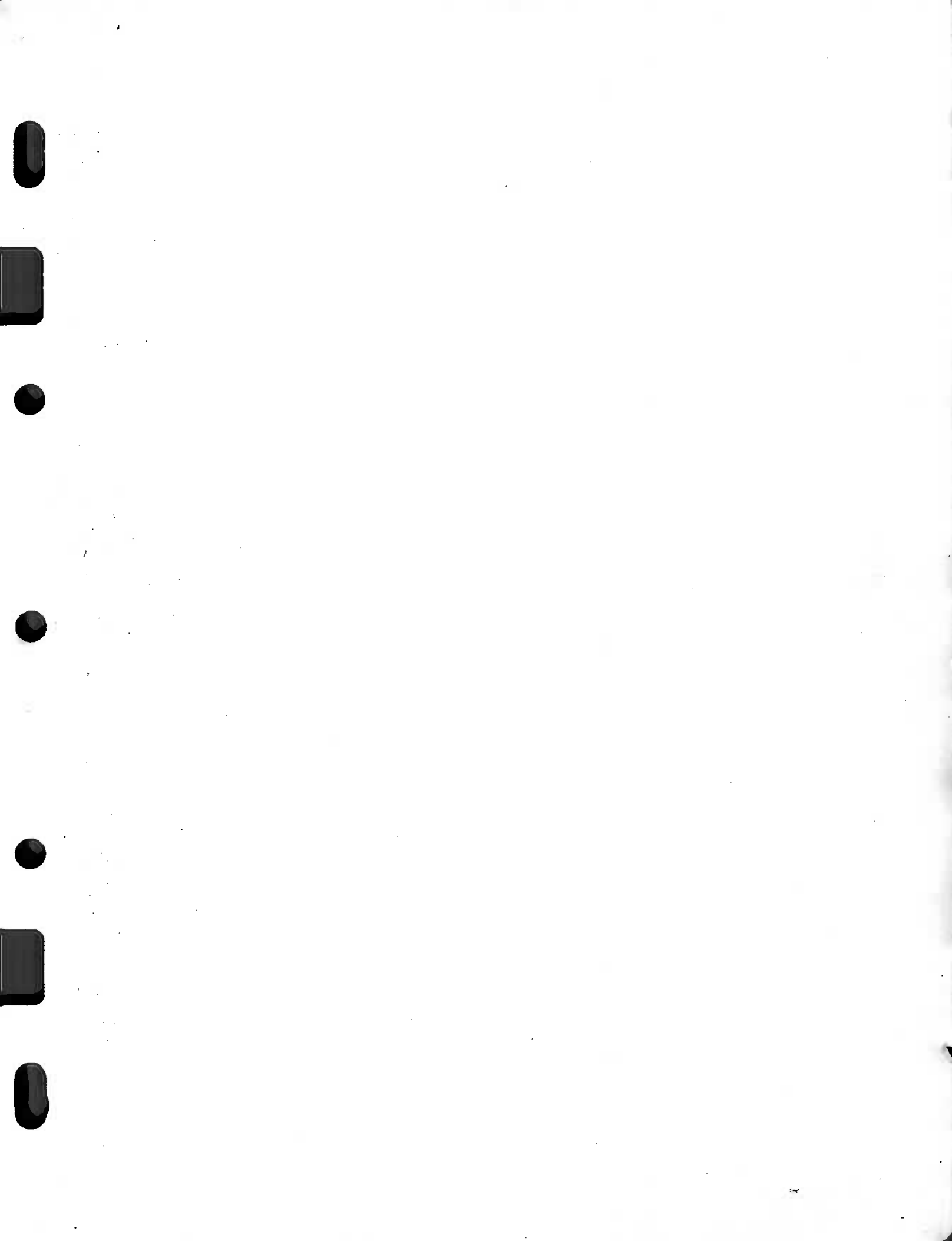
CARRY BOOSE



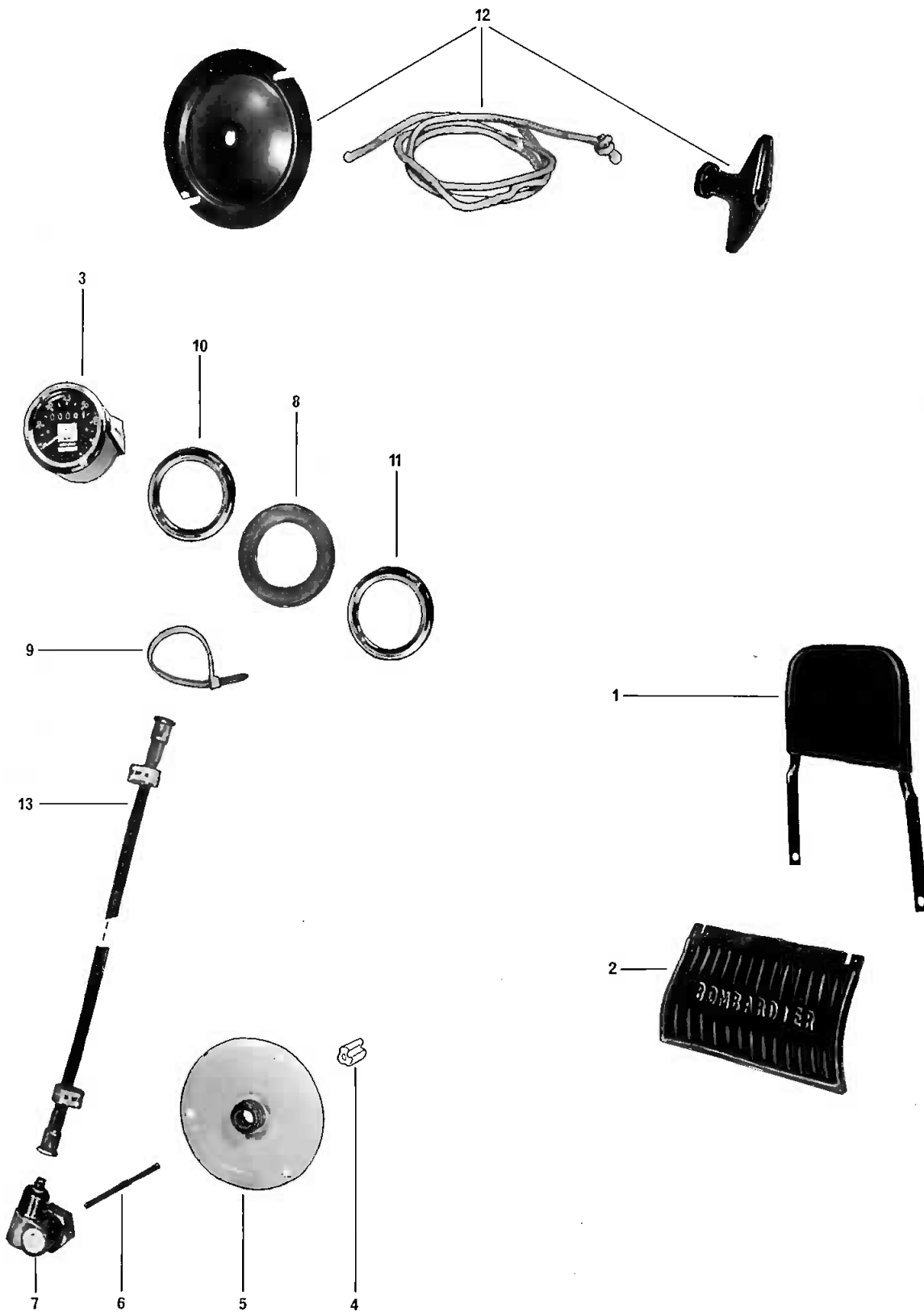
CARRY BOOSE

ITEM NO.	PART NO.	DESCRIPTION	QUANTITY
1	550 1021	Ski Runner	2
2	505 0002	Runner Shoe	2
3	387 2022	Nut.....	2
4	320 1100	Screw.....	8
5	518 0242	Shell	1
6	391 0021	Washer	8
7	387 2019	Nut.....	8
8	414 0528	Seat	1
9	414 0529	Leatherette	1
10	321 7100	Screw	2
11	550 1022	Tow Bar	1
12	570 1728	End Cap	2
13	502 0011	Cap	1
14	518 0162	Hitch Bracket	1
15	408 2001	Grease Fitting	1
16	300 0087	Screw	1
17	386 6024	Nut.....	1
18	414 0322	Hair Pin Cotter	3
19	414 0534	Identification Label	2





ACCESSORIES



BOMBARDIER LTD./LTEE

Cat. No. 480 1011

ACCESSORIES

ITEM NO.	PART NO.	DESCRIPTION	MODEL
1	414 0058	Center Backrest	O-Al-TNT 15"
1	580 0144	Center Backrest	N-TNT 18"
2	570 1746	Snow Guard	N-TNT 18"
	861 7013	Snow Guard Kit	N-TNT 18"
2	570 1747	Snow Guard	O-TNT 15"
	861 7012	Snow Guard Kit	O-TNT 15"
	861 7006	Speedometer Kit	All
3	414 0193	Speedometer	All
4	414 0361	Drive Insert .500	All
5	501 0011	End Bearing Housing	All
6	414 0384	Coupling Cable	All
7	414 0195	Angle Drive	All
8	414 0194	Shock Absorber	All
9	114 0043	Hose Tie	All
	409 6020	Wire Brown 16Ga (Mult 12")	All
	409 2010	Tab	All
	409 2012	Receptacle Housing	All
	409 2013	Tab Housing	All
	409 2014	Receptacle	All
10	414 0499	Outer Ring	All
11	414 0500	Inner Ring	All
	580 0245	Seat Ass'y W/Fuel Tank	TNT 18"
	414 0438	Foam (Seat)	O-Al
	414 0439	Foam (Seat)	Nordic
12	860 4001	Starter Emergency Kit	All
	412 5001	Starter Rope (Mult 12")	All
	861 7001	Front Bumper Kit (See Part Cat. O)	12/3
	861 7003	Rear Bumper Kit (See Part Cat O)	12/3
	861 7010	Rear Bumper Kit	TNT 15"
	861 7011	Rear Bumper Kit	TNT 18"
13	414 0196	Drive Cable W/Housing 42"L	N-O-TNT 15"-AL
	414 0362	Drive Cable W/Housing 48"L	TNT 18"

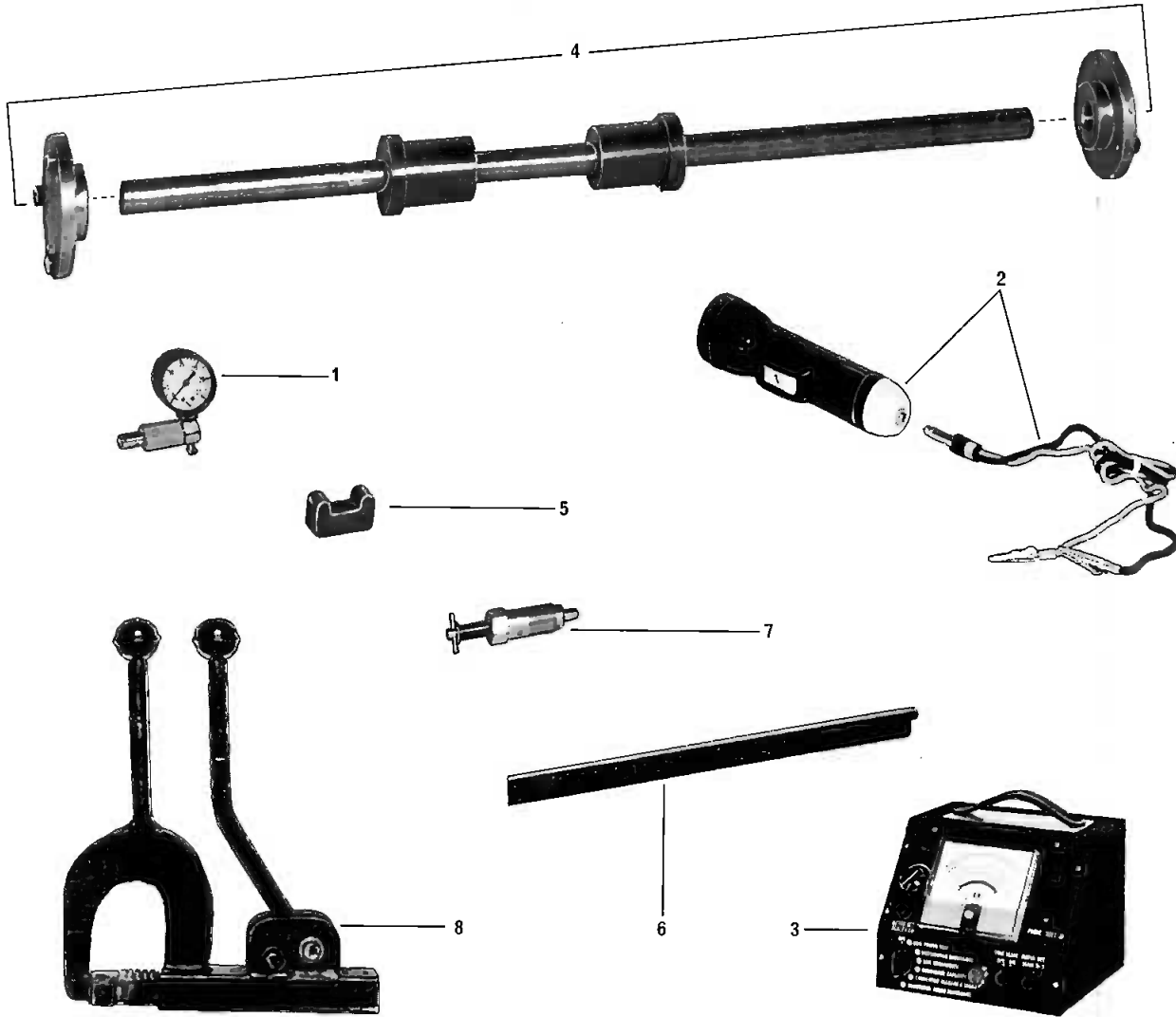
DRIVE SPROCKET

ITEM NO.	TEETH	SHAFT	PITCH	SPLINE	STANDARD ON
OLYMPIC 12/3 - 335-TNT 292					
504 0007	9 Single	3/4"	1/2"	8	
504 0008	10 "	3/4"	1/2"	8	O 12/3 TNT 292
504 0009	11 "	3/4"	1/2"	8	O 335
504 0024	12 "	3/4"	1/2"	8	
504 0029	13 "	3/4"	1/2"	8	
504 0010	14 "	3/4"	1/2"	8	
504 0035	15 "	3/4"	1/2"	8	
504 0030	16 "	3/4"	1/2"	8	
504 0031	17 "	3/4"	1/2"	8	
OLYMPIC 399 TNT 340-399 NORDIC399 BLIZZARD 292-340					
504 0102	12 Double	3/4"	3/8"	8	
504 0090	13 "	3/4"	3/8"	8	
504 0091	14 "	3/4"	3/8"	8	Blizzard 292
504 0044	15 "	3/4"	3/8"	8	Blizzard 340
504 0061	16 "	3/4"	3/8"	8	O 399-TNT340-399
504 0062	17 "	3/4"	3/8"	8	N 399
504 0063	18 "	3/4"	3/8"	8	
504 0064	19 "	3/4"	3/8"	8	
504 0065	20 "	3/4"	3/8"	8	
504 0092	24 "	3/4"	3/8"	8	
504 0093	25 "	3/4"	3/8"	8	
504 0075	26 "	3/4"	3/8"	8	
504 0076	27 "	3/4"	3/8"	8	
NORDIC 640 TNT 640-775 BLIZZARD 436-636-776					
504 0128	13 Double	1"	3/8"	15	
504 0127	14 "	1"	3/8"	15	
504 0124	15 "	1"	3/8"	15	
504 0106	16 "	1"	3/8"	15	Blizzard 436
504 0089	17 "	1"	3/8"	15	
504 0085	18 "	1"	3/8"	15	
504 0082	19 "	1"	3/8"	15	
504 0083	20 "	1"	3/8"	15	N640-TNT640-775
504 0084	21 "	1"	3/8"	15	Blizzard 636
504 0059	22 "	1"	3/8"	15	
504 0067	23 "	1"	3/8"	15	Blizzard 776
504 0068	24 "	1"	3/8"	15	
504 0069	25 "	1"	3/8"	15	
504 0070	26 26"	1"	3/8"	15	

GASKET SET

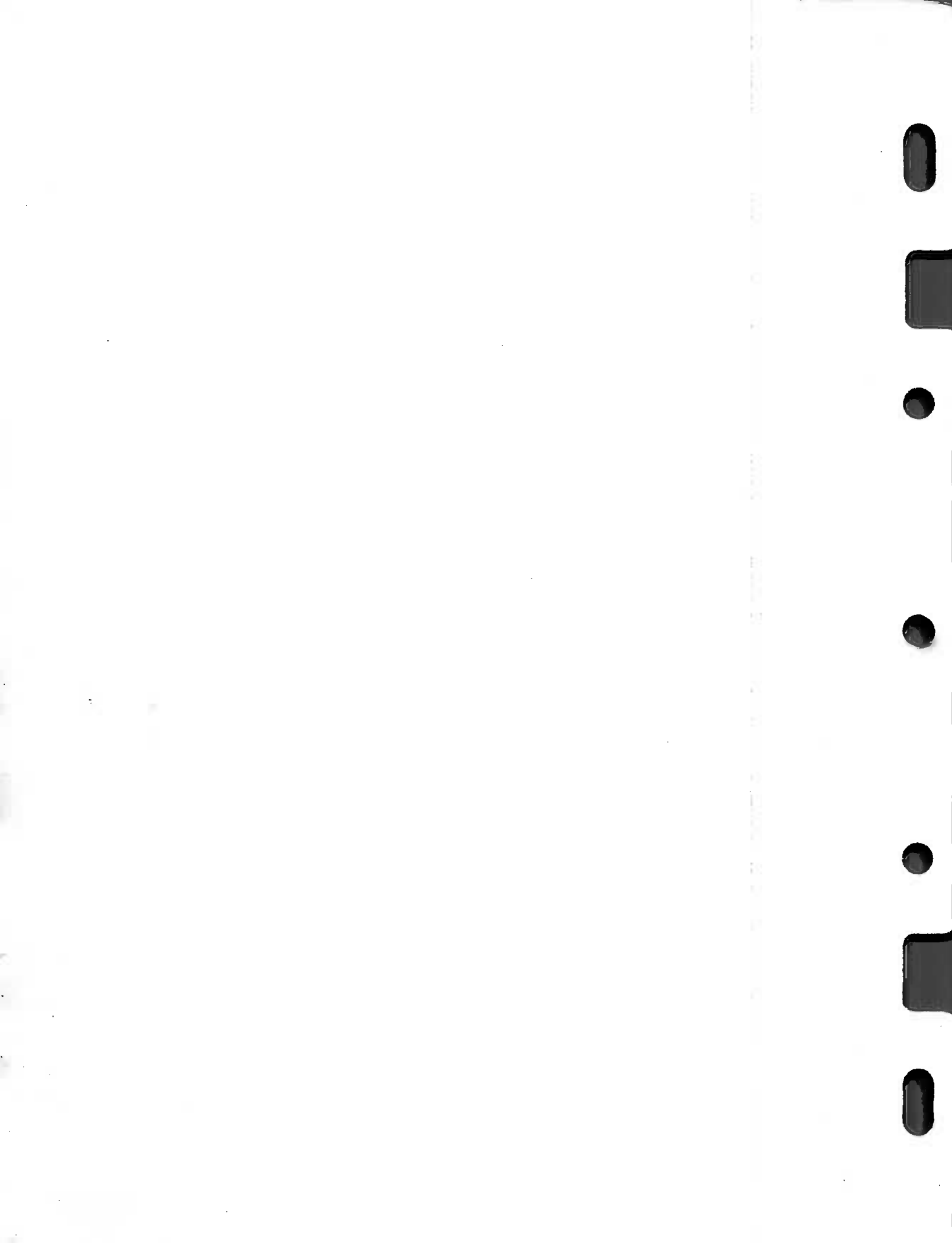
ITEM NO.	PART NO.	DESCRIPTION	QTY	MODEL
	402 9008	Gasket Set — Consisting Of		292
1	402 2088	Cylinder Flange Gasket	1	
2	402 2089	Exhaust Flange Gasket	1	
3	402 2101	Cylinder Head Gasket	1	
4	402 0014	Crankcase Gasket	1	
5	402 1002	Oil Seal	2	
6	402 0019	Sealing Ring	1	
	402 9009	Gasket Set — Consisting Of		12/3
1	402 2008	Cylinder Flange Gasket	1	
2	402 2043	Exhaust Flange Gasket	1	
3	402 2031	Cylinder Head Gasket	1	
4	402 0014	Crankcase Gasket	1	
5	402 1002	Oil Seal	2	
6	402 0019	Sealing Ring	1	
	402 9010	Gasket Set — Consisting Of		335
1	402 2123	Cylinder Flange Gasket	1	
2	402 2089	Exhaust Flange Gasket	1	
3	402 2101	Cylinder Head Gasket	1	
4	402 0014	Crankcase Gasket	1	
5	402 1002	Oil Seal	2	
6	402 0019	Sealing Ring	1	
	402 9013	Gasket Set — Consisting Of		399
1	402 2132	Cylinder Flange Gasket	2	
2	402 2133	Cylinder Head Gasket	2	
3	402 2134	Intake Gasket, P.T.O. Side	1	
4	402 2135	Intake Gasket, Magneto Side	1	
5	402 1136	Oil Seal	1	
6	402 1137	O Ring	5	
7	402 2136	Intake Manifold Ring Gasket	1	
8	402 1138	Oil Seal	1	
	402 9014	Gasket Set		640
1	402 2137	Cylinder Flange Gasket	2	
2	402 2101	Cylinder Head Gasket	2	
3	402 2138	Intake Gasket, P.T.O. Side	1	
4	402 2139	Intake Gasket, Magneto Side	1	
5	402 1101	Oil Seal	2	
6	402 1119	O-Ring	5	
7	402 2140	Intake Manifold Ring Gasket	1	
8	402 2101	Gasket Exhaust Flange	2	
9	402 2100	Isolating And Sealing Washer	3	
10	402 0019	Sealing Ring	2	

TOOLS



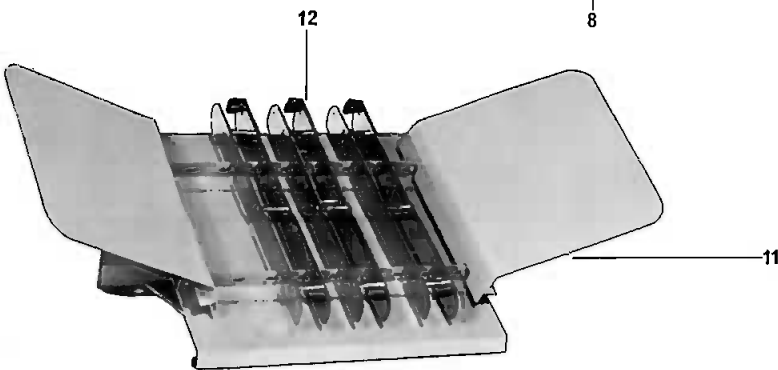
ITEM NO.	PART NO.	DESCRIPTION	MODEL
1	404 0163	Carburator Leak Detector	All
2	414 0122	Circuit Tester (Flashlight Type)	All
	414 0148	Chain Breaking Tool (All Pitch)	All
3	414 0192	Magneto Ignition Analyser (Mer-O-Tronic)	All
	414 0308	Coil Tester (Mer-O-Tronic)	All
4	529 0001	Bearing Housing Tool (To Adjust End Bearing Housing)	Alpine
5	529 0003	Insert Block Tool	All
6	529 0005	Adjuster Bar (To Adjust Pulley)	All
7	402 8016	Timing Gauge 155MM	All
8	414 0678	Clip-O-Matic (Tool To Ass Track Cleat)	All







MISCELLANEOUS



12

MISCELLANEOUS

ITEM NO.	PART NO.	DESCRIPTION	MODEL
1	402 9015	Crankcase Adhesive Glue- All Two Cylinders	
2	413 4001	Yellow Enamel Paint - Per Quart	All
3	413 4005	Yellow Enamel Spray Paint Monopoxy (Fiberglass & Metal) 16oz. ...	All
4	413 4007	Black Enamel Spray Paint - 14oz Can	All
5	413 4006	Black Flat Paint (Dull Finish) - Per Quart	All
6	413 7010	Anti-Seize Lubricant Lock Tite 12oz Spray Can To Seal The Ring ... Gear On The Crankshaft For The Two Cylinders Electric Model ...	
7	413 8001	Chain Case Oil 8oz Can	All
8	413 8003	Ski-Doo Engine Mixing Oil (Imperial Quart-Canada)	All
9	413 8004	Ski-Doo Engine Mixing Oil (1 Quart U.S.A.)	All
9	413 9007	Anti-Rust Metal Protector L.P.S. Spray no3 16oz Canadian	All
10	413 9008	Anti-Rust Metal Protector L.P.S. Spray no3 - 16oz U.S.A.....	All
10	413 9014	Anti-Rust Metal Protector L.P.S. Spray no1 - 16oz Canadian	All
10	413 9012	Anti-Rust Metal Protector S.F. Lawrason 8M12 - 14oz	All
11	484 0027	Metallic Stand - Desk Type for Catalogues	
12	484 0028	Section For Stand	

