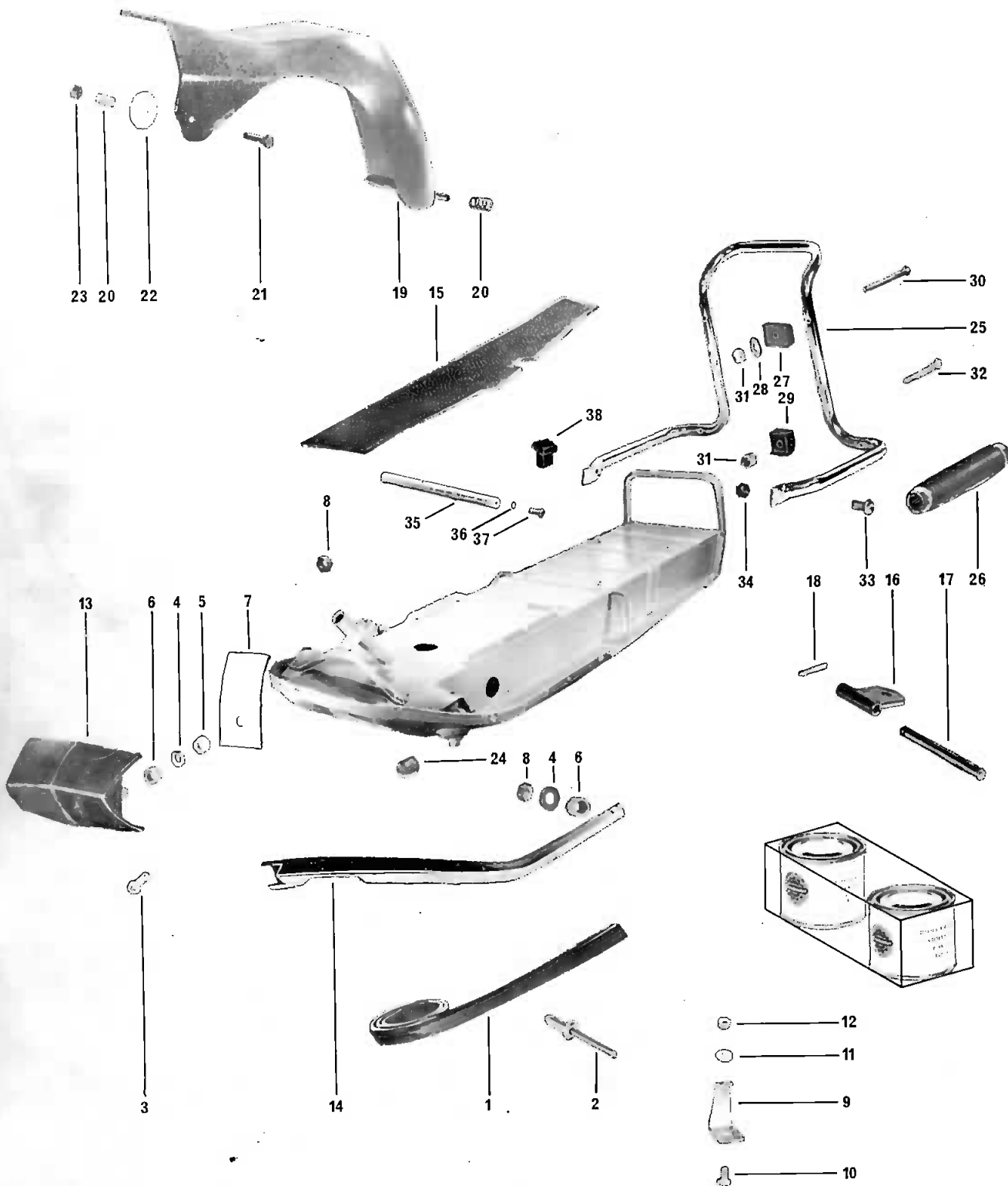


SECTION 4

FRAME BODY

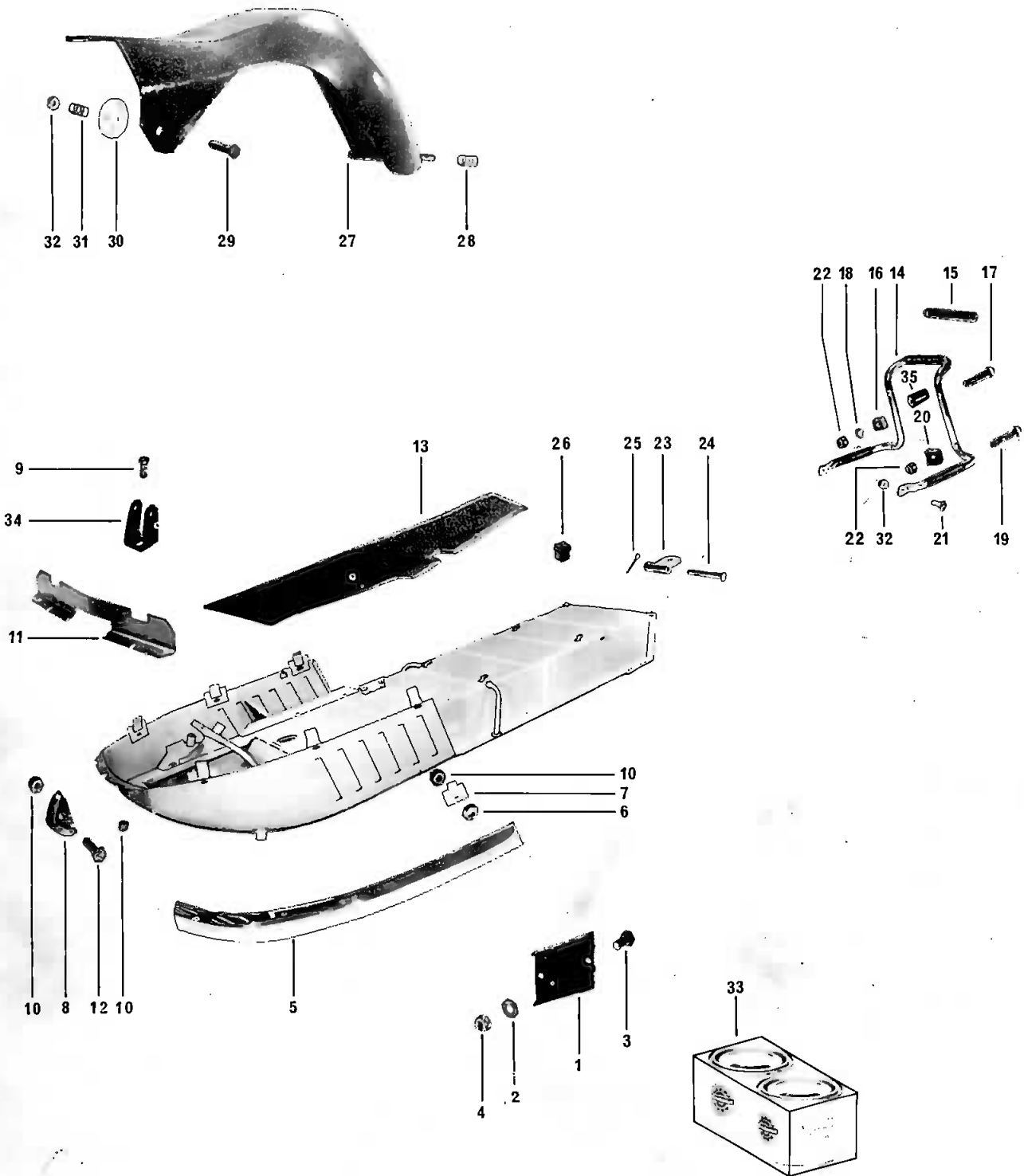
FRAME (OLYMPIC)



FRAME (OLYMPIC)

ITEM NO.	PART NO.	DESCRIPTION	QUANTITY									
			12 3	335	335E	399	TNT 292	TNT 340	TNT 292S	TNT 340S		
1	414 0159	Body Moulding	1									
2	390 9013	Rivet	22									
3	321 7133	Screw	2									
4	399 9007	Washer	2	8	8	8	8	8	8	8	8	8
5	517 0088	Spacer	2	2	2	2	2	2	2	2	2	2
6	517 0152	Spacer		6	6	6	6	6	6	6	6	6
7	517 0089	Cab Positioning Bracket.....	2	2	2	2	2	2	2	2	2	2
8	389 9011	Nut	2	8	8	8	8	8	8	8	8	8
9	518 0194	Latch Bracket	4	4	4	4	4	4	4	4	4	4
10	300 1000	Screw	4	4	4	4	4	4	4	4	4	4
11	399 9015	Washer	4	4	4	4	4	4	4	4	4	4
12	387 2019	Nut	4	4	4	4	4	4	4	4	4	4
13	570 1701	Front Bumper		1	1	1	1	1	1	1	1	1
14	517 0171	R.H. Side Bumper <u>517 0170</u>		1	1	1	1	1	1	1	1	1
14	517 0170	L.H. Side Bumper <u>517 0171</u>		1	1	1	1	1	1	1	1	1
15	570 1742	R.H. Foot Pad	1	1	1	1	1	1	1	1	1	1
15	570 1741	L.H. Foot Pad	1	1	1	1	1	1	1	1	1	1
16	517 0087	Hitch Plate	1	1	1	1	1	1	1	1	1	1
17	517 0097	Pin	1	1	1	1	1	1	1	1	1	1
18	371 8002	Cutter Pin	1	1	1	1	1	1	1	1	1	1
19	571 1770	Pulley Guard	1	1			1	1	1	1	1	1
19	571 1773	Pulley Guard			1							
19	571 1781	Pulley Guard				(1)						
20	414 0154	Spring	2	2	2	2	2	2	2	2	2	2
21	300 0004	Screw	1	1	1	1	1	1	1	1	1	1
22	517 0180	Retainer Washer	1	1	1	1	1	1	1	1	1	1
23	387 2019	Nut	1	1	1	1	1	1	1	1	1	1
24	408 7001	Drain Plug	1	1	1	1	1	1	1	1	1	1
25	580 2014	Rear Bumper		1	1	1						
25	580 0246	Rear Bumper					1	1	1	1	1	1
26	414 0016	Grip		3	3	3	3	3	3	3	3	3
27	570 1706	Skew Spacer	2	2	2	2						
28	391 0017	Washer	2	2	2	2						
29	570 1704	Rubber Spacer.....		4	4	4	2	2	2	2	2	2
30	320 1066	Screw	2									
30	327 3072	Screw		2	2	2						
31	387 3013	Nut	2	4	4	4	2	2	2	2	2	2
32	327 3070	Screw		2	2	2	2	2	2	2	2	2
33	330 5101	Screw		2	2	2						
34	387 2019	Nut		2	2	2						
35	517 0140	Cross Shaft					1	1	1	1	1	1
36	399 8001	Washer					2	2	2	2	2	2
37	300 1045	Screw					2	2	2	2	2	2
-	414 0066	Epoxy Glue	AR	AR	AR	AR	AR	AR	AR	AR	AR	AR
38	570 1728	End Cap					2	2	2	2	2	2

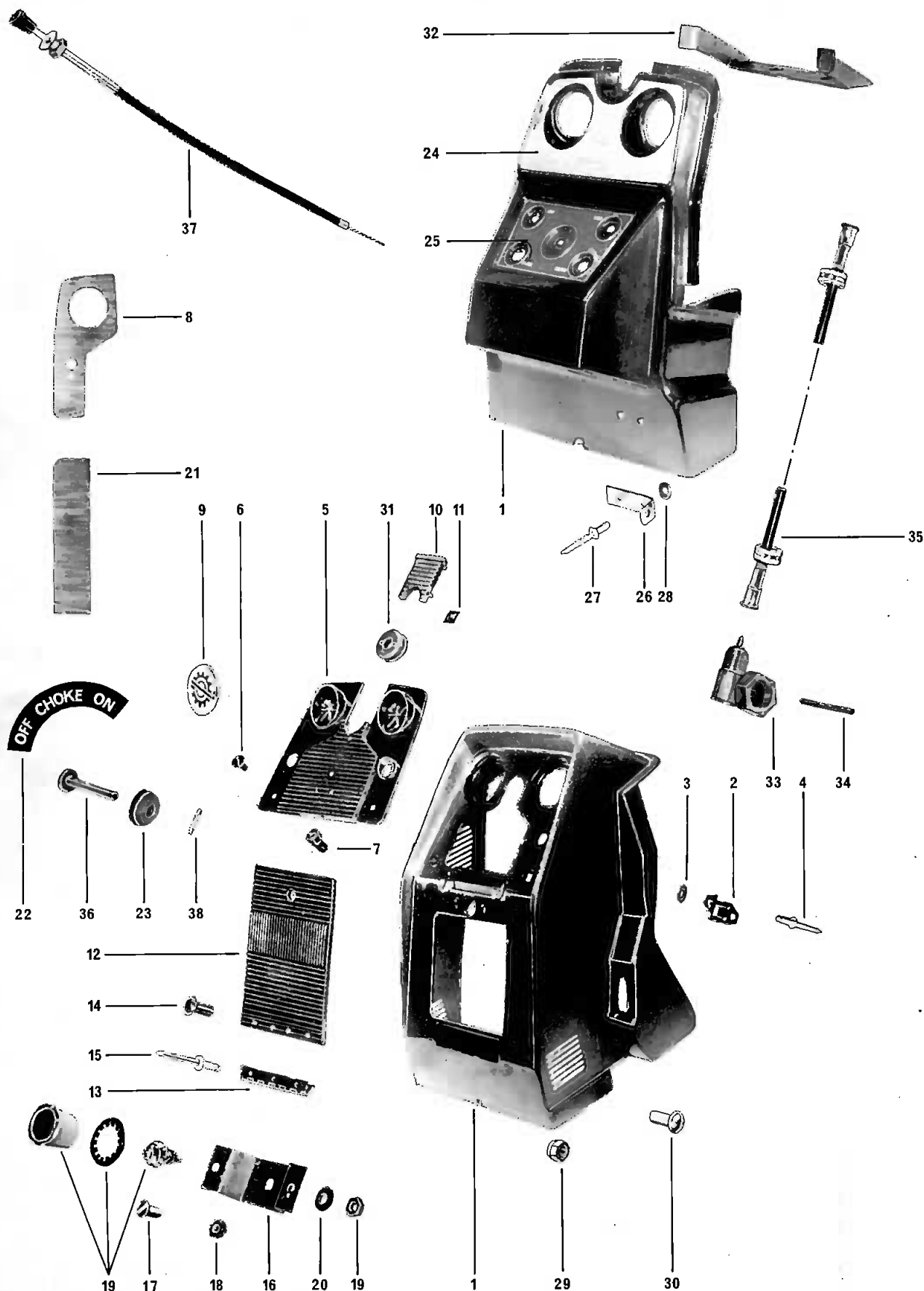
FRAME (NORDIC)



FRAME (NORDIC)

ITEM NO.	PART NO.	DESCRIPTION	QUANTITY						
			399	399F	640E	TNT 399	TNT 640	TNT 399S	TNT 640S
1	517 0117	L.H. Foot Rest	1	1		1		1	
1	517 0166	L.H. Foot Rest			1		1		1
2	399 9015	Washer	2	2	2	2	2	2	2
3	300 5001	Screw	2	2	2	2	2	2	2
4	386 9003	Nut	2	2	2	2	2	2	2
5	517 0119	R.H. Bumper	1	1	1	1	1	1	1
5	517 0120	L.H. Bumper	1	1	1	1	1	1	1
6	517 0152	Spacer	6	6	6	6	6	6	6
7	518 0103	Cabin Guide	6	6	6	6	6	6	6
8	570 1712	Front Bumper	1	1	1	1	1	1	1
9	300 5001	Screw	2	2	2	2	2	2	2
10	386 9003	Nut	9	9	9	9	9	9	9
11	517 0207	Snow Deflector	1	1	1	1	1	1	1
12	300 5003	Screw	1	1	1	1	1	1	1
13	570 1742	R.H. Foot Pad	1	1	1	1	1	1	1
13	570 1741	L.H. Foot Pad	1	1	1	1	1	1	1
14	580 0107	Rear Bumper	1	1	1				
14	580 0244	Rear Bumper				1	1	1	1
15	414 0191	Grip	1	1	1	1	1	1	1
15	414 0016	Grip	2	2	2	2	2	2	2
16	570 1706	Skew Spacer	2	2	2				
17	327 3072	Screw	2	2	2	2	2	2	2
18	399 9023	Washer	2	2	2				
19	327 3070	Screw	2	2	2				
20	570 1704	Rubber Spacer	2	2	2	2	2	2	2
21	330 5101	Screw	2	2	2	2	2	2	2
22	387 3013	Nut	4	4	4	2	2	2	2
23	517 0087	Hitch Plate	1	1	1	1	1	1	1
24	517 0097	Pin	1	1	1	1	1	1	1
25	371 8002	Cutter Pin	1	1	1	1	1	1	1
26	570 1728	End Cap	2	2	2	2	2	2	2
27	571 1770	Pulley Guard <i>Use 572 1722</i>	1	1		1		1	
27	571 1781	Pulley Guard			1		1		1
28	414 0154	Spring	1	1	1	1	1	1	1
29	300 0004	Screw	1	1	1	1	1	1	1
30	517 0180	Retainer Washer	1	1	1	1	1	1	1
31	414 0154	Spring	1	1	1	1	1	1	1
32	387 2019	Nut	3	3	3	3	3	3	3
33	413 9001	Expoxy Glue <i>414 0066</i>	AR	AR	AR	AR	AR	AR	AR
34	517 0208	Hinge Bracket	2	2	2	2	2	2	2
35	570 1745	Rubber Spacer	2	2	2				

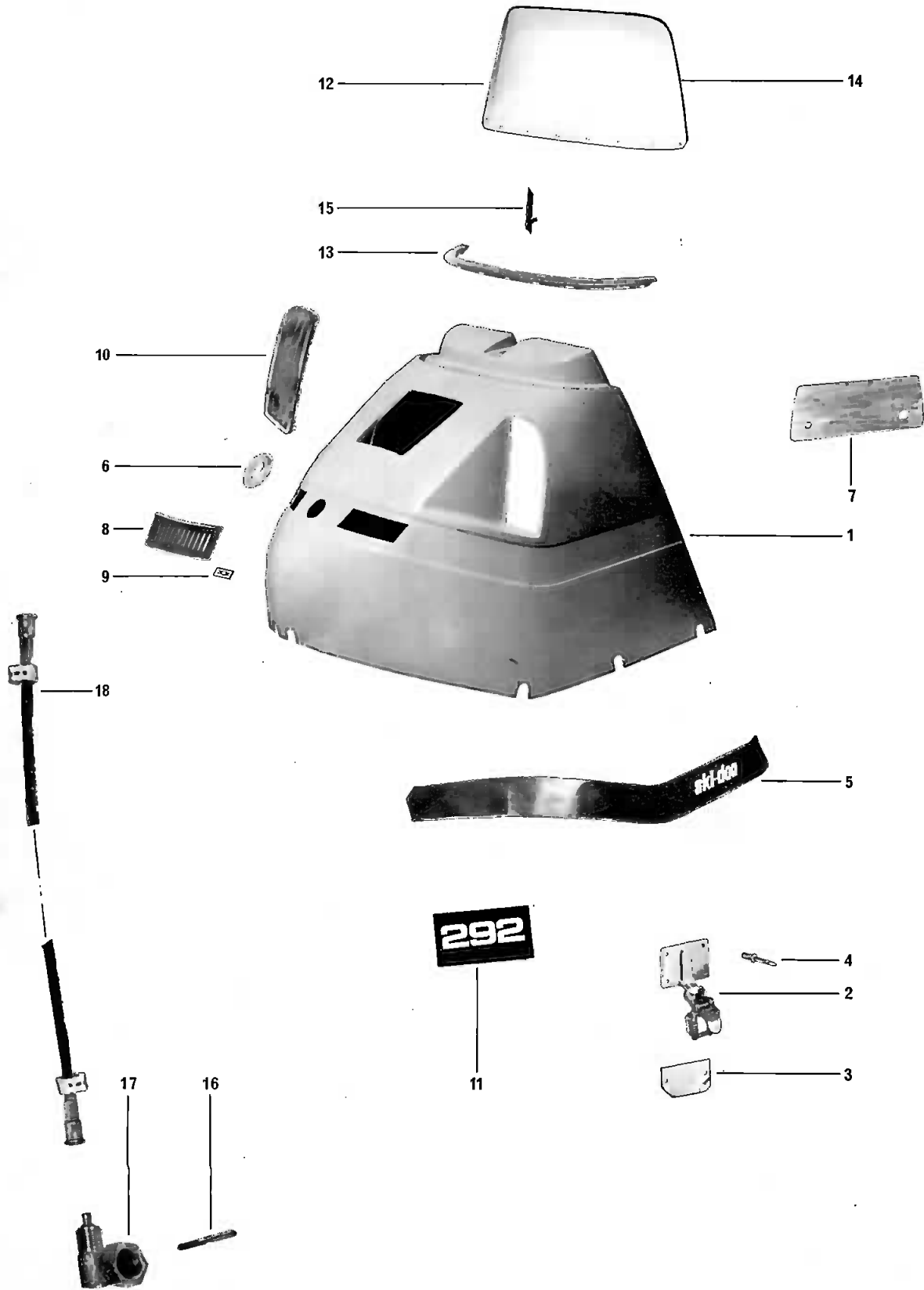
BODY (NORDIC)



BODY (NORDIC)

ITEM NO.	PART NO.	DESCRIPTION	QUANTITY							
			399	399E	640E	TNT 399	TNT 640	TNT 399S	TNT 640S	
1	571 1769	Console	1							
1	571 1771	Console		1						
1	571 1788	Console			1					
2	414 0217	Anchor Clip	2	2						
3	399 9013	Washer	4	4						
4	390 4001	Pop Rivet	4	4						
5	571 1728	Upper Access Cover	1	1						
6	355 0011	Screw	2	2						
7	414 0213	Anchor Stud	2	2						
8	414 0388	L.H. Dash Panel	1	1						
8	414 0389	R.H. Dash Panel	1							
8	414 0409	R.H. Dash Panel		1						
9	414 0411	Bombardier Crest	1	1	1					
10	571 1729	Upper Cover Insert	1	1						
11	389 8027	Nut	4	4						
12	571 1730	Lower Access Cover	1	1						
13	517 0125	Hinge	1	1						
14	390 2003	Rivet	4	4						
15	390 4013	Pop Rivet	3	3						
16	517 0126	Bracket	1	1						
17	323 3061	Screw	2	2						
18	387 3013	Nut	2	2						
19	414 0199	Push Button	1	1						
20	391 0017	Washer	1	1						
21	414 0393	L.H. Console Panel	1							
21	414 0410	L.H. Console Panel		1						
21	414 0394	R.H. Console Panel	1	1						
22	414 0437	Choke Label	1	1						
23	414 0485	Grommet	1	1						
24	414 0454	Dash Panel			1					
25	414 0496	Instrument Panel			1					
26	517 0209	Hinge Bracket			2					
27	390 4013	Pop Rivet			4					
28	399 9001	Washer			4					
29	386 6019	Nut	4	4	2					
30	320 9102	Screw	4	4						
30	300 1000	Screw			2					
31	570 1713	Console Grommet	1	1	1					
32	517 0213	Console Support			1					
33	414 0195	Angle Drive			1	1	1	1		
34	414 0384	Coupling Cable			1	1	1	1		
35	414 0196	Drive Cable w/Housing			1					
35	414 0362	Drive Cable w/Housing				1	1	1		1
36	414 0396	Choke Knob	1	1						
37	414 0503	Choke Control			1					
38	371 0001	Cutter Pin	1	1						

BODY (CAB OLYMPIC)



BODY (CAB OLYMPIC)

ITEM NO.	PART NO.	DESCRIPTION	QUANTITY							
			12 3	335	335E	399	TNT 292	TNT 340	TNT 292S	TNT 340S
1	571 1767	Cab	1				1		1	
1	571 1774	Cab		1		1				
1	571 1775	Cab			1			1		1
2	414 0309	Cabin Latch	4	4	4	4	4	4	4	4
3	517 0176	Guide Bracket	4	4	4	4	4	4	4	4
4	390 4019	Rivet	24	24	24	24	24	24	24	24
5	414 0398	R.H. Stripe	1	1	1	1	1	1	1	1
5	414 0399	L.H. Stripe	1	1	1	1	1	1	1	1
6	570 1719	Filler Pipe Grommet	1	1	1	1	1	1	1	1
7	414 0400	R.H. Dash Panel	1	1		1				
7	414 0407	R.H. Dash Panel			1					
7	414 0406	R.H. Dash Panel					1	1	1	1
7	414 0401	L.H. Dash Panel	1	1	1	1				
7	414 0408	L.H. Dash Panel					1	1	1	1
8	414 0232	R.H. Louvre	1	1	1	1	1	1	1	1
8	414 0233	L.H. Louvre	1	1	1	1	1	1	1	1
9	389 8019	Nut	8	8	8	8	8	8	8	8
10	414 0404	R.H. Deflector		1	1	1		1		1
10	414 0405	L.H. Deflector		1	1	1		1		1
11	414 0450	Identification Label					2		2	
11	414 0449	Identification Label						2		2
12	414 0484	Windshield	1	1	1	1	1	1	1	1
13	570 1716	Windshield Anchor Strip	1	1	1	1	1	1	1	1
14	517 0199	Windshield Protector 414.0480	1	1	1	1	1	1	1	1
15	517 0142	Windshield Anchor Tab	9	9	9	9	9	9	9	9
16	414 0384	Coupling Cable					1	1	1	1
17	414 0195	Angle Drive					1	1	1	1
18	414 0196	Drive Cable & Housing					1	1	1	1

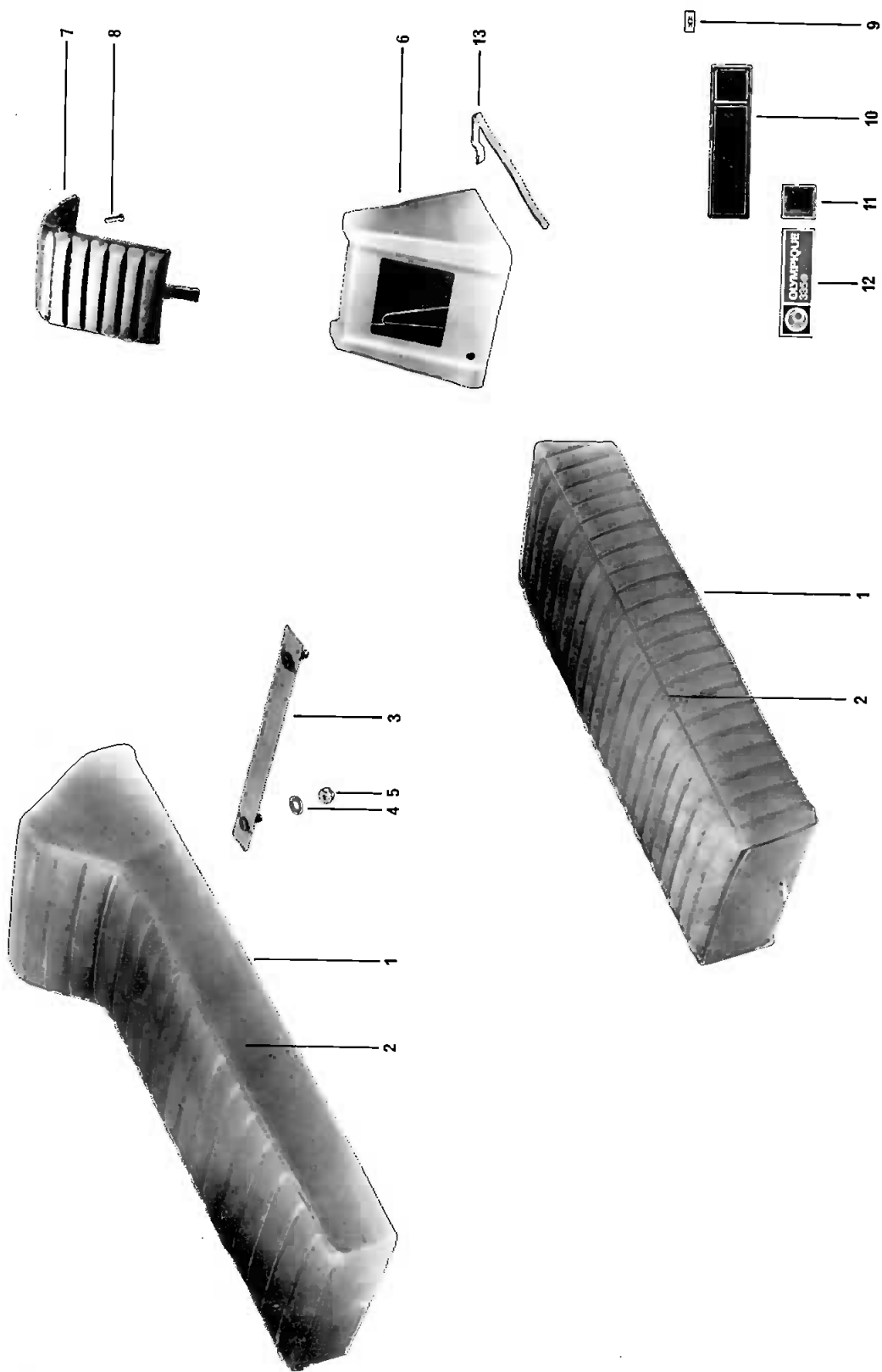
BODY (NORDIC)



BODY (NORDIC)

ITEM NO.	PART NO.	DESCRIPTION	QUANTITY							
			399	399E	640E	TNT 399	TNT 640	TNT 399S	TNT 640S	
1	572 1701	Cab (Plastic)	1	1						
1	571 1779	Cab			1					
1	571 1778	Cab				1	1	1	1	
2	517 0201	Cabin Stripe	2	2	2					
3	572 1702	Filler Door	1	1						
3	571 1737	Filler Door			1					
3	561 7013	Filler Door				1	1	1	1	
4	414 0456	Identification Crest					1			1
4	414 0455	Identification Crest				1				1
5	389 8019	Speed Nut				2	2	2	2	2
6	513 0039	Hinge Bracket			1	1	1	1	1	1
7	513 0040	Spring Plate			1	1	1	1	1	1
8	582 0103	Hinge w/pin			1	1	1	1	1	1
9	320 1062	Screw	2	2	2	2	2	2	2	2
10	386 6013	Nut	2	2	2	2	2	2	2	2
10	387 3013	Nut			2	2	2	2	2	2
11	389 8030	Speed Nut			4	4	4	4	4	4
12	414 0459	Spring	1	1						
13	570 1714	Door Stop	2	2	2	2	2	2	2	2
14	517 0208	Hinge Bracket	2	2	2	2	2	2	2	2
15	386 9003	Nut	2	2	2	2	2	2	2	2
16	300 5001	Screw	2	2	2	2	2	2	2	2
17	517 0220	Cabin Hinge L.H.			1	1	1	1	1	1
17	517 0221	Cabin Hinge R.H.			1	1	1	1	1	1
18	570 1711	Insulator Rubber			4	4	4	4	4	4
19	399 9008	Washer			4	4	4	4	4	4
20	387 5019	Nut			4	4	4	4	4	4
21	517 0122	Hinge Pin	2	2						
21	517 0222	Hinge Pin			2	2	2	2	2	2
22	570 1750	Grommet	2	2						
22	414 0512	Grommet w/Groove	2	2						
23	414 0189	Retainer Clip	2	2	2	2	2	2	2	2
24	517 0137	Cabin Holder	1	1	1	1	1	1	1	1
25	320 1062	Screw	1	1	1	1	1	1	1	1
26	386 6013	Nut	1	1	1	1	1	1	1	1
27	414 0212	Name Plate	2	2	2					
27	414 0466	Name Plate				2	2	2	2	2
28	389 8019	Speed Nut	6	6	6	6	6	6	6	6
29	414 0309	Cabin Latch	2	2	2	2	2	2	2	2
30	390 4019	Pop Rivet	8	8	8	8	8	8	8	8
31	414 0404	R.H. deflector	1	1	1	1	1	1	1	1
31	414 0405	L.H. Deflector	1	1	1	1	1	1	1	1
32	414 0390	L.H. Dash Pad	1	1	1					
32	414 0391	R.H. Dash Pad	1	1	1					
33	414 0445	L.H. Side Scoop Decal	1	1	1					
33	414 0446	R.H. Side Scoop Decal	1	1	1					
34	414 0443	L.H. Bottom Scoop Decal	1	1	1					
34	414 0444	R.H. Bottom Scoop Decal	1	1	1					
35	414 0211	Contour CAB Moulding Mult 12"				AR				
36	517 0135	L.H. Lower Grille			1					
36	517 0136	R.H. Lower Grille			1					
37	390 4019	Pop Rivet			20					
38	414 0474	R.H. Side Inlay				1	1	1	1	1
38	414 0475	L.H. Side Inlay				1	1	1	1	1
39	414 0483	Windshield	1	1	1					
39	414 0306	Windshield				1	1	1	1	1
40	570 1715	Windshield Anchor Strip	1	1	1					
40	570 1734	Windshield Anchor Strip				1	1	1	1	1
41	517 0142	Windshield Anchor Tab	9	9	9	9	9	9	9	9
42	414 0480	Windshield Protector	1	1	1	1	1	1	1	1

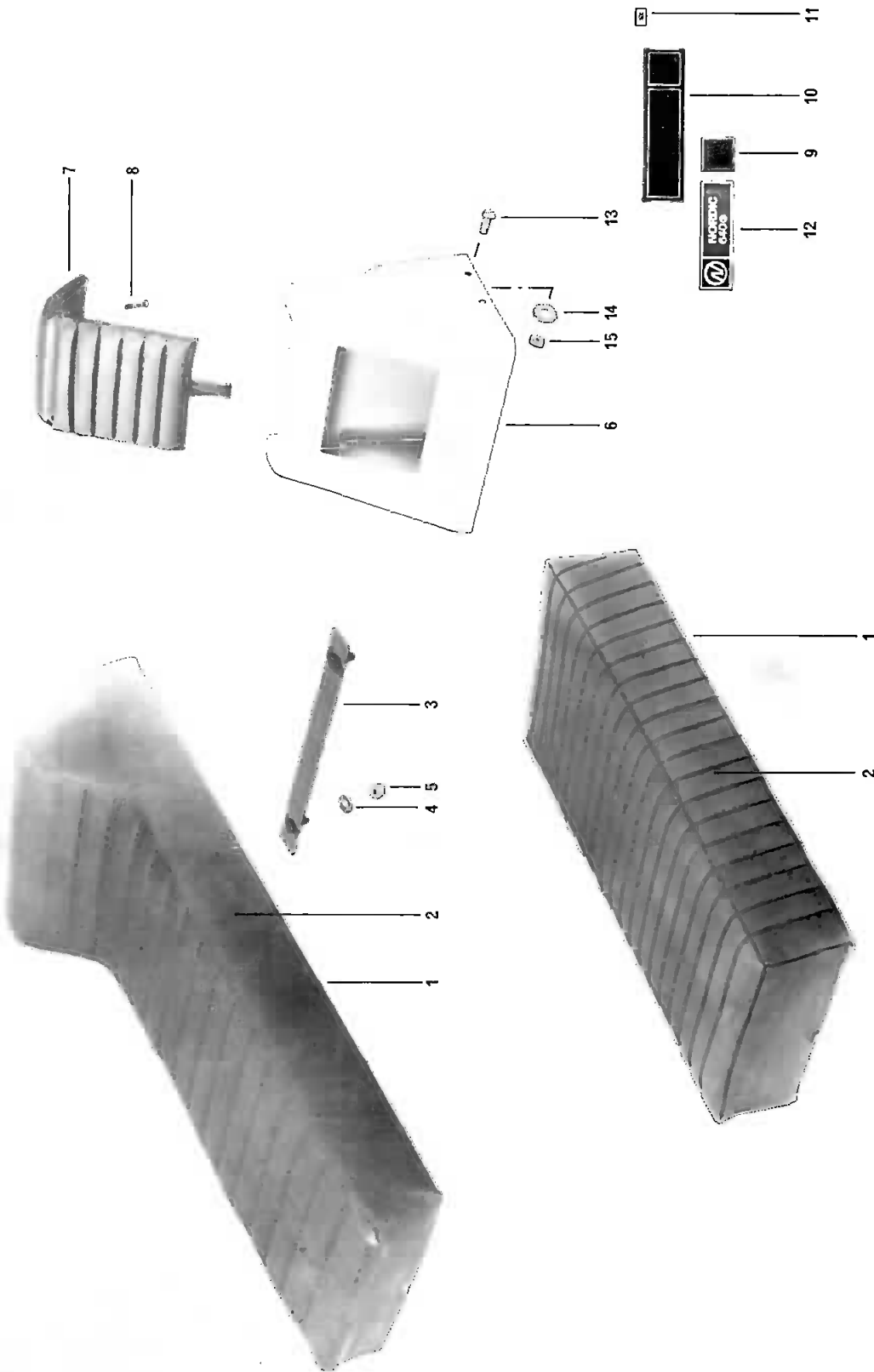
BODY (OLYMPIC)



BODY (OLYMPIC)

ITEM NO.	PART NO.	DESCRIPTION	QUANTITY									
			12 3	335	335E	399	TNT 292	TNT 340	TNT 292S	TNT 340S		
1	580 1077	Seat w/leatherette.....	1									
1	580 1086	Seat w/leatherette		1		1						
1	580 1091	Seat w/leatherette			1							
1	580 0232	Seat w/leatherette					1	1	1	1		
-	414 0438	Foam (seat)	1	1	1	1	1	1	1	1	1	
2	414 0387	Leatherette	1									
2	414 0413	Leatherette		1		1						
2	414 0414	Leatherette			1							
2	414 0453	Leatherette					1	1	1	1	1	
3	517 0164	Stud Plate					1	1	1	1	1	
4	399 9015	Washer					2	2	2	2	2	
5	386 9003	Nut					2	2	2	2	2	
6	571 1777	Backrest Housing	1	1	1	1						
7	414 0417	Covering	1									
7	414 0418	Covering		1	1	1						
8	321 6043	Screw	2	2	2	2						
9	389 8019	Nut	6	6	6	6						
10	414 0412	Reflector Plate	2	2	2	2						
11	414 0435	Reflector	2	2	2	2						
12	414 0423	Identification Label	2									
12	414 0425	Identification Label		2								
12	414 0426	Identification Label			2							
12	414 0428	Identification Label				2						
13	414 0164	Backrest Strip	1	1	1	1						

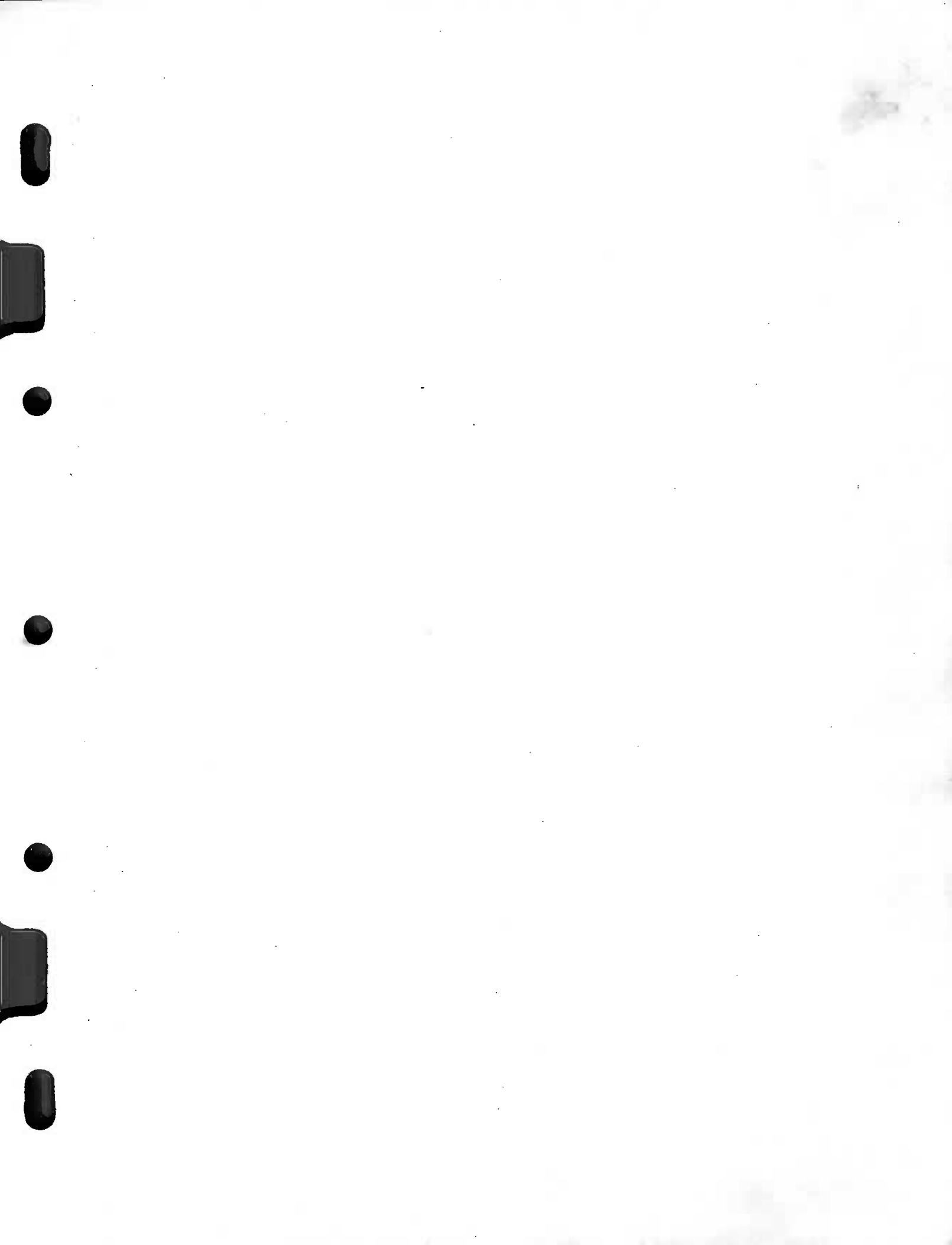
BODY (NORDIC)



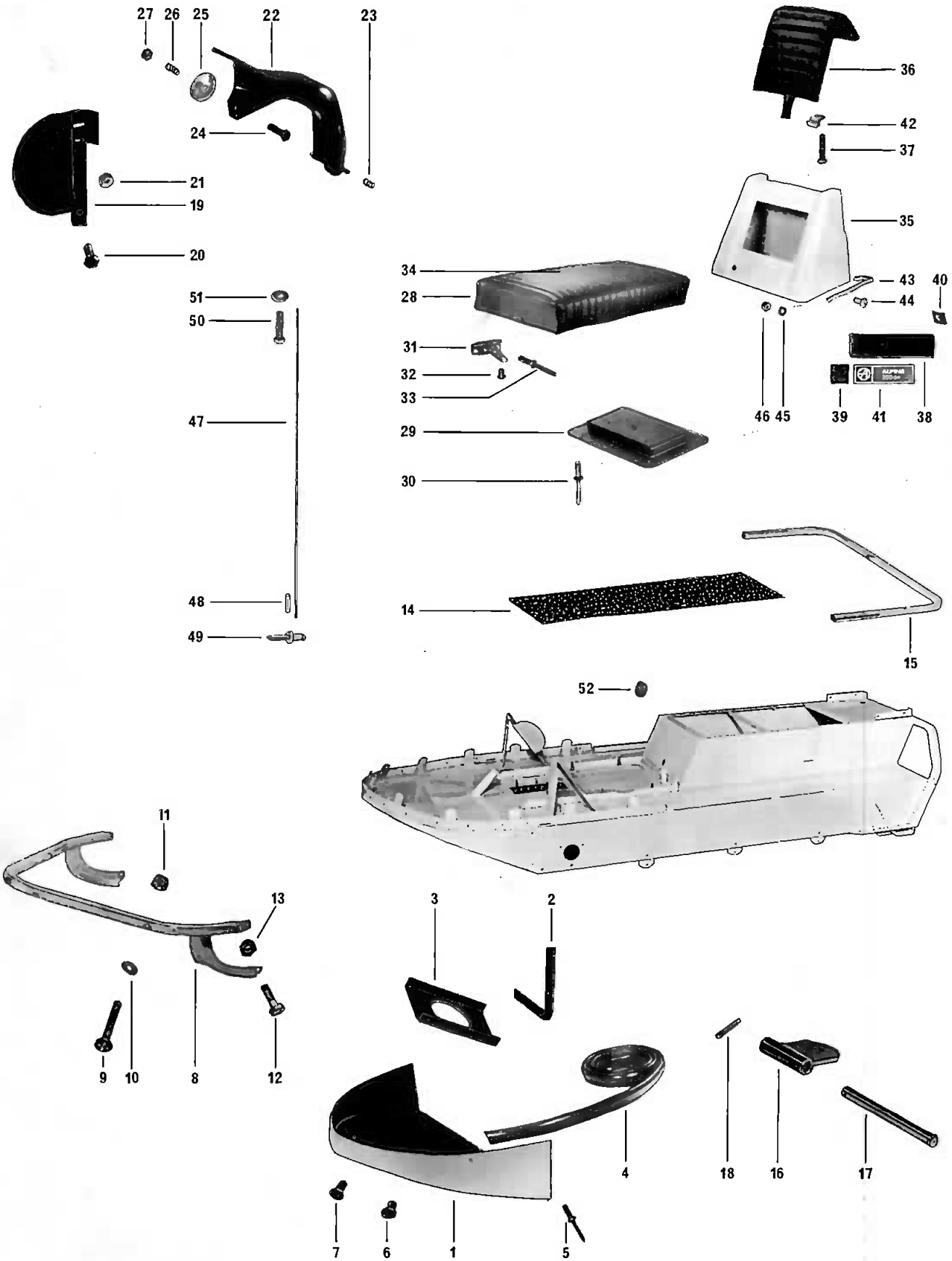
BODY (NORDIC)

ITEM NO.	PART NO.	DESCRIPTION	QUANTITY						
			399	399E	640E	TNT 399	TNT 640	TNT 399S	TNT 640S
1	580 0139	Seat w/leatherette	1						
1	580 0143	Seat w/leatherette, current wire		1	1				
1	580 0226	Seat w/leatherette				1	1	1	1
2	414 0392	Leatherette	1	1	1				
2	414 0440	Leatherette				1	1	1	1
-	414 0439	Foam (seat)	1	1	1	1	1	1	1
3	517 0164	Stud Plate				1	1	1	1
4	399 9015	Washer				2	2	2	2
5	386 9003	Nut				2	2	2	2
6	571 1776	Backrest Housing	1	1	1				
7	414 0395	Covering	1	1	1				
8	321 6045	Screw	2	2	2				
9	414 0435	Reflector	2	2	2				
10	414 0412	Reflector Plate	2	2	2				
11	389 8019	Speed Nut	6	6	6				
12	414 0429	Identification Label	2						
12	414 0430	Identification Label		2					
12	414 0431	Identification Label			2				
13	320 9102	Screw	6	6	6				
14	399 9015	Washer	6	6	6				
15	387 2019	Nut	6	6	6				





BODY (ALPINE)

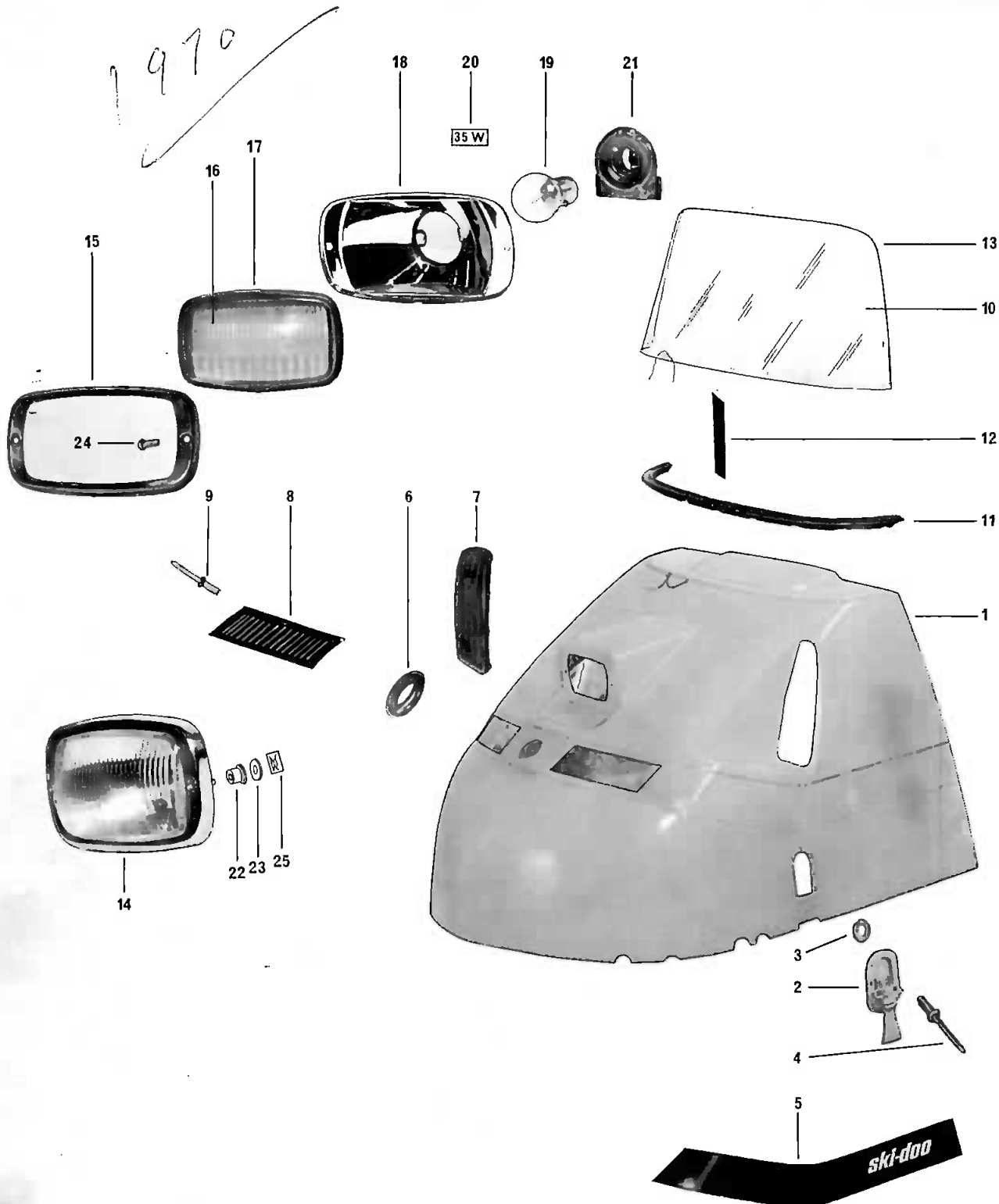


BODY (ALPINE)

ITEM NO.	PART NO.	DESCRIPTION	QUANTITY		
			399	399E	640E
1	571 1762	Front Bottom Plate	1	1	1
2	414 0188	Plastic Sealer (Mult 12'')	1	1	1
3	517 0054	Plate Seal	1	1	1
4	414 0038	Body Moulding	1	1	1
5	390 4004	Pop Rivet	14	14	14
6	390 2002	Tubular Rivet	4	4	4
7	390 2001	Tubular Rivet	8	8	8
8	517 0161	Ski Holder	1	1	1
9	327 5106	Mach. Screw	4	4	4
10	399 9015	Washer	4	4	4
11	386 6019	Nut	4	4	4
12	300 3041	Cap Screw	2	2	2
13	389 8037	Nut	2	2	2
14	407 9001	Foot Pad	2	2	2
15	518 0213	Jack	1	1	1
16	517 0087	Hitch Plate	1	1	1
17	517 0097	Pin	1	1	1
18	371 8002	Cotter Pin	1	1	1
19	517 0185	Pulley Guard Holder	1	1	1
20	300 0004	Cap Screw	1	1	1
21	386 6019	Nut	1	1	1
22	571 1781	Pulley Guard	1	1	1
23	414 0154	Spring	1	1	1
24	300 0004	Screw	1	1	1
25	517 0180	Retainer Washer	1	1	1
26	414 0154	Spring	1	1	1
27	387 2019	Nut	1	1	1
28	580 3041	Seat	1	1	1
29	571 1724	Offset Cover	1	1	1
30	390 4012	Pop Rivet	6	6	6
31	414 0151	Hinge	2	2	2
32	324 1060	Screw	6	6	6
33	390 4011	Pop Rivet	6	6	6
34	414 0422	Leatherette	1	1	1
	414 0438	Foam	1	1	1
35	571 1786	Backrest Housing	1	1	1
36	414 0418	Covering	1	1	1
37	321 6046	Screw	2	2	2
38	414 0412	Reflector Plate	2	2	2
39	414 0435	Reflector	2	2	2
40	389 8019	Speed Nut	6	6	6
41	414 0432	Identification Label	2		
41	414 0433	Identification Label		2	
41	414 0434	Identification Label			2
42	517 0096	Clip	1	1	1
43	414 0164	Backrest Strip	1	1	1
44	320 9102	Machine Screw	6	6	6
45	399 9015	Washer	6	6	6
46	387 2019	Nut	6	6	6
47	414 0385	Seat Cable (Mult 12'')	AR	AR	AR
48	409 0012	Parallele Connector	2	2	2
49	390 4013	Pop Rivet	1	1	1
50	320 1061	Mach. Screw	1	1	1
51	391 0017	Washer	1	1	1
52	670 1701	Grommet	2	2	2

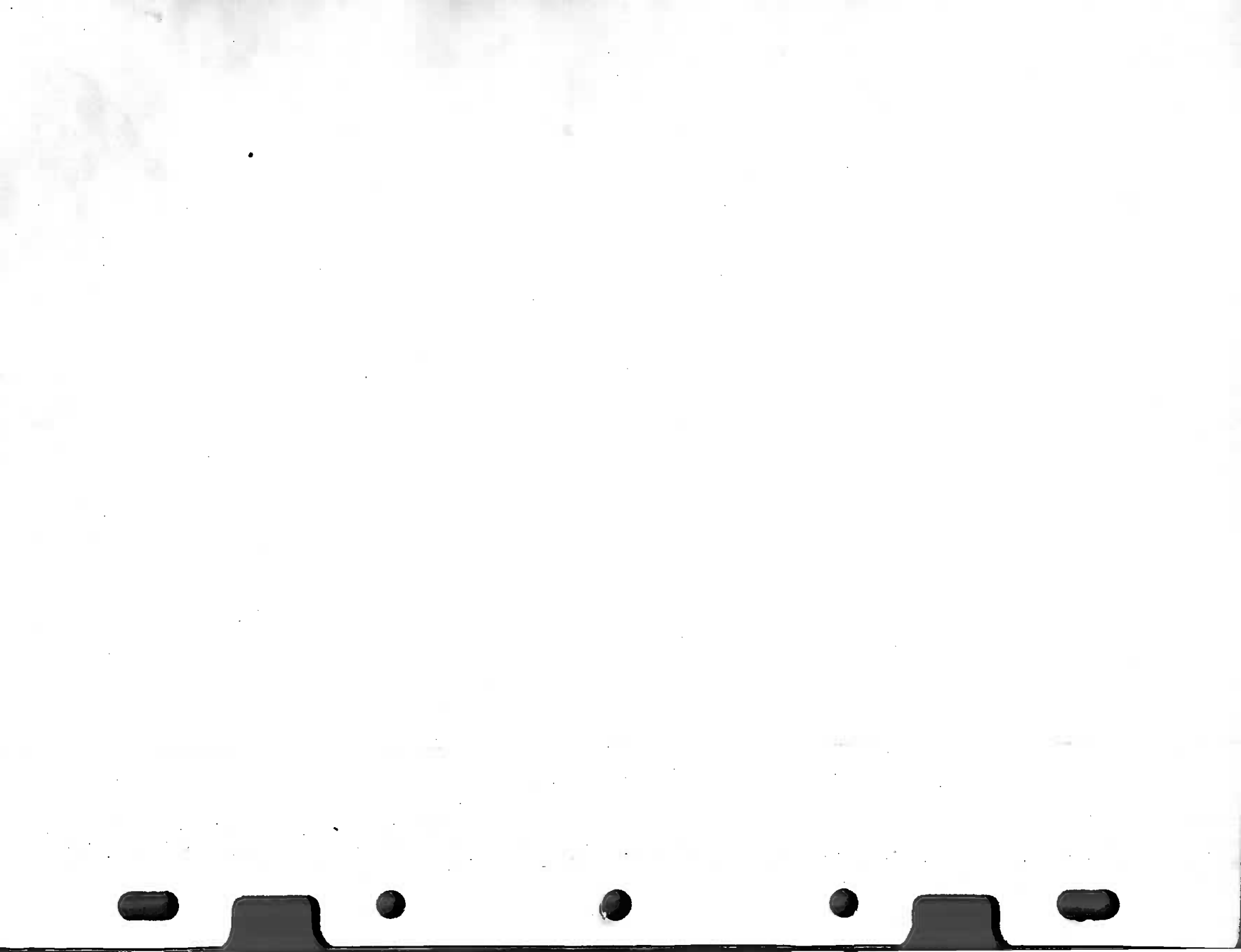
CABIN (ALPINE)

970



CABIN (ALPINE)

ITEM NO.	PART NO.	DESCRIPTION	QUANTITY		
			399	399E	640E
1	571 1772	Cab	1	1	1
2	414 0062	Hood Catch	2	2	2
3	399 9003	Washer	14	14	14
4	390 4014	Pop Rivet	14	14	14
5	414 0259	R. H. Stripe	1	1	1
5	414 0260	L. H. Stripe	1	1	1
6	570 1719	Filler Pipe Grommet	1	1	1
7	414 0404	R. H. Deflector	1	1	1
7	414 0405	L. H. Deflector	1	1	1
8	414 0283	R. H. Louvre	1	1	1
8	414 0284	L. H. Louvre	1	1	1
9	390 4007	Pop Rivet	12	12	12
10	414 0472	Windshield	1	1	1
11	570 1720	Windshield Anchor Strip	1	1	1
12	517 0142	Windshield Anchor Tab	9	9	9
13	414 0480	Windshield Protector (Mult 12'')	AR	AR	AR
14	410 6010	Projector	1	1	1
15	410 6012	Chromed Ring	1	1	1
16	410 6014	Glass	1	1	1
17	410 6013	Rubber Ring	1	1	1
18	C. S. A.	Reflector	1	1	1
19	410 5011	Bulb 60W	1		
19	410 5009	Bulb 35W		1	1
20	414 0476	Label 60W	1		
20	414 0280	Label 35W		1	1
21	410 6015	Socket	1	1	1
22	C. S. A.	Blank	2	2	2
23	C. S. A.	Washer	2	2	2
24	410 6011	Screw	2	2	2
25	389 8010	Speed Nut	2	2	2

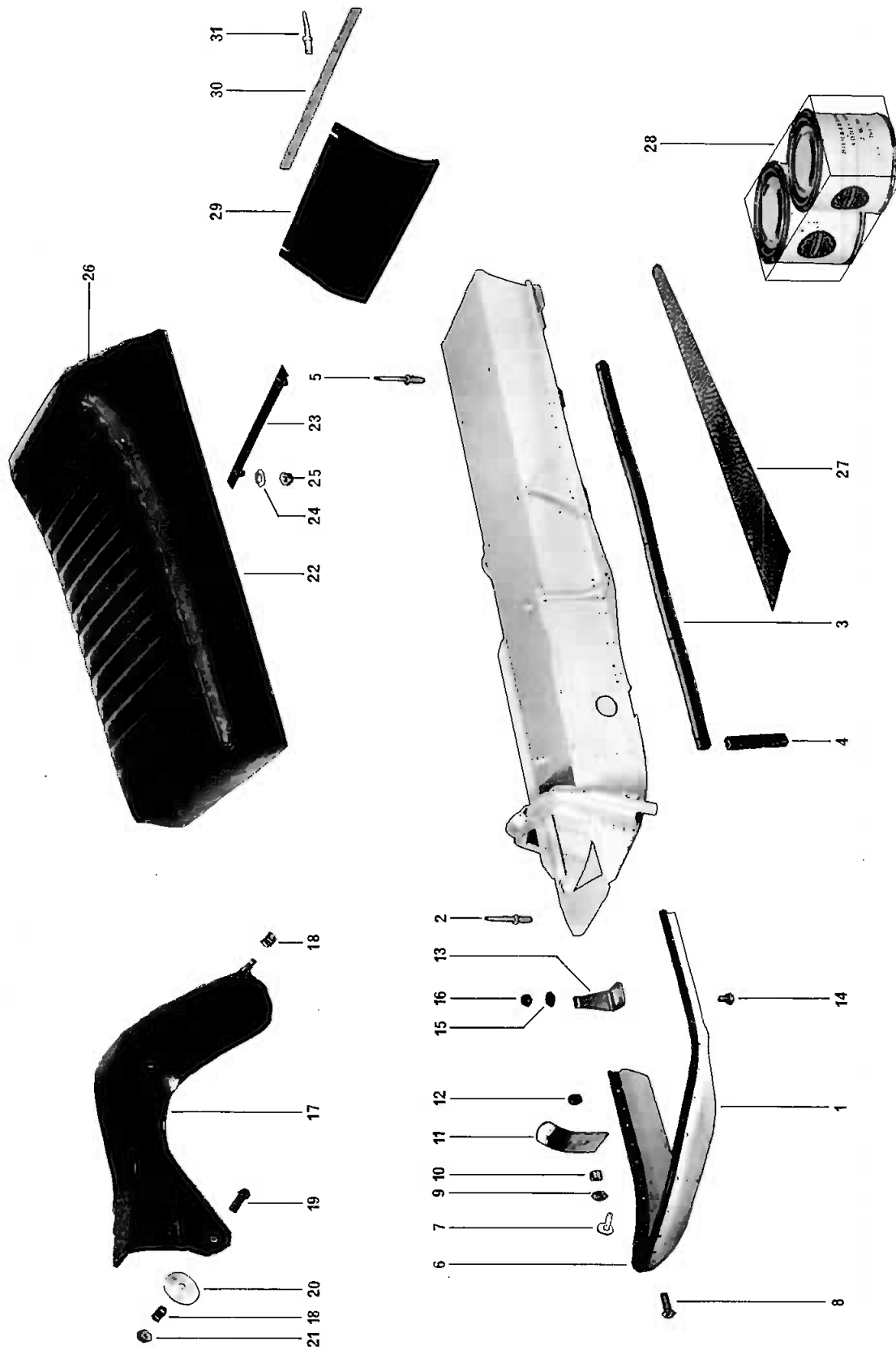


TNT 775s

1970

REFER TO TNT 640s
EXCEPT: SECTION 4 PAGE 11 #4
WHICH IS 414-0538

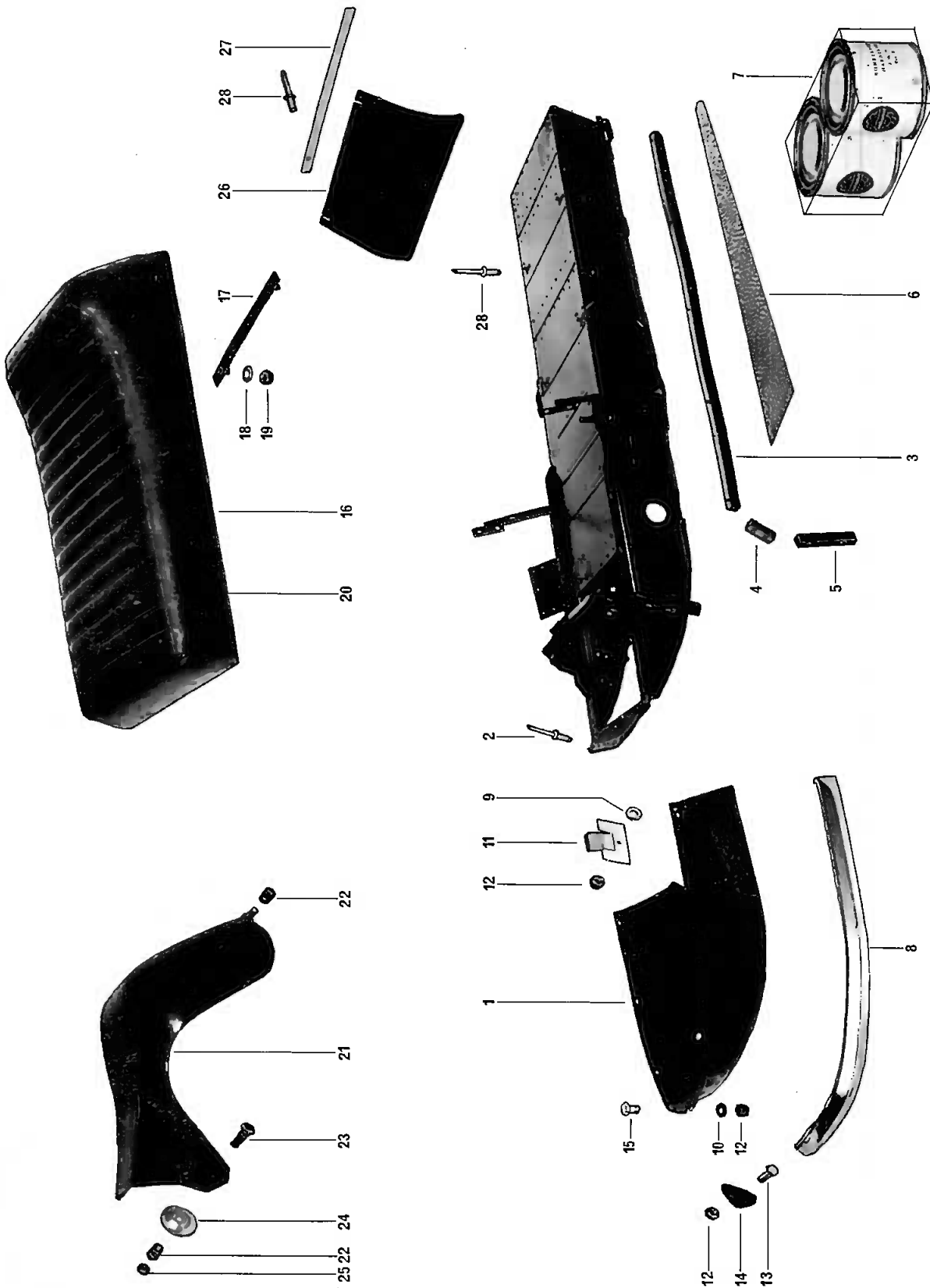
BLIZZARD FRAME



BLIZZARD FRAME

ITEM NO.	PART NO.	DESCRIPTION	QUANTITY	
			292	340
1	414 0541	Bottom Plate	1	1
2	390 4022	Rivet	AR	AR
3	414 0542	Frame Protector	2	2
4	414 0543	Bottom Plate Protector	2	2
5	390 9015	Rivet	16	16
6	414 0569	Body Moulding	1	1
7	390 2001	Rivet	22	22
8	321 7133	Screw	2	2
9	399 9007	Washer	2	2
10	517 0088	Spacer	2	2
11	517 0089	Cab Positioning Bracket	2	2
12	389 9011	Nut	2	2
13	518 0194	Latch Bracket	4	4
14	300 1000	Screw	4	4
15	399 9015	Washer	4	4
16	387 2019	Nut	4	4
17	561 7026	Pulley Guard	1	1
18	414 0154	Spring	2	2
19	300 0004	Screw	1	1
20	517 0180	Retainer Washer	1	1
21	387 2019	Nut	1	1
22	414 0551	Seat	1	1
23	517 0164	Stud Plate	1	1
24	399 9015	Washer	2	2
25	386 9003	Nut	2	2
	414 0547	Foam	1	1
26	414 0546	Leatherette	1	1
27	517 0224	Foot Pad	2	2
28	414 0066	Epoxy Glue	AR	AR
29	570 1747	Snow Guard	1	1
30	517 0229	Strip	1	1
31	390 4023	Pop Rivet	4	4
	414 0571	Identification Label	2	
	414 0572	Identification Label		2
	390 4013	Rivet	AR	AR

BLIZZARD FRAME



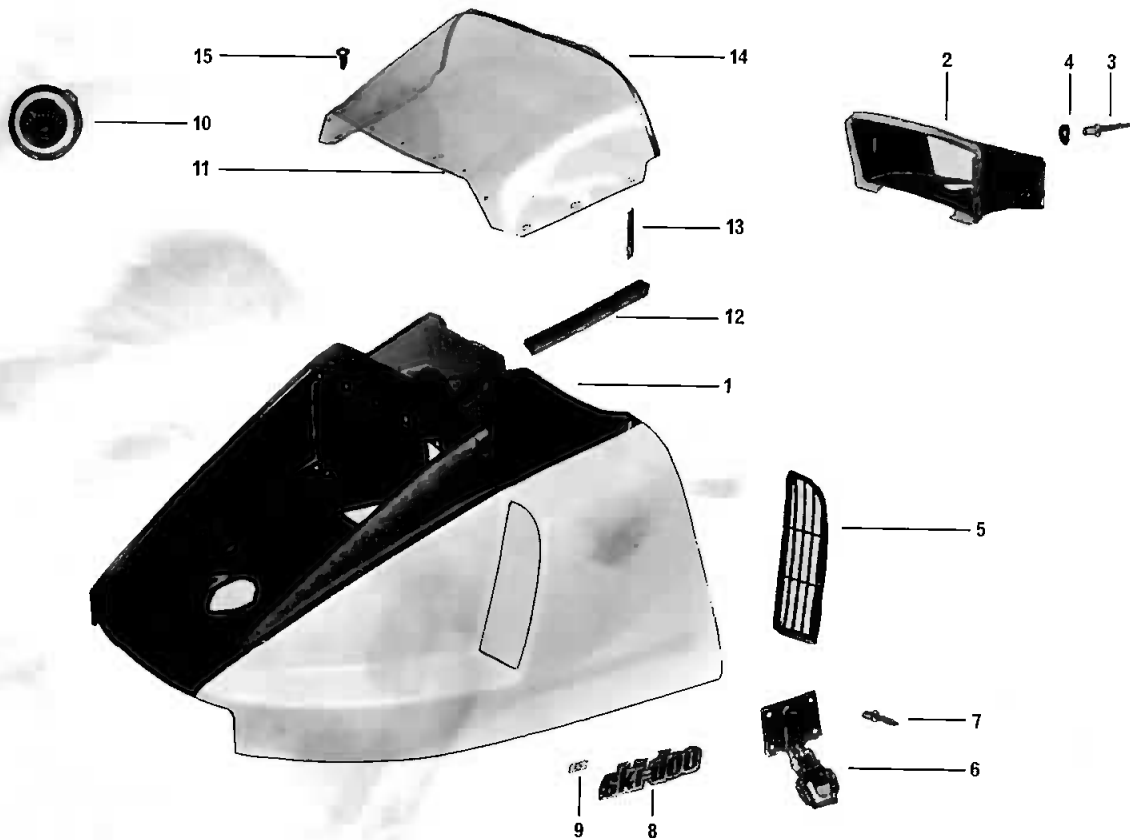
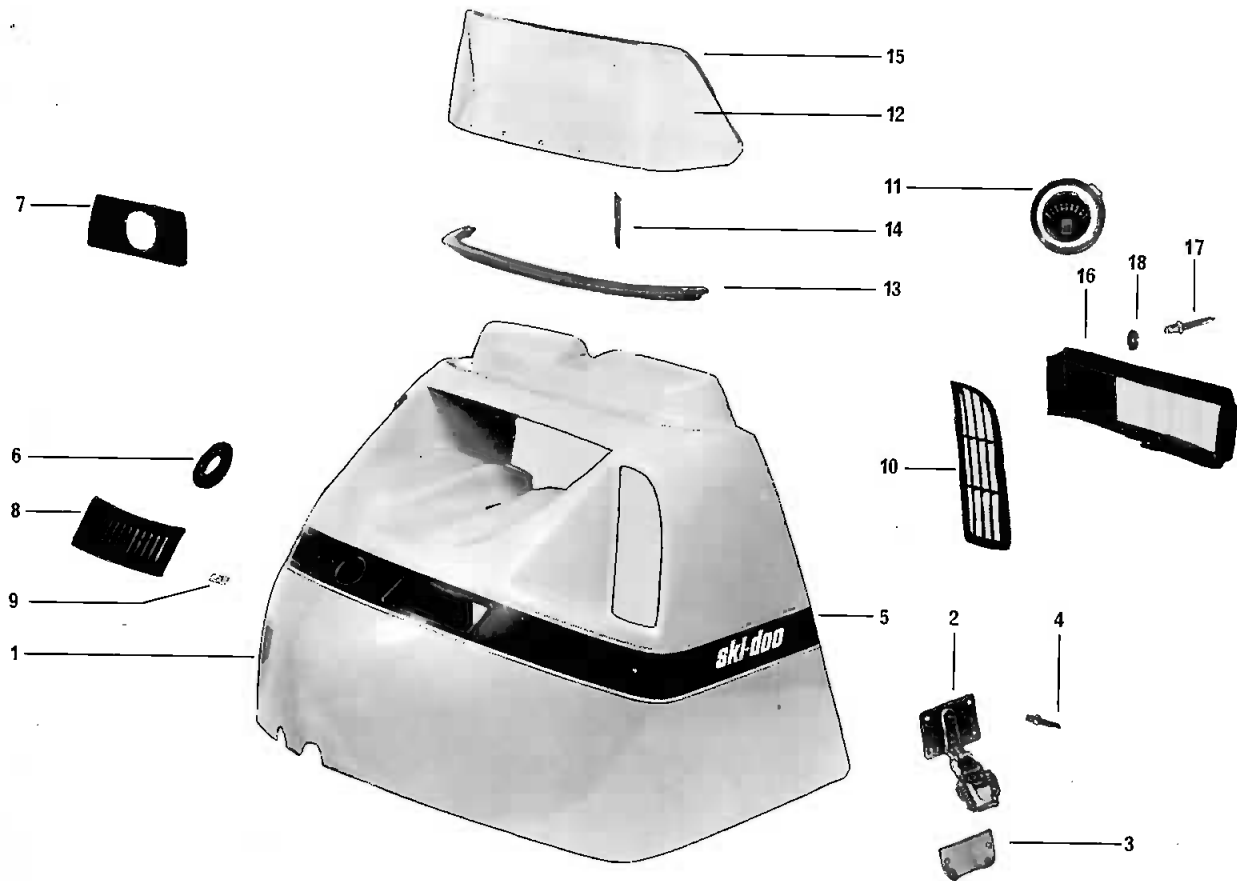
BOMBARDIER LTD./LTEE

Cat. No. 480 1014

BLIZZARD FRAME

ITEM NO.	PART NO.	DESCRIPTION	QUANTITY		
			436	636	776
1	414 0553	Bottom Plate	1	1	1
2	390 4022	Rivet	AR	AR	AR
3	414 0542	Frame Protector	2	2	2
4	414 0548	Bottom Plate Protector	2	2	2
5	414 0549	Bottom Plate Protector	2	2	2
6	517 0224	Foot Pad	2	2	2
7	414 0066	Epoxy Glue	AR	AR	AR
8	517 0119	R.H. Bumper	1	1	1
8	517 0120	L.H. Bumper	1	1	1
9	517 0152	Spacer	6	6	6
10	399 9008	Washer	8	8	8
11	518 0103	Cabin Guide	4	4	4
12	386 9003	Nut	9	9	9
13	300 5003	Screw	1	1	1
14	570 1712	Front Rubber Bumper	1	1	1
15	300 5001	Screw	2	2	2
16	414 0552	Seat	1	1	1
17	517 0164	Stud Plate	1	1	1
18	399 9015	Washer	2	2	2
19	386 9003	Nut	2	2	2
	414 0557	Foam	1	1	1
20	414 0558	Leatherette	1	1	1
21	572 1717	Pulley Guard	1	1	1
22	414 0154	Spring	2	2	2
23	300 0004	Screw	1	1	1
24	517 0180	Retainer Washer	1	1	1
25	387 2019	Nut	1	1	1
26	570 1746	Snow Guard	1	1	1
27	517 0228	Strip	1	1	1
28	390 4023	Rivet	4	4	4
	414 0565	Identification Label	2		
	414 0566	Identification Label		2	
	414 0567	Identification Label			2
	390 4013	Rivet	AR	AR	AR

BLIZZARD CAB



BLIZZARD CAB

ITEM NO.	PART NO.	DESCRIPTION	QUANTITY	
			292	340
1	571 1793	Cab	1	1
2	414 0309	Cabin Latch	4	4
3	517 0176	Guide Bracket	4	4
4	390 4019	Rivet	24	24
5	414 0398	R.H. Stripe	1	1
5	414 0399	L.H. Stripe	1	1
6	570 1719	Filler Pipe Grommet	1	1
7	414 0669	R.H. Dash Panel	1	1
7	414 0408	L.H. Dash Panel	1	1
8	414 0232	R.H. Louvre	1	1
8	414 0233	L.H. Louvre	1	1
9	389 8019	Speed Nut	8	8
10	414 0404	R.H. Deflector	1	1
10	414 0405	L.H. Deflector	1	1
11	414 0550	Tachometer	1	1
12	561 7016	Windshield	1	1
13	570 1716	Windshield Anchor Strip	1	1
14	517 0142	Windshield Anchor Tab	9	9
15	414 0480	Windshield Protector (Mult 12")	AR	AR
16	571 1601	Air Duct	1	1
17	390 4008	Pop Rivet	12	12
18	399 9003	Washer	12	12
19	414 0676	Stripe (Mult. 12")	AR	AR
	414 0677	Ski-Doo Label	1	1

ITEM NO.	PART NO.	DESCRIPTION	QUANTITY		
			436	636	776
1	571 1794	Cab	1	1	1
2	571 1795	Air Duct	1	1	1
3	390 4008	Rivet	16	16	16
4	399 9003	Washer	10	10	10
5	414 0404	R.H. Deflector	1	1	1
5	414 0405	L.H. Deflector	1	1	1
6	414 0309	Cabin Latch	4	4	4
7	390 4019	Pop Rivet	16	16	16
8	414 0466	Name Plate	2	2	2
9	389 8019	Speed Nut	6	6	6
10	414 0550	Tachometer	1	1	1
11	414 0568	Windshield	1	1	1
12	561 7014	Windshield Anchor Strip R.H.	1	1	1
12	561 7015	Windshield Anchor Strip L.H.	1	1	1
13	517 0142	Windshield Anchor Tab	6	6	6
14	414 0480	Windshield Protector (Mult 12")	AR	AR	AR
15	363 0073	Metal Screw	7	7	7
16	414 0676	Stripe (Mult 17")	AR	AR	AR
	414 0677	Ski-Doo Label	1	1	1

