

# TNT 775s

## 1970

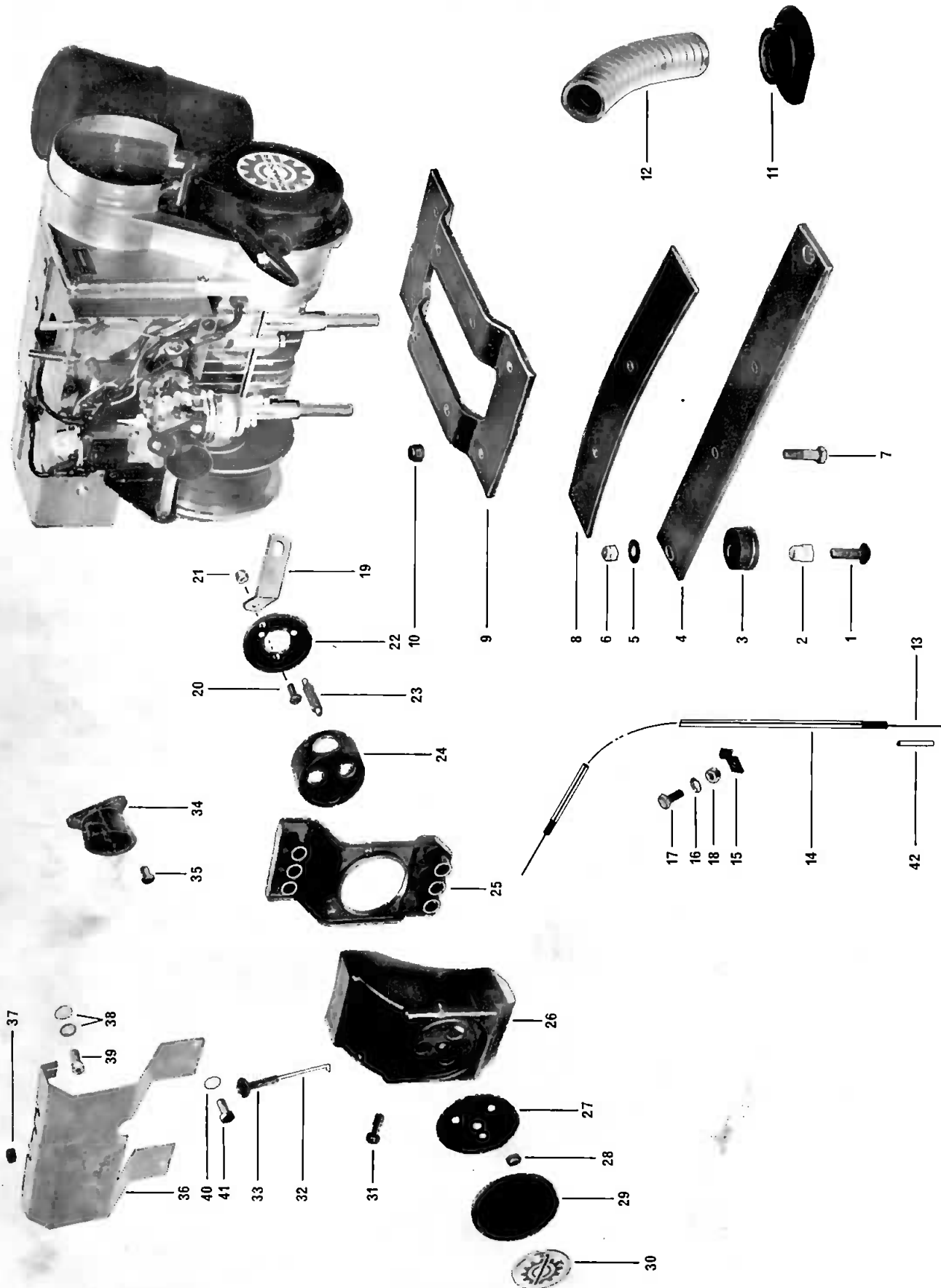
FOR OTHER PARTS WHICH ARE NOT SHOWN IN THIS SECTION (list) PLEASE REFER TO TNT 640s.



# **SECTION 2**

**ENGINE  
THROTTLE  
FUEL  
EXHAUST**

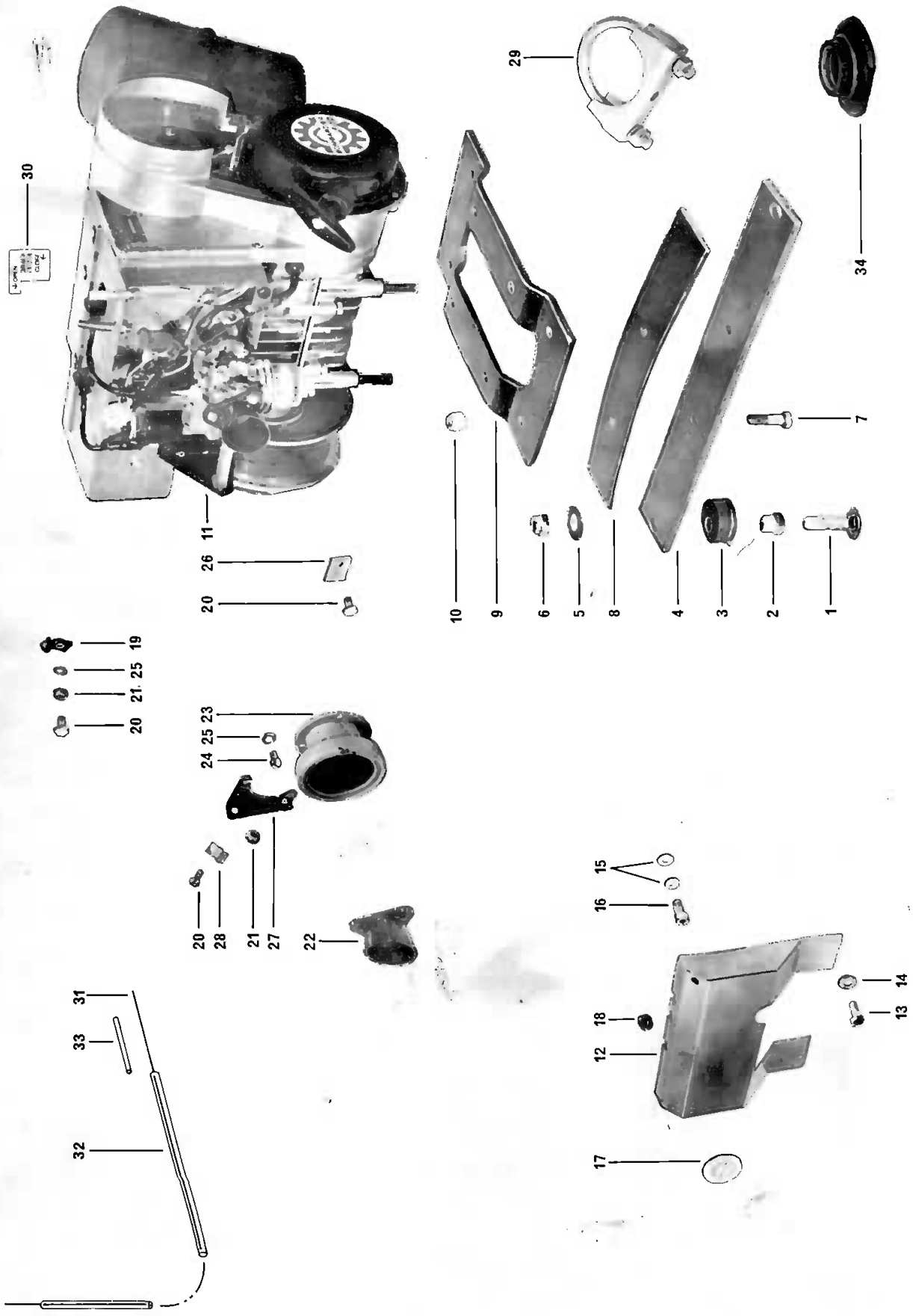
# ENGINE (OLYMPIC)



# ENGINE (OLYMPIC)

ITEM NO.	PART NO.	DESCRIPTION	QUANTITY							
			12 3	335	335E	399	TNT 292	TNT 340	TNT 292S	TNT 340S
1	360 8010	Screw	4	4	4	4	4	4	4	4
2	512 0011	Threaded Spacer Bushing	4	4	4	4	4	4	4	4
3	570 1202	Insulator Rubber	4	4	4	4	4	4	4	4
4	512 0012	Engine Support	2	2	2		2	2	2	2
4	512 0046	Engine Support				2				
5	399 9006	Washer	4	4	4	4	4	4	4	4
6	389 8036	Nut	4	4	4	4	4	4	4	4
7	309 8025	Screw w knurling	4	4	4	4	4	4	4	4
8	512 0047	Engine Leaf Spring				2				
9	512 0017	Engine Bracket	1	1	1		1	1	1	1
9	512 0032	Engine Bracket				1				
10	389 8037	Nut	4	4	4	4	4	4	4	4
11	570 1403	Exhaust Grommet	1	1	1	1	1	1	1	1
12	414 0349	Exhaust Pipe				1				
13	414 0264	Throttle Cable	1	1	1		1	1	1	1
13	414 0261	Throttle Cable				1				
14	414 0263	Cable Housing	1	1	1		1	1	1	1
14	414 0288	Cable Housing				1				
15	507 0028	Housing Clip	1	1	1		1	1	1	1
15	513 0053	Housing Clip				1	1	1	1	1
16	399 8007	Washer	1	1	1					
17	300 5000	Screw	1	1	1	2				
17	321 7100	Screw				1				
18	387 5019	Nut				1				
19	513 0045	Carburator Bracket	1	1	1					
20	300 0000	Screw	1	1	1					
21	386 6119	Nut	1	1	1					
22	402 3004	Silencer Bottom	1	1	1					
22	402 3003	Silencer Bottom					1	1	1	1
23	402 3019	Collar Stud	3	3	3		3	3	3	3
24	402 3033	Silencer Socket	1	1	1					
24	402 3007	Silencer Socket					1	1	1	1
25	414 0270	Air Intake	1	1	1					
25	414 0170	Upper Air Intake					1	1	1	1
26	414 0171	Lower Air Intake					1	1	1	1
27	402 3016	Retaining Disk	1	1	1					
27	402 3015	Retaining Disk					1	1	1	1
28	386 6119	Nut	3	3	3		3	3	3	3
29	414 0271	Intake Silencer Cap	1	1	1		1	1	1	1
30	414 0411	Crest	1	1	1	1	1	1	1	1
31	402 8032	Jet Wrench	1	1	1					
32	402 3023	Choke Rod	1	1	1					
32	402 3022	Choke Rod					1	1	1	1
33	402 3020	Choke Button	1	1	1		1	1	1	1
34	570 1203	Intake Funnel				1				
34	570 1208	Intake Funnel					1	1	1	1
35	337 7100	Screw				3				
35	324 9100	Screw					3	3	3	3
36	512 0059	Engine Console				1				
37	570 1503	Grommet				2				
38	399 8007	Washer				4				
39	<del>300 1001</del>	Screw <b>303 9001</b>				2				
40	399 9015	Washer				2				
41	<del>303 9001</del>	Screw <b>300 1001</b>				2				
42	414 0452	Cable Protector	1	1	1	1	1	1	1	1
	400 2004	Engine	1							
	400 2104	Engine		1						
	400 5002	Engine			1					
	400 3104	Engine				1				
	400 2005	Engine					1		1	1
	400 2105	Engine						1		1

# ENGINE (NORDIC)

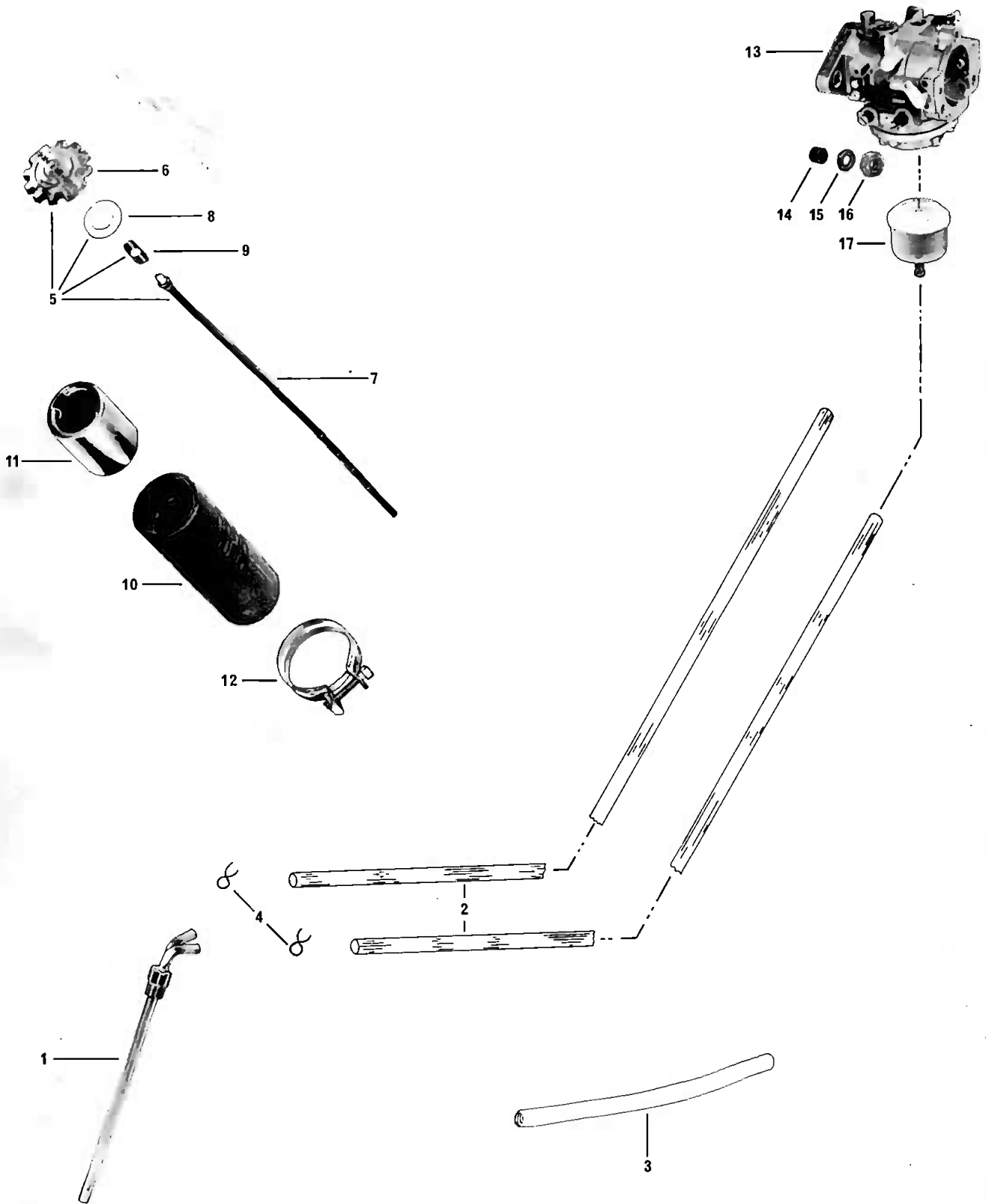


# ENGINE (NORDIC)

ITEM NO.	PART NO.	DESCRIPTION	QUANTITY						
			399	399E	640E	TNT 399	TNT 640	TNT 399S	TNT 640S
1	360 8010	Carriage Bolt .....	4	4	4	4	4	4	4
2	512 0011	Threaded Spacer.....	4	4	4	4	4	4	4
3	570 1202	Insulator Rubber .....	4	4	4	4	4	4	4
4	512 0031	Engine Support.....	2	2		2		2	
4	512 0053	Engine Support.....			2		2		2
5	399 9006	Washer.....	4	4	4	4	4	4	4
6	389 8039	Nut.....	4	4	4	4	4	4	4
7	309 8025	Screw.....	4	4	6	4	6	4	6
8	512 0045	Engine Leaf Spring .....	2	2		2		2	
8	512 0054	Engine Leaf Spring .....			2		2		2
9	512 0032	Engine Bracket.....	1	1		1		1	
9	512 0037	Engine Bracket.....			1		1		1
10	389 8037	Nut.....	4	4	6	4	6	4	6
11	400 3104	Engine.....	1						
11	400 3106	Engine.....		1					
11	<del>400 7005</del>	Engine <i>400 7011</i> .....			1				
11	400 7007	Engine.....					1		1
11	400 3105	Engine.....				1		1	
12	512 0051	Engine Console.....					1		1
12	512 0059	Engine Console.....				1		1	
13	<del>303 9001</del>	Screw <i>300 1001</i> .....				2	2	2	2
14	399 9015	Washer.....				2	2	2	2
15	399 8007	Washer (lock).....				4	4	4	4
16	<del>300 1001</del>	Screw <i>303 9001</i> .....				2	2	2	2
17	414 0411	Bombardier Crest.....				1	1	1	1
18	570 1503	Grommet .....				2	3	2	3
19	513 0053	Clip .....	2	2	1	1	1	1	1
20	300 5000	Screw.....	3	3	3				
20	321 7100	Screw.....				1	1	1	1
21	386 9003	Nut .....			2				
21	387 5019	Nut .....				1	1	1	1
22	570 1203	Intake Funnel Bonding .....	1	1					
22	570 1208	Intake Funnel Bonding .....				1	1	1	1
23	414 0397	Air Intake Silencer .....			1				
24	337 7100	Screw.....	3	3	3	3	3	3	3
25	392 0019	Washer.....	3	3	3				
26	512 0064	Bracket .....	1	1	1				
27	512 0084	Choke Bracket .....			1				
28	507 0028	Clip .....			1				
29	414 0222	Clamp .....			3		3		3
30	414 0504	Ventilation Label .....			1		1		1
31	414 0261	Throttle Cable .....	1	1		1		1	
31	414 0314	Throttle Cable .....			1		1		1
32	414 0288	Cable Housing .....	1	1		1		1	
32	414 0313	Cable Housing .....			1		1		1
33	414 0452	Cable Protector.....	1	1	1	1	1	1	1
34	570 1404	Exhaust Grommet.....			1		1		1

*414 0288*  
*414 0261*

# FUEL (OLYMPIC)





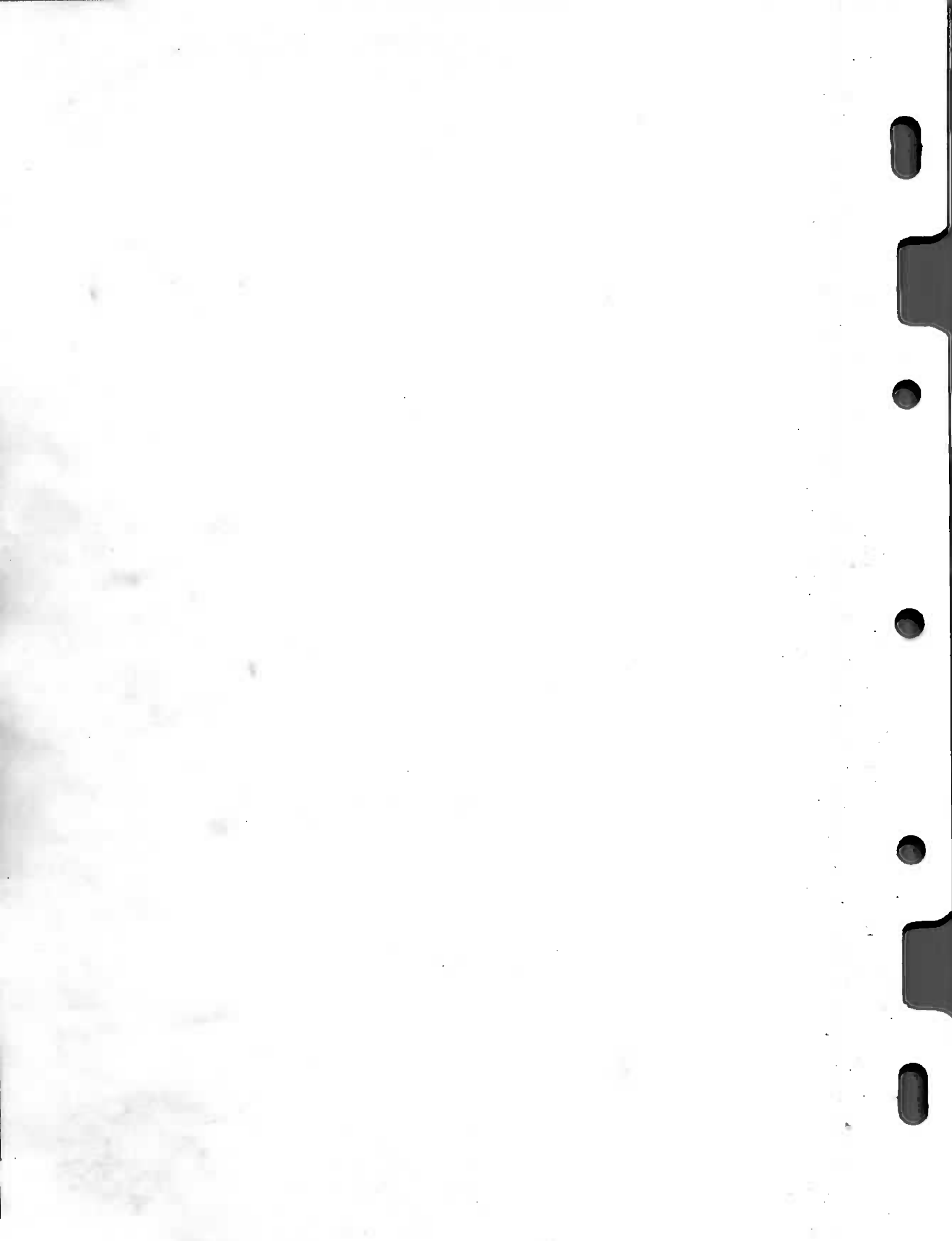
# FUEL (OLYMPIC)

ITEM NO.	PART NO.	DESCRIPTION	QUANTITY							
			12 3	335	335E	399	TNT 292	TNT 340	TNT 2928	TNT 340S
1	513 0064	Fuel Line Adaptor .....	1	1	1	1	1	1	1	1
2	414 0130	Fuel Line Mult 12" .....	AR	AR	AR	AR	AR	AR	AR	AR
3	414 0178	Isolating Line Mult 12" .....	AR	AR	AR	AR	AR	AR	AR	AR
4	414 0128	Hose Clamp .....	1	1	1	1	1	1	1	1
5	580 1051	Fuel Tank Cap Ass'y .....	1	1	1	1	1	1	1	1
6	414 0290	Fuel Tank Cap .....	1	1	1	1	1	1	1	1
7	414 0249	Fuel Tank Gauge .....	1	1	1	1	1	1	1	1
8	414 0293	Gasket .....	1	1	1	1	1	1	1	1
9	513 0047	Spring .....	1	1	1	1	1	1	1	1
10	570 1302	Filler Pipe Extension .....	1	1	1	1	1	1	1	1
11	414 0416	Filler Neck .....	1	1	1	1	1	1	1	1
12	408 8002	Clamp .....	2	2	2	2	2	2	2	2
13	403 0016	Carburator .....	4							
13	403 0018	Carburator .....		1	1					
13	403 0012	Carburator .....				1				
13	403 0015	Carburator .....					1	1	1	1
14	404 0157	Isolating Sleeve .....	2	2	2	2	2	2	2	2
15	402 2072	Isolating Washer .....	2	2	2	2	2	2	2	2
16	402 0018	Nut .....	2	2	2	2	2	2	2	2
17	414 0112	Fuel Filter .....	1	1	1	1	1	1	1	1



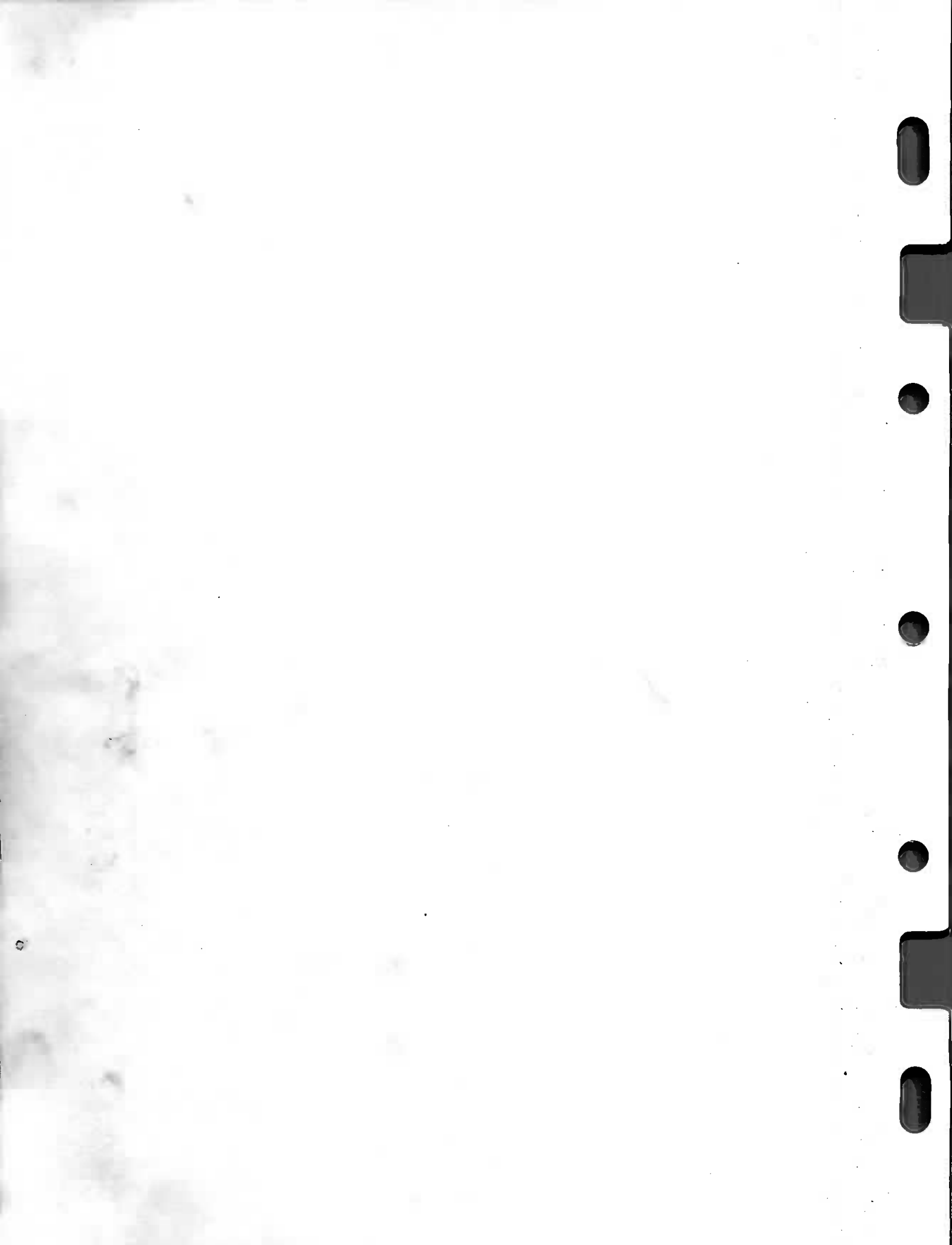
## FUEL (NORDIC)

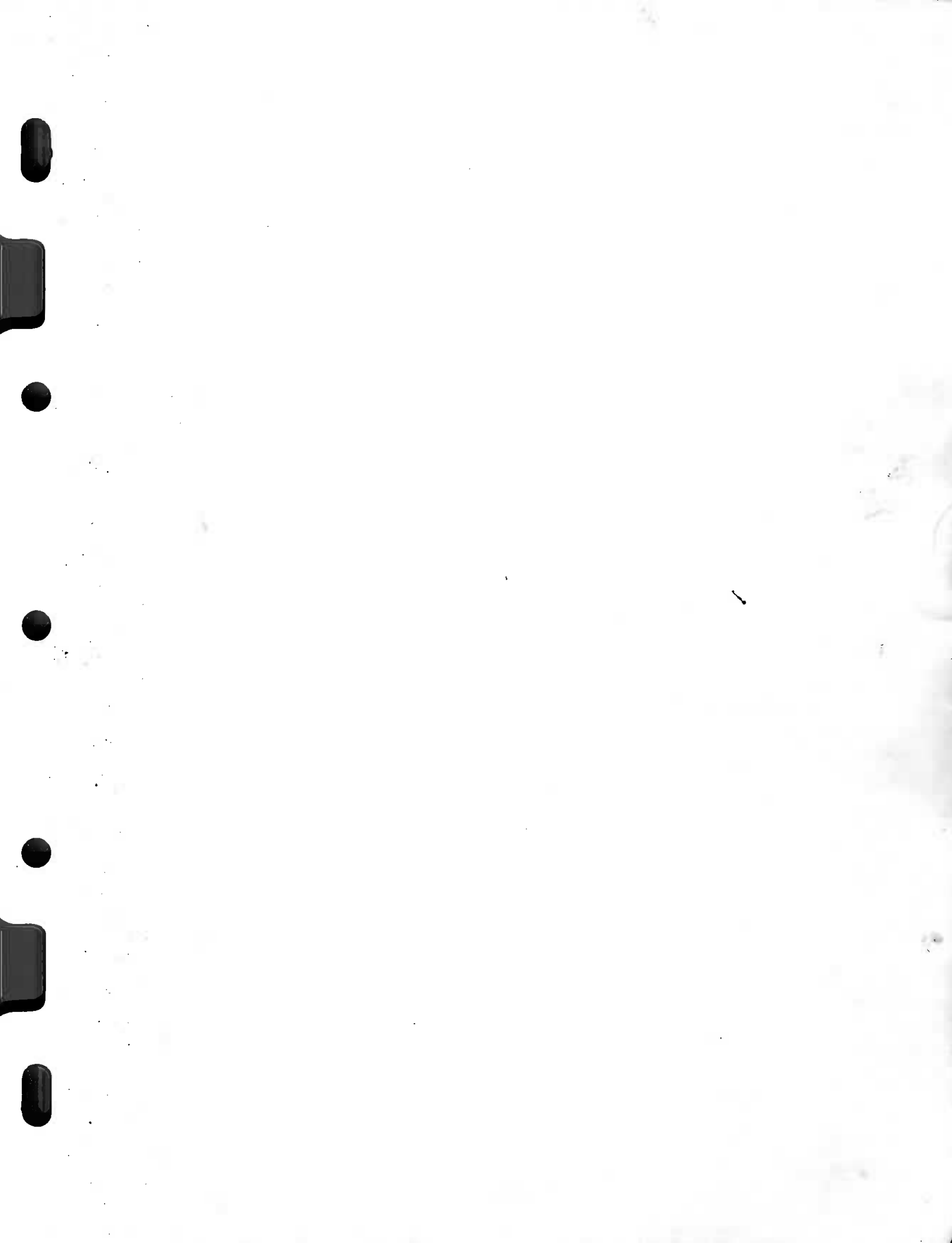
ITEM NO.	PART NO.	DESCRIPTION	QUANTITY						
			399	399E	640E	TNT 399	TNT 640	TNT 399S	TNT 640S
1	414 0135	Fuel Tank .....	1	1	1	1	1	1	1
2	408 8004	Gear Clamp .....	1	1	1	1	1	1	1
3	513 0067	Fuel Line Adapter .....	1	1	1	1	1	1	1
4	414 0130	Fuel Line Mult 12" .....	AR	AR	AR	AR	AR	AR	AR
5	414 0178	Isolating Line Mult.12" .....	AR	AR	AR	AR	AR	AR	AR
6	414 0128	Hose Clamp .....	4	4	4	4	4	4	4
7	517 0124	Filler Neck Bib .....	1	1	1	1	1	1	1
8	300 5001	Screw .....	2	2	2	2	2	2	2
9	386 9003	Nut .....	2	2	2	2	2	2	2
10	414 0209	Fuel Tank Cap (gauge) .....	1	1	1	1	1	1	1
11	513 0073	Retaining Strip .....	2	2	2	2	2	2	2
12	350 0007	Screw .....	2	2	2	2	2	2	2
13	386 6013	Nut .....	2	2	2	2	2	2	2
14	390 4021	Pop Rivet .....	2	2	2	2	2	2	2
15	403 0017	Carburator .....	1	1					
15	403 0013	Carburator .....			1		1		1
15	403 0014	Carburator .....				1		1	
16	404 0157	Insulator Sleeve .....	2	2	2	2	2	2	2
17	402 2072	Isolating Washer .....	2	2	2	2	2	2	2
18	402 0018	Nut .....	2	2	2	2	2	2	2
19	414 0112	Fuel Filter .....	1	1	1	1	1	1	1
20	114 0043	Hose Tie .....	1	1	1	1	1	1	1



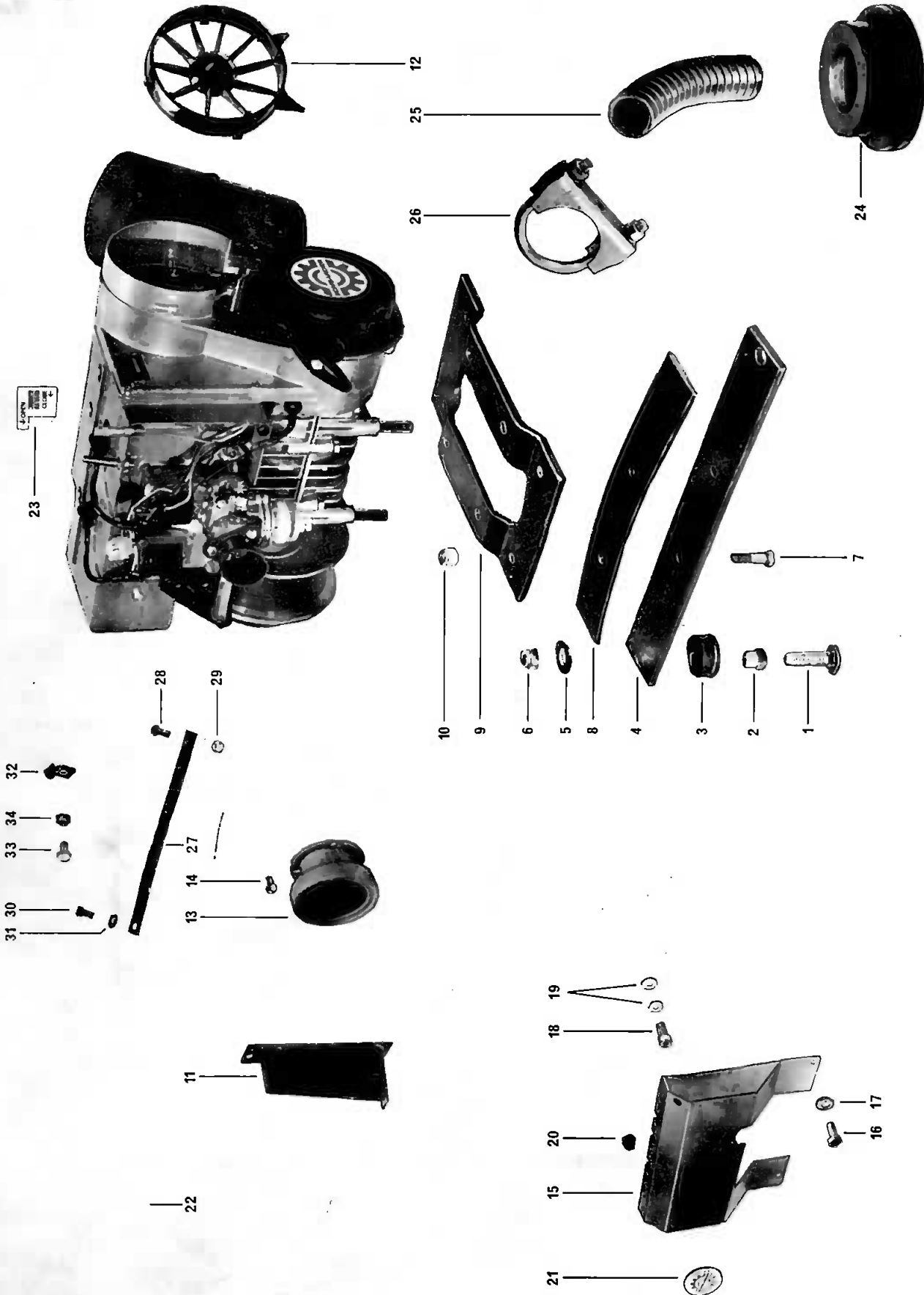
FUEL

ITEM NO.	PART NO.	DESCRIPTION	QUANTITY
			TNT775
1	414 0135	Fuel Tank .....	1
2	408 8004	Gear Clamp .....	1
3	513 0067	Fuel Line Adapter .....	1
4	414 0130	Fuel Line Mult. 12" .....	AR
5	414 0178	Isolating Line Mult. 12" .....	AR
6	414 0128	Hose Clamp .....	4
7	517 0124	Filler Neck Bib .....	1
8	300 5001	Screw .....	2
9	386 9003	Nut .....	2
10	414 0209	Fuel Tank Cap (Gauge) .....	1
11	513 0073	Retaining Strip .....	2
12	350 0007	Screw .....	2
13	386 6013	Nut .....	2
14	390 4021	Pop Rivet .....	2
15	403 0013	Carburator .....	2
16	404 0157	Insulator Sleeve .....	4
17	402 2072	Isolating Washer .....	4
18	402 0018	Nut .....	4
19	404 0051	Fuel Strainer Cover .....	2
	402 0052	Retaining Screw .....	2
20	114 0043	Hose Tie .....	1





# ENGINE (ALPINE)

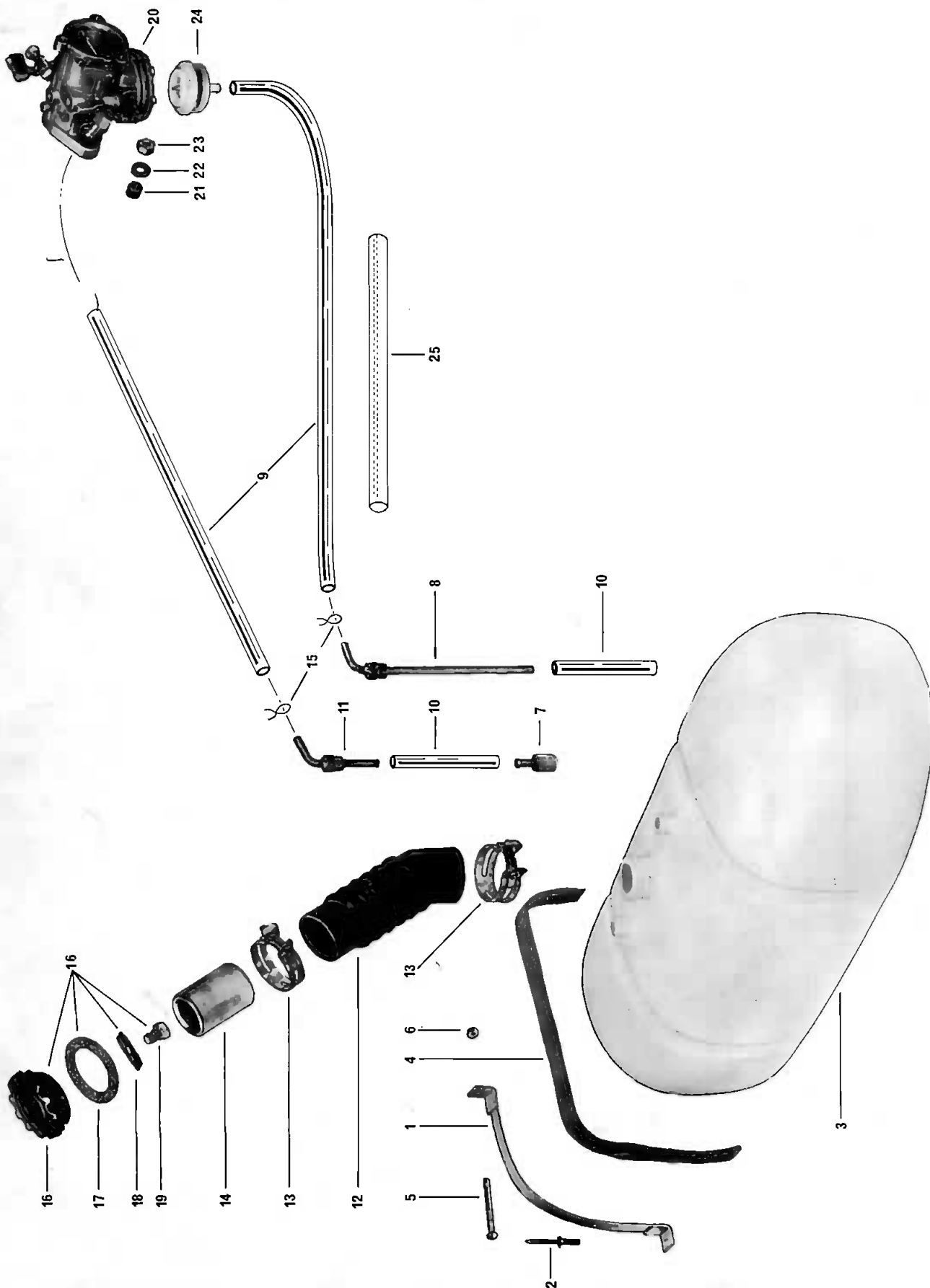




# ENGINE (ALPINE)

ITEM NO.	PART NO.	DESCRIPTION	QUANTITY		
			399	399E	640E
1	360 8010	Carriage Bolt .....	4	4	4
2	572 0011	Threaded Bushing .....	4	4	4
3	570 1202	Insulator Rubber .....	4	4	4
4	512 0069	Engine Support .....	2	2	
4	512 0056	Engine Support .....			2
5	399 9006	Flat Washer .....	4	4	4
6	389 8036	Nut .....	4	4	4
7	309 8025	Bolt W/Knurling .....	4	4	6
8	512 0070	Engine Leaf Spring .....	2	2	
8	512 0057	Engine Leaf Spring .....			2
9	512 0068	Engine Bracket .....	1	1	
9	512 0083	Engine Plate Support .....			1
10	389 8037	Nut .....	4	4	6
11	512 0085	Engine Protector .....	1	1	
11	512 0086	Engine Protector .....			1
12	402 0181	Plastic Cover .....	1	1	
12	402 0187	Plastic Cover .....			1
13	414 0465	Air Intake Silencer .....	1	1	
13	414 0397	Air Intake Silencer .....			1
14	337 7100	Screw .....	3	3	3
15	512 0059	Engine Console .....	1	1	
15	512 0051	Engine Console .....			1
16	300 5000	Hex Cap Screw .....	2	2	2
17	399 9015	Flat Washer .....	2	2	2
18	303 9001	Screw .....	2	2	2
19	399 8007	Lock Washer .....	4	4	4
20	570 1503	Grommet .....	2	2	3
21	414 0411	Crest .....	1	1	1
22	414 0510	Sticker .....	1	1	1
23	414 0504	Ventilation Label .....			1
24	570 1404	Exhaust Grommet .....	1	1	1
25	514 0035	Exhaust Pipe .....	1	1	
25	514 0036	Exhaust Pipe .....			1
26	414 0222	Clamp .....	1	1	4
27	512 0063	Muffler Bracket .....			1
27	512 0092	Muffler Bracket .....	1	1	
28	300 0041	Screw .....	1	1	1
29	389 8037	Nut .....	1	1	1
30	300 4041	Screw .....	1	1	1
31	392 0022	Lock Washer .....	1	1	1
	400 3104	Engine .....	1	1	
	400 7005	Engine .....			1
32	513 0053	Clip .....	1	2	2
33	371 7100	Screw .....	1	1	1
34	387 5019	Nut .....	1	1	1

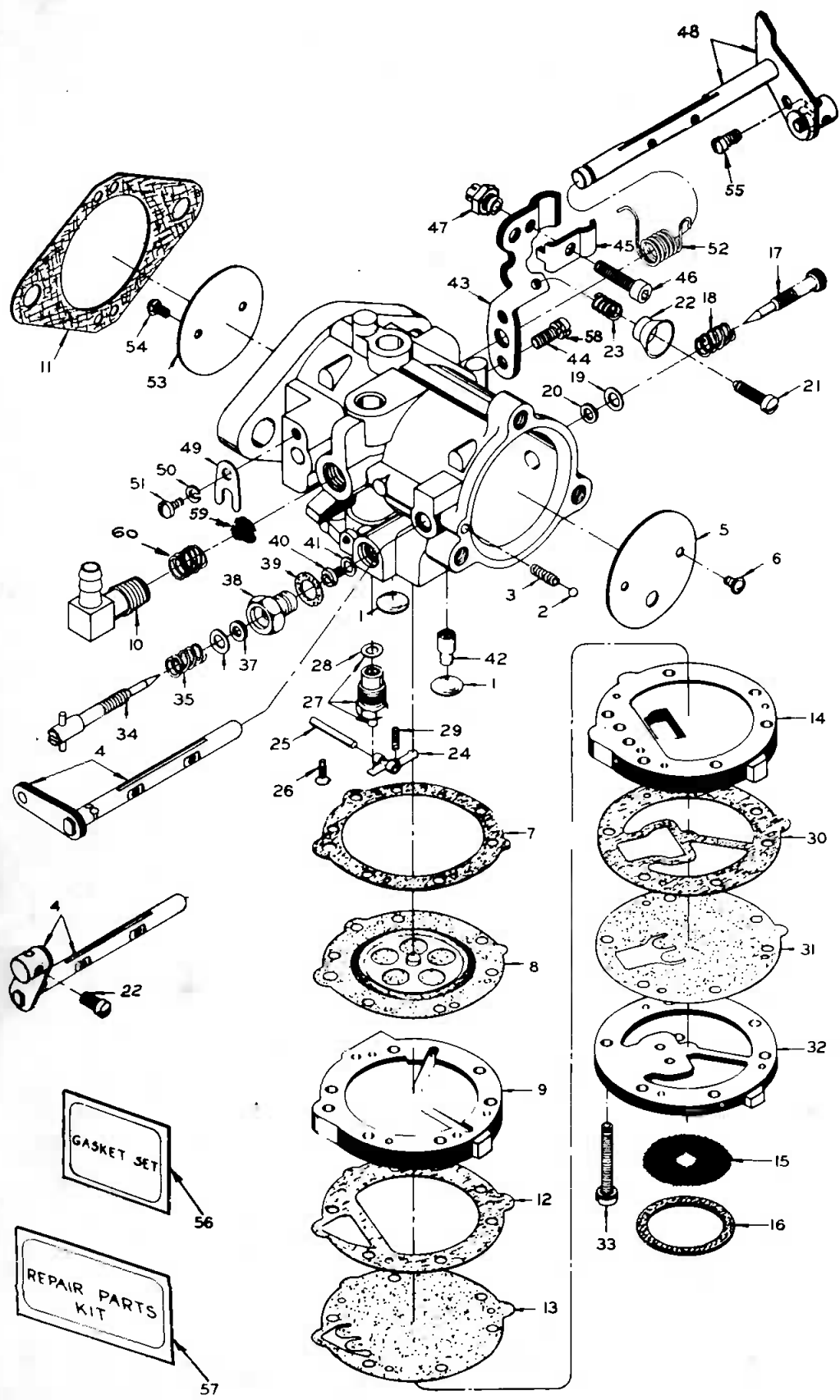
# FUEL (ALPINE)



## FUEL (ALPINE)

ITEM NO.	PART NO.	DESCRIPTION	QUANTITY		
			399	399E	640E
1	513 0027	Retaining Strip .....	4	4	4
2	390 4004	Pop Rivet .....	4	4	4
3	414 0355	Fuel Tank.....	1	1	1
4	414 0247	Protector Strip (mult 12'') .....	AR	AR	AR
5	320 1066	Mach Screw.....	2	2	2
6	387 3013	Nut.....	2	2	2
7	414 0106	Fuel Filter .....	1	1	1
8	513 0035	Fuel Line Adaptor .....	1	1	1
9	414 0130	Fuel Line (mult 12'') .....	AR	AR	AR
10	414 0182	Fuel Line (mult 12'') .....	AR	AR	AR
11	513 0013	Fuel Line Adaptor .....	1	1	1
12	510 1303	Filler Pipe .....	1	1	1
13	408 8002	Clamp .....	2	2	2
14	414 0416	Filler Neck .....	1	1	1
15	414 0128	Hose Clamp .....	2	2	2
16	580 3028	Fuel Tank Cap Ass'y. ....	1	1	1
16	414 0290	Fuel Tank Cap .....	1	1	1
17	414 0293	Gasket.....	1	1	1
18	513 0047	Spring .....	1	1	1
19	300 5080	Cap Screw .....	1	1	1
20	403 0012	Carburetor .....	1	1	
20	403 0013	Carburetor .....			1
21	404 0157	Insulator Sleeve .....	2	2	2
22	402 2072	Isolating Washer .....	2	2	2
23	402 0018	Nut.....	2	2	2
24	414 0112	Fuel Filter .....	1	1	1
25	414 0178	Isolating Line (Mult 12'') .....	AR	AR	AR

# CARBURETOR

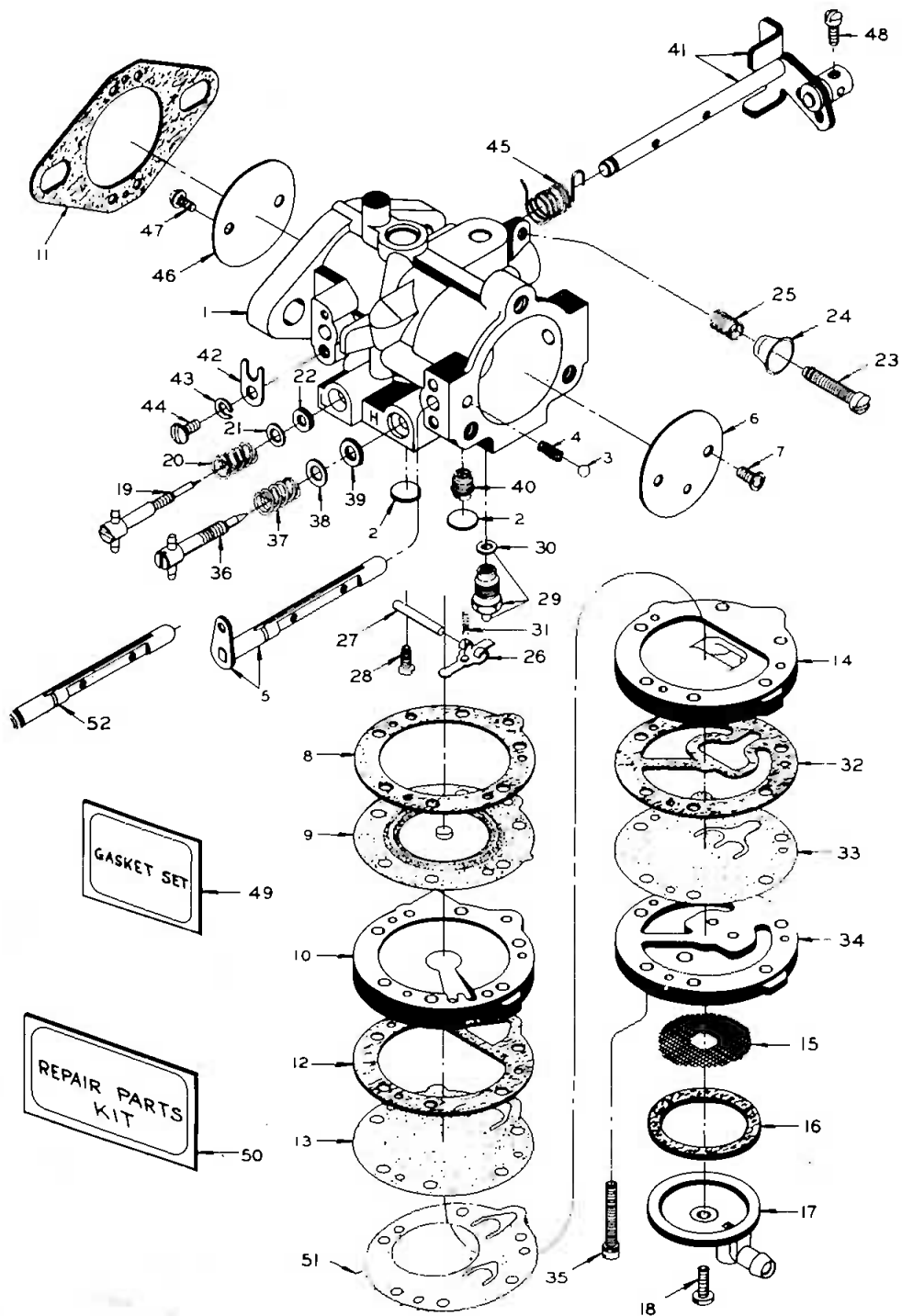


# CARBURETOR

ITEM NO.	PART NO.	DESCRIPTION	QUANTITY		
			A	B	C
1	404 0011	*Body Channel Welch Plug .....	2	2	2
2	404 0013	Choke Friction Ball.....	1	1	1
3	404 0014	Choke Friction Spring.....	1	1	1
4	404 0246	Choke Shaft & Lever.....	1		
4	404 0210	Choke Shaft & Lever .....		1	1
5	404 0180	Choke Shutter.....	1	1	1
6	404 0028	Choke Shutter Screw .....	2	2	2
7	404 0031	Diaphragm Gasket .....	1	1	1
8	404 0033	*Diaphragm.....	1	1	1
9	404 0165	Diaphragm Cover .....	1	1	1
10	404 0247	Elbow Connector .....	1	1	1
11	404 0212	Flange Gasket .....	1	1	1
12	404 0166	Fuel Pump Gasket.....	1	1	1
13	404 0167	*Fuel Pump Diaphragm .....	1	1	1
14	404 0168	Fuel Pump Body.....	1	1	1
15	404 0181	*Fuel Strainer Screen .....	1	1	1
16	404 0050	Fuel Strainer Cover Gasket .....	1	1	1
17	404 0054	*Idle Mixture Screw .....	1	1	1
18	404 0068	*Idle Mixture Screw Spring .....	1	1	1
19	404 0058	Idle Mixture Screw Washer .....	1	1	1
20	404 0063	Idle Mixture Screw Packing .....	1	1	1
21	404 0248	*Idle Speed Screw Ass'y .....	1	1	1
22	404 0220	Choke Wire Ret. Screw .....	1		
23	404 0067	*Idle Speed Screw Spring .....	1	1	1
24	404 0069	*Inlet Control Lever .....	1	1	1
25	404 0072	*Inlet Control Lever Pin .....	1	1	1
26	404 0073	*Inlet Control Lever Pin Ret. Screw .....	1	1	1
27	404 0229	*Inlet Needle Seat & Gasket .....	1	1	1
28	404 0080	Inlet Seat Gasket.....	1	1	1
29	404 0081	*Inlet Tension Spring .....	1	1	1
30	404 0170	Inlet Valve Gasket.....	1	1	1
31	404 0171	*Inlet Valve Diaphragm .....	1	1	1
32	404 0213	Inlet Valve Body & Strainer.....	1	1	1
33	404 0173	Inlet Valve Body Screw & Lockwasher .....	6	6	6
34	404 0055	*High Speed Mixture Screw .....	1	1	1
35	404 0147	High Speed Mixture Screw Gland.....	1	1	1
36	404 0144	High Speed Mixture Screw Gland Gasket .....	1	1	1
37	404 0063	High Speed Mixture Screw Packing .....	1	1	1
38	404 0068	*High Speed Mixture Screw Spring .....	1	1	1
39	404 0058	High Speed Mixture Screw Washer .....	1	1	1
40	404 0223	*Main Fuel Jet.....	1	1	
40	404 0249	*Main Fuel Jet.....			1
41	404 0174	Main Fuel Jet Gasket .....	1	1	1
42	404 0089	Nozzle Check Valve .....	1	1	1
43	404 0250	Throttle Cable Bracket .....	1		1
43	404 0224	Idle Speed Screw Bracket .....		1	
44	404 0251	Throttle Cable Bracket Ret. Screw.....	2		2
44	404 0048	Idle Speed Screw Bracket Ret. Screw.....		2	
45	404 0215	Throttle Cable Clamp .....	1		1
46	404 0216	Throttle Clamp Ret. Screw.....	1		1
47	404 0217	Throttle Cable Ret. Nut .....	1	1	1
48	404 0252	Throttle Shaft & Lever .....	1	1	1
49	404 0104	Throttle Shaft Clip.....	1	1	1
50	404 0105	Throttle Shaft Clip Lockwasher .....	1	1	1
51	404 0106	Throttle Shaft Clip Ret. Screw .....	1	1	1
52	404 0219	*Throttle Shaft Return Spring.....	1	1	1
53	404 0116	Throttle Shutter .....	1	1	1
54	404 0028	*Throttle Shutter Screw .....	2	2	2
55	404 0220	*Throttle Wire Ret. Screw .....	1	1	1
56	404 0221	*Gasket Set.....	1	1	1
57	404 0222	Repair Parts Kit .....	1		
57	404 0226	Repair Parts Kit.....		1	
57	404 0228	Repair Parts Kit.....			1
58	404 0105	Throttle Cable Bracket Lockwasher.....	2		2
59	404 0235	*Inlet Screen.....	1	1	1
60	404 0236	*Inlet Screen Ret. Spring .....	1	1	1
A	403 0013	For Nordic 640E - TNT 640 - TNT 640S - Alpine 640ER .....			
B	403 0014	For TNT 399 - TNT 399S .....			
C	403 0015	For TNT 292 - TNT 292S - TNT 340 - TNT 340S .....			

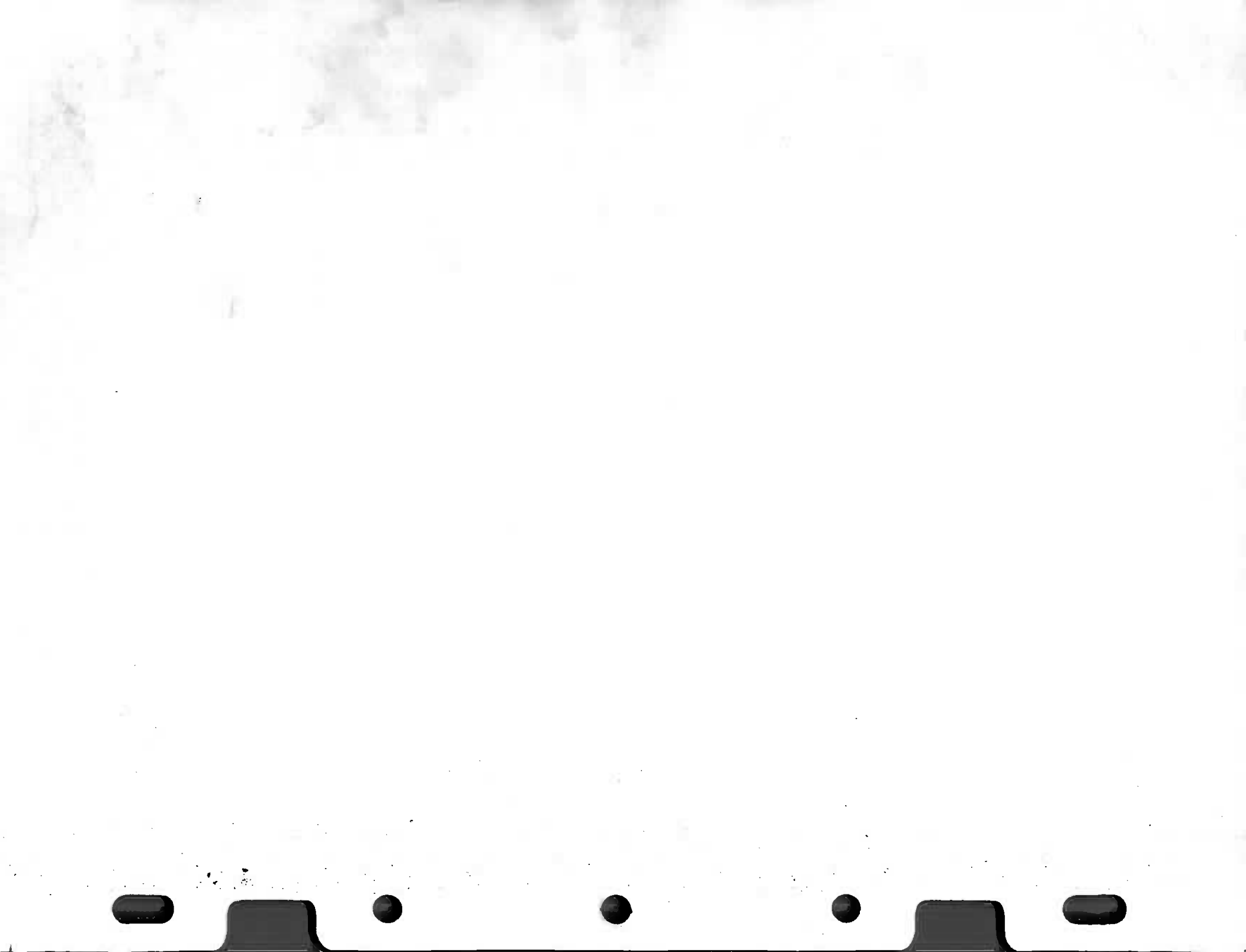
\*Indicates contents of Repair Parts Kit.

# CARBURETOR



# CARBURETOR

ITEM NO.	PART NO.	DESCRIPTION	QUANTITY			
			A	B	C	D
				X		379-N
1	404 0233	Body (service) .....	1			
1	404 0205	Body (service) .....		1		
1	404 0231	Body (service) .....			1	
1	404 0237	Body (service) .....				1
2	404 0010	*Body Channel Welch Plug .....	2	2	2	2
3	404 0013	Choke Friction Ball .....	1	1	1	1
4	404 0014	Choke Friction Spring .....	1	1	1	1
5	404 0186	Choke Shaft & Lever .....	1	1		
5	404 0020	Choke Shaft & Lever .....			1	
6	404 0187	Choke Shutter .....	1	1		1
6	404 0026	Choke Shutter .....			1	
7	404 0028	Choke Shutter Screw & Lock Washer .....	2	2	2	2
8	404 0030	Diaphragm Gasket .....	1	1	1	1
9	404 0032	*Diaphragm .....	1	1	1	1
10	404 0188	Diaphragm Cover .....	1	1		1
10	404 0036	Diaphragm Cover .....			1	
11	404 0039	Flange Gasket .....	3	3	3	3
12	404 0191	Fuel Pump Gasket .....	1	1		1
12	404 0041	Fuel Pump Gasket .....			1	
13	404 0190	*Fuel Pump Diaphragm .....	1	1		1
13	404 0043	*Fuel Pump Diaphragm (pulse) .....			1	
14	404 0189	Fuel Pump Body .....	1	1		1
14	404 0046	Fuel Pump Body .....			1	
15	404 0181	*Fuel Strainer Screen .....	1	1	1	1
16	404 0050	Fuel Strainer Cover Gasket .....	1	1	1	1
17	404 0182	Fuel Strainer Cover .....		1	1	
18	404 0052	*Fuel Strainer Cover Ret. Screw .....		1	1	
19	404 0192	*Idle Mixture Screw .....	1	1		1
19	404 0061	*Idle Mixture Screw .....			1	
20	404 0056	*Idle Mixture Screw Spring .....	1	1	1	1
21	404 0057	Idle Mixture Screw Washer .....	1	1	1	1
22	404 0059	Idle Mixture Screw Packing .....	1	1	1	1
23	404 0066	*Idle Speed Screw .....	1	1	1	1
24	404 0158	Idle Speed Screw Cup .....	1	1	1	1
25	404 0067	*Idle Speed Screw Spring .....	1	1	1	1
26	404 0069	*Inlet Control Lever .....	1	1	1	1
27	404 0072	Inlet Control Lever Fulcrum Pin .....	1	1	1	1
28	404 0073	*Fulcrum Pin Ret. Screw .....	1	1	1	1
29	404 0159	*Inlet Needle, Seat & Gasket .....	1	1	1	1
30	404 0079	Inlet Seat Gasket .....	1	1	1	1
31	404 0081	*Inlet Tension Spring .....	1	1	1	1
32	404 0196	Inlet Valve Gasket .....	1	1		1
33	404 0195	*Inlet Valve Diaphragm .....	1	1		1
34	404 0193	Inlet Valve Body .....	1	1		1
35	404 0194	Inlet Valve Body Ret. Screw .....	6	6		6
35	404 0047	Fuel Pump Body Screw & Lockwasher .....			6	
36	404 0202	*High Speed Mixture Screw .....	1	1		1
36	404 0062	*High Speed Mixture Screw .....			1	
37	404 0068	*High Speed Mixture Screw Spring .....	1	1	1	1
38	404 0058	High Speed Mixture Screw Washer .....	1	1	1	1
39	404 0063	High Speed Mixture Screw Packing .....	1	1	1	1
40	404 0088	*Nozzle Check Valve .....	1	1	1	1
41	404 0232	Throttle Shaft & Lever .....	1	1	1	1
42	404 0102	Throttle Shaft Clip .....	1	1	1	1
43	404 0105	Throttle Shaft Clip Lockwasher .....	1	1	1	1
44	404 0106	Throttle Shaft Clip Ret. Screw .....	1	1	1	1
45	404 0111	*Throttle Shaft Return Spring .....	1	1	1	1
46	404 0198	Throttle Shutter .....	1	1		1
46	404 0117	Throttle Shutter .....			1	
47	404 0028	*Throttle Shutter Screw & Lockwasher .....	2	2	2	2
48	404 0220	*Throttle Wire Ret. Screw .....	1	1	1	1
49	404 0199	*Gasket & Packing Set .....		1		
49	404 0203	*Gasket & Packing Set .....	1			1
49	404 0177	*Gasket & Packing Set .....			1	
50	404 0234	Repair Parts Kit .....	1			1
50	404 0206	Repair Parts Kit .....		1		
50	404 0162	Repair Parts Kit .....			1	
51	404 0044	*Fuel Pump Diaphragm (valve) .....			1	
52	404 0238	Choke Shaft .....				1
A	403 0018	Olympic 335 - 335E .....				
B	403 0012	Olympic 399 - Alpine 399 - 399E .....				
C	403 0016	Olympic 12/3 .....				
D	403 0017	Norbic 399-399E .....				
		* Indicates contents of Repair parts kit. ....				





# ROTAX ENGINE

1970

399<sup>①</sup> FOR TNT 399 – 399S

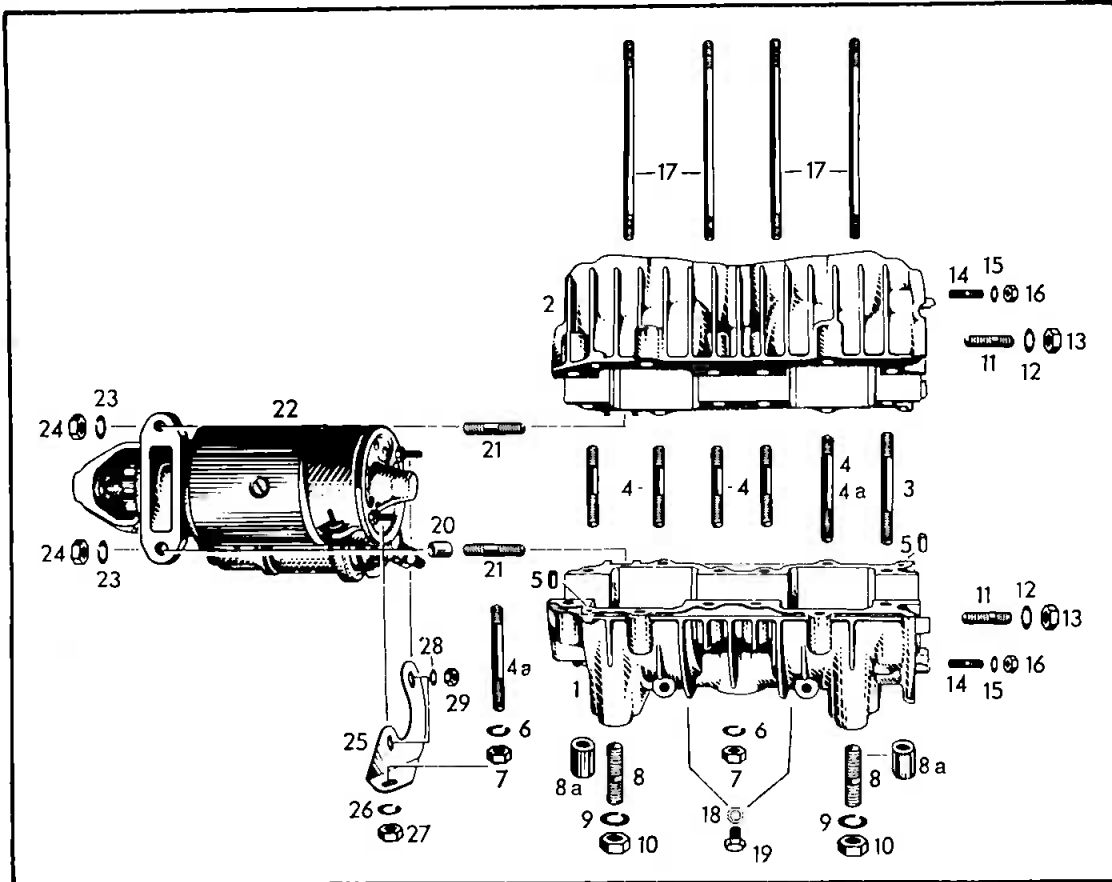
399<sup>②</sup> FOR NORDIC 399 – 399E

OLYMPIC 399 ALPINE 399R – 399ER

640<sup>③</sup> FOR NORDIC 640 ALPINE 640ER

640<sup>④</sup> FOR TNT 640 – 640S

# CRANKCASE, ELECTRIC STARTER



ITEM NO.	PART NO.	DESCRIPTION	QUANTITY			
			399 <sup>①</sup>	399 <sup>②</sup>	640 <sup>③</sup>	640 <sup>④</sup>
1-2-3-4-5	402 0165	Crankcase Ass'y	1	1		
1-2-3-4-4A-5	402 0167	Crankcase Ass'y			1	
1-2-3-4-5-	402 0198	Crankcase Ass'y				1
3	402 0007	Stud M8 x 56	2	2	2	2
4	402 0123	Stud M8 x 37	7	7	9	12
4A	402 0009	Stud M8 x 46	1	1	1	
5	402 0161	Dowel Pin 5 $\phi$ x 10	2	2	2	2
6	402 0016	Lock Washer 8	10	10	12	14
7	402 0018	Hex. Nut M8	10	10	12	14
8	402 0153	Stud M10 x 18, Engine Base Nordic	4	4		
8	402 0023	Stud M10 x 42, Engine Base Alpine		4		
8	402 0178	Stud M12 x 26, Engine Base Nordic			4	4
8	402 0113	Stud M12 x 42.5, Engine Base Alpine			4	
8A	402 0091	Distance Sleeve 22mm, Engine Base Alpine		4		
8A	402 0177	Distance Sleeve 6mm, Engine Base Nordic			4	4
8A	402 0173	Distance Sleeve 22mm, Engine Base Alpine			4	
9	402 0025	Lock Washer 10	4	4		
9	402 1038	Lock Washer 12			4	4
10	402 0026	Hex. Nut M10	4	4		
10	402 0117	Hex. Nut M12			4	4

BOMBARDIER LTD./LTEE

**CRANKCASE, ELECTRIC STARTER**

ITEM NO.	PART NO.	DESCRIPTION	QUANTITY			
			399 <sup>①</sup>	399 <sup>②</sup>	640 <sup>③</sup>	640 <sup>④</sup>
11	402 0115	Stud M8 x 16, Fan Housing . . . . .	4	4		
11	402 0115	Stud M8 x 16, Fan Housing . . . . .			4	4
12	402 1158	Locking Washer 8 . . . . .	4	4	4	4
13	402 0134	Hex. Nut M8 . . . . .	4	4	4	4
14	402 4117	Stud M5 x 11.5, Armature Plate . . . . .	2	2	2	2
15	402 4133	Washer 5.3 . . . . .	2	2	2	2
16	402 0105	Hex. Stop Nut M5 . . . . .	2	2	2	2
17	402 2160	Stud M8, Cylinder . . . . .	8	8		
17	402 0076	Stud, M8, Cylinder . . . . .			8	8
18	402 0019	Sealing Ring . . . . .			2	2
19	402 0020	Oil Drain Screw M8 x 9 . . . . .			2	2
20	402 7059	Dowel Tube 10φ x 13, Electric Starter . . . . .		1	1	
21	402 2002	Stud M8 x 25, Electric Starter . . . . .		2	2	
22	402 7060	Electric Starter Ass'y . . . . .		1	1	
23	402 0016	Lock Washer 8 . . . . .		2	2	
24	402 0018	Hex. Nut M8 . . . . .		2	2	
25	402 7072	Starter Bracket . . . . .		1		
25	402 7070	Starter Bracket . . . . .			1	
26	402 0016	Lock Washer 8 . . . . .		1	1	
27	402 0018	Hex. Nut M8 . . . . .		1	1	
28	402 4022	Washer 5.3/11 x 1 . . . . .		2	2	
29	402 0105	Lock Nut M5 . . . . .		2	2	

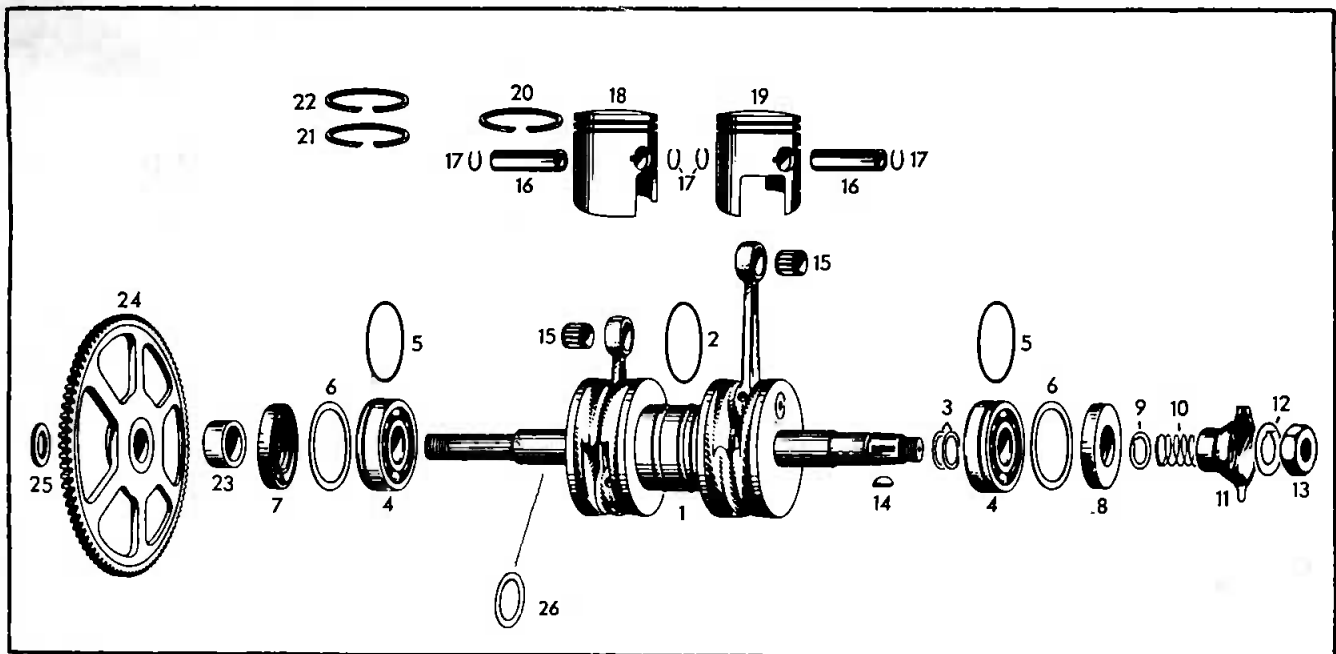
399<sup>①</sup> For TNT 399

399<sup>②</sup> For Nordic 399-399E  
Olympic 399 - Alpine 399R-399ER

640<sup>③</sup> For Nordic 640E

640<sup>④</sup> For TNT 640

# CRANKSHAFT, PISTONS, STARTER GEAR



ITEM NO.	PART NO.	DESCRIPTION	QUANTITY			
			399 <sup>①</sup>	399 <sup>②</sup>	640 <sup>③</sup>	640 <sup>④</sup>
1-2	402 1150	Crankshaft Ass'y . . . . .	1	1		
1-2	402 1197	Crankshaft Ass'y . . . . .			1	
1-2	402 1206	Crankshaft Ass'y . . . . .				1
2	402 1137	O-Ring . . . . .	3	3		
2	402 1119	O-Ring . . . . .			3	3
3	402 1023	Shim 0.2mm . . . . .	AR	AR		
3	402 1024	Shim 0.3mm . . . . .	AR	AR		
3	402 1025	Shim 0.5mm . . . . .	AR	AR		
3	402 1026	Shim 1.0mm . . . . .	AR	AR		
3	402 1126	Shim 0.1mm . . . . .	AR	AR		
3	402 1112	Shim 1mm . . . . .			AR	AR
3	402 1113	Shim 0.15mm . . . . .			AR	AR
3	402 1114	Shim 0.3mm . . . . .			AR	AR
3	402 1115	Shim 0.2mm . . . . .			AR	AR
4	402 1142	Ball Bearing . . . . .	2	2		
4	402 1139	Ball Bearing . . . . .			2	2
5	402 1137	O-Ring . . . . .	2	2		
5	402 1119	O-Ring . . . . .			2	2
6	402 1135	Retaining Washer . . . . .	2	2		
6	402 1108	Retaining Disk . . . . .			2	2
7	402 1138	Oil Seal . . . . .	1	1		
8	402 1136	Oil Seal . . . . .	1	1		
7-8	402 1101	Oil Seal . . . . .			2	2
9	402 1035	Washer, Cam Spring . . . . .	1	1		
9	402 1026	Washer, Cam Spring . . . . .			1	1
10	402 1036	Spring, Breaker Cam . . . . .	1	1	1	1
11	402 1156	Breaker Cam . . . . .	1	1	1	1

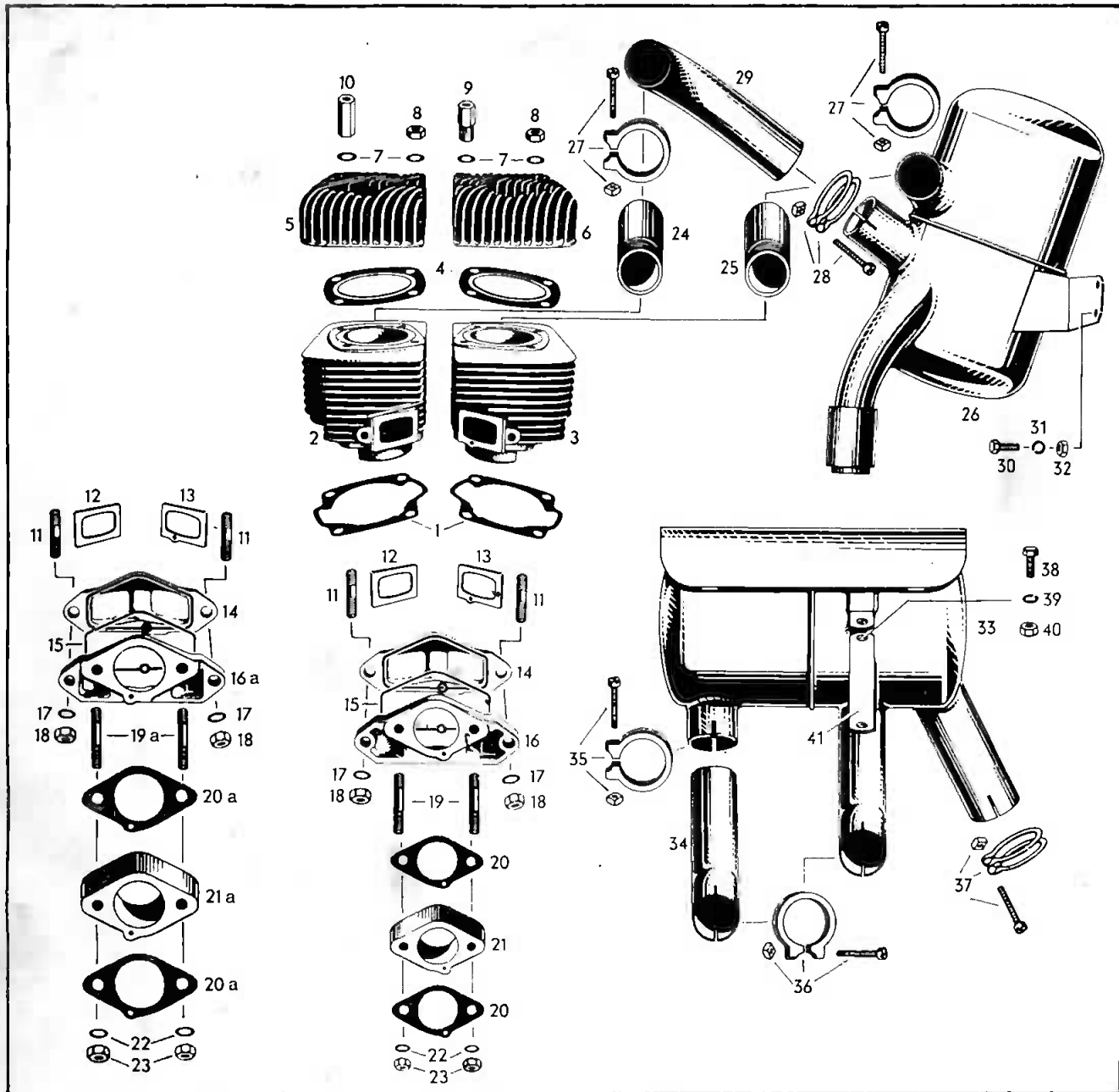
BOMBARDIER LTD./LTEE

**CRANKSHAFT, PISTONS, STARTER GEAR**

ITEM NO.	PART NO.	DESCRIPTION	QUANTITY			
			399 <sup>①</sup>	399 <sup>②</sup>	640 <sup>③</sup>	640 <sup>④</sup>
12	402 1040	Lock Washer	1	1	1	1
13	402 1043	Hex. Nut M18 x 1.5	1	1	1	1
14	402 1010	Woodruff Key 5 x 6.5	1	1	1	1
15	402 1033	Needle Cage	2	2	2	2
16	402 1063	Gudgeon Pin	2	2		
16	402 1064	Gudgeon Pin			2	2
17	402 1067	Circlip, Gudgeon Pin	4	4	4	4
18-20	402 1151	Piston Ass'y With Rings 76.0φ Std. P.T.O. Side			1	
18-20	402 1152	Piston Ass'y With Rings 76.5φ, 1st Oversize P.T.O. Side			1	
18-20-21	402 1202	Piston Ass'y with Rings 76.0φ Std, P.T.O. Side				1
18-20-21	402 1203	Piston Ass'y with Rings 76.5φ 1st Oversize. P.T.O. Side	LH			1
18, 21, 22	402 1174	Piston Ass'y With Ring 64.5φ Std P.T.O. Side	1			
	402 1180	Piston Ass'y With Ring 65.0 φ 1Std Oversize P.T.O. Side	1			
18-20	402 1198	Piston Ass'y With Rings 64.5φ Std. P.T.O. Side		1		
18-20	402 1199	Piston Ass'y With Rings 65.0φ Oversize P.T.O. Side		1		
19-20	402 1153	Piston Ass'y With Rings 76.0φ 1st Oversize Magneto Side			1	
19-20	402 1200	Piston Ass'y With Rings 64.5φ Std. Magneto Side		1		
19-20	402 1201	Piston Ass'y With Rings 65.0φ 1st Oversize Magneto Side		1		
19-20	402 1204	Piston Ass'y With Rings 76.0φ Std. Magneto Side				1
19-20-21	402 1205	Piston Ass'y With Rings 76.5φ 1st Oversize, Magneto Side				1
19-21-22	402 1175	Piston Ass'y With Rings 64.5φ Std Magneto Side	1			
	402 1181	Piston Ass'y With Rings 65.0φ 1st Oversize, Magneto Side	1			
20-21	402 1186	Rectangular Ring 64.5φ Std.	2	4		
20-21	402 1187	Rectangular Ring 65.0φ 1st Oversize	2	4		
20	402 1132	Rectangular Ring 76.0φ Std.			2	
20	402 1133	Rectangular Ring 76.5φ 1st. Oversize			2	
20	402 1194	Rectangular Ring 76.0φ Std.				2
20	402 1195	Rectangular Ring 76.5φ 1st. Oversize				2
22	402 1176	L-Ring 64.5φ Std.	2			
22	402 1177	L-Ring 65.0φ 1st Oversize	2			
22	402 1192	L-Ring 76.0φ Std.				2
22	402 1193	L-Ring 76.5φ 1st. Oversize				2
23	402 1120	Distance Sleeve 21mm. Engine Without electric Starter Only	1	1		
23	402 1196	Distance Sleeve 24mm, Engine Without electric Starter Only			1	
23	402 1143	Distance Sleeve 14.5mm		1		
23	402 1110	Ball Bearing				1
24	402 5049	Starter Gear 77t		1		
24	402 7075	Starter Gear 86t			1	
25	402 1123	Washer, Crankshaft P.T.O. Side	1	1		
26	402 1114	Shim 0.3MM				AR

BOMBARDIER LTD./LTEE

CYLINDERS, INTAKE MANIFOLD, MUFFLER



ITEM NO.	PART NO.	DESCRIPTION	QUANTITY	
			399 <sup>①</sup>	399 <sup>②</sup>
1	402 2132	Gasket, Cylinder Flange	2	2
2	402 2180	Cylinder, P.T.O. Side	1	1
3	402 2181	Cylinder, Magneto Side	1	1
4	402 2133	Gasket, Cylinder Head	2	2
5	402 2155	Cylinder Head, P.T.O. Side	1	
5	402 2210	Cylinder Head, P.T.O. Side		1
6	402 2156	Cylinder Head, Magneto Side	1	
6	402 2211	Cylinder Head, Magneto Side		1
7	402 0031	Washer, Cylinder Head	8	8

**CYLINDERS, INTAKE MANIFOLD, MUFFLER**

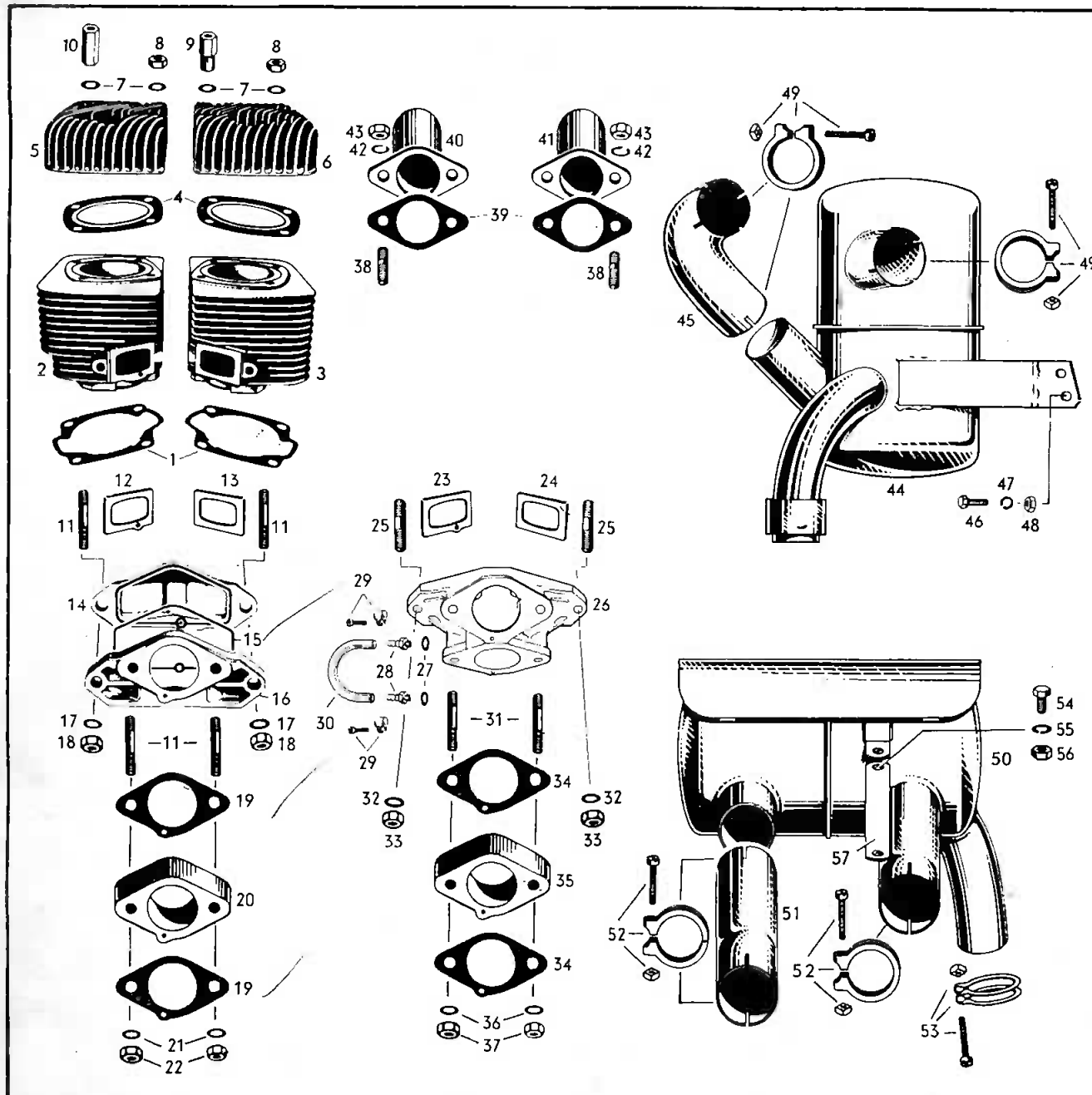
ITEM NO.	PART NO.	DESCRIPTION	QUANTITY	
			399 <sup>①</sup>	399 <sup>②</sup>
8	402 0018	Hex Nut M8	4	4
9	402 2143	Distance Nut M8/5/16"	3	3
10	402 2144	Distance Nut M8/1/8-27 NPT	1	1
11	402 2141	Stud M8 x 34	2	2
12	402 2134	Intake Gasket, P.T.O. Side Cylinder	1	1
13	402 2135	Intake Gasket, Magneto Side Cylinder	1	1
14	402 2148	Intake Manifold	1	1
15	402 2136	Ring Gasket	1	1
16	402 2149	Intake Cover		1
16A	402 2182	Intake Cover	1	
17	402 0031	Washer 2mm	2	2
18	402 2106	Lock Nut M8	2	2
19	402 0123	Stud M8 x 37, Carburetor		2
19A	402 2159	Stud M8 x 41, Carburetor	2	
20	404 0039	Tillotson Carburetor Flange Gasket		2
20A	404 0212	Tillotson Carburetor Flange Gasket	2	
21	402 2170	Isolating Flange, 18, 5mm Thick		1
21A	402 2171	Isolating Flange, 20mm Thick	1	
22	402 2072	Isolating Washer	2	2
23	402 0018	Hex. Nut M8	2	2
24	402 2163	Exhaust Socket 90mm, P.T.O. Side	1	1
25	402 2164	Exhaust Socket 107mm, Magneto Side	1	1
26	402 2199	Muffler Ass'y (Nordic)	1	1
26	402 2201	Muffler Ass'y (Olympique)		1
27	402 2166	Muffler Clamp 40 $\phi$	2	2
28	402 2167	Muffler Clamp 42 $\phi$	1	1
29	414 0349	Inlet Elbow	1	1
30	402 4127	Hex. Screw M6 x 20	2	2
31	402 0015	Lock Washer 6	2	2
32	402 2053	Hex. Nut M6	2	2
33	402 2216	Muffler Ass'y (Alpine)		1
34	402 2217	Inlet Tube (Alpine)		1
35	402 2167	Clamp Ass'y 42 $\phi$	1	1
36	402 2166	Clamp Ass'y 40 $\phi$	2	2
37	414 0222	Clamp Ass'y 48 $\phi$ (Alpine)		1
38	402 2190	Hex. Screw M8 x 16	1	1
39	402 0016	Lock Washer 8	1	1
40	402 0018	Hex. Nut M8	1	1
41	512 0092	Muffler Bracket	1	1

399<sup>①</sup> For TNT 399

399<sup>②</sup> For Nordic 399-399E

Olympic 399 - Alpine 399R-399ER

# CYLINDERS, INTAKE MANIFOLD, MUFFLER



ITEM NO:	PART NO.	DESCRIPTION	QUANTITY	
			640 <sup>③</sup>	640 <sup>④</sup>
1	402 2137	Gasket, Cylinder Flange	2	2
2	402 2127	Cylinder, P.T.O. Side	1	
2	402 2202	Cylinder, P.T.O. Side		1
3	402 2128	Cylinder, Magneto Side	1	
3	402 2203	Cylinder, Magneto Side		1
4	402 2101	Gasket, Cylinder Head	2	2
5	402 2129	Cylinder Head, P.T.O. Side	1	
5	402 2204	Cylinder Head, P.T.O. Side		1
6	402 2130	Cylinder Head, Magneto Side	1	

BOMBARDIER LTD./LTEE

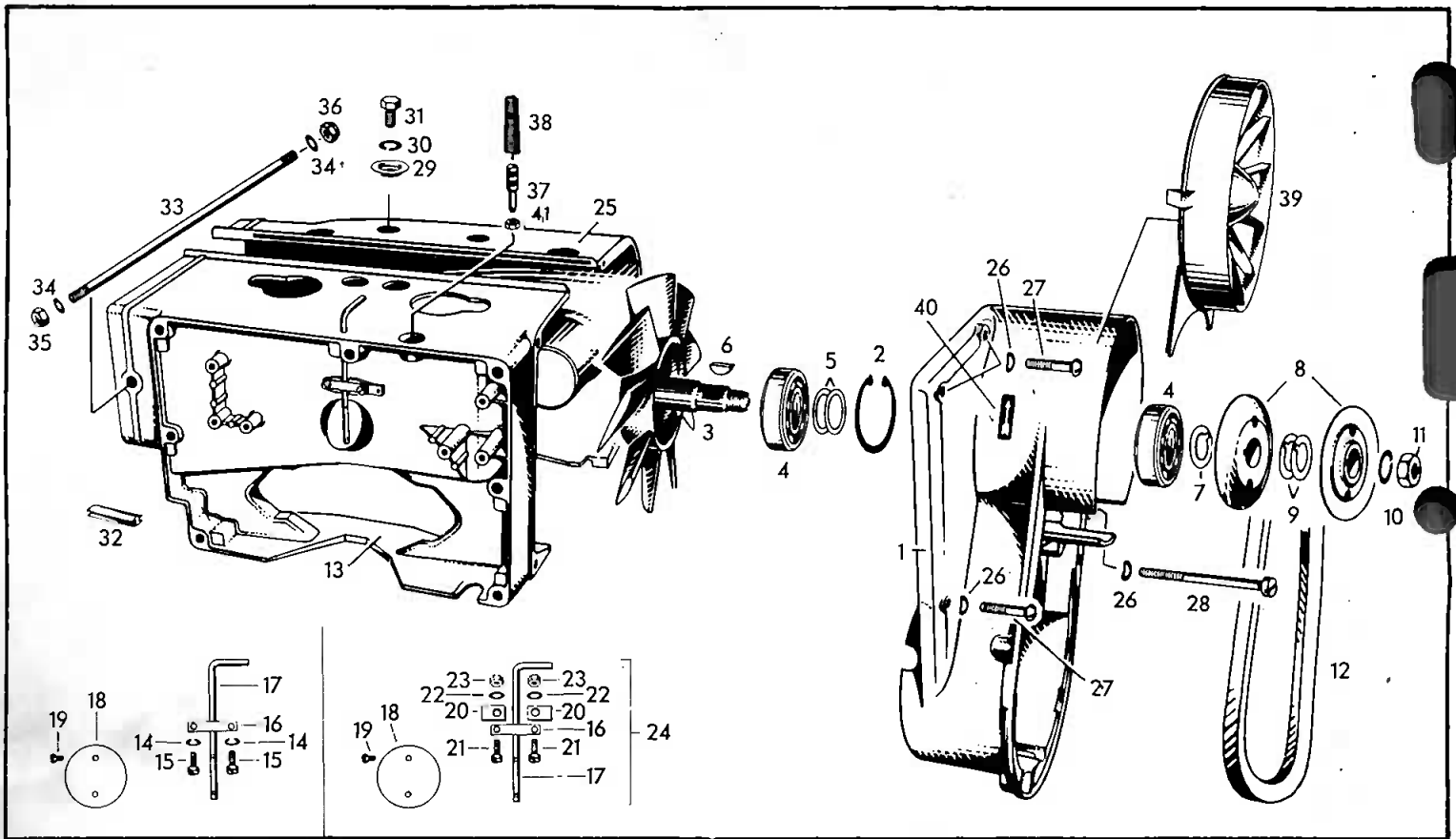


## CYLINDERS, INTAKE MANIFOLD, MUFFLER

ITEM NO.	PART NO.	DESCRIPTION	QUANTITY	
			640 <sup>3</sup>	640 <sup>4</sup>
6	402 2205	Cylinder Head, Magneto Side		1
7	402 0031	Washer, Cylinder Head	8	8
8	402 0018	Hex. Nut M8	3	3
9	402 2145	Distance Nut M8/5/16"	4	4
10	402 2146	Distance Nut M8/1/8 NPT	1	1
11	402 2159	Stud M8 x 41	4	4
12	402 2138	Intake Gasket P.T.O. Side Cylinder	1	1
13	402 2139	Intake Gasket, Magneto Side Cylinder	1	1
14	402 2150	Intake Manifold	1	1
15	402 2140	Ring Gasket	1	1
16	402 2151	Intake Cover	1	1
17	402 0031	Washer	2	2
18	402 2106	Lock Nut M8	2	2
19	404 0212	Tillotson Carb. Fl. Gasket	2	2
20	402 2171	Isolating Flange 20mm Thick	1	1
21	402 2072	Isolating Washer	2	2
22	402 0018	Hex Nut M8	2	2
23	402 2206	Intake Gasket P.T.O. Side		1
24	402 2207	Intake Gasket Magneto Side		1
25	402 2002	Stud M8 x 25		2
26-31	402 2209	Intake Manifold Ass'y		1
27	402 0064	Isolating and Sealing Washer		2
28	402 0065	Joint		2
29	402 0063	Clamp, Plastic Tube		2
30	414 0130	Plastic Line, 120mm		1
31	402 2159	Stud M8 x 41		4
32	402 0031	Washer	2	2
33	402 2106	Lock Nut M8	2	2
34	404 0212	Tillotson Carb. Fl. Gasket		4
35	402 2171	Isolating Flange, 20mm Thick		2
36	402 2072	Isolating Washer		4
37	402 0018	Hex Nut M8		4
38	402 2038	Stud M8 x 19	4	4
39	402 2100	Gasket, Exhaust Flange	2	2
40	402 2113	Exhaust Socket With Flange, P.T.O. Side	1	1
41	402 2109	Exhaust Socket With Flange, Magneto Side	1	1
42	402 0016	Lock Washer 8	4	4
43	402 0018	Hex. Nut M8	4	4
44	402 2194	Muffler Ass'y (Nordic)	1	1
45	402 2195	Inlet Elbow (Nordic)	1	1
46	402 4127	Hex. Screw M6 x 20	2	2
47	402 0015	Lock Washer 6	2	2
48	402 2053	Hex. Nut M6	2	2
49	414 0222	Clamp Ass'y 51φ	3	3
50	402 2214	Muffler Ass'y (Alpine)	1	
51	402 2215	Inlet Tube (Alpine)	1	
52	414 0222	Clamp Ass'y 51φ	3	
53	414 0222	Clamp Ass'y 46φ	1	
54	402 2190	Hex. Screw M8 x 16	1	
55	402 0016	Lock Washer 8	1	
56	402 0018	Hex. Nut M8	1	
57	512 0063	Muffler Bracket (Alpine)	1	

BOMBARDIER LTD./LTEE

# FAN HOUSING, CYLINDER COWLS, FAN V-BELT



ITEM NO.	PART NO.	DESCRIPTION	QUANTITY			
			399 <sup>①</sup>	399 <sup>②</sup>	640 <sup>③</sup>	640 <sup>④</sup>
1	402 0188	Fan Housing . . . . .	1	1		
1	402 0158	Fan Housing . . . . .			1	1
2	402 0118	Locking Ring . . . . .	1	1	1	1
3	402 0154	Fan With Shaft Ass'y . . . . .	1	1		
3	402 0126	Fan With Shaft Ass'y . . . . .			1	1
4	402 0136	Ball Bearing . . . . .	2	2	2	2
5	402 1018	Washer . . . . .	2	2	2	2
6	402 1009	Woodruff Key 3 x 5 . . . . .	1	1	1	1
7	402 0129	Shim . . . . .	1	1	1	1
8	402 0163	Pulley Half . . . . .	2	2	2	2
9	402 0129	Shim . . . . .	4	4	4	4
10	402 1084	Lock Washer 14 . . . . .	1	1	1	1
11	402 1086	Hex. Nut M14 x 1.5 . . . . .	1	1	1	1
12	402 0164	V-Belt . . . . .	1	1		
12	402 0121	V-Belt . . . . .			1	1
13	402 0184	Cylinder Cowl Right . . . . .	1			
13	402 0183	Cylinder Cowl Right . . . . .		1		
13-19	402 0199	Cylinder Cowl. Right With Shutter . . . . .			1	1
14	402 4024	Lock Washer 5 . . . . .			2	2
15	402 0175	Cyl. Screw M5 x 12 . . . . .			2	2
16	402 0195	Leaf Spring Air Shutter . . . . .			1	1
17	402 0194	Shaft Air Shutter . . . . .			1	1

BOMBARDIER LTD./LTEE

FAN HOUSING, CYLINDER COWLS, FAN V-BELT

ITEM NO.	PART NO.	DESCRIPTION	QUANTITY			
			399 <sup>①</sup>	399 <sup>②</sup>	640 <sup>③</sup>	640 <sup>④</sup>
18	402 0193	Air Shutter . . . . .			1	1
19	402 2212	Cyl. Screw M3.5 x 5 . . . . .			2	2
20	402 0192	Plate . . . . .			2	2
21	402 5001	Cyl. Screw M5 x 16 . . . . .			2	2
22	402 4022	Washer 5.3 . . . . .			2	2
23	402 0105	Hex. Stop Nut M5 . . . . .			2	2
24	402 0200	Air Shutter Kit . . . . .			1	1
25	402 0182	Cylinder Cowl Left . . . . .	1	1		
25	402 0190	Cylinder Cowl Left . . . . .			1	1
26	402 0133	Spring Washer B6 . . . . .	4	4	4	4
27	402 0151	Flat Head Screw M6 x 30 . . . . .	3	3	3	3
28	402 2125	Cylinder Screw M6 x 80 . . . . .	1	1	1	1
29	402 0185	Cowl Cover . . . . .	1	1	1	1
30	402 0016	Lock Washer 8 . . . . .	1	1	1	1
31	402 0186	Hex. Screw 5/16" x 15 . . . . .	1	1	1	1
32	402 0196	Profile Rubber Strap 38mm . . . . .	1	1		
32	402 0196	Profile Rubber Strap 32mm . . . . .			1	1
33	402 0150	Stud M6 x 172 . . . . .	1	1		
33	402 2142	Stud M6 x 191 . . . . .			1	1
34	402 4129	Washer 6.2 . . . . .	2	2	2	2
35	402 2169	Locking Nut M6 . . . . .	1	1	1	1
36	402 2104	Lock Nut M6 . . . . .	1	1	1	1
37	402 0147	Adjustment Screw, Gas Cable . . . . .	1	1		
37	402 0174	Adjustment Screw, Gas Cable . . . . .			1	1
38	402 0138	Support Spring . . . . .	1	1	1	1
39	402 0181	Fan Cover . . . . .	1	1		
39	402 0187	Fan Cover . . . . .			1	1
40	402 0092	Direction Plate . . . . .	1	1	1	1
41	402 2053	Hex. Nut M6 . . . . .	1	1		

399<sup>①</sup> For TNT 399

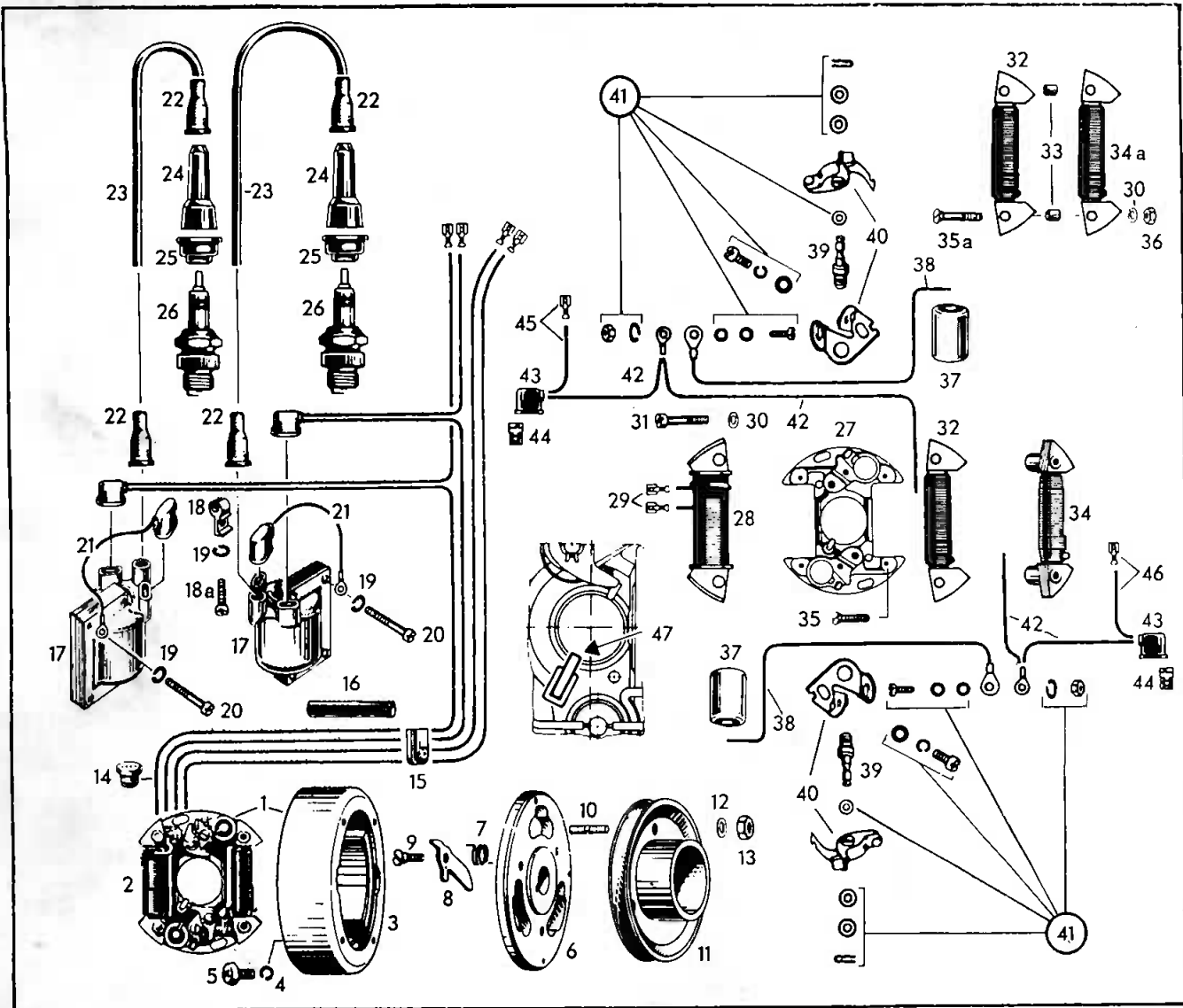
399<sup>②</sup> For Nordic 399-399E

Olympic 399 - Alpine 399R-398ER

640<sup>③</sup> For Nordic 640E

640<sup>④</sup> For TNT 640

MAGNETO GENERATOR 12V 75W, MAGNETO HOUSING



ITEM NO.	PART NO.	DESCRIPTION	QUANTITY			
			399 <sup>①</sup>	399 <sup>②</sup>	640 <sup>③</sup>	640 <sup>④</sup>
1-16	402 4196	Magneto Generator Ass'y 12v 75w .....	1	1		
1	402 4197	Magneto Generator Ass'y 12v 75w .....			1	1
2	402 4198	Armature Plate Ass'y .....	1	1		
2	402 4199	Armature Plate Ass'y .....			1	1
3	402 4167	Magneto Ring .....	1	1	1	1
4	402 0015	Lock Washer .....	4	4	4	4
5	402 4148	Cyl. Screw With Interior Hexagon M6 x 10.5 ..	4	4	4	4
6	402 4149	Magneto Housing .....	1	1	1	1
7	402 4096	Spring, Centrifugal Weight .....	1	1	1	1
8	402 0146	Centrifugal Weight .....	1	1	1	1
9	402 4118	Bearing Screw, Centrifugal Weight .....	1	1	1	1
10	402 5050	Stud M8 x 15 .....	3	3	3	3
11	402 0162	V-Belt Pulley .....	1	1	1	1
12	402 1158	Locking Washer 8 .....	3	3	3	3
13	402 0134	Hex. Nut M8 .....	3	3	3	3

BOMBARDIER LTD./LTEE

MAGNETO GENERATOR 12V 75W, MAGNETO HOUSING

ITEM NO.	PART NO.	DESCRIPTION	QUANTITY			
			399 <sup>①</sup>	399 <sup>②</sup>	640 <sup>③</sup>	640 <sup>④</sup>
14	402 4122	Cable Grommet	1	1	1	1
15	402 4158	Cable Grommet	1	1	1	1
16	402 0168	Rubber Sleeve 55mm	2	2	2	2
17	402 7008	Ignition Coil	2	2		
17	402 7008	Ignition Coil			2	2
18	402 4160	Plastic Clamp, Cables	1	1	1	1
18A	402 0175	Cyl. Screw M5 x 12			1	1
19	402 4024	Lock Washer 5	5	5	7	7
20	402 7004	Cyl. Screw M5 x 22	6	6	6	6
21	402 4153	Mass Cable Ass'y Yellow	1	1		
21	402 7062	Mass Cable Ass'y Yellow 80mm			2	2
22	402 7003	Protection Cap Ignition Coil	2	2	4	4
23	402 4154	Ignition Cable 145mm	2	2		
23	402 4075	Ignition Cable 200mm			2	2
24	402 4076	Spark Plug Protector	2	2		
24	402 7071	Spark Plug Protector			2	2
25	402 4182	Protection Cap			2	2
26	402 4175	Spark Plug W260 T1	2			
26	402 4145	Spark Plug W240 T1		2		
26	402 4080	Spark Plug M280 T31			2	2
27	402 4152	Armature Plate Alone	1	1	1	1
28	402 4155	Lighting Coil With Cables 550mm	1	1	1	1
29	402 4176	Faston Connector	2	2	2	2
30	402 4024	Lock Washer 5	2	2	2	2
31	402 4048	Cyl. Screw M5 x 28	2	2	2	2
32	402 4151	Generator Coil, Bottom, Right Hand Winding	1	1	1	1
33	402 4161	Distance Sleeve	2	2	2	2
34-34A	402 4150	Generator Coil, Top, Left And Winding	1	1	1	1
35	402 4179	Countersunk Screw M5 x 25	2	2	2	2
35A	402 4146	Countersunk Screw M5 x 38	2	2	2	2
36	402 7049	Hex. Nut M5	2	2	2	2
37	402 4068	Condenser	2	2	2	2
38	402 4164	Cable Condenser	2	2	2	2
39	402 4049	Pivot Pin Contact Breaker	2	2	2	2
40	<del>265 4007</del> 402 4050	Contact Points Set 402 4050	2	2	2	2
41	402 7016	Parts Set, Armature Plate	2	2	2	2
42	402 4162	Generator Cable Ass'y, Blue-Black 610-80mm	2	2	2	2
43	402 4159	Rubber Cap	2	2	2	2
44	409 2009	Faston Connector	2	2	2	2
45	402 4193	Shorting Cable, Black 260mm w.Conn.	1	1	1	1
46	402 4192	Shorting Cable, Yellow 365mm w.Conn.	1	1	1	1
47	402 4141	Lubricating Wick	1	1	1	1

399<sup>①</sup> For TNT 399

399<sup>②</sup> For Nordic 399-399E

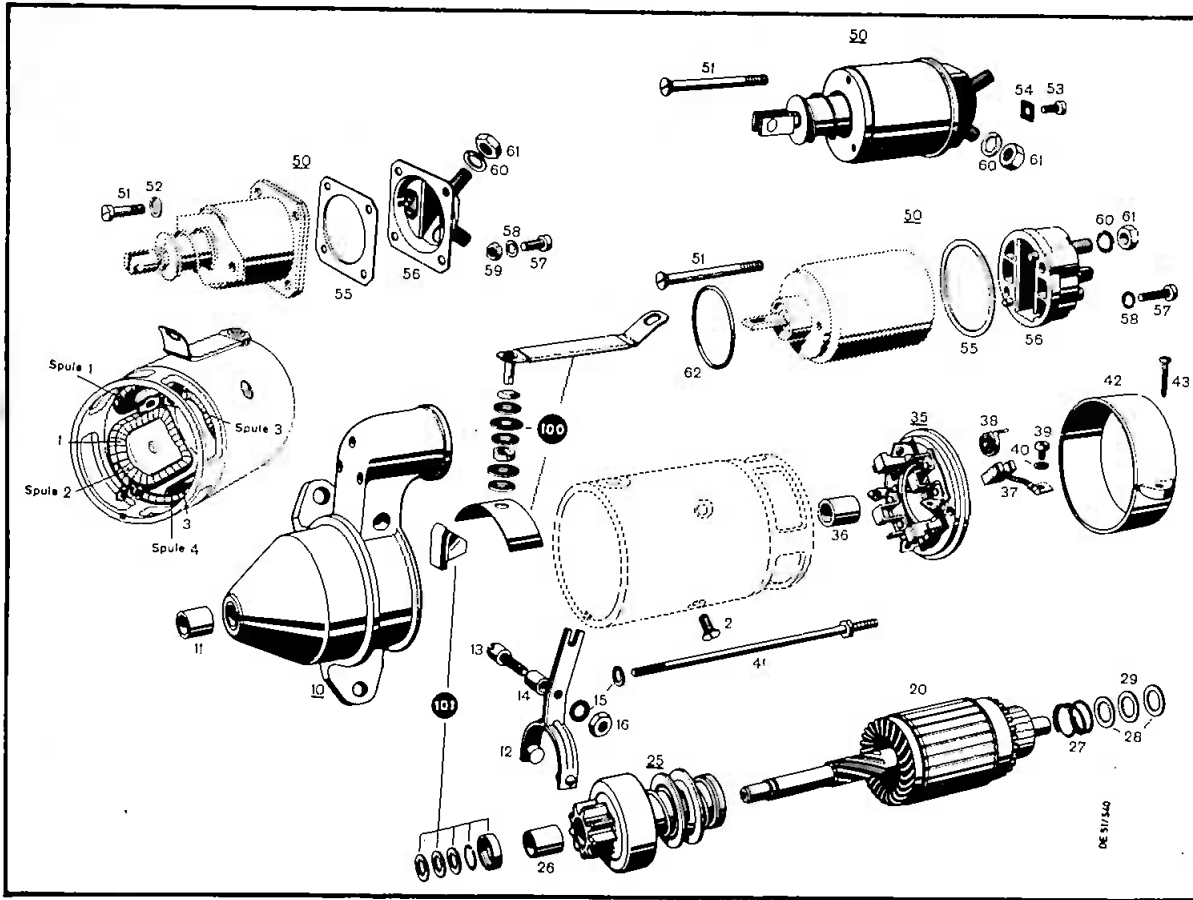
Olympic 399 - Alpine 399R-398ER

640<sup>③</sup> For Nordic 640E

640<sup>④</sup> For TNT 640

BOMBARDIER LTD./LTEE

# ELECTRIC STARTER



ITEM NO.	PART NO.	DESCRIPTION	QUANTITY	
			399 <sup>②</sup>	640 <sup>③</sup>
1	402 7064	Field Winding Coils 3 & 4	1	1
1	402 7065	Field Winding, Coils 1 & 2	1	1
2	402 7073	Countersunk Screw M8 x 10	4	4
2	402 7020	Countersunk Screw M6 x 10	4	4
3	402 7069	Connecting Rail	1	1
10-11	402 7066	Drive End Bracket	1	1
11	402 7023	Bearing Bushing	1	1
12	402 7025	Engaging Lever	1	1
13	402 7026	Screw M5	1	1
14	402 7027	Bushing	1	1
15	402 4024	Lock Washer 5	3	3
16	402 7049	Hex. Nut M5	1	1
20	402 7067	Armature	1	1
25-26	402 7068	Drive Ass'y	1	1
26	402 7024	Bearing Bushing	2	2
27	402 7030	Helical Spring, Armature Brake	1	1
28	402 7032	Washer 10.3/20/0.5	2	2
29	402 7033	Isolating Washer 10.3/16/1	1	1
35	402 7034	Commutator End Bracket Ass'y (With Parts 111. no. 36-40)	1	1
36	402 7023	Bearing Bushing	1	1
37	402 7035	Carbon Brush Set (4 pieces)	1	1

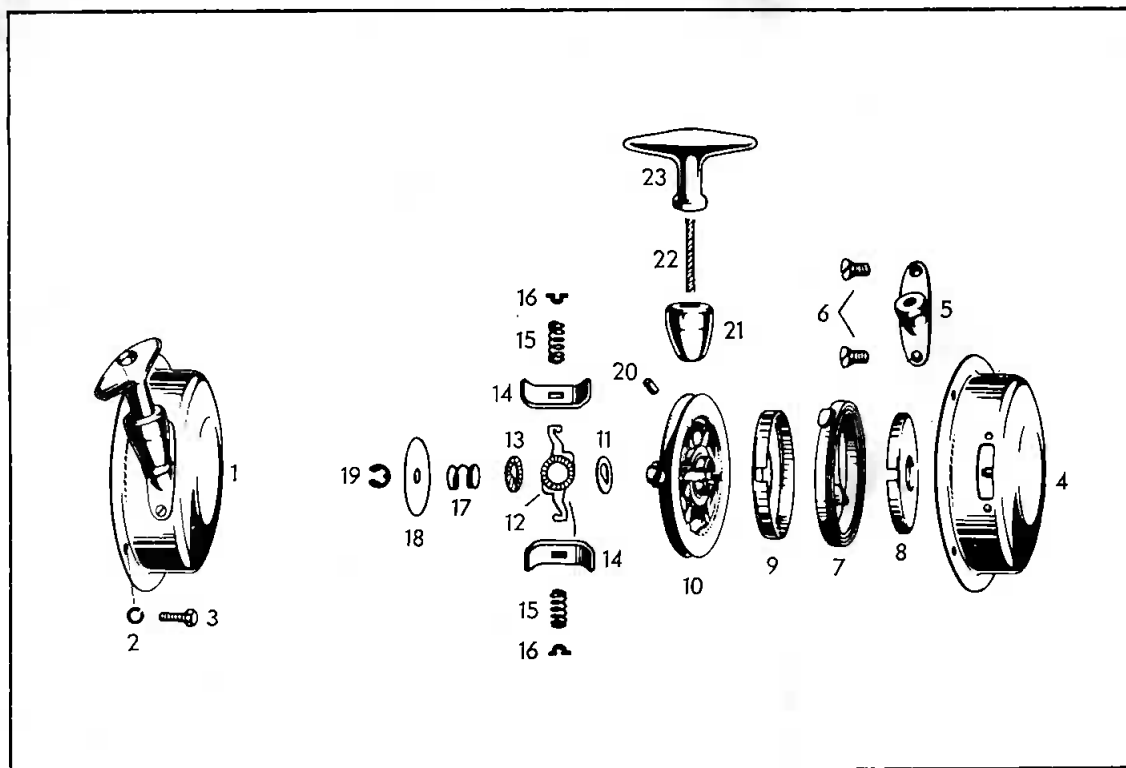
BOMBARDIER LTD./LTEE

# ELECTRIC STARTER

ITEM NO.	PART NO.	DESCRIPTION	QUANTITY	
			399 <sup>②</sup>	640 <sup>③</sup>
38	402 7031	Carbon Brush Spring .....	4	4
39A	402 7036	Cyl. Screw M4 x 8 .....	2	2
39B	402 7037	Cyl. Screw M4 x 6 .....	2	2
40	402 7016	Lock Washer 4 .....	4	4
41	402 7048	Screw M5 .....	2	2
42	402 7040	Closing Band .....	1	1
43	402 2158	Cyl. Screw M4 x 16 .....	1	1
50	402 7041	Relay Ass'y (With Parts Ill. no. 53-59) .....	1	1
51	402 7042	Counter Sunk Screw M5 x 50 .....	3	3
53	402 7036	Cyl. Screw M4 x 8 .....	1	1
54	402 7043	Plate, Terminal 50 .....	1	1
60	402 0016	Lock Washer 8 .....	1	1
61	402 7044	Hex. Nut M8 .....	1	1
100	402 7045	Parts Set For Terminal .....	1	1
101	402 7046	Parts Set For Armature .....	1	1

399<sup>②</sup> For Nordic 399F  
           Alpine 399ER  
 640<sup>③</sup> For Nordic 640F

# REWIND STARTER

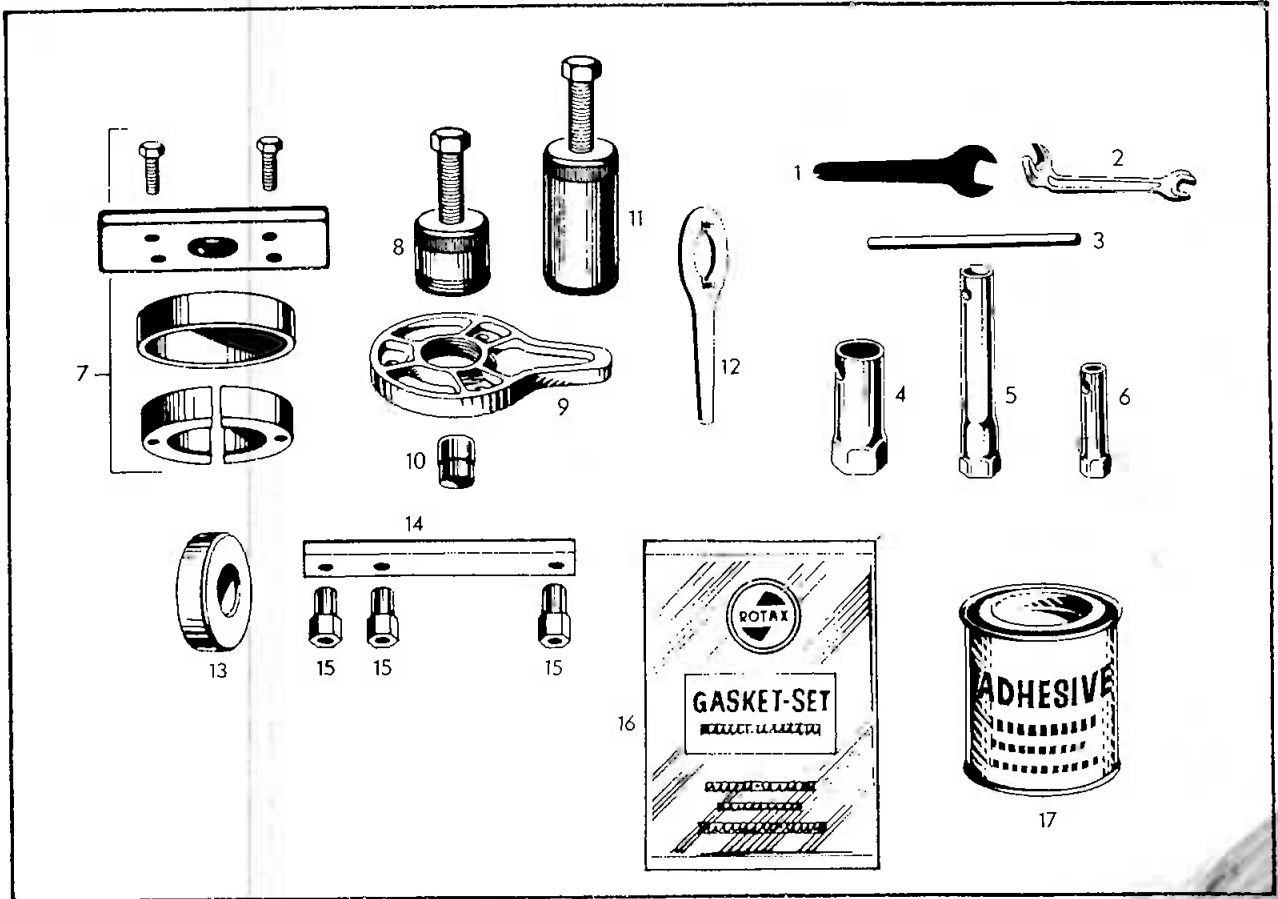


ITEM NO.	PART NO.	DESCRIPTION	QUANTITY			
			399 <sup>①</sup>	399 <sup>②</sup>	640 <sup>③</sup>	640 <sup>④</sup>
1	402 5046	Rewind Starter Ass'y .....	1	1	1	1
2	402 0015	Lock Washer 6 .....	4	4	4	4
3	402 0012	Hex. Screw M6 x 15 .....	4	4	4	4
4	402 7058	Starter Housing .....	1	1	1	1
5	402 5036	Starter Stop .....	1	1	1	1
6	402 5037	Countersunk Screw M5 x 8 .....	2	2	2	2
7-8-9	402 5023	Spring Cartridge Ass'y .....	1	1	1	1
7	402 5022	Rewind Spring .....	1	1	1	1
8	402 5038	Spring Guide .....	1	1	1	1
9	402 5044	Cover, Spring Guide .....	1	1	1	1
10	402 5047	Rope Sheave .....	1	1	1	1
11	402 5026	D-Washer .....	1	1	1	1
12	402 5028	Pivot Arm .....	1	1	1	1
13	402 5027	Friction Washer .....	1	1	1	1
14	402 5029	Pawl .....	2	2	2	2
15	402 5030	Pawl Spring .....	2	2	2	2
16	402 5031	Pawl Spring Stop .....	2	2	2	2
17	402 5032	Friction Spring .....	1	1	1	1
18	402 5033	Cover Washer .....	1	1	1	1
19	402 5034	Circlip .....	1	1	1	1
20	402 5016	Bolt 5 x 6 Starter Rope .....	1	1	1	1
21	402 5039	Rubber Buffer .....	1	1	1	1
22	402 5018	Starter Rope 1200mm .....	1	1	1	1
23	402 5019	Starter Grip .....	1	1	1	1

BOMBARDIER LTD./LTEE



# REPAIR TOOLS



ITEM NO.	PART NO.	DESCRIPTION	QUANTITY			
			399 <sup>①</sup>	399 <sup>②</sup>	640 <sup>③</sup>	640 <sup>④</sup>
1-2-3-4-5-6	402 8054	Tool Set Ass'y	1	1		
1-2-3-4-6	402 8050	Tool Set Ass'y			1	1
1	402 8046	One-End Wrench 11mm	1	1	1	1
2	402 8049	Angular Wrench 10/13mm	1	1	1	1
3	402 8039	Bolt 8 x 130, Socket Wrench	1	1	1	1
4	402 8022	Socket Wrench Spark Plug			1	1
5	402 8048	Socket Wrench, Spark Plug	1	1		
6	402 8024	Socket Wrench 13mm	1	1	1	1
7	402 8001	Remover Ass'y, Bearing 6305	1	1		
7	402 8002	Remover Ass'y, Bearing 6306			1	1
8	402 8044	Puller Ass'y Flywheel	1	1	1	1
9	402 8045	Wrench to Hold Magneto Housing	1	1	1	1
10	402 8005	Protection Cap	1	1	1	1
11	402 8055	Puller Ass'y, Starter Gear	1	1	1	1
12	402 8053	Wrench to Hold Puller Halves	1	1	1	1
13	402 1207	Crankshaft Ring	1	1		
13	402 1208	Crankshaft Ring			1	1
14	402 8057	Cylinder Aligning Tool	1	1	1	1
15	402 8056	Nut M8 Cylinder Aligning	3	3	3	3
16	402 9013	Gasket Set Ass'y	1	1		
16	402 9014	Gasket Set Ass'y			1	1
17	402 9015	Adhesive Isarplast 1700, Can.	1	1	1	1

BOMBARDIER LTD./LTEE

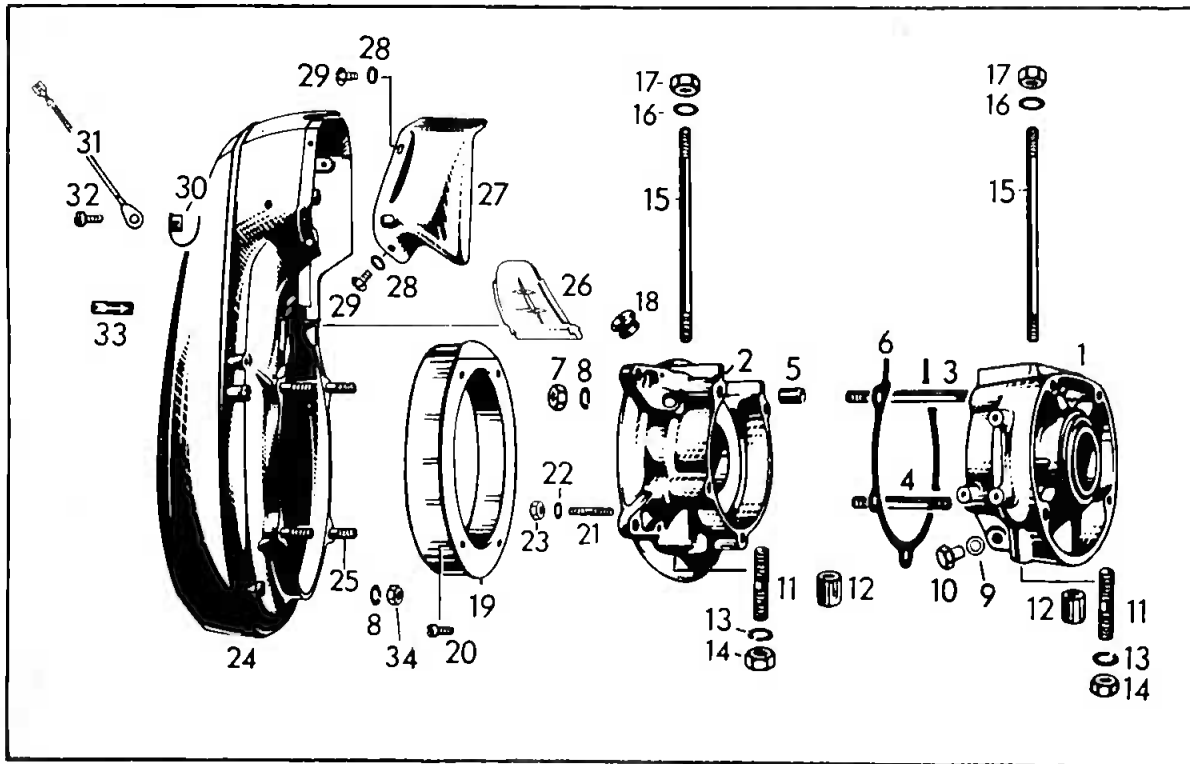


# ROTAX ENGINE

1970

292 FOR TNT 292-292S  
300 FOR OLYMPIC 12/3  
335 FOR OLYMPIC 335-335E  
340 FOR TNT 340 - 340S

CRANKCASE, FAN COWL



ITEM NO.	PART NO.	DESCRIPTION	QUANTITY			
			292	300	335	340
1-2-3-4-5	402 0201	Crankcase Ass'y .....	1			
1-2-3-4-5	402 0005	Crankcase Ass'y .....		1		
1-2-3-4-5	402 0166	Crankcase Ass'y, (Engine Without Electric Starter) .....			1	1
1-2-3-4-5	402 0140	Crankcase Ass'y (Engine With Electric Starter) .			1	
3	402 0007	Stud M8 x 56 .....	2	2	2	2
4	402 0009	Stud M8 x 46 .....	3	3	3	3
5	402 1015	Dowel Tube 10 $\phi$ x 15 .....	2	2	2	2
6	402 0014	Gasket, Crankcase .....	1	1	1	1
7	402 0018	Hex. Nut M8 .....	5	5	5	5
8	402 0016	Lock Washer 8 Crankcase .....	5	5	5	5
9	402 0019	Sealing Ring .....	1	1	1	1
10	402 0020	Hex. Screw M8 x 9, Oil Drain .....	1	1	1	1
11	402 0023	Stud M10 x 42, Engine Base .....	4	4	4	4
12	402 0091	Distance Sleeve .....	4	4	4	4
13	402 0025	Lock Washer 10 .....	4	4	4	4
14	402 0026	Hex. Nut M10 .....	4	4	4	4
15	402 0076	Stud M8 x 171 .....	4	4	4	4
16	402 0031	Washer .....	4	4	4	4

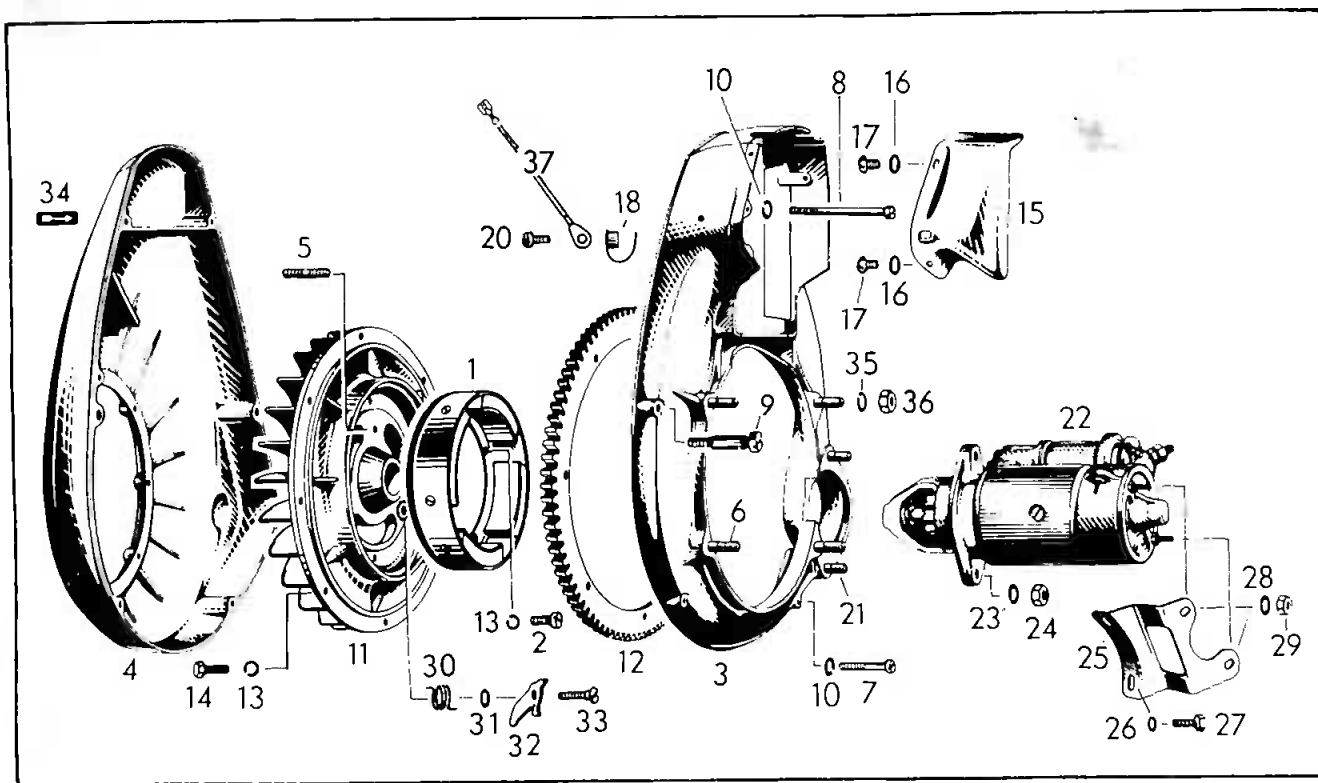
BOMBARDIER LTD./LTEE

**CRANKCASE, FAN COWL**

ITEM NO.	PART NO.	DESCRIPTION	QUANTITY			
			292	300	335	340
17	402 0018	Hex. Nut M8 . . . . .	4	4	4	4
18	402 0028	Cable Grommet, Ignition Cable (Engine Without Electric Starter) . . . . .	1	1	1	1
18	402 4157	Cable Grommet, Ignition Cable (Engine With Electric Starter) . . . . .			1	
19	402 0141	Labyrinth Ring . . . . .	1	1	1	1
20	402 0040	Cyl. Screw M6 x 10 . . . . .	4	4	4	4
21	402 5001	Cyl. Screw M5 x 16, Armature Plate . . . . .	3	3		
21	409 2009	Stud M5 x 11.5, Armature Plate . . . . .			3	3
22	402 4024	Lock Washer 5 . . . . .	3	3		
22	402 4133	Washer 5.3 . . . . .			3	3
23	402 4022	Washer 5.3 . . . . .	3	3		
23	402 0105	Lock Nut M5 . . . . .			3	3
24-25-26	402 0137	Fan Cowl Ass'y . . . . .	1	1	1	1
25	402 2002	Stud M8 x 25 . . . . .	4	4	4	4
26	402 0100	Plastic Baffle . . . . .	1	1	1	1
27	402 0094	Air Deflector . . . . .	1	1	1	
28	402 3037	Spring Washer B5 . . . . .	2	2	2	
29	402 5045	Flat Headed Screw M5 x 8 . . . . .	2	2	2	
30	402 0061	Cable Clamp . . . . .	1	1	1	1
31	402 0197	Mass Cable Ass'y. Yellow, 130mm . . . . .	1	1	1	1
32	402 0057	Cyl. Screw M3 x 16 . . . . .	1	1	1	1
33	402 0092	Direction Plate . . . . .	1	1	1	1
34	402 0018	Hex. Nut M8 . . . . .	4	4	4	4

292 FOR TNT 292  
 300 FOR OLYMPIC 12/3  
 335 FOR OLYMPIC 335-335E  
 340 FOR TNT 340

ELECTRIC STARTER, FAN COWL AND FAN



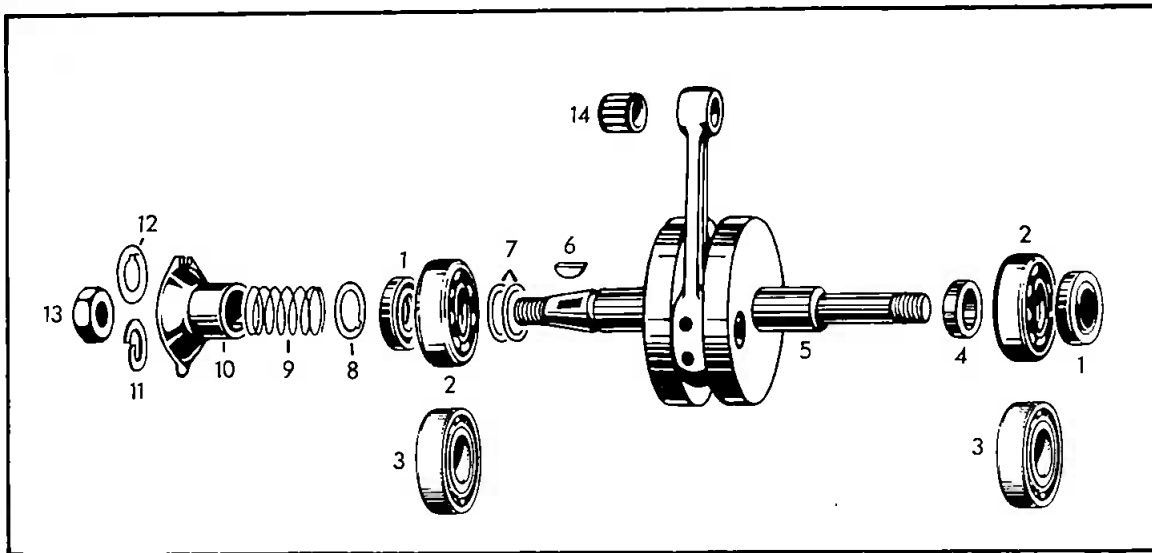
ITEM NO.	PART NO.	DESCRIPTION	QUANTITY
			335E
1	402 4167	Magneto Ring . . . . .	1
2	402 2208	Cyl. Screw W. Int. Hex. M6 x 14 . . . . .	4
3-4-6-10	402 0143	Fan Cowl Ass'y . . . . .	1
3	402 0144	Fan Cowl . . . . .	1
4	402 0099	Cover, Fan Cowl . . . . .	1
5	402 4089	Stud M6 x 15, Starting Pulley . . . . .	2
6	402 2002	Stud M8 x 25 . . . . .	4
7	402 0069	Cyl. Screw M6 x 28 . . . . .	3
8	402 0145	Cyl. Screw M6 x 73 . . . . .	1
9	402 0070	Hex. Fit Bolt M6 . . . . .	2
10	402 0015	Lock Washer 6 . . . . .	4
11	402 0102	Fan Ass'y . . . . .	1
12	402 4011	Gear Wheel 101t . . . . .	1
13	402 0015	Lock Washer 6, Gear Wheel . . . . .	8
		Magneto Ring . . . . .	4
14	402 5012	Hex. Screw M6 x 15 . . . . .	8
15	402 0094	Air Deflector . . . . .	1
16	402 3037	Spring Washer B5 . . . . .	2
17	402 5045	Flat Headed Screw M5 x 8 . . . . .	2
18	402 0061	Cable Clamp . . . . .	1
20	402 0057	Cyl. Screw M3 x 16 . . . . .	1
21	402 2003	Stud M8 x 18 . . . . .	2
22	402 4005	Electric Starter Ass'y . . . . .	1
23	402 0016	Lock Washer 8 . . . . .	2
24	402 0134	Hex. Nut M8 . . . . .	2

BOMBARDIER LTD./LTEE

ELECTRIC STARTER, FAN COWL AND FAN

ITEM NO.	PART NO.	DESCRIPTION	QUANTITY
			335E
25	402 0103	Starter Bracket .....	1
26	402 0104	Washer 6,2 .....	2
27	402 5012	Hex. Screw M6 x 16, Starter Bracket On Crankcase .....	2
28	402 4022	Washer 5,3 .....	2
29	402 0105	Lock Nut M5 .....	2
30	402 4096	Spring Centrifugal Weight .....	1
31	402 7001	Washer 6,2 .....	1
32	402 0146	Centrifugal Weight .....	1
33	402 4094	Bearing Screw M6 .....	1
34	402 0092	Direction Plate .....	1
35	402 0016	Lock Washer 8 .....	4
36	402 0018	Hex. Nut M8 .....	4
37	402 0197	Mass Cable Ass'y, Yellow, 130mm .....	1

# CRANKSHAFT, BEARINGS



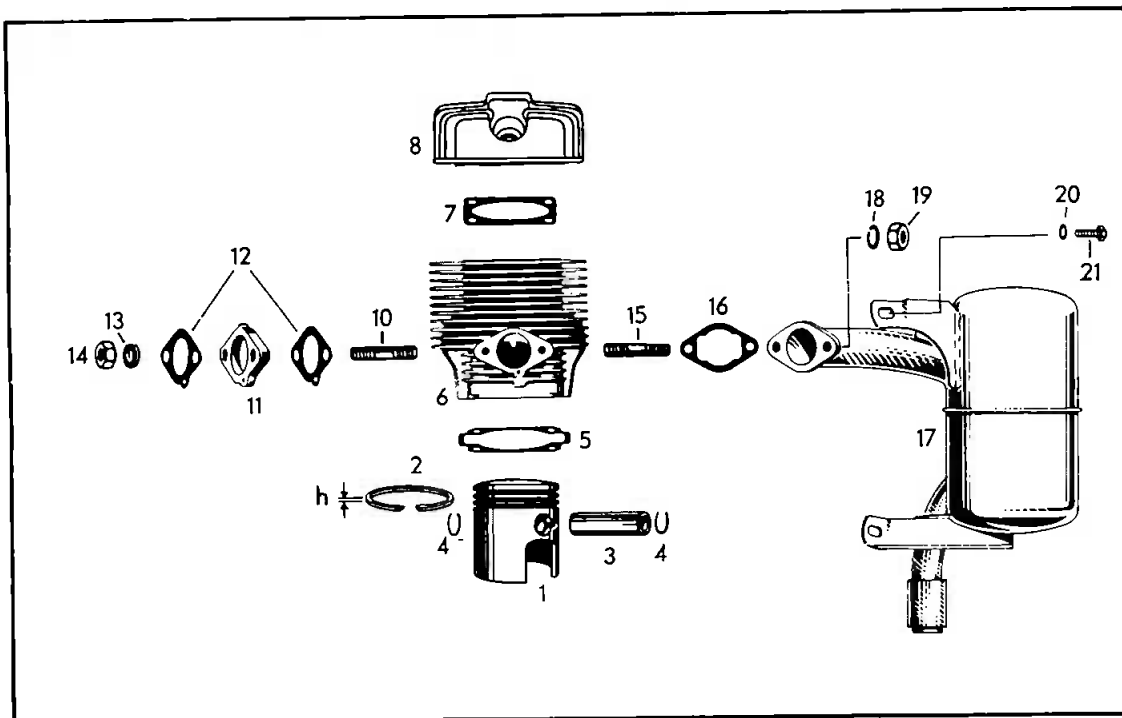
ITEM NO.	PART NO.	DESCRIPTION	QUANTITY	
			292 300	335 340
1	402 1002	Oil Seal, . . . . .	2	2
2	402 1005	Deep Groove Ball Bearing . . . . .	2	
3	402 1124	Roller Bearing . . . . .		2
4	402 1012	Distance Sleeve . . . . .	1	
5	402 1030	Crankshaft Ass'y . . . . .	1	
5	402 1125	Crankshaft Ass'y . . . . .		1
6	402 1010	Key 5 x 6, 5 . . . . .	1	1
7	402 1023	Shim 0,2mm . . . . .	As req'd	As Req'd
	402 1024	Shim 0,3mm . . . . .	"	"
	402 1025	Shim 0,5mm . . . . .	"	"
	402 1026	Shim 1,0mm . . . . .	"	"
	402 1126	Shim 0,1mm . . . . .	"	"
8	402 1035	Washer, Cam Spring . . . . .	1	1
9	402 1036	Spring, Breaker Cam . . . . .	1	1
10	402 1127	Breaker Cam . . . . .	1	1
11	402 1095	Lock Washer 18, Engine With Electric Starter 335 . . . . .		1
12	402 1040	Lock Washer, Engine Without Electric Starter . . . . .	1	1
13	402 1043	Hex. Nut M18 x 1,5 . . . . .	1	1
14	402 1033	Needle Cage . . . . .	1	1

292 FOR TNT 292  
 300 FOR OLYMPIC 12/3  
 335 FOR OLYMPIC 335-335E  
 340 FOR TNT 340





**CYLINDER, PISTON, MUFFLER**



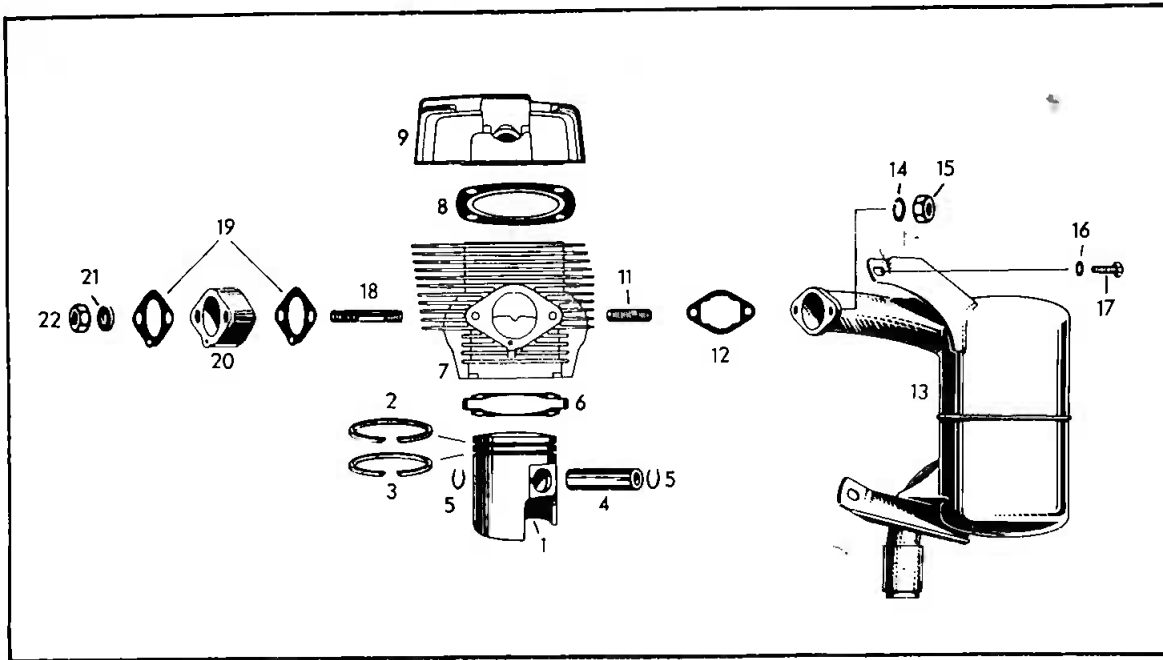
ITEM NO.	PART NO.	DESCRIPTION	QUANTITY	
			300	335
1-2	402 1057	Piston With 3 Rings, 76.0 $\phi$ Std. . . . .	1	
	402 1058	Piston With 3 Rings, 76.5 $\phi$ 1st Oversize . . . . .	1	
	402 1091	Piston With 3 Rings, 77.0 $\phi$ 2nd Oversize . . . . .	1	
	402 1145	Piston With 3 Rings, 77.5 $\phi$ 3rd. Oversize . . . . .	1	
	402 1159	Piston With 3 Rings, 78.0 $\phi$ 4th. Oversize . . . . .	1	
	402 1190	Piston With Rings 78.0 $\phi$ Std. . . . .		1
	402 1191	Piston With Rings. 78.5 $\phi$ 1st. Oversize . . . . .		1
2	402 1092	Rectangular Ring 76.0 $\phi$ Std. (h = .08 in). . . . .	3	
	402 1093	Rectangular Ring 76.5 $\phi$ 1st Oversize (h = .08in.) . . . . .	3	
	402 1094	Rectangular Ring 77.0 $\phi$ 2nd. Oversize (h = .08 in.) . . . . .	3	
	402 1157	Rectangular Ring 77.5 $\phi$ 3rd. Oversize (h = .08 in) . . . . .	3	
	402 1188	Rectangular Ring 78.0 $\phi$ 4th. Oversize (h = .08 in) . . . . .	3	
	402 1171	Rectangular Ring 78.0 $\phi$ Std. . . . .		2
	402 1172	Rectangular Ring 78.5 $\phi$ 1st Oversize . . . . .		2
3	402 1064	Gudgeon Pin . . . . .	1	1
4	402 1067	Circlip, Gudgeon Pin . . . . .	2	2
5	402 2008	Gasket, Cylinder Flange . . . . .	1	
5	402 2123	Gasket, Cylinder Flange . . . . .		1
6	402 2014	Cylinder Without Studs . . . . .	1	
6	402 2196	Cylinder With Sleeve . . . . .		1
7	402 2031	Gasket, Cylinder Head . . . . .	1	
7	402 2101	Gasket, Cylinder Head . . . . .		1
8	402 2152	Cylinder Head . . . . .	1	
8	402 2197	Cylinder Head . . . . .		1
10	402 2002	Stud M8 x 25 . . . . .	2	2
11	402 2131	Isolating Flange . . . . .	1	1
12	404 0039	Tillotson Carburator Flange Gasket . . . . .	2	2

CYLINDER, PISTON, MUFFLER

ITEM NO.	PART NO.	DESCRIPTION	QUANTITY	
			300	335
13	402 2072	Isolating Washer .....	2	2
14	402 0018	Hex. Nut M8 .....	2	2
15	402 2037	Stud M8 x 19.5 .....	2	
15	402 2038	Stud M8 x 19 .....		2
16	402 2043	Gasket, Muffler .....	1	
16	402 2089	Gasket, Exhaust Flange .....		1
17	402 2121	Muffler Ass'y .....	1	
17	402 2119	Muffler Ass'y .....		1
18	402 0016	Lock Washer 8 .....	2	2
19	402 0018	Hex. Nut M8 .....	2	2
20	402 0031	Washer .....	1	1
21	402 2001	Hex. Screw M8 x 20 .....	1	1

300 FOR OLYMPIC 12/3  
 335 FOR OLYMPIC 335-335E

# CYLINDER, PISTON, MUFFLER



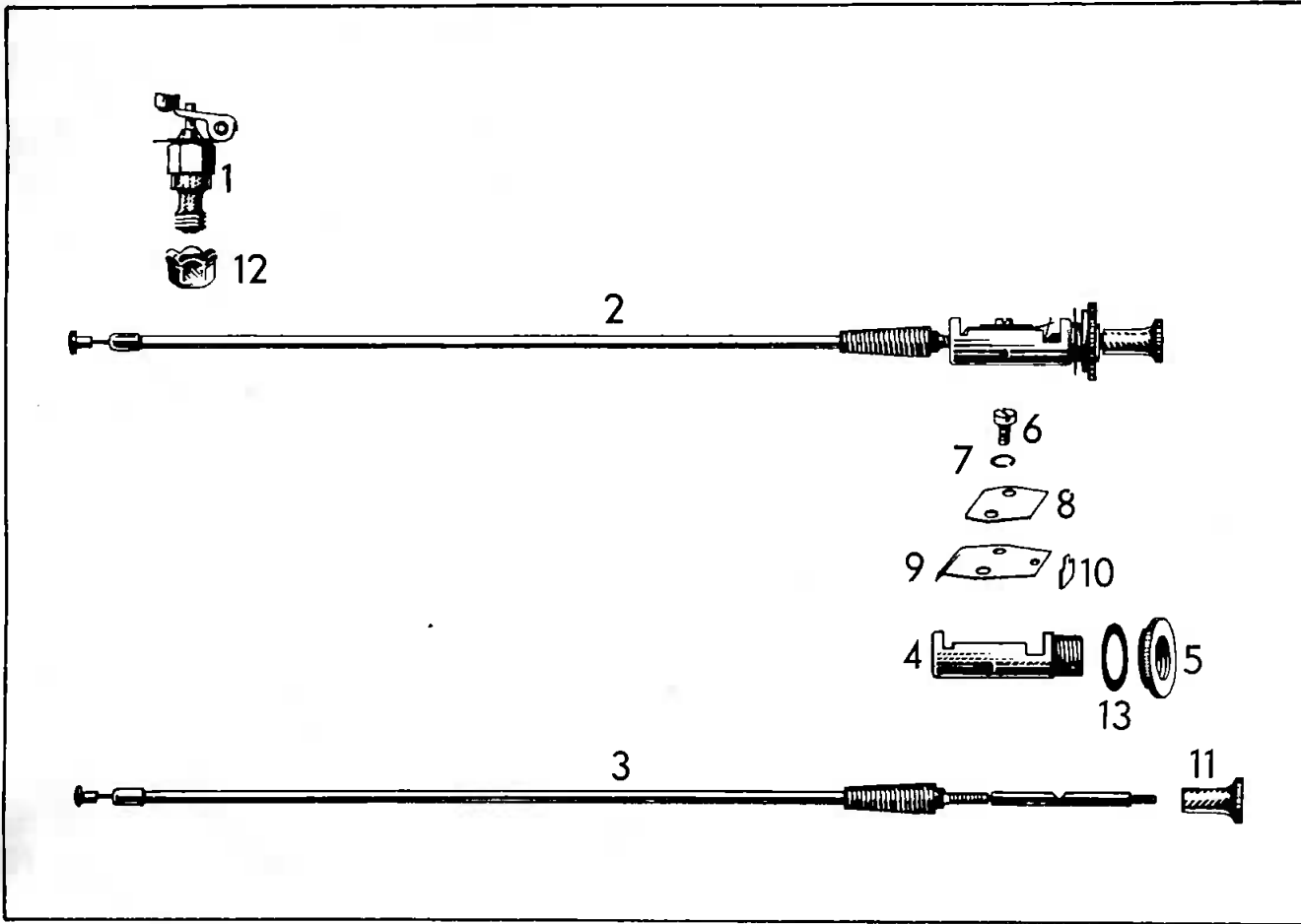
ITEM NO.	PART NO.	DESCRIPTION	QUANTITY	
			292	340
1-2-3	402 1161	Piston With Rings 75.0 $\phi$ Std. . . . .	1	
	402 1166	Piston With Rings 75.5 $\phi$ 1st. Oversize . . . . .	1	
	402 1168	Piston Ass'y With Rings 78.0 $\phi$ std. . . . .		1
	402 1173	Piston Ass'y With Rings 78.5 $\phi$ 1st Oversize . . . . .		1
2	402 1162	L-Ring 75.0 $\phi$ Std. . . . .	1	
	402 1163	L-Ring 75.5 $\phi$ 1st Oversize . . . . .	1	
	402 1169	L-Ring 78.0 $\phi$ Std. . . . .		1
	402 1170	L-Ring 78.5 $\phi$ 1st Oversize . . . . .		1
3	402 1164	Rectangular Ring 75.0 $\phi$ Std. . . . .	1	
	402 1165	Rectangular Ring 75.5 $\phi$ 1st Oversize . . . . .	1	
	402 1171	Rectangular Ring 78.0 $\phi$ Std. . . . .		1
	402 1172	Rectangular Ring 78.5 $\phi$ 1st Oversize . . . . .		1
4	402 1064	Gudgeon Pin . . . . .	1	1
5	402 1067	Circlip . . . . .	2	2
6	402 2088	Gasket, Cylinder Flange . . . . .	1	
6	402 2123	Gasket, Cylinder Flange . . . . .		1
7	402 2186	Cylinder With Sleeve . . . . .	1	
7	402 2187	Cylinder With Sleeve . . . . .		1
8	402 2220	Gasket, Cylinder Head . . . . .	1	
8	402 2101	Gasket, Cylinder Head . . . . .		1
9	402 2173	Cylinder Head . . . . .	1	
9	402 2175	Cylinder Head . . . . .		1
11	402 2038	Stud M8 x 19 . . . . .	2	2
12	402 2089	Gasket, Exhaust Flange . . . . .	1	
12	402 2100	Gasket, Exhaust Flange . . . . .		1
13	402 2119	Muffler Ass'y . . . . .	1	
13	402 2198	Muffler Ass'y . . . . .		1
14	402 0016	Lock Washer 8 . . . . .	2	2
15	402 0018	Hex Nut M8 . . . . .	2	2

CYLINDER, PISTON, MUFFLER

ITEM NO.	ITEM NO.	DESCRIPTION	QUANTITY	
			292	340
16	402 0031	Washer . . . . .	1	1
17	402 2001	Hex. Screw M8 x 20 . . . . .	1	1
18	402 2159	Stud M8 x 41 . . . . .	2	2
19	404 0212	Tillotson Carburetor Flange Gasket . . . . .	2	2
20	402 2171	Isolating Flange 20mm Thick . . . . .	1	1
21	402 2072	Isolating Washer . . . . .	2	2
22	402 0018	Hex. Nut M8 . . . . .	2	2

292 FOR TNT 292  
 340 FOR TNT 340

# DECOMPRESSOR

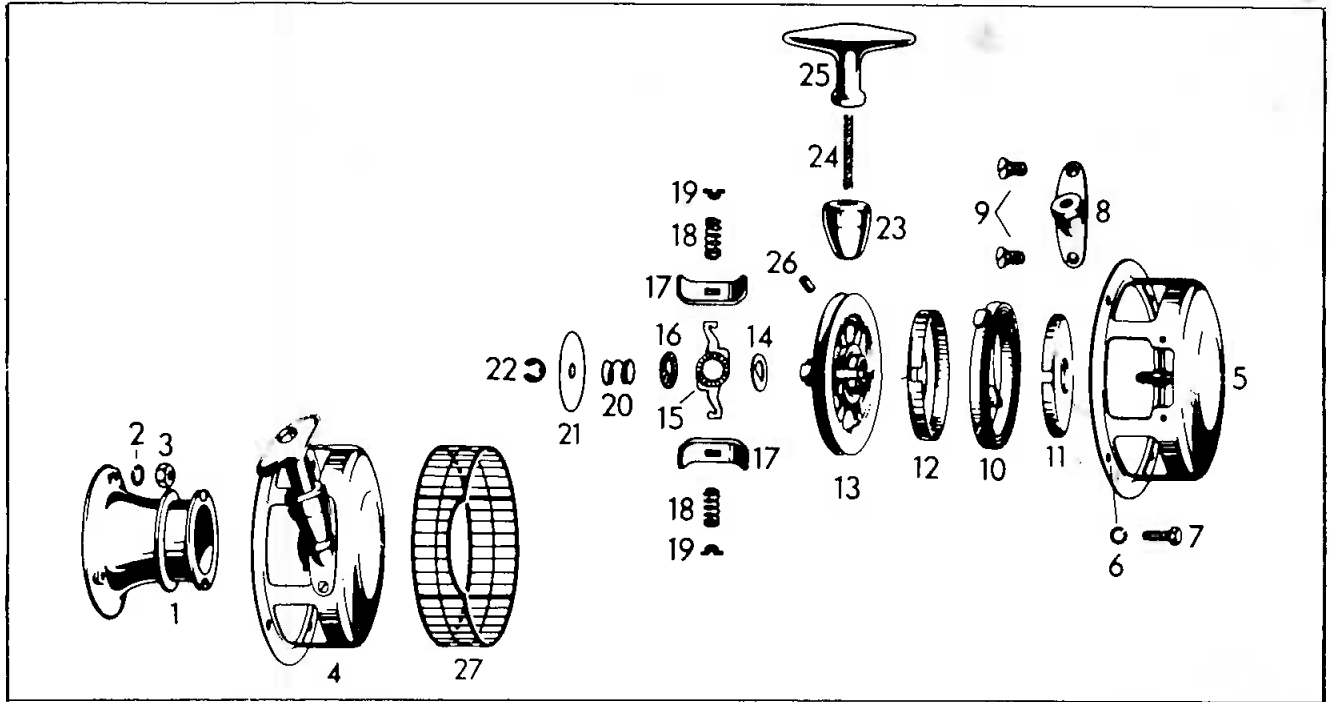


ITEM NO.	PART NO.	DESCRIPTION	QUANTITY	
			300	335
1	402 6004	Decompressor Ass'y . . . . .		1
2	402 6017	Decompressor Switch Ass'y With Cable 320/372mm . . . . .		1
3	402 6006	Switch Bolt With Cable 320/372mm . . . . .		1
4-5-13	402 6005	Switch Housing With Washer And Nut . . . . .		1
5	402 6014	Knurled Nut M16 x 1 . . . . .		1
6	402 6011	Cyl. Screw M4 x 7 . . . . .		2
7	402 4023	Lock Washer 4 . . . . .		2
8	402 6010	Reinforcement Spring . . . . .		2
9	402 6008	Switch Spring . . . . .		1
10	402 6009	Lock Spring . . . . .		1
11	402 6018	Switch Button . . . . .		1
12	402 6015	Locking And Sealing Sleeve . . . . .		1
13	402 6016	Washer . . . . .		1

300 FOR OLYMPIC 12/3  
335 FOR OLYMPIC 335-335E

BOMBARDIER LTD./LTEE

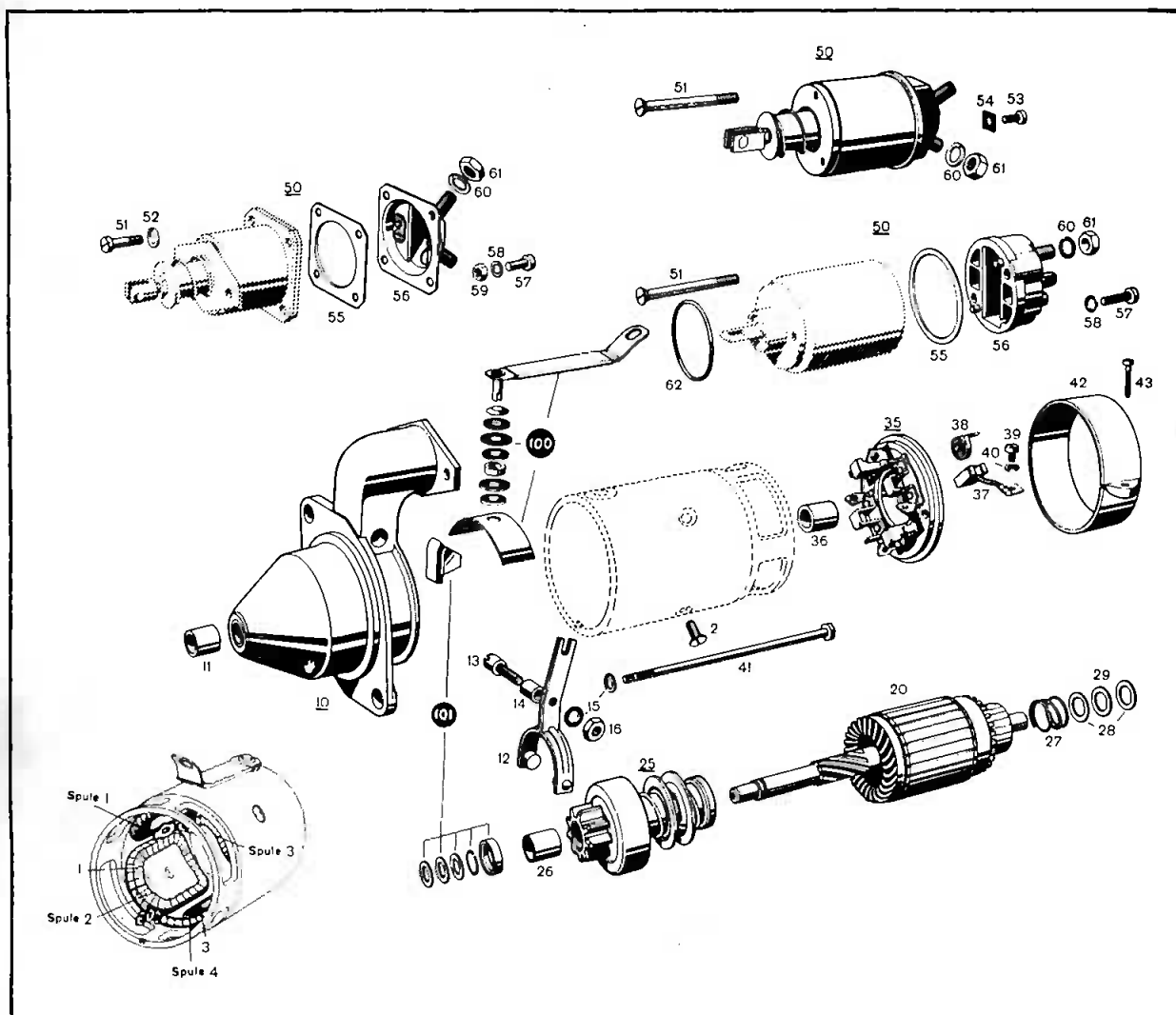
# STARTING PULLEY, REWIND STARTER



ITEM NO.	PART NO.	DESCRIPTION	QUANTITY			
			292	300	335	340
1	402 5003	Starting Pulley				1
2	402 0015	Lock Washer 6				3
3	402 2053	Hex. Nut M6				3
4	402 5005	Rewind Starter Ass'y				1
5	402 5035	Starter Housing				1
6	402 0015	Lock Washer 6				4
7	402 5012	Hex. Screw M6 x 15				4
8	402 5036	Starter Stop				1
9	402 5037	Countersunk Screw M5 x 8				2
10-11-12	402 5023	Spring Cartridge Ass'y				1
10	402 5022	Rewind Spring				1
11	402 5038	Spring Guide				1
12	402 5044	Cover Spring Guide				1
13	265 2003	Rope Sheave				1
14	402 5026	D-Washer				1
15	402 5028	Pivot Arm				1
16	402 5027	Friction Washer				1
17	402 5029	Pawl				2
18	402 5030	Pawl Spring				2
19	402 5031	Pawl Spring Stop				2
20	402 5032	Friction Spring				1
21	402 5033	Washer				1
22	402 5034	Circlip				1
23	402 5039	Rubber Buffer				1
24-25	402 5017	Starter Rope With Grip				1
24	402 5018	Starter Rope 1200mm				1
25	402 5019	Starter Grip				1
26	402 5016	Bolt 5/8 x 6mm, Starter Rope				1
27	402 5042	Protection Sieve				1

BOMBARDIER LTD./LTEE

# ELECTRIC STARTER, SPARE PARTS



ITEM NO.	PART NO.	DESCRIPTION	QUANTITY
			335E
1	402 7052	Field Winding, Coils 1 & 2	1
1	402 7053	Field Winding, Coils 3 & 4	1
2	402 7020	Countersunk Screw M6 x 10	4
2	402 7073	Countersunk Screw M8 x 10	4
3	402 7069	Connecting Rail	1
10-11	402 7050	Drive End Bracket Ass'y	1
11	402 7023	Bearing Bushing	1
12	402 7025	Engaging Lever	1
13	402 7026	Screw M5	1
14	402 7027	Bushing	1
15	402 4024	Lock Washer 5	3
16	402 7049	Hex. Nut M5	1
20	402 7056	Armature	1
25-26	402 7029	Drive Ass'y	1
26	402 7024	Bearing Bushing	2
27	402 7030	Helical Spring, Armature Brake	1

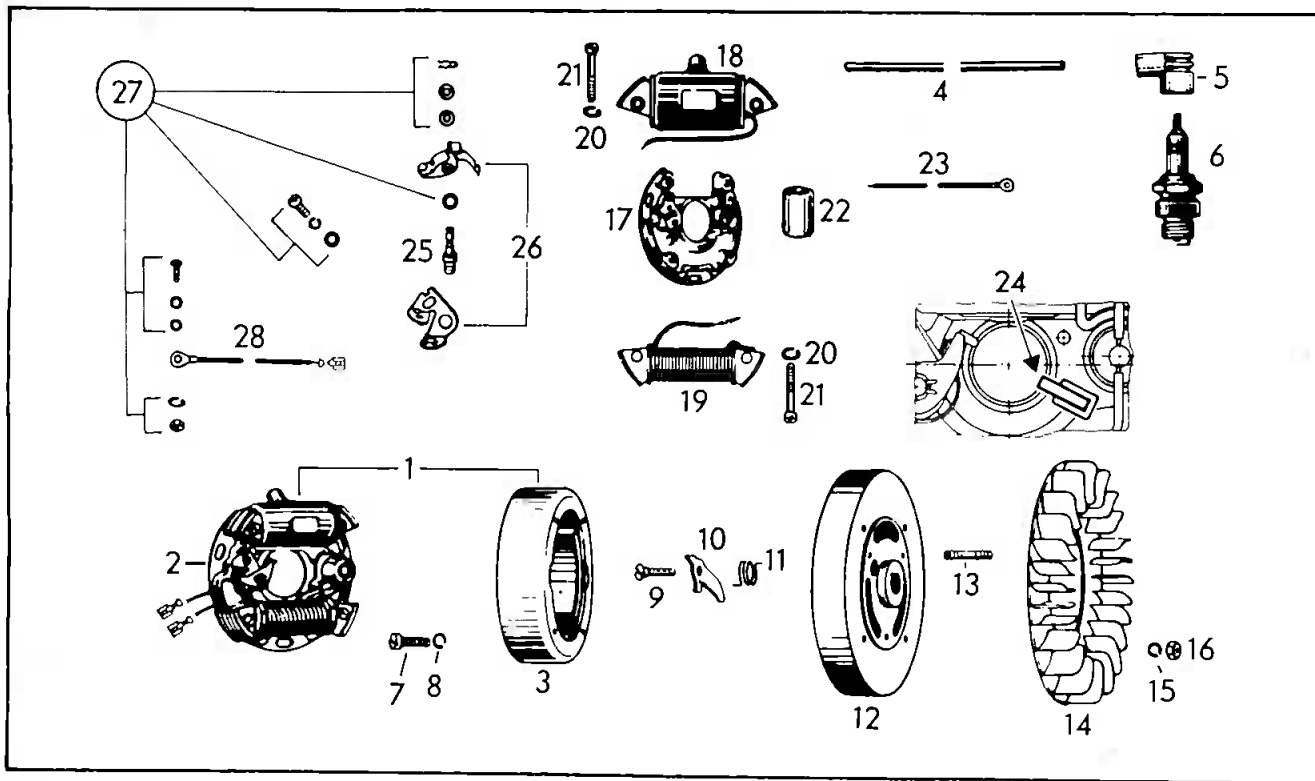
BOMBARDIER LTD./LTEE



ELECTRIC STARTER, SPARE PARTS

ITEM NO.	PART NO.	DESCRIPTION	QUANTITY
			335E
28	402 7032	Washer 10,3	2
29	402 7033	Isolating Washer 10,3	1
35	402 7034	Commutator End Bracket Ass'y	1
36	402 7023	Bearing Bushing	1
37	402 7035	Carbon Brush Set, 4 Pieces	1
38	402 7031	Carbon Brush Spring	4
39A	402 7036	Cyl. Screw M4 x 8	2
39B	402 7037	Cyl. Screw M4 x 6	2
40	402 4023	Lock Washer 4	4
41	402 7048	Screw M5	2
42	402 7040	Closing Band	1
43	402 2158	Cyl. Screw M4 x 16	1
50	402 7041	Relay Ass'y	1
51	402 7042	Countersunk Screw M5 x 50	3
53	402 7036	Cyl. Screw M4 x 8	1
54	402 7043	Plate	1
60	402 0016	Lock Washer 8	1
61	402 7044	Hex. Nut M8	1
100	402 7045	Parts Set For Terminal	1
101	402 7046	Parts Set For Armature	1

MAGNETO GENERATOR 12V 40W



ITEM NO.	PART NO.	DESCRIPTION	QUANTITY			
			292	300	330	340
1	402 4195	Magneto Generator Ass'y 12V 40W			1	
2	402 4202	Armature Plate Ass'y			1	
3	402 4019	Magneto Ring			1	
4	402 4106	Ignition Cable 480mm			1	
5	402 4076	Spark Plug Protector			1	
6	402 4080	Spark Plug M280 T31 (Engines Types 290 and 340)			1	
6	402 4079	Spark Plug M240 T1 (Engines Types 300 and 335)			1	
7	402 4027	Cyl. Screw W. Int. Hex. M6 x 22			4	
8	402 0015	Lock Washer 6			4	
9	402 4094	Screw M6, Bearing Centrifugal Weight			1	
10	402 0146	Centrifugal Weight			1	
11	402 4096	Spring, Centrifugal Weight			1	
12	402 4032	Magneto Housing			1	
9-12	402 4105	Magneto Housing Ass'y			1	
13	402 4089	Stud M6 x 15, Starting Pulley			2	
14	402 4034	Fan			1	
15	402 0015	Lock Washer 6			4	
16	402 2053	Hex. Nut M6			4	
17	402 4037	Armature Plate Alone			1	
18	402 4040	Ignition Coil			1	
19	402 4194	Lighting Coil With Cable And Connector			1	
20	402 4024	Lock Washer 5			4	
21	402 4048	Cyl. Screw M5 x 28			4	
22	402 4068	Condenser			1	
23	402 4070	Cable, Condenser			1	

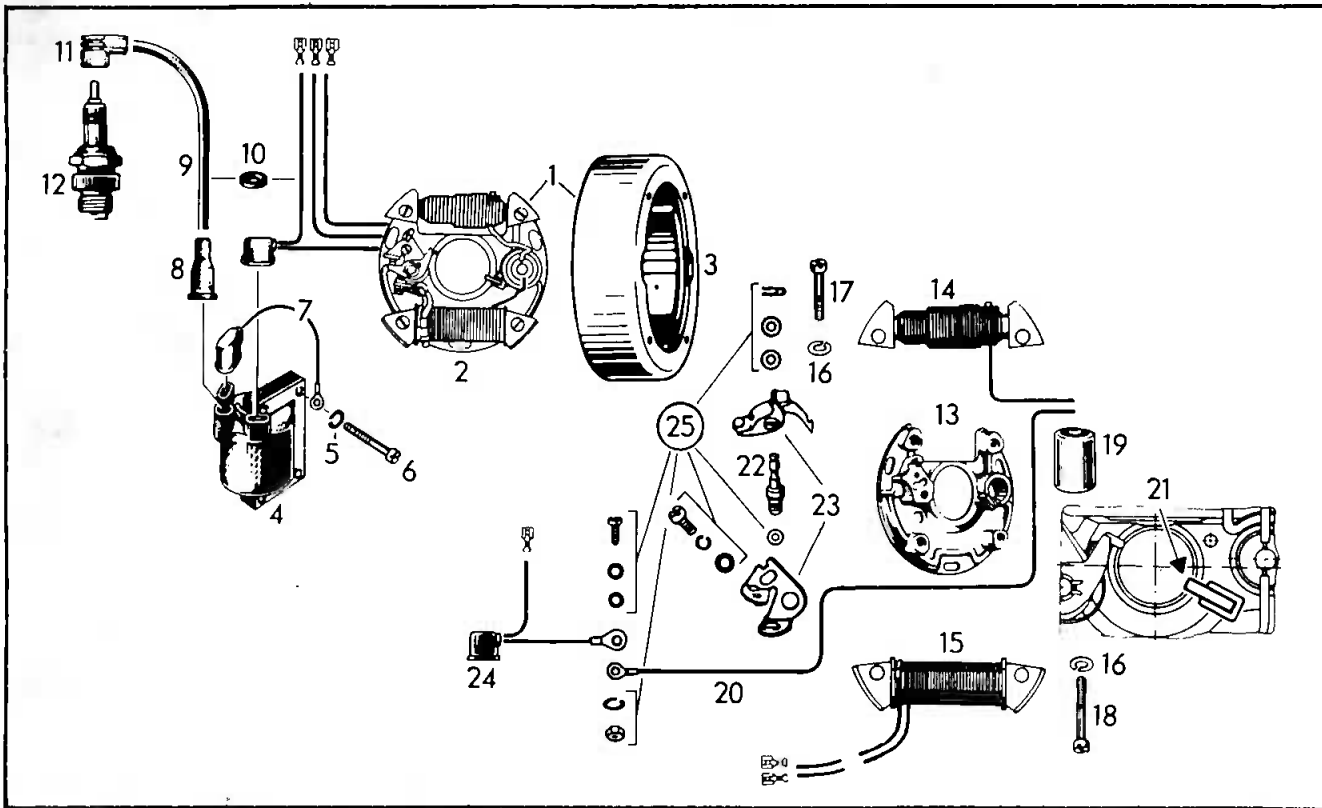
BOMBARDIER LTD./LTEE

MAGNETO GENERATOR 12V 40W

ITEM NO.	PART NO.	DESCRIPTION	QUANTITY			
			292	300	335	340
24	402 4116	Lubricating Wick (To Be Inserted) .....				1
25	402 4049	Pivot Pin, Contact Breaker .....				1
26	<del>265 4007</del>	Contact And Breaker Points Set <u>402 41050</u> .....				1
27	402 7016	Parts Set .....				1
28	402 4191	Shorting Cable 380mm With Connector .....				1

292 FOR TNT 292  
 300 FOR OLYMPIC 12/3  
 335 FOR OLYMPIC 335-335E  
 340 FOR TNT 340

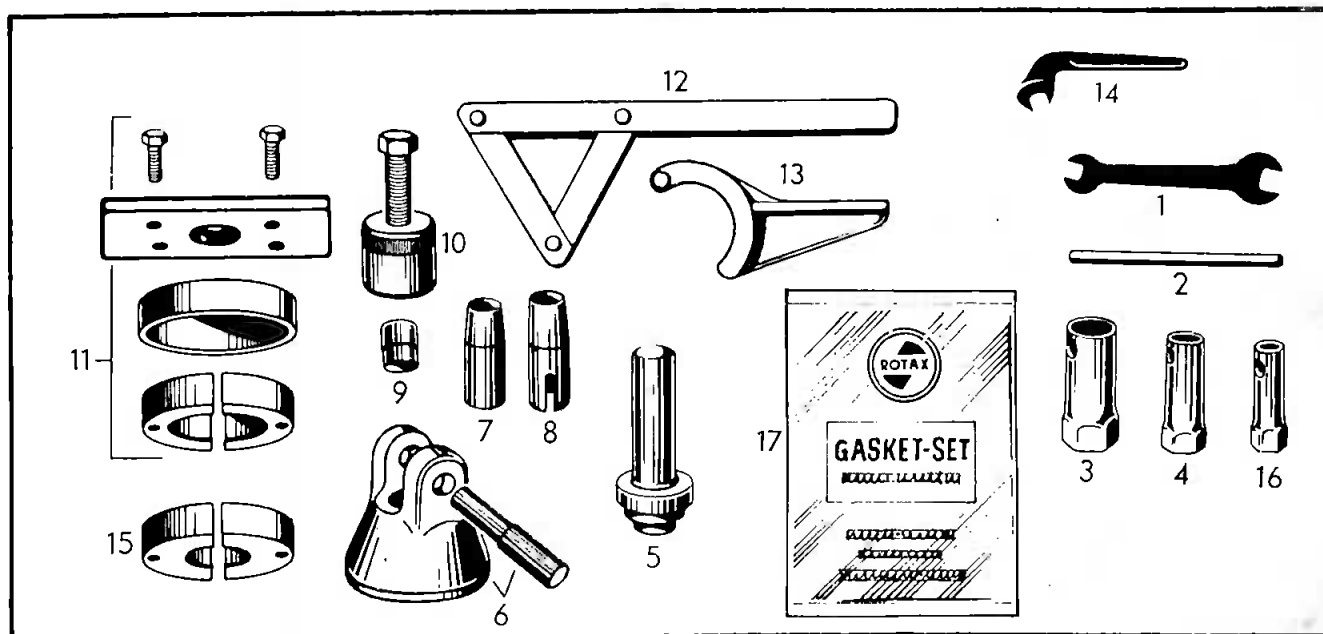
# MAGNETO GENERATOR 12V 75W



ITEM NO.	PART NO.	DESCRIPTION	QUANTITY
			335E
1	402 4200	Magneto Generator Ass'y 12V 75W .....	1
2	402 4201	Armature Plate With Cables .....	1
3	402 4167	Magneto Ring .....	1
4	402 7008	Ignition Coil .....	1
5	402 4024	Lock Washer 5 .....	3
6	402 7004	Cyl. Screw M5 x 22 .....	3
7	402 7062	Mass Cable Ass'y, Yellow 80mm .....	1
8	402 7003	Protection Cap, Ignition Coil Cable .....	1
9	402 7006	Ignition Cable 465mm .....	1
10	402 0148	Rubber Ring, Cables .....	1
11	402 4076	Spark Plug Protector Ass'y .....	1
12	402 4079	Spark Plug M240 T1 .....	1
13	402 4037	Armature Plate Alone .....	1
14	402 7063	Generator Coil With Cable, Black, 112mm .....	1
15	402 4194	Lighting Coil With 2 Cables 410mm And Conn. ....	1
16	402 4024	Lock Washer 5 .....	4
17	402 4147	Cyl. Screw M5 x 20 .....	2
18	402 4048	Cyl. Screw M5 x 28 .....	2
19	402 4068	Condenser .....	1
20	402 4070	Cable, Condenser .....	1
21	402 4116	Lubricating Wick (To Be Inserted) .....	1
22	402 4049	Pivot Pin, Contact Breaker .....	1
23	265 4007	Contact And Breaker Points Set .....	1
24	402 7074	Generator & Shorting Cables Ass'y .....	1
25	402 7016	Parts Set .....	1

BOMBARDIER LTD./LTEE

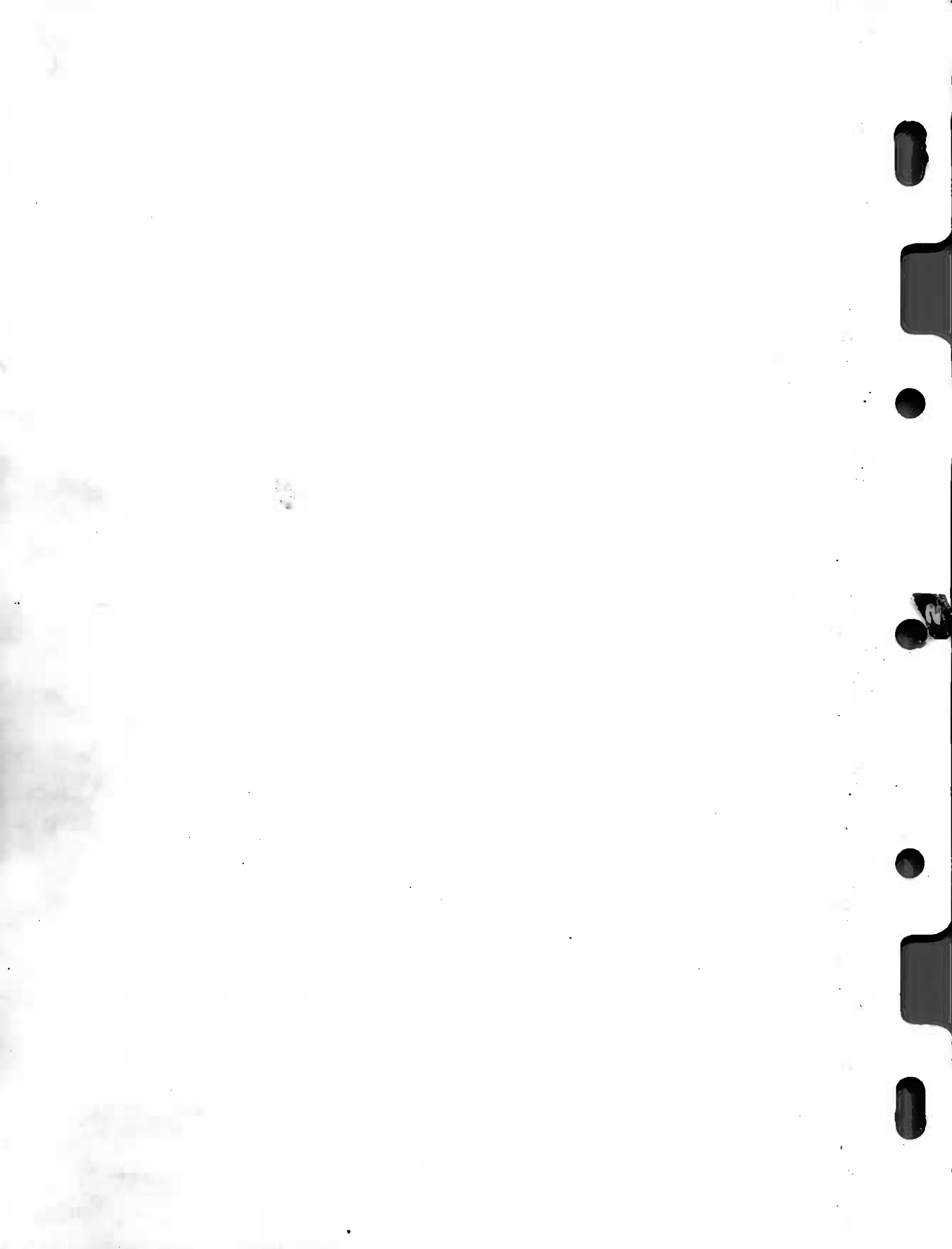
# REPAIR TOOLS, GASKETS



ITEM NO.	PART NO.	DESCRIPTION	QUANTITY
			292, 300, 335, 340
1-2-3-4	402 8025	Tool Set .....	1
1	402 8023	Fork Wrench 10/13mm .....	1
2	402 8039	Bolt 8 x 130 .....	1
3	402 8012	Socket Wrench 26mm, Spark Plug .....	1
4	402 8024	Socket Wrench 13mm .....	1
5	402 8028	Stamp To Mount Oil Seal .....	1
6	402 8013	Holder With Bolt, Connecting Rod .....	1
7	402 8011	Sleeve For Oil Seal, P.T.O. Side .....	1
8	402 8010	Sleeve For Oil Seal, Magneto Side .....	1
9	402 8005	Protection Cap 18mm .....	1
10	402 8004	Puller For Flywheel .....	1
11	402 8001	Puller For Bearing 6305 .....	1
12	402 8008	Wrench To Hold Fan, Engine Without Electric Starter .....	1
12	402 8034	Wrench To Hold Fan, Engine With Electric Starter .....	1
13	402 8038	Holder, Crankshaft .....	1
14	402 8042	One End Wrench 13mm, Carburetor Ass'y Nuts .....	1
15	402 8051	Ring Half For Roller Bearing .....	2
16	402 8047	Socket Wrench 11mm .....	1
17	402 9008	Gasket Set For Type 290 .....	1
17	402 9009	Gasket Set For Type 300 .....	1
17	402 9010	Gasket Set For Type 335 .....	1
17	402 9011	Gasket Set For Type 340 .....	1

292 FOR TNT 292-292S  
 300 FOR OLYMPIC 12/3  
 335 FOR OLYMPIC 335-335E  
 340 FOR TNT 340

BOMBARDIER LTD./LTEE

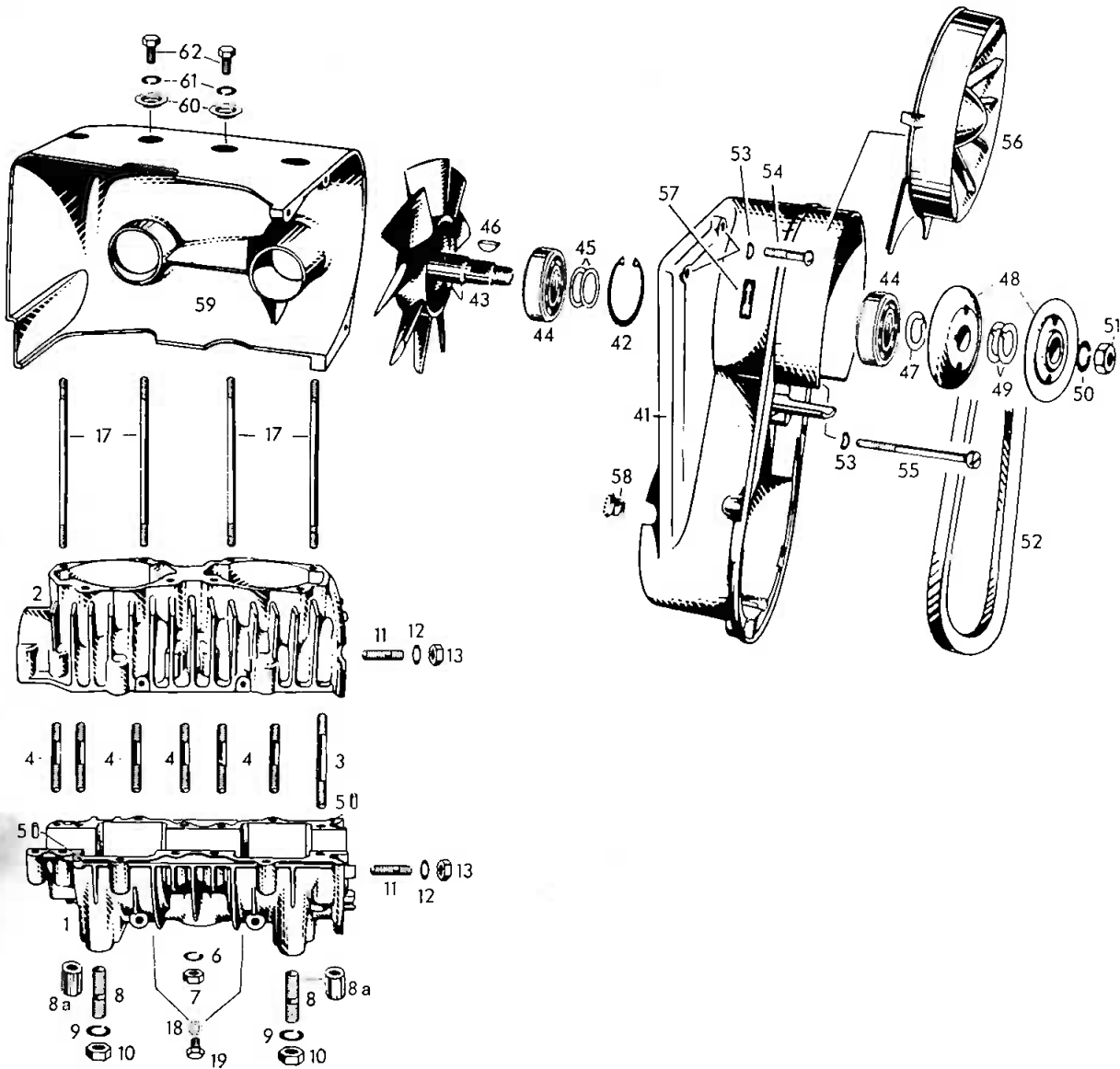


# ROTAX ENGINE

1970

TNT 775

# CRANKCASE, FAN HOUSING, FAN, V-BELT



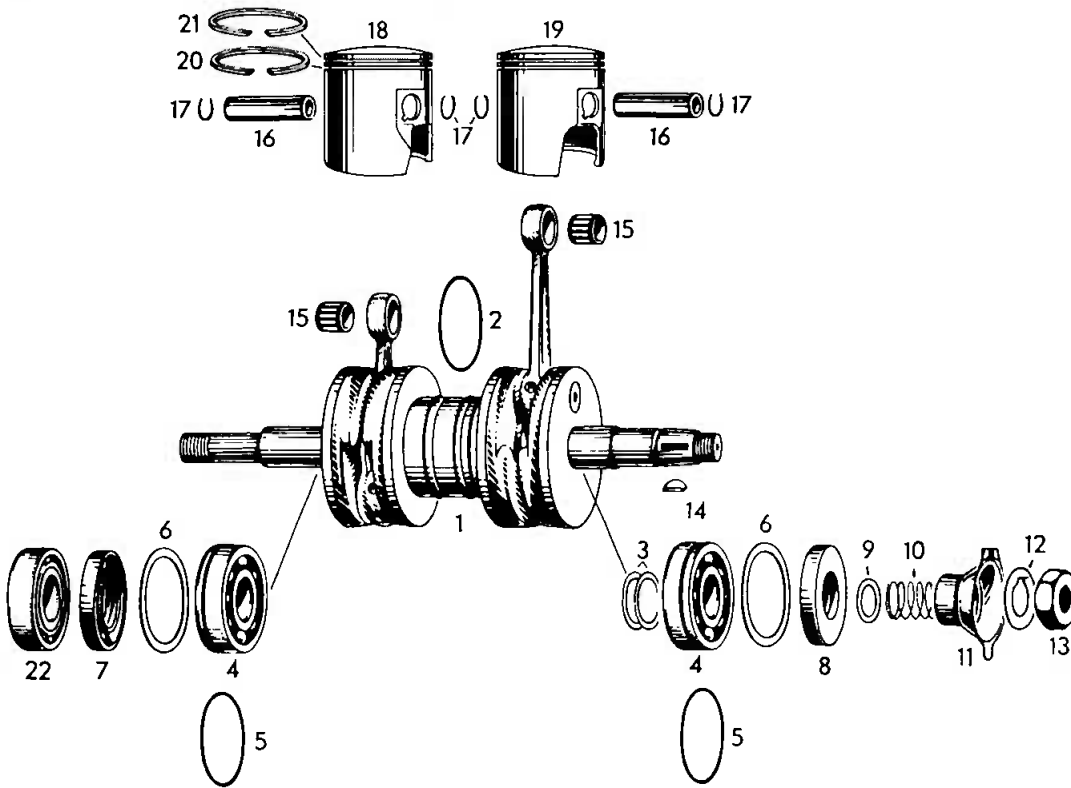
ITEM NO.	PART NO.	DESCRIPTION	QUANTITY
			775
1-2-3-4-5	402 0203	Crankcase Ass'y . . . . .	1
3	402 0007	Stud M8 x 56 . . . . .	2
4	402 0123	Stud M8 x 37 . . . . .	12
5	402 0161	Dowel Pin 5 $\phi$ x 10 . . . . .	2
6	402 0016	Lock Washer 8 . . . . .	14
7	402 0018	Hex Nut M8 . . . . .	14
8	402 0178	Stud M12 x 26 . . . . .	4
8A	402 0177	Distance Sleeve 6MM . . . . .	4
9	402 1038	Lock Washer 12 . . . . .	4
10	402 0117	Hex Nut M12 . . . . .	4



**CRANKCASE, FAN HOUSING, FAN, V-BELT**

ITEM NO.	PART NO.	DESCRIPTION	QUANTITY
			775
11	402 0115	Stud M8 x 16, Fan Housing . . . . .	4
12	402 1158	Locking Washer 8 . . . . .	4
13	402 0134	Hex Nut M8 . . . . .	4
17	402 0076	Stud M8, Cylinder . . . . .	4
18	402 0019	Sealing Ring . . . . .	2
19	402 0020	Oil Drain Screw M8 x 9 . . . . .	2
41	402 0189	Fan Housing . . . . .	1
42	402 0118	Locking Ring . . . . .	1
43	402 0126	Fan With Shaft Ass'y . . . . .	1
44	402 0136	Ball Bearing 6204 . . . . .	2
45	402 1018	Shim 1.0MM . . . . .	2
46	402 1009	Woodruff Key 3 x 5 . . . . .	1
47	402 0129	Shim . . . . .	1
48	402 0163	Pulley Half . . . . .	2
49	402 0129	Shim . . . . .	4
50	402 1084	Lock Washer 14 . . . . .	1
51	402 1086	Hex. Nut M14 x 1.5 . . . . .	1
52	402 0121	V-Belt . . . . .	1
53	402 0133	Spring Washer B6 . . . . .	3
54	402 0151	Flat Head Screw M6 x 30 . . . . .	2
55	402 2125	Cyl. Screw M6 x 80 . . . . .	1
56	402 0187	Fan Cover . . . . .	1
57	402 0092	Direction Plate . . . . .	1
58	402 4122	Cable Grommet . . . . .	1
59	402 0191	Air Cowl . . . . .	1
60	402 0185	Cowl Cover . . . . .	2
61	402 0016	Lock Washer . . . . .	2
62	402 0186	Hex Screw 5/16" x 15 . . . . .	2

# CRANKSHAFT PISTON

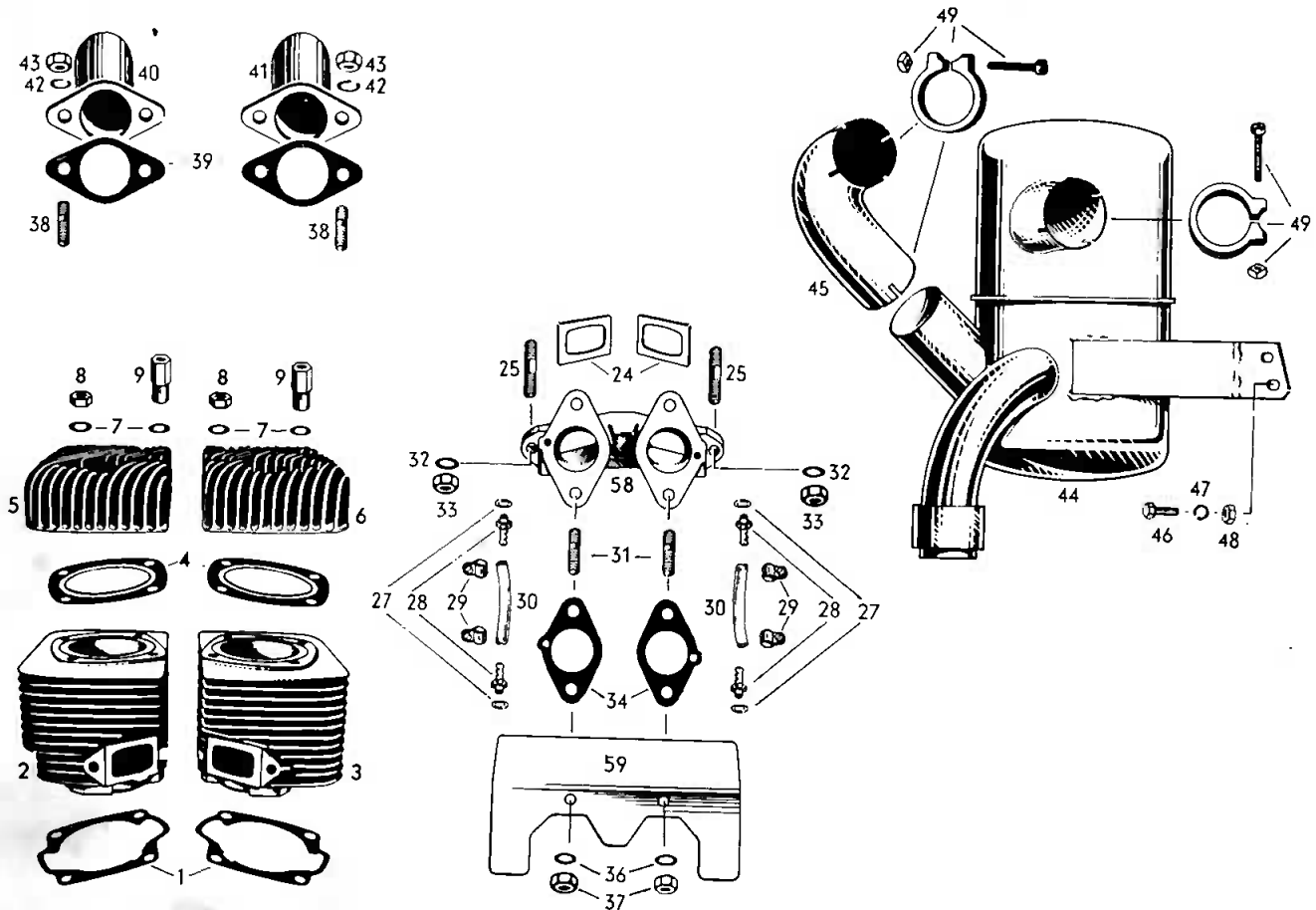


ITEM NO.	PART NO.	DESCRIPTION	QUANTITY
			TNT775
1-2	402 1221	Crankshaft Ass'y . . . . .	1
2	402 1119	O-Ring . . . . .	3
3	402 1112	Shim 1.0MM . . . . .	AR
	402 1113	Shim 0.15MM . . . . .	AR
	402 1114	Shim 0.3MM . . . . .	AR
	402 1115	Shim 0.2MM . . . . .	AR
4	402 1139	Ball Bearing . . . . .	2
5	402 1119	O-Ring . . . . .	2
6	402 1108	Retaining Disk . . . . .	2
7-8	402 1109	Oil Seal . . . . .	2
9	402 1026	Washer, Cam Spring . . . . .	1
10	402 1036	Spring, Breaker Cam . . . . .	1
11	402 1156	Breaker Cam . . . . .	1
12	402 1040	Lock Washer . . . . .	1
13	402 1043	Hex Nut M18 x 1.5 . . . . .	1
14	402 1010	Woodruff Key 5 x 6.5 . . . . .	1
15	402 1033	Needle Cage . . . . .	2
16	402 1216	Gudgeon Pin . . . . .	2

**CRANKSHAFT, PISTON**

ITEM NO.	PART NO.	DESCRIPTION	QUANTITY
			TNT775
17	402 1067	Circlip, Gudgeon Pin .....	4
18-20-21	402 1217	Piston Ass'y With Rings 82.0 $\phi$ Std. P.T.O. Side .....	1
	402 1218	Piston Ass'y With Rings 82.5 $\phi$ 1st Oversize P. T.O. Side .....	1
19-20-21	402 1219	Piston Ass'y With Rings 82.0 $\phi$ Std Mangeto Side .....	1
	402 1220	Piston Ass'y With Rings 82.5 $\phi$ 1st Oversize Mangeto Side .....	1
20	402 1214	Rectangular Ring 82.0 $\phi$ Std .....	2
	402 1215	Rectangular Ring 82.5 $\phi$ 1st Oversize .....	2
21	402 1212	L-Ring 82.0 $\phi$ Std .....	2
	402 1213	L-Ring 82.5 $\phi$ 1st Oversize .....	2
22	402 1110	Ball Bearing 6306 .....	1

# CYLINDERS, INTAKE MANIFOLD MUFFLER

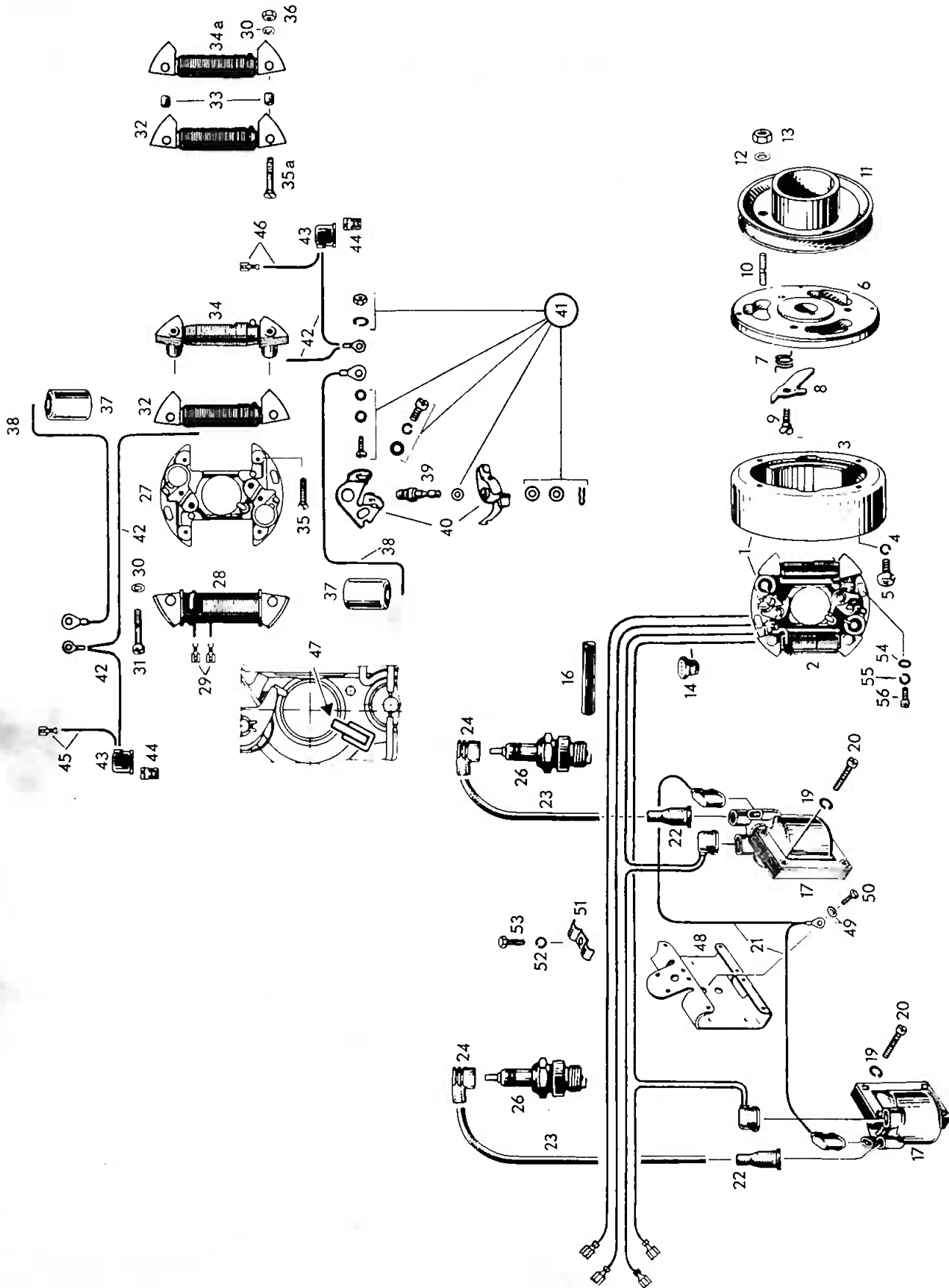


ITEM NO.	PART NO.	DESCRIPTION	QUANTITY
			TNT 775
1	402 2225	Gasket, Cylinder Flange .....	2
2	402 2221	Cylinder, P.T.O. Side .....	1
3	402 2222	Cylinder Magneto Side .....	1
4	402 2226	Gasket, Cylinder Head .....	2
5	402 2223	Cylinder Head, P.T.O. Side .....	1
6	402 2224	Cylinder Head, Magneto Side .....	1
7	402 0031	Washer 8.4 Cylinder Head .....	8
8	402 0116	Hex Nut M8 .....	4
9	402 2145	Distance Nut M8/5/16" .....	4
24	402 2207	Intake Gasket, Magneto Side .....	2
25	402 2002	Stud M8 x 25 .....	2
27	402 0064	Isolating And Sealing Washer .....	4
28	402 0065	Joint .....	4
29	402 0063	Clamp, Plastic Tube .....	4
30	414 0130	Plastic Line 140MM .....	2
31	402 2037	Stud M8 x 19.5 .....	4
32	402 0031	Washer 8.4 .....	2
33	402 2106	Lock Nut M8 .....	2
34	404 0212	Tillotson Carburator Flange Gasket .....	2

**CYLINDERS, INTAKE MANIFOLD, MUFFLER**

ITEM NO.	PART NO.	DESCRIPTION	QUANTITY
			TNT775
36	402 2072	Isolating Washer . . . . .	4
37	402 0018	Hex. Nut M8 . . . . .	4
38	402 2038	Stud M8 x 19 . . . . .	4
39	402 2100	Gasket, Exhaust Flange . . . . .	2
40	402 2113	Exhaust Socket With Flange, P.T.O. Side . . . . .	1
41	402 2109	Exhaust Socket With Flange, Magneto Side . . . . .	1
42	402 0016	Lock Washer 8 . . . . .	4
43	402 0018	Hex. Nut M8 . . . . .	4
44	402 2194	Muffler Ass'y . . . . .	1
45	402 2195	Inlet Elbow . . . . .	1
46	402 4127	Hex. Screw M6 x 20 . . . . .	2
47	402 0015	Lock Washer 6 . . . . .	2
48	402 2053	Hex. Nut M6 . . . . .	2
49	414 0222	Clamp Ass'y 516 . . . . .	3

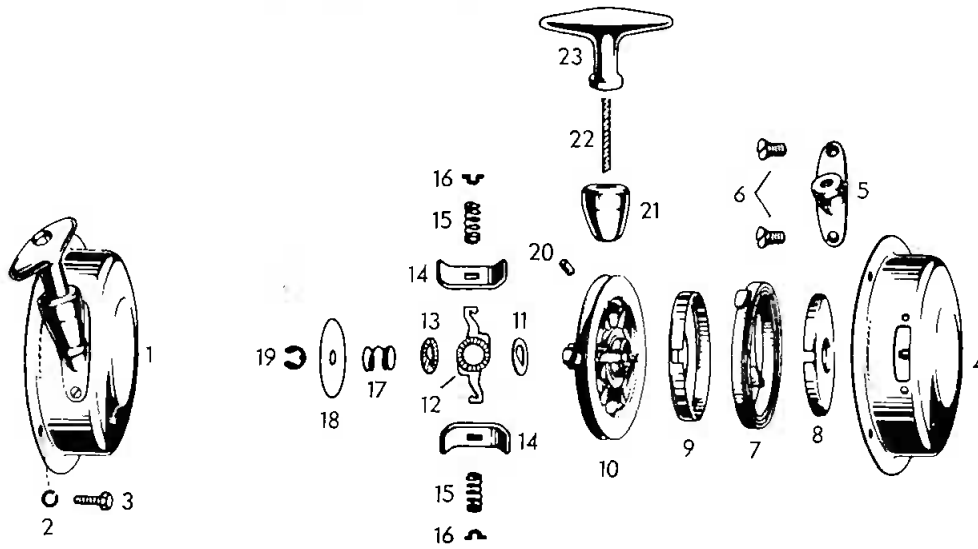
# MAGNETO GENERATOR 12V75W, MAGNETO HOUSING



**MAGNETO GENERATOR 12V75W, MAGNETO HOUSING**

ITEM NO.	PART NO.	DESCRIPTION	QUANTITY
			TNT 775
1	402 4197	Magneto Generator Ass'y 12V 75W	1
2	402 4199	Armature Plate Ass'y	1
3	402 4167	Magneto Ring	1
4	402 0015	Lock Washer 6	4
5	402 4148	Cyl. Screw W. Int. Hex. M6 x 10.5	4
6	402 4149	Magneto Housing	1
7	402 4096	Spring Centrifugal Weight	1
8	402 0146	Centrifugal Weight	1
9	402 4118	Bearing Screw, Centrifugal Weight	1
10	402 5050	Stud M8 x 15	3
11	402 0162	V-Belt Pulley	1
12	402 1158	Locking Washer 8	3
13	402 0134	Hex. Nut M8	3
14	402 4122	Cable Grommet	1
16	402 0168	Rubber Sleeve 55MM	2
17	402 7008	Ignition Coil	2
19	402 4024	Lock Washer 5	8
20	402 2229	Cyl. Screw M5 x 20	8
21	402 4138	Mass Cable Ass'y Yellow	1
22	402 7003	Protection Cap	2
23	402 4106	Ignition Cable 480MM	2
24	402 4076	Spark Plug Protector	2
26	402 4081	Spark Plug M310T1	2
27	402 4152	Armature Plate Alone	1
28	402 4155	Lighting Coil With Cables 550MM	1
29	402 4176	Faston Connector	2
30	402 4024	Lock Washer 5	2
31	402 4048	Cyl. Screw M5 x 28	2
32	402 4151	Generator Coil, Bottom, Right Hand Winding	1
33	402 4161	Distance Sleeve	2
34-34A	402 4150	Generator Coil, Top, Left And Winding	1
35	402 4179	Countersunk Screw M5 x 25	2
35A	402 4146	Countersunk Screw M5 x 38	2
36	402 7049	Hex. Nut M5	2
37	402 4068	Condenser	2
38	402 4164	Cable Condenser	2
39	402 4049	Pivot Pin Contact Breaker	2
40	402 4142	Contact Point Set, Racing	2
41	402 7016	Parts Set, Armature Plate	2
42	402 4162	Generator Cable Ass'y, Blue-Black 610-80MM	2
43	402 4159	Rubber Cap	2
44	409 2009	Faston Connector	2
45	402 4193	Shoring Cable, Black 260MM W. Conn.	1
46	402 4192	Shoring Cable, Yellow 365MM W. Conn.	1
47	402 4141	Lubricating Wick	1
48	402 4121	Coil Mounting Flange	1
49	402 0015	Lock Washer 6	2
50	402 4127	Hex. Screw M6 x 16	2
51	402 4120	Ignition Cable Clamp	1
52	402 0015	Lock Washer 6	1
53	402 0040	Cyl. Screw M6 x 10	1
54	402 4131	Washer 5.3	2
55	402 4024	Lock Washer 5	2
56	402 2227	Cyl. Screw M5 x 16 W. Int. Hex.	2

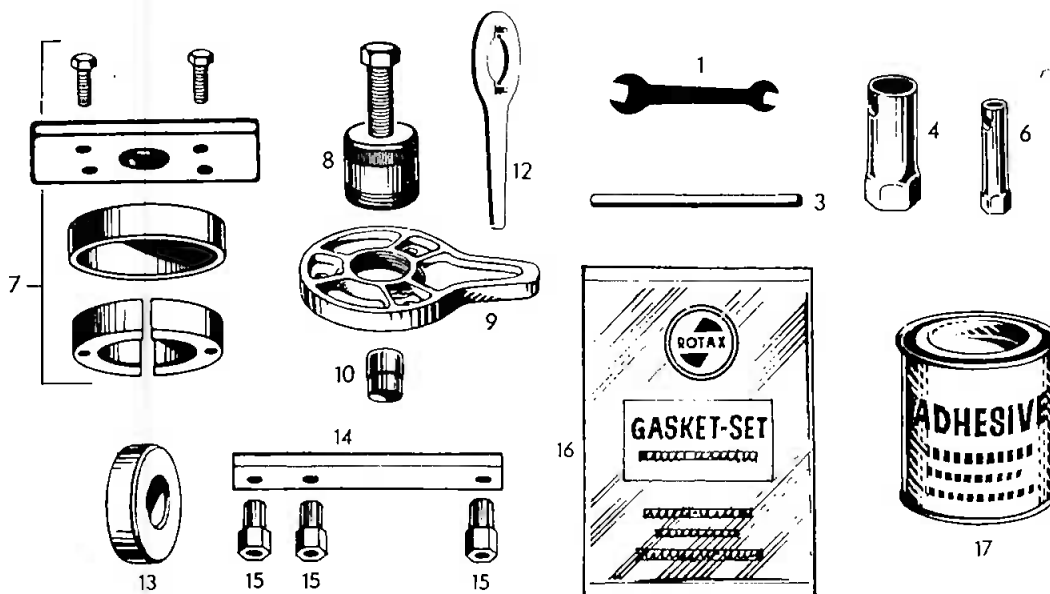
# REWIND STARTER



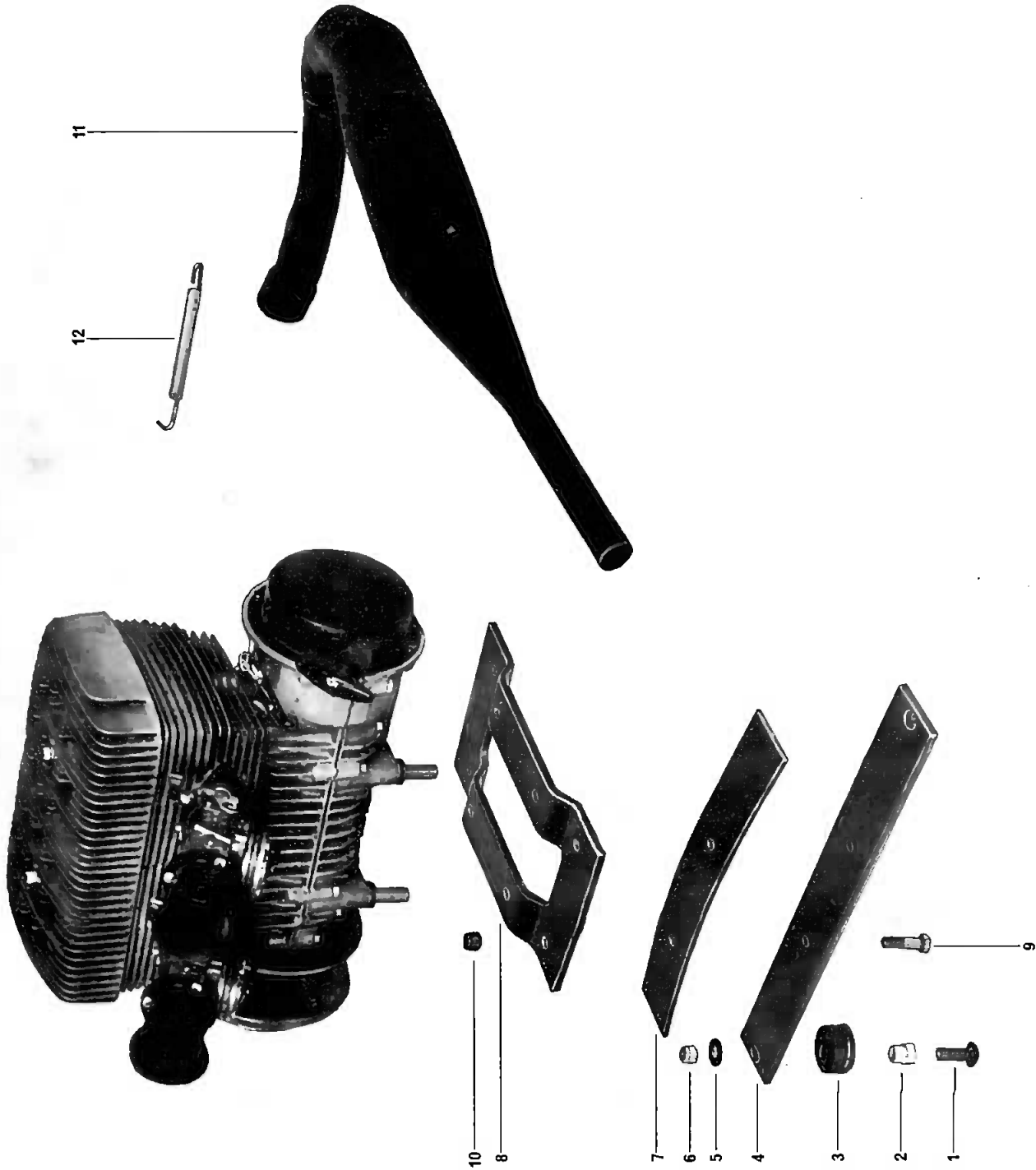
ITEM NO.	PART NO.	DESCRIPTION	QUANTITY
			TNT 775
1	402 5046	Rewind Starter Ass'y	1
2	402 0015	Lock Washer 6	4
3	402 0012	Hex. Screw M6 x 15	4
4	402 7058	Starter Housing	1
5	402 5036	Starter Stop	1
6	402 5037	Countersunk Screw M5 x8	2
7-8-9	402 5023	Spring Cartridge Ass'y	1
7	402 5022	Rewind Spring	1
8	402 5038	Spring Guide	1
9	402 5044	Cover, Spring Guide	1
10	402 5047	Rope Sheave	1
11	402 5026	D-Washer	1
12	402 5028	Pivot Arm	1
13	402 5027	Friction Washer	1
14	402 5029	Pawl	2
15	402 5030	Pawl Spring	2
16	402 5031	Pawl Spring	2
17	402 5032	Friction Spring	1
18	402 5033	Cover Washer	1
19	402 5034	Circlip	1
20	402 5016	Bolt 5 x 6 Starter Rope	1
21	402 5039	Rubber Buffer	1
22	402 5018	Starter Rope 1200MM	1
23	402 5019	Starter Grip	1



# REPAIR TOOLS, GASKET SET



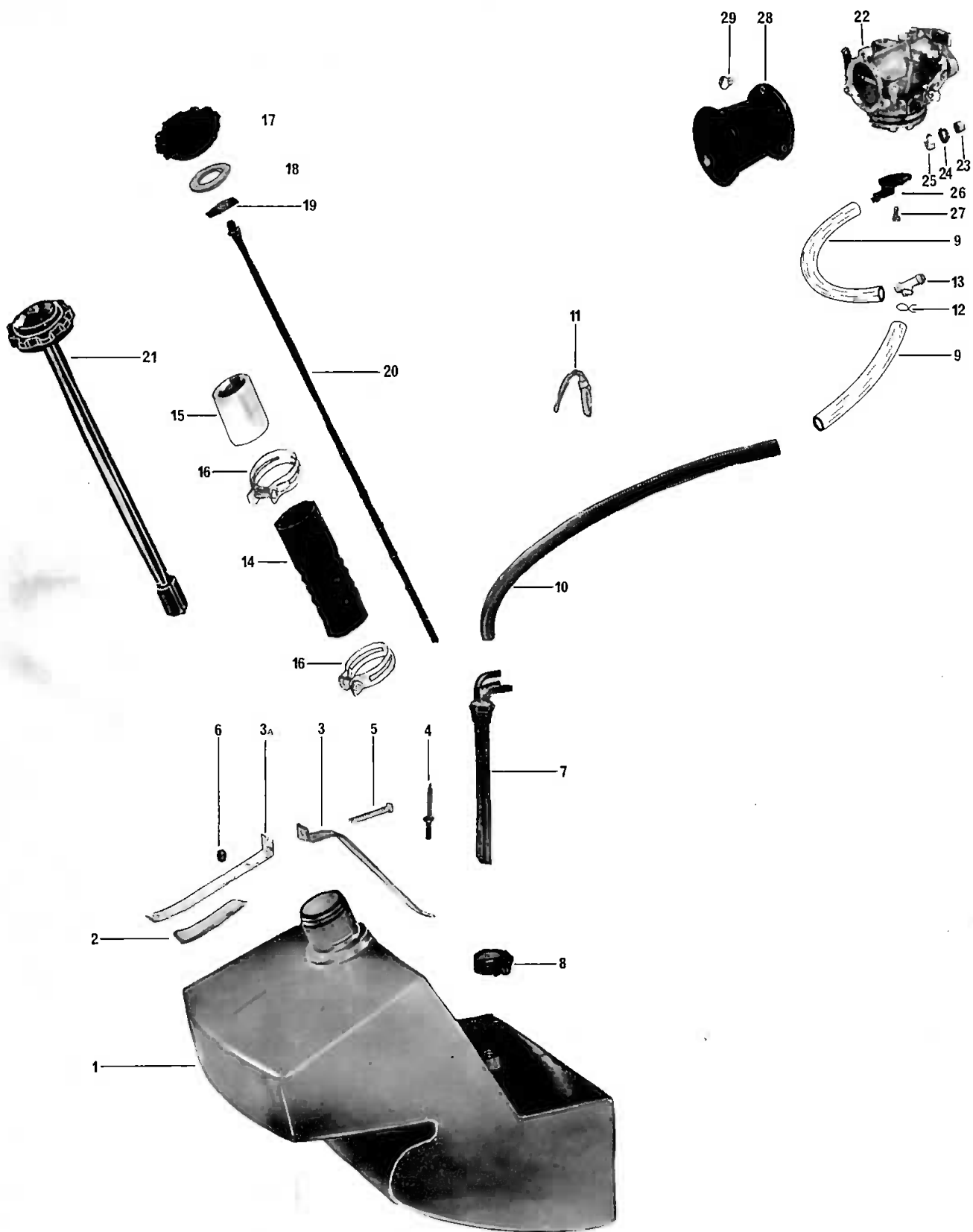
ITEM NO.	PART NO.	DESCRIPTION	QUANTITY
			TNT 775
1-3-4-6	402 8025	Tool Set Ass'y	1
1	402 8023	Fork Wrench 10/13MM	1
3	402 8039	Bolt 8 x 130	1
4	402 8022	Socket Wrench 26MM, Spark Plug	1
6	402 8024	Socket Wrench 13MM	1
7	402 8002	Remover Ass'y Bearing 6306	1
8	402 8044	Puller Ass'y Flywheel	1
9	402 8045	Wrench To Hold Magneto Housing	1
10	402 8005	Protection Cap 18MM	1
12	402 8053	Wrench To Hold Pulley Halves	1
13	402 1208	Crankshaft Ring	1
14	402 8057	Cylinder Aligning Tool	1
15	402 8056	Nut M8, Cylinder Aligning Tool	3
16	402 9017	Gasket Set	1
17	402 9015	Adhesive 1 Sarplast L700 (Can)	1



**BLIZZARD ENGINE**

ITEM NO.	PART NO.	DESCRIPTION	QUANTITY				
			292	340	436	636	776
1	360 8010	Carriage Bolt . . . . .	4	4	4	4	4
2	512 0011	Threaded Spacer Bushing . . . . .	4	4	4	4	4
3	570 1202	Insulator Rubber . . . . .	4	4	4	4	4
4	512 0012	Engine Support . . . . .	2	2			
4	512 0053	Engine Support . . . . .			2	2	2
5	399 9006	Washer . . . . .	4	4	4	4	4
6	389 8036	Nut . . . . .	4	4	4	4	4
7	512 0050	Engine Leaf Spring . . . . .	2	2			
7	512 0054	Engine Leaf Spring . . . . .			2	2	2
8	512 0094	Engine Bracket . . . . .	1	1			
8	512 0093	Engine Bracket . . . . .			1		
8	512 0037	Engine Bracket . . . . .				1	1
9	309 8012	Screw . . . . .	4	4			
9	309 8025	Screw . . . . .			6	6	6
10	389 8037	Nut . . . . .	4	4	6	6	6
11	414 0559	Tuned Exhaust R.H. . . . .			1		
11	414 0560	Tuned Exhaust L.H. . . . .			1		
11	414 0561	Tuned Exhaust R.H. . . . .				1	
11	414 0562	Tuned Exhaust L.H. . . . .				1	
11	414 0563	Tuned Exhaust R.H. . . . .					1
11	414 0564	Tuned Exhaust L.H. . . . .					1
11	414 0674	Tuned Exhaust . . . . .	1				
11	414 0675	Tuned Exhaust . . . . .		1			
12	414 0257	Spring . . . . .	2	2	4	4	4

# BLIZZARD FUEL



**BLIZZARD FUEL**

ITEM NO.	PART NO.	DESCRIPTION	QUANTITY				
			292	340	436	636	776
1	414 0540	Fuel Tank .....	1	1			
1	414 0135	Fuel Tank .....			1	1	1
2	414 0247	Protector Strip (Mult 12") .....	AR	AR	AR	AR	AR
3	513 0089	Retainer Strip .....	2	2			
3A	513 0090	Retainer Strip .....	2	2			
3	513 0073	Retainer Strip .....			2	2	2
3A	513 0091	Retainer Strip .....			2	2	2
4	390 9003	Rivet .....	4	4			
4	390 4021	Rivet .....			2	2	2
5	321 6046	Screw .....	2	2			
5	320 1067	Screw .....			2	2	2
6	385 7011	Nut .....	2	2			
6	387 3013	Nut .....			2	2	2
7	513 0084	Fuel Line Adaptor .....	1	1			
7	513 0088	Fuel Line Adaptor .....			1	1	1
8	408 8004	Gear Clamp .....	1	1	1	1	1
9	414 0130	Fuel Line (Mult 12") .....	AR	AR	AR	AR	AR
10	414 0178	Isolating Line (Mult 12") .....	AR	AR	AR	AR	AR
11	114 0043	Hose Tie .....	1	1	4	4	4
12	414 0128	Hose Clamp .....	2	2	5	5	5
13	414 0024	"T" Line .....			1	1	1
14	570 1302	Filler Pipe Extension .....	1	1			
15	414 0416	Filler Neck .....	1	1			
16	408 8002	Clamp .....	2	2			
17	414 0290	Fuel Tank Cap .....	1	1			
18	414 0293	Gasket .....	1	1			
19	513 0047	Spring .....	1	1			
20	561 3001	Fuel Tank Gauge .....	1	1			
21	414 0209	Fuel Tank Cap .....			1	1	1
22	403 0015	Carburator .....	1	1			
22	403 0021	Carburator .....			2		
22	403 0013	Carburator .....				2	2
23	404 0157	Isolating Sleeve .....	2	2	4	4	4
24	402 2072	Isolating Washer .....	2	2	4	4	4
25	402 0018	Nut .....	2	2	4	4	4
26	404 0051	Strainer Cover .....	1	1			
26	404 0182	Strainer Cover .....			2	2	2
27	404 0052	Screw .....	1	1	2	2	2
28	570 1208	Intake Funnel .....	1	1		2	2
28	570 1203	Intake Funnel .....			2		
29	337 7100	Screw .....	3	3	6	6	6
	403 0015	Carburator: Ref to Cat 70 Sec 2 ... Page 15 .....					
	403 0013	Carburator: Ref to Cat 70 Sec 7 ... Page 15 .....					
	403 0021	Carburator Ref. To Carburator no. 403 0012 Section 2 Page 17..... Except for no. 404 0263 Body (Service) instead of 404 0205 .....					
		404 0264 Throttle Cable Bracket .....					
		404 0265 Throttle Cable Bracket Ret Screw & Lock Washer .....					
		404 0215 Throttle Cable Clamp .....					
		404 0217 Throttle Cable Clamp Ret. Nut .....					
		404 0216 Throttle Cable Clamp Ret. Screw .....					

# ROTAX ENGINE

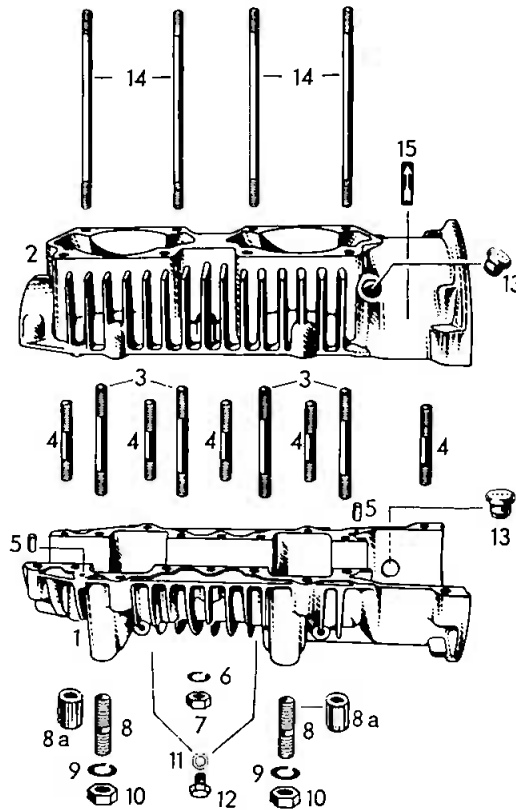
1970

BLIZZARD 436

BLIZZARD 636

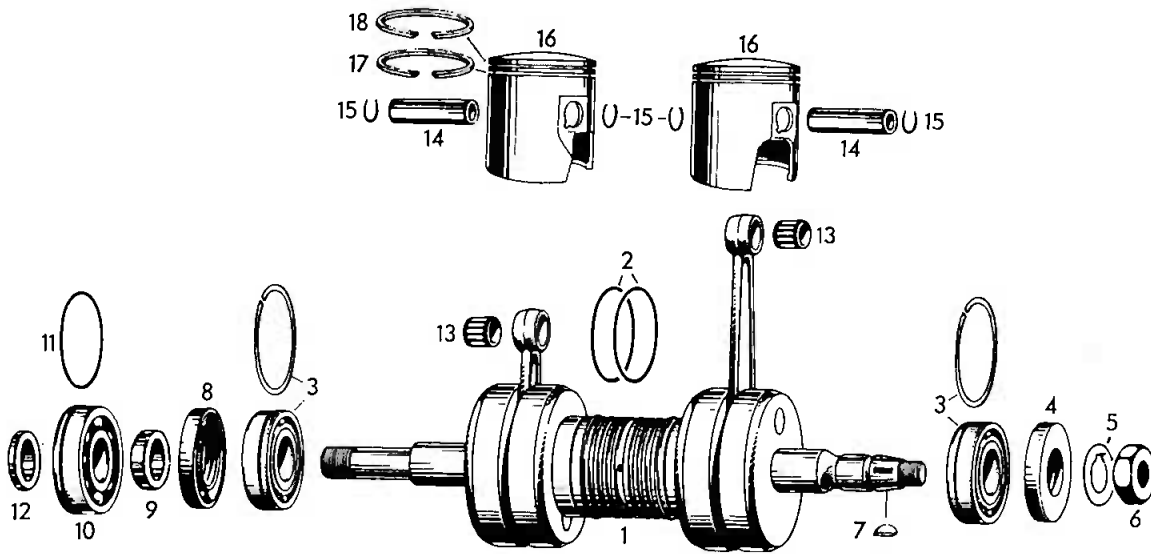
BLIZZARD 776

# BLIZZARD CRANKCASE



ITEM NO.	PART NO.	DESCRIPTION	QUANTITY		
			436	636	776
1-2-3-4-5	402 0205	Crankcase Ass'y	1		
1-2-3-4-5	402 0204	Crankcase Ass'y		1	1
3	402 0007	Stud M8x56	8	8	8
4	402 0123	Stud M8x37	10	10	10
5	402 0161	Dowel Pin 5ø x 10	2	2	2
6	402 0016	Lock Washer 8	18	18	18
7	402 0018	Hex Nut M8	18	18	18
8	402 0023	Stud M10x42	4		
8	402 0178	Stud M12 x 26		4	4
8a	402 0091	Distance Sleeve 22MM	4		
9	402 0025	Lock Washer 10	4		
9	402 1038	Lock Washer 12		4	4
10	402 0026	Hex Nut M10	4		
10	402 0117	Hex Nut M12		4	4
11	402 0019	Sealing Ring	2	2	2
12	402 0020	Oil Drain Screw M8 x 9	2	2	2
13	402 4122	Cable Grommet	2	2	2
14	402 2241	Stud M8 Cylinder	8		
14	402 2239	Stud M10, Cylinder		8	8
15	402 0092	Direction Plate	1	1	1

# BLIZZARD CRANKSHAFT, BEARINGS, PISTONS



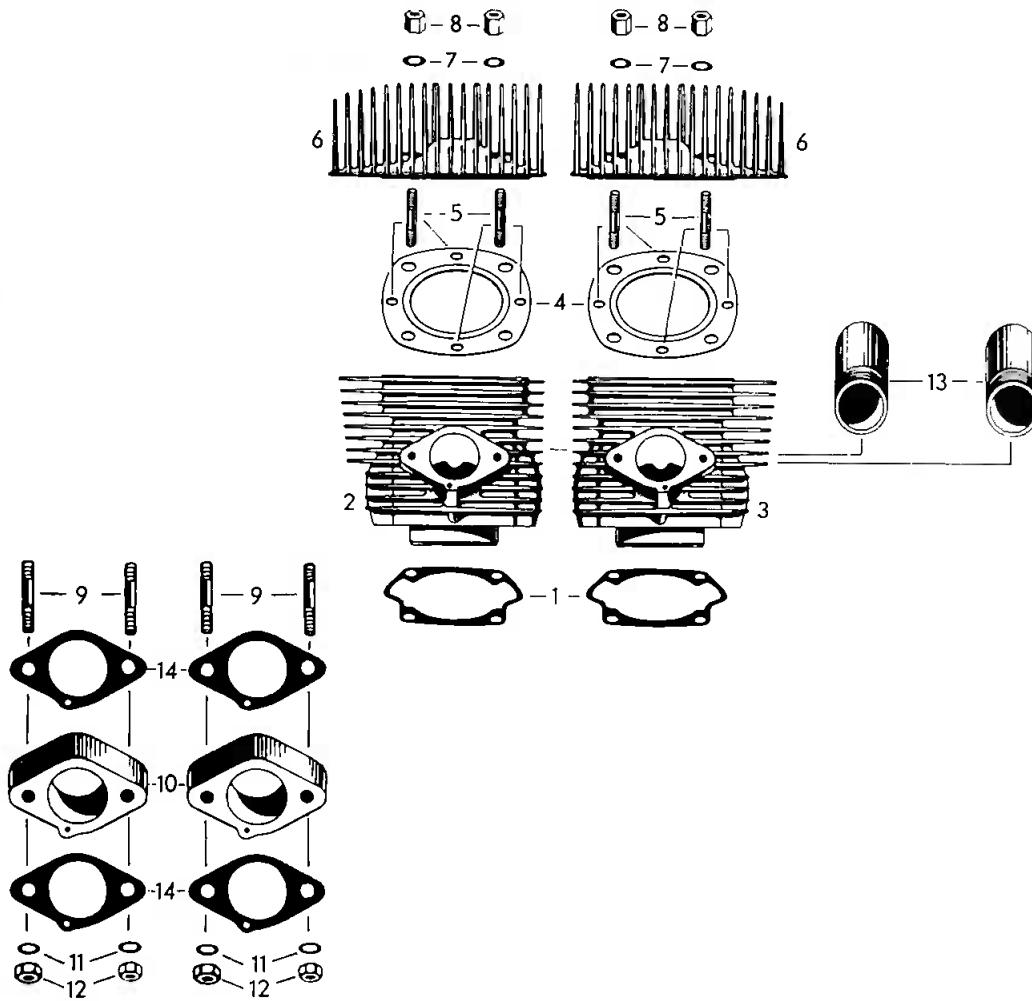
ITEM NO.	PART NO.	DESCRIPTION	QUANTITY		
			436	636	776
1-2	402 1244	Crankshaft Ass'y . . . . .	1		
1-2	402 1245	Crankshaft Ass'y . . . . .		1	
1-2	402 1241	Crankshaft Ass'y . . . . .			1
2	402 1137	O-Ring . . . . .	2		
2	402 1119	O- Ring . . . . .		2	2
3	402 1248	Roller Bearing NU 305W. Groove Ring . . . . .	2		
3	402 1249	Roller Bearing NU 306W. Groove Ring . . . . .		2	2
4	402 1224	Oil Seal . . . . .	1		
4	402 1109	Oil Seal . . . . .		1	1
5	402 1040	Lock Washer . . . . .	1	1	1
6	402 1043	Hex Nut M18x1.5 . . . . .	1	1	1
7	402 1010	Woodruff Key 5x6.5 . . . . .	1	1	1
8	402 1225	Oil Seal . . . . .	1		
8	402 1250	Oil Seal . . . . .		1	1
9	402 1236	Distance Sleeve 13MM . . . . .	1		
9	402 1237	Distance Sleeve 14.4MM . . . . .		1	1
10	402 1251	Ball Bearing 6305 . . . . .	1		
10	402 1252	Ball Bearing 6306 . . . . .		1	1
11	402 1137	O-Ring . . . . .	1		
11	402 1119	O-Ring . . . . .		1	1
12	402 1223	Distance Ring 7MM . . . . .	1		
12	402 1222	Distance Ring 6MM . . . . .		1	1
13	402 1033	Needle Cage . . . . .	2	2	
13	402 1253	Needle Cage . . . . .			2
14	402 1080	Gudgeon Pin . . . . .	2		
14	402 1235	Gudgeon Pin . . . . .		2	
14	402 1234	Gudgeon Pin . . . . .			2
15	402 1067	Circlip 18, Gudgeon Pin . . . . .	4	4	
15	402 1226	Circlip 20, Gudgeon Pin . . . . .			4



**BLIZZARD CRANKSHAFT, BEARINGS, PISTONS**

ITEM NO.	PART NO.	DESCRIPTION	QUANTITY		
			436	636	776
16-17-18	402 1242	Piston Ass'y With Rings 67.0ϕ Std. ....	2		
	402 1243	Piston Ass'y With Rings 67.5ϕ 1st Oversize ....	2		
16-17-18	402 1246	Piston Ass'y With Rings 76.0ϕ Std. ....		2	
	402 1247	Piston Ass'y With Rings 76.5ϕ 1st Oversize ....		2	
16-17-18	402 1238	Piston Ass'y With Rings 82.0ϕ Std. ....			2
	402 1239	Piston Ass'y With Rings 82.5ϕ 1st Oversize ....			2
	402 1240	Piston Ass'y With Rings 83.0ϕ 2nd Oversize ....			2
17	402 1230	Rectangular Ring 67.0ϕ Std. ....	2		
	402 1231	Rectangular Ring 67.5ϕ 1st Oversize ....	2		
17	402 1232	Rectangular Ring 76.0ϕ Std. ....		2	
	402 1233	Rectangular Ring 76.5ϕ 1st Oversize ....		2	
17	402 1214	Rectangular Ring 82.0ϕ Std. ....			2
	402 1215	Rectangular Ring 82.5ϕ 1st Oversize ....			2
	402 1254	Rectangular Ring 83.0ϕ 2nd Oversize ....			2
18	402 1228	L-Ring 67.0ϕ Std. ....	2		
	402 1229	L-Ring 67.5ϕ 1st Oversize. ....	2		
18	402 1192	L-Ring 76.0ϕ Std. ....		2	
	402 1193	L-Ring 76.5ϕ 1st Oversize ....		2	
18	402 1212	L-Ring 82.0ϕ Std. ....			2
	402 1213	L-Ring 82.5ϕ 1st Oversize. ....			2
	402 1227	L-Ring 83.0ϕ 2nd Oversize ....			2

# BLIZZARD CYLINDERS, CYLINDER HEAD, EXHAUST SOCKET

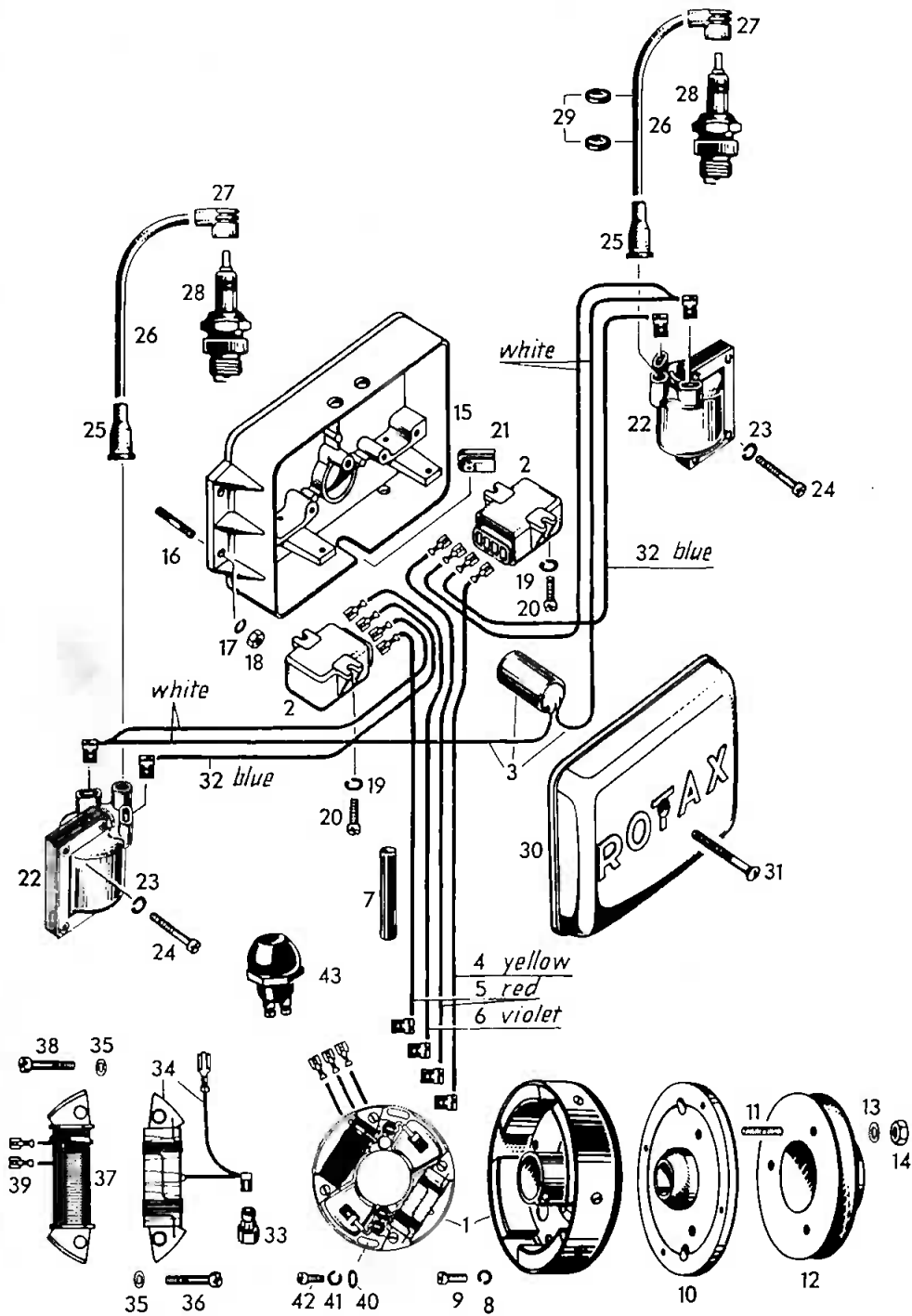


ITEM NO.	PART NO.	DESCRIPTION	QUANTITY		
			436	636	776
1	402 2250	Gasket, Cylinder Flange	2		
1	402 2251	Gasket, Cylinder Flange		2	2
2	402 2234	Cylinder W/ Sleeve, P.T.O. Side	1		
2	402 2237	Cylinder W/Sleeve, P.T.O. Side		1	
2	402 2230	Cylinder W/Sleeve, P.T.O. Side			1
3	402 2235	Cylinder W/Sleeve, Magneto Side	1		
3	402 2238	Cylinder W/Sleeve, Magneto Side		1	
3	402 2231	Cylinder W/Sleeve, Magneto Side			1
4	402 2252	Gasket, Cylinder Head	2		
4	402 2253	Gasket, Cylinder Head		2	2
5	402 2240	Stud M8x40 Cylinder Head	8	8	8
6	402 2236	Cylinder Head	2		
6	402 2233	Cylinder Head		2	
6	402 2232	Cylinder Head			2
7	402 0031	Washer 8.4, Cylinder Head	16	8	8
7	402 2254	Washer 10.5, Cylinder Head		8	8
8	402 2242	Hex Nut M8	16	8	8

**BLIZZARD CYLINDERS, CYLINDER HEAD, EXHAUST SOCKET**

ITEM NO.	PART NO.	DESCRIPTION	QUANTITY		
			436	636	776
8	402 2243	Hex Nut M10 .....		8	8
9	402 0123	Stud M8x37 .....	4		
9	402 2159	Stud M8x41 .....		4	4
10	402 2170	Isolating Flange, 18.5MM Thick .....	2		
10	402 2171	Isolating Flange, 20MM Thick .....		2	2
11	402 2072	Isolating Washer .....	4	4	4
12	402 0018	Hex Nut M8 .....	4	4	4
13	402 2245	Exhaust Socket .....	2		
13	402 2244	Exhaust Socket .....		2	2
14	404 0039	Tillotson Carburator Flange Gasket .....	4		
14	404 0212	Tillotson Carburator Flange Gasket .....		4	4

BLIZZARD, MAGNETO GENERATOR 12V 75W, MAGNETO HOUSING

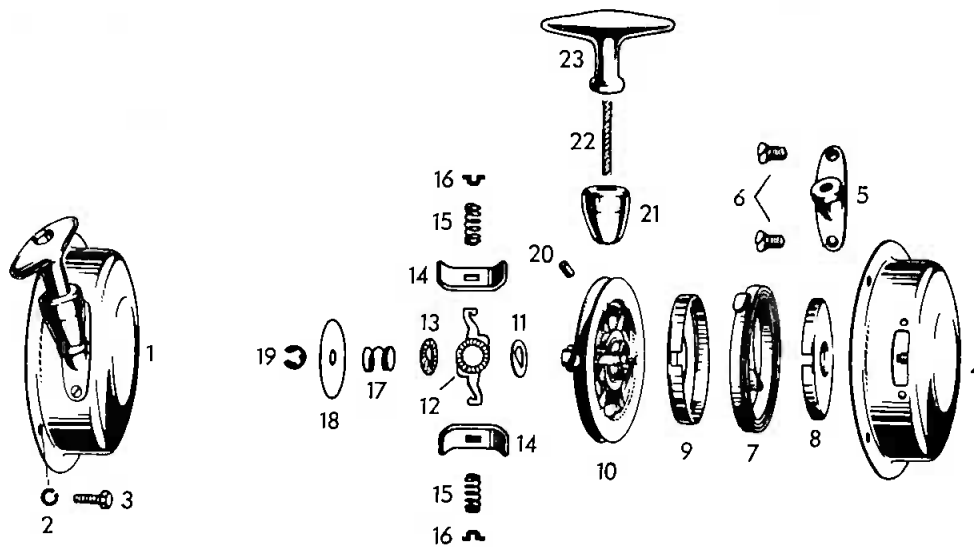


ITEM NO.	PART NO.	DESCRIPTION	QUANTITY		
			436	636	776
1-2-3-4					
5-6-7	402 4219	Magneto Generator Ass'y 12V75W .....	1	1	1
3	402 4213	Condenser W/Cables 110/140MM .....	1	1	1

**BLIZZARD, MAGNETO GENERATOR 12V 75W, MAGNETO HOUSING**

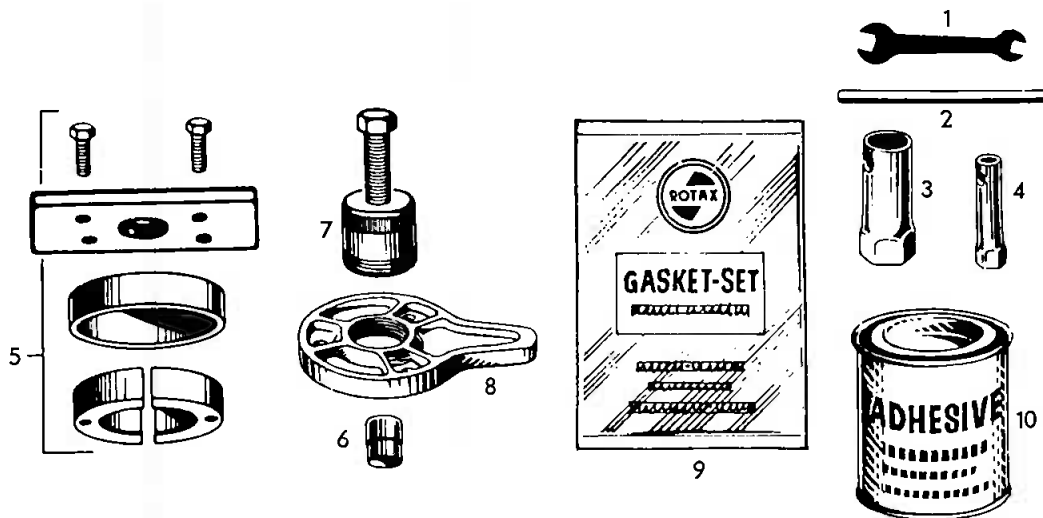
ITEM NO.	PART NO.	DESCRIPTION	QUANTITY		
			436	636	776
4	402 4211	Control Cable Ass'y Yellow 260MM	1	1	1
5	402 4209	Charging Cable Ass'y Red 260MM	2	2	2
6	402 4212	Control Cable Ass'y Violet 300MM	1	1	1
7	402 0168	Rubber Sleeve 55MM	1	1	1
8	402 0015	Lock Washer 6	4	4	4
9	402 4148	Cyl. Screw M6x10.5 W/Int. Hex	4	4	4
10	402 4208	Magneto Housing	1	1	1
11	402 5050	Stud M8x15	3	3	3
12	402 0162	V-Belt Pulley	1	1	1
13	402 1158	Locking Washer 8	3	3	3
14	402 0134	Hex Nut 8	3	3	3
15	402 4207	Ignition Box	1	1	1
16	402 2019	Stud M6x14	4	4	4
17	402 0015	Lock Washer 6	4	4	4
18	402 2053	Hex Nut M6	4	4	4
19	402 7016	Lock Washer 4 (Kit)	4	4	4
20	402 7016	Cyl. Screw M4x10 (Kit)	4	4	4
21	402 4204	Rubber Grommet	1	1	1
22	402 7008	Ignition Coil	2	2	2
23	402 4024	Lock Washer 5	6	6	6
24	402 7004	Cyl. Screw M5x22	6	6	6
25	402 7003	Protection Cap	2	2	2
26	402 4214	Ignition Cable 350MM	2		
26	402 4215	Ignition Cable 390MM		2	2
27	402 4076	Spark Plug Protector Ass'y	2	2	2
28	402 4081	Spark Plug M310T1	2	2	2
29	402 0148	Rubber Ring	2	2	2
30	402 4206	Ignition Box Cover	1	1	1
31	402 4205	Countersunk Screw M6x50	1	1	1
32	402 4210	Switch Cable Ass'y Blue 140MM	2	2	2
33	402 4217	Plug Insert Ass'y Red	1	1	1
33	402 4218	Plug Insert Ass'y Violet	2	2	2
34	402 4216	Charging Coil Ass'y W/Cables	1	1	1
35	402 4024	Lock Washer 5	4	4	4
36	402 2229	Cyl. Screw M5x20	2	2	2
37	402 4155	Lighting Coil W/Cables 700MM	1	1	1
38	402 4048	Cyl. Screw M5x28	2	2	2
39	402 4176	Faston Connector 6.3	2	2	2
40	402 4133	Washer 5.3	2	2	2
41	402 4024	Lock Washer 5	2	2	2
42	402 2227	Cyl. Screw M5x16	2	2	2
43	402 4222	Push Button Switch	1	1	1

# BLIZZARD REWIND STARTER

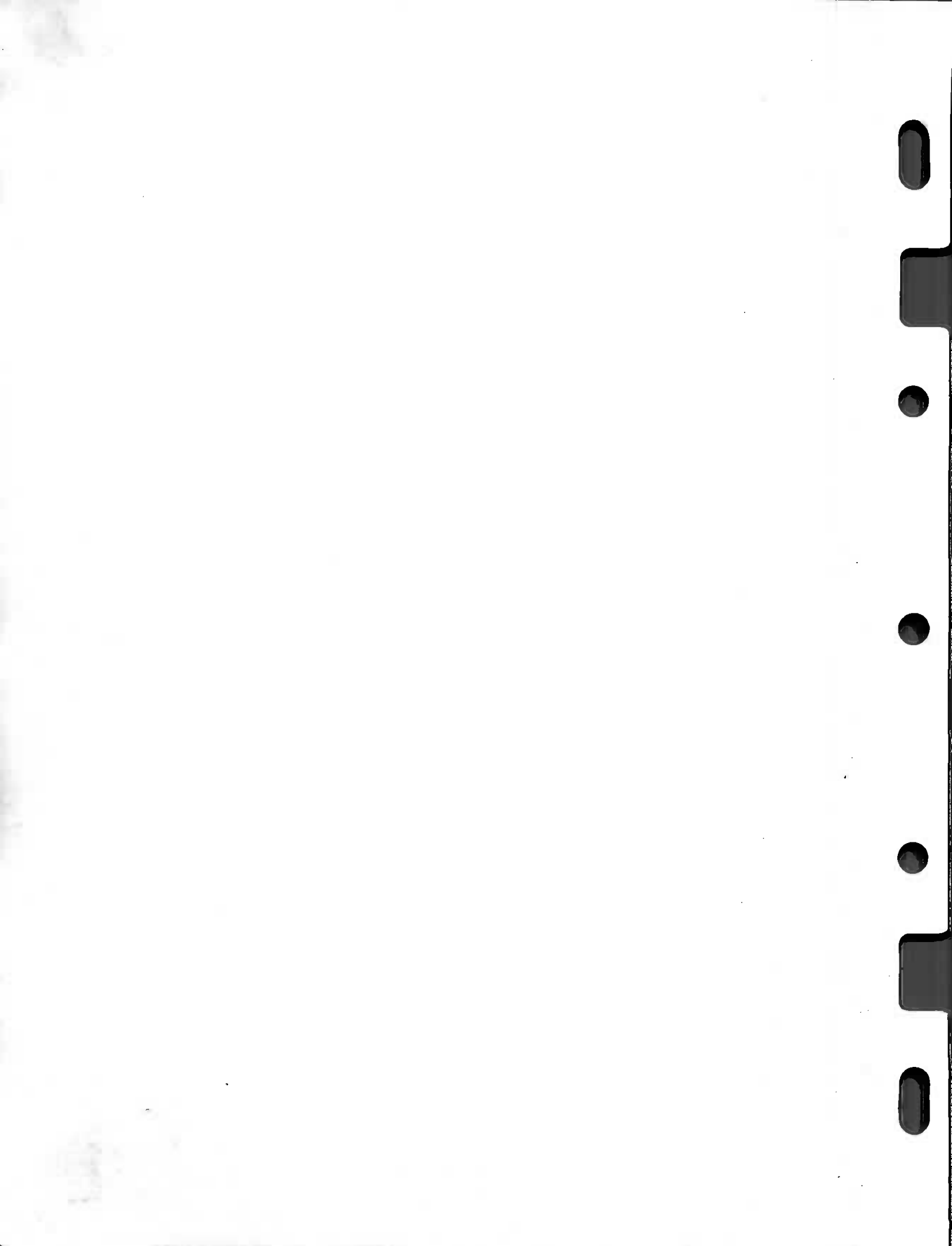


ITEM NO.	PART NO.	DESCRIPTION	QUANTITY		
			436	636	776
1	402 5046	Rewind Starter Ass'y	1	1	1
2	402 0015	Lock Washer 6	4	4	4
3	402 5011	Hex. Screw M6x15	4	4	4
4	402 7058	Starter Housing	1	1	1
5	402 5036	Starter Stop	1	1	1
6	402 5037	Countersunk Screw M5x8	2	2	2
7-8-9	402 5023	Spring Cartridge Ass'y	1	1	1
7	402 5022	Rewind Spring	1	1	1
8	402 5038	Spring Guide	1	1	1
9	402 5044	Cover, Spring Guide	1	1	1
10	402 5047	Rope Sheave	1	1	1
11	402 5026	D-Washer	1	1	1
12	402 5028	Pivot Arm	1	1	1
13	402 5027	Friction Washer	1	1	1
14	402 5029	Pawl	2	2	2
15	402 5030	Pawl Spring	2	2	2
16	402 5031	Pawl Spring Stop	2	2	2
17	402 5032	Friction Spring	1	1	1
18	402 5033	Cover Washer	1	1	1
19	402 5034	Circlip	1	1	1
20	402 5016	Bolt 5x6, Starter Rope	1	1	1
21	402 5039	Rubber Buffer	1	1	1
22	402 5018	Starter Rope 1200MM	1	1	1
23	402 5019	Starter Grip	1	1	1

BLIZZARD REPAIR TOOLS



ITEM NO.	PART NO.	DESCRIPTION	QUANTITY		
			436	636	776
1-2-3-4	402 8025	Tool Set Ass'y . . . . .	1	1	1
1	402 8023	Fork Wrench 10/13MM . . . . .	1	1	1
2	402 8039	Bolt 8x130, Socket Wrench . . . . .	1	1	1
3	402 8022	Socket Wrench 26MM, Spark Plug . . . . .	1	1	1
4	402 8024	Socket Wrench 13MM . . . . .	1	1	1
5	402 8001	Remover Ass'y Bearing 6305 . . . . .	1		
5	402 8002	Remover Ass'y Bearing 6306 . . . . .		1	1
6	402 8005	Protection Cap 18MM . . . . .	1	1	1
7	402 8044	Puller Ass'y Flywheel . . . . .	1	1	1
8	402 8045	Wrench To Hold Magneto Housing . . . . .	1	1	1
9	402 9018	Gasket Set Ass'y . . . . .	1		
9	402 9019	Gasket Set Ass'y . . . . .		1	1
10	402 9015	Adhesive 1 Sarplast L700, Can . . . . .	1	1	1





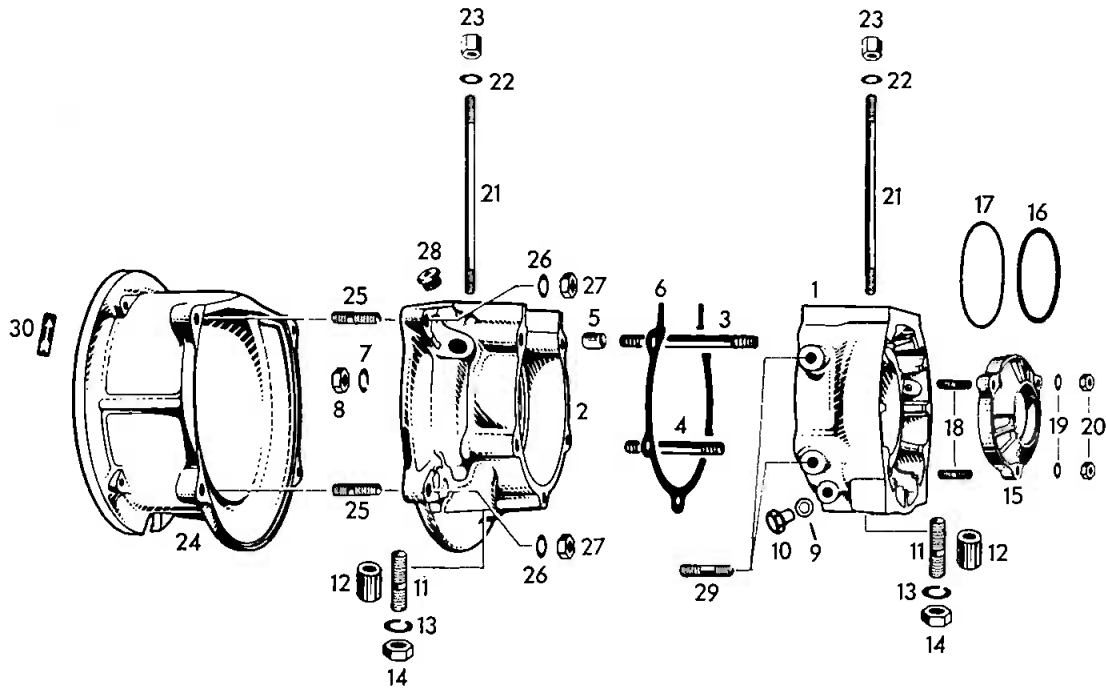
# ROTAX ENGINE

1970

BLIZZARD 292

BLIZZARD 340

# BLIZZARD CRANKCASE IGNITION HOUSING

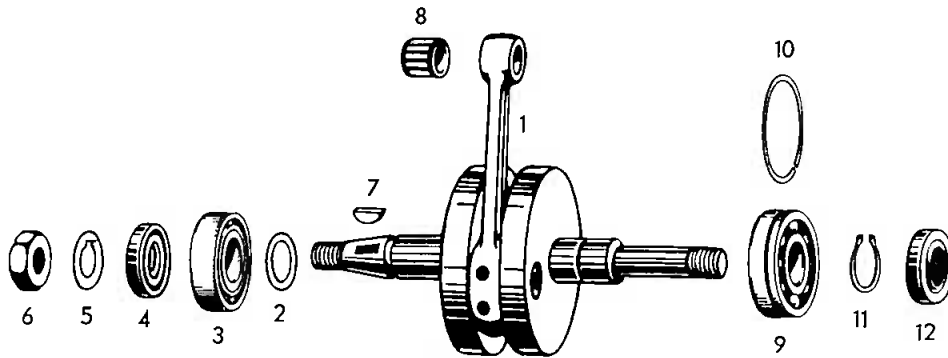


ITEM NO.	PART NO.	DESCRIPTION	QUANTITY	
			292	340
1-2-3-4-5	402 0206	Crankcase Ass'y . . . . .	1	1
3	402 0007	Stud M8 x 56 . . . . .	2	2
4	402 0009	Stud M8 x 46 . . . . .	3	3
5	402 1015	Dowel Tube 10 $\phi$ x 15 . . . . .	2	2
6	402 0014	Gasket, Crankcase . . . . .	1	1
7	402 0016	Lock Washer 8 . . . . .	5	5
8	402 0017	Hex. Nut M8 . . . . .	5	5
9	402 0019	Sealing Ring . . . . .	1	1
10	402 0020	Hex. Screw M8 x 9. Oil Drain . . . . .	1	1
11	402 0023	Stud M10 x 42 . . . . .	4	4
12	402 0091	Distance Sleeve . . . . .	4	4
13	402 0025	Lock Washer 10 . . . . .	4	4
14	402 0026	Hex Nut M10 . . . . .	4	4
15-16-17	402 0207	Bearing Cover W. O-Rings . . . . .	1	1
16	402 0112	O-Ring . . . . .	1	1
17	402 0208	O-Ring . . . . .	1	1
18	402 0047	Stud M6 x 18 . . . . .	3	3
19	402 0015	Lock Washer 6 . . . . .	3	3
20	402 2053	Hex. Nut M6 . . . . .	3	3

BLIZZARD CRANKCASE, IGNITION HOUSING

ITEM NO.	PART NO.	DESCRIPTION	QUANTITY	
			292	340
21	402 0209	Stud M8 .....	4	4
22	402 0031	Washer 8.4 .....	4	4
23	402 2242	Hex. Nut M8 .....	4	4
24	402 0210	Ignition Housing .....	1	1
25	402 0030	Stud M8 x 21.5 .....	4	4
26	402 0016	Lock Washer 8 .....	4	4
27	402 0018	Hex. Nut M8 .....	4	4
28	402 0211	Cable Grommet .....	1	1
29	402 0212	Stud M8 x 13 .....	2	2
30	402 0092	Direction Plate .....	1	1

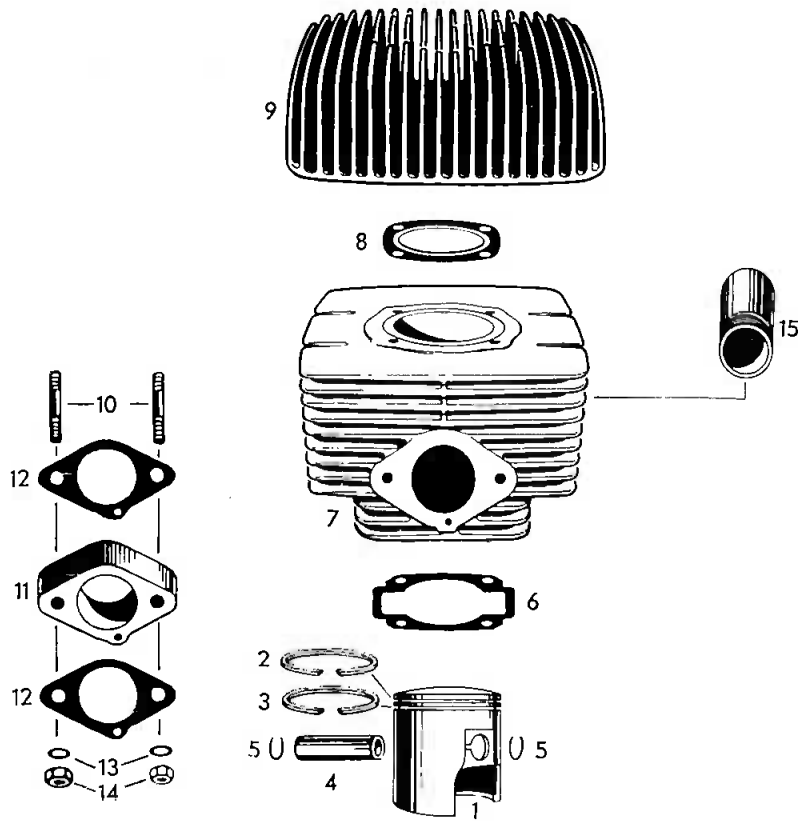
# BLIZZARD CRANKSHAFT, BEARINGS



ITEM NO.	PART NO.	DESCRIPTION	QUANTITY	
			292	340
1	402 1255	Crankshaft Ass'y . . . . .	1	
1	402 1256	Crankshaft Ass'y . . . . .		1
2	402 1026	Shim 1.0MM . . . . .	1	1
3	402 1257	Roller Bearing No 305 . . . . .	1	1
4	402 1258	Oil Seal . . . . .	1	1
5	402 1040	Lock Washer . . . . .	1	1
6	402 1043	Hex. Nut M18 x 1.5 . . . . .	1	1
7	402 1010	Woodruff Key 5 x 6.5 . . . . .	1	1
8	402 1033	Needle Cage . . . . .	1	1
9-10	402 1007	Ball Bearing 6306 . . . . .	1	1
10	402 1105	Groove Ring . . . . .	1	1
11	402 1041	Lock Ring . . . . .	1	1
12	402 1259	Oil Seal . . . . .	1	1



# BLIZZARD, CYLINDER PISTON

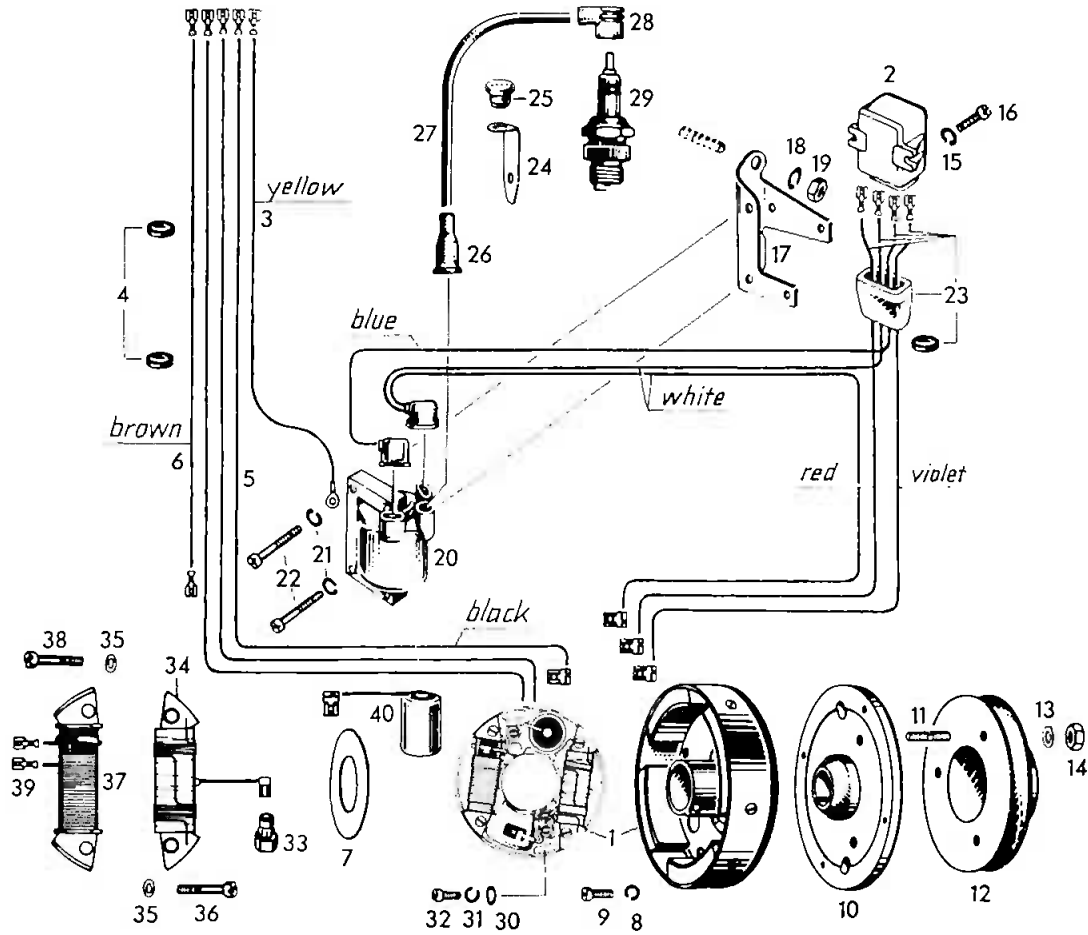


ITEM NO.	PART NO.	DESCRIPTION	QUANTITY	
			292	340
1-2-3	402 2259	Piston Ass. W. Rings 75.0ϕ Std . . . . .	1	
	402 2260	Piston Ass. W. Rings 75.5ϕ 1st Oversize . . . . .	1	
1-2-3	402 2261	Piston Ass. W. Rings 78.0ϕ Std . . . . .		1
	402 2262	Piston Ass. W. Rings 78.5ϕ 1st Oversize . . . . .		1
	402 2263	Piston Ass. W. Rings 79.0ϕ 2nd Oversize . . . . .		1
2	402 2266	L-Ring 75.0ϕ Std . . . . .	1	
	402 2267	L-Ring 75.5ϕ 1st Oversize . . . . .	1	
2	402 2268	L-Ring 78.0ϕ Std . . . . .		1
	402 2269	L-Ring 78.5ϕ 1st Oversize . . . . .		1
	402 2270	L-Ring 79.0ϕ 2nd Oversize . . . . .		1
3	402 2273	Rectangular Ring 75.0ϕ Std . . . . .	1	
	402 2274	Rectangular Ring 75.5ϕ 1st Oversize . . . . .	1	
3	402 1178	Rectangular Ring 78.0ϕ Std . . . . .		1
	402 1179	Rectangular Ring 78.5ϕ 1st Oversize . . . . .		1
	402 2275	Rectangular Ring 79.0ϕ 2nd Oversize . . . . .		1
4	402 1064	Gudgeon Pin . . . . .	1	1
5	402 1067	Circlip 18, Gudgeon Pin . . . . .	2	2
6	402 2123	Gasket, Cylinder Flange . . . . .	1	1
7	402 2277	Cylinder W. Sleeve . . . . .	1	
7	402 2278	Cylinder W. Sleeve . . . . .		1

**BLIZZARD CYLINDER, PISTON**

ITEM NO.	PART NO.	DESCRIPTION	QUANTITY	
			292	340
8	402 2280	Gasket, Cylinder Head .....	1	1
9	402 2282	Cylinder Head .....	1	
9	402 2283	Cylinder Head .....		1
10	402 2159	Stud M8 x 41 .....	2	2
11	402 2171	Isolating Flange .....	1	1
12	404 0039	Tillotson Carburetor Flange Gasket .....	2	2
13	402 2072	Isolating Washer .....	2	2
14	402 0018	Hex. Nut M8 .....	2	2
15	402 2244	Exhaust Socket .....	1	1

# BLIZZARD MAGNETO 12V 75W, MAGNETO HOUSING



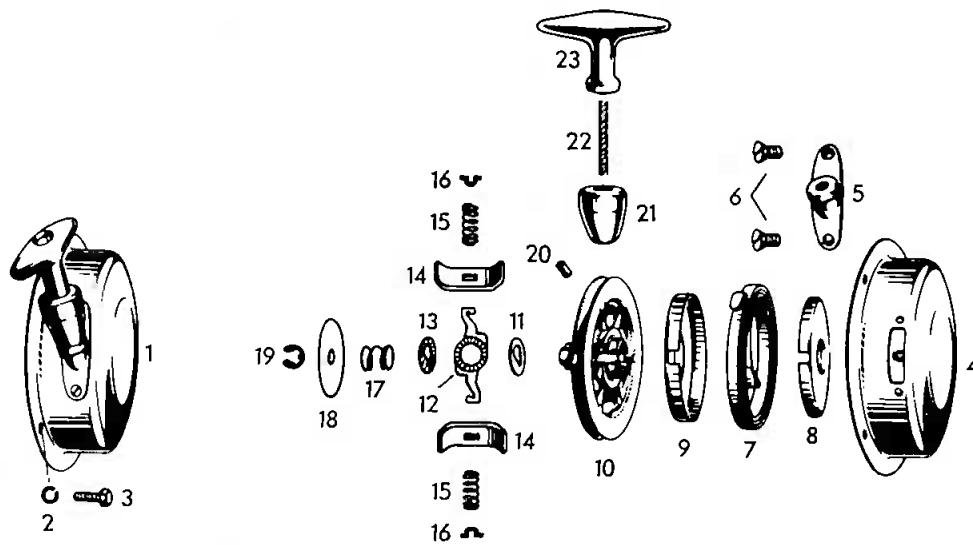
ITEM NO.	PART NO.	DESCRIPTION	QUANTITY	
			292	340
1-2-3-4-5-6	402 4220	Magneto Generator Ass'y 12V 75W	1	1
3	402 4223	Mass Cable Ass'y Yellow 430MM	1	1
4	402 4224	Rubber Ring	2	2
5	402 4225	Shorting Cable Ass'y Black 525MM	1	1
6	402 4226	Rear Light Cable Ass'y Brown 510MM	1	1
7	402 4227	Isolating Plate	1	1
8	402 0015	Lock Washer 6	4	4
9	402 4148	Cyl. Screw M6 x 11.5	4	4
10	402 4208	Magneto Housing	1	1
11	402 5050	Stud M8x15	3	3
12	402 0162	V-Belt Pulley	1	1
13	402 1158	Locking Washer 8	3	3
14	402 2041	Hex. Nut M8	3	3
15	402 4023	Lock Washer 4	2	2
16	402 4056	Cyl. Screw M4 x 10	2	2



**BLIZZARD MAGNETO 12V 75W, MAGNETO HOUSING**

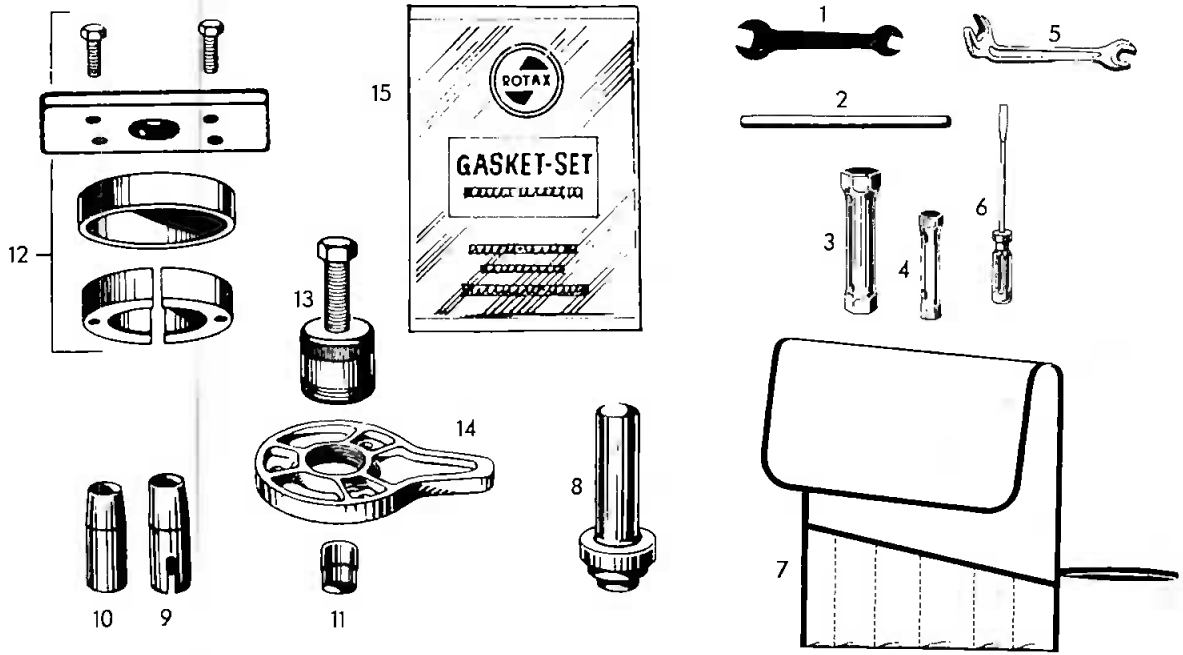
ITEM NO.	PART NO.	DESCRIPTION	QUANTITY	
			292	340
17	402 4228	Ignition Bracket .....	1	1
18	402 0016	Lock Washer 8 .....	2	2
19	402 2041	Hex. Nut M8 .....	2	2
20	402 7008	Ignition Coil .....	1	1
21	402 4024	Lock Washer 5 .....	3	3
22	402 2229	Cyl. Screw M5 x 20 .....	3	3
23	402 4229	Cable Set Ass'y .....	1	1
24	402 4230	Ignition Cable Bracket .....	1	1
25	402 4231	Grommet .....	1	1
26	402 7003	Protection Cap .....	1	1
27	402 4032	Ignition Cable 500MM .....	1	1
28	402 4076	Spark Plug Protector Ass'y .....	1	1
29	402 4081	Spark Plug M310 T31 .....	1	1
30	402 4133	Washer 5.3 .....	2	2
31	402 4024	Lock Washer 5 .....	2	2
32	402 2227	Cyl. Screw M5 x 16 W. 1nt. Hex. ....	2	2
33	402 4217	Plug Insert Ass'y Red .....	1	1
33	402 4218	Plug Insert Ass'y Violet .....	1	1
33	402 4233	Plug Insert Ass'y White .....	1	1
34	402 4234	Charging Coil Ass'y W. Cable .....	1	1
35	402 4024	Lock Washer 5 .....	4	4
36	402 2229	Cyl. Screw M5 x 20 .....	2	2
37	402 4155	Lighting Coil W. Cables 700MM .....	1	1
38	402 4048	Cyl. Screw M5 x 28 .....	2	2
39	402 4176	Faston Connector 6.3 .....	2	2
40	402 4235	Condenser W. Cable .....	1	1

# BLIZZARD - REWIND STARTER



ITEM NO.	PART NO.	DESCRIPTION	QUANTITY	
			292	340
1	402 5046	Rewind Starter Ass'y	1	1
2	402 0015	Lock Washer 6	4	4
3	402 5011	Hex. Screw M6 x 15	4	4
4	402 7058	Starter Housing	1	1
5	402 5036	Starter Stop	1	1
6	402 5037	Countersunk Screw M5 x 8	2	2
7-8-9	402 5023	Spring Cartridge Ass'y	1	1
7	402 5022	Rewind Spring	1	1
8	402 5038	Spring Guide	1	1
9	402 5044	Cover Spring Guide	1	1
10	402 5047	Rope Sheave	1	1
11	402 5026	D-Washer	1	1
12	402 5028	Pivot Arm	1	1
13	402 5027	Friction Washer	1	1
14	402 5029	Pawl	2	2
15	402 5030	Pawl Spring	2	2
16	402 5031	Pawl Spring Stop	2	2
17	402 5032	Friction Spring	1	1
18	402 5033	Cover Washer	1	1
19	402 5034	Circlip	1	1
20	402 5016	Bolt 5 x 6, Starter Rope	1	1
21	402 5039	Rubber Buffer	1	1
22	402 5018	Starter Rope 1200MM	1	1
23	402 5019	Starter Grip	1	1

# BLIZZARD - REPAIR TOOLS GASKET SET



ITEM NO.	PART NO.	DESCRIPTION	QUANTITY	
			292	340
1-2-3-4-5-6-7		Tool Bag W. Tools Ass'y	1	1
1	402 8062	Fork Wrench 11/13MM	1	1
2	402 8039	Bolt 8 x 130, Socket Wrench	1	1
3	402 8060	Socket Wrench 21/26MM	1	1
4	402 8059	Socket Wrench 11/13MM	1	1
5	402 8049	Angular Wrench 10/13 MM	1	1
6	402 8061	Screw Driver	1	1
7	402 8058	Tool Bag	1	1
8	402 8028	Stamp To Mount Oil Seal, Magneto Side	1	1
8	402 8037	Stamp To Mount Oil Seal, P. T.O. Side	1	1
9	402 8010	Sleeve For Oil Seal, Magneto Side	1	1
10	402 8011	Sleeve For Oil Seal, P.T.O. Side	1	1
11	402 8005	Protection Cap 18MM	1	1
12	402 8002	Puller For Bearing 6306	1	1
13	402 8044	Puller Ass'y For Flywheel	1	1
14	402 8045	Wrench To Hold Magneto Housing	1	1
15	402 8064	Gasket Set Ass'y	1	1

