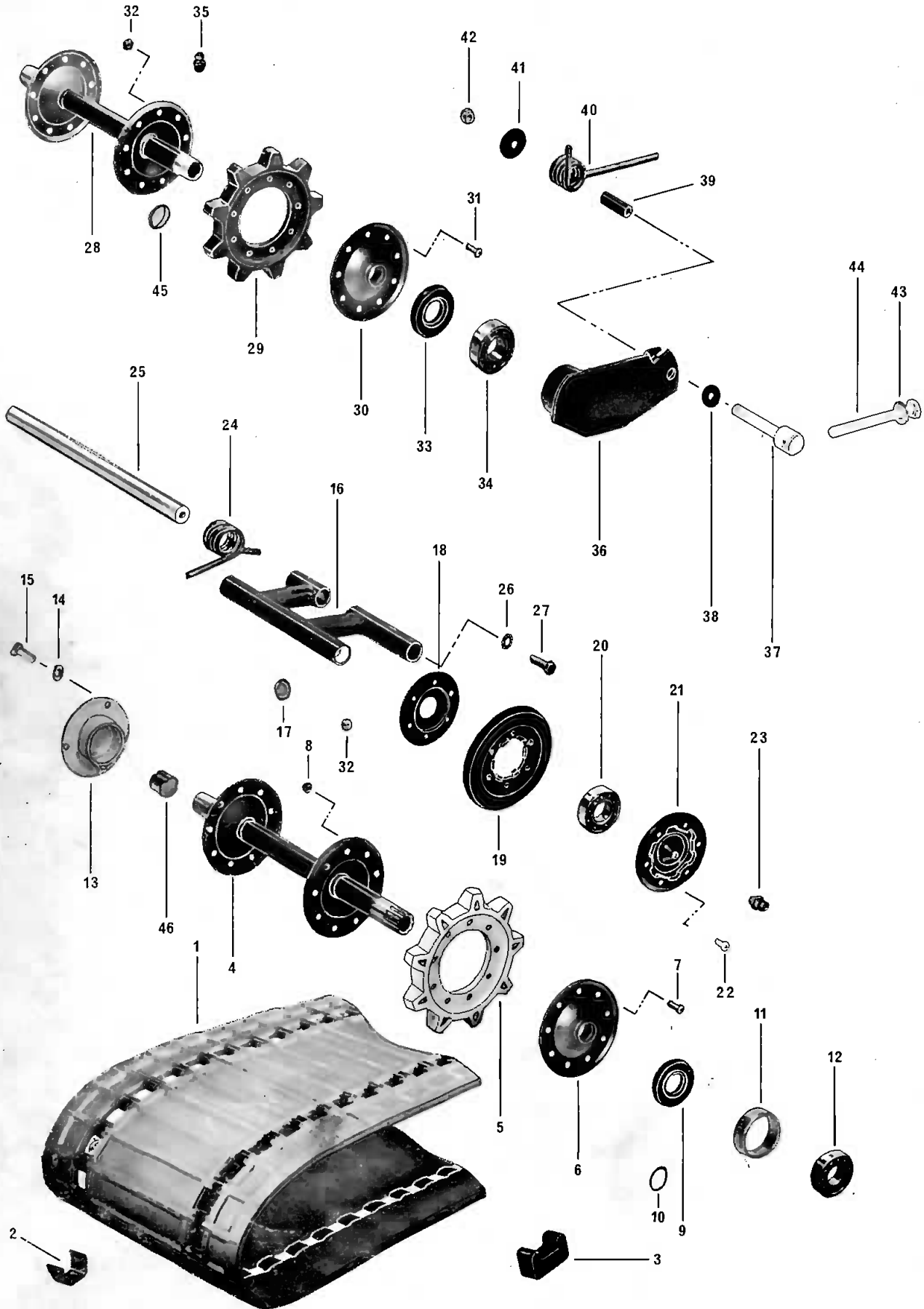


# **SECTION 1**

**TRACK  
DRIVE (AXLE)  
WHEEL  
SUSPENSION  
TRANSMISSION  
SKI  
STEERING/BRAKE**

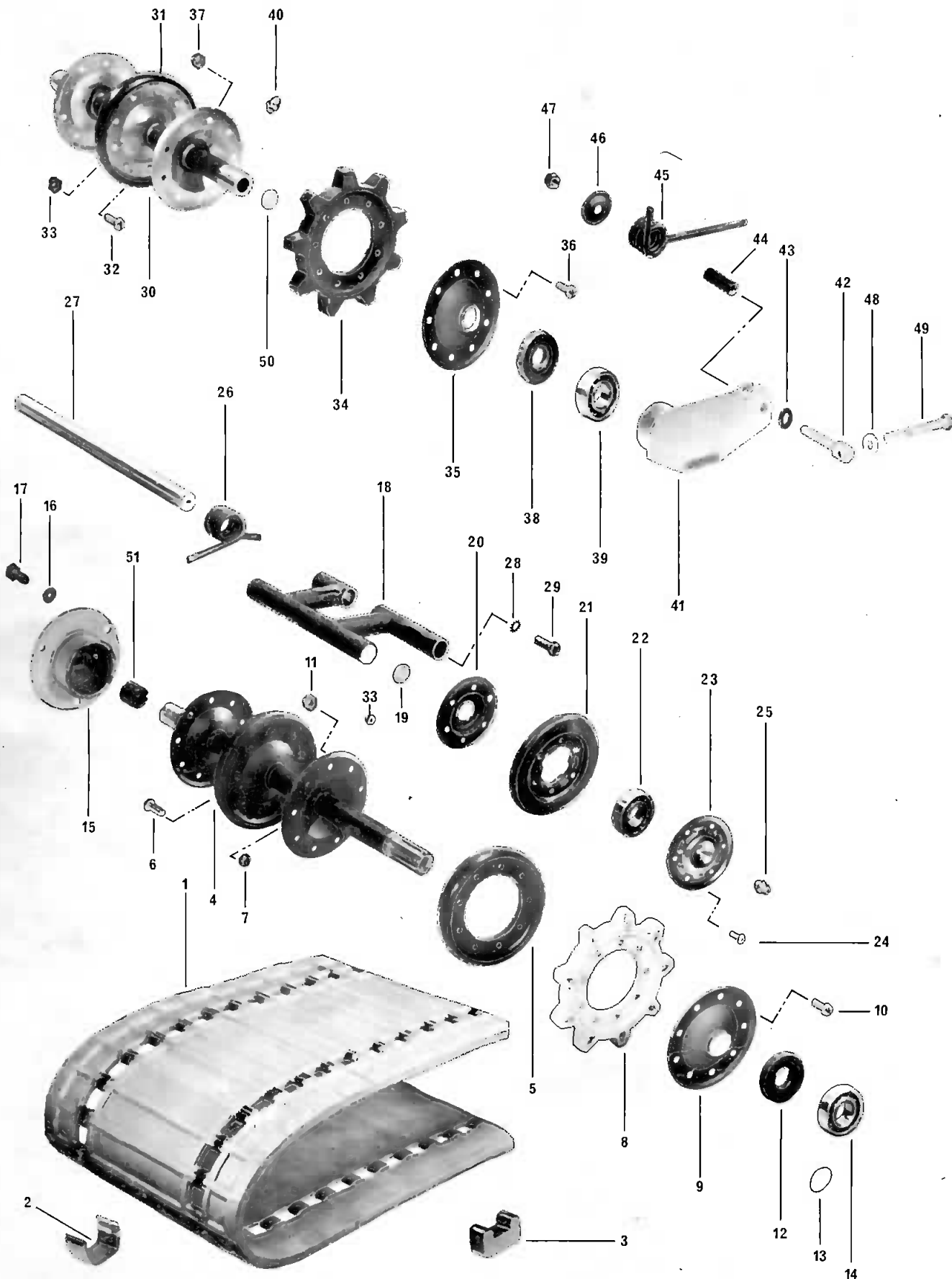
# SUSPENSION (OLYMPIC)



# SUSPENSION (OLYMPIC)

ITEM NO.	PART NO.	DESCRIPTION	QUANTITY					
			12/3	335	335E	399	TNT 292	TNT 340
1	570 0002	Track W/Insert .....	1	1	1	1	1	1
2	570 0003	Insert .....	AR	AR	AR	AR	AR	AR
3	529 0003	Insert Block (Tool) .....	AR	AR	AR	AR	AR	AR
4	501 0022	Drive Axle .....	1	1	1		1	1
4	501 0026	Drive Axle .....				1		
5	414 0001	Sprocket .....	2	2	2	2	2	2
6	501 0018	Mobile Flange .....	2	2	2	2	2	2
7	320 1102	Screw .....	18	18	18	18	18	18
8	387 2019	Nut .....	18	18	18	18	18	18
9	581 1017	Seal W/Spring .....	2	2	2	2	2	2
10	414 0153	Spring for Seal .....	2	2	2	2	2	2
11	501 0015	Spacer.....				1		
12	405 4002	Bearing .....	2	2	2	2	2	2
13	501 0007	End Bearing Housing .....	1	1	1	1		
13	501 0011	End Bearing Housing .....					1	1
14	392 0019	Washer .....	3	3	3	3	3	3
15	300 0000	Screw .....	3	3	3	3	3	3
16	502 0002	Wheel Support .....	6	6	6	6	6	6
17	502 0011	Cap .....	12	12	12	12	12	12
18	502 0015	Inner Flange .....	12	12	12	12	12	12
19	570 0205	Wheel Tire .....	12	12	12	12	12	12
20	405 4002	Bearing.....	12	12	12	12	12	12
21	502 0016	Outer Flange .....	12	12	12	12	12	12
22	320 1062	Screw .....	72	72	72	72	72	72
23	408 2001	Grease Fitting .....	12	12	12	12	12	12
24	502 0010	Spring (Front 1/4 Ø) .....	4	4	4	4	4	4
24	502 0020	Spring (Rear 9/32 Ø) <i>5020029</i> .....	2	2	2	2	2	2
25	502 0008	Cross Shaft .....	3	3	3	3	3	3
26	399 8001	Washer .....	6	6	6	6	6	6
27	300 8043	Screw .....	6	6	6	6	6	6
28	503 0043	Rear Hub .....	1	1	1	1	1	1
29	570 0101	Sprocket.....	2	2	2	2		
29	414 0327	Sprocket.....					2	2
30	501 0018	Mobile Flange .....	2	2	2	2	2	2
31	320 1062	Screw .....	18	18	18	18	18	18
32	387 3013	Nut .....	90	90	90	90	90	90
33	570 0301	Seal .....	2	2	2	2	2	2
34	405 4002	Bearing .....	2	2	2	2	2	2
35	408 2001	Grease Fitting .....	2	2	2	2	2	2
36	503 0035	R.H. Link Plate .....	1	1	1	1	1	1
36	503 0036	L.H. Link Plate .....	1	1	1	1	1	1
37	503 0028	Adjuster Eye Bolt .....	2	2	2	2	2	2
38	503 0044	Hardener Washer .....	2	2	2	2	2	2
39	503 0040	Adjuster Sleeve .....	2	2	2	2	2	2
40	503 0033	R.H. Spring .....	1	1	1	1	1	1
40	503 0034	L.H. Spring .....	1	1	1	1	1	1
41	503 0016	Retainer Washer .....	2	2	2	2	2	2
42	389 8037	Nut .....	2	2	2	2	2	2
43	399 9007	Washer .....	2	2	2	2	2	2
44	309 8027	Screw .....	2	2	2	2	2	2
45	503 0049	Cap .....	2	2	2	2	2	2
46	414 0361	Speedo Drive Insert .....					1	1

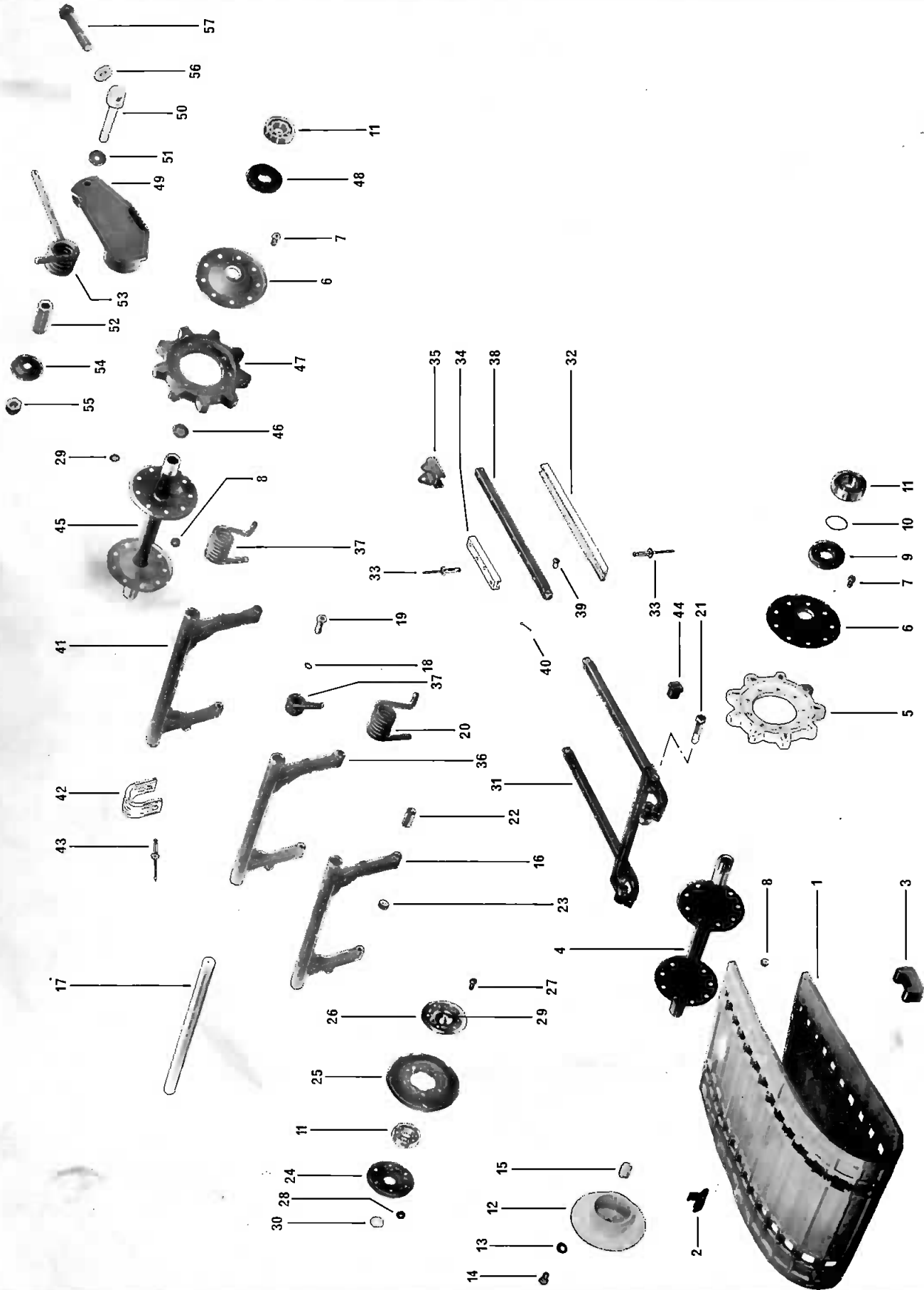
# SUSPENSION (NORDIC)



## SUSPENSION (NORDIC)

ITEM NO.	PART NO.	DESCRIPTION	QUANTITY				
			399	399E	640E	TNT 399	TNT 640
1	570 0004	Track W/Insert .....	1	1		1	1
1	570 0007	Track W/Insert .....			1		
2	570 0003	Insert .....	AR	AR	AR	AR	AR
3	529 0003	Insert Block (Tool) .....	AR	AR	AR	AR	AR
4	501 0023	Drive Axle W/Idler .....	1	1		1	
4	501 0025	Drive Axle W/Idler .....			1		1
5	570 0304	Idler .....	1	1	1	1	1
6	320 1062	Screw .....	9	9	9	9	9
7	387 3013	Nut .....	9	9	9	9	9
8	414 0001	Sprocket .....	2	2	2	2	2
9	501 0018	Mobile Flange .....	2	2	2	2	2
10	320 1102	Screw .....	18	18	18	18	18
11	387 2019	Nut .....	18	18	18	18	18
12	581 1017	Seal W/Spring .....	2	2	2	2	2
13	414 0153	Spring for Seal .....	2	2	2	2	2
14	405 4002	Bearing .....	2	2	2	2	2
15	501 0007	End Bearing Housing .....	1	1		1	
15	501 0011	End Bearing Housing .....			1	1	1
16	392 0019	Washer .....	3	3	3	3	3
17	300 0000	Screw .....	3	3	3	3	3
18	502 0021	Wheel Support .....	6	6	6	6	6
19	502 0011	Cap .....	12	12	12	12	12
20	502 0015	Inner Flange .....	12	12	12	12	12
21	570 0205	Wheel Tire .....	12	12			
21	570 0206	Wheel Tire W/ Cotton .....			12	12	12
22	405 4002	Bearing .....	12	12	12	12	12
23	502 0016	Outer Flange .....	12	12	12	12	12
24	320 1062	Screw .....	72	72	72	72	72
25	408 2001	Grease Fitting .....	12	12	12	12	12
26	502 0010	Spring Front 1/4 Ø .....	4	4	4	4	4
26	502 0020	Spring Rear 9/32 Ø .....	2	2	2	2	2
27	502 0014	Cross Shaft .....	3	3	3	3	3
28	399 8001	Washer .....	6	6	6	6	6
29	300 8043	Screw .....	6	6	6	6	6
30	503 0050	Rear Hub .....	1	1	1	1	1
31	570 0304	Idler .....	1	1	1	1	1
32	320 1062	Screw .....	9	9	9	9	9
33	387 3013	Nut .....	81	81	81	81	81
34	570 0101	Sprocket .....	2	2			
34	414 0327	Sprocket .....			2	2	2
35	501 0018	Mobile Flange .....	2	2	2	2	2
36	320 1062	Screw .....	18	18	18	18	18
37	387 3013	Nut .....	18	18	18	18	18
38	570 0301	Seal .....	2	2	2	2	2
39	405 4002	Bearing .....	2	2	2	2	2
40	408 2001	Grease Fitting .....	2	2	2	2	2
41	503 0035	R.H. Link Plate .....	1	1	1	1	1
41	503 0036	L.H. Link Plate .....	1	1	1	1	1
42	503 0028	Adjuster Eye Bolt .....	2	2	2	2	2
43	503 0044	Hardened Washer .....	2	2	2	2	2
44	503 0040	Adjuster Sleeve .....	2	2	2	2	2
45	503 0033	R.H. Spring .....	1	1	1	1	1
45	503 0034	L.H. Spring .....	1	1	1	1	1
46	503 0016	Retainer Washer .....	2	2	2	2	2
47	389 8037	Nut .....	2	2	2	2	2
48	399 9007	Washer .....	2	2	2	2	2
49	309 8027	Screw .....	2	2	2	2	2
50	503 0049	Cap .....	2	2	2	2	2
51	414 0361	Speedo Drive Insert .....			1	1	1

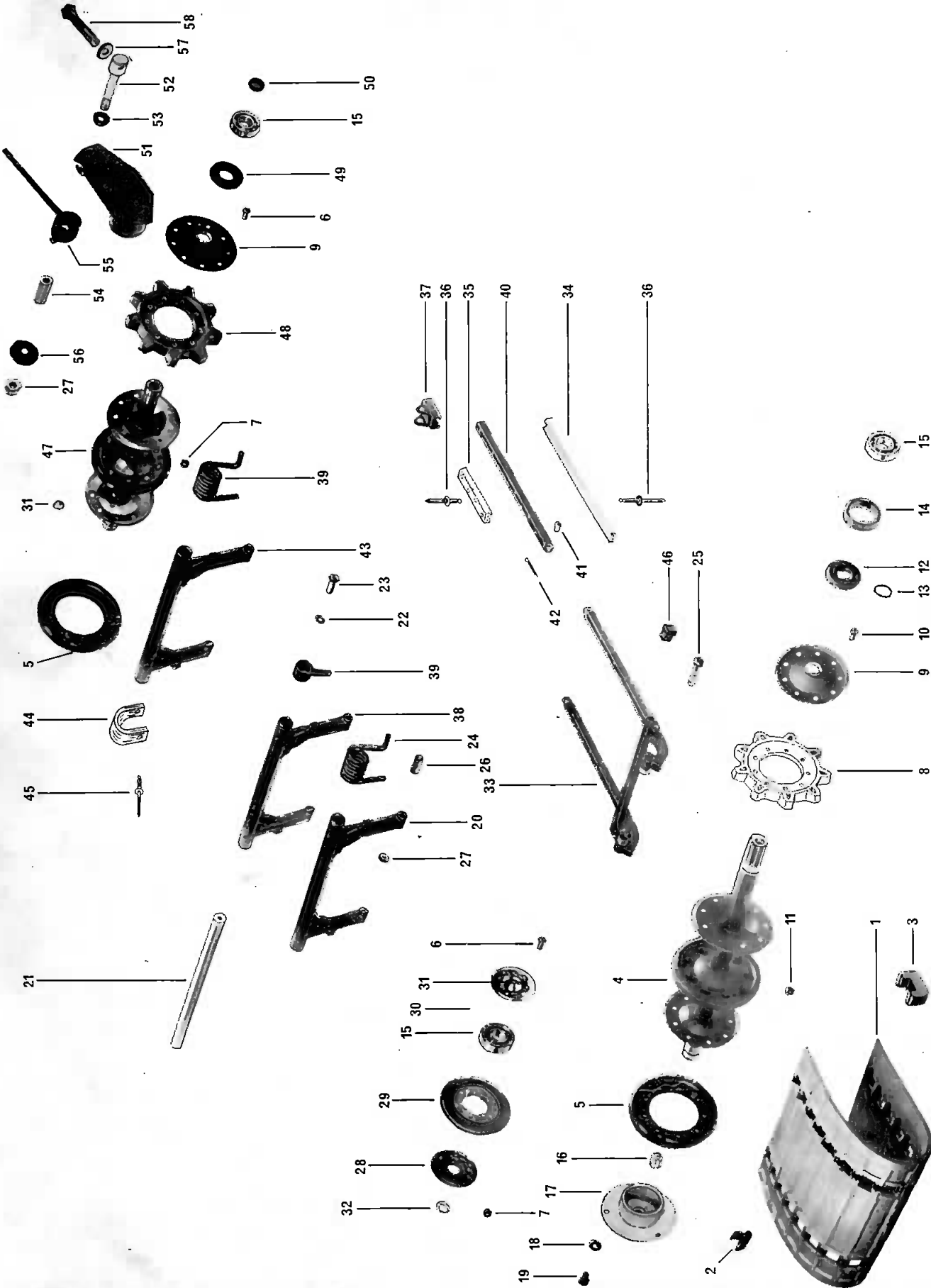
# SUSPENSION (OLYMPIC)



# SUSPENSION (OLYMPIC)

ITEM NO.	PART NO.	DESCRIPTION	QUANTITY	
			TNT 2925	TNT 3405
1	570 0010	Track W/Insert .....	1	1
2	570 0008	Insert .....	AR	AR
3	529 0003	Insert Block (Tool) .....	AR	AR
4	501 0022	Drive Axle .....	12	12
5	414 0001	Sprocket .....	4	4
6	501 0018	Mobile Flange .....	18	18
7	320 1102	Screw .....	18	18
8	387 2019	Nut .....	2	2
9	581 1017	Seal W/Spring .....	2	2
10	414 0153	Spring for Seal .....	2	2
11	405 4002	Bearing .....	6	6
12	501 0011	End Bearing Housing .....	1	1
13	392 0019	Washer .....	3	3
14	300 0000	Screw .....	3	3
15	414 0361	Drive Insert .....	1	1
16	503 0056	Cross Support (Front) .....	1	1
17	502 0008	Cross Shaft .....	4	4
18	399 8001	Washer .....	8	8
19	300 8043	Screw .....	8	8
20	414 0523	L.H. Front Spring .....	1	1
20	414 0530	R.H. Front Spring .....	1	1
21	300 1048	Screw .....	8	8
22	503 0054	Sleeve .....	8	8
23	389 8037	Nut .....	8	8
24	502 0015	Inner Flange .....	2	2
25	570 0205	Wheel Tire .....	2	2
26	502 0016	Outer Flange .....	2	2
27	320 1062	Screw .....	30	30
28	387 3013	Nut .....	30	30
29	408 2001	Grease Fitting .....	4	4
30	502 0011	Cap .....	2	2
31	503 0057	Runner Tube (Front) .....	1	1
32	414 0525	Slider Shoe .....	4	4
33	390 4022	Rivet .....	44	44
34	414 0527	Sliding Pad .....	64	64
35	503 0055	Slider .....	64	64
36	503 0058	Cross Support (Center) .....	12	12
37	414 0524	L.H. Spring .....	3	3
37	414 0531	R.H. Spring .....	3	3
38	503 0059	Runner Tube (Rear) .....	2	2
39	414 0340	Clevis Pin .....	2	2
40	371 0011	Cotter Pin .....	2	2
41	503 0060	Cross Support (Rear) .....	24	24
42	414 0526	Track Protector .....	42	42
43	390 4023	Rivet .....	84	84
44	570 1728	End Cap .....	2	2
45	503 0043	Rear Hub .....	1	1
46	503 0049	Cap .....	2	2
47	414 0327	Sprocket .....	2	2
48	570 0301	Seal .....	2	2
49	503 0035	R.H. Link Plate .....	1	1
49	503 0036	L.H. Link Plate .....	1	1
50	503 0028	Adjuster Eye Bolt .....	2	2
51	503 0044	Hardened Washer .....	2	2
52	503 0040	Adjuster Sleeve .....	2	2
53	<del>503 0033</del> 503 0025	R.H. Spring .....	1	1
53	<del>503 0034</del> 503 0023	L.H. Spring .....	1	1
54	503 0016	Retainer Washer .....	2	2
55	389 8037	Nut .....	2	2
56	399 9007	Washer .....	2	2
57	309 8027	Screw .....	2	2

# SUSPENSION (NORDIC)

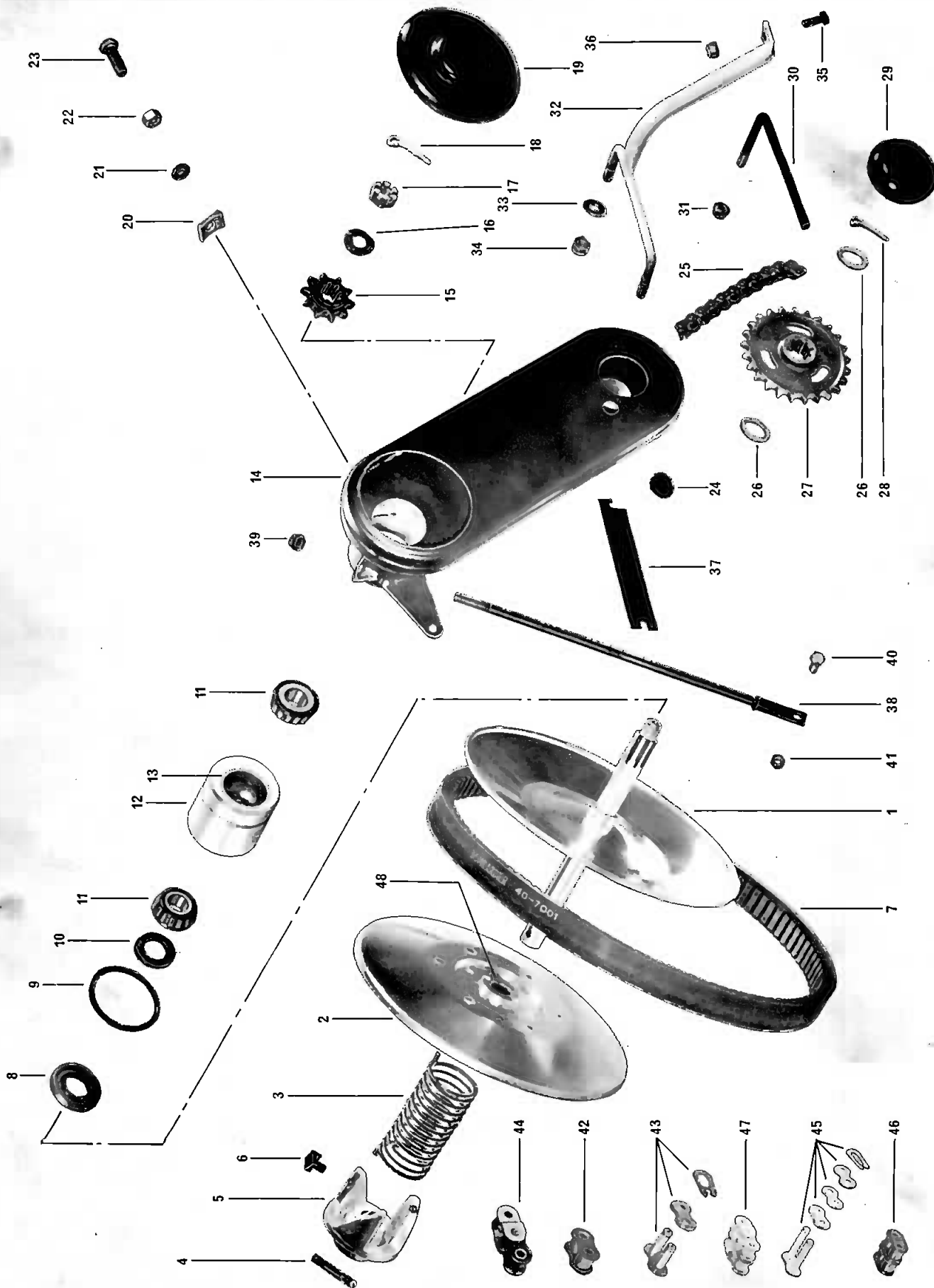




# SUSPENSION (NORDIC)

ITEM NO.	PART NO.	DESCRIPTION	QUANTITY	
			TNT 399S-	TNT 640S
1	570 0009	Track w/Insert.....	1	1
2	570 0008	Insert.....	AR	AR
3	529 0003	Insert Block (Tool).....	AR	AR
4	501 0023	Drive Axle.....	1	
4	501 0025	Drive Axle.....		1
5	570 0304	Idler.....	2	2
6	320 1062	Screw..... (Rear Hub)	48	48
7	387 3013	Nut..... (Rear Hub)	48	48
8	414 0001	Sprocket.....	<del>2</del>	<del>2</del>
9	501 0018	Mobile Flange.....	4	4
10	320 1102	Screw.....	18	18
11	387 2019	Nut.....	18	18
12	581 1017	Seal w/Spring.....	2	2
13	414 0153	Spring for Seal.....	2	2
14	<del>501 0039</del>	Spacer <i>501 0015</i> .....	1	1
15	405 4002	Bearing.....	6	6
16	414 0361	Drive Insert.....	1	1
17	501 0011	End Bearing Housing.....	1	1
18	392 0019	Washer.....	3	3
19	300 0000	Screw.....	3	3
20	503 0064	Cross Support (Front).....	1	1
21	502 0014	Cross Shaft.....	4	4
22	399 8001	Washer.....	8	8
23	300 8043	Screw.....	8	8
24	414 0523	L.H. Front Spring.....	1	1
24	414 0530	R.H. Front Spring.....	1	1
25	300 1048	Screw.....	8	8
26	503 0054	Sleeve.....	8	8
27	389 8037	Nut..... (2 Retainer Washers).....	10	10
28	502 0015	Inner Flange.....	2	2
29	570 0205	Wheel Tire.....	2	2
30	502 0016	Outer Flange.....	2	2
31	408 2001	Grease Fitting.....	2	2
32	502 0011	Cap..... (2 Rear Hubs)	<del>2</del>	<del>2</del>
33	503 0065	Runner Tube (Front).....	1	1
34	<del>414 0525</del>	Slider Shoe <i>503 0021</i> .....	4	4
35	414 0527	Sliding Pad.....	<del>6</del>	<del>6</del>
36	390 4022	Rivet.....	44	44
37	503 0055	Slider.....	<del>6</del>	<del>6</del>
38	503 0062	Cross Support (Center).....	14	14
39	414 0524	L.H. Spring.....	4	4
39	414 0531	R.H. Spring.....	4	4
40	503 0059	Runner Tube (Rear).....	2	2
41	<del>414 0532</del>	Clevis Pin <i>414 0340</i> .....	2	2
42	371 0011	Cutter Pin.....	2	2
43	503 0063	Cross Support (Rear).....	<del>2</del>	<del>2</del>
44	414 0526	Track Protector.....	<del>4</del>	<del>4</del>
45	390 4023	Rivet.....	<del>8</del>	<del>8</del>
46	570 1728	End Cap.....	2	2
47	503 0050	Rear Hub.....	1	1
48	414 0327	Sprocket.....	2	2
49	570 0301	Seal.....	2	2
50	503 0049	Cap.....	2	2
51	503 0035	R.H. Link Plate.....	1	1
51	503 0036	L.H. Link Plate.....	1	1
52	503 0028	Adjuster Eye Bolt.....	2	2
53	503 0044	Hardened Washer.....	2	2
54	503 0040	Adjuster Sleeve.....	2	2
55	<del>503 0033</del>	R.H. Spring <i>503 0025</i> .....	1	1
55	<del>503 0034</del>	L.H. Spring <i>503 0025</i> <i>503 0091</i> .....	1	1
56	503 0016	Retainer Washer.....	2	2
57	399 9007	Washer.....	2	2
58	309 8027	Screw.....	2	2

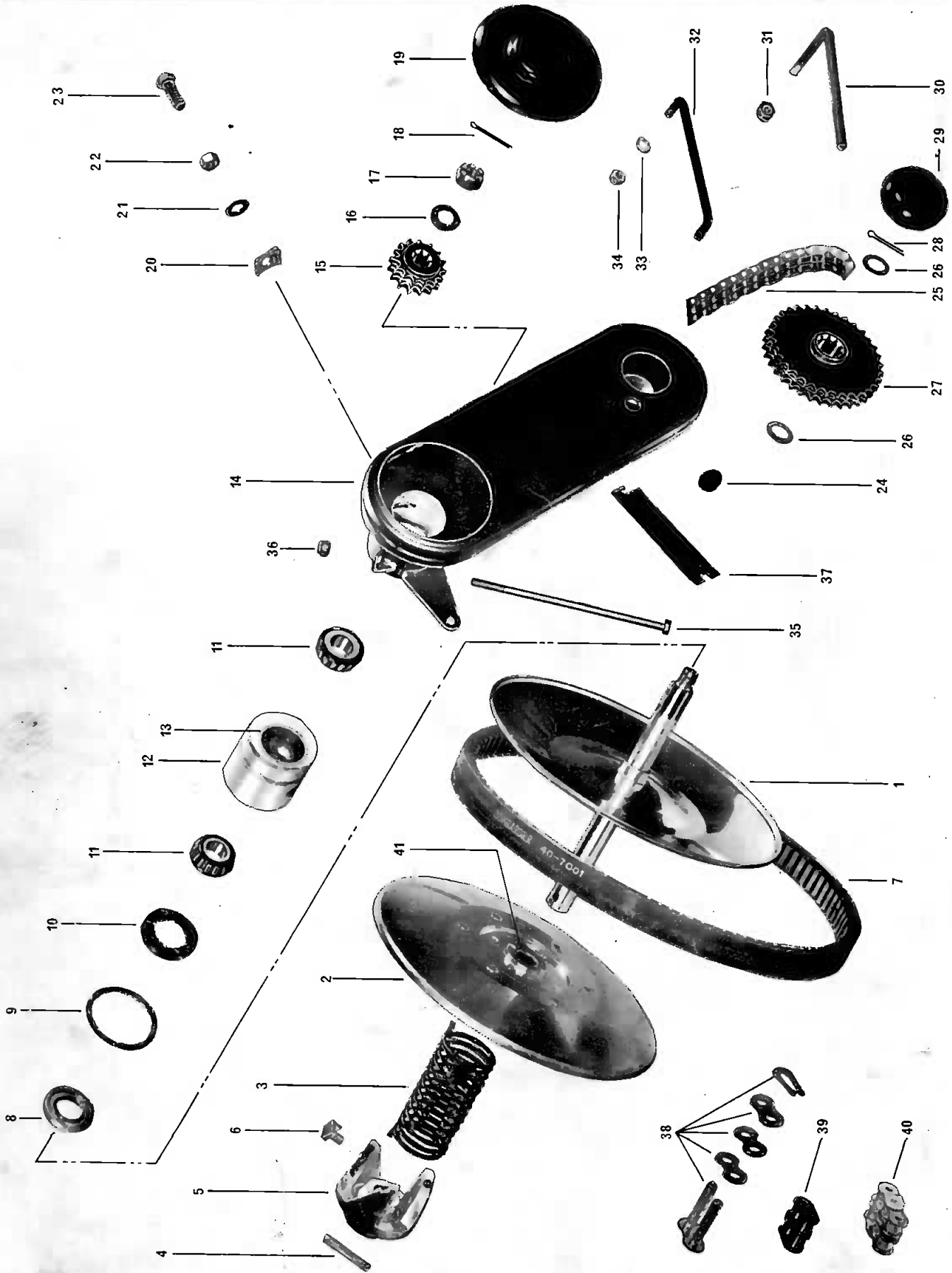
# TRANSMISSION (OLYMPIC)



# TRANSMISSION (OLYMPIC)

ITEM NO.	PART NO.	DESCRIPTION	QUANTITY							
			12/3	335	335E	399	TNT 292	TNT 340	TNT 292S	TNT 340S
1	504 1037	Fixed Pulley Half .....	1	1	1	1	1	1	1	1
2	504 1029	Sliding Pulley .....	1	1	1	1	1	1	1	1
3	414 0125	Spring .....	1	1	1	1	1	1	1	1
4	372 1123	Roll Pin .....	1	1	1	1	1	1	1	1
5	560 4001	Outer Cam .....	1	1	1	1	1	1	1	1
6	414 0126	Cam Slider Shoe .....	3	3	3	3	3	3	3	3
7	570 0411	Drive Belt .....	1	1	1	1	1	1	1	1
8	406 3001	Oil Seal .....	1	1	1	1	1	1	1	1
9	406 0001	"O" Ring .....	1	1	1	1	1	1	1	1
10	504 0046	Oil Retainer Ring .....	1	1	1	1	1	1	1	1
11	405 0001	Bearing Cone .....	2	2	2	2	2	2	2	2
12	504 0100	Tensioner W/Cup .....	1	1	1	1	1	1	1	1
13	405 0002	Bearing Cup .....	2	2	2	2	2	2	2	2
14	504 0066	Chain Case .....	1	1	1		1	1	1	1
14	504 0077	Chain Case .....				1				
15	504 0008	Sprocket 10 Teeth .....	1				1		1	
15	504 0009	Sprocket 11 Teeth .....		1	1					
15	504 0061	Sprocket 16 Teeth Double .....				1		1		1
16	504 0015	Washer .....	1	1	1	1	1	1	1	1
17	381 2028	Nut .....	1	1	1	1	1	1	1	1
18	371 0011	Cotter Pin .....	1	1	1	1	1	1	1	1
19	570 0403	Inspection Cover .....	1	1	1	1	1	1	1	1
20	504 0072	Segment .....	1	1	1	1	1	1	1	1
21	399 8016	Washer .....	1	1	1	1	1	1	1	1
22	380 9024	Nut .....	1	1	1	1	1	1	1	1
23	300 4084	Screw .....	1	1	1	1	1	1	1	1
24	570 0406	Plug .....	1	1	1	1	1	1	1	1
25	412 1003	Driving Chain 1/2" P. ....	1				1		1	
25	412 1006	Driving Chain 1/2" P. ....		1	1					
25	412 1007	Driving Chain 3/8" P. ....				1		1		1
26	504 0039	Spacer .....	2	2	2	2	2	2	2	2
27	504 0013	Sprocket 25 Teeth .....	1	1	1		1		1	
27	504 0045	Sprocket 34 Teeth Double .....				1		1		1
28	371 0013	Cotter Pin .....	1	1	1	1	1	1	1	1
29	570 0413	Access Plug .....	1	1	1	1	1	1	1	1
30	504 0087	Bracket .....	1	1	1		1	1	1	1
30	504 0086	Bracket .....				1				
31	386 7001	Nut .....	1	1	1	1	1	1	1	1
32	504 0052	L.H. Footrest .....	1	1	1		1	1	1	1
32	504 0047	"U" Clamp .....				1				
33	391 0023	Washer .....	2	2	2	2	2	2	2	2
34	386 7001	Nut .....	2	2	2	2	2	2	2	2
35	300 1001	Screw .....	1	1	1		1	1	1	1
36	386 6019	Nut .....	1	1	1		1	1	1	1
37	504 0020	Shim .....	AR	AR	AR	AR	AR	AR	AR	AR
38	504 0050	Hinge Rod .....	1	1	1	1	1	1	1	1
39	386 6022	Nut .....	1	1	1	1	1	1	1	1
40	300 1001	Screw .....	1	1	1	1	1	1	1	1
41	380 6019	Nut .....	1	1	1	1	1	1	1	1
42	412 6010	Inner Link 1/2" P. ....	AR	AR	AR		AR		AR	
43	412 6001	Connecting Link 1/2" P. ....	AR	AR	AR		AR		AR	
44	412 6002	Cranked Link 1/2" P. ....	AR	AR	AR		AR		AR	
45	412 6007	Connecting Link Double 3/8" P. ....				AR		AR		AR
46	412 6012	Inner Link Double 3/8" P. ....				AR		AR		AR
47	412 6008	Cranked Link Double 3/8" P. ....				AR		AR		AR
48	405 6002	Bushing .....	1	1	1	1	1	1	1	1

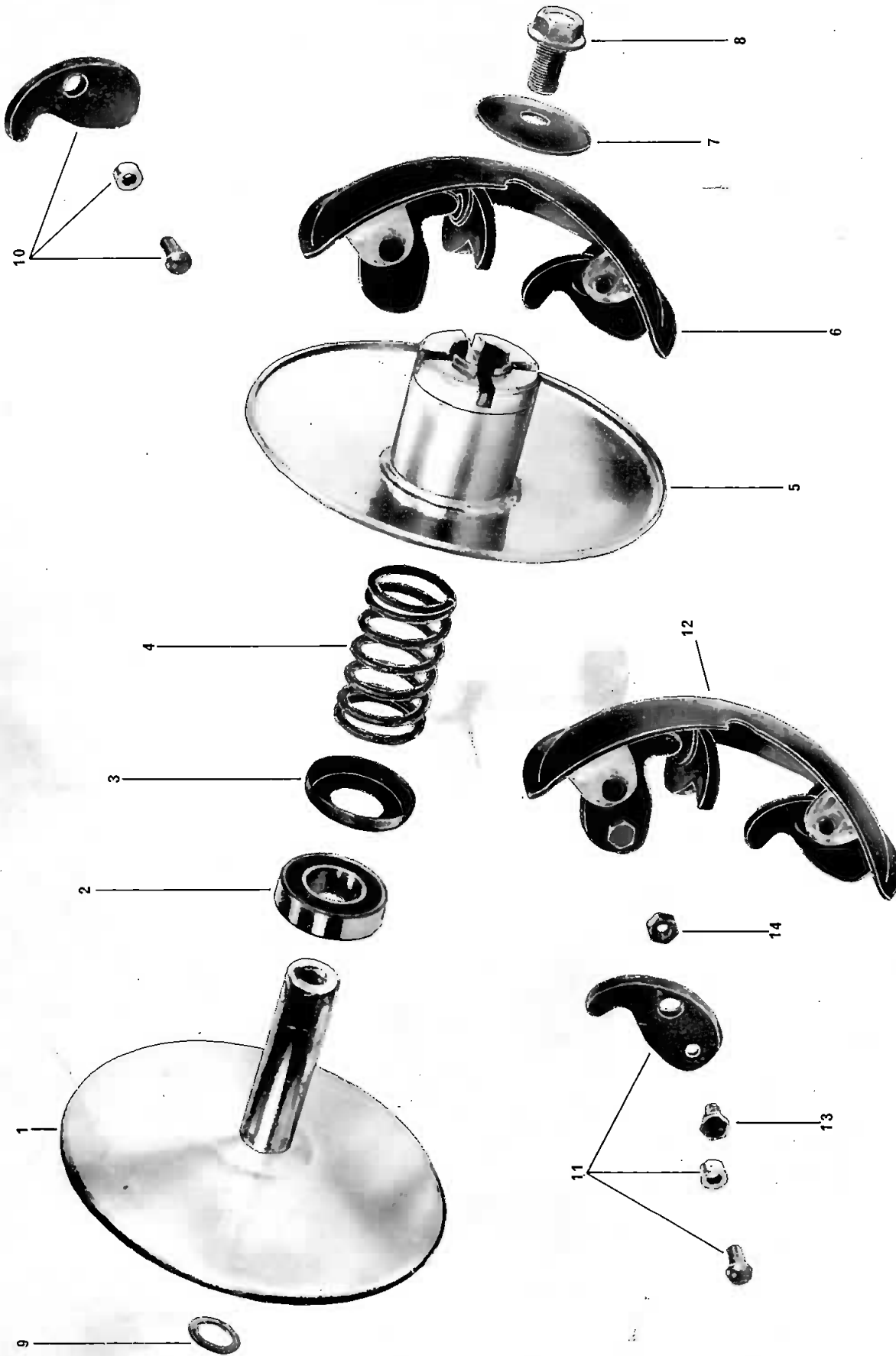
# TRANSMISSION (NORDIC)



# TRANSMISSION (NORDIC)

ITEM NO.	PART NO.	DESCRIPTION	QUANTITY						
			399	399E	640E	TNT 399	TNT 640	TNT 399S	TNT 640S
1	504 1037	Fixed Pulley Half.....	1	1		1		1	
1	504 1046	Fixed Pulley Half.....			1		1		1
2	504 1029	Sliding Pulley.....	1	1		1		1	
2	504 1030	Sliding Pulley.....			1		1		1
3	414 0125	Spring.....	1	1		1		1	
3	414 0138	Spring.....			1		1		1
4	372 1123	Roll Pin.....	1	1		1		1	
4	372 1124	Roll Pin.....			1		1		1
5	560 4001	Outer Cam.....	1	1		1		1	
5	504 1035	Outer Cam.....			1		1		1
6	414 0126	Cam Slider Shoe.....	3	3	3	3	3	3	3
7	570 0411	Drive Belt.....	1	1					
7	570 0414	Drive Belt.....			1	1	1	1	1
8	406 3001	Oil Seal.....	1	1		1		1	
8	406 3002	Oil Seal.....			1		1		1
9	406 0001	"O" Ring.....	1	1		1		1	
9	406 0003	"O" Ring.....			1		1		1
10	504 0046	Oil Retainer Ring.....	1	1		1		1	
10	504 0058	Oil Retainer Ring.....			1		1		1
11	405 0001	Bearing Cone.....	2	2		2		2	
11	405 0004	Bearing Cone.....			2		2		2
12	504 0100	Tensioner W/Cup.....	1	1		1		1	
12	504 0101	Tensioner W/Cup.....			1		1		1
13	405 0002	Bearing Cup.....	2	2		2		2	
13	405 0003	Bearing Cup.....			2		2		2
14	504 0074	Chain Case.....	1	1		1		1	
14	504 0073	Chain Case.....			1		1		1
15	504 0061	Sprocket 16 Teeth.....	1	1		1		1	
15	504 0083	Sprocket 20 Teeth.....			1		1		1
16	504 0015	Washer.....	1	1		1		1	
16	417 0009	Washer.....			1		1		1
17	381 2028	Nut.....	1	1		1		1	
17	389 8024	Nut.....			1		1		1
18	371 0011	Cotter Pin.....	1	1		1		1	
18	371 0032	Cotter Pin.....			1		1		1
19	570 0403	Inspection Cover.....	1	1	1	1	1	1	1
20	504 0072	Segment.....	1	1	1	1	1	1	1
21	399 8016	Washer.....	1	1	1	1	1	1	1
22	380 9024	Nut.....	1	1	1	1	1	1	1
23	300 4084	Screw.....	1	1	1	1	1	1	1
24	570 0406	Plug.....	1	1	1	1	1	1	1
25	412 1007	Driving Chain.....	1	1					
25	412 1010	Driving Chain.....			1		1		1
26	504 0039	Spacer.....	2	2	2	2	2	2	2
27	504 0045	Sprocket 34 Teeth.....	1	1	1	1	1	1	1
28	371 0013	Cotter Pin.....	1	1	1	1	1	1	1
29	570 0413	Access Plug.....	1	1	1	1	1	1	1
30	504 0087	Bracket.....	1	1		1		1	
30	504 0088	Bracket.....			1		1		1
31	386 7001	Nut <b>386 6022</b> .....	1	1	1	1	1	1	1
32	504 0042	"L" Clamp.....	1	1		1		1	
32	504 2038	"U" Clamp.....			1		1		1
33	391 0023	Washer.....	2	2	2	2	2	2	2
34	386 7001	Nut <b>386 6022</b> .....	2	2	2	2	2	2	2
35	309 8030	Special Screw.....	1	1	1	1	1	1	1
36	386 6022	Nut.....	1	1	1	1	1	1	1
37	504 0020	Shim.....	AR	AR	AR	AR	AR	AR	AR
38	412 6007	Connecting Link Double 3/8 P.....	AR	AR	AR	AR	AR	AR	AR
39	412 6012	Inner Link Double 3/8 P.....	AR	AR	AR	AR	AR	AR	AR
40	412 6008	Cranked Link Double 3/8 P.....	AR	AR	AR	AR	AR	AR	AR
41	405 6002	Bushing.....	1	1		1		1	
41	405 8003	Bushing.....			1		1		1

# TRANSMISSION (NORDIC)



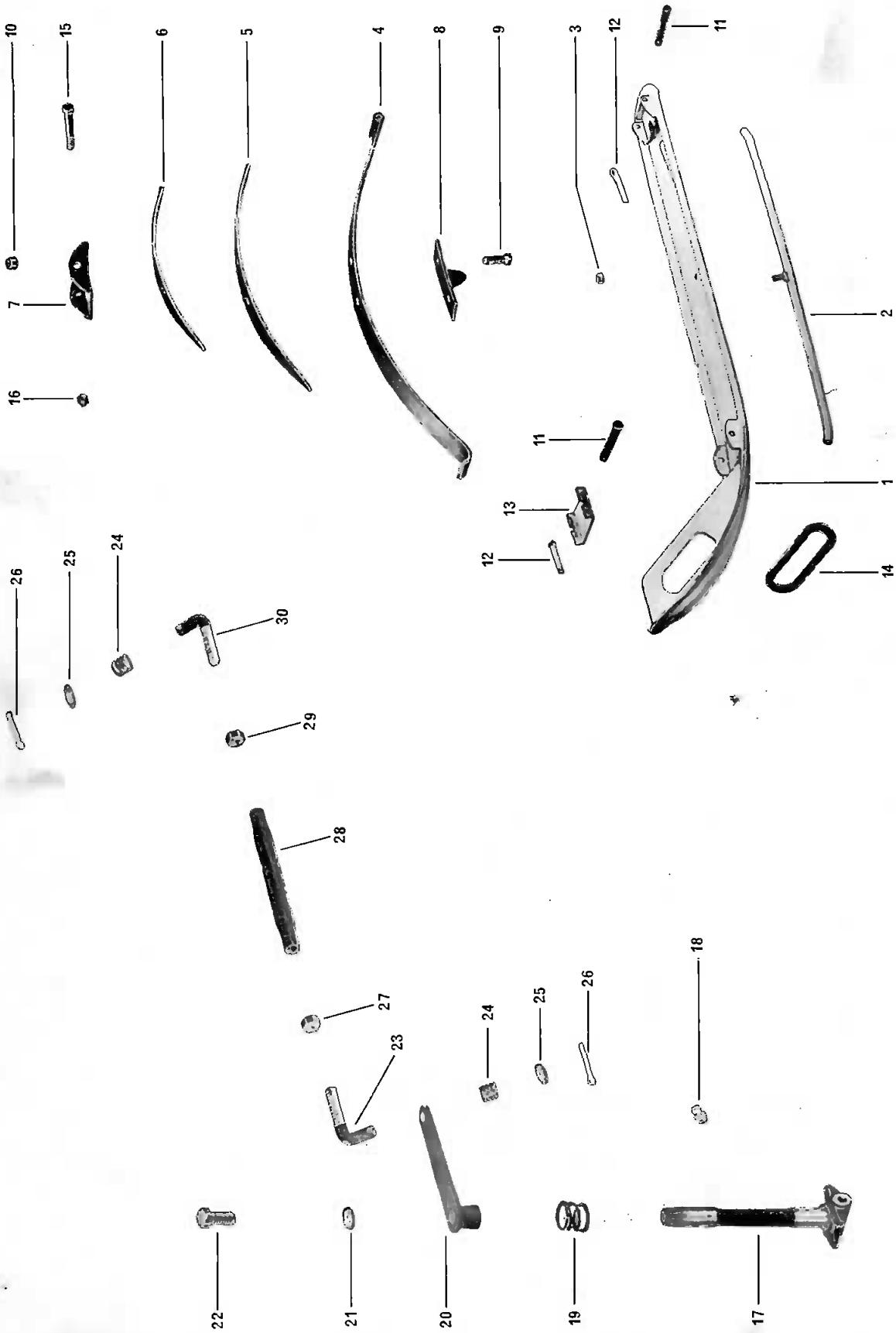
## TRANSMISSION (OLYMPIC)

ITEM NO.	PART NO.	DESCRIPTION	QUANTITY							
			123	335	335E	399	TNT 292	TNT 340	TNT 292S	TNT 340S
1	504 2008	Inner Half.....	1	1	1	1	1		1	
1	504 2039	Inner Half.....						1		1
2	405 4005	Bearing.....	1	1	1	1	1	1	1	1
3	504 2013	Spring Seat.....	1	1	1	1	1	1	1	1
4	414 0013	Spring.....	1	1	1	1	1	1	1	1
5	504 2042	Outer Half.....	1	1	1	1	1	1	1	1
6	504 2022	Cent, Governor <i>504 2034</i> .....	1	1	1	1	1	1	1	1
7	504 2026	Washer.....	1	1	1	1	1	1	1	1
8	309 8010	Special Screw.....	1	1	1	1	1	1	1	1
9	504 1009	Shim (.024").....	AR	AR	AR	AR	AR	AR	AR	AR
10	504 2024	Pressure Lever Kit.....	AR	AR	AR	AR	AR	AR	AR	AR

## TRANSMISSION (NORDIC)

ITEM NO.	PART NO.	DESCRIPTION	QUANTITY							
			399	399E	640E	TNT 399	TNT 640	TNT 399S	TNT 640S	
1	504 2008	Inner Half.....	1	1		1		1		
1	504 2044	Inner Half.....			1		1		1	
2	405 4005	Bearing.....	1	2		1		1		
2	405 4007	Bearing.....			1		1		1	
3	504 2013	Spring Seat.....	1	1		1		1		
3	504 0094	Spring Seat.....			1		1		1	
4	414 0013	Spring.....	1	1	1	1	1	1	1	
5	<del>504 2042</del>	Outer Half <i>504 2068</i> .....	1	1		1		1		
5	504 2045	Outer Half.....			1		1		1	
6	504 2022	Cent. Governor <i>504 2034</i> .....	1	1		1		1		
6	504 2052	Cent. Governor.....			1		1		1	
7	504 2026	Washer.....	1	1	1	1	1	1	1	
8	309 8010	Special Screw.....	1	1	1	1	1	1	1	
9	504 1009	Shim (.024").....	AR	AR		AR		AR		
9	504 1057	Shim (.024").....			AR		AR		AR	
10	504 2024	Pressure Lever Kit.....	AR	AR		AR		AR		
11	<del>504 2141</del>	Pressure Lever Kit W/1/8" Hole <i>504 2041</i> .....			AR		AR		AR	
12	<del>582 3006</del>	Cent. Governor W/Screw, Nut <i>582 1018</i> .....			1		1		1	
13	<del>300 0007</del>	Screw <i>300 0081</i> .....			4		4		4	
14	<del>386 6019</del>	Nut <i>386 6074</i> .....			4		4		4	

# SKI (OLYMPIC)

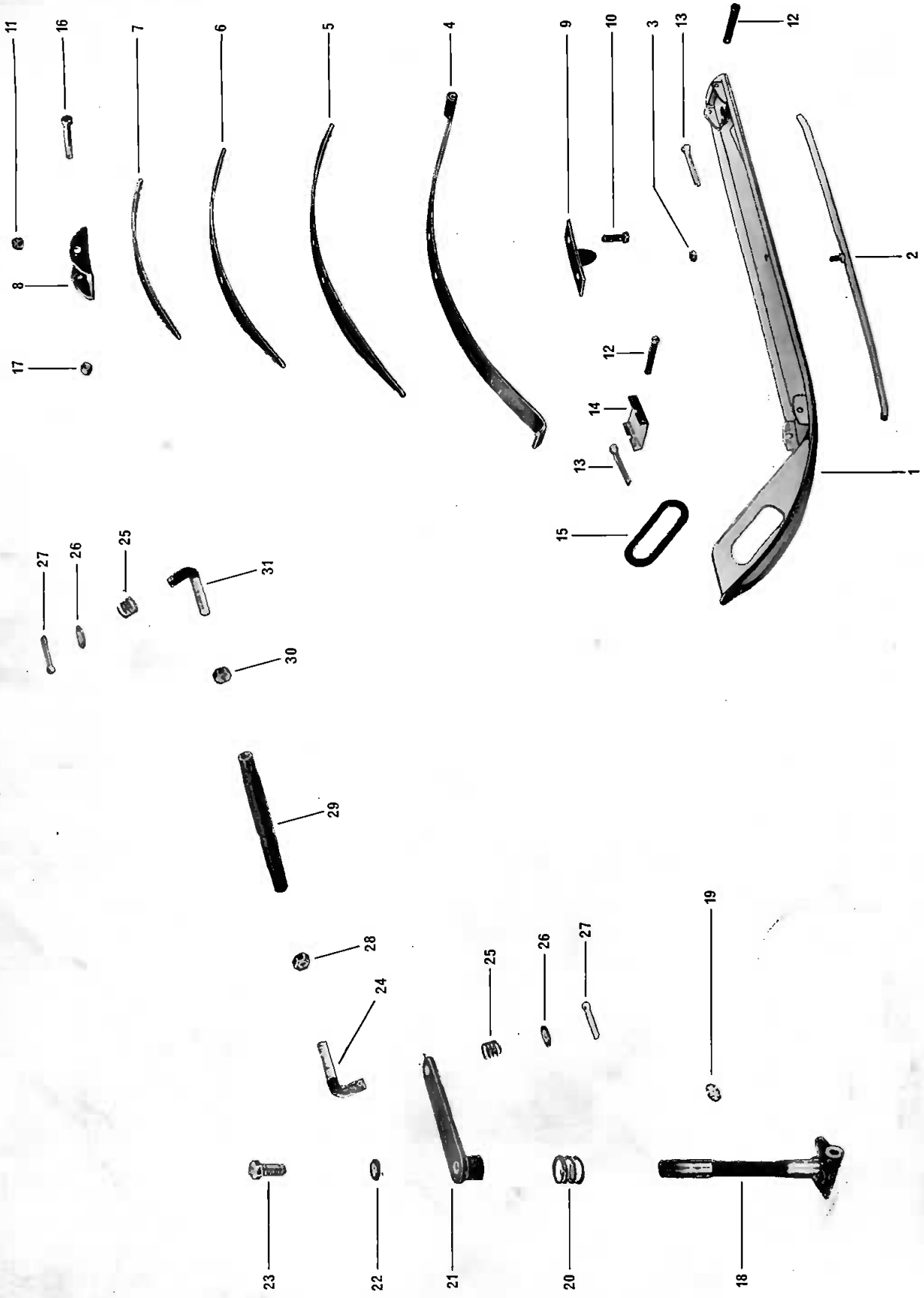




# SKI (OLYMPIC)

ITEM NO.	PART NO.	DESCRIPTION	QUANTITY							
			12/3	335	335E	399	TNT 292	TNT 340	TNT 292S	TNT 340S
1	505 0042	Ski Runner .....	2	2	2	2	2	2	2	2
2	505 0046	Runner Shoe .....	2	2	2	2	2	2	2	2
3	387 2022	Nut .....	2	2	2	2	2	2	2	2
4	505 0016	Main Leaf Spring .....	2	2	2	2	2	2	2	2
5	505 0013	Auxiliary Leaf Spring .....	2	2	2	2	2	2	2	2
6	505 0015	Auxiliary Leaf Spring .....	2	2	2	2	2	2	2	2
7	505 0045	Spring Coupler .....	2	2	2	2	2	2	2	2
8	570 0502	Rebound Leaf Spring .....	2	2	2	2	2	2	2	2
9	300 8084	Screw .....	4	4	4	4	4	4	4	4
10	389 8036	Nut .....	4	4	4	4	4	4	4	4
11	505 0034	Retainer Pin .....	4	4	4	4	4	4	4	4
12	371 0011	Cotter Pin .....	4	4	4	4	4	4	4	4
13	505 0033	Spring Slider Cushion .....	2	2	2	2	2	2	2	2
14	570 0503	Inside Protector .....	2	2	2	2	2	2	2	2
15	309 8007	Screw .....	2	2	2	2	2	2	2	2
16	389 8036	Nut .....	2	2	2	2	2	2	2	2
17	506 0094	Ski Leg L.H. ....	1	1	1	1	1	1	1	1
17	506 0093	Ski Leg R.H. ....	1	1	1	1	1	1	1	1
18	408 2001	Grease Fitting .....	2	2	2	2	2	2	2	2
19	414 0127	Spring .....	2	2	2	2	2	2	2	2
20	506 0014	Steering Arm .....	2	2	2	2	2	2	2	2
21	392 0026	Washer .....	2	2	2	2	2	2	2	2
22	300 8123	Screw .....	2	2	2	2	2	2	2	2
23	506 0017	Tie Rod End (R.H. Thread) .....	2	2	2	2	2	2	2	2
24	414 0364	Spring .....	4	4	4	4	4	4	4	4
25	391 0025	Washer .....	4	4	4	4	4	4	4	4
26	371 0031	Cotter Pin .....	4	4	4	4	4	4	4	4
27	389 8015	Nut R.H. ....	2	2	2	2	2	2	2	2
28	506 0043	Tie Rod .....	2	2	2	2	2	2	2	2
29	389 8016	Nut L.H. ....	2	2	2	2	2	2	2	2
30	506 0044	Tie Rod End (L.H. Thread) .....	2	2	2	2	2	2	2	2

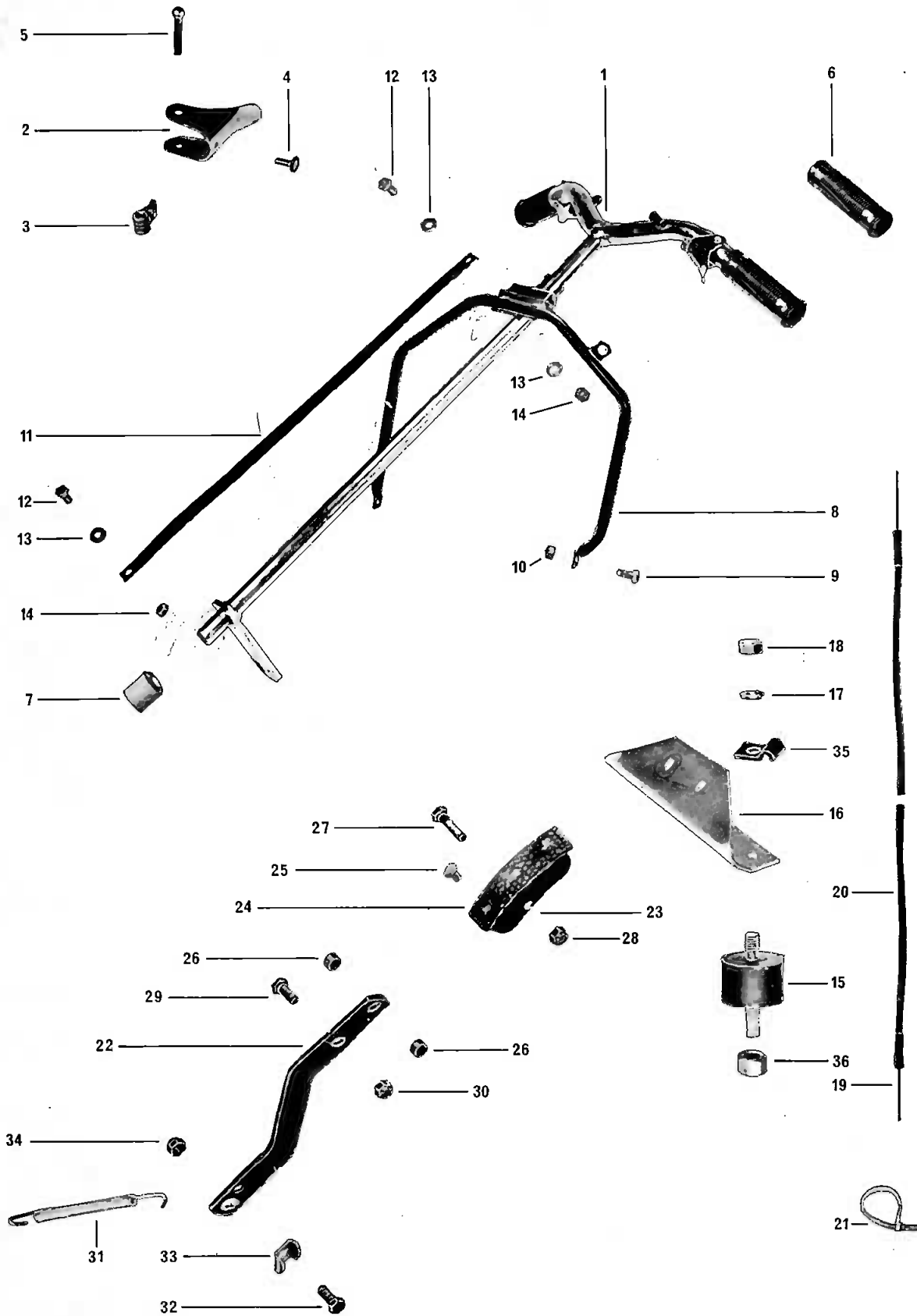
# SKI (NORDIC)



# SKI (NORDIC)

ITEM NO.	PART NO.	DESCRIPTION	QUANTITY						
			399	399E	640E	TNT 399	TNT 640	TNT 399 S	TNT 640 S
1	<del>505-0042</del>	Ski Runner..... <i>5050097</i>	2	2	2	2	2	2	2
2	505 0046	Runner Shoe.....	2	2	2	2	2	2	2
3	387 2022	Nut .....	2	2	2	2	2	2	2
4	505 0018	Main Leaf Spring.....	2	2	2	2	2	2	2
5	505 0014	Auxiliary Leaf Spring.....	2	2	2	2	2	2	2
6	505 0013	Auxiliary Leaf Spring.....	2	2	2	2	2	2	2
7	505 0015	Auxiliary Leaf Spring.....	2	2	2	2	2	2	2
8	505 0045	Spring Coupler .....	2	2	2	2	2	2	2
9	570 0502	Rebound Leaf Spring .....	2	2	2	2	2	2	2
10	300 8085	Screw .....	4	4	4	4	4	4	4
11	389 8036	Nut .....	4	4	4	4	4	4	4
12	505 0034	Retainer Pin .....	4	4	4	4	4	4	4
13	371 0011	Cotter Pin .....	4	4	4	4	4	4	4
14	505 0033	Spring Slider Cushion .....	2	2	2	2	2	2	2
15	570 0503	Inside Protector .....	2	2	2	2	2	2	2
16	309 8007	Screw .....	2	2	2	2	2	2	2
17	389 8036	Nut .....	2	2	2	2	2	2	2
18	<del>506-0076</del>	Ski Leg L.H. .... <i>5060125</i>	1	1	1	1	1	1	1
18	<del>506-0081</del>	Ski Leg R.H. .... <i>Use 5060124</i>	1	1	1	1	1	1	1
19	408 2001	Grease Fitting .....	2	2	2	2	2	2	2
20	414 0127	Spring.....	2	2	2	2	2	2	2
21	506 0014	Steering Arm .....	2	2	2	2	2	2	2
22	392 0026	Washer .....	2	2	2	2	2	2	2
23	300 8123	Screw .....	2	2	2	2	2	2	2
24	506 0017	Tie Rod End (R.H. Thread) .....	2	2	2	2	2	2	2
25	414 0364	Spring.....	4	4	4	4	4	4	4
26	391 0025	Washer .....	4	4	4	4	4	4	4
27	371 0031	Cotter Pin .....	4	4	4	4	4	4	4
28	389 8015	Nut R.H. ....	2	2	2	2	2	2	2
29	506 0058	Tie Rod .....	2	2	2	2	2	2	2
30	389 8016	Nut L.H. ....	2	2	2	2	2	2	2
31	506 0044	Tie Rod End (L.H. Thread) .....	2	2	2	2	2	2	2

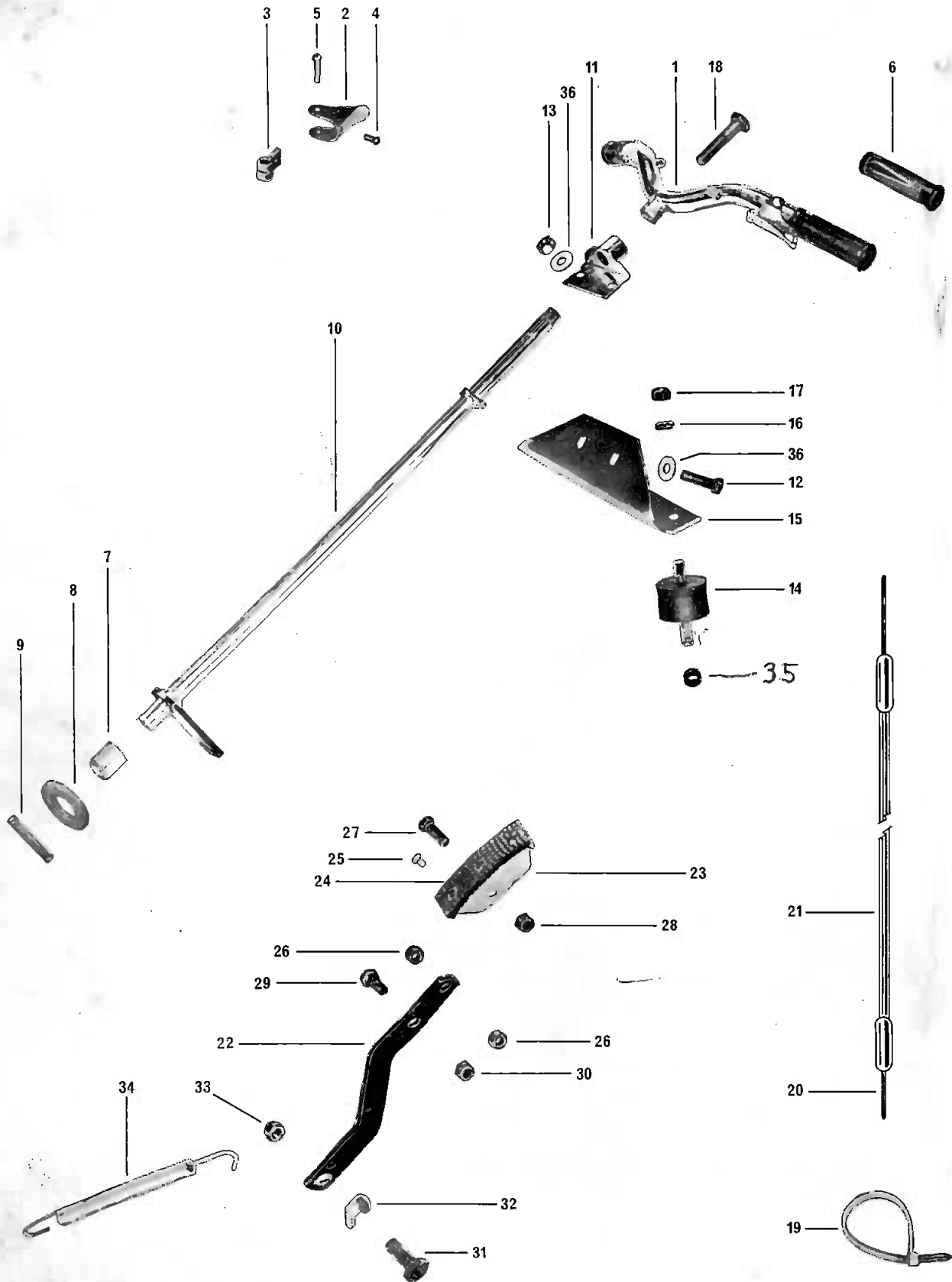
# STEERING & BRAKE (OLYMPIC)



## STEERING & BRAKE (OLYMPIC)

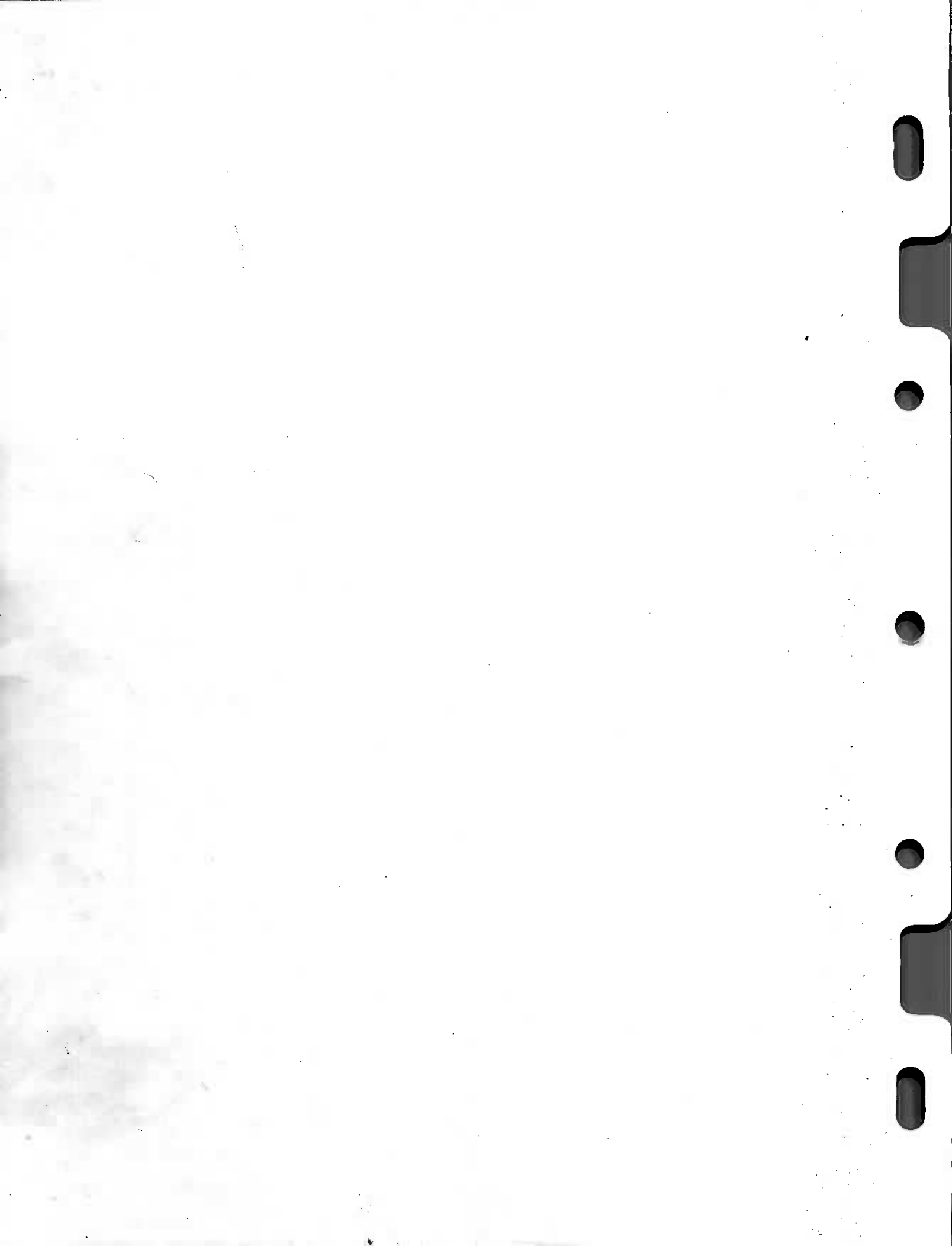
ITEM NO.	PART NO.	DESCRIPTION	QUANTITY							
			12/3	335	335E	399	TNT 292	TNT 340	TNT 292S	TNT 340S
1	506 0072	Handle Bar.....	1	1	1	1	1	1	1	1
2	506 0041	Hand Handle .....	2	2	2	2	2	2	2	2
3	506 0073	Cable Slug.....	2	2	2	2	2	2	2	2
4	390 5006	Rivet For Slug.....	2	2	2	2	2	2	2	2
5	390 9001	Rivet.....	2	2	2	2	2	2	2	2
6	572 1704	Grip .....	2	2	2	2	2	2	2	2
7	570 0601	Steering Bushing .....	1	1	1	1	1	1	1	1
8	506 0089	Upper Column .....	1	1	1		1	1	1	1
9	300 1001	Screw.....	2	2	2		2	2	2	2
10	386 6119	Nut .....	2	2	2		2	2	2	2
11	506 0069	Brace Strip .....	1	1	1	1	1	1	1	1
12	300 1001	Screw .....	3	3	3	3	3	3	3	3
13	399 9015	Washer .....	5	5	5	5	5	5	5	5
14	386 6119	Nut .....	3	3	3	3	3	3	3	3
15	570 1205	Rubber Shear Mount .....				2				
16	512 0072	Upper Steering Bracket .....				1				
17	392 0022	Washer .....				2				
18	380 9022	Nut .....				2				
19	414 0262	Cable 41" .....	1	1	1	1	1	1	1	1
20	414 0265	Housing 32" .....	1	1	1	1	1	1	1	1
21	114 0043	Hose Tie .....	1	1	1		1	1	1	1
22	507 0036	Brake Lever.....	1	1	1	1	1	1	1	1
23	507 0037	Shoe .....	1	1	1	1	1	1	1	1
24	507 0038	Lining .....	1	1	1	1	1	1	1	1
25	390 5001	Rivet .....	3	3	3	3	3	3	3	3
26	507 0046	Lug Spacer .....	2	2	2	2	2	2	2	2
27	309 8020	Screw .....	1	1	1	1	1	1	1	1
28	386 6019	Nut .....	1	1	1	1	1	1	1	1
29	309 8019	Screw .....	1	1	1	1	1	1	1	1
30	386 6019	Nut .....	1	1	1	1	1	1	1	1
31	414 0257	Spring.....	1	1	1	1	1	1	1	1
32	300 0001	Screw .....	1	1	1	1	1	1	1	1
33	507 0047	Cable Lock Bracket .....	1	1	1	1	1	1	1	1
34	386 6019	Nut .....	1	1	1	1	1	1	1	1
35	513 0053	Housing Clip .....				1				
36	512 0036	Spacer .....				2				

# STEERING & BRAKE (NORDIC)

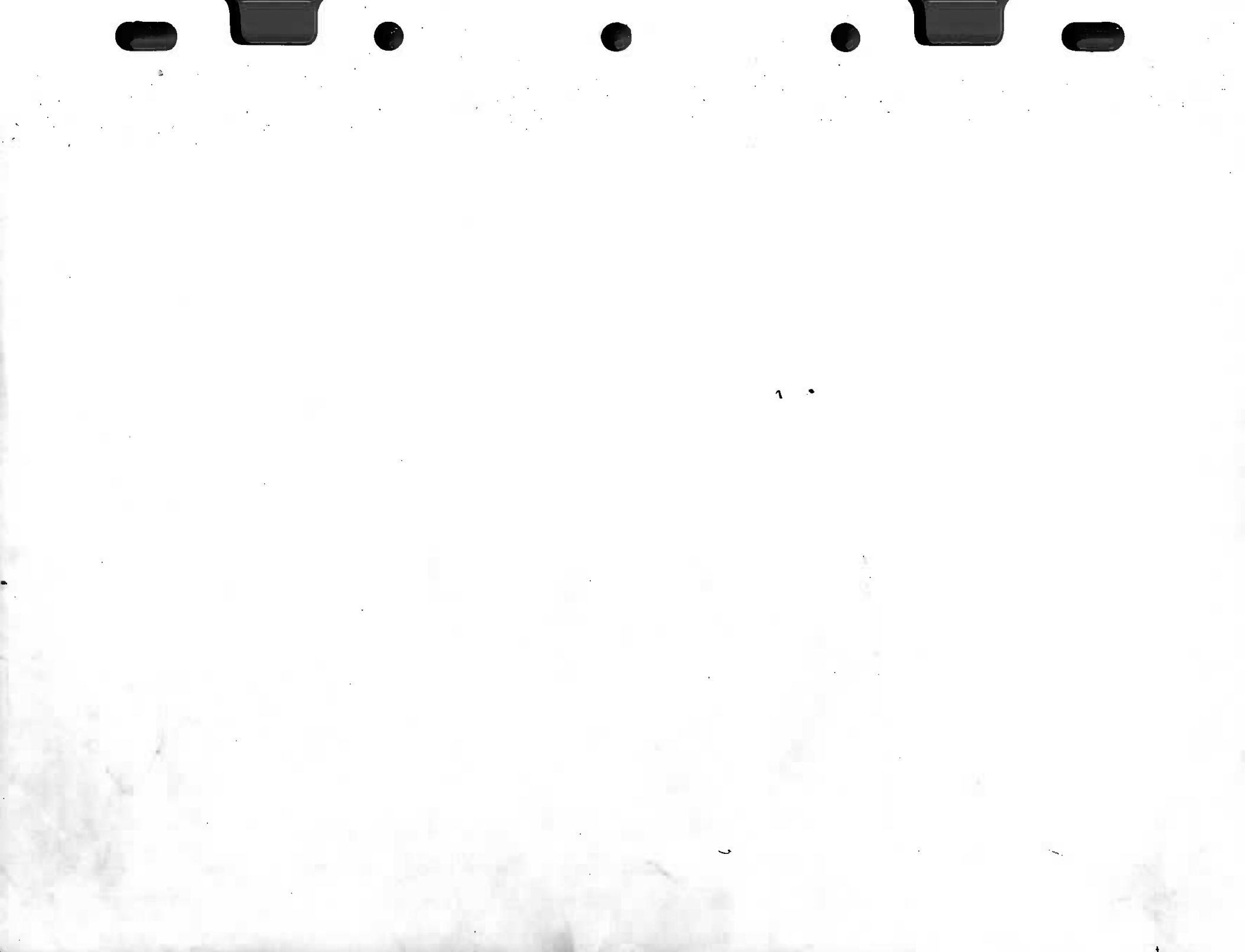


# STEERING & BRAKE (NORDIC)

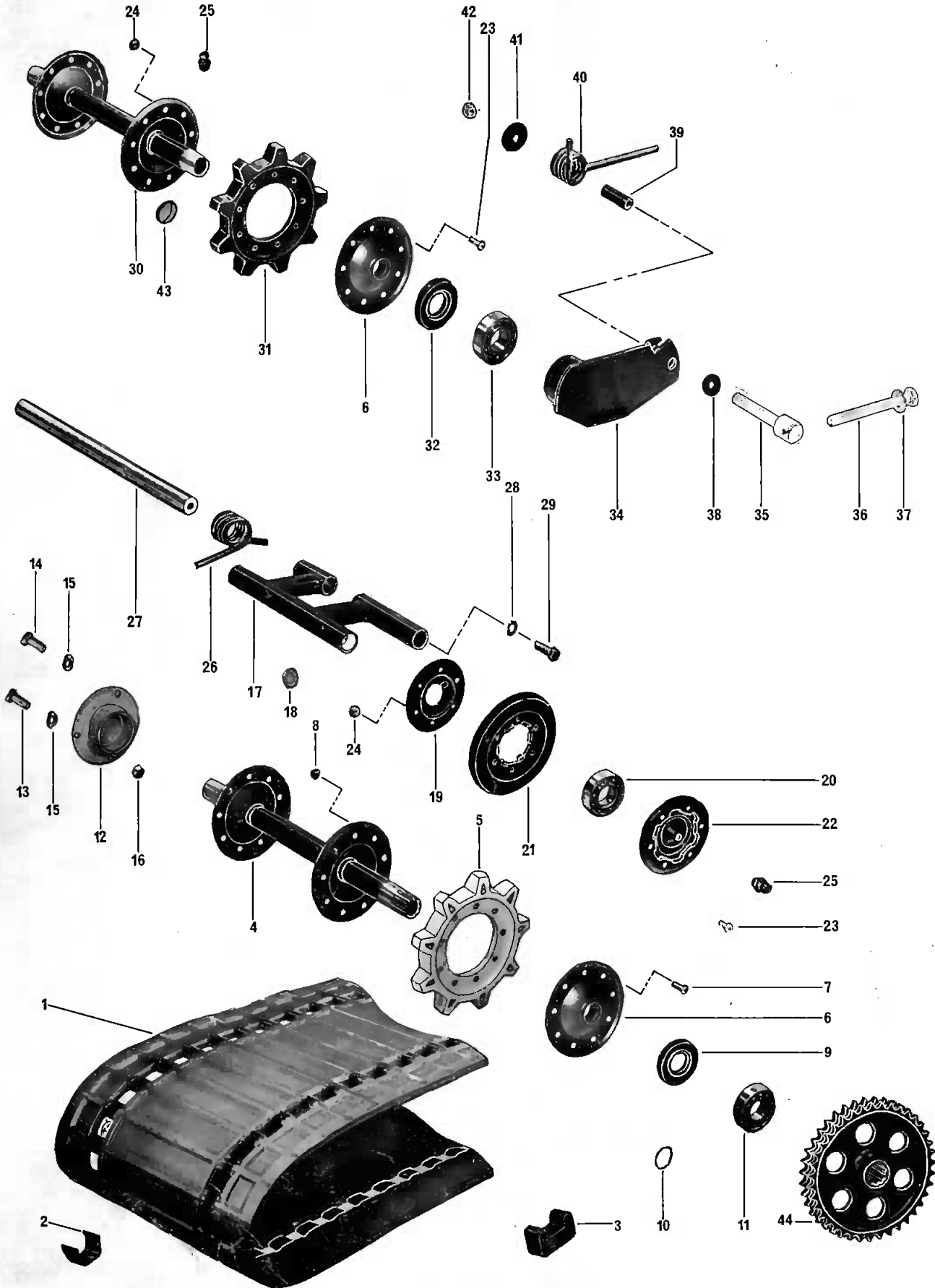
ITEM NO.	PART NO.	DESCRIPTION	QUANTITY						
			399	399E	640E	TNT 399	TNT 640	TNT 399S	TNT 640S
1	506 0110	Handle .....	1	1	1	1	1	1	1
2	506 0041	Hand Handle .....	2	2	2	2	2	2	2
3	506 0073	Cable Slug .....	2	2	2	2	2	2	2
4	390 5006	Rivet for Slug .....	2	2	2	2	2	2	2
5	390 9001	Rivet .....	2	2	2	2	2	2	2
6	572 1704	Grip .....	2	2	2	2	2	2	2
7	570 0601	Steering Bushing .....	1	1	1	1	1	1	1
8	391 0036	Washer .....	1	1	1	1	1	1	1
9	372 1122	Roll Pin .....	1	1	1	1	1	1	1
10	506 0100	Handle Bar .....	1	1		1		1	
10	506 0101	Handle Bar .....			1		1		1
11	506 0079	Bar Bracket .....	1	1					
11	506 0090	Bar Bracket .....			1	1	1	1	1
12	300 1001	Screw .....	2	2	2	2	2	2	2
13	387 2019	Nut .....	2	2	2	2	2	2	2
14	570 1205	Rubber Shear Mount .....	2	2	2	2	2	2	2
15	512 0067	Upper Steering Bracket .....	1	1					
15	512 0073	Upper Steering Bracket .....			1		1		1
15	512 0087	Upper Steering Bracket .....				1		1	
16	392 0022	Washer .....	2	2	2	2	2	2	2
17	380 9022	Nut .....	2	2	2	2	2	2	2
18	300 3126	Screw .....	1	1	1	1	1	1	1
19	114 0043	Hose Tie .....	1	1	1	1	1	1	1
20	414 0262	Cable 41" .....	1	1	1	1	1	1	1
21	414 0265	Cable Housing 32" .....	1	1	1	1	1	1	1
22	507 0036	Brake Lever .....	1	1	1	1	1	1	1
23	507 0037	Shoe .....	1	1	1	1	1	1	1
24	507 0038	Lining .....	1	1	1	1	1	1	1
25	390 5001	Rivet .....	3	3	3	3	3	3	3
26	507 0046	Lug Spacer .....	2	2	2	2	2	2	2
27	309 8020	Screw .....	1	1	1	1	1	1	1
28	386 6019	Nut .....	1	1	1	1	1	1	1
29	309 8019	Screw .....	1	1	1	1	1	1	1
30	386 6019	Nut .....	1	1	1	1	1	1	1
31	300 0001	Screw .....	1	1	1	1	1	1	1
32	507 0047	Cable Lock Bracket .....	1	1	1	1	1	1	1
33	386 6019	Nut .....	1	1	1	1	1	1	1
34	414 0448	Spring .....	1	1	1	1	1	1	1
35	512 0090	Spacer .....				1	1	1	1
36	399 9015	Washer .....	4	4	4	4	4	4	4







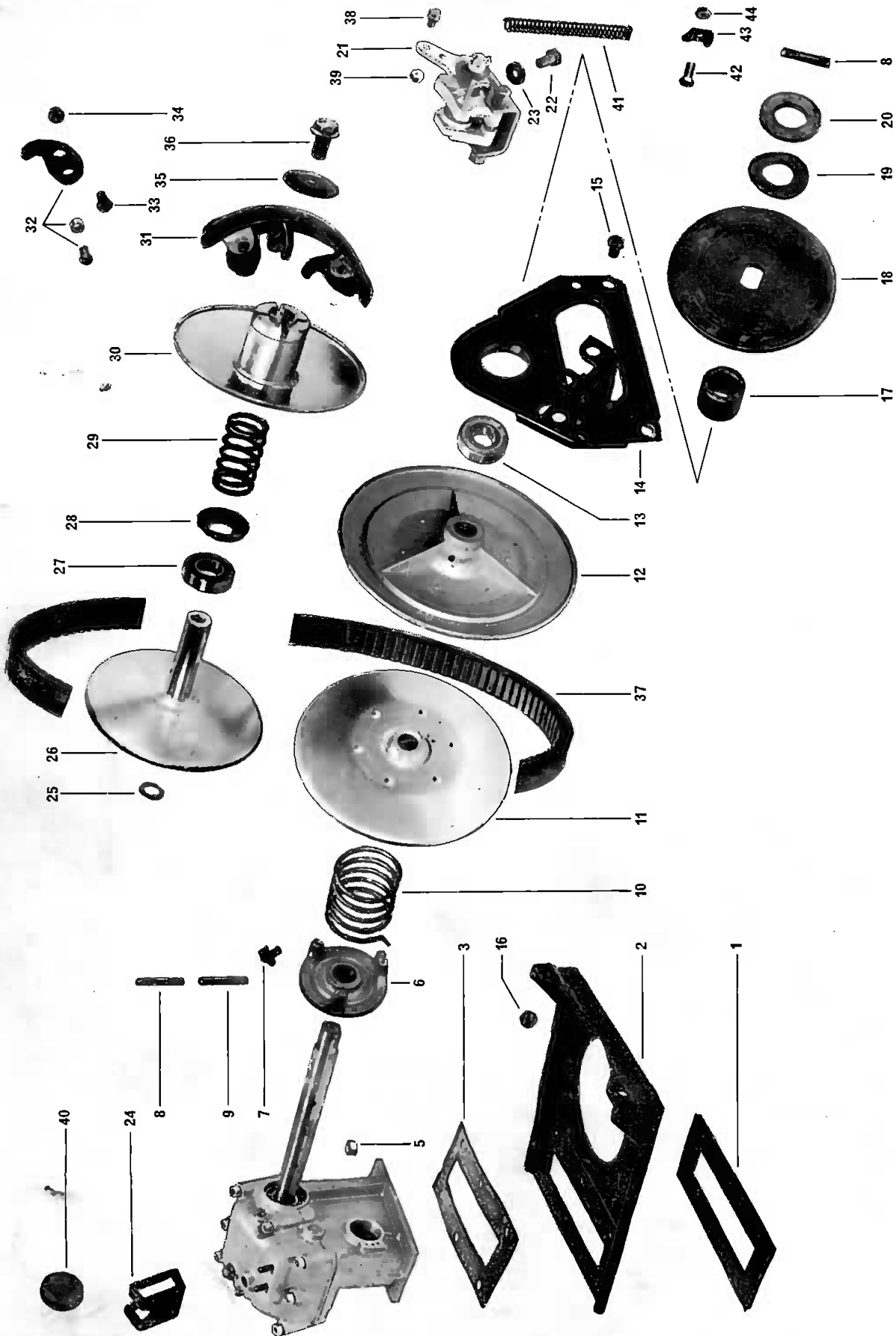
# SUSPENSION (ALPINE)



# SUSPENSION (ALPINE)

ITEM NO.	PART NO.	DESCRIPTION	QUANTITY		
			399R	399ER	640ER
1	570 0006	Track Ass'y .....	2	2	2
2	570 0003	Insert (TRACK) .....	AR	AR	AR
3	529 0003	Insert block (tool) .....	AR	AR	AR
4	501 0019	Drive Axle.....	2	2	2
5	414 0001	Sprocket .....	4	4	4
6	501 0018	Mobile flange .....	8	8	8
7	320 1102	Machine screw .....	36	36	36
8	387 2019	Nut.....	36	36	36
9	581 1017	Seal (with spring) .....	4	4	4
10	414 0153	Spring (for seal).....	4	4	4
11	405 4002	Bearing .....	4	4	4
12	501 0007	End bearing housing .....	2	2	2
13	300 1001	Cap screw .....	2	2	2
14	300 1000	Cap Screw.....	4	4	4
15	392 0019	Lock Washer.....	4	4	4
16	386 6019	Nut.....	2	2	2
17	502 0002	Wheel Support .....	12	12	12
18	502 0011	Cap .....	24	24	24
19	502 0015	Inner Flange .....	24	24	24
20	405 4002	Bearing .....	24	24	24
21	570 0205	Wheel Tire (w/RIB.).....	24	24	24
22	502 0016	Outer Flange.....	24	24	24
23	320 1062	Machine Screw .....	180	180	180
24	387 3013	Nut.....	180	180	180
25	408 2001	Grease Fitting .....	28	28	28
26	502 0010	Spring 1/4" Dia.....	12	12	12
27	502 0008	Cross Shaft.....	6	6	6
28	399 9036	Toot Lock Washer .....	12	12	12
29	300 9043	Cap Screw .....	12	12	12
30	503 0043	Rear Hub .....	2	2	2
31	570 0101	Sprocket .....	4	4	
31	414 0327	Sprocket.....			4
32	570 0301	Seal ..... <i>use 5811017</i> .....	4	4	4
33	405 4002	Bearing .....	4	4	4
34	503 0036	L. H. Adjustment Link Plate .....	2	2	2
34	503 0035	R. H. Adjustment Link Plate .....	2	2	2
35	503 0028	Cent. Adj. Eye Bolt .....	4	4	4
36	309 8027	Hex. Cap Screw .....	4	4	4
37	399 9007	Flat Washer .....	4	4	4
38	503 0044	Hardened Washer .....	4	4	4
39	503 0040	Adjuster Sleeve .....	4	4	4
40	503 0025	R. H. Spring .....	2	2	2
40	503 0023	L. H. Spring.....	2	2	2
41	503 0016	Retainer Washer.....	4	4	4
42	389 8037	Nut .....	4	4	4
43	503 0049	Cap .....	4	4	4
44	504 0014	Sprocket 39 Teeth .....	1	1	
44	504 0099	Sprocket 29 Teeth .....			1

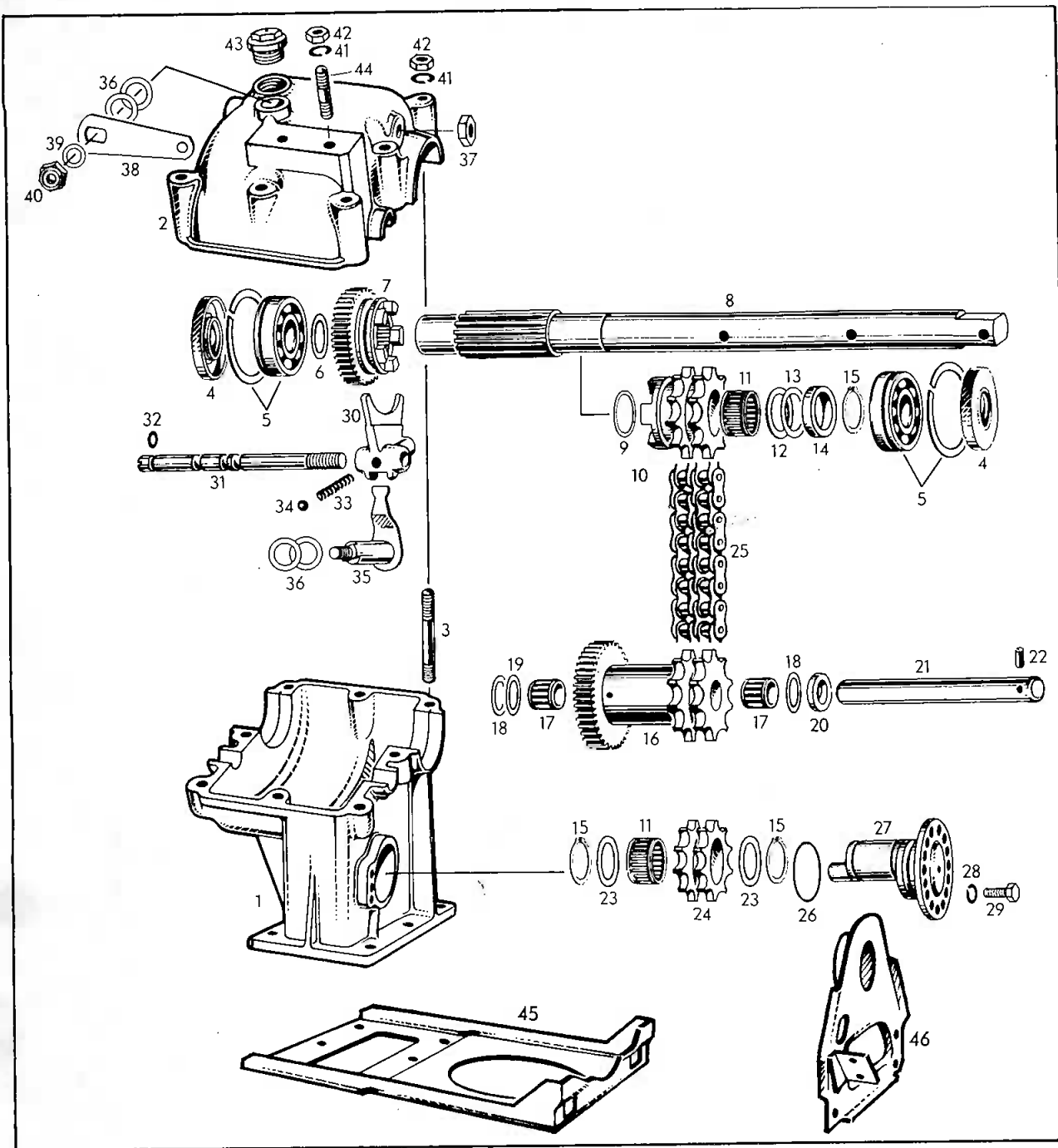
# TRANSMISSION (ALPINE)



# TRANSMISSION (ALPINE)

ITEM NO.	PART NO.	DESCRIPTION	QUANTITY		
			399	399E	640E
1	570 0408	Gasket .....	1	1	1
2	417 1039	Bottom Plate .....	1	1	1
3	504 1052	Gasket .....	1	1	1
5	389 8037	Nut .....	8	8	8
6	504 1035	Outer Cam .....	1	1	1
7	414 0126	Cam Slider Shoe .....	3	3	3
8	372 1124	Roll Pin .....	3	3	3
9	372 1060	Roll Pin .....	4	4	4
10	414-0138	Release Spring .....	1	1	1
11	504 1044	Sliding Pulley Half .....	1	1	1
12	504 1043	Fixed Puller Half .....	1	1	1
13	405 4004	Bearing .....	1	1	1
14	417 1041	Support .....	1	1	1
15	300 0041	Cap Screw .....	2	2	2
16	389 8037	Nut .....	2	2	2
17	504 1031	Spacer .....	1	1	1
18	504 1032	Disk .....	1	1	1
19	417 0008	Spring Washer .....	1	1	1
20	504 1036	Retainer Washer .....	1	1	1
21	414 0415	Disk Brake Unit .....	1	1	1
22	300 1000	Cap Screw .....	2	2	2
23	394 0019	Washer .....	2	2	2
24	506 0109	Steering Bracket .....	1	1	1
25	504 1009	Shim (.024) .....	AR	AR	AR
26	504 2008	Inner Half .....	1	1	1
26	504 2044	Inner Half .....	1	1	1
27	405 4005	Bearing .....	1	1	1
27	405 4007	Bearing .....	1	1	1
28	504 2013	Spring Seat .....	1	1	1
28	504 0094	Spring Seat .....	1	1	1
29	414 0013	Spring .....	1	1	1
30	<del>504 2042</del>	Outer Half - <i>504 2068</i> .....	1	1	1
30	504 2045	Outer Half .....	1	1	1
31	504 2022	Centrifugal Governor .....	1	1	1
31	<del>504 2052</del>	Centrifugal Governor <i>use 1-5820108+1-5042072</i> .....	1	1	1
32	504 2024	Pressure Lever Kit .....	1	1	1
32	504 2041	Pressure Lever Kit .....	1	1	1
33	300 0001	Cap Screw .....	4	4	4
34	386 6019	Nut .....	4	4	4
35	504 2026	Governor Washer .....	1	1	1
36	309 8010	Special Cap Screw .....	1	1	1
37	570 0411	Drive Belt .....	1	1	1
37	570 0414	Drive Belt .....	1	1	1
38	507 0027	Brake Lever Ferrule .....	1	1	1
39	386 6019	Nut .....	1	1	1
40	570 1737	Rubber Cover .....	1	1	1
41	414 0064	Spring .....	1	1	1
42	300 1001	Cap Screw .....	1	1	1
43	507 0047	Cable Lock Bracket .....	1	1	1
44	386 6019	Nut .....	1	1	1

# GEAR BOX



ITEM NO.	PART NO.	DESCRIPTION	QUANTITY		
			399	399E	640E
1-2-3	417 1005	Housing Ass'y . . . . .	1	1	1
3	417 1006	Stud M8 x 52 . . . . .	8	8	8
4	417 1007	Oil Seal . . . . .	2	2	2
5	405 4006	Ball Bearing With Groove Ring . . . . .	2	2	2
6	402 1025	Shim 0.5MM . . . . .	1	1	1
7	417 1008	Sliding Gear 31t . . . . .	1	1	1

BOMBARDIER LTD./LTEE

LITHO'D IN CANADA

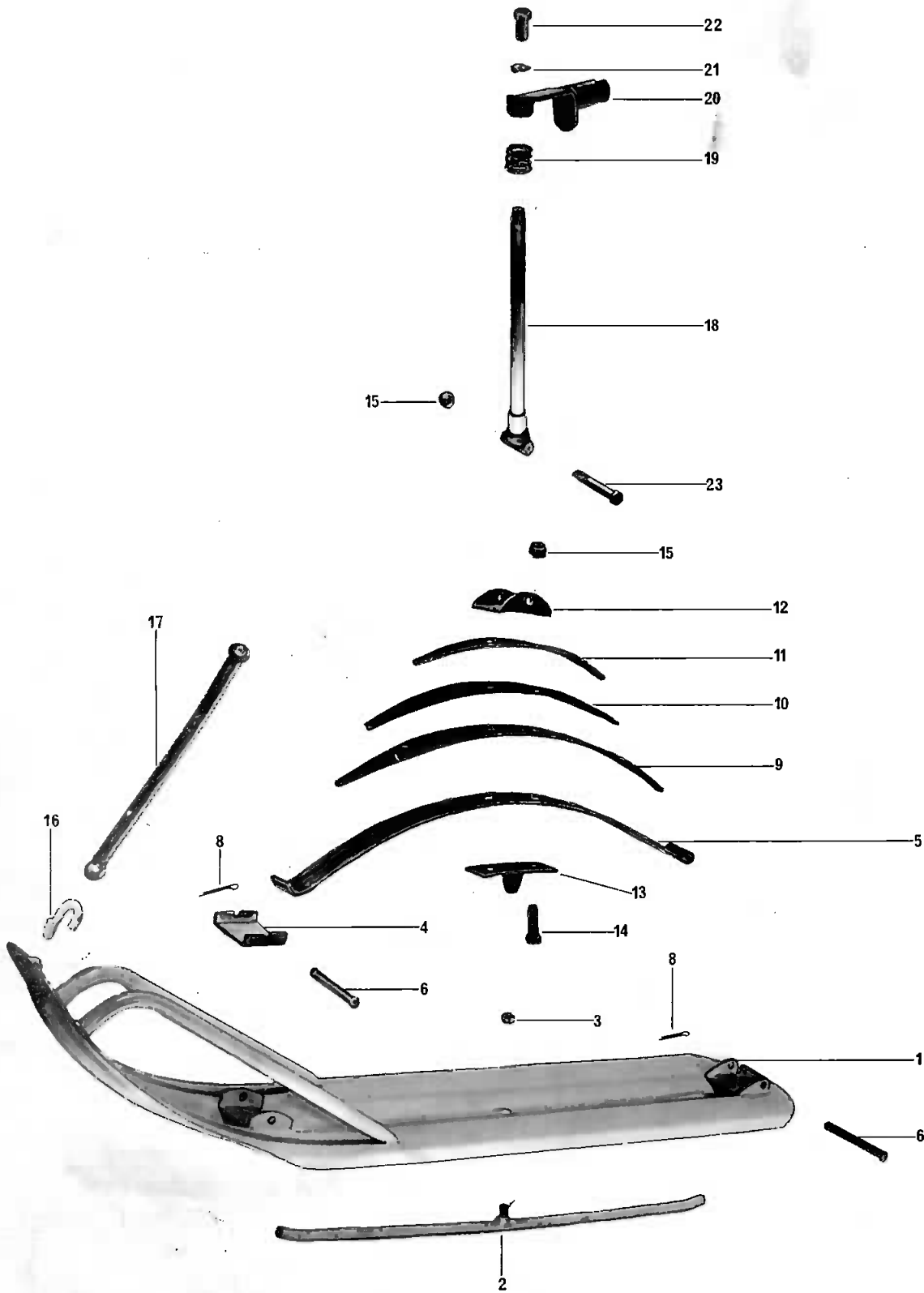
SECTION 1 - PAGE 30

CAT. NO. 480-1012  
AUGUST 1969.

**GEAR BOX**

ITEM NO.	PART NO.	DESCRIPTION	QUANTITY		
			399	399E	640E
8	417 1009	Drive Shaft . . . . .	1	1	1
9	417 1010	Washer 25.2MM . . . . .	1	1	1
10	417 1011	Shift Sprocket 13t . . . . .	1	1	1
11	417 1012	Needle Cage . . . . .	2	2	2
12	402 1026	Shim 1.0MM . . . . .	1	1	1
13	402 1023	Shim 0.2MM . . . . .	AR	AR	AR
	402 1024	Shim 0.3MM . . . . .	"	"	"
	402 1025	Shim 0.5MM . . . . .	"	"	"
	402 1126	Shim 0.1MM . . . . .	"	"	"
14	417 1013	Distance Sleeve 5.3MM . . . . .	1	1	1
15	417 1014	Circlip . . . . .	3	3	3
16	417 1015	Lay Shaft Gear Ass'y 34 & 13t . . . . .	1	1	1
17	417 1016	Needle Cage . . . . .	2	2	2
18	402 6016	Shim 1.0MM . . . . .	2	2	2
19	417 1035	Shim 0.3MM . . . . .	AR	AR	AR
	417 1036	Shim 0.5MM . . . . .	"	"	"
	402 6016	Shim 1.0MM . . . . .	"	"	"
	417 1037	Shim .15MM . . . . .	"	"	"
20	417 1017	Distance Sleeve 7.5MM . . . . .	1	1	1
21	417 1018	Lay Axle . . . . .	1	1	1
22	417 1019	Dowel Tube . . . . .	1	1	1
23	417 1020	Washer 25.3 . . . . .	2	2	2
24	417 1021	Tensioner Sprocket 12t . . . . .	1	1	1
25	412 1011	Double Roller Chain 1/2 x 5/16", 64 Links For Alpine 640. As Supplied In 1969 . . . . .			1
25	412 1005	Double Roller Chain 1/2 x 5/16", 66 Links . . . . .			1
25	412 1014	Double Roller Chain 1/2 x 5/16", 72 Links . . . . .	1	1	
26	417 1022	O-Ring . . . . .	1	1	1
27	417 1023	Tensioner Axle Ass'y . . . . .	1	1	1
28	402 0015	Lock Washer 6 . . . . .	1	1	1
29	402 5012	Hex. Screw M6 x 15 . . . . .	1	1	1
30	417 1024	Gear Change Fork . . . . .	1	1	1
31	417 1025	Index Rod . . . . .	1	1	1
32	417 1026	O-Ring . . . . .	1	1	1
33	417 1027	Index Spring . . . . .	1	1	1
34	417 1028	Ball 1/4" Dia . . . . .	1	1	1
35	417 1029	Gear Change Shaft Ass'y . . . . .	1	1	1
36	417 1030	Shim 0.3MM . . . . .	AR	AR	AR
	417 1031	Shim 0.5MM . . . . .	AR	AR	AR
37	265 6001	Hex. Nut M10 . . . . .	1	1	1
38	417 1033	Gear Change Lever . . . . .	1	1	1
39	402 0031	Washer 8.4MM . . . . .	1	1	1
40	402 2106	Lock Nut M8 . . . . .	1	1	1
41	402 0016	Lock Washer 8 . . . . .	10	10	10
42	402 0018	Hex. Nut M8 . . . . .	10	10	10
43	417 1034	Vent Plug M18 x 1.5 . . . . .	1	1	1
44	402 2003	Stud M8 x 18 . . . . .	2	2	2
45	417 1039	Bottom Plate . . . . .	1	1	1
46	417 1041	Support Ass'y . . . . .	1	1	1

# SKI (ALPINE)

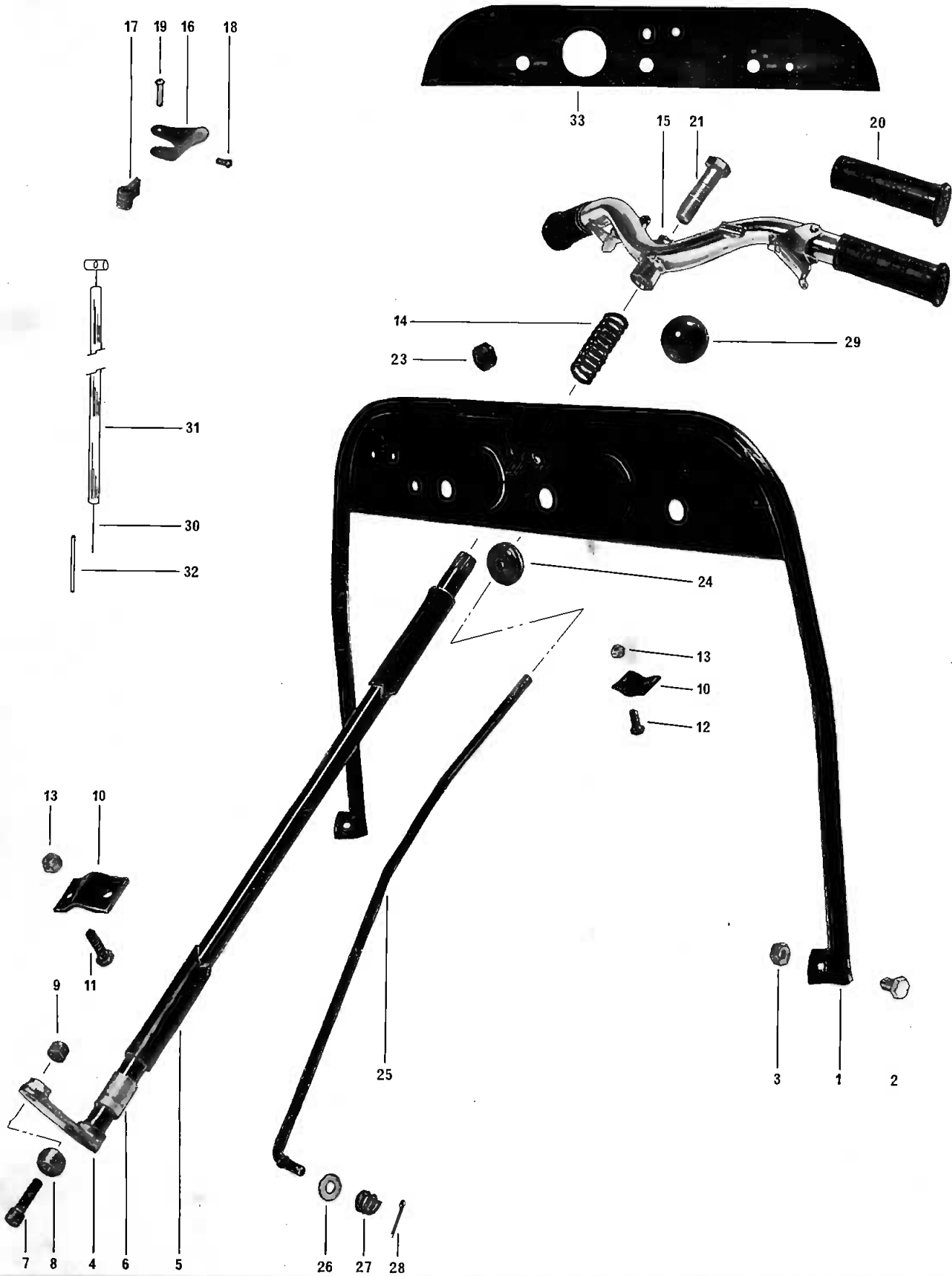




# SKI (ALPINE)

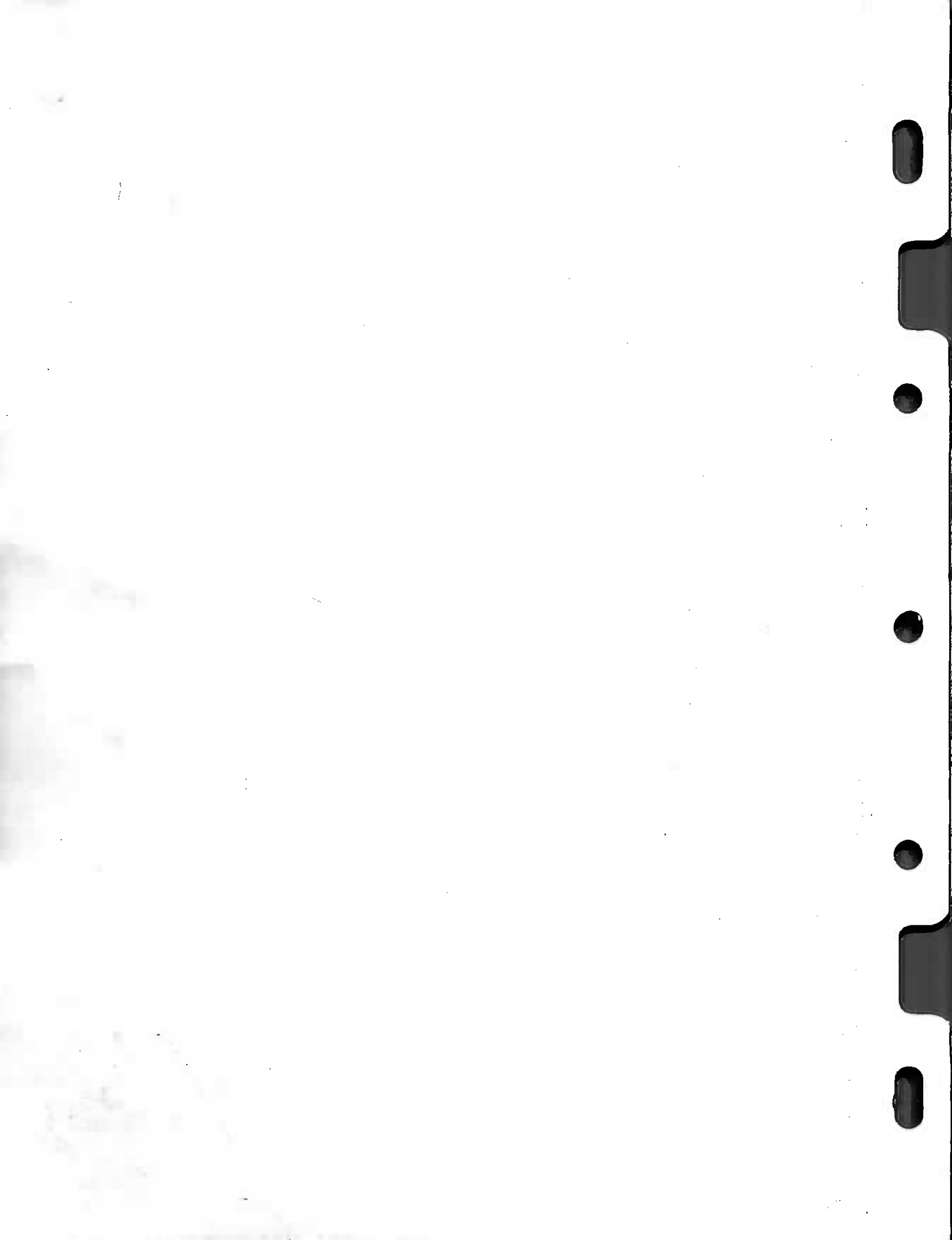
ITEM NO.	PART NO.	DESCRIPTION	QUANTITY		
			399	399E	640E
1	505 0047	Ski Runner.....	1	1	1
2	505 0002	Runner Shoe .....	1	1	1
3	387 2022	Nut .....	1	1	1
4	505 0033	Spring Slider Cushion .....	1	1	1
5	505 0018	Main Leaf Spring .....	1	1	1
6	505 0034	Retainer Pin.....	2	2	2
8	371 0011	Cotter Pin .....	2	2	2
9	505 0014	Auxiliary Spring.....	1	1	2
10	505 0013	Auxiliary Spring .....	2	2	1
11	505 0015	Auxiliary Spring .....	1	1	1
12	505 0053	Spring Coupler .....	1	1	1
13	570 0502	Rebound Leaf.....	1	1	1
14	300 8085	Cap Screw .....	2	2	2
15	389 8036	Nut.....	3	3	3
16	505 0022	Union Link .....	2	2	2
17	570 0501	Ski Retaining Cable .....	1	1	1
18	506 0095	Ski Leg .....	1	1	1
19	414 0127	Spring .....	1	1	1
20	506 0051	Steering Arm.....	1	1	1
21	392 0026	Lock Washer .....	1	1	1
22	300 8123	Cap Screw .....	1	1	1
23	309 8033	Cap Screw .....	1	1	1

# STEERING (ALPINE)



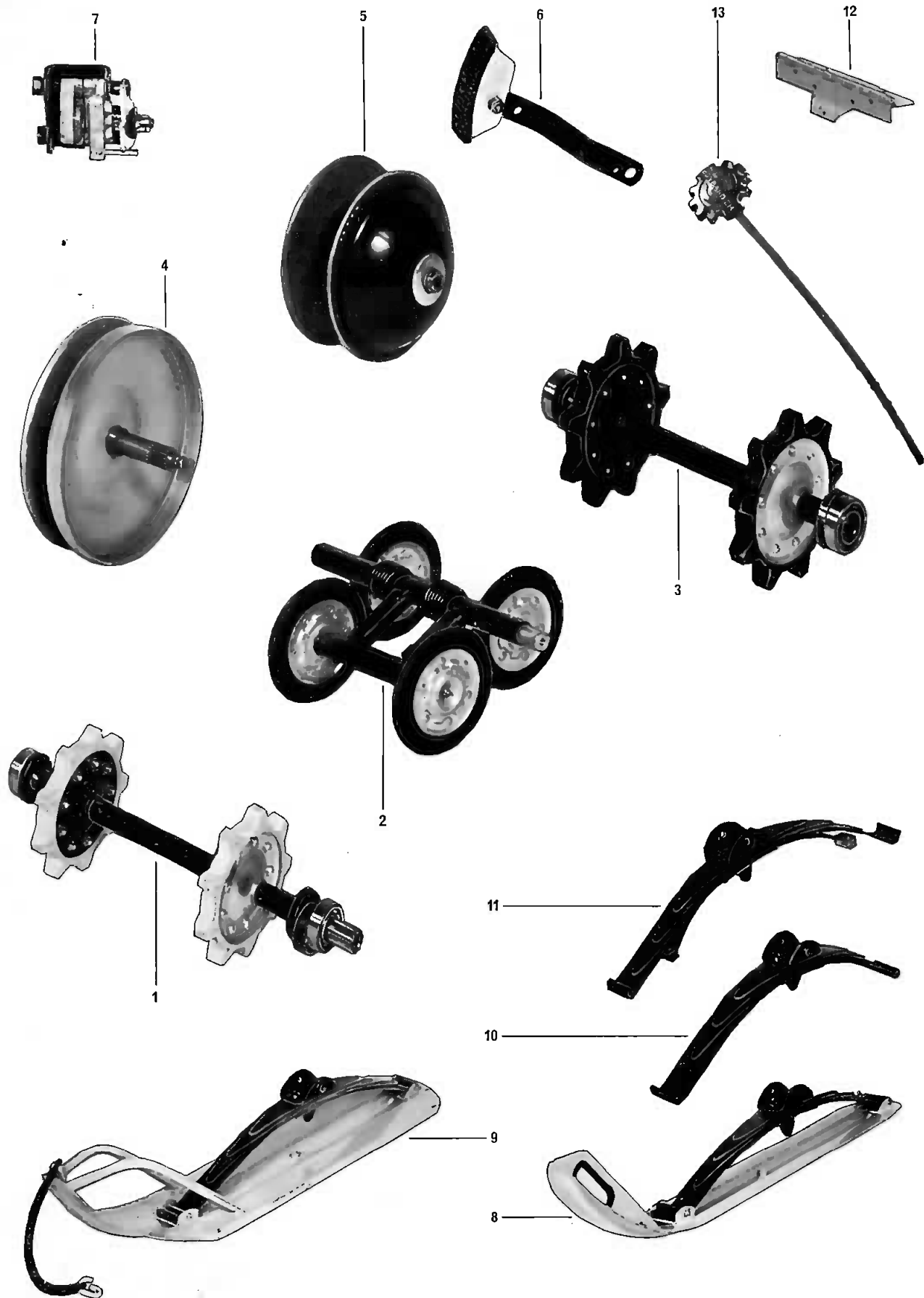
# STEERING (ALPINE)

ITEM NO.	PART NO.	DESCRIPTION	QUANTITY		
			399	399E	640E
1	506 0098	Upper Column .....	1	1	1
2	300 1040	Cap Screw .....	2	2	2
3	387 2022	Nut .....	2	2	2
4	506 0083	Steering Shaft .....	1	1	1
5	506 0084	Steering Column .....	1	1	1
6	506 0029	Bushing .....	2	2	2
7	303 0126	Cap Screw .....	1	1	1
8	506 0091	Ball Bushing .....	1	1	1
9	386 6026	Nut .....	1	1	1
10	506 0085	Retainer Plate .....	2	2	2
11	300 1001	Cap Screw .....	2	2	2
12	300 0003	Cap Screw .....	2	2	2
13	386 6019	Nut .....	4	4	4
14	414 0172	Spring .....	1	1	1
15	506 0110	Handle .....	1	1	1
16	506 0041	Hand Handle .....	2	2	2
17	506 0073	Cable Slug Retainer .....	2	2	2
18	390 5006	Rivet .....	2	2	2
19	390 9001	Rivet .....	2	2	2
20	572 1704	Handle Grip .....	2	2	2
21	300 3126	Cap Screw .....	1	1	1
23	570 1503	Grommet .....	1	1	1
24	570 0603	Grommet .....	1	1	1
25	504 1053	Transmission Rod ..... <i>reverse</i> .....	1	1	1
26	391 0023	Washer .....	1	1	1
27	414 0364	Spring .....	1	1	1
28	371 8002	Cotter Pin .....	1	1	1
29	414 0513	Plastic Ball Knob ..... <i>reverse</i> .....	1	1	1
30	414 0278	Brake Cable .....	1	1	1
30	414 0277	Throttle Cable .....	1	1	1
31	414 0274	Brake Housing .....	1	1	1
31	414 0313	Throttle Housing .....	1	1	
31	414 0275	Throttle Housing .....			1
32	414 0452	Cable Protector .....	1	1	1
33	414 0477	Dash Sticker .....			1





# ASSEMBLY



BOMBARDIER LTD./LTEE

Cat. No. 480 1011

LITHO'D IN CANADA

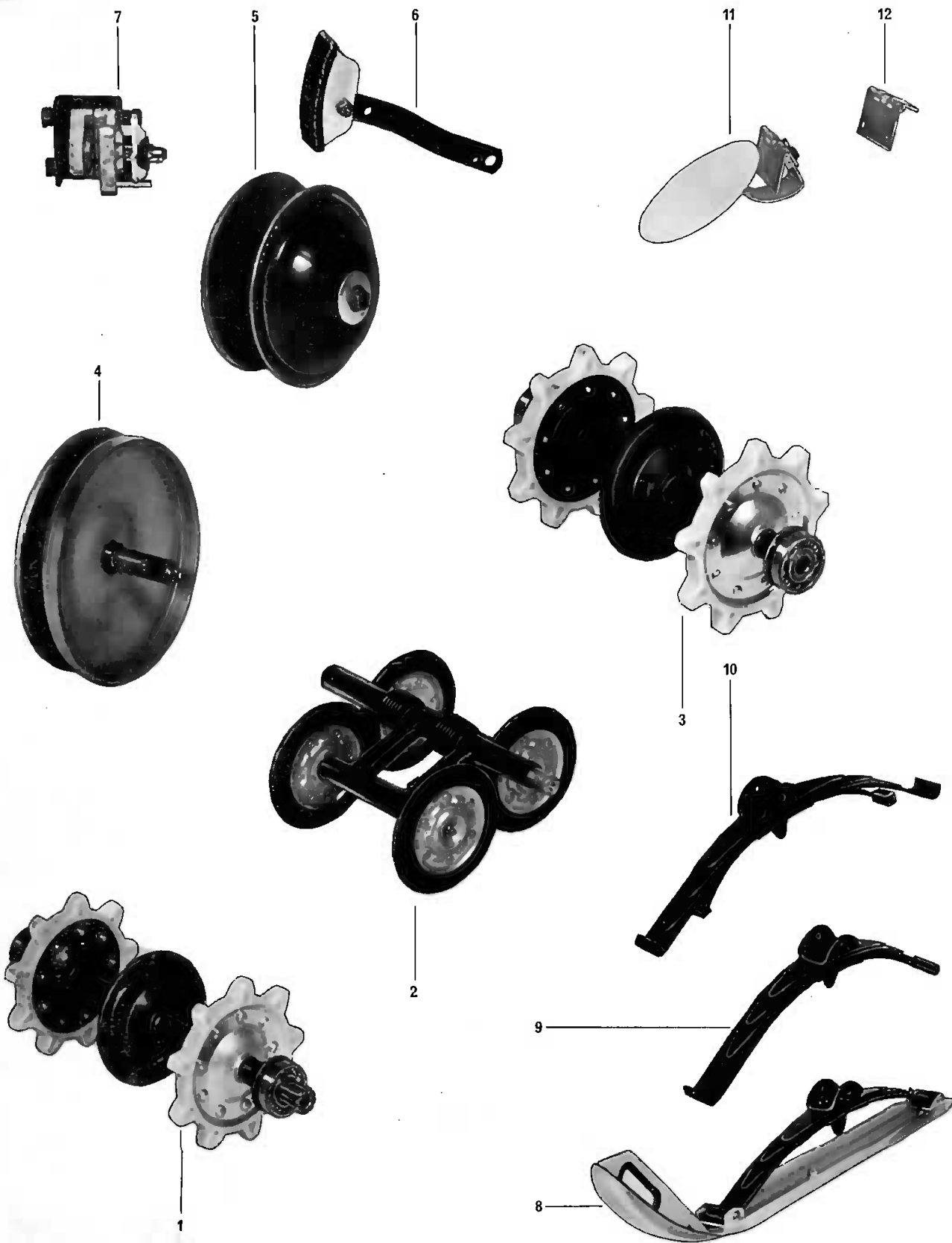
SECTION 1

JANUARY 1970

**ASSEMBLY**

ITEM NO.	PART NO.	DESCRIPTION	MODEL 15"
1	580 1100	Drive Axle Ass'y . . . . .	O-399
1	580 1068	Drive Axle Ass'y . . . . .	O-TNT 15" -B15"
1	580 3025	Drive Axle Ass'y . . . . .	Alpine
2	580 1070	Wheel Ass'y (Spring 1/4) . . . . .	O-TNT15"-B15"-A
2	580 1071	Wheel Ass'y (Spring 9/32) . . . . .	O-TNT15"-B15"
	580 0258	Slide Ass'y . . . . .	TNT 15"-B.15"
3	581 1046	Rear Hub Ass'y . . . . .	O-A399
3	581 3014	Rear Hub Ass'y . . . . .	TNT 15"
3	581 0301	Rear Hub Ass'y . . . . .	B. 15"
3	581 3014	Rear Hub Ass'y . . . . .	A640
4	581 1022	Driven Pulley Ass'y . . . . .	O-TNT15"-B.
5	581 1043	Drive Pulley Ass'y . . . . .	TNT 340
5	581 1051	Drive Pulley Ass'y . . . . .	O-TNT15"A399
5	581 3023	Drive Pulley Ass'y . . . . .	A640
6	581 1023	Brake Lever Ass'y . . . . .	O-TNT 15"
7	560 7006	Disc Brake Unit . . . . .	B15"
7	414 0415	Disc Brake Unit . . . . .	A-399-640
8	581 1048	R.H. Ski Ass'y . . . . .	O-TNT15"
8	581 1049	L.H. Ski Ass'y . . . . .	O-TNT15"
8	581 0304	R.H. Ski Ass'y . . . . .	B15"
8	581 0305	L.H. Ski Ass'y . . . . .	B15"
9	580 3043	Ski Ass'y . . . . .	A399
9	580 3078	Ski Ass'y . . . . .	A640
10	582 1020	R.H. Leaf Spring Ass'y . . . . .	O-TNT15"
10	582 1021	L.H. Leaf Spring Ass'y . . . . .	O-TNT15"
11	582 0301	R.H. Leaf Spring Ass'y . . . . .	B15"
11	582 0302	L.H. Leaf Spring Ass'y . . . . .	B15"
10	582 3004	Leaf Spring Ass'y . . . . .	A399
10	582 3005	Leaf Spring Ass'y . . . . .	640
12	582 1016	Head Lamp Hinge Ass'y . . . . .	O335-399-TNT 340
13	580 1051	Fuel Tank Cap Ass'y . . . . .	O-TNT15"
13	580 3028	Fuel Tank Cap Ass'y . . . . .	A-399-640

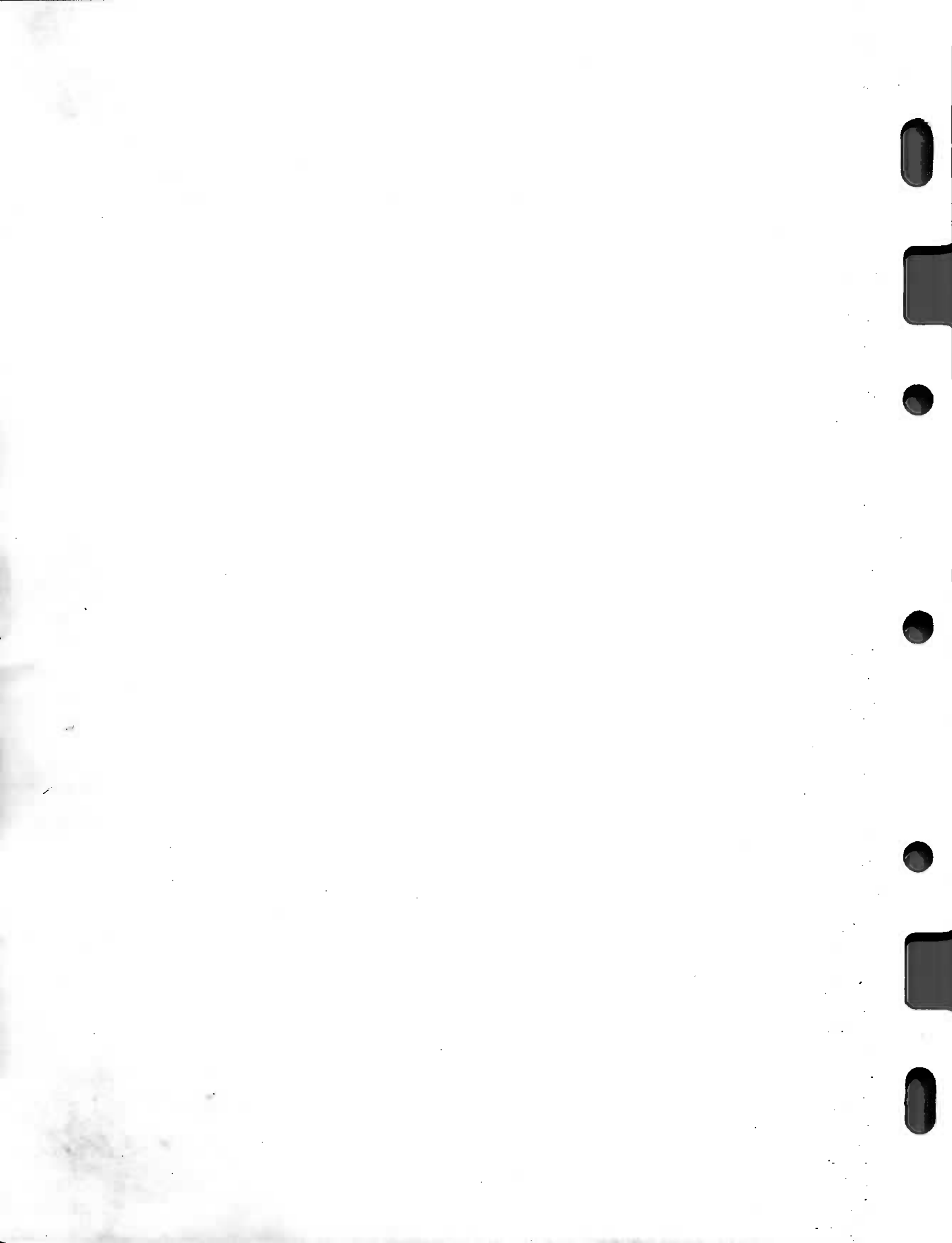
ASSEMBLY





**ASSEMBLY**

ITEM NO.	PART NO.	DESCRIPTION	MODEL 18"
1	580 0130	Drive Axle Ass'y . . . . .	N-399 TNT 399
1	580 0150	Drive Axle Ass'y . . . . .	N640 TNT640-775
1	580 0317	Drive Axle Ass'y . . . . .	B-18"
2	580 0132	Wheel Ass'y (Spring 1/4") . . . . .	N399
2	580 0133	Wheel Ass'y (Spring 9/32") . . . . .	N399
2	580 0152	Wheel Ass'y (Spring 1/4") . . . . .	N640 TNT18" B-18"
2	580 0153	Wheel Ass'y (Spring 9/32") . . . . .	N640 TNT 18" B18"
	580 0259	Slide Ass'y . . . . .	TNT 18" B18"
3	580 0118	Rear Hub Ass'y . . . . .	N399
3	581 0125	Rear Hub Ass'y . . . . .	N640 TNT 18"
3	581 0307	Rear Hub Ass'y . . . . .	B18"
4	581 1022	Driven Pulley Ass'y . . . . .	N399 TNT 399
4	581 0207	Driven Pulley Ass'y . . . . .	N640 TNT640-775 B18"
5	581 1051	Drive Pulley Ass'y . . . . .	N399 TNT 399
5	581 0129	Drive Pulley Ass'y . . . . .	N640 TNT640-775 B776
5	581 3023	Drive Pulley Ass'y . . . . .	B-436 636
6	581 1023	Brake Lever Ass'y . . . . .	N-TNT 18"
7	560 7006	Disc Brake Unit . . . . .	B18"
8	581 0116	R.H. Ski Ass'y . . . . .	N TNT 18"
8	581 0117	L.H. Ski Ass'y . . . . .	N TNT 18"
8	581 0304	R.H. Ski Ass'y . . . . .	B18"
8	581 0305	L.H. Ski Ass'y . . . . .	B18"
9	582 0105	R.H. Leaf Spring Ass'y . . . . .	N-TNT18"
9	582 0106	L.H. Leaf Spring Ass'y . . . . .	N TNT 18"
10	582 0301	R.H. Leaf Spring Ass'y . . . . .	B18"
10	582 0302	L.H. Leaf Spring Ass'y . . . . .	B18"
11	581 0110	Filler Door Ass'y . . . . .	N640 TNT 18"
12	582 0103	Hinge . . . . .	N640 TNT 18"

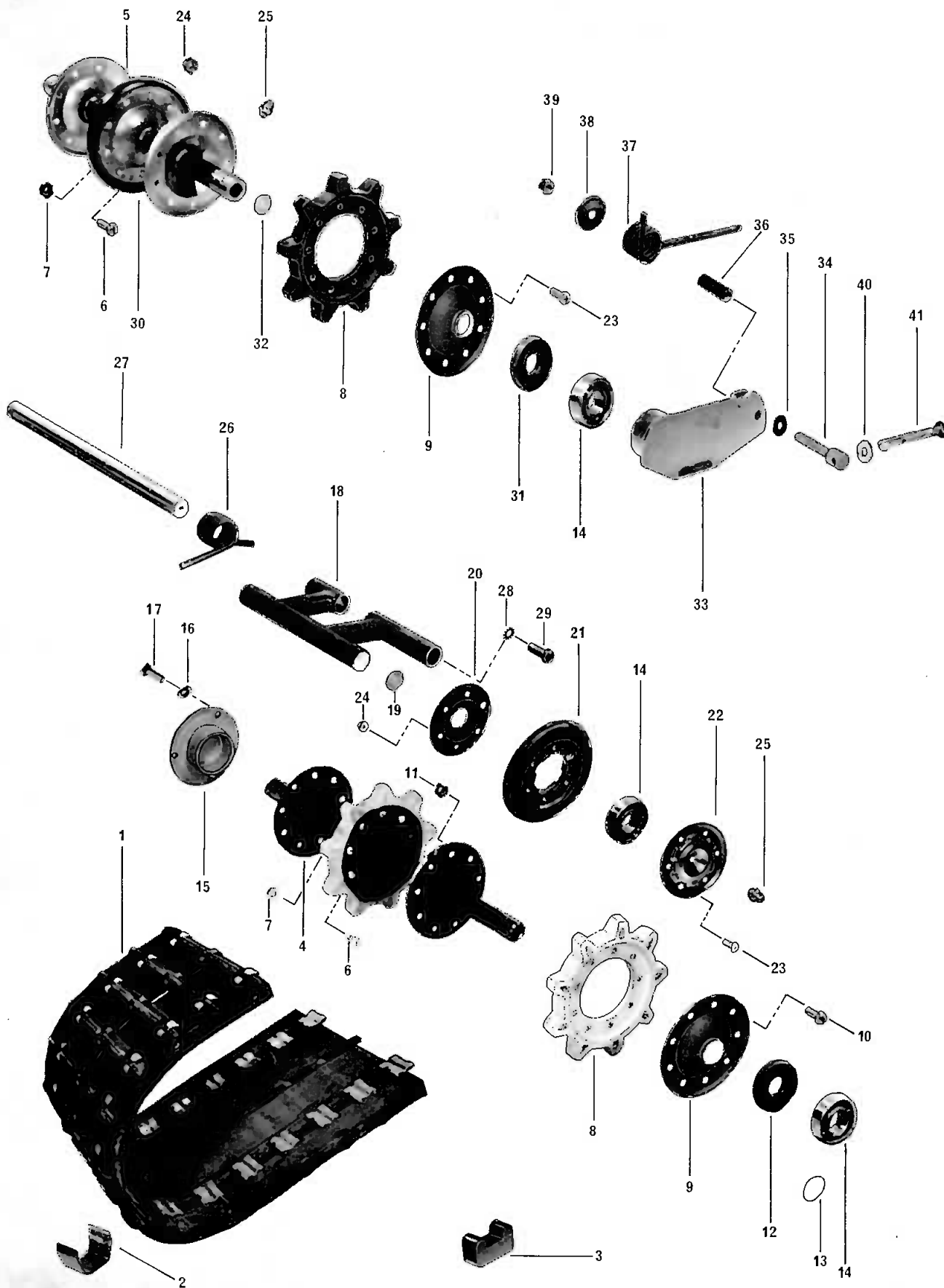


**TNT 775s**

**1970**

**REFER TO TNT 640s**

# BLIZZARD SUSPENSION



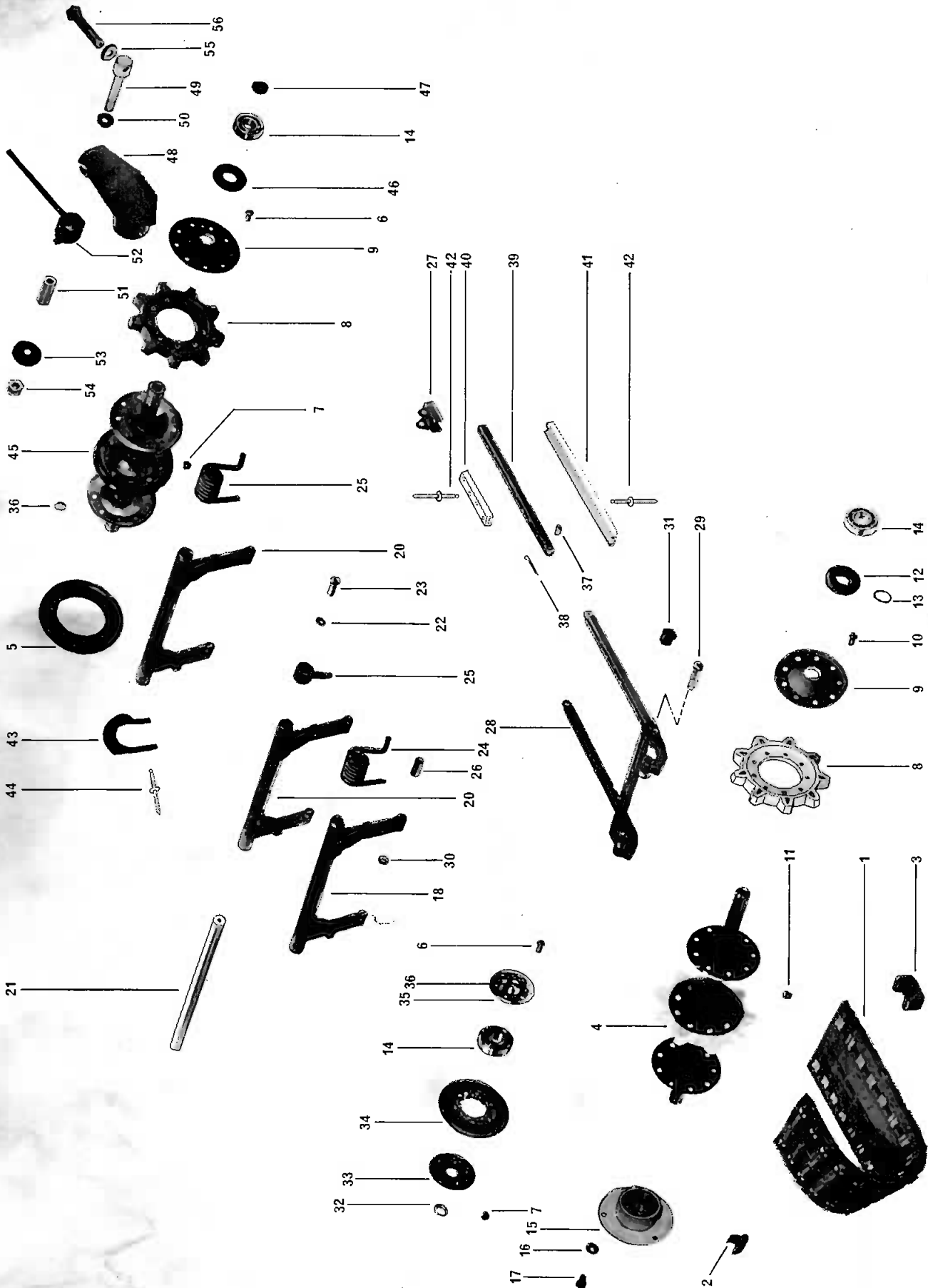
BOMBARDIER LTD./LTEE

Cat. No. 480 1014

## BLIZZARD SUSPENSION

ITEM NO.	PART NO.	DESCRIPTION	QUANTITY				
			292	340	436	636	776
1	570 0010	Track W/Insert	1	1			
1	570 0011	Track W/Insert			1	1	1
2	570 0008	Insert	AR	AR	AR	AR	AR
3	529 0003	Insert Block (Tool)	AR	AR	AR	AR	AR
4	501 0022	Drive Axle	1	1			
4	501 0031	Drive Axle W/Idler			1	1	1
5	570 0304	Idler			1	1	1
6	320 1062	Screw			18	18	18
7	387 3013	Nut			18	18	18
8	414 0001	Sprocket	4	4	4	4	4
9	501 0018	Mobile Flange	4	4	4	4	4
10	320 1102	Screw	18	18	18	18	18
11	387 2012	Nut	18	18	18	18	18
12	581 1017	Seal W/Spring	2	2	2	2	2
13	414 0153	Spring For Seal	2	2	2	2	2
14	405 4002	Bearing	16	16	16	16	16
15	501 0007	End Bearing Housing	1	1	1	1	1
16	392 0019	Washer	3	3	3	3	3
17	300 0000	Screw	3	3	3	3	3
18	502 0002	Wheel Support	6	6			
18	502 0021	Wheel Support			6	6	6
19	502 0011	Cap	12	12	12	12	12
20	502 0015	Inner Flange	12	12	12	12	12
21	570 0205	Wheel Tire	12	12			
21	570 0206	Wheel Tire W/Cotton			12	12	12
22	502 0016	Outer Flange	12	12	12	12	12
23	320 1062	Screw	90	90	90	90	90
24	387 3013	Nut	90	90	90	90	90
25	408 2001	Grease Fitting	14	14	14	14	14
26	502 0010	Spring Front 1/4" $\phi$	4	4	4	4	4
26	502 0020	Spring Rear 9/32" $\phi$	2	2	2	2	2
27	502 0008	Cross Shaft	3	3			
27	502 0014	Cross Shaft			3	3	3
28	399 8001	Washer	6	6	6	6	6
29	300 8043	Screw	6	6	6	6	6
30	503 0043	Rear Hub	1	1			
30	503 0050	Rear Hub W/Idler			1	1	1
31	570 0301	Seal	2	2	2	2	2
32	503 0049	Cap	2	2	2	2	2
33	503 0066	R.H. Link Plate	1	1	1	1	1
33	503 0067	L.H. Link Plate	1	1	1	1	1
34	503 0028	Adjuster Eye Bolt	2	2	2	2	2
35	503 0044	Hardened Washer	2	2	2	2	2
36	503 0040	Adjuster Sleeve	2	2	2	2	2
37	503 0025	R.H. Spring	1	1	1	1	1
37	503 0023	L.H. Spring	1	1	1	1	1
38	503 0016	Retainer Washer	2	2	2	2	2
39	389 8037	Nut	2	2	2	2	2
40	399 9007	Washer	2	2	2	2	2
41	309 8027	Screw	2	2	2	2	2

# BLIZZARD SUSPENSION SLIDING



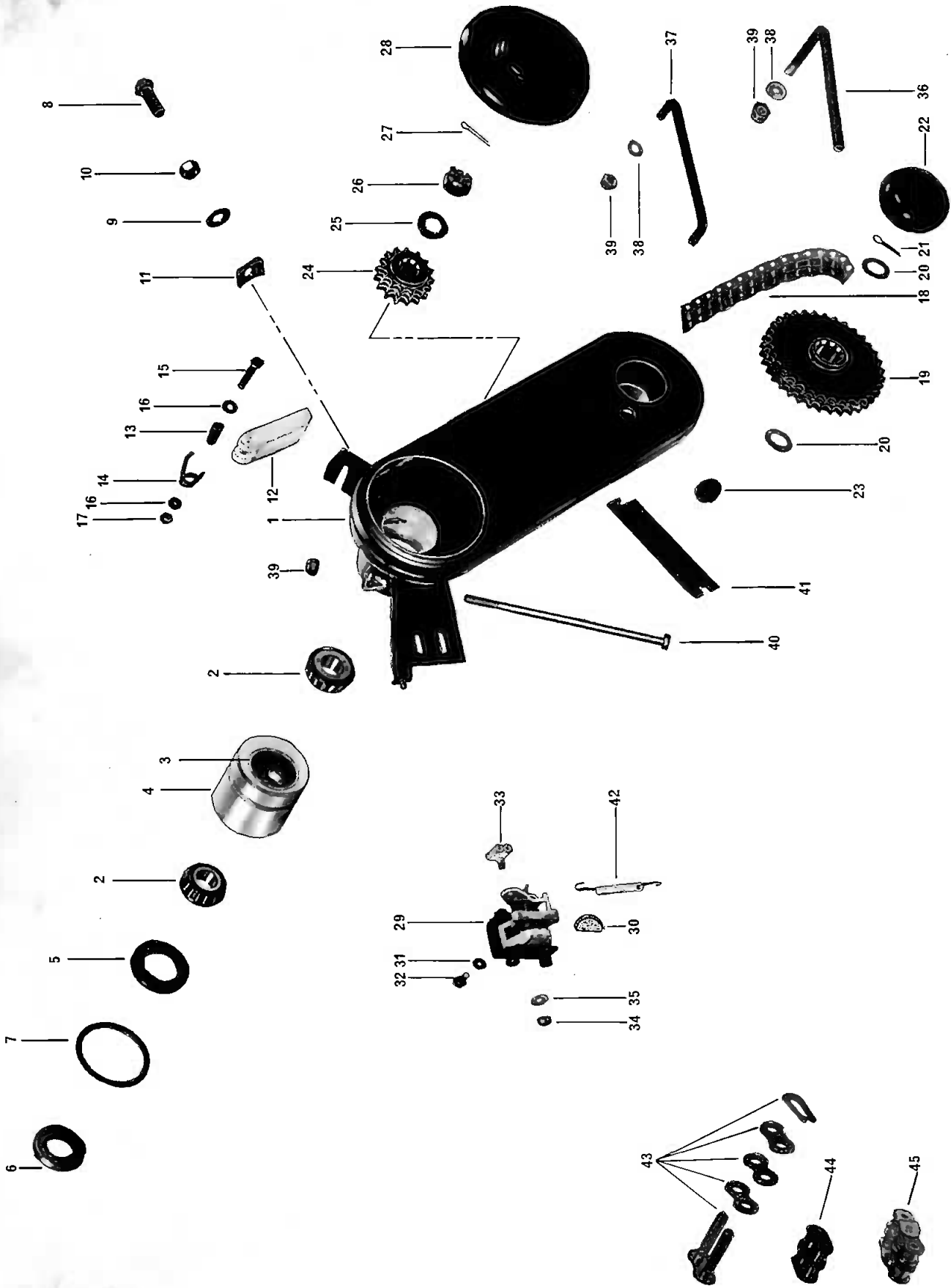
BOMBARDIER LTD./LTEE

Cat. No. 480 1014

**BLIZZARD SUSPENSION SLIDING**

ITEM NO.	PART NO.	DESCRIPTION	QUANTITY				
			292	340	436	636	776
1	570 0010	Track W/Insert . . . . .	1	1			
1	570 0011	Track W/Insert . . . . .			1	1	1
2	570 0008	Insert . . . . .	AR	AR	AR	AR	AR
3	529 0003	Insert Block (Tool) . . . . .	AR	AR	AR	AR	AR
4	501 0022	Drive Axle . . . . .	1	1			
4	501 0031	Drive Axle W/Idler . . . . .			1	1	1
5	570 0304	Idler . . . . .			1	1	1
6	320 1062	Screw . . . . .	30	30	48	48	48
7	387 3013	Nut . . . . .	30	30	48	48	48
8	414 0001	Sprocket . . . . .	4	4	4	4	4
9	501 0018	Mobile Flange . . . . .	4	4	4	4	4
10	320 1102	Screw . . . . .	18	18	18	18	18
11	387 2019	Nut . . . . .	18	18	18	18	18
12	581 1017	Seal W/Spring . . . . .	2	2	2	2	2
13	414 0153	Spring For Seal . . . . .	2	2	2	2	2
14	405 4002	Bearing . . . . .	6	6	6	6	6
15	501 0007	End Bearing Housing . . . . .	1	1	1	1	1
16	392 0019	Washer . . . . .	3	3	3	3	3
17	300 0000	Screw . . . . .	3	3	3	3	3
18	503 0056	Cross Support (Front) . . . . .	1	1			
18	503 0064	Cross Support (Front) . . . . .			1	1	1
20	503 0060	Cross Support (Rear) . . . . .	3	3			
20	503 0063	Cross Support (Rear) . . . . .			3	3	3
21	502 0008	Cross Shaft . . . . .	4	4			
21	502 0014	Cross Shaft . . . . .			4	4	4
22	399 8001	Washer . . . . .	8	8	8	8	8
23	300 8043	Screw . . . . .	8	8	8	8	8
24	414 0530	R.H. Spring (Front) . . . . .	1	1	1	1	1
24	414 0523	L.H. Spring (Front) . . . . .	1	1	1	1	1
25	414 0531	R.H. Spring . . . . .	3	3	3	3	3
25	414 0524	L.H. Spring . . . . .	3	3	3	3	3
26	503 0054	Sleeve . . . . .	8	8	8	8	8
27	503 0055	Slider . . . . .	6	6	6	6	6
28	503 0057	Runner Tube (Front) . . . . .	1	1			
28	503 0065	Runner Tube (Front) . . . . .			1	1	1
29	300 1048	Screw . . . . .	8	8	8	8	8
30	389 8037	Nut . . . . .	8	8	8	8	8
31	570 1728	End Cap . . . . .	2	2	2	2	2
32	502 0011	Cap . . . . .	2	2	2	2	2
33	502 0015	Inner Flange . . . . .	2	2	2	2	2
34	570 0206	Wheel Tire . . . . .	2	2	2	2	2
35	502 0016	Outer Flange . . . . .	2	2	2	2	2
36	408 2001	Grease Fitting . . . . .	2	2	2	2	2
37	414 0340	Clevis Pin . . . . .	2	2	2	2	2
38	371 0011	Cotter Pin . . . . .	2	2	2	2	2
39	503 0059	Runner Tube (Rear) . . . . .	2	2	2	2	2
40	414 0527	Sliding Pad . . . . .	4	4	4	4	4
41	414 0525	Slider Shoe . . . . .	4	4	4	4	4
42	390 4022	Rivet . . . . .	44	44	44	44	44
43	414 0526	Track Protector . . . . .	6	6	6	6	6
44	390 4023	Rivet . . . . .	12	12	12	12	12
45	503 0043	Rear Hub . . . . .	1	1			
45	503 0050	Rear Hub . . . . .			1	1	1
46	570 0301	Seal . . . . .	2	2	2	2	2
47	503 0049	Cap . . . . .	2	2	2	2	2
48	503 0066	R.H. Link Plate . . . . .	1	1	1	1	1
48	503 0067	L.H. Link Plate . . . . .	1	1	1	1	1
49	503 0028	Adjuster Eye Bolt . . . . .	2	2	2	2	2
50	503 0044	Hardened Washer . . . . .	2	2	2	2	2
51	503 0040	Adjuster Sleeve . . . . .	2	2	2	2	2
52	503 0025	R.H. Spring . . . . .	1	1	1	1	1
52	503 0023	L.H. Spring . . . . .	1	1	1	1	1
53	503 0016	Retainer Washer . . . . .	2	2	2	2	2
54	389 8037	Nut . . . . .	2	2	2	2	2
55	399 9007	Washer . . . . .	2	2	2	2	2
56	309 8027	Screw . . . . .	2	2	2	2	2

# BLIZZARD CHAIN CASE



BOMBARDIER LTD./LTEE

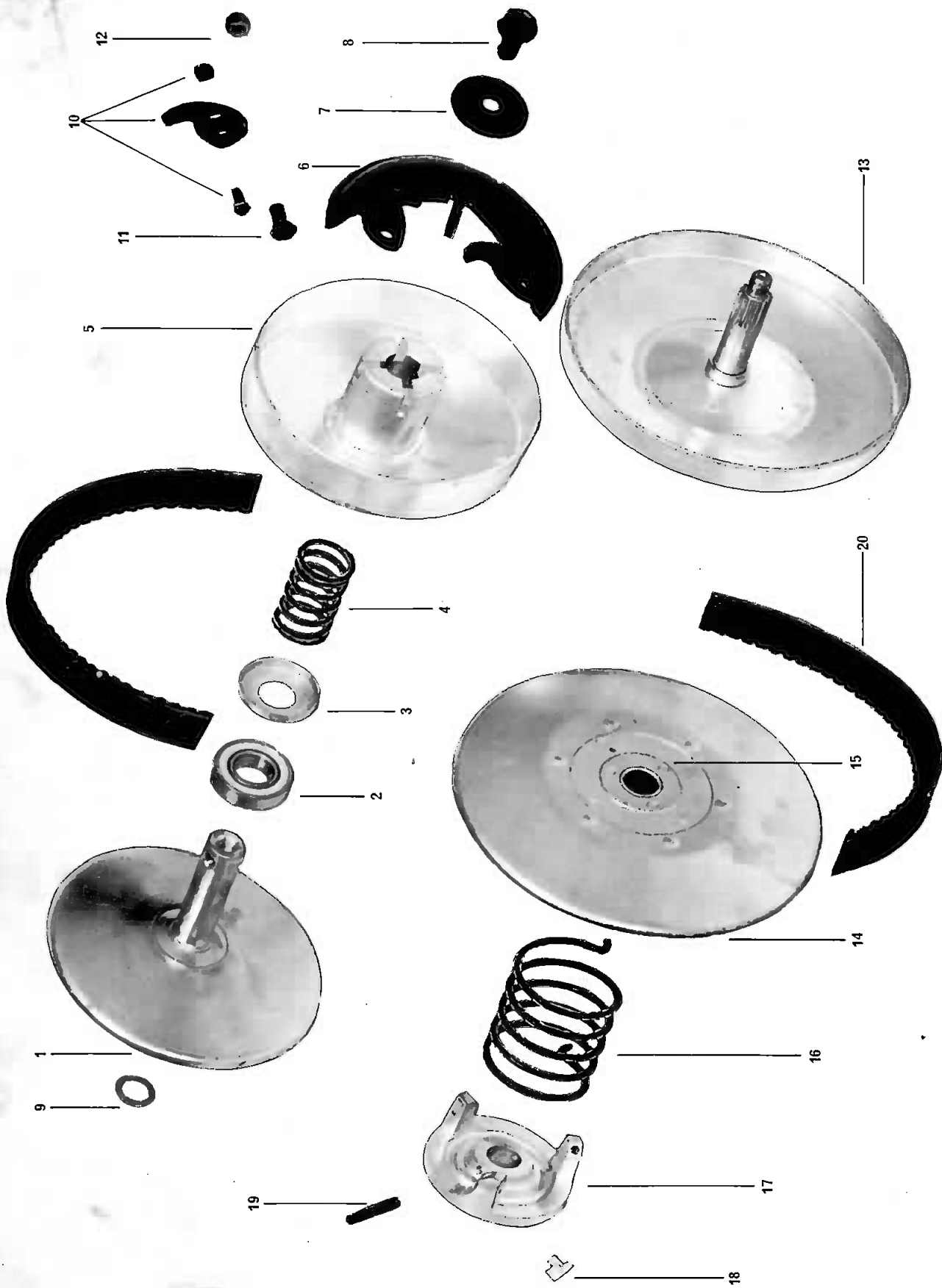
Cat. No. 480 1014



**BLIZZARD CHAIN CASE**

ITEM NO.	PART NO.	DESCRIPTION	QUANTITY				
			292	340	436	636	776
1	504 0103	Chain Case . . . . .	1	1			
1	504 0108	Chain Case . . . . .			1	1	1
2	405 0001	Bearing Cone . . . . .	2	2			
2	405 0004	Bearing Cone . . . . .			2	2	2
3	405 0002	Bearing Cup . . . . .	2	2			
3	405 0003	Bearing Cup . . . . .			2	2	2
4	504 0100	Tensioner W/Cup . . . . .	1	1			
4	504 0101	Tensioner W/Cup . . . . .			1	1	1
5	504 0046	Oil Retainer Ring . . . . .	1	1			
5	504 0058	Oil Retainer Ring . . . . .			1	1	1
6	406 3001	Oil Seal . . . . .	1	1			
6	406 3002	Oil Seal . . . . .			1	1	1
7	406 0001	"O" Ring . . . . .	1	1			
7	406 0003	"O" Ring . . . . .			1	1	1
8	300 4084	Cap Screw . . . . .	1	1	1	1	1
9	399 8016	Washer . . . . .	1	1	1	1	1
10	380 9024	Nut . . . . .	1	1	1	1	1
11	504 0072	Segment . . . . .	1	1	1	1	1
12	572 0402	Chain Tensioner . . . . .	2	2	2	2	2
13	504 0104	Bushing . . . . .	2	2	2	2	2
14	414 0545	Spring . . . . .	2	2	2	2	2
15	300 0006	Screw . . . . .	2	2	2	2	2
16	402 0064	Washer . . . . .	4	4	4	4	4
17	386 6119	Nut . . . . .	2	2	2	2	2
18	412 1007	Driving Chain . . . . .	1	1	1		
18	412 1010	Driving Chain . . . . .				1	1
19	504 0045	Sprocket 34 Teeth . . . . .	1	1	1	1	1
20	504 0039	Spacer . . . . .	2	2	2	2	2
21	371 0013	Cotter Pin . . . . .	1	1	1	1	1
22	570 0413	Access Plug . . . . .	1	1	1	1	1
23	570 0406	Plug . . . . .	1	1	1	1	1
24	504 0091	Sprocket 14 Teeth . . . . .	1				
24	504 0044	Sprocket 15 Teeth . . . . .		1			
24	504 0106	Sprocket 16 Teeth . . . . .			1		
24	504 0083	Sprocket 20 Teeth . . . . .				1	
24	504 0059	Sprocket 22 Teeth . . . . .					1
25	504 0015	Shaft Washer . . . . .	1	1			
25	417 0009	Shaft Washer . . . . .			1	1	1
26	381 2028	Nut . . . . .	1	1			
26	389 8024	Nut . . . . .			1	1	1
27	371 0011	Cotter Pin . . . . .	1	1			
27	371 0032	Cotter Pin . . . . .			1	1	1
28	570 0403	Inspection Cover . . . . .	1	1	1	1	1
29	560 7006	Disc. Brake Unit . . . . .	1	1	1	1	1
30	414 0672	Puck . . . . .	1	1	1	1	1
31	399 9015	Washer . . . . .	2	2	2	2	2
32	300 1000	Screw . . . . .	2	2	2	2	2
33	504 0105	End Housing . . . . .	1	1	1	1	1
34	386 6019	Nut . . . . .	1	1	1	1	1
35	399 8007	Washer . . . . .	2	2	2	2	2
36	504 0087	Bracket . . . . .	1	1			
36	504 0088	Bracket . . . . .			1	1	1
37	504 0042	"U" Clamp . . . . .	1	1			
37	504 2038	"U" Clamp . . . . .			1	1	1
38	399 9007	Washer . . . . .	3	3	3	3	3
39	386 6022	Nut . . . . .	4	4	4	4	4
40	309 8030	Special Screw . . . . .	1	1	1	1	1
41	504 0020	Shim . . . . .	AR	AR	AR	AR	AR
42	414 0257	Spring . . . . .	1	1	1	1	1
43	412 6007	Connecting Link Double 3/8 P . . . . .	AR	AR	AR	AR	AR
44	412 6012	Inner Link Double 3/8 P . . . . .	AR	AR	AR	AR	AR
45	412 6008	Cranked Link Double 3/8 P . . . . .	AR	AR	AR	AR	AR

# BLIZZARD TRANSMISSION



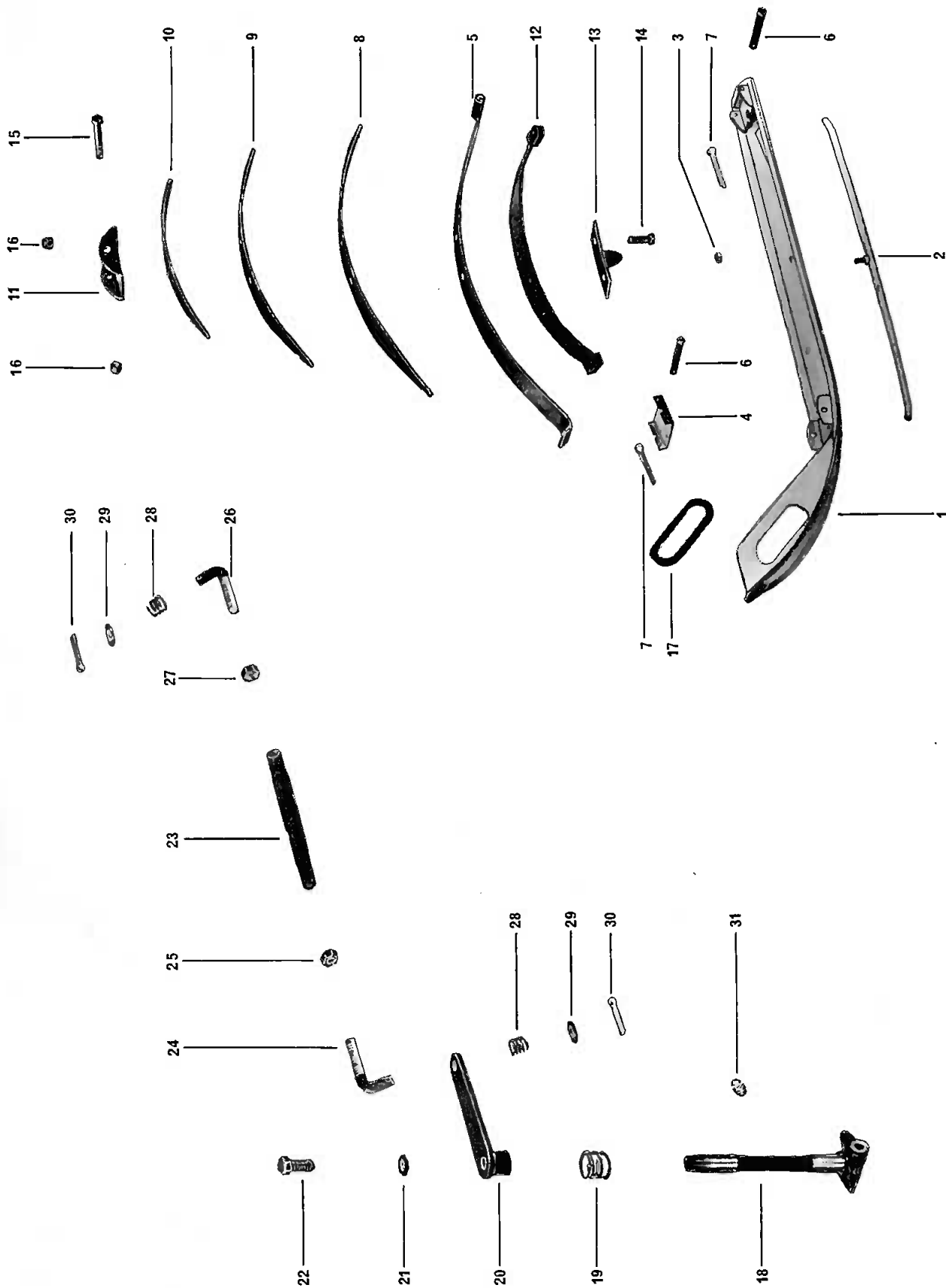
BOMBARDIER LTD./LTEE

Cat. No. 480 1014

**BLIZZARD TRANSMISSION**

ITEM NO.	PART NO.	DESCRIPTION	QUANTITY				
			292	340	436	636	776
1	504 2044	Inner Half .....	1	1	1	1	1
2	405 4008	Bearing .....	1	1	1	1	1
3	504 0094	Spring Seat .....	1	1	1	1	1
4	414 0013	Spring .....	1	1	1	1	1
5	504 2045	Outer Half .....	1	1	1	1	1
6	504 2022	Cent. Governor .....	1	1			
6	504 2052	Cent Governor .....			1	1	
6	504 2034	Cent. Governor .....					1
7	504 2026	Governor Washer .....	1	1	1	1	1
8	309 8010	Special Screw .....	1	1	1	1	1
9	504 1009	Shim .....	1	1			
9	504 1057	Shim .....			1	1	1
10	504 2024	Pressure Lever Kit .....	AR	AR			
10	504 2041	Pressure Lever Kit W/1/4" Hole ...			AR	AR	
10	504 2040	Pressure Lever Kit W/3/8" Hole ...					AR
11	300 0001	Screw .....			4	4	
11	300 0081	Screw .....					4
12	386 6019	Nut .....			4	4	
12	386 6024	Nut .....					4
13	504 1037	Fixed Pulley Half .....	1	1			
13	504 1046	Fixed Pulley Half .....			1	1	1
14	504 1029	Sliding Pulley .....	1	1			
14	504 1030	Sliding Pulley .....			1	1	1
15	405 6002	Bushing .....	1	1			
15	405 8003	Bushing .....			1	1	1
16	414 0125	Spring .....	1	1			
16	414 0138	Spring .....			1	1	1
17	560 4001	Outer Cam .....	1	1			
17	504 1035	Outer Cam .....			1	1	1
18	414 0126	Cam Slider Shoe .....	3	3	3	3	3
19	372 1123	Roll Pin .....	1	1			
19	372 1124	Roll Pin .....			1	1	1
20	570 0411	Drive Belt .....	1	1	1		
20	570 0414	Drive Belt .....				1	1

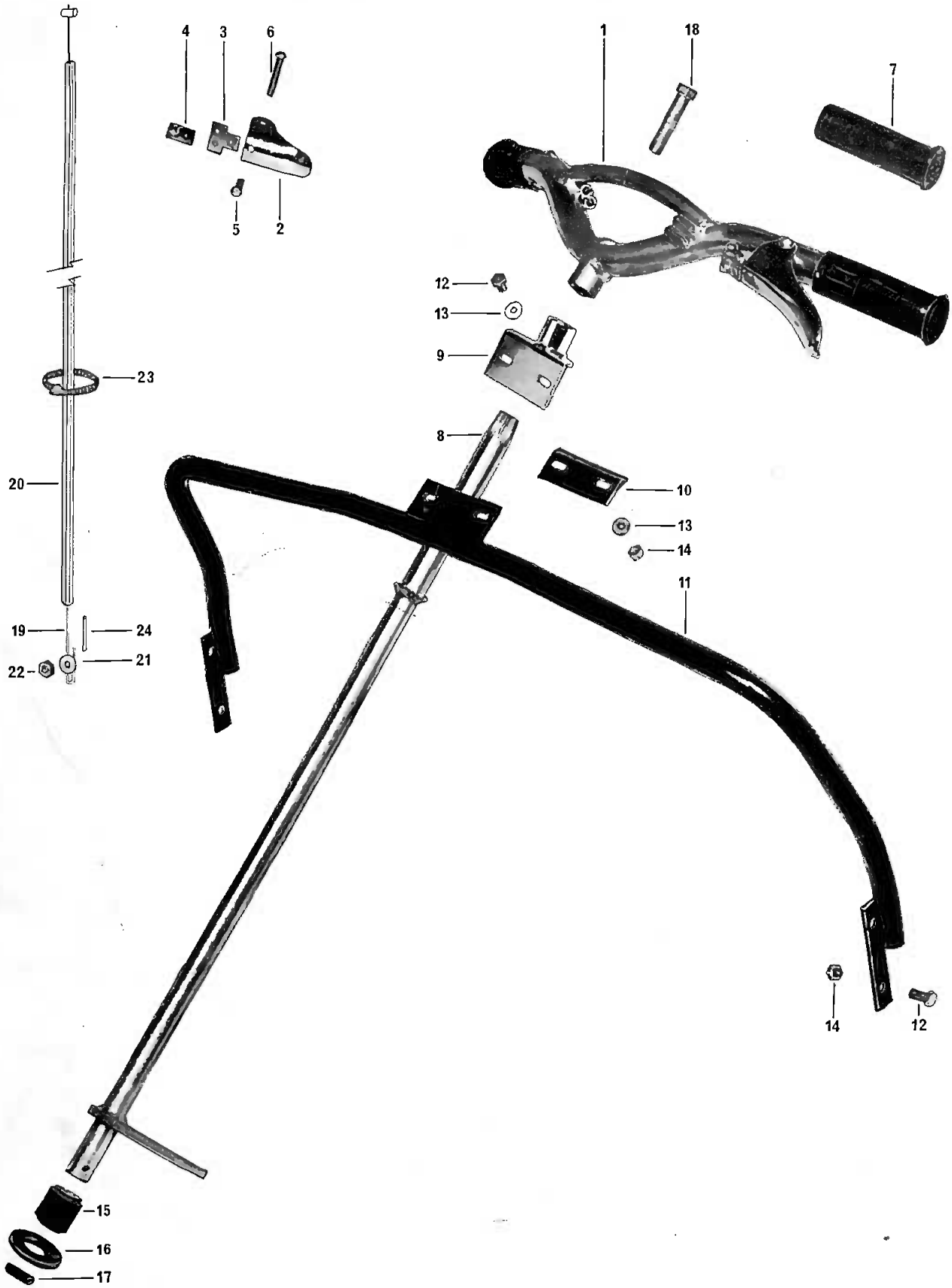
# BLIZZARD SKI



BLIZZARD SKI

ITEM NO.	PART NO.	DESCRIPTION	QUANTITY				
			292	340	436	636	776
1	505 0042	Ski Runner . . . . .	2	2	2	2	2
2	505 0046	Runner Shoe . . . . .	2	2	2	2	2
3	387 2022	Nut . . . . .	2	2	2	2	2
4	505 0033	Spring Slider Cushion . . . . .	2	2	2	2	2
5	505 0016	Main Leaf Spring . . . . .	2	2	2	2	2
6	505 0034	Retainer Pin . . . . .	4	4	4	4	4
7	371 0011	Cotter Pin . . . . .	4	4	4	4	4
8	505 0014	Auxiliary Spring . . . . .	2	2	2	2	2
9	505 0013	Auxiliary Spring . . . . .	2	2	2	2	2
10	505 0015	Auxiliary Spring . . . . .	2	2	2	2	2
11	505 0045	Spring Coupler . . . . .	2	2	2	2	2
12	505 0054	Overload Spring . . . . .	2	2	2	2	2
13	570 0502	Rebound Leaf . . . . .	2	2	2	2	2
14	300 8085	Screw . . . . .	4	4	4	4	4
15	309 8007	Screw . . . . .	2	2	2	2	2
16	389 8036	Nut . . . . .	6	6	6	6	6
17	570 0503	Inside Lift Plate Protector . . . . .	2	2	2	2	2
18	506 0078	R.H. Ski Leg . . . . .	1	1	1	1	1
18	506 0077	L.H. Ski Leg . . . . .	1	1	1	1	1
19	414 0127	Spring . . . . .	2	2	2	2	2
20	506 0014	Steering Arm . . . . .	2	2	2	2	2
21	392 0026	Washer . . . . .	2	2	2	2	2
22	300 8123	Screw . . . . .	2	2	2	2	2
23	506 0043	Tie Rod . . . . .	2	2			
23	506 0058	Tie Rod . . . . .			2	2	2
24	506 0017	Tie Rod End L.H. . . . .	2	2	2	2	2
25	389 8015	Jam Nut R.H. . . . .	2	2	2	2	2
26	506 0044	Center Tie Rod End . . . . .	2	2	2	2	2
27	389 8016	Jam Nut L.H. . . . .	2	2	2	2	2
28	414 0364	Spring . . . . .	4	4	4	4	4
29	391 0025	Flat Washer . . . . .	4	4	4	4	4
30	371 0031	Cotter Pin . . . . .	4	4	4	4	4
31	408 2001	Grease Fitting . . . . .	2	2	2	2	2

# BLIZZARD STEERING



BLIZZARD STEERING

ITEM NO.	PART NO.	DESCRIPTION	QUANTITY				
			292	340	436	636	776
1	506 0116	Handle . . . . .	1	1	1	1	1
2	506 0041	Throttle Handle . . . . .	1	1	1	1	1
2	506 0111	Brake Handle . . . . .	1	1	1	1	1
3	506 0115	Bracket . . . . .	1	1	2	2	2
4	506 0073	Cable Slug Retainer . . . . .	3	3	4	4	4
5	390 5006	Rivet . . . . .	4	4	6	6	6
6	390 9001	Rivet . . . . .	2	2	2	2	2
7	572 1704	Handle Grip . . . . .	2	2	2	2	2
8	506 0100	Handle Bar . . . . .	1	1	1	1	1
9	506 0079	Bar Bracket . . . . .	1	1			
9	506 0090	Bar Bracket . . . . .			1	1	1
10	506 0112	Bracket . . . . .	1	1			
11	506 0117	Upper Column . . . . .	1	1			
11	506 0118	Upper Column . . . . .			1	1	1
12	300 1001	Screw . . . . .	4	4	2	2	2
12	300 1001	Screw . . . . .			4	4	4
13	399 9015	Washer . . . . .	4	4	4	4	4
14	386 6019	Nut . . . . .	4	4	6	6	6
15	570 0601	Steering Bushing . . . . .	1	1	1	1	1
16	391 0036	Washer . . . . .	1	1	1	1	1
17	372 1122	Roll Pin . . . . .	1	1	1	1	1
18	300 3126	Screw . . . . .	1	1			
18	300 3128	Screw . . . . .			1	1	1
19	414 0359	Brake Cable . . . . .	2	2	2	2	2
19	414 0264	Throttle Cable . . . . .	1	1			
19	414 0314	Throttle Cable . . . . .			2	2	2
20	414 0358	Brake Housing . . . . .	2	2	2	2	2
20	414 0263	Throttle Housing . . . . .	1	1			
20	414 0313	Throttle Housing . . . . .			2	2	2
21	399 9008	Washer . . . . .	1	1	1	1	1
22	386 6119	Nut . . . . .	1	1			
22	386 6119	Nut . . . . .			1	1	1
23	114 0043	Hose Tie . . . . .	1	1	1	1	1
24	414 0452	Cable Protector . . . . .	1	1	2	2	2

