

**BOMBARDIER**

***ski-doo***

**PARTS MANUAL**



**1969 OLYMPIC**

**BOMBARDIER**

LTD/LTÉE

***ski-doo***

**OLYMPIC 1969**

OLYMPIC S/S 12/3

OLYMPIC S/S 320

OLYMPIC TNT 399

NORDIC TNT 669

**DIVISION SKI-DOO DIVISION  
PARTS MANUAL  
MANUEL / PIECES**

VALCOURT QUEBEC CANADA

## GENERAL INFORMATION

### PARTS CATALOGUE

#### ILLUSTRATIONS

The illustrations figuring in this parts catalogue show the typical construction of the different assemblies and, in all cases, may not reproduce the full detail or exact shape of the parts shown, however, they represent parts which have the same or a similar function.

## BOMBARDIER SKI-DOO

---

#### MODEL - MODÈLE

OLYMPIC 292CC - MANUAL

OLYMPIC 335CC - MANUAL

OLYMPIC 399CC - MANUAL

NORDIC 669CC - MANUAL

#### ILLUSTRATIONS

Les illustrations qui figurent dans ce catalogue de pièces montrent la construction typique des ensembles variés et dans tous les cas peuvent ne pas indiquer la forme exacte, ou le détail de la pièce voulue; cependant, elles ont pour but d'identifier des pièces qui ont la même fonction ou une fonction similaire -

## INFORMATION GÉNÉRALE

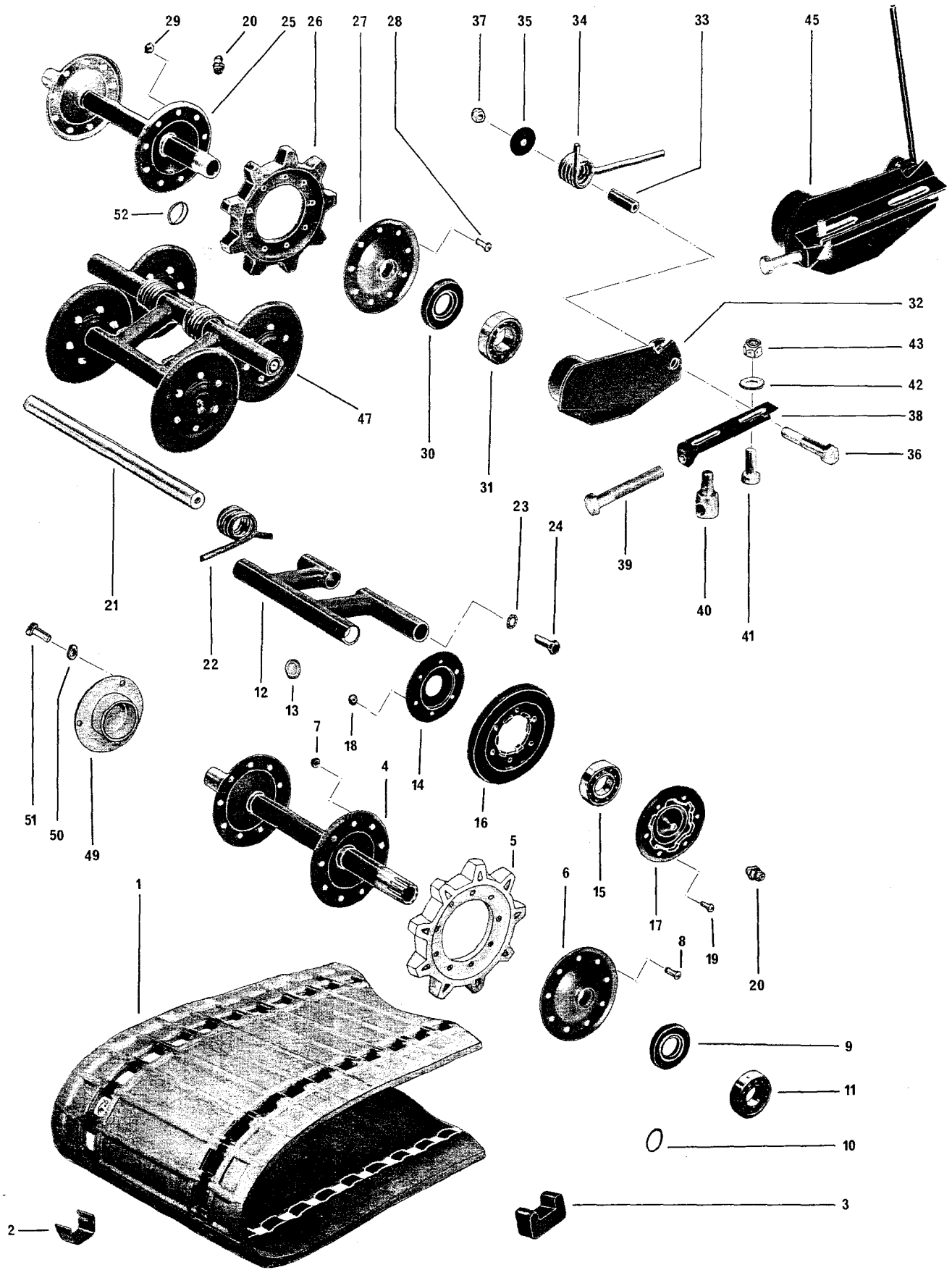
### CATALOGUE / PIÈCES

# INDEX

| DESCRIPTION                | SECTION |
|----------------------------|---------|
| TRACK .....                | 0       |
| DRIVE .....                | I       |
| WHEEL .....                | II      |
| SUSPENSION .....           | III     |
| TRANSMISSION .....         | IV      |
| SKI .....                  | V       |
| STEERING .....             | VI      |
| BRAKE .....                | VII     |
| THROTTLE .....             | X       |
| ENGINE & EXHAUST .....     | XII     |
| FUEL .....                 | XIII    |
| ELECTRICAL .....           | XV      |
| BODY .....                 | XVII    |
| -----                      |         |
| CHENILLE .....             | 0       |
| COMMANDE .....             | I       |
| ROUE .....                 | II      |
| SUSPENSION .....           | III     |
| TRANSMISSION .....         | IV      |
| SKI .....                  | V       |
| CONDUITE .....             | VI      |
| FREIN .....                | VII     |
| ACCÉLÉRATEUR .....         | X       |
| MOTEUR & ÉCHAPPEMENT ..... | XII     |
| ESSENCE .....              | XIII    |
| SYSTÈME ÉLECTRIQUE .....   | XV      |
| CHASSIS .....              | XVII    |

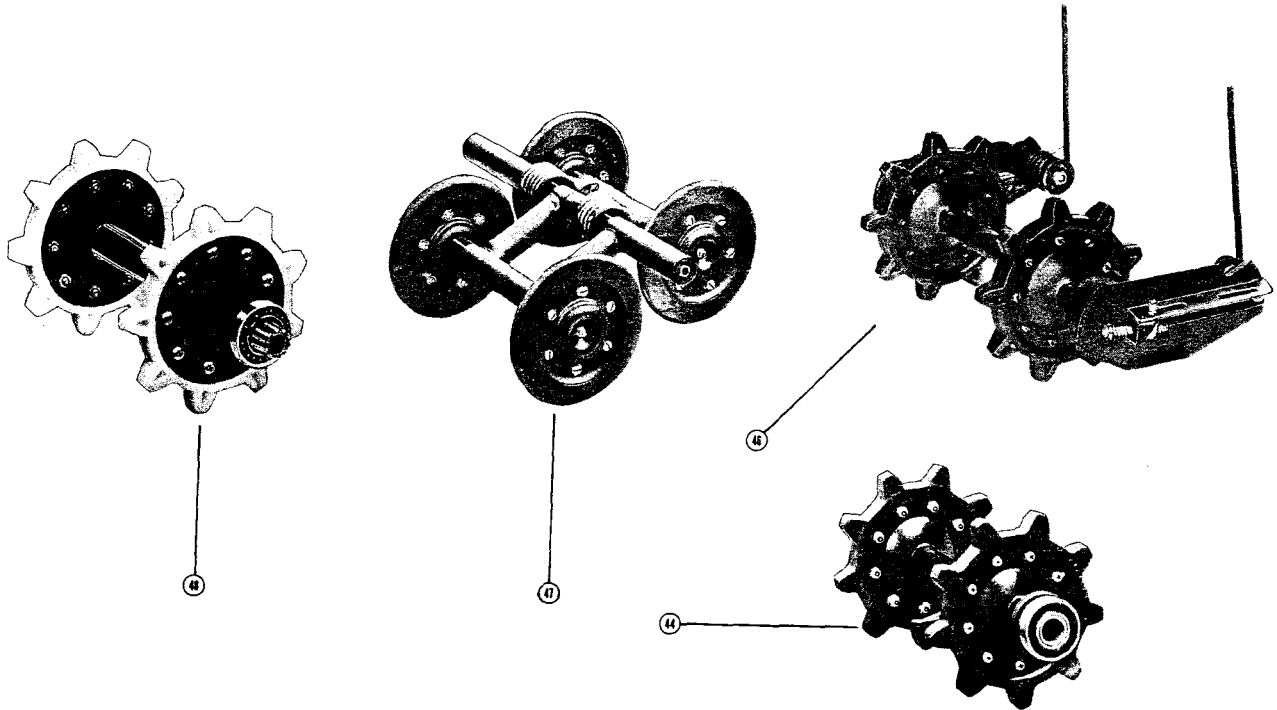
SUSPENSION

SUSPENSION

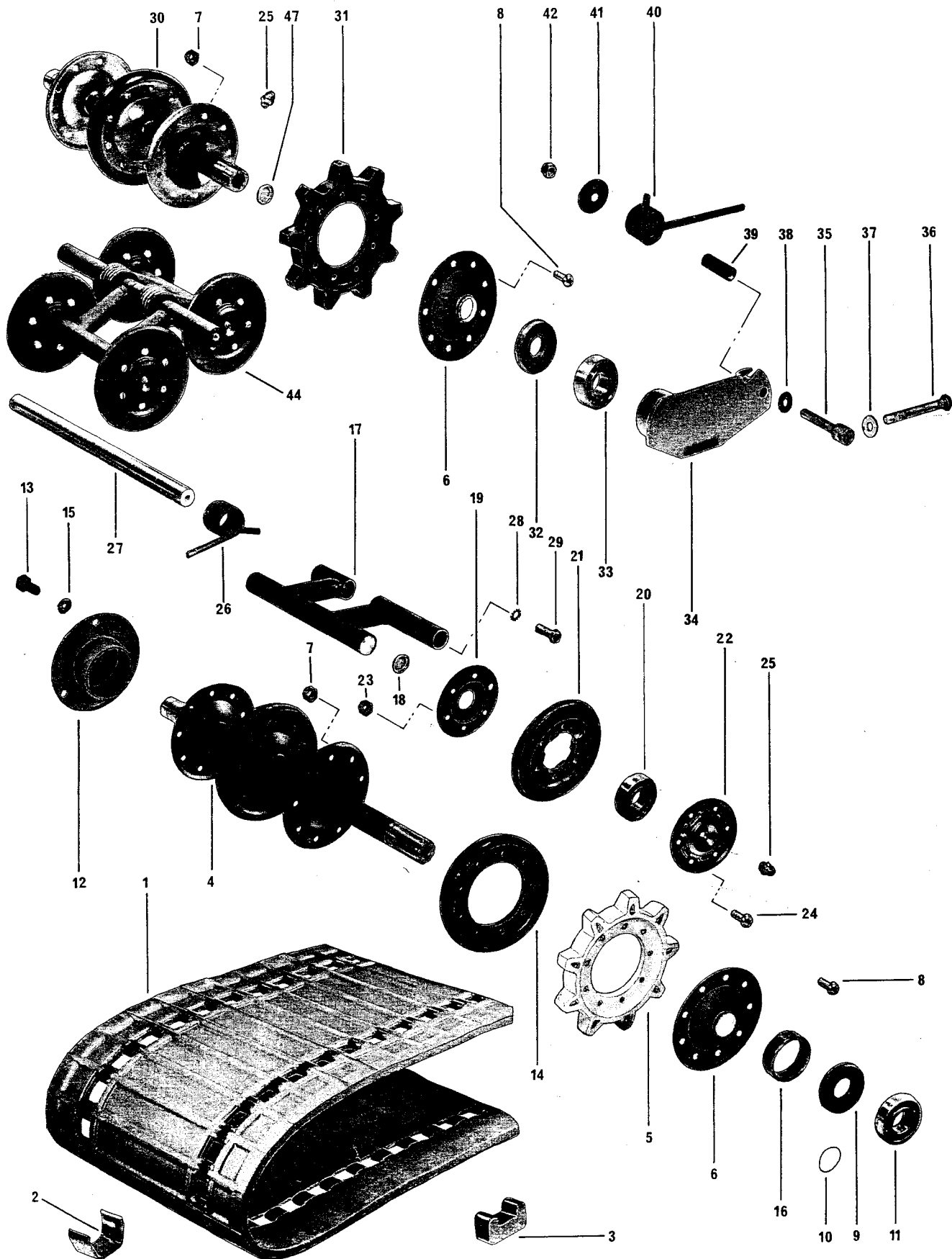


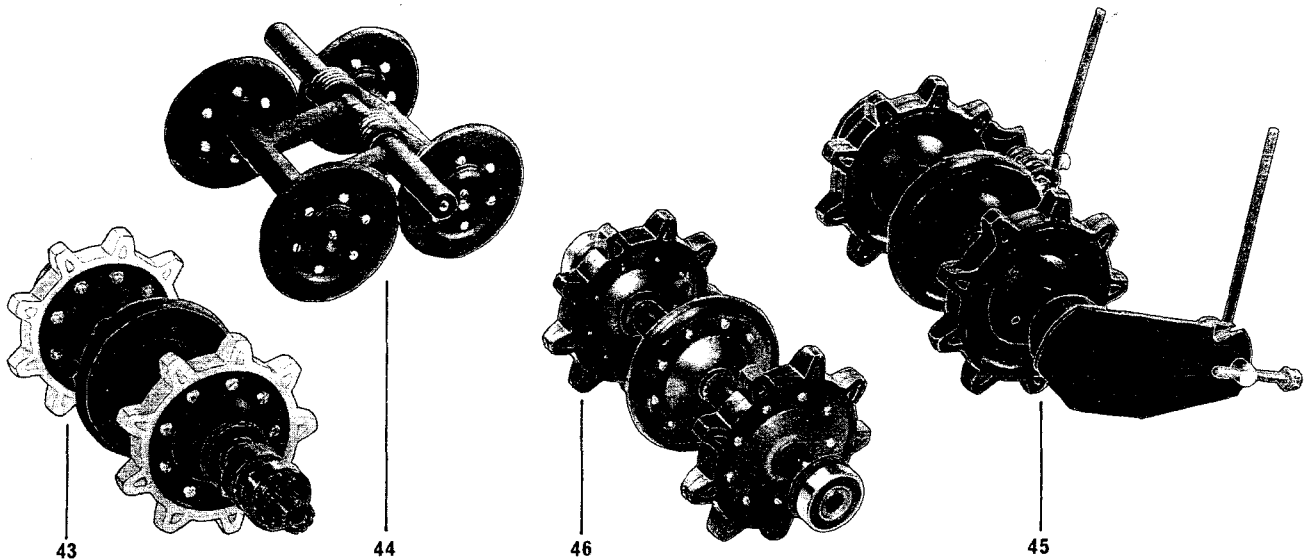
SUSPENSION

SUSPENSION



| ITEM NO. | PART NO. | DESCRIPTION         | QUANTITY |        | ITEM NO. | PART NO. | DESCRIPTION         | QUANTITY |        |
|----------|----------|---------------------|----------|--------|----------|----------|---------------------|----------|--------|
|          |          |                     | 12/3 SS  | 320 SS |          |          |                     | 12/3 SS  | 320 SS |
| 1        | 570 0002 | Track Assembly      | 1        | 1      | 30       | 570 0301 | Seal                | 2        | 2      |
| 2        | 570 0003 | Track Insert        | —        | —      | 31       | 405 4002 | Bearing             | 2        | 2      |
| 3        | 529 0003 | Insert Block (Tool) | —        | —      | 32       | 503 0035 | R.H. Link Plate     | 1        | 1      |
| 4        | 501 0012 | Drive Axle          | 1        | 1      | 32       | 503 0036 | L.H. Link Plate     | 1        | 1      |
| 5        | 414 0001 | Sprocket            | 2        | 2      | 33       | 503 0040 | Adjuster Sleeve     | 2        | 2      |
| 6        | 501 0018 | Mobile Flange       | 2        | 2      | 34       | 503 0033 | R.H. Spring         | 1        | 1      |
| 7        | 387 2019 | Nut                 | 18       | 18     | 34       | 503 0034 | L.H. Spring         | 1        | 1      |
| 8        | 320 1102 | Machine Screw       | 18       | 18     | 35       | 503 0016 | Retainer Washer     | 2        | 2      |
| 9        | 581 1017 | Seal (W/Spring)     | 2        | 2      | 36       | 300 1048 | Bolt                | 2        | 2      |
| 10       | 414 0153 | Spring (For Seal)   | 2        | 2      | 37       | 386 6022 | Nut                 | 2        | 2      |
| 11       | 405 4002 | Bearing             | 2        | 2      | 38       | 503 0008 | R.H. Bracket        | 1        | 1      |
| 12       | 502 0002 | Wheel Support       | 6        | 6      | 38       | 503 0012 | L.H. Bracket        | 1        | 1      |
| 13       | 502 0011 | Cap                 | 12       | 12     | 39       | 309 8004 | Bolt                | 2        | 2      |
| 14       | 502 0015 | Inner Flange        | 12       | 12     | 40       | 503 0027 | Adjuster Eye Bolt   | 2        | 2      |
| 15       | 405 4002 | Bearing             | 12       | 12     | 41       | 300 0041 | Bolt                | 2        | 2      |
| 16       | 570 0205 | Tire                | 12       | 12     | 42       | 399 9007 | Flat Washer         | 2        | 2      |
| 17       | 502 0016 | Outer Flange        | 12       | 12     | 43       | 386 7001 | Nut                 | 4        | 4      |
| 18       | 387 3013 | Nut                 | 72       | 72     | 44       | 581 0006 | Rear Hub Assembly   | 1        | 1      |
| 19       | 320 1062 | Machine Screw       | 72       | 72     | 45       | 581 0112 | R.H. Link Plate     | 1        | 1      |
| 20       | 408 2001 | Grease Fitting      | 14       | 14     |          |          | Assembly            |          |        |
| 21       | 502 0008 | Cross Shaft         | 3        | 3      | 45       | 581 0113 | L.H. Link Plate     | 1        | 1      |
| 22       | 502 0010 | Spring              | 6        | 6      |          |          | Assembly            |          |        |
| 23       | 399 8001 | Tooth Lock Washer   | 6        | 6      | 46       | 580 1065 | Suspension Assembly | 1        | 1      |
| 24       | 300 8043 | Bolt                | 6        | 6      | 47       | 580 0204 | Wheel Assembly      | 3        | 3      |
| 25       | 503 0002 | Rear Hub            | 1        | 1      | 48       | 580 1026 | Drive Axle Assembly | 1        | 1      |
| 26       | 570 0101 | Sprocket            | 2        | 2      | 49       | 501 0007 | End Bearing Housing | 1        | 1      |
| 27       | 501 0018 | Mobile Flange       | 2        | 2      | 50       | 392 0019 | Lock Washer         | 3        | 3      |
| 28       | 320 1062 | Machine Screw       | 18       | 18     | 51       | 300 0000 | Bolt                | 3        | 3      |
| 29       | 387 3013 | Nut                 | 18       | 18     | 52       | 503 0051 | Cap                 | 2        | 2      |





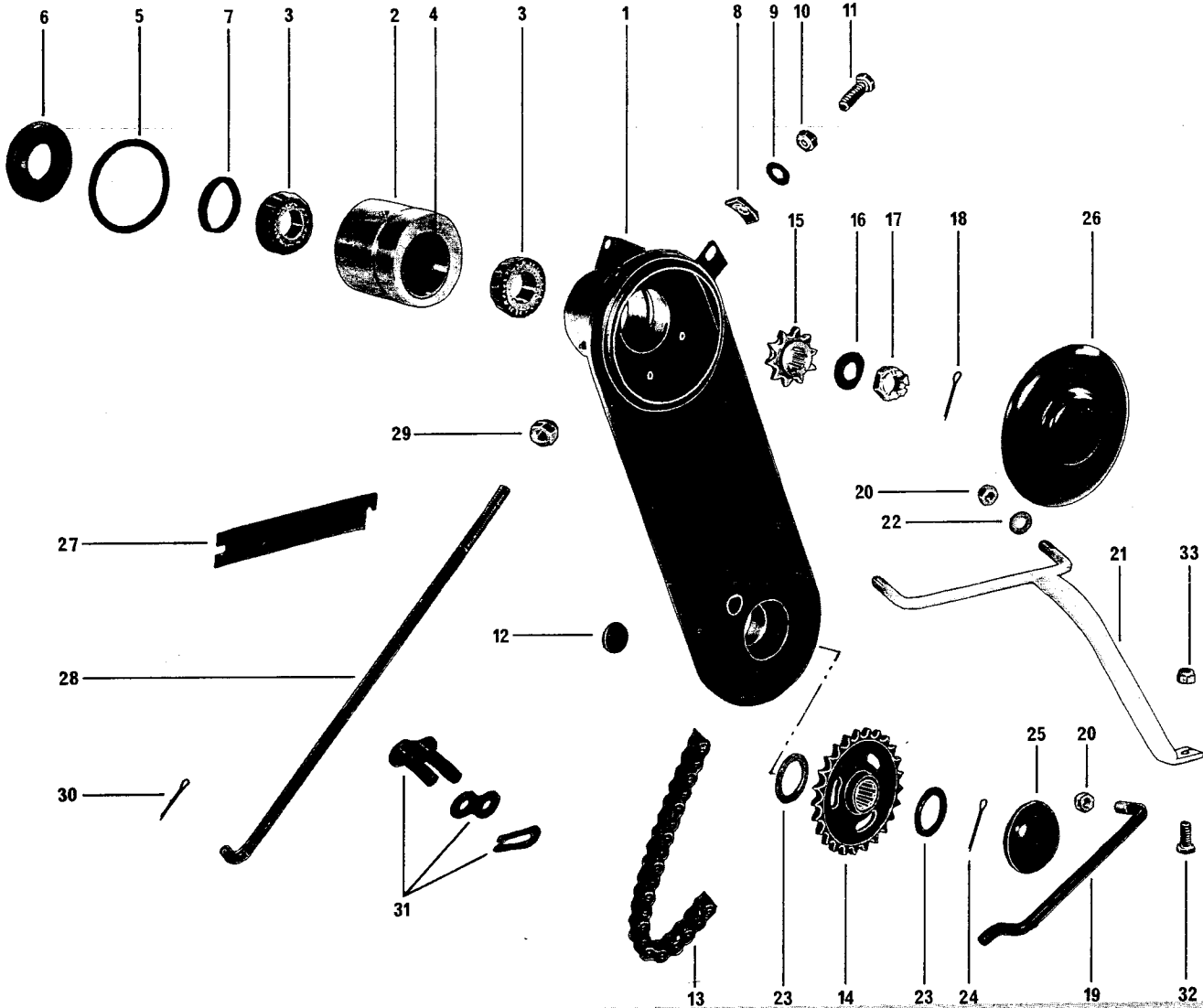
| ITEM NO. | PART NO. | DESCRIPTION          | QUANTITY |         | ITEM NO. | PART NO. | DESCRIPTION            | QUANTITY |         |
|----------|----------|----------------------|----------|---------|----------|----------|------------------------|----------|---------|
|          |          |                      | 399 TNT  | 669 TNT |          |          |                        | 399 TNT  | 669 TNT |
| 1        | 570 0002 | Track Assembly       | 1        |         | 27       | 502 0008 | Cross Shaft            | 3        |         |
| 1        | 570 0004 | Track Assembly       |          | 1       | 27       | 502 0014 | Cross Shaft            |          | 3       |
| 2        | 570 0003 | Track Insert         | —        | —       | 28       | 399 8001 | Tooth Lock Washer      | 6        | 6       |
| 3        | 529 0003 | Insert Block (Tool)  | —        | —       | 29       | 300 8043 | Bolt                   | 6        | 6       |
| 4        | 501 0016 | Drive Axle w/idler   | 1        |         | 30       | 503 0039 | Rear Hub w/idler       | 1        |         |
| 4        | 501 0020 | Drive Axle w/idler   |          | 1       | 30       | 503 0045 | Rear Hub w/idler       |          | 1       |
| 5        | 414 0001 | Sprocket             | 2        | 2       | 31       | 414 0327 | Sprocket               | 2        | 2       |
| 6        | 501 0018 | Mobile Flange        | 4        | 4       | 32       | 570 0301 | Seal                   | 2        | 2       |
| 7        | 387 2019 | Nut                  | 36       | 36      | 33       | 405 4002 | Bearing                | 2        | 2       |
| 8        | 320 1102 | Machine Screw        | 36       | 36      | 34       | 503 0035 | R.H. Link Plate        | 1        | 1       |
| 9        | 581 1017 | Seal (w/spring)      | 2        | 2       | 34       | 503 0036 | L.H. Link Plate        | 1        | 1       |
| 10       | 414 0153 | Spring (For Seal)    | 2        | 2       | 35       | 503 0028 | Adjuster Eye Bolt      | 2        | 2       |
| 11       | 405 4002 | Bearing              | 2        | 2       | 36       | 309 8027 | Bolt                   | 2        | 2       |
| 12       | 501 0007 | End Bearing Housing  | 1        | 1       | 37       | 391 0023 | Flat Washer            | 2        | 2       |
| 13       | 300 0000 | Bolt                 | 3        | 3       | 38       | 503 0044 | Hardened Washer        | 2        | 2       |
| 14       | 414 0303 | Idler                | 2        | 2       | 39       | 503 0040 | Adjuster Sleeve        | 2        | 2       |
| 15       | 392 0019 | Lock Washer          | 3        | 3       | 40       | 503 0033 | R.H. Spring            | 1        | 1       |
| 16       | 501 0015 | Drive Axle Spacer    | 1        |         | 40       | 503 0034 | L.H. Spring            | 1        | 1       |
| 16       | 501 0021 | Drive Axle Spacer    |          | 1       | 41       | 503 0016 | Retainer Washer        | 2        | 2       |
| 17       | 502 0002 | Wheel Support        | 6        |         | 42       | 386 6022 | Nut                    | 4        | 4       |
| 17       | 502 0021 | Wheel Support        |          | 6       | 43       | 580 0202 | Drive Axle Assembly    | 1        |         |
| 18       | 502 0011 | Cap                  | 12       | 12      | 43       | 580 0213 | Drive Axle Assembly    |          | 1       |
| 19       | 502 0015 | Inner Flange         | 12       | 12      | 44       | 580 0204 | Wheel Assembly (Front) | 2        |         |
| 20       | 405 4002 | Bearing              | 12       | 12      | 44       | 580 0205 | Wheel Assembly (Rear)  | 1        |         |
| 21       | 570 0205 | Tire                 | 12       |         | 44       | 580 0216 | Wheel Assembly (Front) |          | 2       |
| 21       | 570 0206 | Tire                 |          | 12      | 44       | 580 0217 | Wheel Assembly (Rear)  |          | 1       |
| 22       | 502 0016 | Outer Flange         | 12       | 12      | 45       | 580 0207 | Suspension Assembly    | 1        |         |
| 23       | 387 3013 | Nut                  | 90       | 90      | 45       | 580 0218 | Suspension Assembly    |          | 1       |
| 24       | 320 1062 | Machine Screw        | 90       | 90      | 46       | 581 0201 | Rear Hub Assembly      | 1        |         |
| 25       | 408 2001 | Grease Fitting       | 14       | 14      | 46       | 581 0208 | Rear Hub Assembly      |          | 1       |
| 26       | 502 0010 | Spring (Front 1/4 Ø) | 4        | 4       | 47       | 503 0049 | Cap                    | 2        | 2       |
| 26       | 502 0020 | Spring (Rear 9/32 Ø) | 2        | 2       |          |          |                        |          |         |



CHAIN CASE

TRANSMISSION

CHAIN CASE

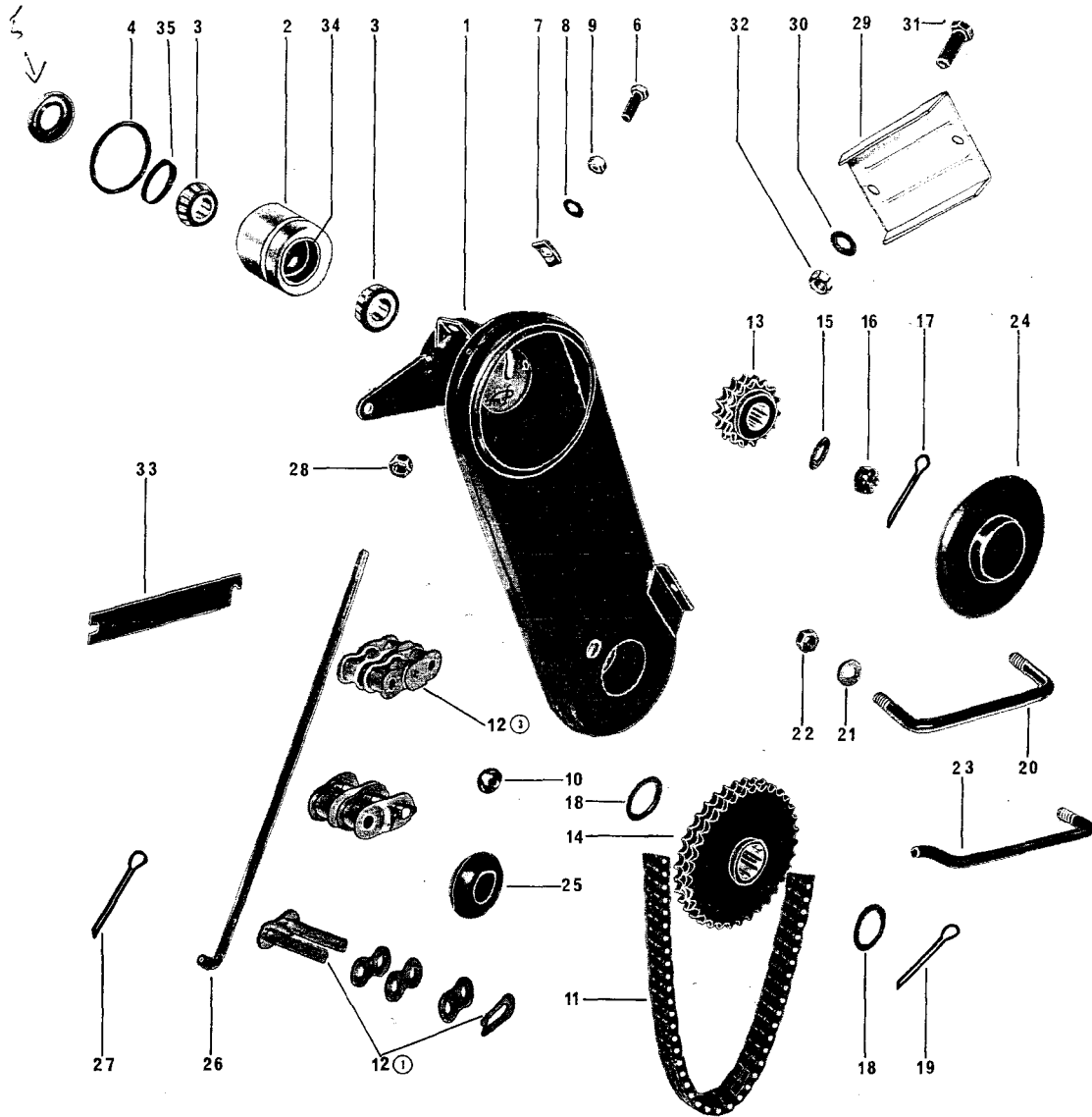


| ITEM NO. | PART NO. | DESCRIPTION       | QUANTITY |     |     | ITEM NO. | PART NO. | DESCRIPTION                | QUANTITY |     |     |
|----------|----------|-------------------|----------|-----|-----|----------|----------|----------------------------|----------|-----|-----|
|          |          |                   | 12/3     | 320 | 399 |          |          |                            | 12/3     | 320 | 399 |
|          |          |                   | SS       | SS  | TNT |          |          |                            | SS       | SS  | TNT |
| 1        | 504 0034 | Chain Case        | 1        |     |     | 16       | 504 0015 | Shaft Washer               | 1        | 1   | 1   |
| 1        | 504 0040 | Chain Case        |          | 1   |     | 17       | 381 2028 | Nut                        | 1        | 1   | 1   |
| 1        | 504 0049 | Chain Case        |          |     | 1   | 18       | 371 0011 | Cotter Pin                 | 1        | 1   | 1   |
| 2        | 504 0053 | Tensioner w/cup   | 1        | 1   | 1   | 19       | 504 0019 | "U" Clamp                  | 1        | 1   |     |
| 3        | 405 0001 | Bearing Cone      | 2        | 2   | 2   | 19       | 504 0048 | "U" Clamp                  |          |     | 1   |
| 4        | 405 0002 | Bearing Cup       | 2        | 2   | 2   | 20       | 386 6022 | Nut                        | 3        | 3   | 3   |
| 5        | 406 0001 | "O" Ring          | 1        | 1   | 1   | 21       | 504 0018 | L.H. Footrest              | 1        | 1   |     |
| 6        | 406 3001 | Oil Seal          | 1        | 1   | 1   | 21       | 504 0047 | "U" Clamp                  |          |     | 1   |
| 7        | 504 0046 | Oil Retainer Ring | 1        | 1   | 1   | 22       | 391 0023 | Flat Washer                | 2        | 2   | 2   |
| 8        | 414 0185 | Segment           | 1        | 1   | 1   | 23       | 504 0039 | Spacer                     | 2        | 2   | 2   |
| 9        | 391 0025 | Flat Washer       | 1        | 1   | 1   | 24       | 371 0033 | Cotter Pin                 | 1        | 1   | 1   |
| 10       | 380 9024 | Nut               | 1        | 1   | 1   | 25       | 570 0413 | Access Plug                | 1        | 1   | 1   |
| 11       | 301 2084 | Bolt              | 1        | 1   | 1   | 26       | 570 0403 | Inspection Cover           | 1        | 1   | 1   |
| 12       | 570 0406 | Plug              | 1        | 1   | 1   | 27       | 504 0020 | Shim                       |          |     |     |
| 13       | 412 1003 | Driving Chain     | 1        |     |     | 28       | 504 0050 | Hinge Rod                  |          | 1   | 1   |
| 13       | 412 1006 | Driving Chain     |          | 1   |     | 29       | 386 6022 | Nut                        |          | 1   | 1   |
| 13       | 412 1007 | Driving Chain     |          |     | 1   | 30       | 371 0031 | Cotter Pin                 |          | 1   | 1   |
| 14       | 504 0013 | Sprocket 25 teeth | 1        | 1   |     | 31       | 412 6002 | Driving Chain (repair kit) |          |     |     |
| 14       | 504 0045 | Sprocket 34 teeth |          |     | 1   |          |          |                            |          |     |     |
| 15       | 504 0008 | Sprocket 10 teeth | 1        |     |     | 32       | 300 0001 | Bolt                       | 1        | 1   |     |
| 15       | 504 0009 | Sprocket 11 teeth |          | 1   |     | 33       | 386 6019 | Nut                        | 1        | 1   |     |
| 15       | 504 0061 | Sprocket 16 teeth |          |     | 1   |          |          |                            |          |     |     |

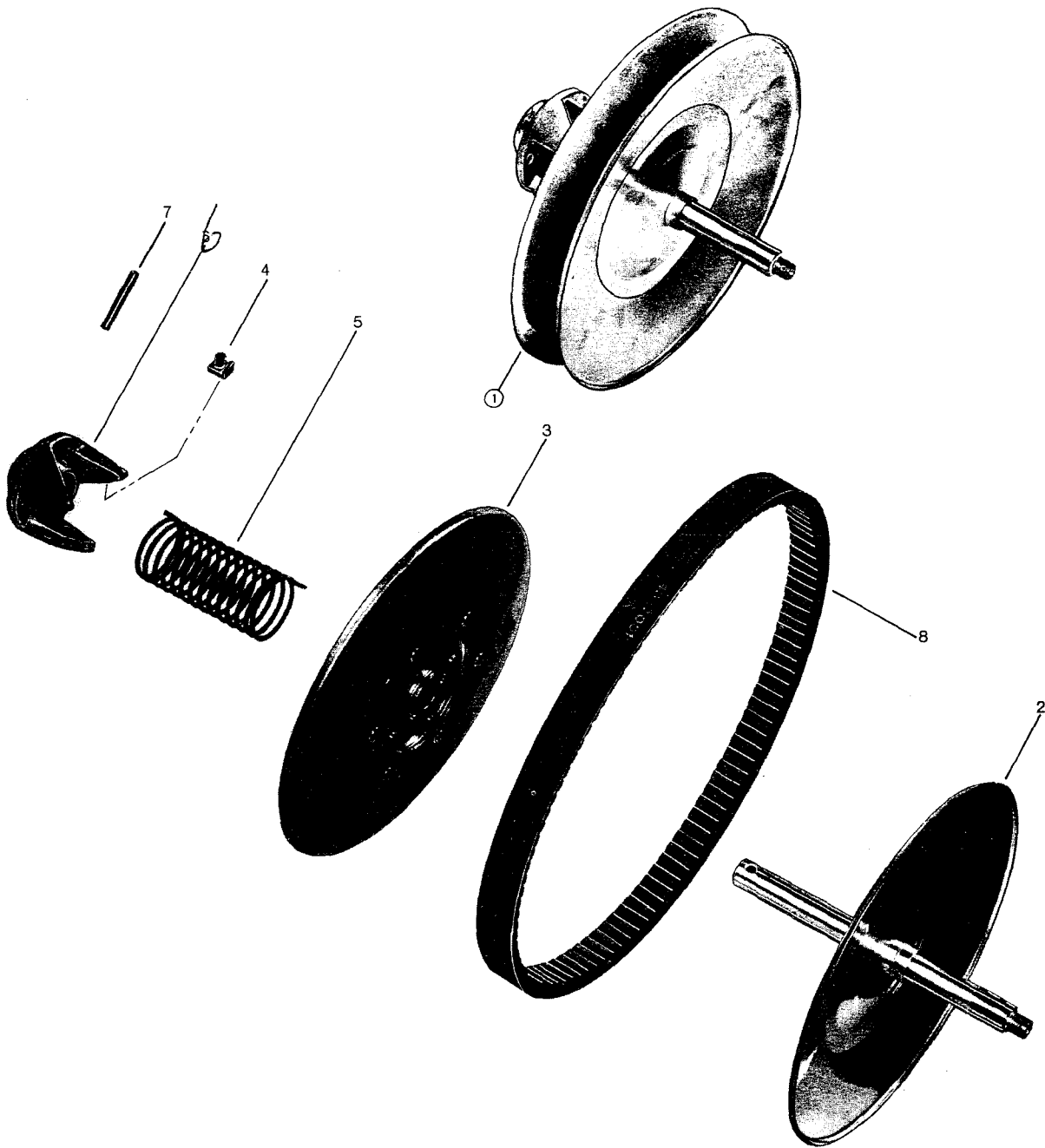
CHAIN CASE

TRANSMISSION

CHAIN CASE



| ITEM NO. | PART NO. | DESCRIPTION                | QUANTITY 669 TNT | ITEM NO. | PART NO. | DESCRIPTION       | QUANTITY 669 TNT |
|----------|----------|----------------------------|------------------|----------|----------|-------------------|------------------|
| 1        | 504 0056 | Chain case                 | 1                | 18       | 504 0039 | Spacer            | 2                |
| 2        | 504 0057 | Tensioner W/Cup            | 1                | 19       | 371 0033 | Cotter pin        | 1                |
| 3        | 405 0004 | Bearing cone               | 2                | 20       | 504 2038 | "U" clamp         | 1                |
| 4        | 406 0003 | "O" ring                   | 1                | 21       | 391 0023 | Flat washer       | 2                |
| 5        | 406 3002 | Oil seal                   | 1                | 22       | 386 6022 | Nut               | 3                |
| 6        | 301 2084 | Bolt                       | 1                | 23       | 504 2037 | "U" clamp         | 1                |
| 7        | 414 0185 | Segment                    | 1                | 24       | 570 0403 | Inspection cover  | 1                |
| 8        | 391 0025 | Flat washer                | 1                | 25       | 570 0413 | Access plug       | 1                |
| 9        | 380 9024 | Nut                        | 1                | 26       | 507 0045 | Hinge rod         | 1                |
| 10       | 570 0406 | Plug                       | 1                | 27       | 371 0011 | Cotter pin        | 1                |
| 11       | 412 1010 | Driving chain              | 1                | 28       | 386 6022 | Nut               | 1                |
| 12       | 412 6007 | Connecting link single (1) | —                | 29       | 517 0166 | L.H. Footrest     | 1                |
| 12       | 412 6009 | Cranked link double (2)    | —                | 30       | 391 0021 | Flat washer       | 2                |
| 12       | 412 6008 | Cranked link single (3)    | —                | 31       | 300 1001 | Bolt              | 2                |
| 13       | 504 0059 | Sprocket (22 teeth D.)     | 1                | 32       | 386 6019 | Nut               | 2                |
| 14       | 504 0045 | Sprocket (34 teeth D.)     | 1                | 33       | 504 0020 | Shim              | —                |
| 15       | 417 0009 | Spring washer              | 1                | 34       | 405 0003 | Bearing cup       | 2                |
| 16       | 389 8024 | Nut                        | 1                | 35       | 504 0058 | Oil retainer ring | 1                |
| 17       | 371 0032 | Cotter pin.                | 1                |          |          |                   |                  |

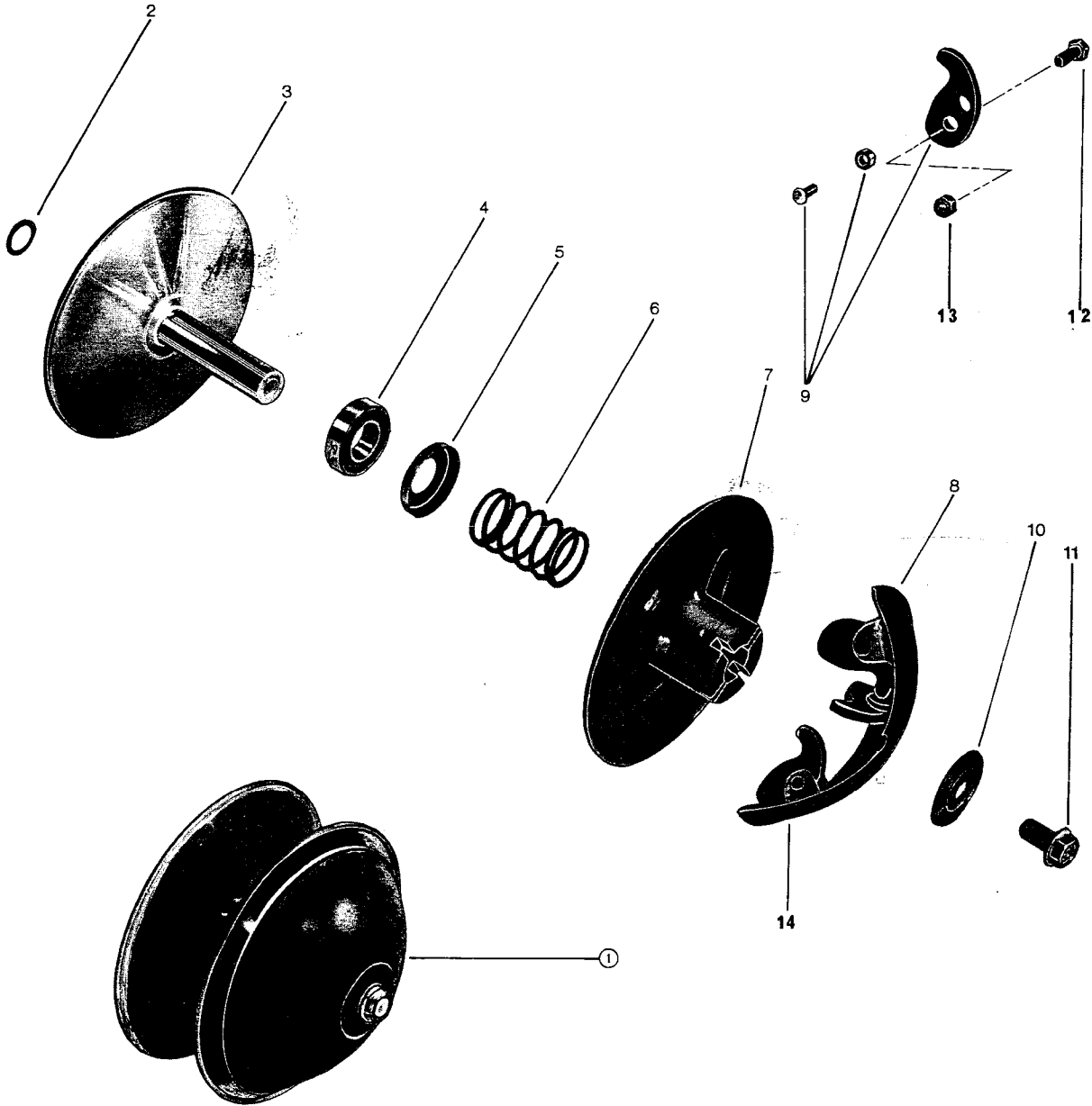


| ITEM NO. | PART NO. | DESCRIPTION            | QUANTITY |     |     |     | ITEM NO. | PART NO. | DESCRIPTION | QUANTITY |     |     |     |
|----------|----------|------------------------|----------|-----|-----|-----|----------|----------|-------------|----------|-----|-----|-----|
|          |          |                        | 12/3     | 320 | 399 | 699 |          |          |             | 12/3     | 320 | 399 | 669 |
| 1        | 581 1009 | Driven Pulley Assembly | 1        |     |     |     | 5        | 414 0125 | Spring      | 1        | 1   | 1   |     |
| 1        | 581 1022 | Driven Pulley Assembly |          | 1   | 1   |     | 5        | 414 0138 | Spring      |          |     |     | 1   |
| 1        | 581 0207 | Driven Pulley Assembly |          |     |     | 1   | 6        | 560 4001 | Outer Cam   | 1        | 1   | 1   |     |
| 2        | 504 1028 | Fixed Pulley Half      | 1        |     |     |     | 6        | 504 1035 | Outer Cam   |          |     |     | 1   |
| 2        | 504 1037 | Fixed Pulley Half      |          | 1   | 1   |     | 7        | 372 1123 | Roll Pin    | 1        | 1   | 1   |     |
| 2        | 504 1046 | Fixed Pulley Half      |          |     |     | 1   | 7        | 372 1124 | Roll Pin    |          |     |     | 1   |
| 3        | 504 1029 | Sliding Pulley         | 1        | 1   | 1   |     | 8        | 570 0411 | Drive Belt  | 1        | 1   | 1   |     |
| 3        | 504 1030 | Sliding Pulley         |          |     |     | 1   | 8        | 570 0414 | Drive Belt  |          |     |     | 1   |
| 4        | 414 0126 | Cam Slider Shoe        | 3        | 3   | 3   | 3   |          |          |             |          |     |     |     |

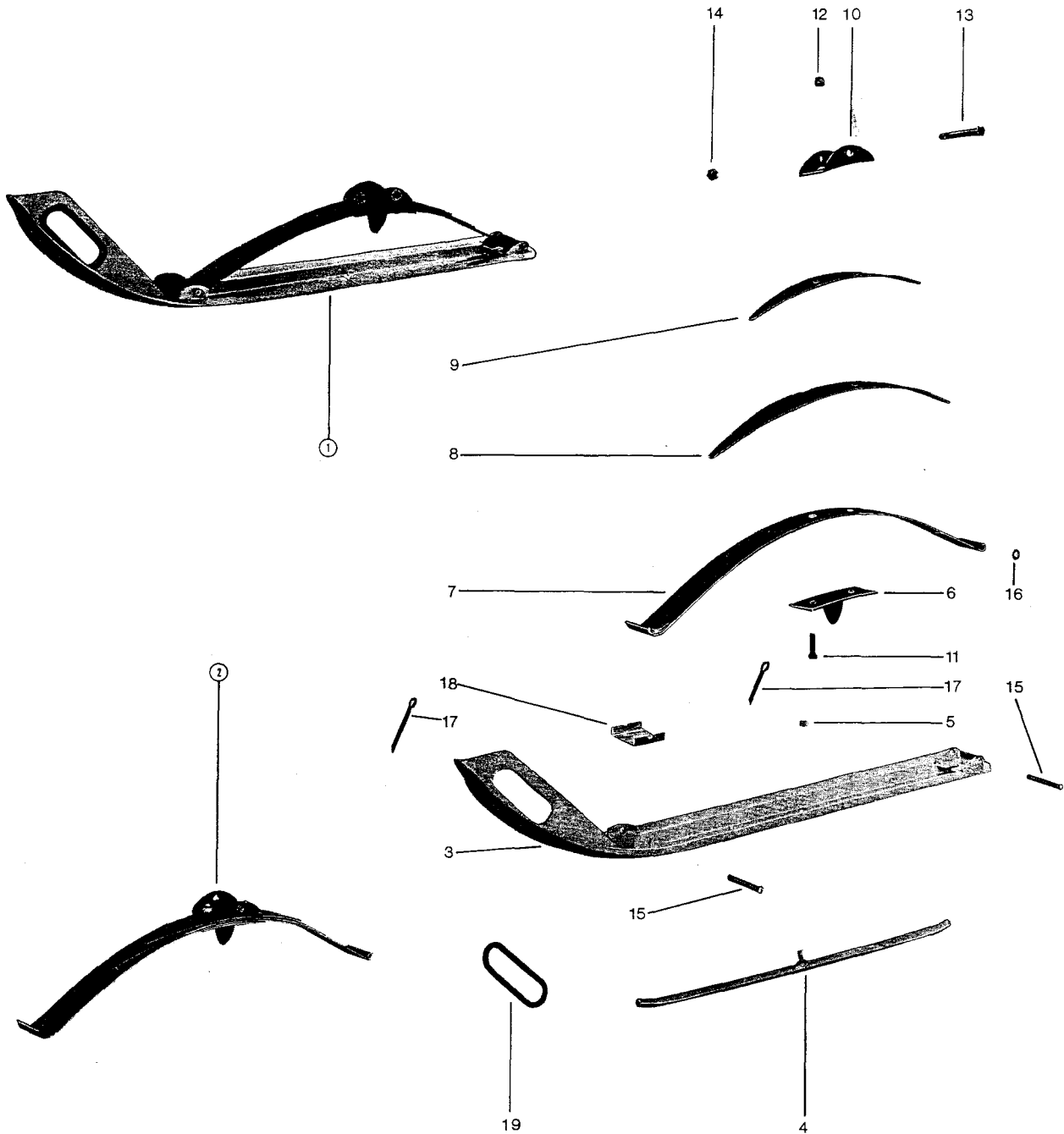
DRIVE PULLEY

TRANSMISSION

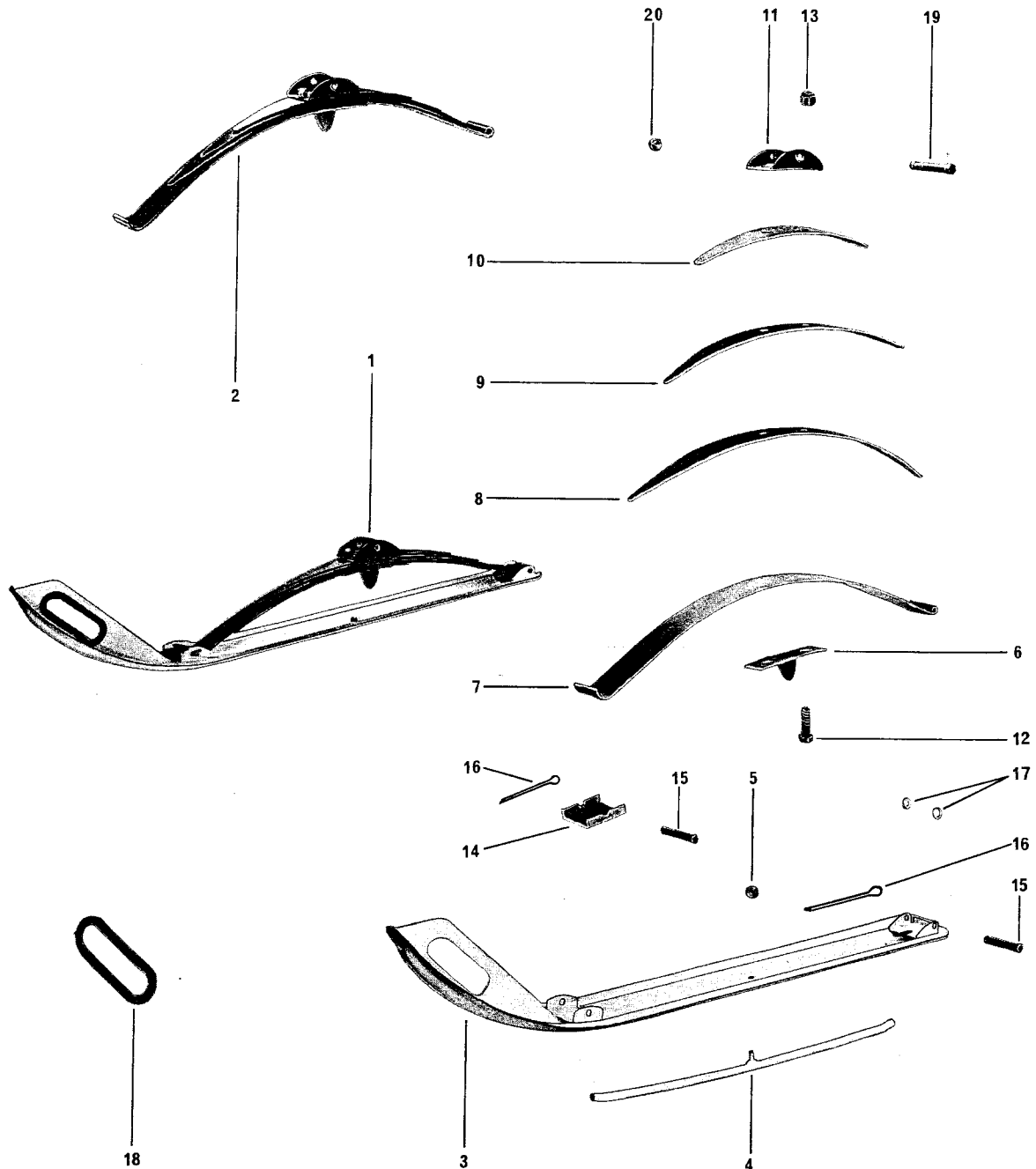
POULIE DE COMMANDE



| ITEM NO. | PART NO. | DESCRIPTION           | QUANTITY |     |     |     | ITEM NO. | PART NO. | DESCRIPTION                   | QUANTITY |     |     |     |
|----------|----------|-----------------------|----------|-----|-----|-----|----------|----------|-------------------------------|----------|-----|-----|-----|
|          |          |                       | 12/3     | 320 | 399 | 669 |          |          |                               | 12/3     | 320 | 399 | 669 |
|          |          |                       | SS       | SS  | INT | TNT |          |          | SS                            | SS       | INT | TNT |     |
| 1        | 581 1008 | Drive Pulley Assembly | 1        |     | 1   |     | 7        | 504 2033 | Outer Half                    |          |     |     | 1   |
| 1        | 581 1043 | Drive Pulley Assembly |          | 1   |     |     | 8        | 504 2022 | Cent. Governor                | 1        | 1   | 1   |     |
| 1        | 581 3012 | Drive Pulley Assembly |          |     |     | 1   | 8        | 582 1018 | Cent. Governor Assembly       |          |     |     | 1   |
| 2        | 504 1009 | Shim (.024")          | -        | -   | -   | -   | 9        | 504 2040 | Pressure Lever Kit (3/8 hole) |          |     |     | -   |
| 2        | 504 1010 | Shim (.048")          | -        | -   | -   | -   | 9        | 504 2024 | Pressure Lever Kit            | -        | -   | -   |     |
| 3        | 504 2008 | Inner Half            | 1        |     | 1   | 1   | 10       | 504 2026 | Washer                        | 1        | 1   | 1   | 1   |
| 3        | 504 2039 | Inner Half            |          | 1   |     |     | 11       | 309 8010 | Bolt                          | 1        | 1   | 1   | 1   |
| 4        | 405 4005 | Bearing               | 1        | 1   | 1   | 1   | 12       | 300 0081 | Bolt                          | 1        | 1   | 1   | 1   |
| 5        | 504 2013 | Spring Seat           | 1        | 1   | 1   | 1   | 13       | 386 6024 | Nut                           |          |     |     | 4   |
| 6        | 414 0013 | Spring                | 1        | 1   | 1   | 1   | 14       | 504 2034 | Cent. Governor                |          |     |     | 4   |
| 7        | 504 2017 | Outer Half            | 1        | 1   | 1   |     |          |          |                               |          |     |     | 1   |



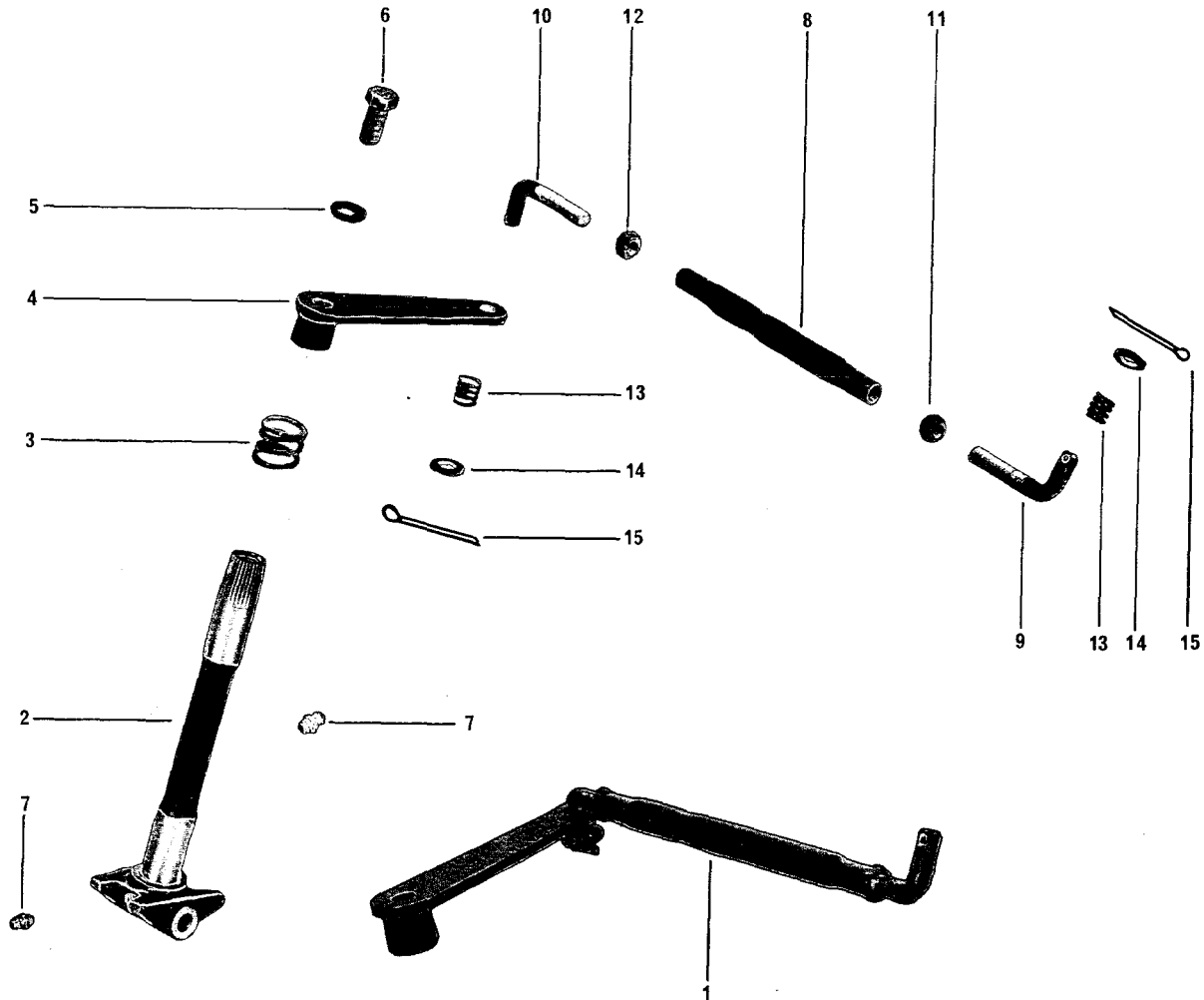
| ITEM NO. | PART NO. | DESCRIPTION               | QUANTITY |     | ITEM NO. | PART NO. | DESCRIPTION           | QUANTITY |     |
|----------|----------|---------------------------|----------|-----|----------|----------|-----------------------|----------|-----|
|          |          |                           | 12/3     | 320 |          |          |                       | 12/3     | 320 |
|          |          |                           | SS       | SS  |          |          |                       | SS       | SS  |
| 1        | 581 1026 | Ski Assembly R.H.         | 1        | 1   | 9        | 505 0015 | Auxiliary Leaf Spring | 2        | 2   |
| 1        | 581 1027 | Ski Assembly L.H.         | 1        | 1   | 10       | 505 0037 | Spring Coupler        | 2        | 2   |
| 2        | 582 1013 | Leaf Spring Assembly R.H. | 1        | 1   | 11       | 300 8084 | Bolt                  | 4        | 4   |
| 2        | 582 1014 | Leaf Spring Assembly L.H. | 1        | 1   | 12       | 386 6024 | Nut                   | 4        | 4   |
| 3        | 505 0032 | Ski Runner                | 2        | 2   | 13       | 309 8007 | Bolt                  | 2        | 2   |
| 4        | 505 0002 | Runner Shoe               | 2        | 2   | 14       | 386 6024 | Nut                   | 2        | 2   |
| 5        | 387 2022 | Nut                       | 2        | 2   | 15       | 505 0034 | Retainer Pin          | 4        | 4   |
| 6        | 570 0502 | Rebound Leaf Spring       | 2        | 2   | 16       | 505 0035 | Flat Washer           | 4        | 4   |
| 7        | 505 0016 | Main Leaf Spring          | 2        | 2   | 17       | 371 0011 | Cotter Pin            | 4        | 4   |
| 8        | 505 0013 | Auxiliary Leaf Spring     | 2        | 2   | 18       | 505 0033 | Spring Slided Cushion | 2        | 2   |
|          |          |                           |          |     | 19       | 570 0503 | Inside Protector      | 2        | 2   |



| ITEM NO. | PART NO. | DESCRIPTION               | QUANTITY |     | ITEM NO. | PART NO. | DESCRIPTION           | QUANTITY |     |
|----------|----------|---------------------------|----------|-----|----------|----------|-----------------------|----------|-----|
|          |          |                           | 399      | 669 |          |          |                       | 399      | 669 |
|          |          |                           | TNT      | TNT |          |          |                       | TNT      | TNT |
| 1        | 581 0106 | Ski Assembly R.H.         | 1        | 1   | 9        | 505 0013 | Auxiliary Leaf Spring | 2        | 2   |
| 1        | 581 0107 | Ski Assembly L.H.         | 1        | 1   | 10       | 505 0015 | Auxiliary Leaf Spring | 2        | 2   |
| 2        | 582 0101 | Leaf Spring Assembly R.H. | 1        | 1   | 11       | 505 0045 | Spring Coupler        | 2        | 2   |
| 2        | 582 0102 | Leaf Spring Assembly L.H. | 1        | 1   | 12       | 300 8085 | Bolt                  | 4        | 4   |
| 3        | 505 0032 | Ski Runner                | 2        | 2   | 13       | 386 6024 | Nut                   | 4        | 4   |
| 4        | 505 0002 | Runner Shoe               | 2        | 2   | 14       | 505 0033 | Spring Slider         | 2        | 2   |
| 5        | 387 2022 | Nut                       | 2        | 2   | 15       | 505 0034 | Retainer Pin          | 4        | 4   |
| 6        | 570 0502 | Rebound Leaf Spring       | 2        | 2   | 16       | 371 0011 | Cotter Pin            | 4        | 4   |
| 7        | 505 0018 | Main Leaf Spring          | 2        | 2   | 17       | 505 0035 | Washer                | 4        | 4   |
| 8        | 505 0014 | Auxiliary Spring          | 2        | 2   | 18       | 570 0503 | Inside Protector      | 2        | 2   |
|          |          |                           |          |     | 19       | 309 8007 | Bolt                  | 2        | 2   |
|          |          |                           |          |     | 20       | 386 6024 | Nut                   | 2        | 2   |

STEERING Tie Rod

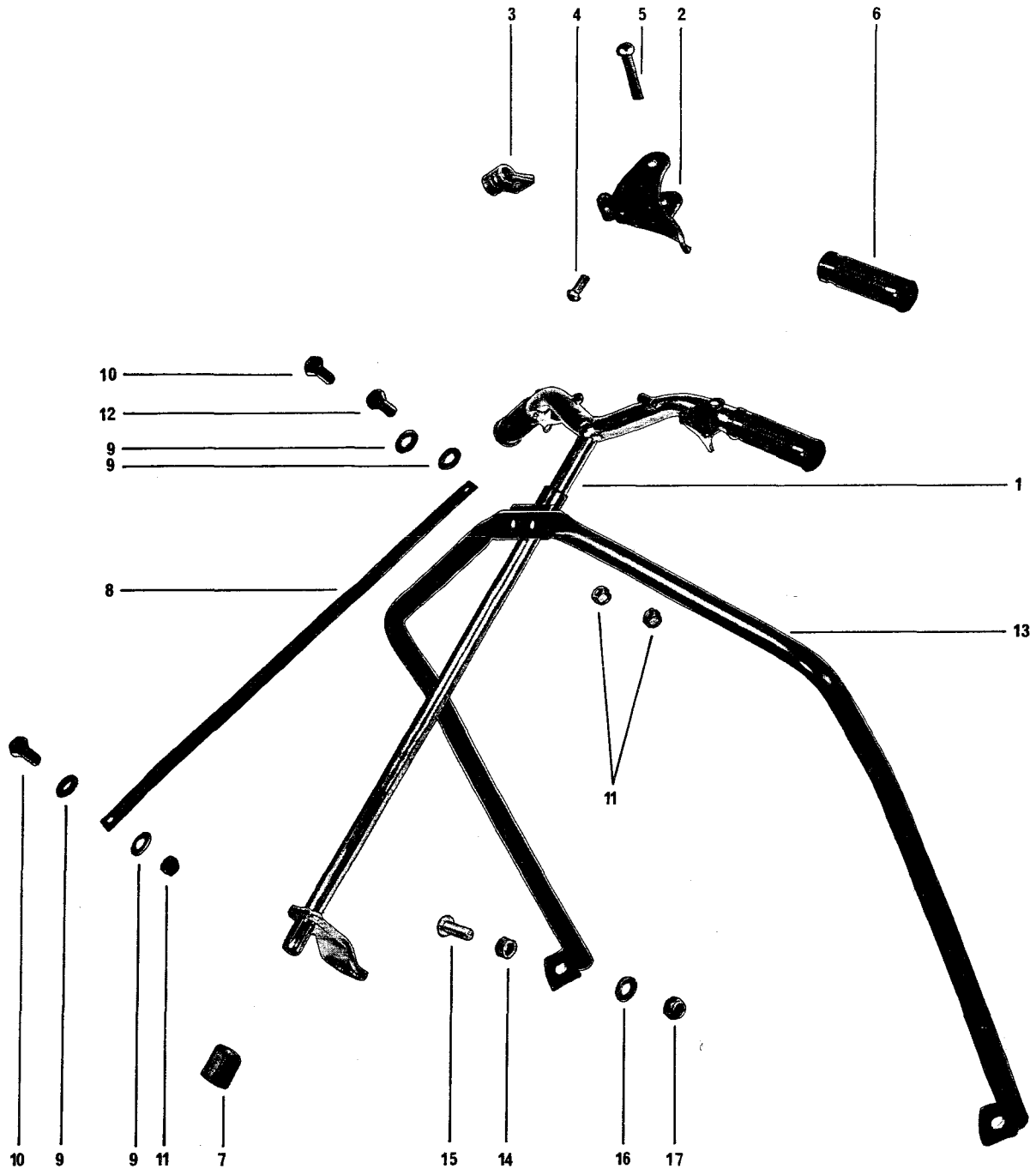
Barre d'Acouplement CONDUITE



| ITEM NO. | PART NO. | DESCRIPTION        | QUANTITY |     |     |     | ITEM NO. | PART NO. | DESCRIPTION | QUANTITY |     |     |     |
|----------|----------|--------------------|----------|-----|-----|-----|----------|----------|-------------|----------|-----|-----|-----|
|          |          |                    | 12/3     | 320 | 399 | 669 |          |          |             | 12/3     | 320 | 399 | 669 |
|          |          |                    | SS       | SS  | INT | INT |          |          | SS          | SS       | INT | TNT |     |
| 1        | 580 1047 | Tie rod ass'y.     | 2        | 2   | 2   |     | 7        | 408 2001 | 4           | 4        | 4   | 4   |     |
| 1        | 580 0106 | Tie rod ass'y.     |          |     |     | 2   | 8        | 506 0043 | 2           | 2        | 2   |     |     |
| 2        | 506 0060 | Ski leg L.H.       | 1        | 1   | 1   |     | 8        | 506 0058 |             |          |     | 2   |     |
| 2        | 506 0066 | Ski leg R.H.       | 1        | 1   | 1   |     | 9        | 506 0044 | 2           | 2        | 2   | 2   |     |
| 2        | 506 0076 | Ski leg L.H.       |          |     |     | 1   | 10       | 506 0017 | 2           | 2        | 2   | 2   |     |
| 2        | 506 0078 | Ski leg R.H.       |          |     |     | 1   | 11       | 389 8016 | 2           | 2        | 2   | 2   |     |
| 3        | 414 0127 | Spring             | 2        | 2   | 2   | 2   | 12       | 389 8015 | 2           | 2        | 2   | 2   |     |
| 4        | 506 0014 | Steering arm plate | 2        | 2   | 2   | 2   | 13       | 414 0364 | 4           | 4        | 4   | 4   |     |
| 5        | 392 0026 | Lock washer        | 2        | 2   | 2   | 2   | 14       | 391 0025 | 4           | 4        | 4   | 4   |     |
| 6        | 300 8123 | Bolt               | 2        | 2   | 2   | 2   | 15       | 371 0031 | 4           | 4        | 4   | 4   |     |

STEERING Handle Bar

Barre de Conduite CONDUITE

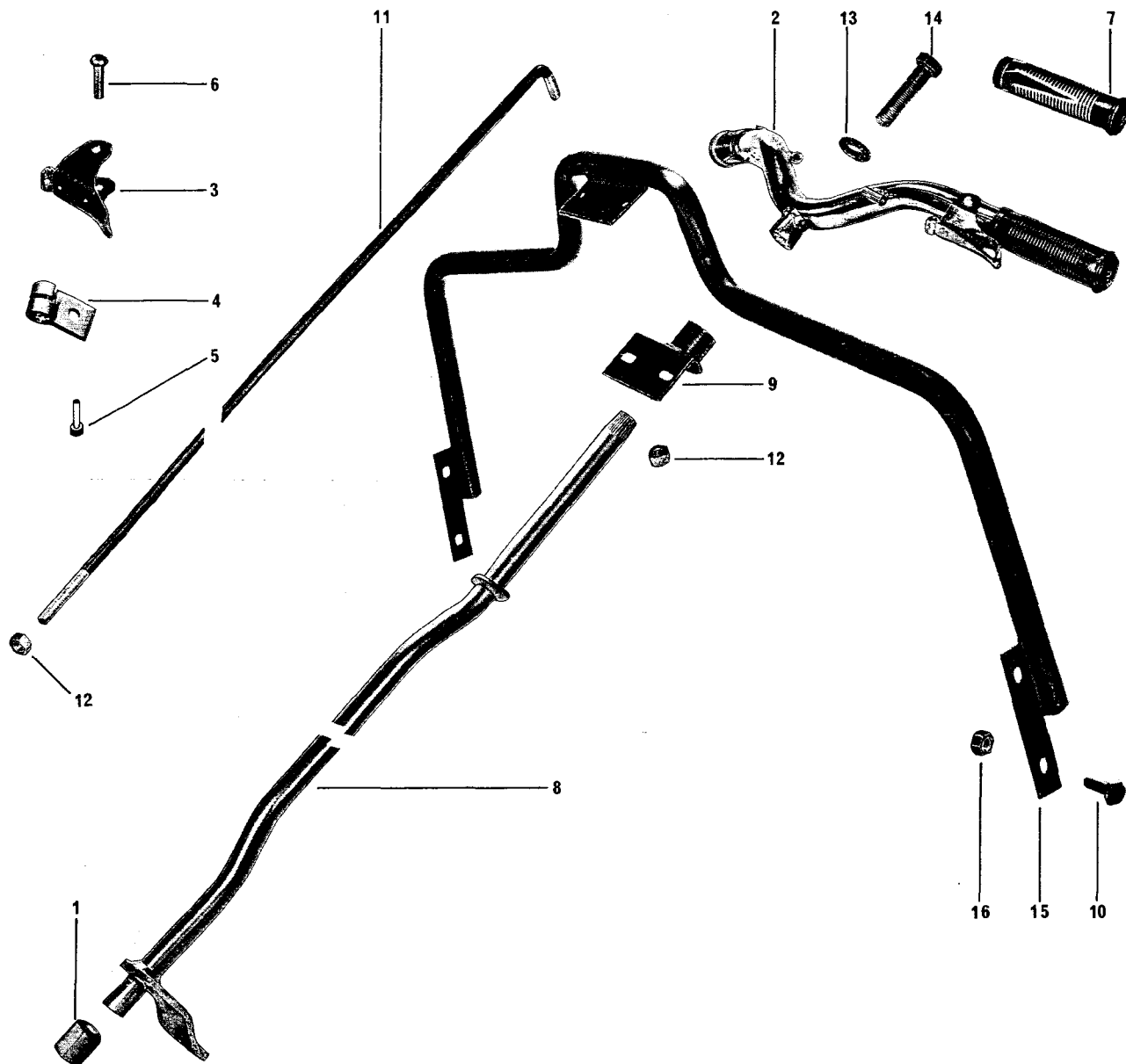


| ITEM NO. | PART NO. | DESCRIPTION                     | QUANTITY |     |     | ITEM NO. | PART NO. | DESCRIPTION   | QUANTITY |     |     |
|----------|----------|---------------------------------|----------|-----|-----|----------|----------|---------------|----------|-----|-----|
|          |          |                                 | 12/3     | 320 | 399 |          |          |               | 12/3     | 320 | 399 |
|          |          |                                 | SS       | SS  | TNT |          |          |               | SS       | SS  | TNT |
| 1        | 580 1048 | Handle bar ass'y.               | 1        | 1   | 1   | 10       | 300 0001 | Bolt          | 2        | 2   | 2   |
| 2        | 581 1036 | Control handle<br>W/Slug ass'y. | 2        | 2   | 2   | 11       | 386 6019 | Nut           | 3        | 3   | 3   |
| 3        | 506 0073 | Cable slug retainer             | 2        | 2   | 2   | 12       | 300 0003 | Bolt          | 1        | 1   | 1   |
| 4        | 390 5001 | Rivet (for slug)                | 2        | 2   | 2   | 13       | 506 0067 | Upper column  | 1        | 1   |     |
| 5        | 390 9001 | Rivet                           | 2        | 2   | 2   | 13       | 506 0086 | Upper column  |          |     | 1   |
| 6        | 414 0002 | Grip                            | 2        | 2   | 2   | 14       | 517 0088 | Spacer        | 2        | 2   | 2   |
| 7        | 570 0601 | Steering bushing                | 1        | 1   | 1   | 15       | 321 7133 | Machine screw | 2        |     |     |
| 8        | 506 0069 | Brace strip                     | 1        | 1   | 1   | 16       | 391 0023 | Flat washer   | 2        | 2   | 2   |
| 9        | 391 0021 | Flat washer                     | 4        | 4   | 4   | 17       | 386 9001 | Nut           | 2        | 2   | 2   |



STEERING HANDLE BAR

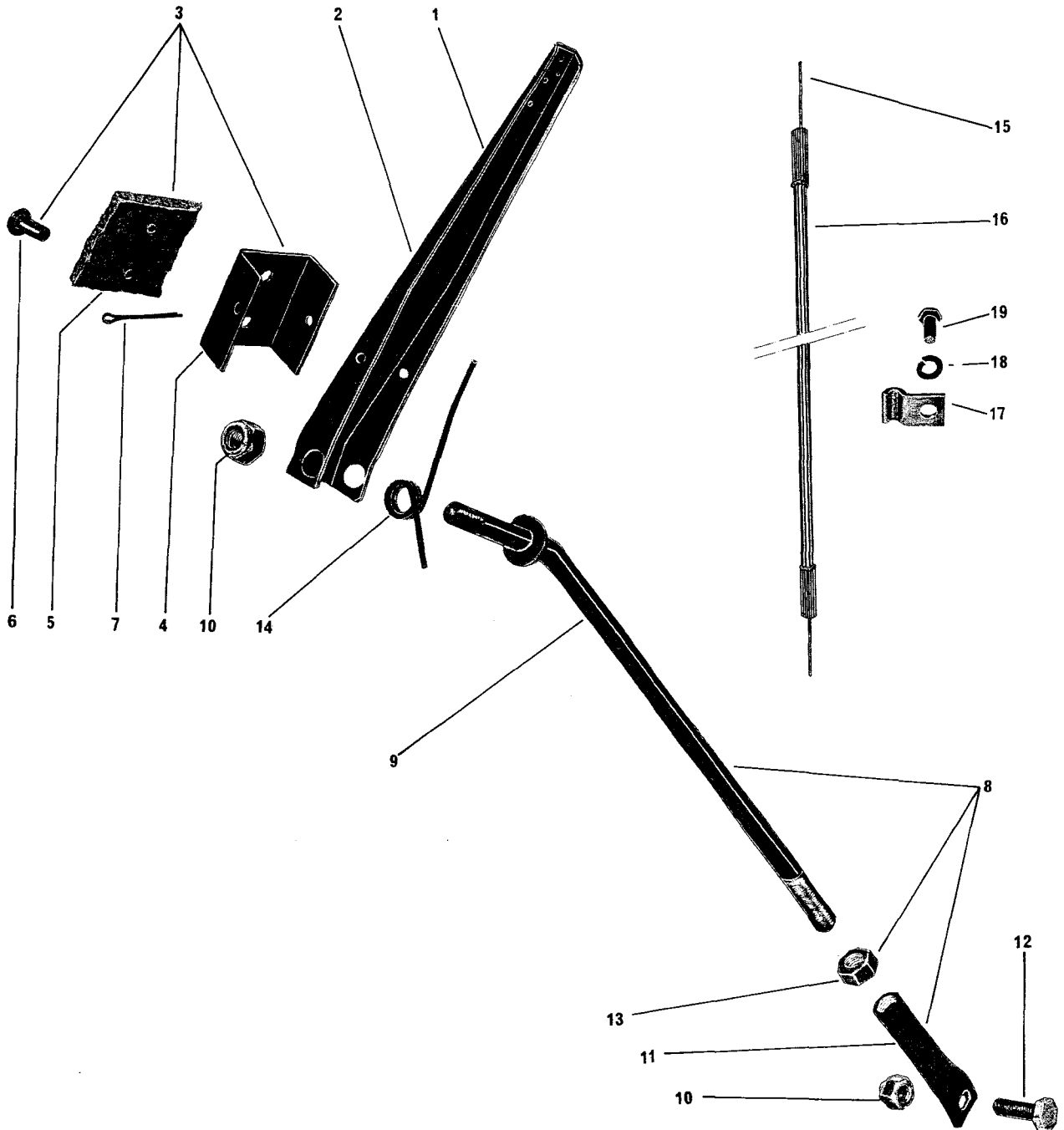
BARRE DE CONDUITE



| ITEM NO. | PART NO. | DESCRIPTION           | QUANTITY 669 TNT | ITEM NO. | PART NO. | DESCRIPTION  | QUANTITY 669 TNT |
|----------|----------|-----------------------|------------------|----------|----------|--------------|------------------|
| 1        | 570 0601 | Steering Bushing      | 1                | 9        | 506 0090 | Bar Bracket  | 1                |
| 2        | 581 4007 | Handle Assembly       | 1                | 10       | 300 0001 | Bolt         | 3                |
| 3        | 581 1036 | Control Handle w/Slug | 2                | 11       | 517 0141 | Brace Rod    | 1                |
| 4        | 506 0073 | Cable Slug Retainer   | 2                | 12       | 386 6019 | Nut          | 3                |
| 5        | 390 5001 | Rivet                 | 2                | 13       | 399 8006 | Lock Washer  | 1                |
| 6        | 390 9001 | Rivet                 | 2                | 14       | 300 3126 | Bolt         | 1                |
| 7        | 414 0002 | Grip                  | 2                | 15       | 506 0087 | Upper Column | 1                |
| 8        | 506 0088 | Handle Bar            | 1                | 16       | 387 2019 | Nut          | 3                |

**BRAKE, THROTTLE**

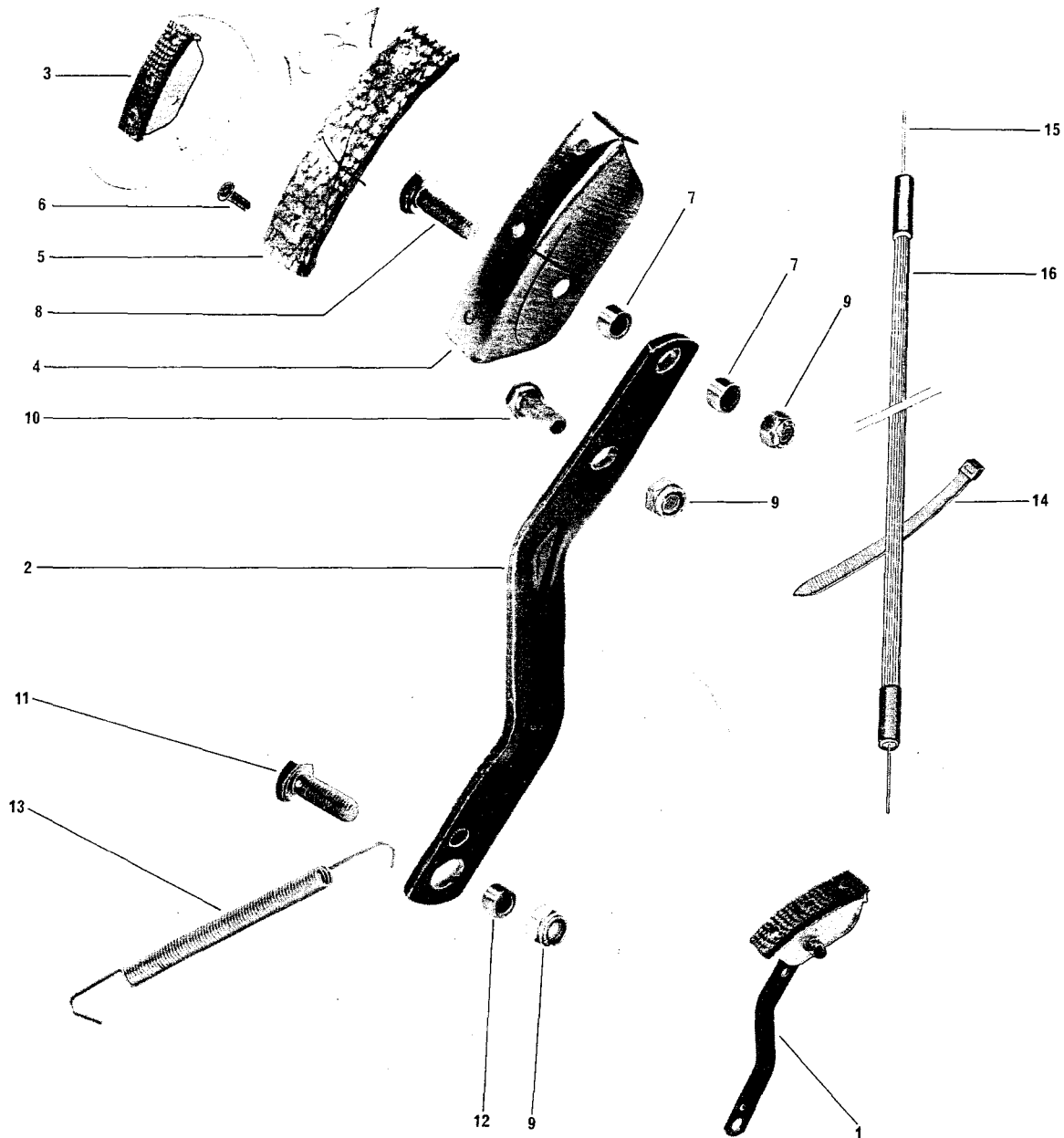
**ACCELERATEUR, FREIN**



| ITEM NO. | PART NO. | DESCRIPTION           | QUANTITY 12/3 SS | ITEM NO. | PART NO. | DESCRIPTION    | QUANTITY 12/3 SS |
|----------|----------|-----------------------|------------------|----------|----------|----------------|------------------|
| 1        | 580 1021 | Brake handle ass'y    | 1                | 11       | 507 0013 | Adjuster tube  | 1                |
| 2        | 507 0029 | Brake handle          | 1                | 12       | 300 0001 | Bolt           | 1                |
| 3        | 501 1018 | Swivel plate w/lining | 1                | 13       | 386 6019 | Nut            | 1                |
| 4        | 507 0032 | Plate                 | 1                | 14       | 414 0081 | Spring         | 1                |
| 5        | 507 0006 | Lining                | 1                | 15       | 414 0267 | Brake cable    | 1                |
| 6        | 390 5001 | Rivet                 | 2                | 15       | 414 0264 | Throttle cable | 1                |
| 7        | 371 0035 | Cotter pin            | 1                | 16       | 414 0263 | Cable housing  | 2                |
| 8        | 580 1023 | Hinge rod ass'y.      | 1                | 17       | 507 0028 | Clip           | 2                |
| 9        | 507 0012 | Rod                   | 1                | 18       | 392 0019 | Lock washer    | 1                |
| 10       | 380 6022 | Nut                   | 2                | 19       | 300 5000 | Bolt           | 1                |

**BRAKE, THROTTLE**

**ACCELERATEUR, FREIN**

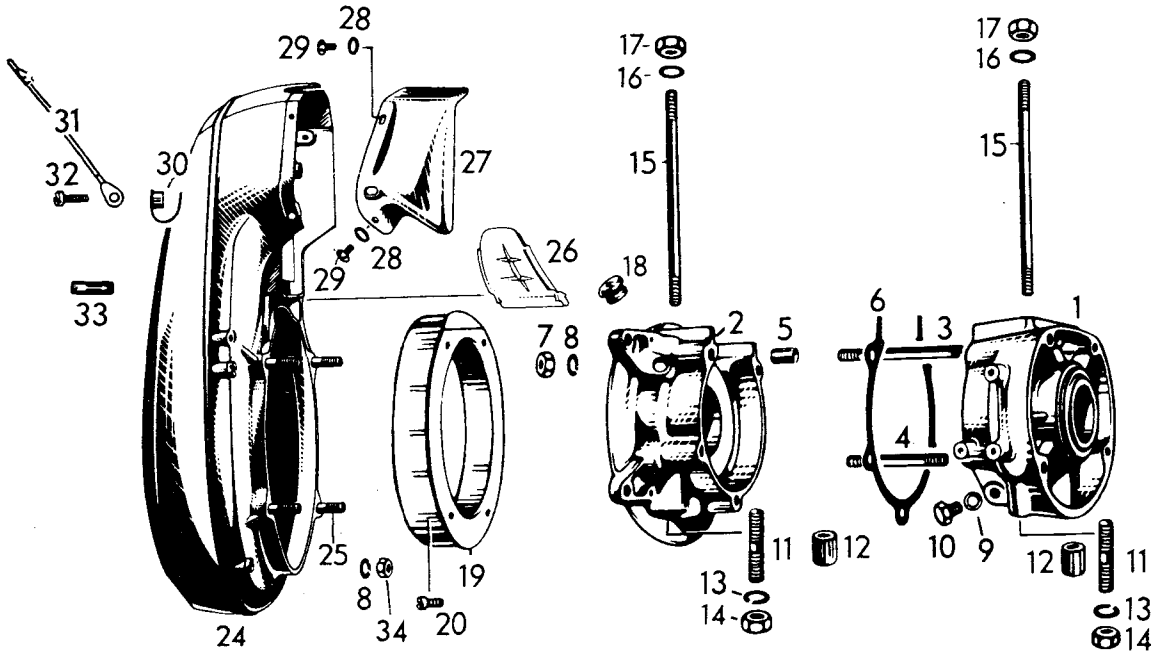


| ITEM NO. | PART NO. | DESCRIPTION         | QUANTITY |         |         | ITEM NO. | PART NO. | DESCRIPTION            | QUANTITY |         |         |
|----------|----------|---------------------|----------|---------|---------|----------|----------|------------------------|----------|---------|---------|
|          |          |                     | 320 SS   | 399 TNT | 669 TNT |          |          |                        | 320 SS   | 399 TNT | 669 TNT |
| 1        | 581 1023 | Brake lever ass'y.  | 1        | 1       | 1       | 14       | 114 0043 | Hose tie               | 1        | 1       | 1       |
| 2        | 507 0036 | Brake lever         | 1        | 1       | 1       | 15       | 414 0262 | Brake cable            | 1        | 1       |         |
| 3        | 582 1012 | Shoe ass'y W/lining | 1        | 1       | 1       | 15       | 414 0359 | Brake cable            |          |         | 1       |
| 4        | 507 0037 | Shoe                | 1        | 1       | 1       | 15       | 414 0261 | Throttle cable         |          | 1       |         |
| 5        | 507 0038 | Lining              | 1        | 1       | 1       | 15       | 414 0264 | Throttle cable         | 1        |         |         |
| 6        | 390 5001 | Rivet               | 3        | 3       | 3       | 15       | 414 0277 | Throttle cable         |          |         | 1       |
| 7        | 507 0041 | Lug spacer          | 2        | 2       | 2       | 16       | 414 0266 | Brake cable housing    | 1        | 1       |         |
| 8        | 309 8020 | Bolt                | 1        | 1       | 1       | 16       | 414 0358 | Brake cable housing    |          |         | 1       |
| 9        | 386 6019 | Nut                 | 3        | 3       | 3       | 16       | 414 0263 | Throttle cable housing | 1        |         |         |
| 10       | 309 8019 | Bolt                | 1        | 1       | 1       | 16       | 414 0288 | Throttle cable housing |          | 1       |         |
| 11       | 560 7004 | Lock bolt           | 1        | 1       | 1       | 16       | 414 0275 | Throttle cable housing |          |         | 1       |
| 12       | 507 0044 | Lock bushing        | 1        | 1       | 1       | 17       | 507 0028 | Housing clip           | 1        |         |         |
| 13       | 414 0257 | Spring              | 1        | 1       |         | 18       | 392 0019 | Lock washer            | 1        |         |         |
| 13       | 414 0245 | Spring              |          |         | 1       | 19       | 300 5000 | Bolt                   | 1        |         |         |

# ROTAX ENGINE

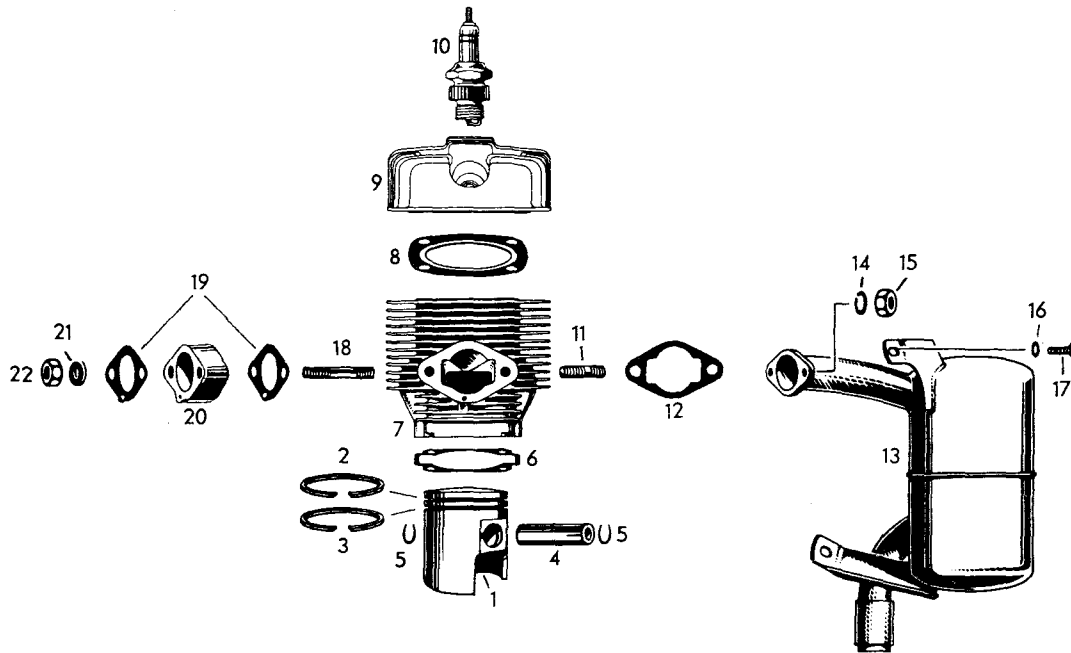
## 1969

292CC - MANUAL

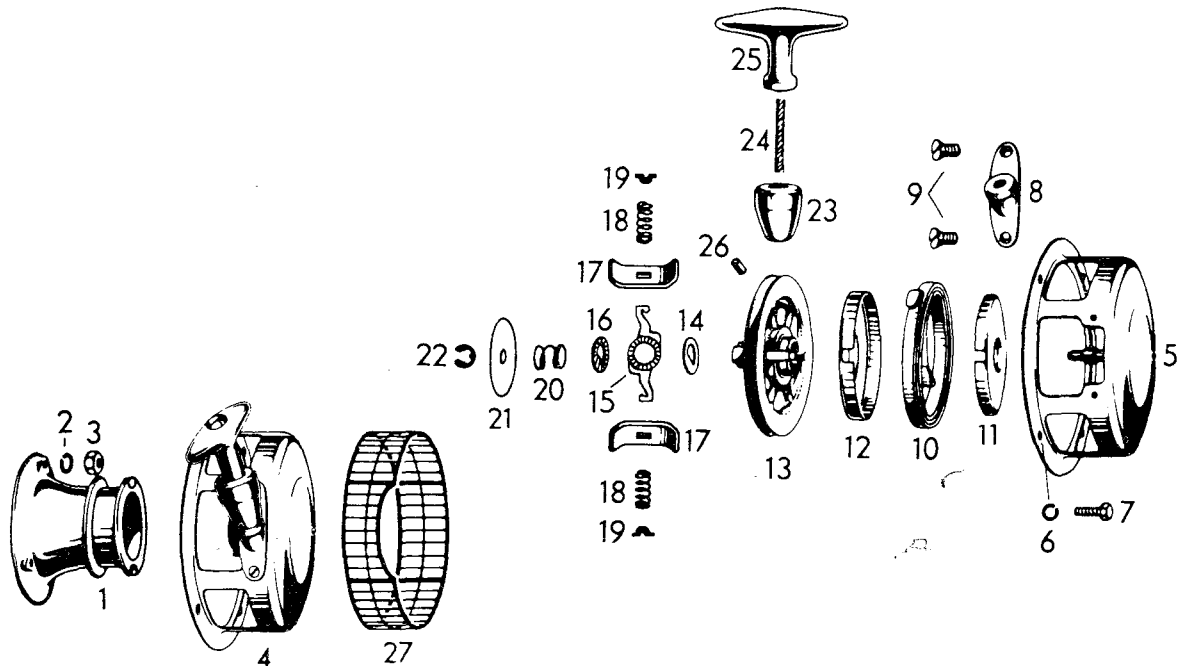


| ITEM NO.  | PART NO. | DESCRIPTION                        | QUANTITY 292 | ITEM NO. | PART NO. | DESCRIPTION                        | QUANTITY 292 |
|-----------|----------|------------------------------------|--------------|----------|----------|------------------------------------|--------------|
| 1,2,3,4,5 | 402 0005 | Crankcase Ass'y                    | 1            | 18       | 402 0028 | Cable Grommet, Ignition, Cable     | 1            |
| 3         | 402 0007 | Stud M 8 x 56                      | 2            | 19       | 402 0037 | Labyrinth Ring                     | 1            |
| 4         | 402 0009 | Stud M 8 x 46                      | 3            | 20       | 402 0142 | Cyl. Screw M 6 x 10                | 4            |
| 5         | 402 1015 | Dowel Tube                         | 2            | 24,25,26 | 402 0137 | Fan Cowl Ass'y                     | 1            |
| 6         | 402 0014 | Gasket, Crankcase                  | 1            | 25       | 402 2002 | Stud M 8 x 25                      | 4            |
| 7         | 402 0017 | Hex. Nut M 8                       | 5            | 26       | 402 0100 | Plastic Baffle                     | 1            |
| 8         | 402 0016 | Lock Washer 8, Crankcase, Fan Cowl | 5            | 27       | 402 0094 | Air Deflector                      | 1            |
| 9         | 402 0019 | Sealing Ring                       | 4            | 28       | 402 3037 | Spring Washer B 5                  | 2            |
| 10        | 402 0020 | Hex. Screw M 8 x 9, Oil Drain      | 1            | 29       | 402 5045 | Flat Headed Screw M 5 x 8          | 2            |
| 11        | 402 0023 | Stud M 10 x 42, Engine Base        | 4            | 30       | 402 0061 | Cable Clamp                        | 1            |
| 12        | 402 0091 | Distance Sleeve                    | 4            | 31       | 402 0080 | Mass Cable with Contact Pin 130 MM | 1            |
| 13        | 402 0025 | Lock Washer 10                     | 4            | 32       | 402 0057 | Cyl. Screw M 3 x 16                | 1            |
| 14        | 402 0026 | Hex. Nut M 10                      | 4            | 33       | 402 0092 | Direction Plate                    | 1            |
| 15        | 402 0076 | Stud M 8 x 171                     | 4            | 34       | 402 0018 | Hex. Nut M 8                       | 4            |
| 16        | 402 0031 | Washer                             | 4            |          |          |                                    |              |
| 17        | 402 0018 | Hex. Nut M 8                       | 4            |          |          |                                    |              |





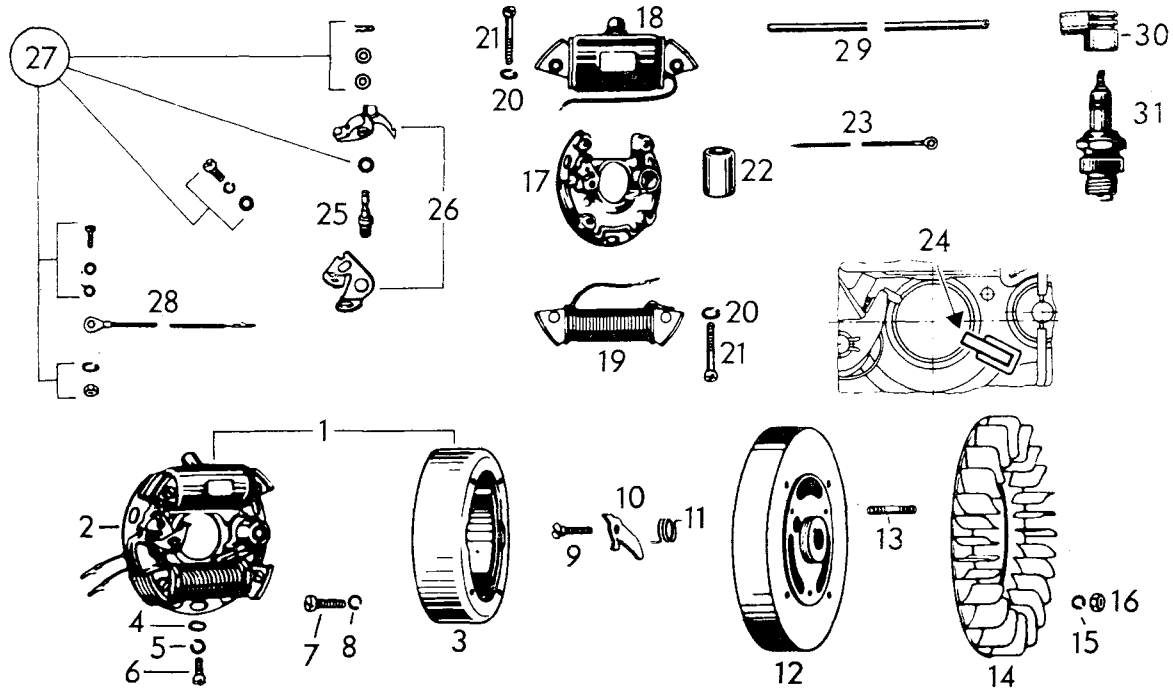
| ITEM NO. | PART NO. | DESCRIPTION                 | QUANTITY 292 | ITEM NO. | PART NO. | DESCRIPTION                  | QUANTITY 292 |
|----------|----------|-----------------------------|--------------|----------|----------|------------------------------|--------------|
| 1-2-3    | 402 1161 | Piston Ass'y. w/ring 75 STD | 1            | 11       | 402 2038 | Stud M 8 x 19                | 2            |
|          | 402 1166 | DTO. 75.5 1st. oversize     | 1            | 12       | 402 2089 | Gasket (muffler)             | 1            |
| 2        | 402 1162 | L-Ring 75 STD               | 1            | 13       | 402 2119 | Muffler Assembly             | 1            |
|          | 402 1163 | DTO. 75.5 1st. oversize     | 1            | 14       | 402 0016 | Lock Washer                  | 2            |
| 3        | 402 1164 | Rectangular Ring 75 STD     | 1            | 15       | 402 0017 | Nut M 8                      | 2            |
|          | 402 1165 | DTO. 75.5 1st. oversize     | 1            | 16       | 402 0031 | Washer                       | 1            |
| 4        | 402 1064 | Gudgeon Pin                 | 1            | 17       | 402 2001 | Bolt                         | 1            |
| 5        | 402 1067 | Circlip                     | 2            | 18       | 402 2159 | Stud M 8 x 41                | 2            |
| 6        | 402 2088 | Gasket (cylinder flange)    | 1            | 19       | 404 0212 | Flange Gasket                | 2            |
| 7        | 402 2186 | Cylinder w/sleeve           | 1            | 20       | 402 2171 | Isolating Flange 20 MM thick | 1            |
| 8        | 402 2101 | Gasket (cylinder head)      | 1            | 21       | 402 2172 | Isolating Washer             | 2            |
| 9        | 402 2173 | Cylinder Head               | 1            | 22       | 402 0018 | Nut M 8                      | 2            |
| 10       | 402 4080 | Spark Plug (Bosch M280T31)  | 1            |          |          |                              |              |



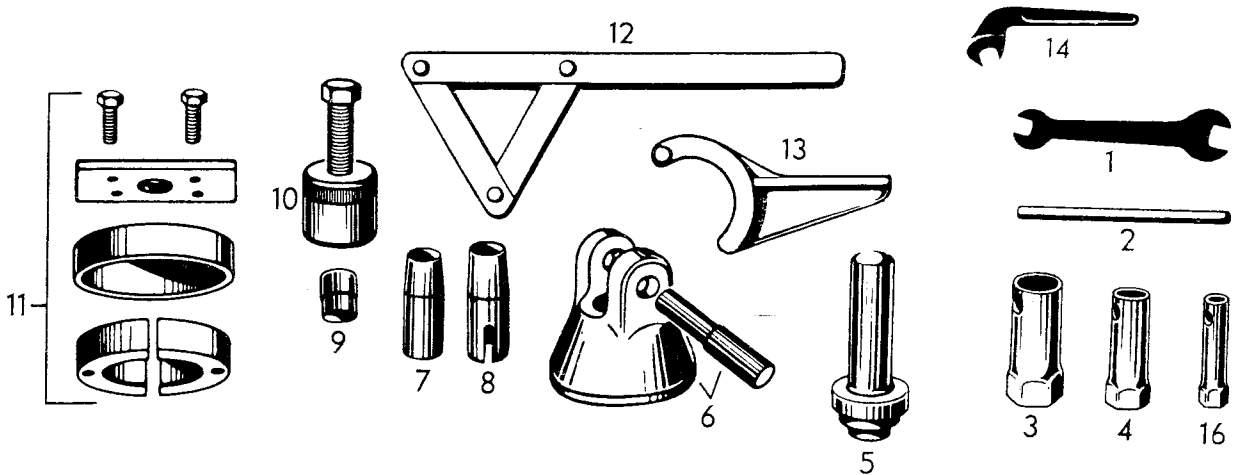
for pawl assy see: 420-3012-05

| ITEM NO. | PART NO. | DESCRIPTION               | QUANTITY | ITEM NO. | PART NO. | DESCRIPTION            | QUANTITY |
|----------|----------|---------------------------|----------|----------|----------|------------------------|----------|
|          |          |                           | 292      |          |          |                        | 292      |
| 1        | 402 5003 | Starting Pulley           | 1        | 15       | 402 5028 | Pivot Arm              | 1        |
| 2        | 402 0015 | Lock Washer 6             | 3        | 16       | 402 5027 | Friction Washer        | 1        |
| 3        | 402 2053 | Hex. Nut M 6              | 3        | 17       | 402 5029 | Pawl                   | 2        |
| 4        | 402 5005 | Rewind Starter Ass'y      | 1        | 18       | 402 5030 | Pawl Spring            | 2        |
| 5        | 402 5035 | Starter Housing           | 1        | 19       | 402 5031 | Pawl Spring Stop       | 2        |
| 6        | 402 0015 | Lock Washer 6             | 4        | 20       | 402 5032 | Friction Spring        | 1        |
| 7        | 402 5011 | Hex. Screw M 6 x 15       | 4        | 21       | 402 5033 | Washer                 | 1        |
| 8        | 402 5036 | Starter Stop              | 1        | 22       | 402 5034 | Circlip                | 1        |
| 9        | 402 5037 | Countersunk Screw M 5 x 8 | 2        | 23       | 402 5039 | Rubber Buffer          | 1        |
| 10,11,   | 402 5023 | Spring Cartridge Ass'y    | 1        | 24,25    | 402 5017 | Starter Rope with Grip | 1        |
| 12       |          |                           |          | 24       | 402 5018 | Starter Rope 1200 MM   | 1        |
| 10       |          |                           |          | 25       | 402 5019 | Starter Grip           | 1        |
| 11       | 402 5038 | Spring Guide              | 1        | 26       | 402 5016 | Bolt, Starter Rope     | 1        |
| 12       | 402 5044 | Cover, Spring Guide       | 1        | 27       | 402 5042 | Protection Sieve       | 1        |
| 13       | 265 2003 | Rope Sheave               | 1        |          |          |                        |          |
| 14       | 402 5026 | D-Washer                  | 1        |          |          |                        |          |





| ITEM NO. | PART NO. | DESCRIPTION                              | QUANTITY 292 | ITEM NO. | PART NO. | DESCRIPTION                                 | QUANTITY 292 |
|----------|----------|--|--------------|----------|----------|---|--------------|
| 1        | 402 4003 | Magneto Generator Ass'y<br>12 V. 40 W.   | 1            | 16       | 402 2053 | Hex. Nut M 6                                | 4            |
| 2        | 402 4016 | Armature Plate Ass'y                     | 1            | 17       | 402 4037 | Armature Plate alone                        | 1            |
| 3        | 402 4019 | Magneto Ring                             | 1            | 18       | 402 4040 | Ignition Coil                               | 1            |
| 4        | 402 4022 | Washer                                   | 3            | 19       | 402 4084 | Lighting Coil with Cable<br>and Contact Pin | 1            |
| 5        | 402 4024 | Lock Washer 5                            | 3            | 20       | 402 4024 | Lock Washer 5                               | 4            |
| 6        | 402 4026 | Cyl. Screw M 5 x 16                      | 3            | 21       | 402 4048 | Cyl. Screw M 5 x 28                         | 4            |
| 7        | 402 4027 | Cyl. Screw M 6 x 22,<br>Flywheel         | 4            | 22       | 402 4068 | Condenser                                   | 1            |
| 8        | 402 0015 | Lock Washer 6                            | 4            | 23       | 402 4070 | Cable, Condenser                            | 1            |
| 9-12     | 402 4105 | Magneto Housing Ass'y                    | 1            | 24       | 402 4116 | Lubricating Wick<br>(to be inserted)        | 1            |
| 9        | 402 4094 | Screw M 6, Bearing<br>Centrifugal Weight | 1            | 25       | 402 4049 | Pivot Pin, Contact Breaker                  | 1            |
| 10       | 402 0146 | Centrifugal Weight                       | 1            | 26       | 402 4050 | Contact & Breaker Points Set                | 1            |
| 11       | 402 4096 | Spring, Centrifugal Weight               | 1            | 27       | 402 7016 | Parts Set                                   | 1            |
| 12       | 402 4032 | Magneto Housing                          | 1            | 28       | 402 4062 | Shorting Cable 380 MM<br>with Contact Pin   | 1            |
| 13       | 402 4089 | Stud M 6 x 15, Starting Pulley           | 2            | 29       | 402 4106 | Ignition Cable 480 MM                       | 1            |
| 14       | 402 4034 | Fan                                      | 1            | 30       | 402 4076 | Spark Plug Protector                        | 1            |
| 15       | 402 0015 | Lock Washer 6                            | 4            | 31       | 402 4079 | Spark Plug BOSCH M 240 T1                   | 1            |



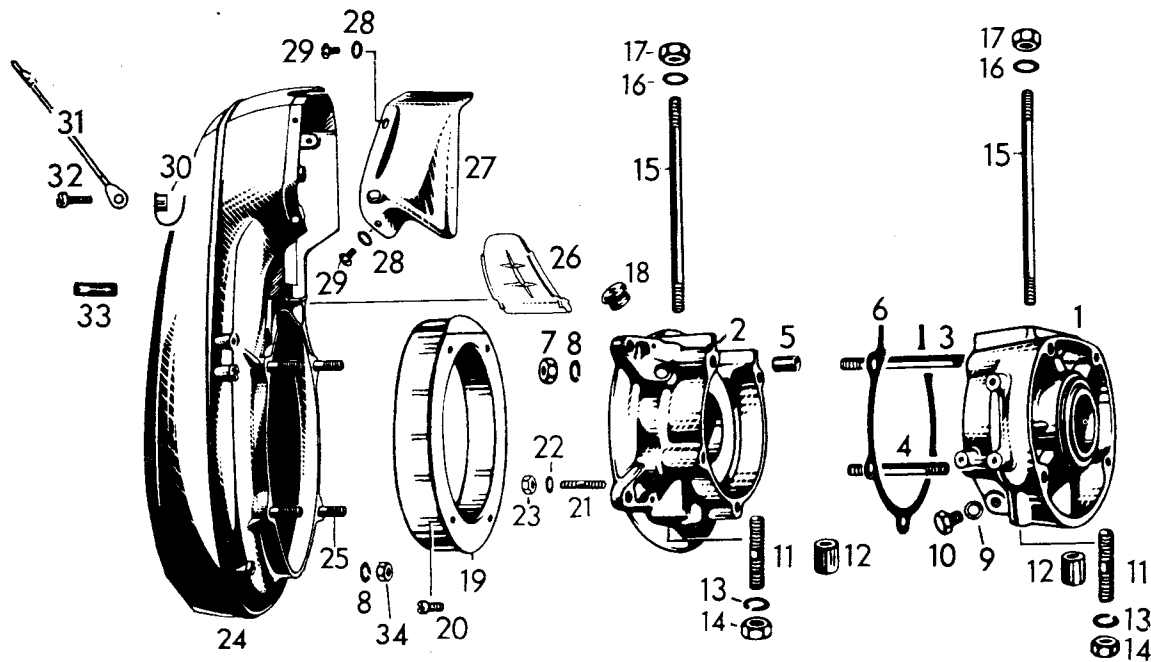
| ITEM NO.   | PART NO. | DESCRIPTION                      | QUANTITY 292 | ITEM NO. | PART NO. | DESCRIPTION                                 | QUANTITY 292 |
|------------|----------|----------------------------------|--------------|----------|----------|---|--------------|
| 1,2<br>3,4 | 402 8025 | Tool Set                         | 1            | 7        | 402 8011 | Sleeve for Oil Seal, p.t.o. Side            | 1            |
| 1          | 402 8023 | Fork Wrench 10/13 MM             | 1            | 8        | 402 8010 | Sleeve for Oil Seal, Magneto Side           | 1            |
| 2          | 402 8039 | Pin 8 x 130 MM, Socket Wrench    | 1            | 9        | 402 8005 | Protection Cap 18 MM                        | 1            |
| 3          | 402 8022 | Socket Wrench 26 MM, Spark Plug  | 1            | 10       | 402 8004 | Puller for Flywheel                         | 1            |
| 4          | 402 8024 | Socket Wrench 13 MM              | 1            | 11       | 402 8001 | Puller for Bearing 402                      | 1            |
| 5          | 402 8028 | Stamp to mount Oil Seal          | 1            | 12       | 402 8008 | Wrench to hold Fan                          | 1            |
| 6          | 402 8013 | Holder with Bolt, Connecting Rod | 1            | 13       | 402 8038 | Holder, Crankshaft                          | 1            |
|            |          |                                  |              | 14       | 402 8042 | One-end Wrench 13 MM, Carburetor Ass'y Nuts | 1            |
|            |          |                                  |              | 16       | 402 8047 | Socket Wrench 11 MM                         |              |

NOTE

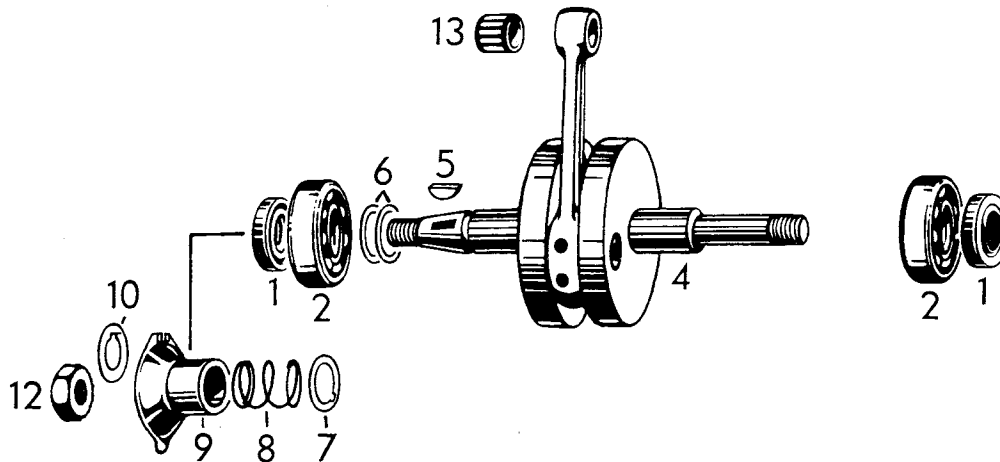
# ROTAX ENGINE

## 1969

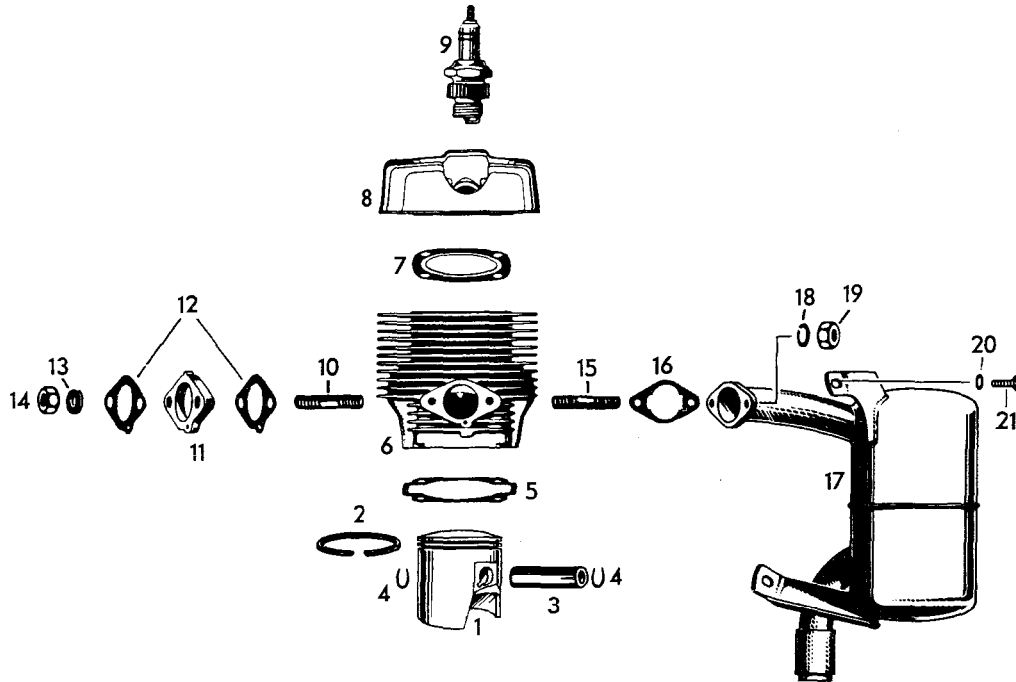
335CC - MANUAL



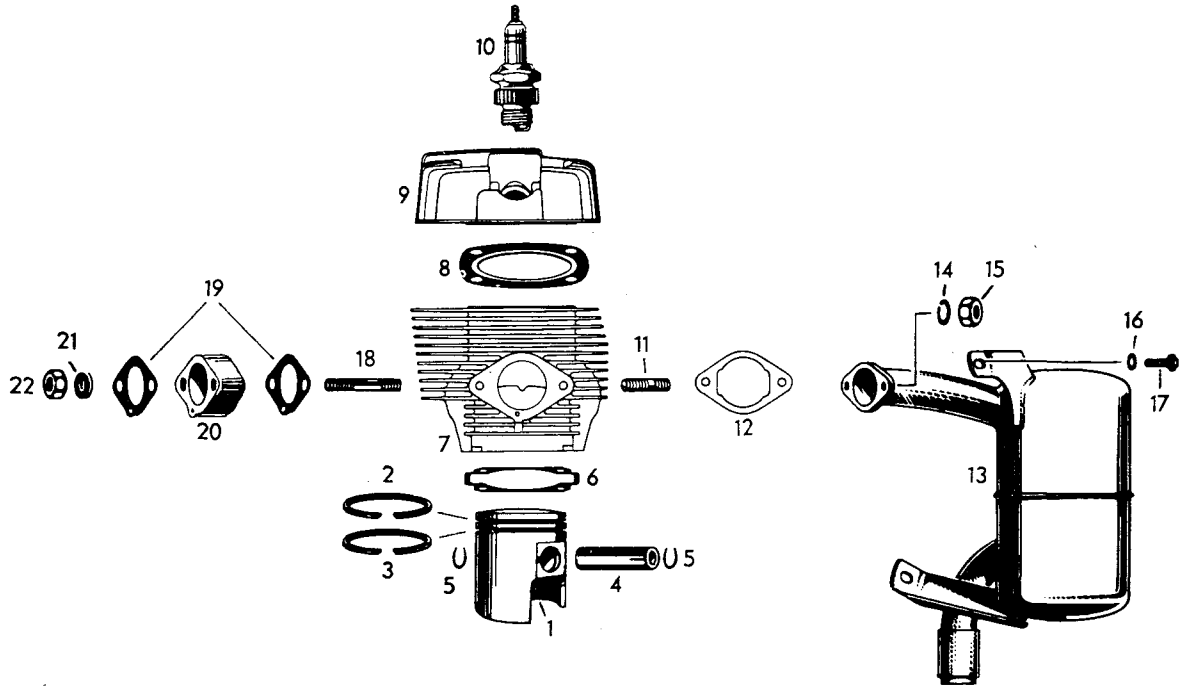
| ITEM NO.  | PART NO. | DESCRIPTION                       | QUANTITY 335 | ITEM NO. | PART NO. | DESCRIPTION                        | QUANTITY 335 |
|-----------|----------|-----------------------------------|--------------|----------|----------|------------------------------------|--------------|
| 1,2,3,4,5 | 402 0140 | Crankcase Ass'y                   | 1            | 19       | 402 0141 | Labyrinth Ring                     | 1            |
| 3         | 402 0007 | Stud M 8 x 56                     | 2            | 20       | 402 0142 | Cyl. Screw M 6 x 10                | 4            |
| 4         | 402 0009 | Stud M 8 x 46                     | 3            | 21       | 402 4117 | Stud M 5 x 11,5, Armature Plate    | 3            |
| 5         | 402 1015 | Dowel Tube                        | 2            | 22       | 402 4133 | Washer 5,3                         | 3            |
| 6         | 402 0014 | Gasket, Crankcase                 | 1            | 23       | 402 0105 | Lock Nut M 5                       | 3            |
| 7         | 402 0017 | Hex. Nut M 8                      | 5            | 24,25    | 402 0137 | Fan Cowl Ass'y                     | 1            |
| 8         | 402 0016 | Lock Washer 8, Crankcase Fan Cowl | 5            | 26       | 402 2002 | Stud M 8 x 25                      | 4            |
| 9         | 402 0019 | Sealing Ring                      | 4            | 26       | 402 0100 | Plastic Baffle                     | 1            |
| 10        | 402 0020 | Hex. Screw M 8 x 9, Oil Drain     | 1            | 27       | 402 0094 | Air Deflector                      | 1            |
| 11        | 402 0023 | Stud M 10 x 42, Engine Base       | 4            | 28       | 402 3037 | Spring Washer B 5                  | 2            |
| 12        | 402 0091 | Distance Sleeve                   | 4            | 29       | 402 5045 | Flat Headed Screw M 5 x 8          | 2            |
| 13        | 402 0025 | Lock Washer 10                    | 4            | 30       | 402 0061 | Cable Clamp                        | 1            |
| 14        | 402 0026 | Hex. Nut M 10                     | 4            | 31       | 402 0080 | Mass Cable with Contact Pin 130 MM | 1            |
| 15        | 402 0076 | Stud M 8 x 171                    | 4            | 32       | 402 0057 | Cyl. Screw M 3 x 16                | 1            |
| 16        | 402 0031 | Washer                            | 4            | 33       | 402 0092 | Direction Plate                    | 1            |
| 17        | 402 0018 | Hex. Nut M 8                      | 4            | 34       | 402 0018 | Hex. Nut M 8                       | 4            |
| 18        | 402 0028 | Cable Grommet, Ignition, Cable    | 1            |          |          |                                    |              |



| ITEM NO. | PART NO. | DESCRIPTION      | QUANTITY 335 | ITEM NO. | PART NO. | DESCRIPTION                                  | QUANTITY 335 |
|----------|----------|------------------|--------------|----------|----------|--|--------------|
| 1        | 402 1002 | Oil Seal         | 2            | 6        | 402 1126 | Shim 0,1 MM                                  | As required  |
| 2        | 402 1124 | Roller Bearing   | 2            | 7        | 402 1035 | Washer, Cam Spring                           | 1            |
| 4        | 402 1125 | Crankshaft Ass'y | 1            | 8        | 402 1036 | Spring, Breaker Cam                          | 1            |
| 5        | 402 1010 | Key 5 x 6,5      | 1            | 9        | 402 1127 | Breaker Cam                                  | 1            |
| 6        | 402 1023 | Shim 0,2 MM      | As required  | 10       | 402 1040 | Lock Washer, Engine without Electric Starter | 1            |
| 6        | 402 1024 | Shim 0,3 MM      | As required  | 12       | 402 1043 | Hex. Nut M 18 x 1,5                          | 1            |
| 6        | 402 1025 | Shim 0,5 MM      | As required  | 13       | 402 1033 | Needle Cage, Piston Pin                      | 1            |
| 6        | 402 1026 | Shim 1,0 MM      | As required  |          |          |  |              |



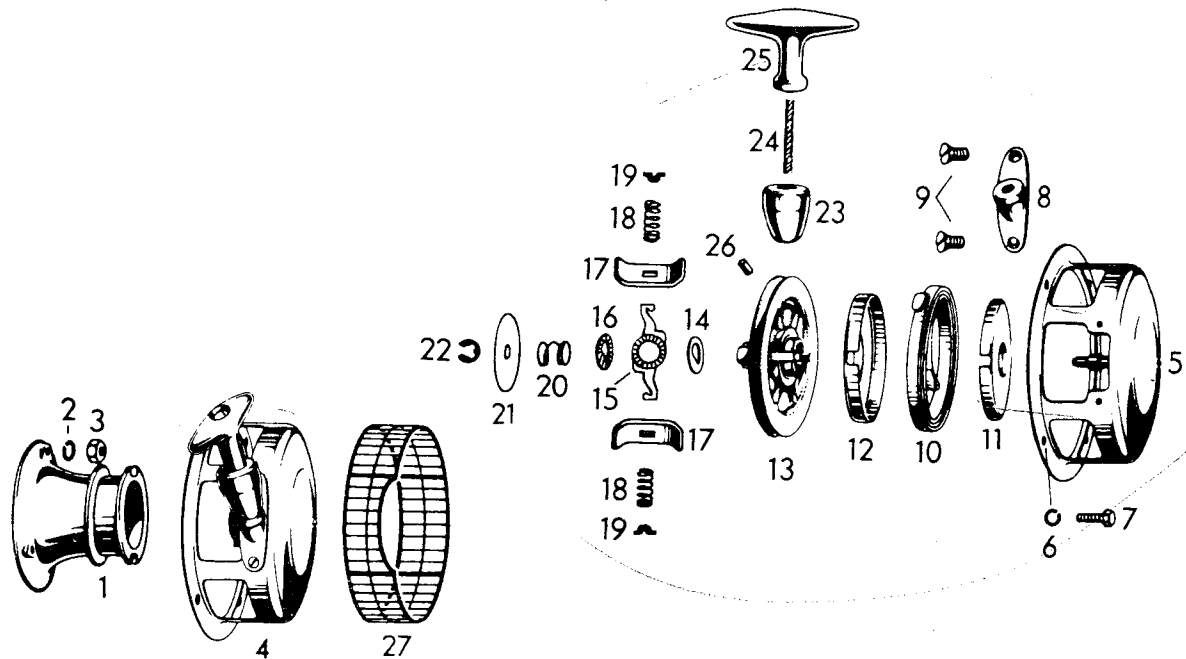
| ITEM NO. | PART NO. | DESCRIPTION                  | QUANTITY 335 | ITEM NO. | PART NO. | DESCRIPTION                        | QUANTITY 335 |
|----------|----------|------------------------------|--------------|----------|----------|------------------------------------|--------------|
| 1-2      | 402 1190 | Piston Ass'y. with Rings 78Ø | 1            | 11       | 404 0212 | Isolating Flange                   | 1            |
|          | 402 1191 | Dto., 78, 5Ø, 1st. Oversize  | 1            | 12       | 402 2131 | Tillotson Carburetor Flange Gasket | 2            |
| 2        | 402 1171 | Rectangular Ring 78Ø         | 2            | 13       | 402 2072 | Isolating Washer                   | 2            |
|          | 402 1172 | Dto., 78, 5Ø, 1st. Oversize  | 2            | 14       | 402 0078 | Hex. Nut M 8                       | 2            |
| 3        | 402 1064 | Gudgeon Pin                  | 1            | 15       | 402 2038 | Stud M 8 x 19                      | 2            |
| 4        | 402 1067 | Circlip, Gudgeon Pin         | 2            | 16       | 402 2089 | Gasket, Exhaust Flange             | 1            |
| 5        | 402 2123 | Cylinder Flange Gasket       | 1            | 17       | 402 2119 | Muffler Ass'y.                     | 1            |
| 6        | 402 2196 | Cylinder with Sleeve         | 1            | 18       | 402 0016 | Lock Washer 8                      | 2            |
| 7        | 402 2101 | Gasket, Cylinder Head        | 1            | 19       | 402 0018 | Hex. Nut M 8                       | 2            |
| 8        | 402 2197 | Cylinder Head                | 1            | 20       | 402 0031 | Washer                             | 1            |
| 9        | 402 4079 | Spark Plug Bosch M 240 T1    | 1            | 21       | 402 2001 | Hex. Screw M 8 x 20                | 1            |
| 10       | 402 2002 | Stud M 8 x 25                | 2            |          |          |                                    |              |



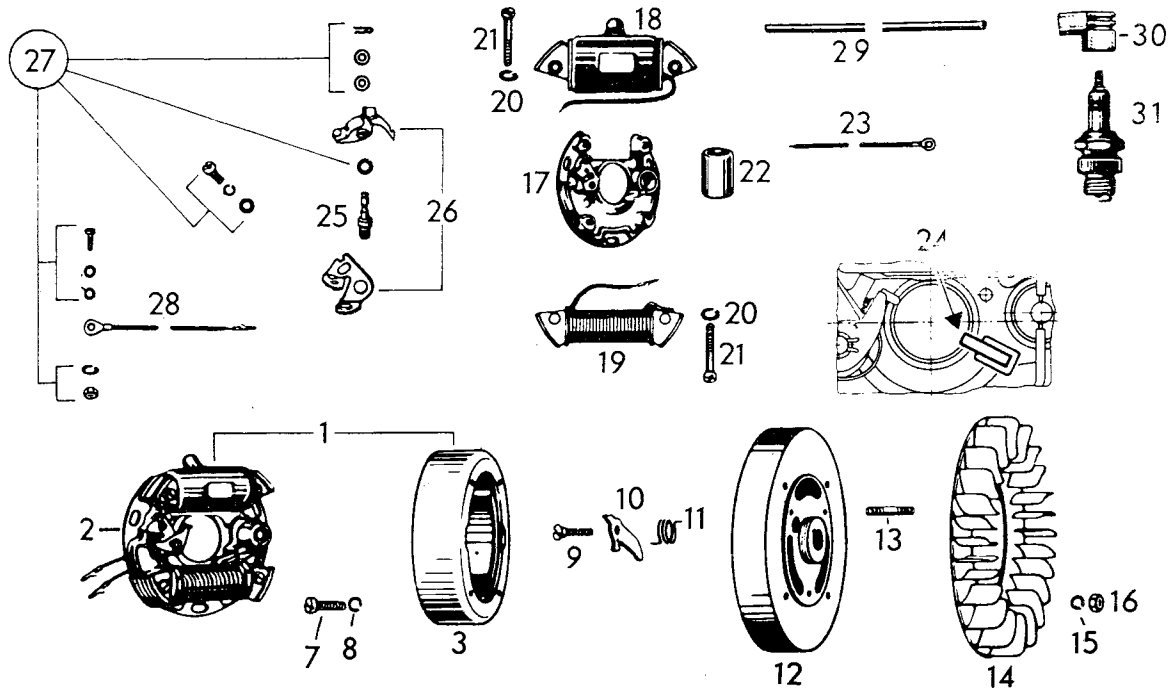
| ITEM NO. | PART NO. | DESCRIPTION                 | QUANTITY 335 | ITEM NO. | PART NO. | DESCRIPTION                  | QUANTITY 335 |
|----------|----------|-----------------------------|--------------|----------|----------|------------------------------|--------------|
| 1-2-3    | 402 1168 | Piston Ass'y, W/TH Ring 780 | 1            | 11       | 402 2038 | Stud M 8 x 19                | 2            |
| 1-2-3    | 402 1173 | Dto, 78.50, 1st Oversize    | 1            | 12       | 402 2100 | Gasket, Muffler              | 1            |
| 2        | 402 1169 | L-Ring 780                  | 1            | 13       | 402 2191 | Muffler Ass'y                | 1            |
| 2        | 402 1170 | Dto, 78.50, 1st Oversize    | 1            | 14       | 402 0016 | Lock Washer M 8              | 2            |
| 3        | 402 1171 | Rectangular Ring            | 1            | 15       | 402 0018 | Hex. Nut M 8                 | 2            |
| 3        | 402 1172 | Dto, 78.50, 1st Oversize    | 1            | 16       | 402 0031 | Washer                       | 1            |
| 4        | 402 1064 | Gudgeon Pin                 | 1            | 17       | 402 2001 | Hex. Screw M 8               | 2            |
| 5        | 402 1067 | Circlip Gudgeon Pin         | 2            | 18       | 402 2159 | Stud M 8 x 41                | 2            |
| 6        | 402 2123 | Gasket, Cylinder Flange     | 1            | 19       | 404 0212 | Flange Gasket                | 2            |
| 7        | 402 2187 | Cylinder with Sleeve        | 1            | 20       | 402 2171 | Isolating Flange 20 MM Thick | 1            |
| 8        | 402 2101 | Gasket, Cylinder Head       | 1            | 21       | 402 2072 | Isolating Flange             | 2            |
| 9        | 402 2175 | Cylinder Head               | 1            | 22       | 402 0018 | Hex. Nut M 8                 | 2            |
| 10       | 402 4080 | Spark Plug Bosh M 280 T31   | 1            |          |          |                              |              |



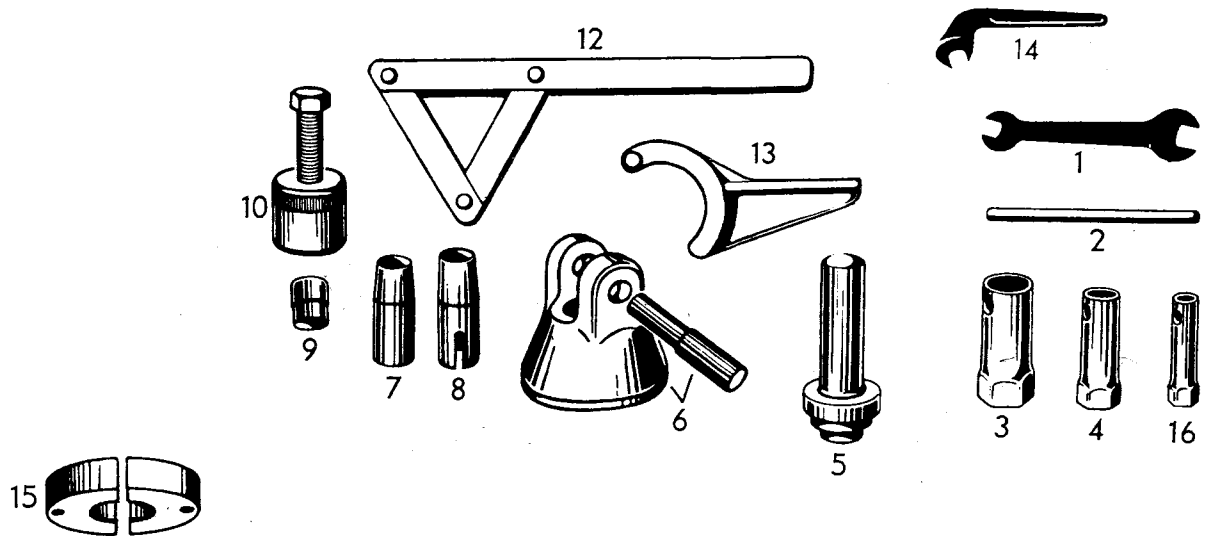




| ITEM NO.   | PART NO. | DESCRIPTION               | QUANTITY | ITEM NO. | PART NO. | DESCRIPTION            | QUANTITY |
|------------|----------|---------------------------|----------|----------|----------|------------------------|----------|
|            |          |                           | 335      |          |          |                        | 335      |
| 1          | 402 5003 | Starting Pulley           | 1        | 15       | 402 5028 | Pivot Arm              | 1        |
| 2          | 402 0015 | Lock Washer 6             | 3        | 16       | 402 5027 | Friction Washer        | 1        |
| 3          | 402 2053 | Hex. Nut M 6              | 3        | 17       | 402 5029 | Pawl                   | 2        |
| 4          | 402 5005 | Rewind Starter Ass'y.     | 1        | 18       | 402 5030 | Pawl Spring            | 2        |
| 5          | 402 5035 | Starter Housing           | 1        | 19       | 402 5031 | Pawl Spring Stop       | 2        |
| 6          | 402 0015 | Lock Washer 6             | 4        | 20       | 402 5032 | Friction Spring        | 1        |
| 7          | 402 5011 | Hex. Screw M 6 x 15       | 4        | 21       | 402 5033 | Washer                 | 1        |
| 8          | 402 5036 | Starter Stop              | 1        | 22       | 402 5034 | Circlip                | 1        |
| 9          | 402 5037 | Countersunk Screw M 5 x 8 | 2        | 23       | 402 5039 | Rubber Buffer          | 1        |
| 10, 11, 12 | 402 5023 | Spring Cartridge Ass'y    | 1        | 24, 25   | 402 5017 | Starter Rope with Grip | 1        |
| 10         | 402 5022 | Rewind Spring             | 1        | 24       | 402 5018 | Starter Rope 1200 MM   | 1        |
| 11         | 402 5038 | Spring Guide              | 1        | 25       | 402 5019 | Starter Grip           | 1        |
| 12         | 402 5044 | Cover, Spring Guide       | 1        | 26       | 402 5016 | Bolt, Starter Rope     | 1        |
| 13         | 265 2003 | Rope Sheave               | 1        | 27       | 402 5042 | Protection Sieve       | 1        |
| 14         | 402 5026 | D-Washer                  | 1        |          |          |                        |          |



| ITEM NO. | PART NO. | DESCRIPTION                              | QUANTITY 335 | ITEM NO. | PART NO. | DESCRIPTION                                 | QUANTITY 335 |
|----------|----------|--|--------------|----------|----------|---|--------------|
| 1        | 402 4003 | Magneto Generator Ass'y<br>12 V. 40 W.   | 1            | 18       | 402 4040 | Ignition Coil                               | 1            |
| 2        | 402 4016 | Armature Plate Ass'y                     | 1            | 19       | 402 4084 | Lighting Coil with Cable<br>and Contact Pin | 1            |
| 3        | 402 4019 | Magneto Ring                             | 1            | 20       | 402 4024 | Lock Washer 5                               | 4            |
| 7        | 402 4027 | Cyl. Screw M 6 x 22,<br>Flywheel         | 4            | 21       | 402 4048 | Cyl. Screw M 5 x 28                         | 4            |
| 8        | 402 0015 | Lock Washer 6                            | 4            | 22       | 402 4068 | Condenser                                   | 1            |
| 9-12     | 402 4105 | Magneto Housing Ass'y                    | 1            | 23       | 402 4070 | Cable, Condenser                            | 1            |
| 9        | 402 4094 | Screw M 6, Bearing<br>Centrifugal Weight | 1            | 24       | 402 4116 | Lubricating Wick<br>(to be inserted)        | 1            |
| 10       | 402 0146 | Centrifugal Weight                       | 1            | 25       | 402 4049 | Pivot Pin, Contact Breaker                  | 1            |
| 11       | 402 4096 | Spring, Centrifugal Weight               | 1            | 26       | 402 4050 | Contact & Breaker<br>Points Set             | 1            |
| 12       | 402 4032 | Magneto Housing                          | 1            | 27       | 402 7016 | Parts Set                                   | 1            |
| 13       | 402 4089 | Stud M 6 x 15, Starting Pulley           | 2            | 28       | 402 4062 | Shorting Cable 380 MM<br>with Contact Pin   | 1            |
| 14       | 402 4034 | Fan                                      | 1            | 29       | 402 4106 | Ignition Cable 480 MM                       | 1            |
| 15       | 402 0015 | Lock Washer 6                            | 4            | 30       | 402 4076 | Spark Plug Protector                        | 1            |
| 16       | 402 2053 | Hex. Nut M 6                             | 4            | 31       | 402 4079 | Spark Plug BOSCH M 240 T1                   | 1            |
| 17       | 402 4037 | Armature Plate alone                     | 1            |          |          |   |              |



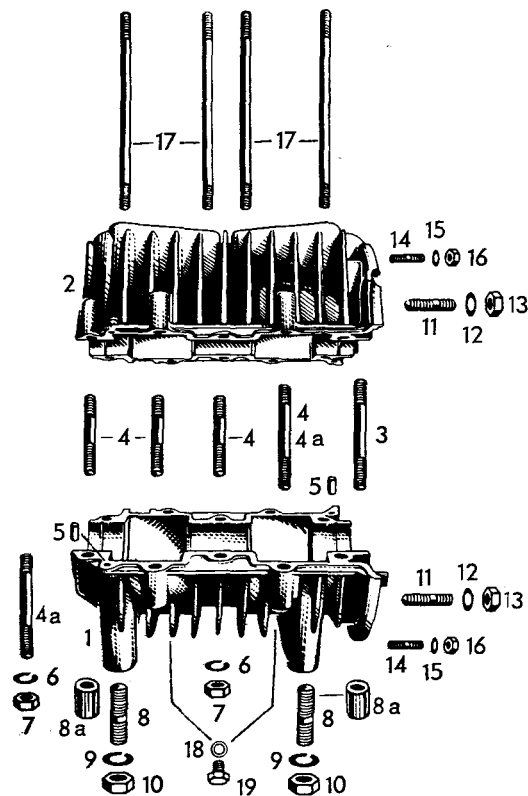
| ITEM NO. | PART NO. | DESCRIPTION                      | QUANTITY 335 | ITEM NO. | PART NO. | DESCRIPTION                                 | QUANTITY 335 |
|----------|----------|----------------------------------|--------------|----------|----------|---|--------------|
| 1,2,3,4  | 402 8025 | Tool Set                         | 1            | 8        | 402 8010 | Sleeve for Oil Seal Magneto Side            | 1            |
| 1        | 402 8023 | Fork Wrench 10/13 MM             | 1            | 9        | 402 8005 | Protection Cap 18 MM                        | 1            |
| 2        | 402 8039 | Pin 8 x 130 MM, Socket Wrench    | 1            | 10       | 402 8004 | Puller for Flywheel                         | 1            |
| 3        | 402 8022 | Socket Wrench 26 MM, Spark Pl    | 1            | 12       | 402 8008 | Wrench to hold Fan                          | 1            |
| 4        | 402 8024 | Socket Wrench 13 MM              | 1            | 13       | 402 8038 | Holder, Crankshaft                          | 1            |
| 5        | 402 8028 | Stamp to mount Oil Seal          | 1            | 14       | 402 8042 | One-end Wrench 13 MM, Carburetor Ass'y Nuts | 1            |
| 6        | 402 8013 | Holder with Bolt, Co             | 1            | 15       | 402 8051 | Ring Half, for Roller Bearing 232/450       | 2            |
| 7        | 402 8011 | Sleeve for Oil Seal, p.t.o. Side | 1            | 16       | 402 8047 | Socket Wrench 11 MM                         | 1            |

**NOTE**

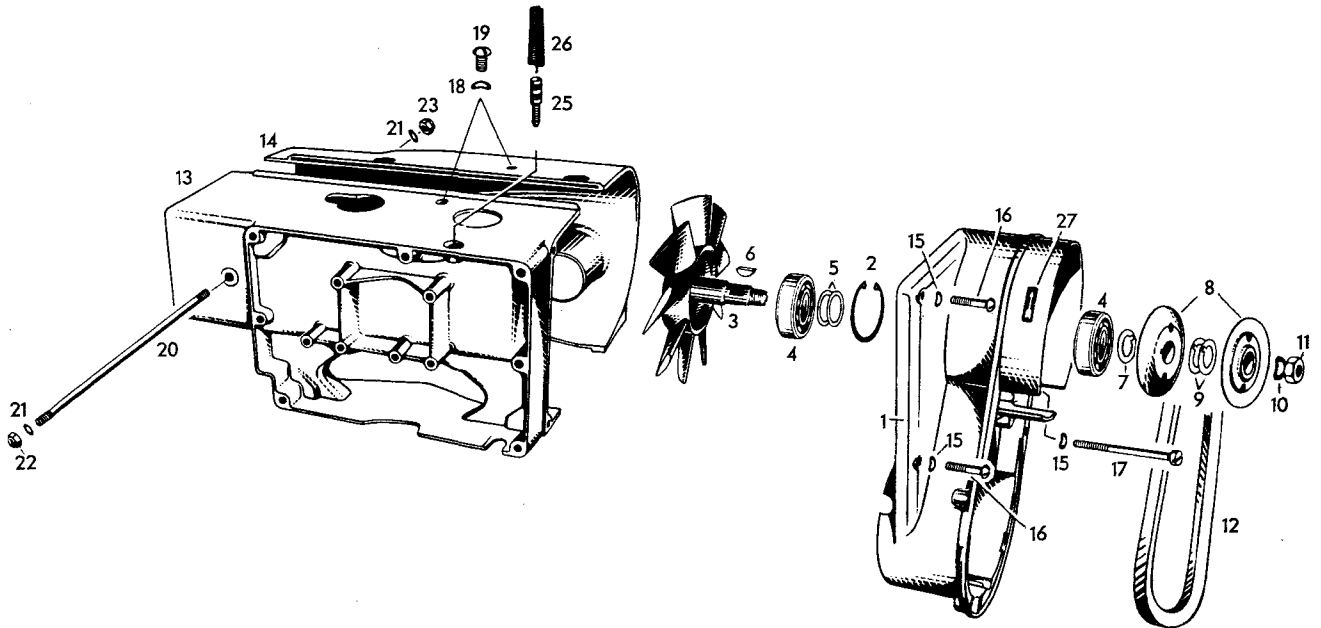
# ROTAX ENGINE

## 1969

399CC - MANUAL

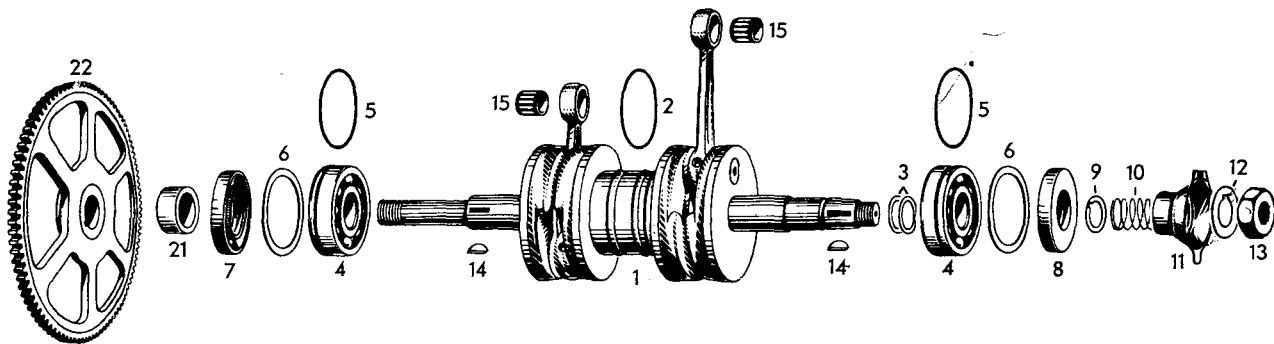


| ITEM NO. | PART NO. | DESCRIPTION        | QUANTITY | ITEM NO. | PART NO. | DESCRIPTION                 | QUANTITY |
|----------|----------|--------------------|----------|----------|----------|-----------------------------|----------|
|          |          |                    | 399      |          |          |                             | 399      |
| 1-2      | 402 0165 | Crankcase          | 1        | 10       | 402 0026 | Nut M 10                    | 4        |
| 3-4-5    | 402 0007 | Stud M 8 x 56      | 2        | 11       | 402 0115 | Stud M 8 x 16 (Fan Housing) | 4        |
| 4        | 402 0123 | Stud M 8 x 37      | 8        | 12       | 402 1158 | Locking Washer 8            | 4        |
| 5        | 402 0161 | Dowel Pin 5 Ø x 10 | 2        | 13       | 402 0134 | Nut M 8                     | 4        |
| 6        | 402 0016 | Lockwasher 8       | 10       | 14       | 402 4117 | Stud M 5 x 11.5             | 2        |
| 7        | 402 0018 | Nut M 8            | 10       | 15       | 402 4133 | Washer 5.3                  | 2        |
| 8        | 402 0153 | Stud M 10 x 18     | 4        | 16       | 402 0105 | Stop Nut M 5                | 2        |
| 9        | 402 0025 | Lockwasher 10      | 4        | 17       | 402 2160 | Stud M 8 (Cylinder)         | 8        |

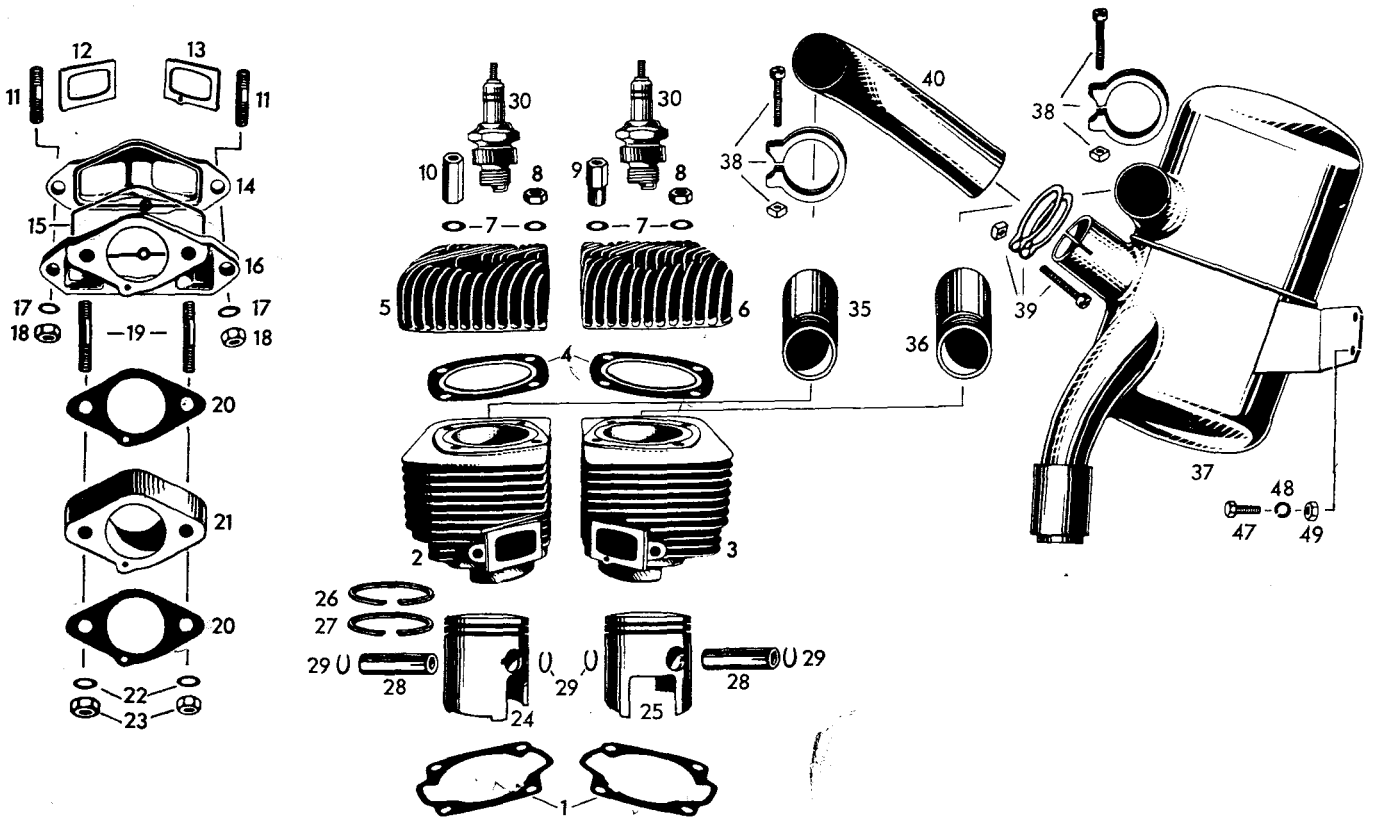


| ITEM NO. | PART NO. | DESCRIPTION             | QUANTITY | ITEM NO. | PART NO. | DESCRIPTION                 | QUANTITY |
|----------|----------|-------------------------|----------|----------|----------|-----------------------------|----------|
|          |          |                         | 399      |          |          |                             | 399      |
| 1        | 402 0155 | Fan Housing             | 1        | 15       | 402 0133 | Spring Washer B 6           | 3        |
| 2        | 402 0118 | Locking Ring            | 1        | 16       | 402 0151 | Flat Head Screw M 6 x 30    | 2        |
| 3        | 402 0154 | Fan with Shaft Assembly | 1        | 17       | 402 2125 | Cyl. Screw M 6 x 80         | 1        |
| 4        | 402 0136 | Ball Bearing            | 2        | 18       | 402 0125 | Spring Washer B 8           | 2        |
| 5        | 402 1018 | Washer                  | 2        | 19       | 402 0152 | Flat Head Screw 5/16 x 15   | 2        |
| 6        | 402 1009 | Woodruff Key 3 x 5      | 1        | 20       | 402 0150 | Stud M 6 x 177              | 1        |
| 7        | 402 0129 | Shim                    | 1        | 21       | 402 4129 | Washer 6.2                  | 2        |
| 8        | 402 0163 | Pulley Half             | 2        | 22       | 402 2169 | Locking Nut M 6             | 1        |
| 9        | 402 0129 | Shim                    | 4        | 23       | 402 2104 | Lock Nut M 6                | 1        |
| 10       | 402 1084 | Lock Washer 14          | 1        | 24       | 402 2053 | Hex. Nut M 6                | 1        |
| 11       | 402 1086 | Hex. Nut M 14 x 1.5     | 1        | 25       | 402 0147 | Adjustment Screw, Gas Cable | 1        |
| 12       | 402 0164 | V-Belt                  | 1        | 26       | 402 0138 | Support Spring, Gas Cable   | 1        |
| 13       | 402 0157 | Cylinder Cowl, Right    | 1        | 27       | 402 0092 | Direction Plate             | 1        |
| 14       | 402 0156 | Cylinder Cowl, Left     | 1        |          |          |                             |          |

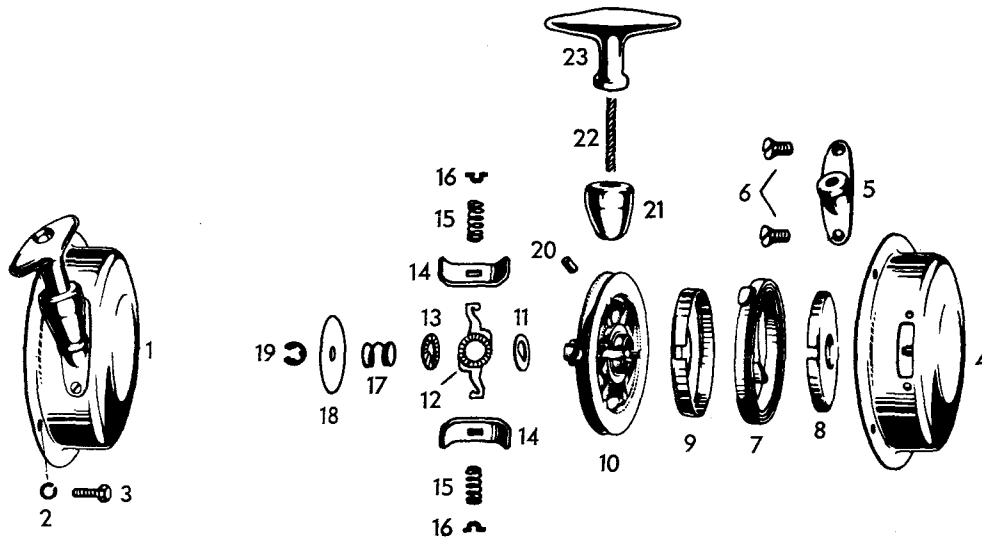




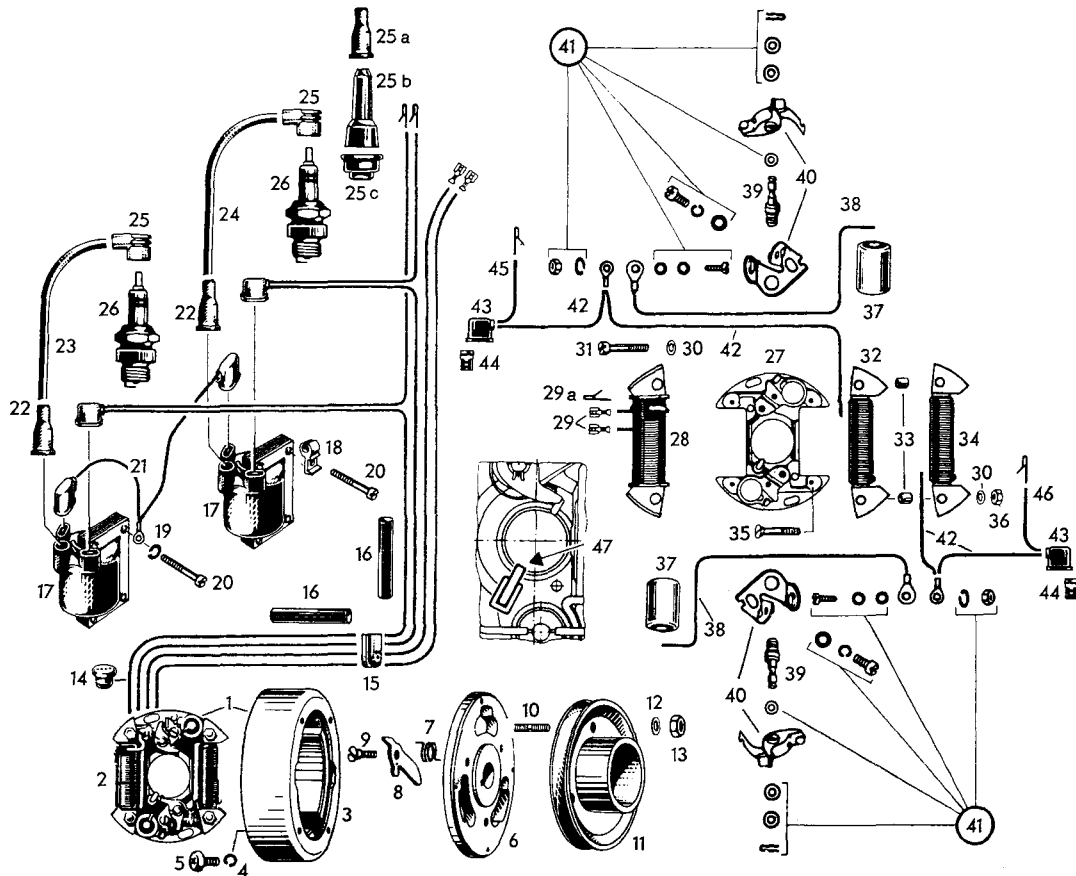
| ITEM NO. | PART NO. | DESCRIPTION         | QUANTITY 399 | ITEM NO. | PART NO. | DESCRIPTION                    | QUANTITY 399 |
|----------|----------|---------------------|--------------|----------|----------|--------------------------------|--------------|
| 1-2      | 402 1150 | Crankshaft Assembly | 1            | 10       | 402 1036 | Spring, Breaker Cam            | 1            |
| 2        | 402 1137 | O-Ring              | 3            | 11       | 402 1156 | Breaker Cam                    | 1            |
| 3        | 402 1023 | Shim 0.2 MM         | —            | 12       | 402 1040 | Lock Washer                    | 1            |
| 3        | 402 1024 | Shim 0.3 MM         | —            | 13       | 402 1043 | Hex. Nut M 18 x 1.5            | 1            |
| 3        | 402 1025 | Shim 0.5 MM         | —            | 14       | 402 1010 | Woodruff Key 5 x 6.5           | 2            |
| 3        | 402 1026 | Shim 1.0 MM         | —            | 15       | 402 1033 | Needle Cage                    | 2            |
| 3        | 402 1126 | Shim 0.1 MM         | —            | 16       | 402 1063 | Gudgeon Pin                    | 2            |
| 4        | 402 1142 | Ball Bearing        | 2            | 17       | 402 1067 | Circlip, Gudgeon Pin           | 4            |
| 5        | 402 1137 | O-Ring              | 2            | 21       | 302 1120 | Distance Sleeve 21 MM          | 1            |
| 6        | 402 1135 | Retaining Washer    | 2            | 22       | 402 5049 | Starter Gear 77 T              | —            |
| 7        | 402 1138 | Oil Seal            | 1            | 23       | 402 1123 | Washer, Crankshaft P.T.O. Side | 1            |
| 8        | 402 1136 | Oil Seal            | 1            |          |          |                                |              |
| 9        | 402 1035 | Washer, Cam Spring  | 1            |          |          |                                |              |



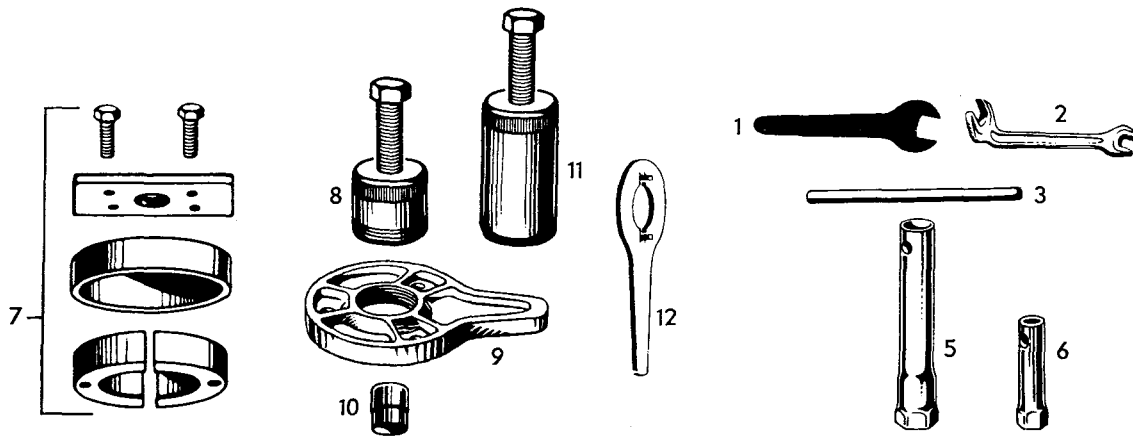
| ITEM NO. | PART NO. | DESCRIPTION                          | QUANTITY | ITEM NO. | PART NO. | DESCRIPTION                                       | QUANTITY |
|----------|----------|--------------------------------------|----------|----------|----------|---|----------|
|          |          |                                      | 399      |          |          |   | 399      |
| -        | 402 2192 | Cylinder Cowl Right, Carburetor Side | 1        | 23       | 402 0018 | Hex. Nut M 8                                      | 2        |
| 1        | 402 2132 | Gasket, Cylinder Flange              | 2        | 24       | 402 1174 | Piston Assy. with Rings, 64.5Ø, Std. P.T.O. Side  | 1        |
| 2        | 402 2180 | Cylinder P.T.O. Side                 | 1        | 26-27    |          |   |          |
| 3        | 402 2181 | Cylinder, Magneto Side               | 1        | 24       | 402 1180 | Dto., 65Ø, 1st. Oversize                          | 1        |
| 4        | 402 2133 | Gasket, Cylinder Head                | 2        | 26-27    |          |   |          |
| 5        | 402 2155 | Cylinder Head, P.T.O. Side           | 1        | 25       | 402 1175 | Piston Assy. with Rings, 64.5Ø, Std., P.T.O. Side | 1        |
| 6        | 402 2156 | Cylinder Head, Magneto Side          | 1        | 26-27    |          |   |          |
| 7        | 402 0031 | Washer, Cylinder Head                | 8        | 25       | 402 1181 | Dto., 65Ø, 1st. Oversize                          | 1        |
| 8        | 402 0017 | Hex. Nut M 8                         | 3        | 26       | 402 1176 | L-Ring 64.5Ø, Std.                                | 2        |
| 9        | 402 2143 | Distance Nut M 8                     | 4        | 26       | 402 1177 | Dto., 65Ø, 1st. Oversize                          | 2        |
| 10       | 402 2144 | Distance Nut M 8 - 1/8" - 27NPT      | 1        | 27       | 402 1186 | Rectangular Ring 64.5Ø, Std.                      | 2        |
| 11       | 402 2141 | Stud M 8 x 34                        | 2        | 27       | 402 1187 | Dto., 65Ø, 1st. Oversize                          | 2        |
| 12       | 402 2134 | Intake Gasket, P.T.O. Side Cylinder  | 1        | 28       | 402 1063 | Gudgeon Pin                                       | 2        |
| 13       | 402 2135 | Intake Gasket, Magneto Side Cylinder | 1        | 29       | 402 1067 | Circlip, Gudgeon Pin                              | 4        |
| 14       | 402 2148 | Intake Manifold                      | 1        | 30       | 402 4175 | Spark Plug BOSCH W260 T1                          | 2        |
| 15       | 402 2136 | Ring, Gasket                         | 1        | 35       | 402 2163 | Exhaust Socket 90 MM P.T.O. Side                  | 1        |
| 16       | 402 2182 | Intake Cover                         | 1        | 36       | 402 2164 | Exhaust Socket 107MM Magneto Side                 | 1        |
| 17       | 402 0031 | Washer                               | 2        | 37-38    |          |   |          |
| 18       | 402 2106 | Lock Nut M 8                         | 2        | 39-40    | 402 2117 | Muffler System Assembly                           | 1        |
| 19       | 402 2159 | Stud M 8 x 41, Carburetor            | 2        | 38       | 402 2166 | Clamp Assembly 40Ø                                | 2        |
| 20       |          | Tillotson Carburetor Flange Gasket   | 2        | 39       | 402 2167 | Clamp Assembly 42Ø                                | 1        |
| 21       | 402 2171 | Isolating Flange 20 MM Thick         | 1        | 40       | 402 2165 | Inlet Elbow                                       | 1        |
| 22       | 402 2072 | Isolating Washer                     | 2        | 47       | 402 5010 | Bolt M 6 x 20                                     | 2        |
|          |          |                                      |          | 48       | 402 0015 | Lockwasher M 6                                    | 2        |
|          |          |                                      |          | 49       | 402 2053 | Bolt M 6  | 2        |



| ITEM NO. | PART NO. | DESCRIPTION               | QUANTITY 399 | ITEM NO. | PART NO. | DESCRIPTION              | QUANTITY 399 |
|----------|----------|---------------------------|--------------|----------|----------|--------------------------|--------------|
| 1        | 402 5046 | Rewind starter assy.      | 1            | 12       | 402 5028 | Pivot arm                | 1            |
| 2        | 402 0015 | Lock washer 6             | 4            | 13       | 402 5027 | Friction washer          | 1            |
| 3        | 402 5011 | Hex. screw M 6 x 15       | 4            | 14       | 402 5029 | Pawl                     | 2            |
| 4        | 402 7058 | Starter housing           | 1            | 15       | 402 5030 | Pawl spring              | 2            |
| 5        | 402 5036 | Starter stop              | 1            | 16       | 402 5031 | Pawl spring stop         | 2            |
| 6        | 402 5037 | Countersunk screw M 5 x 8 | 2            | 17       | 402 5032 | Friction spring          | 1            |
| 7,8,9    | 402 5023 | Spring cartridge assy.    | 1            | 18       | 402 5033 | Cover washer             | 1            |
| 7        | 402 5022 | Rewind spring             | 1            | 19       | 402 5034 | Circlip                  | 1            |
| 8        | 402 5038 | Spring guide              | 1            | 20       | 402 5016 | Bolt 5 x 6, starter rope | 1            |
| 9        | 402 5044 | Cover, spring guide       | 1            | 21       | 402 5039 | Rubber buffer            | 1            |
| 10       | 402 5047 | Rope sheave               | 1            | 22       | 402 5052 | Starter rope 1350 MM     | 1            |
| 11       | 402 5026 | D-washer                  | 1            | 23       | 402 5019 | Starter grip             | 1            |



| ITEM NO. | PART NO. | DESCRIPTION                             | QUANTITY 399 | ITEM NO. | PART NO. | DESCRIPTION                                  | QUANTITY 399 |
|----------|----------|---|--------------|----------|----------|--|--------------|
| 1        | 402 4168 | Magneto Generator Ass'y. 12V. 75W.      | 1            | 26       | 402 4145 | Spark Plug BOSCH W240 T1                     | 2            |
| 2        | 402 4170 | Armature Plate Ass'y.                   |              | 27       | 402 4152 | Armature Plate Alone                         | 1            |
| 3        | 402 4167 | Magneto Ring                            | 1            | 28       | 402 4155 | Lighting Coil with Cables 550 MM             | 1            |
| 4        | 402 0015 | Lock Washer M6                          | 4            | 29       | 402 4176 | Faston Connector                             | 2            |
| 5        | 402 4148 | Cyl. Screw with Interior Hex. M6 x 10.5 | 4            | 30       | 402 4024 | Lock Washer M5                               | 4            |
| 6        | 402 4149 | Magneto Housing                         | 1            | 31       | 402 4048 | Cyl. Screw M5 x 28                           | 2            |
| 7        | 402 4096 | Spring, Centrifugal Weight              | 1            | 32       | 402 4151 | Generator Coil, Bottom, Right hand Winding   | 1            |
| 8        | 402 0146 | Centrifugal Weight                      | 1            | 33       | 402 4161 | Distance Sleeve                              | 2            |
| 9        | 402 4118 | Bearing Screw, Centrifugal Weight       | 1            | 34       | 402 4150 | Generator Coil, Top, Left Hand Winding       | 1            |
| 10       | 402 5050 | Stud M8 x 15                            | 3            | 35       | 402 4146 | Countersunk Screw M5 x 38                    | 2            |
| 11       | 402 0162 | V-Belt Pulley                           | 1            | 36       | 402 7049 | Hex. Nut M5                                  | 2            |
| 12       | 402 1158 | Locking Washer 8                        | 3            | 37       | 402 4068 | Condenser                                    | 2            |
| 13       | 402 0134 | Hex. Nut M8                             | 3            | 38       | 402 4164 | Cable, Condenser                             | 2            |
| 14       | 402 4122 | Cable Grommet                           | 1            | 39       | 402 4049 | Pivot Pin, Contact Breaker                   | 2            |
| 15       | 402 4158 | Cable Grommet                           | 1            | 40       | 402 4050 | Contact Points Set                           | 2            |
| 16       | 402 0168 | Rubber Sleeve 55 MM                     | 2            | 41       | 402 7016 | Parts Set, Armature Plate                    | 2            |
| 17       | 402 7008 | Ignition Coil                           | 2            | 42       | 402 4162 | Generator Cable Ass'y. Blue-Black, 610-80 MM | 2            |
| 18       | 402 4160 | Plastic Clamp, Cables                   | 1            | 43       | 402 4159 | Rubber Cap                                   | 2            |
| 19       | 402 4024 | Lock Washer 5                           | 5            | 44       | 402 4177 | Faston Connector                             | 2            |
| 20       | 402 7004 | Cyl. Screw M5 x 22                      |              | 45       | 402 4166 | Shorting Cable, Black, 215 MM with Pin       | 1            |
| 21       | 402 4153 | Mass Cable Ass'y. Yellow                | 1            | 46       | 402 4165 | Shorting Cable, Yellow, 290 MM with Pin      | 1            |
| 22       | 402 7003 | Protection Cap Ignition Coil            | 2            | 47       | 402 4141 | Lubricating Wick                             | 1            |
| 23       | 402 4154 | Ignition Cable 145 MM                   | 1            |          |          |  |              |
| 24       | 402 4154 | Ignition Cable 145 MM                   | 1            |          |          |  |              |
| 25       | 402 4076 | Spark Plug Protector                    | 2            |          |          |  |              |

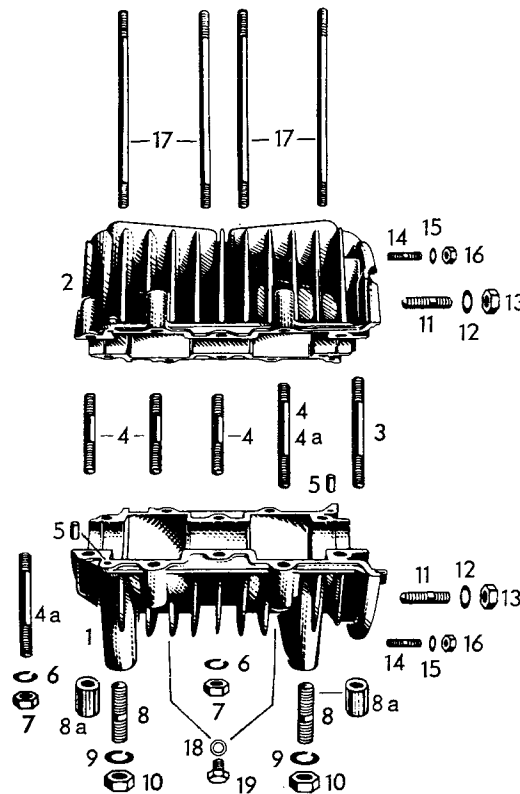


| ITEM NO.       | PART NO. | DESCRIPTION                     | QUANTITY<br>399 | ITEM NO. | PART NO. | DESCRIPTION                    | QUANTITY<br>399 |
|----------------|----------|---------------------------------|-----------------|----------|----------|--------------------------------|-----------------|
| 1,2,3,<br>5,6, | 402 8054 | Tool set assy.                  | 1               | 7        | 402 8001 | Remover, bearing (402 1142)    | 1               |
| 1              | 402 8046 | One-end wrench 11 MM            | 1               | 8        | 402 8044 | Pulley assy., flywheel         | 1               |
| 2              | 402 8049 | Angular wrench 10/13 MM         | 1               | 9        | 402 8045 | Wrench to hold magneto housing | 1               |
| 3              | 402 8039 | Bolt 8 x 130, socket wrench     | 1               | 10       | 402 8005 | Protection cap                 | 1               |
| 5              | 402 8048 | Socket wrench assy., spark plug |                 | 11       | 402 8055 | Puller assy., starter gear     | 1               |
| 6              | 402 8024 | Socket wrench 13 MM             | 1               | 12       | 402 8053 | Wrench to hold pulley halves   | 1               |

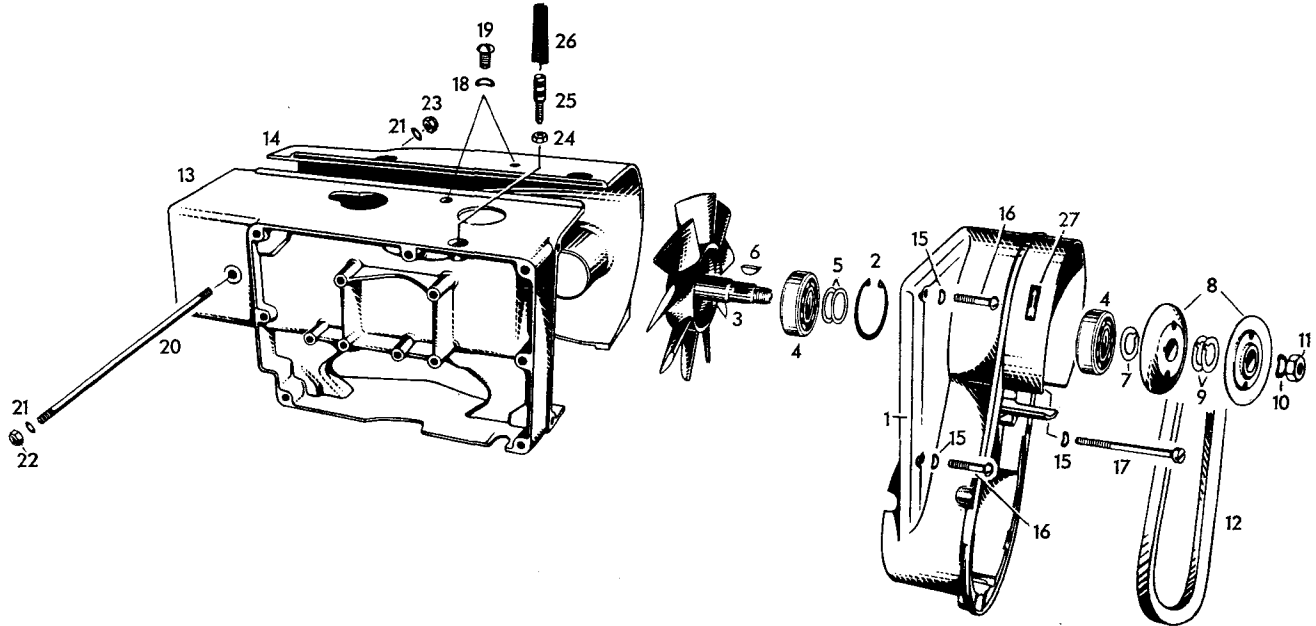
# ROTAX ENGINE

## 1969

669CC - MANUAL

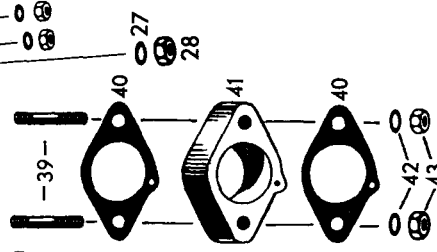
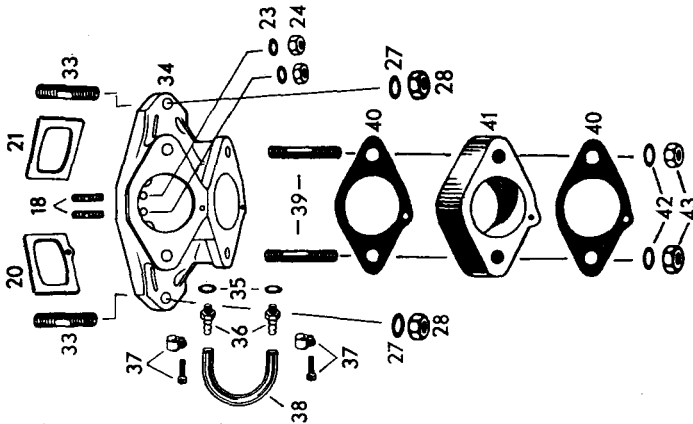
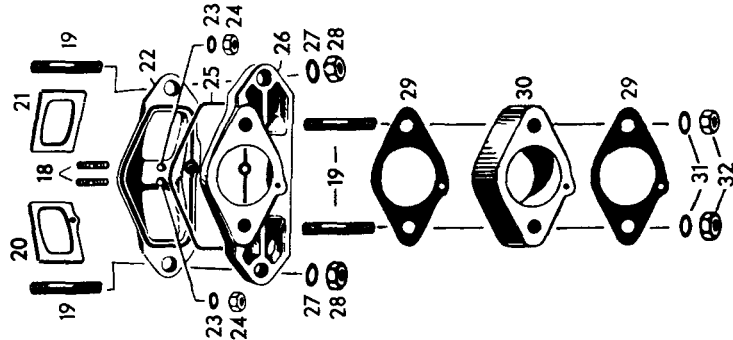
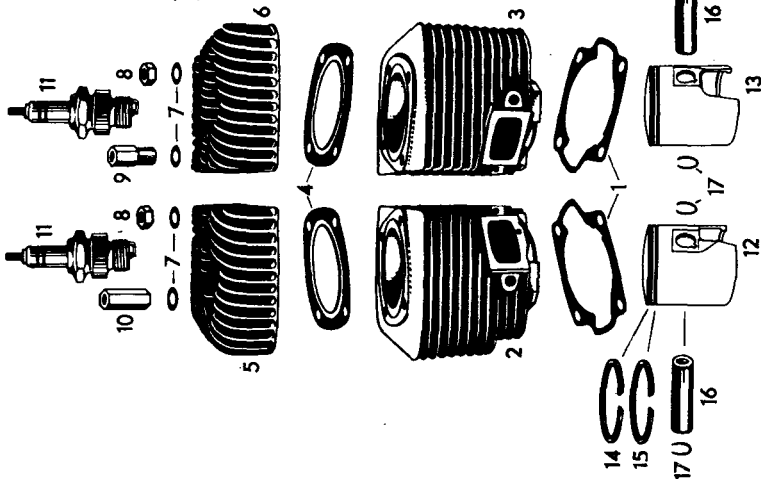
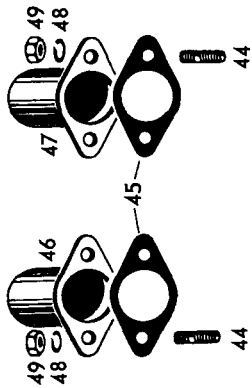
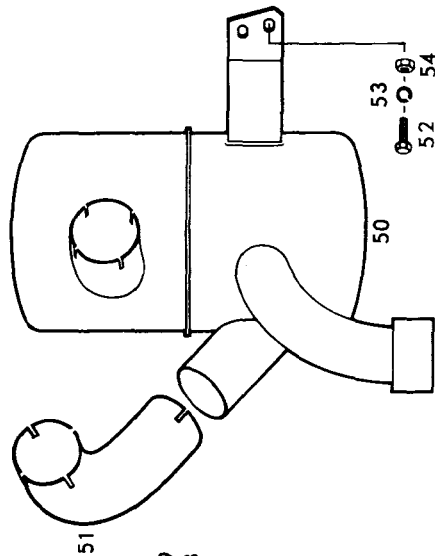


| ITEM NO.     | PART NO. | DESCRIPTION           | QUANTITY 669 | ITEM NO. | PART NO. | DESCRIPTION                     | QUANTITY 669 |
|--------------|----------|-----------------------|--------------|----------|----------|---------------------------------|--------------|
| 1,2,3,4,4A,5 | 402 0167 | Crankcase Assy.       | 1            | 11       | 402 0115 | Stud M 8 x 16, fan housing      | 4            |
| 3            | 402 0007 | Stud M 8 x 56         | 2            | 12       | 402 1158 | Locking washer 8                | 4            |
| 4            | 402 0123 | Stud M 8 x 37         | 9            | 13       | 402 0134 | Hex. nut M 8                    | 4            |
| 4A           | 402 0009 | Stud M 8 x 46         | 1            | 14       | 402 4117 | Stud M 5 x 11.5, armature plate | 2            |
| 5            | 402 0161 | Dowel pin 50-x 10     | 2            | 15       | 402 4133 | Washer 5.3                      | 2            |
| 6            | 402 0016 | Lock washer 8         | 12           | 16       | 402 0105 | Hex. stop nut M 5               | 2            |
| 7            | 402 0018 | Hex. nut M 8          | 12           | 17       | 402 0076 | Stud M 8, cylinder              | 8            |
| 8            | 402 0113 | Stud M 12 x 42.5      | 4            | 18       | 402 0019 | Sealing ring                    | 2            |
| 8A           | 402 0173 | Distance sleeve 22 MM | 4            | 19       | 402 0020 | Oil drain screw                 | 2            |
| 9            | 402 1038 | Lock washer 12        | 4            |          |          |                                 |              |
| 10           | 402 0117 | Hex. nut M 12         | 4            |          |          |                                 |              |

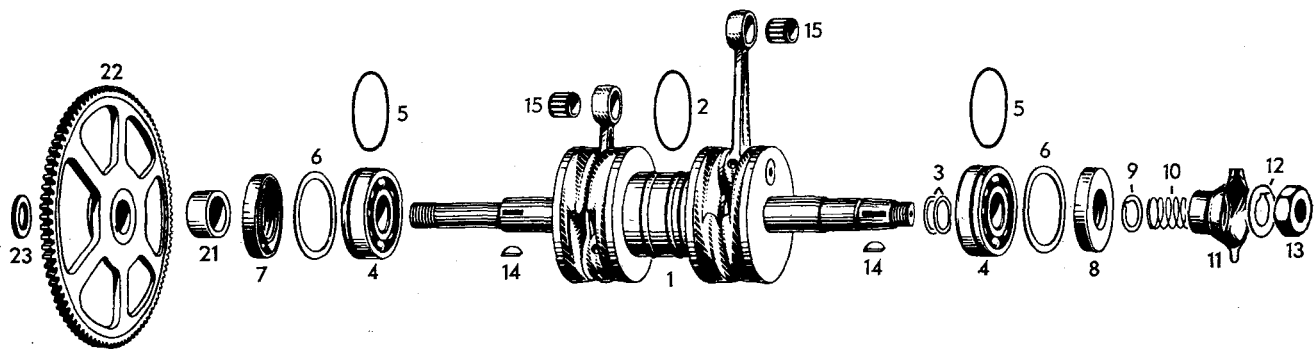


| ITEM NO. | PART NO. | DESCRIPTION          | QUANTITY 669 | ITEM NO. | PART NO. | DESCRIPTION                | QUANTITY 669 |
|----------|----------|----------------------|--------------|----------|----------|----------------------------|--------------|
| 1        | 402 0158 | Fan housing          | 1            | 15       | 402 0133 | Spring washer B 6          | 3            |
| 2        | 402 0118 | Locking ring         | 1            | 16       | 402 0151 | Flat head screw M 6 x 30   | 2            |
| 3        | 402 0126 | Fan with shaft assy. | 1            | 17       | 402 2125 | Cyl. screw M 6 x 80        | 1            |
| 4        | 402 0136 | Ball bearing         | 2            | 18       | 402 0125 | Spring washer B 8          | 2            |
| 5        | 402 1018 | Washer               | 2            | 19       | 402 0152 | Flat head screw 5/16 x 15  | 2            |
| 6        | 402 1009 | Woodruff key 3 x 5   | 1            | 20       | 402 2142 | Stud M 6 x 191             | 1            |
| 7        | 402 0129 | Shim                 | 1            | 21       | 402 4129 | Washer 6,2                 | 2            |
| 8        | 402 0163 | Pulley half          | 2            | 22       | 402 2169 | Locking nut M 6            | 1            |
| 9        | 402 0129 | Shim                 | 4            | 23       | 402 2104 | Lock nut M 6               | 1            |
| 10       | 402 1084 | Lock washer 14       | 1            | 25       | 402 0174 | Adjustment bolt, gas cable | 1            |
| 11       | 402 1086 | Hex. nut M 14 x 1,5  | 1            | 26       | 402 0138 | Support spring, gas cable  | 1            |
| 12       | 402 0121 | V-belt               | 1            | 27       | 402 0092 | Direction plate            | 1            |
| 13       | 402 0160 | Cylinder cowl, right | 1            |          |          |                            |              |
| 14       | 402 0159 | Cylinder cowl, left  | 1            |          |          |                            |              |

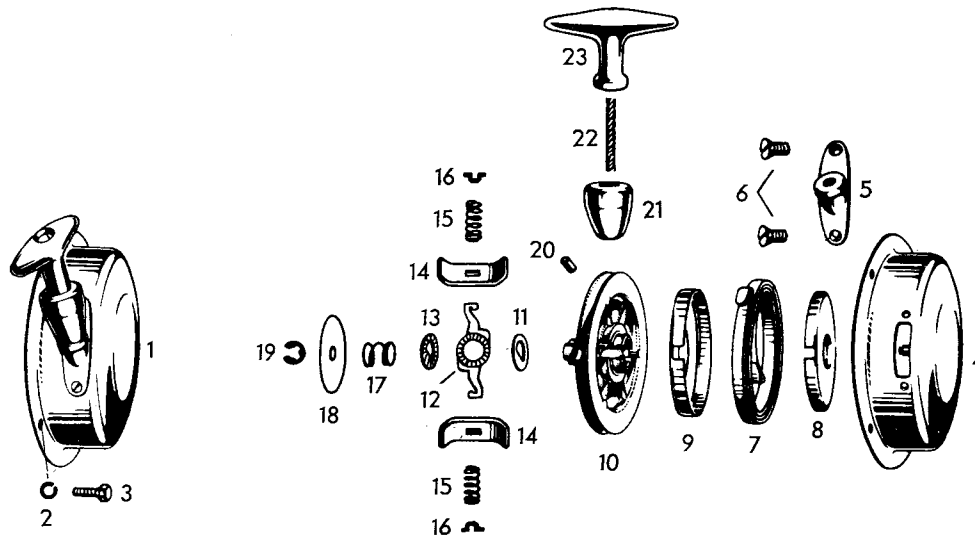




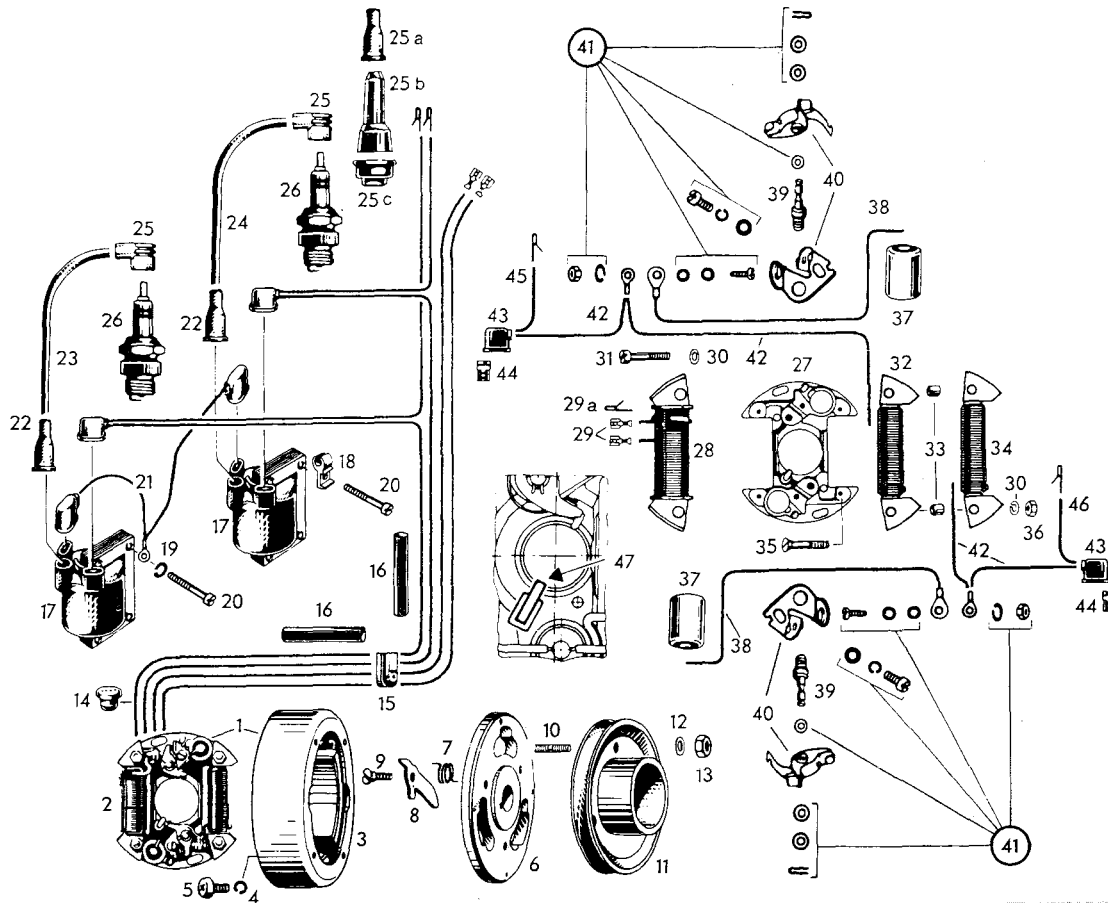
| ITEM NO. | PART NO. | DESCRIPTION                                    | QUANTITY<br>669 | ITEM NO. | PART NO. | DESCRIPTION                                 | QUANTITY<br>669 |
|----------|----------|--|-----------------|----------|----------|---|-----------------|
| 1        | 402 2137 | Gasket, Cylinder Flange                        | 2               | 28       | 402 2106 | Lock Nut M 8                                | 2               |
| 2        | 402 2184 | Cylinder with Sleeve,<br>P.T.O. Side           | 1               | 29       | 404 0212 | Flange Gasket                               | 2               |
| 3        | 402 2185 | Cylinder with Sleeve,<br>Magneto Side          | 1               | 30       | 402 2171 | Isolating Flange 20 MM. Thick               | 1               |
| 4        | 402 2101 | Gasket, Cylinder Head                          | 2               | 31       | 402 2072 | Isolating Washer                            | 2               |
| 5        | 402 2129 | Cylinder Head, P.T.O. Side                     | 1               | 32       | 402 0018 | Hex. Nut M 8                                | 2               |
| 6        | 402 2130 | Cylinder Head, Magneto Side                    | 1               | 33       | 402 2002 | Stud M 8 x 25                               | 2               |
| 7        | 402 0031 | Washer   | 8               | 34       | 402 2183 | Intake Manifold for 2 HD<br>Carburetors     | 1               |
| 8        | 402 0018 | Hex. Nut M 8                                   | 3               | 35       | 402 0064 | Sealing Washer                              | 2               |
| 9        | 402 2145 | Distance Nut M 8 - 5/16"                       | 4               | 36       | 402 0065 | Joint                                       | 2               |
| 10       | 402 2146 | Distance Nut M 8 - 1/8 NPT                     | 1               | 37       | 402 0063 | Clamp                                       | 2               |
| 11       | 402 4080 | Spark Plug Bosch M 280 T 31                    | 2               | 38       | 402 0066 | Impulse Line 120 MM.                        | 1               |
| 12-      | 402 1182 | Piston Ass'y. with rings,<br>78Ø, P.T.O. Side  | 1               | 39       | 402 2159 | Stud M 8 x 41                               | 4               |
| 14-15    | 402 1185 | Dto., 78, 5Ø, 1 st. Oversize                   | 1               | 40       | 404 0212 | Flange Gasket                               | 2               |
| 13-      | 402 1183 | Piston Ass'y. with Rings,<br>78Ø, Magneto Side | 1               | 41       | 402 2171 | Isolating Flange 20 MM. Thick               | 2               |
| 14-15    | 402 1184 | Dto., 78, 5Ø, 1st. Oversize                    | 1               | 42       | 402 2072 | Isolating Washer                            | 4               |
| 14       | 402 1169 | L-Ring 78Ø                                     | 2               | 43       | 402 0018 | Hex. Nut M 8                                | 4               |
| 15       | 402 1170 | L-Ring 78, 5Ø, 1st. Oversize                   | 2               | 44       | 402 2038 | Stud M 8 x 19                               | 4               |
|          | 402 1171 | Rectangular Ring 78Ø                           | 2               | 45       | 402 2100 | Gasket, Exhaust Flange                      | 2               |
|          | 402 1172 | Dto., 78, 5Ø, 1st. Oversize                    | 2               | 46       | 402 2113 | Exhaust Socket with Flange,<br>P.T.O. Side  | 1               |
| 16       | 402 1064 | Gudgeon Pin                                    | 2               | 47       | 402 2109 | Exhaust Socket with Flange,<br>Magneto Side | 1               |
| 17       | 402 1067 | Circlip, Gudgeon Pin                           | 4               | 48       | 402 0016 | Lock Washer 8                               | 4               |
| 18       | 402 2102 | Stud M 6 x 25                                  | 2               | 49       | 402 0018 | Hex. Nut M 8                                | 4               |
| 19       | 402 2159 | Stud M 8 x 41                                  | 4               | 50       | 402 2194 | Muffler Ass'y.                              | 1               |
| 20       | 402 2138 | Intake Gasket, P.T.O.<br>Side Cyl.             | 1               | 51       | 402 2195 | Inlet Elbow                                 | 1               |
| 21       | 402 2139 | Intake Gasket, Magneto Side<br>Cylinder        | 1               | 52       | 402 4127 | Hex. Screw M 6 x 20                         | 2               |
| 22       | 402 2150 | Intake Manifold                                | 1               | 53       | 402 0015 | Lock Washer 6                               | 2               |
| 23       | 402 2107 | Washer 6,2                                     | 2               | 54       | 402 2053 | Hex. Nut M 6                                | 2               |
| 24       | 402 2104 | Lock Nut M 6                                   | 2               | -        | 402 0178 | Stud M 12 x 26, Engine Base                 | 4               |
| 25       | 402 2140 | Ring Gasket                                    | 1               | -        | 402 0177 | Distance Sleeve 6 MM.,<br>Engine Base       | 4               |
| 26       | 402 2151 | Intake Cover                                   | 1               | -        | 402 1038 | Lock Washer 12                              | 4               |
|          |          |  |                 | -        | 402 0117 | Hex. Nut M 12                               | 4               |



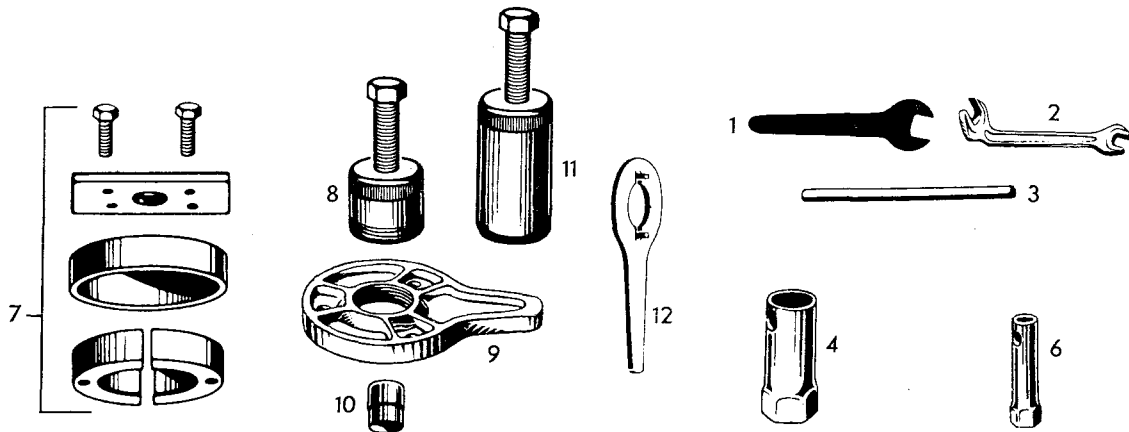
| ITEM NO. | PART NO. | DESCRIPTION      | QUANTITY 669 | ITEM NO. | PART NO. | DESCRIPTION   | QUANTITY 669 |
|----------|----------|------------------|--------------|----------|----------|---|--------------|
| 1, 2     | 402 1155 | Crankshaft assy. | 1            | 9        | 402 1026 | Washer, cam spring  | 1            |
| 2        | 402 1119 | O-ring           | 3            | 10       | 402 1036 | Spring, breaker cam   | 1            |
| 3        | 402 1112 | Shim 1, 0 MM     | As Req.      | 11       | 402 1156 | Breaker cam   | 1            |
| 3        | 402 1113 | Shim 0, 15 MM    | As Req.      | 12       | 402 1040 | Lock washer   | 1            |
| 3        | 402 1114 | Shim 0, 3 MM     | As Req.      | 13       | 402 1043 | Hex. nut M 18 x 1, 5  | 1            |
| 3        | 402 1115 | Shim 0, 2 MM     | As Req.      | 14       | 402 1010 | Woodruff key 5 x 6, 5   | 2            |
| 4        | 402 1139 | Ball bearing     | 2            | 15       | 402 1033 | Needle cage   | 2            |
| 5        | 402 1119 | O-ring           | 2            | 21       | 402 1144 | Distance sleeve 24 MM,<br>engine without electric<br>starter only | 1            |
| 6        | 402 1108 | Retaining disk   | 2            | 22       | 402 5051 | Starter gear 86 t.  | 1            |
| 7        | 402 1101 | Oil seal         | 1            |          |          |   |              |
| 8        | 402 1101 | Oil seal         | 1            |          |          |   |              |



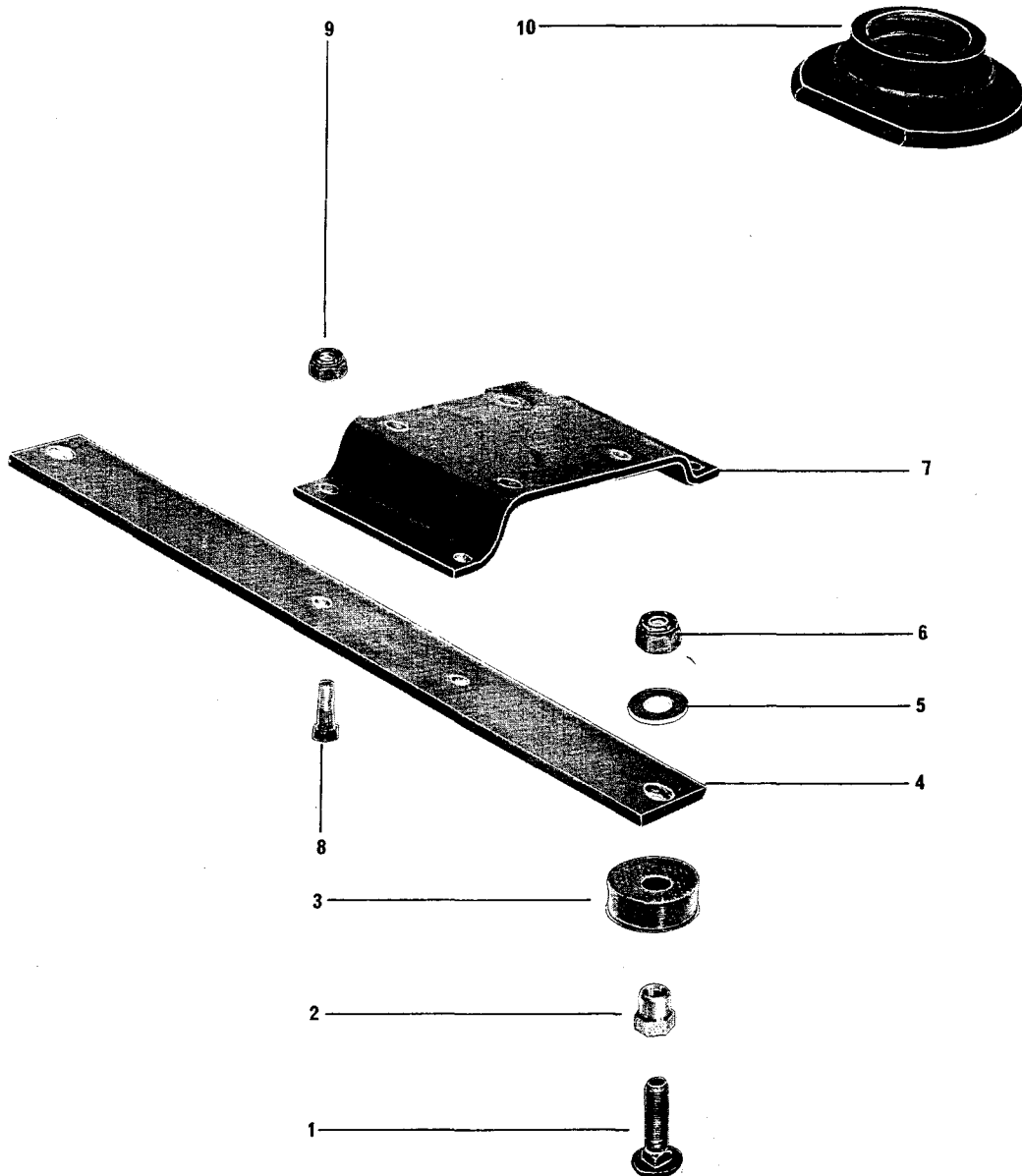
| ITEM NO. | PART NO. | DESCRIPTION               | QUANTITY 669 | ITEM NO. | PART NO. | DESCRIPTION              | QUANTITY 669 |
|----------|----------|---------------------------|--------------|----------|----------|--------------------------|--------------|
| 1        | 402 5046 | Rewind starter assy.      | 1            | 12       | 402 5028 | Pivot arm                | 1            |
| 2        | 402 0015 | Lock washer 6             | 4            | 13       | 402 5027 | Friction washer          | 1            |
| 3        | 402 5011 | Hex. screw M 6 x 15       | 4            | 14       | 402 5029 | Pawl                     | 2            |
| 4        | 402 7058 | Starter housing           | 1            | 15       | 402 5030 | Pawl spring              | 2            |
| 5        | 402 5036 | Starter stop              | 1            | 16       | 402 5031 | Pawl spring stop         | 2            |
| 6        | 402 5037 | Countersunk screw M 5 x 8 | 2            | 17       | 402 5032 | Friction spring          | 1            |
| 7,8,9,   | 402 5023 | Spring cartridge assy.    | 1            | 18       | 402 5033 | Cover washer             | 1            |
| 7        | 402 5022 | Rewind spring             | 1            | 19       | 402 5034 | Circlip                  | 1            |
| 8        | 402 5038 | Spring guide              | 1            | 20       | 402 5016 | Bolt 5 x 6, starter rope | 1            |
| 9        | 402 5044 | Cover, spring guide       | 1            | 21       | 402 5039 | Rubber buffer            | 1            |
| 10       | 402 5047 | Rope sheave               | 1            | 22       | 402 5052 | Starter rope 1350 MM     | 1            |
| 11       | 402 5026 | D-washer                  | 1            | 23       | 402 5019 | Starter grip             | 1            |



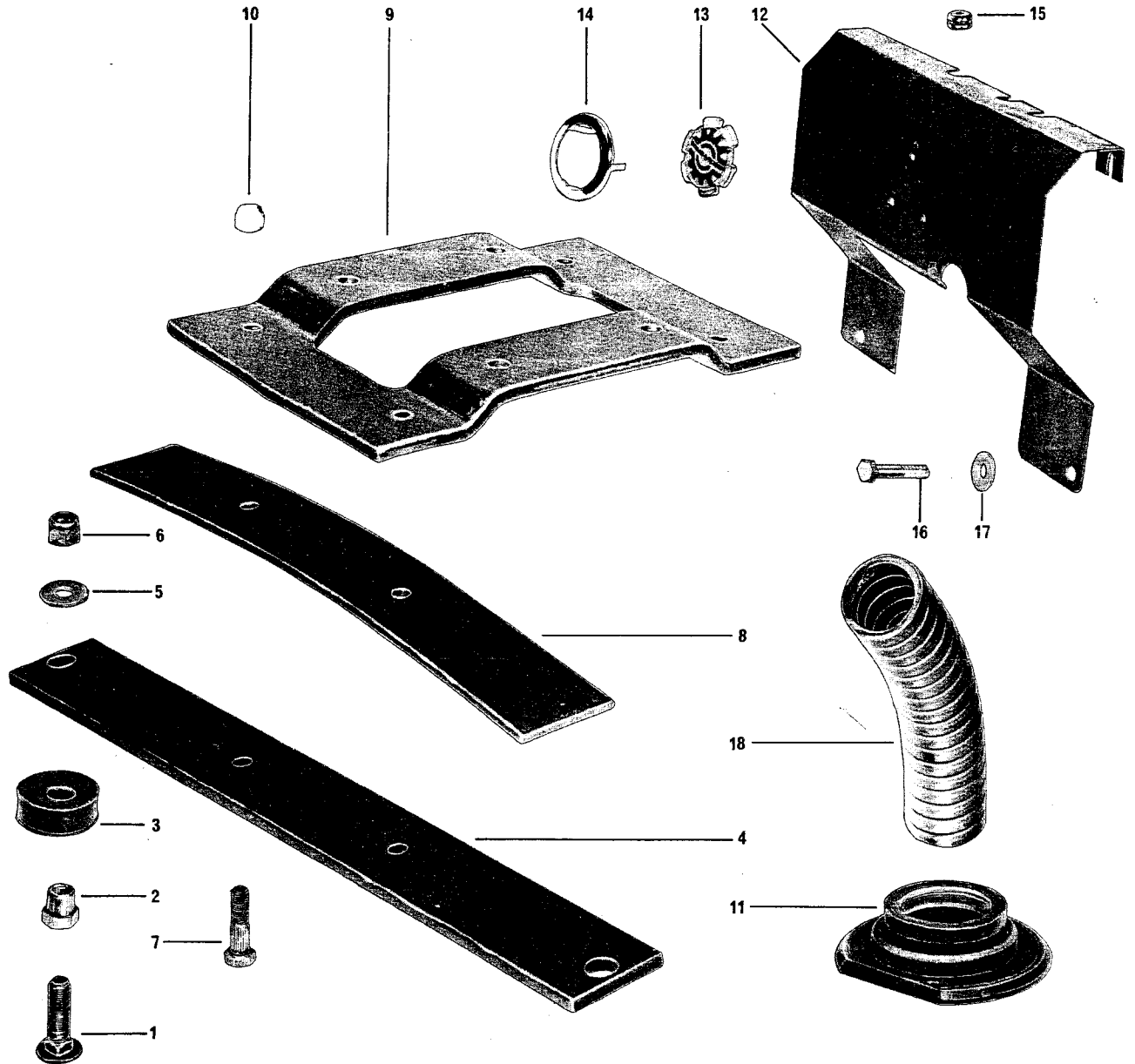
| ITEM NO. | PART NO. | DESCRIPTION                         | QUANTITY 669 | ITEM NO. | PART NO. | DESCRIPTION                                  | QUANTITY 669 |
|----------|----------|-------------------------------------|--------------|----------|----------|--|--------------|
| 1 + 16   | 402 4169 | Magneto generator assy. 12 V. 75 W. | 1            | 25C      | 402 4182 | Protection cap, spark plug                   | 2            |
| 2        | 402 4178 | Armature plate assy.                | 1            | 26       | 402 4080 | Spark plug M280 T31                          | 2            |
| 3        | 402 4167 | Magneto ring                        | 1            | 27       | 402 4152 | Armature plate alone                         | 1            |
| 4        | 402 0015 | Lock washer 6                       | 4            | 28       | 402 4155 | Lighting coil with cables 550 MM             | 1            |
| 5        | 402 4148 | Cyl. screw                          | 1            | 29A      | 402 4183 | Contact pin                                  | 2            |
| 6        | 402 4149 | Magneto housing                     | 1            | 30       | 402 4024 | Lock washer 5                                | 4            |
| 7        | 402 4096 | Spring, centrifugal weight          | 1            | 31       | 402 4048 | Cyl. screw M 5 x 28                          | 2            |
| 8        | 402 0146 | Centrifugal weight                  | 1            | 32       | 402 4151 | Generator coil, bottom, right hand winding   | 1            |
| 9        | 402 4118 | Bearing screw,                      | 1            | 33       | 402 4161 | Distance sleeve                              | 2            |
| 10       | 402 5050 | Stud M 8 x 15                       | 3            | 34       | 402 4150 | Generator coil, top, left hand winding       | 1            |
| 11       | 402 0162 | V-belt pulley                       | 1            | 35       | 402 4146 | Countersunk screw M5 x 38                    | 2            |
| 12       | 402 1158 | Locking washer 8                    | 3            | 36       | 402 7049 | Hex. nut M5                                  | 2            |
| 13       | 402 0134 | Hex. nut M 8                        | 3            | 37       | 402 4068 | Condenser                                    | 2            |
| 14       | 402 4122 | Cable grommet                       | 1            | 38       | 402 4164 | Cable, condenser                             | 2            |
| 15       | 402 4158 | Cable grommet                       | 1            | 39       | 402 4049 | Pivot pin, contact breaker                   | 2            |
| 16       | 402 0168 | Rubber sleeve 55 MM                 | 1            | 40       | 402 4050 | Contact points set                           | 2            |
| 17       | 402 7008 | Ignition coil                       | 2            | 41       | 402 7016 | Parts set, armature plate                    | 2            |
| 18       | 402 4160 | Plastic clamp, cables               | 1            | 42       | 402 4162 | Generator cable assy., blue-black, 610-80 MM | 2            |
| 19       | 402 4024 | Lock washer 5                       | 7            | 43       | 402 4159 | Rubber cap                                   | 2            |
| 20       | 402 7004 | Cyl. screw M 5 x 22,                | 1            | 44       | 402 4177 | Faston connector                             | 2            |
| 20       | 402 0175 | Cyl. screw M 5 x 12,                | 1            | 45       | 402 4166 | Shorting cable, black, 215 MM, with pin      | 1            |
| 21       | 402 7062 | Mass. cable assy. yellow, 80 MM     | 2            | 46       | 402 4155 | Shorting cable, yellow, 290 MM, with pin     | 1            |
| 22       | 402 7003 | Protection cap,                     | 1            | 47       | 402 4141 | Lubricating wick                             | 1            |
| 23       | 402 4075 | Ignition cable 200 MM               | 1            |          |          |  |              |
| 24       | 402 4075 | Ignition cable 200 MM               | 1            |          |          |  |              |
| 25A      | 402 7003 | Protection cap, cable               | 2            |          |          |  |              |
| 25B      | 402 7071 | Plug protector                      | 2            |          |          |  |              |



| ITEM NO.   | PART NO. | DESCRIPTION                 | QUANTITY | ITEM NO. | PART NO. | DESCRIPTION                    | QUANTITY |
|------------|----------|-----------------------------|----------|----------|----------|--------------------------------|----------|
|            |          |                             | 669      |          |          |                                | 669      |
| 1,2,3,4,6, | 402 8050 | Tool set assy.              | 1        | 7        | 402 8002 | Remover, bearing 832 010       | 1        |
| 1          | 402 8046 | One-end wrench 11 MM        | 1        | 8        | 402 8044 | Pulley assy. flywheel          | 1        |
| 2          | 402 8049 | Angular wrench 10/13 MM     | 1        | 9        | 402 8045 | Wrench to hold magneto housing | 1        |
| 3          | 402 8039 | Bolt 8 x 130, socket wrench | 1        | 10       | 402 8005 | Protection cap                 | 1        |
| 4          | 402 8022 | Socket wrench, spark plug   | 1        | 12       | 402 8053 | Wrench to hold pulley halves   | 1        |
| 6          | 402 8024 | Socket wrench 13 MM         | 1        | 11       | 402 8055 | Pulley assy. starter gear      | 1        |



| ITEM NO. | PART NO. | DESCRIPTION      | QUANTITY |        | ITEM NO. | PART NO. | DESCRIPTION     | QUANTITY |        |
|----------|----------|------------------|----------|--------|----------|----------|-----------------|----------|--------|
|          |          |                  | 12/3 SS  | 320 SS |          |          |                 | 12/3 SS  | 320 SS |
| 1        | 360 8007 | Carriage Bolt    | 4        | 4      | 6        | 386 6024 | Nut             | 4        | 4      |
| 2        | 512 0011 | Threaded Bushing | 4        | 4      | 7        | 512 0017 | Engine Bracket  | 1        | 1      |
| 3        | 570 1202 | Insulator Rubber | 4        | 4      | 8        | 309 8012 | Bolt w/Knurling | 4        | 4      |
| 4        | 512 0012 | Engine Support   | 2        |        | 9        | 306 6022 | Nut             | 4        | 4      |
| 4        | 512 0065 | Engine Support   |          | 2      | 10       | 570 1403 | Exhaust Grommet | 1        | 1      |
| 5        | 399 9006 | Flat Washer      | 4        | 4      |          |          |                 |          |        |

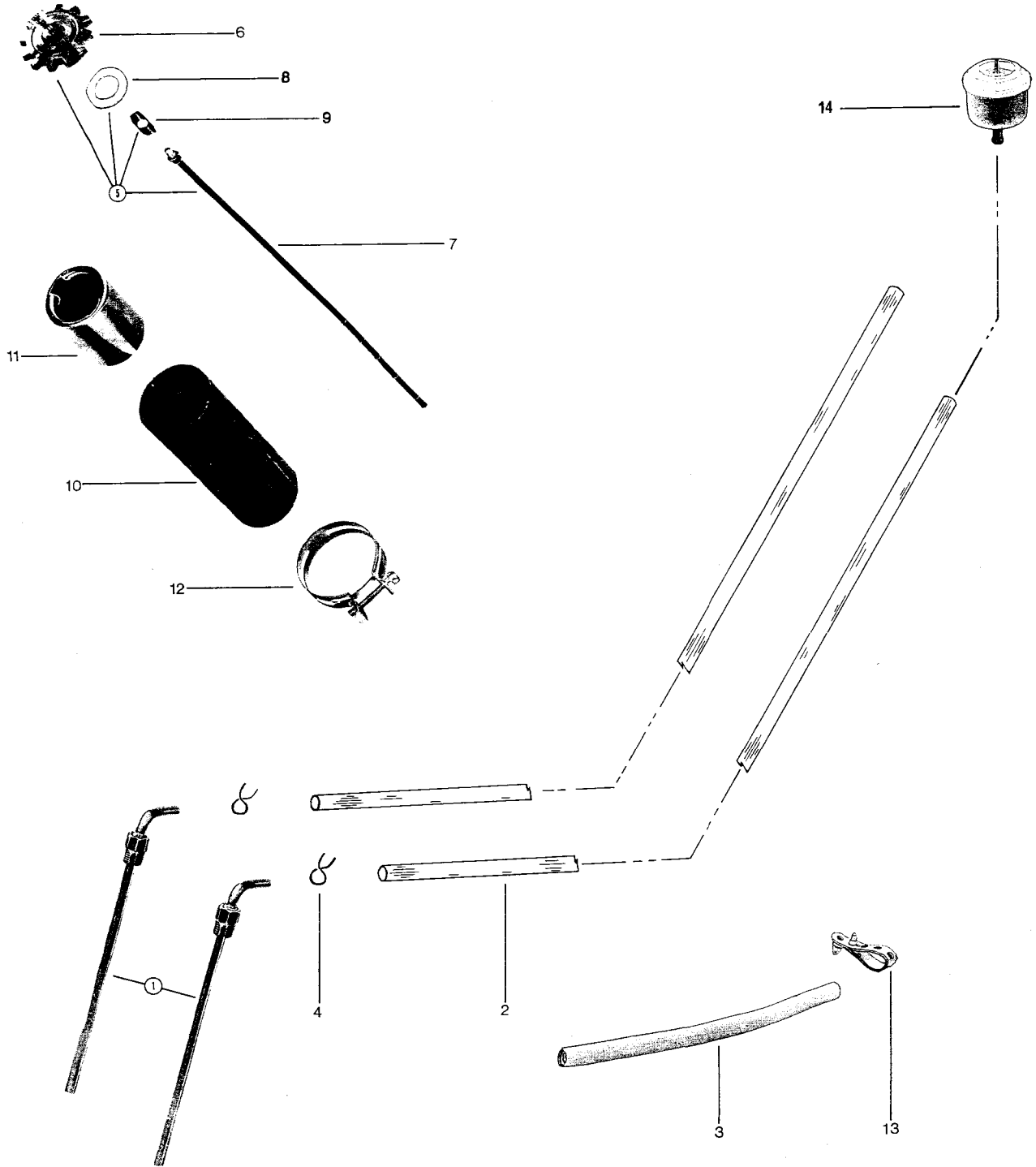


| ITEM NO. | PART NO. | DESCRIPTION        | QUANTITY |     | ITEM NO. | PART NO. | DESCRIPTION          | QUANTITY |     |
|----------|----------|--------------------|----------|-----|----------|----------|----------------------|----------|-----|
|          |          |                    | 399      | 669 |          |          |                      | 399      | 669 |
|          |          |                    | TNT      | TNT |          |          |                      | TNT      | TNT |
| 1        | 360 8007 | Bolt               | 4        |     | 10       | 386 6022 | Nut                  | 4        | 4   |
| 1        | 360 8010 | Bolt               |          | 4   | 11       | 570 1403 | Exhaust grommet      | 1        |     |
| 2        | 512 0011 | Threaded bushing   | 4        | 4   | 11       | 570 1404 | Exhaust grommet      |          | 1   |
| 3        | 570 1202 | Insulator rubber   | 4        | 4   | 12       | 512 0059 | Engine console       | 1        |     |
| 4        | 512 0046 | Engine support     | 2        |     | 12       | 512 0051 | Engine console       |          | 1   |
| 4        | 512 0053 | Engine support     |          | 2   | 13       | 414 0186 | Console crest        | 1        | 1   |
| 5        | 399 9006 | Flat washer        | 4        | 4   | 14       | 517 0123 | Crest retaining ring | 1        | 1   |
| 6        | 386 6024 | Nut                | 4        | 4   | 15       | 570 1503 | Grommet              | 2        | 2   |
| 7        | 309 8025 | Bolt W/knurling    | 4        | 6   | 16       | 300 7000 | Bolt                 | 4        |     |
| 8        | 512 0047 | Engine leaf spring | 2        |     | 16       | 300 5000 | Bolt                 |          | 4   |
| 8        | 512 0054 | Engine leaf spring |          | 2   | 17       | 399 9032 | Flat washer          | 4        |     |
| 9        | 512 0032 | Engine Bracket     | 1        |     | 17       | 399 9015 | Flat washer          |          | 4   |
| 9        | 512 0037 | Engine bracket     |          | 1   | 18       | 414 0349 | Exhaust pipe         | 1        |     |

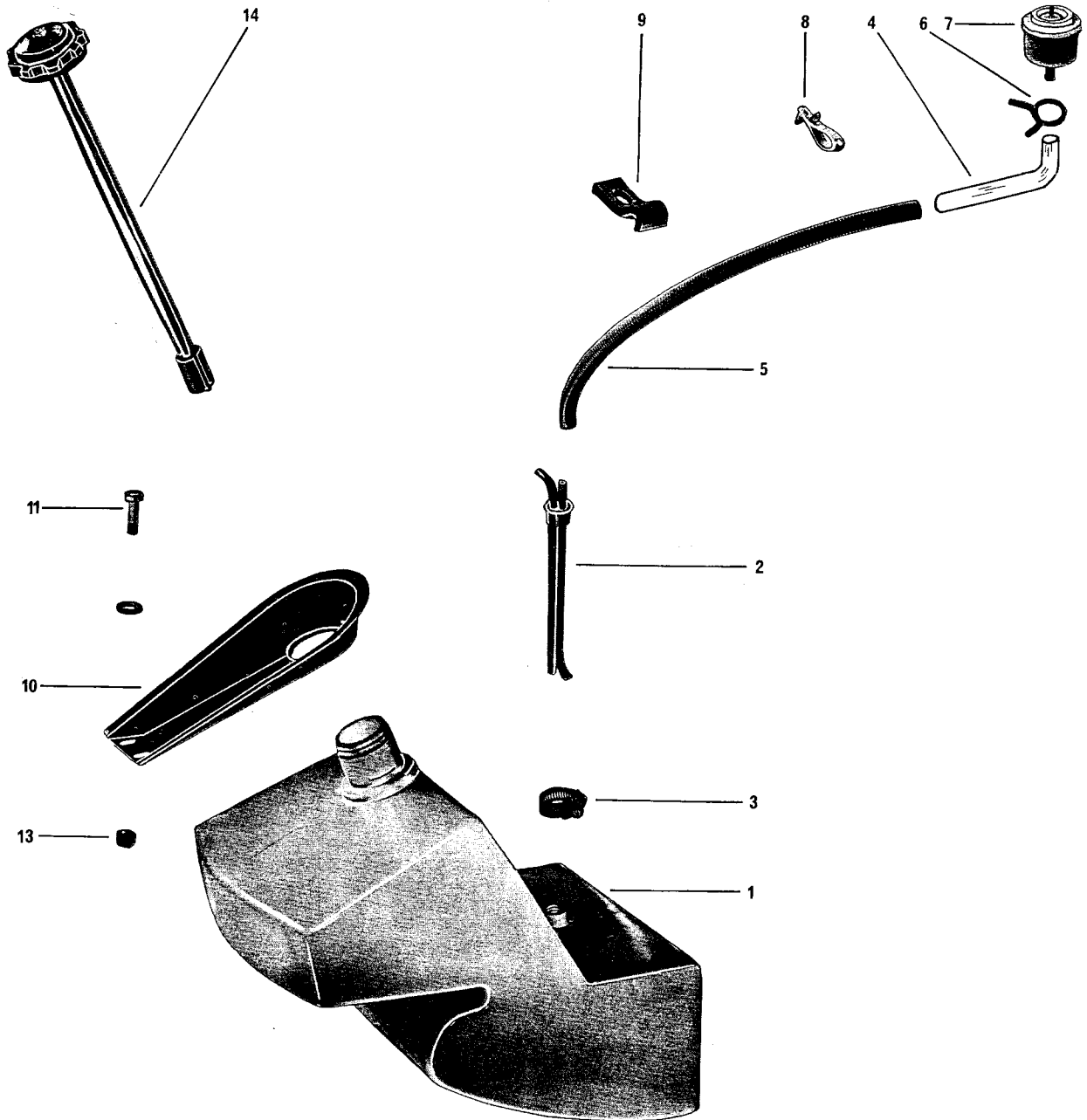


FUEL

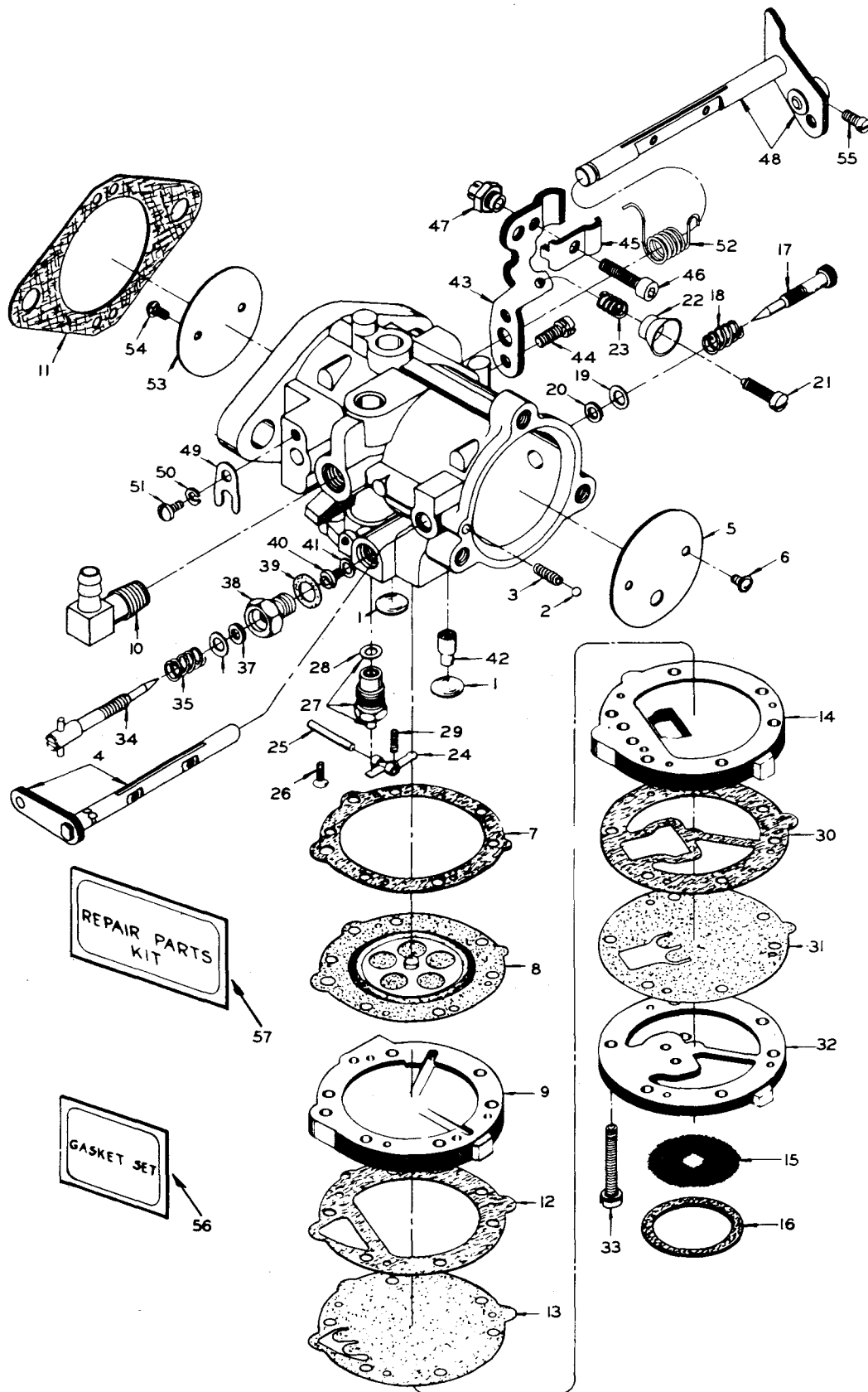
ESSENCE

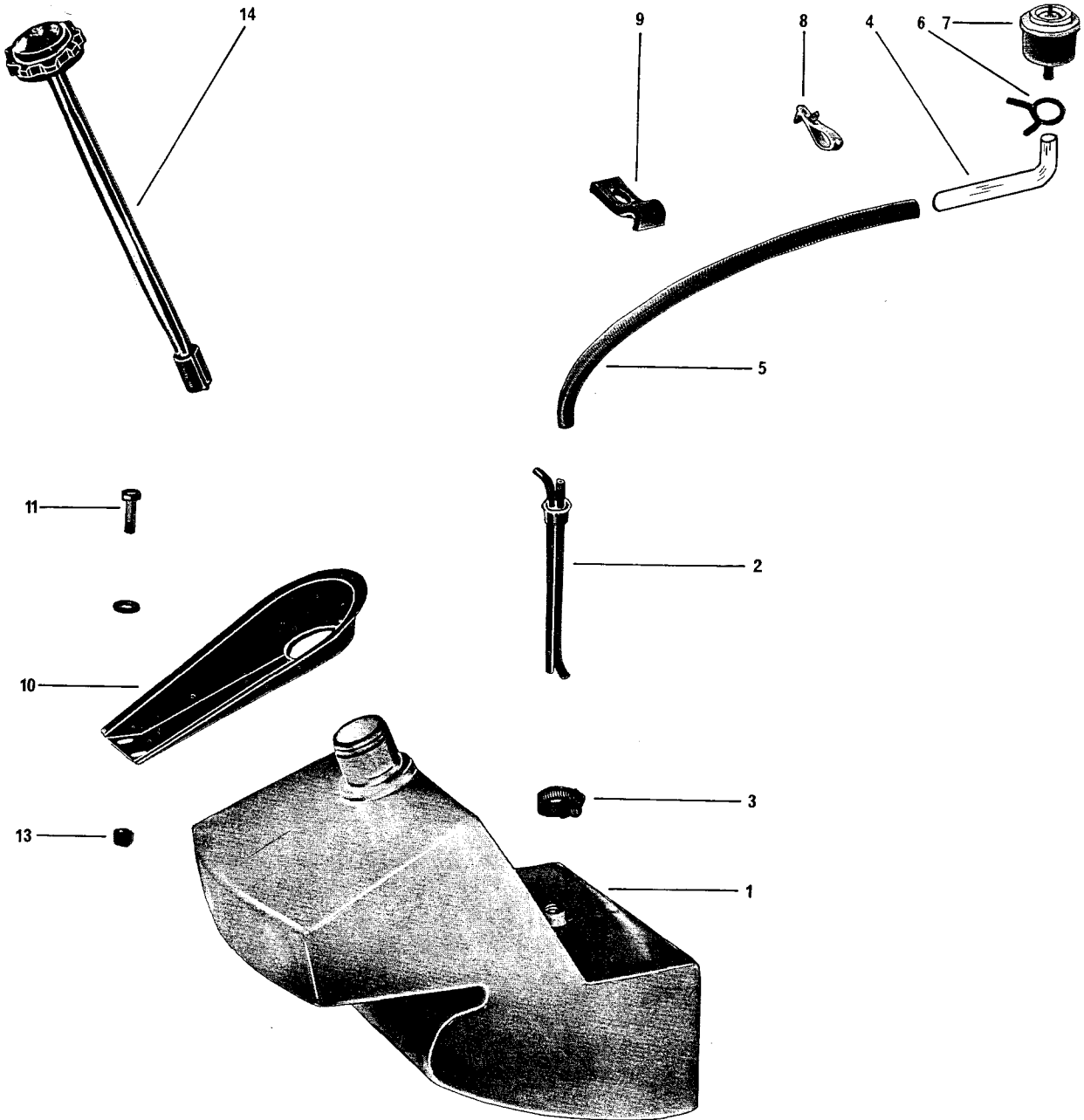


| ITEM NO. | PART NO. | DESCRIPTION                 | QUANTITY |        |         | ITEM NO. | PART NO. | DESCRIPTION           | QUANTITY |        |         |
|----------|----------|-----------------------------|----------|--------|---------|----------|----------|-----------------------|----------|--------|---------|
|          |          |                             | 12/3 SS  | 320 SS | 399 TNT |          |          |                       | 12/3 SS  | 320 SS | 399 TNT |
| 1        | 513 0035 | Fuel Line Adaptor           | 2        | 2      | 2       | 8        | 414 0293 | Gasket                | 1        | 1      | 1       |
| 2        | 414 0130 | Fuel Line (Mult. 12'')      | -        | -      | -       | 9        | 513 0047 | Spring                | 1        | 1      | 1       |
| 3        | 414 0178 | Isolating Line (Mult. 12'') | -        | -      | -       | 10       | 570 1302 | Filler Pipe Extension | 1        | 1      | 1       |
| 4        | 414 0128 | Hose Clamp                  | 4        | 4      | 4       | 11       | 513 0044 | Filler Neck           | 1        | 1      | 1       |
| 5        | 580 1051 | Fuel Tank Cap Ass'y.        | 1        | 1      | 1       | 12       | 408 8002 | Clamp                 | 2        | 2      | 2       |
| 6        | 414 0290 | Fuel Tank Cap               | 1        | 1      | 1       | 13       | 410 9031 | Plastic Strip         | 1        | 1      | 1       |
| 7        | 414 0249 | Fuel Tank Gauge             | 1        | 1      | 1       | 14       | 414 0112 | Fuel Filter           | 1        | 1      | 1       |

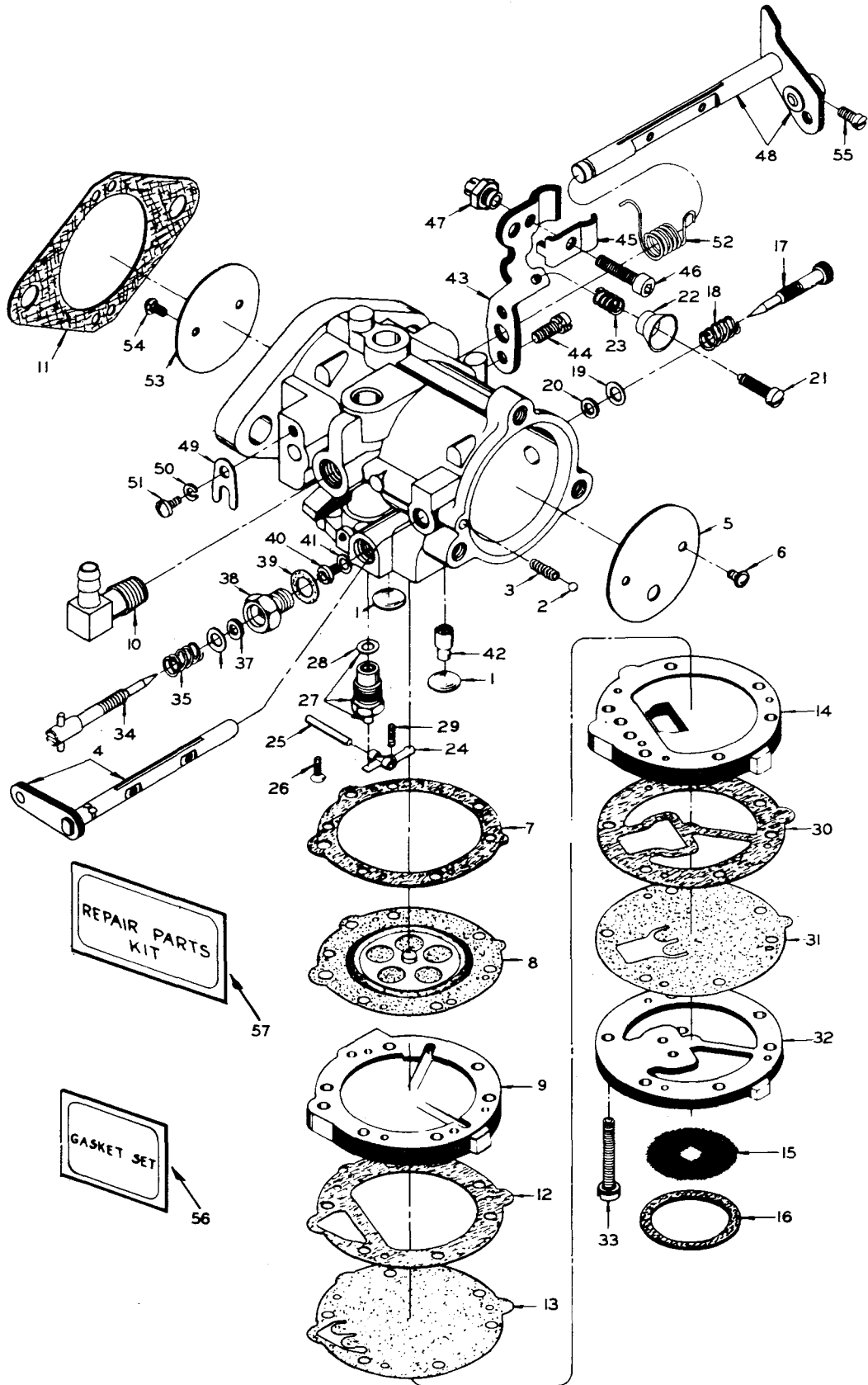


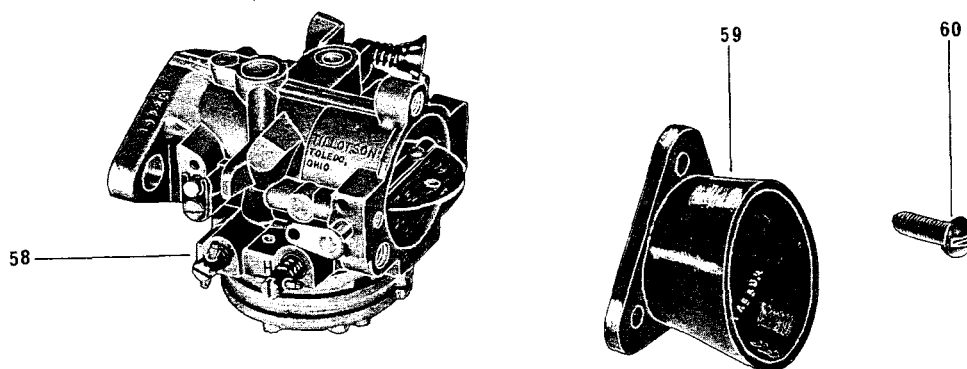
| ITEM NO. | PART NO. | DESCRIPTION                | QUANTITY | ITEM NO. | PART NO. | DESCRIPTION           | QUANTITY |
|----------|----------|----------------------------|----------|----------|----------|-----------------------|----------|
|          |          |                            | 669 TNT  |          |          |                       | 669 TNT  |
| 1        | 414 0135 | Fuel Tank                  | 1        | 8        | 114 0043 | Hose Tie              | 1        |
| 2        | 513 0046 | Fuel Line Adapter          | 1        | 9        | 513 0053 | Clip                  | 1        |
| 3        | 408 8004 | Gear Clamp                 | 1        | 10       | 517 0124 | Filler Neck Bib       | 1        |
| 4        | 414 0130 | Fuel Line (Mult. 12")      | -        | 11       | 320 1102 | Bolt                  | 2        |
| 5        | 414 0178 | Isolating Line (Mult. 12") | -        | 12       | 391 0021 | Flat Washer           | 2        |
| 6        | 414 0128 | Hose Clamp                 | 4        | 13       | 386 6019 | Nut                   | 2        |
| 7        | 414 0112 | Fuel Filter                | 1        | 14       | 414 0209 | Fuel Tank Cap w/Gauge | 1        |





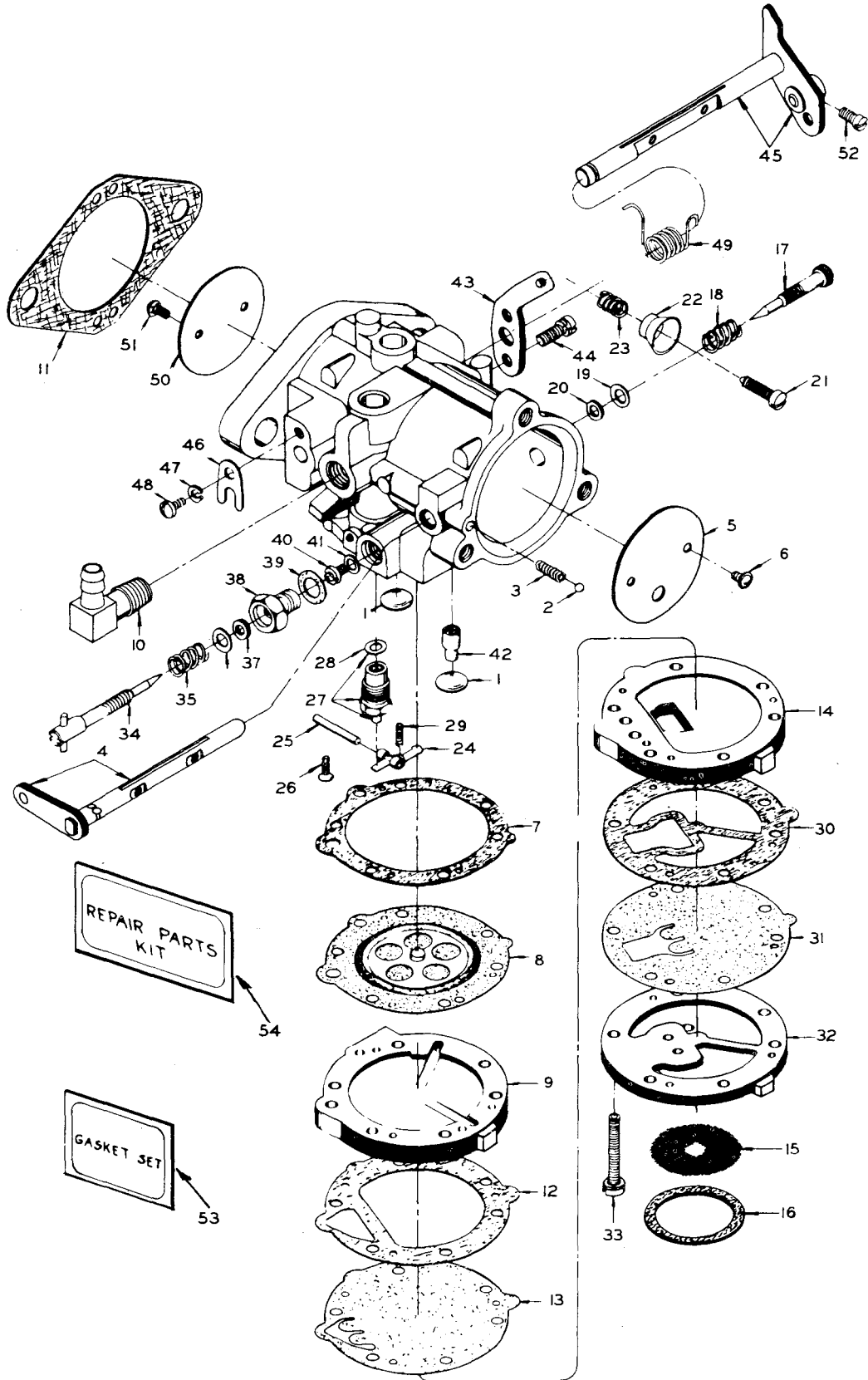
| ITEM NO. | PART NO. | DESCRIPTION                | QUANTITY | ITEM NO. | PART NO. | DESCRIPTION           | QUANTITY |
|----------|----------|----------------------------|----------|----------|----------|-----------------------|----------|
|          |          |                            | 669 TNT  |          |          |                       | 669 TNT  |
| 1        | 414 0135 | Fuel Tank                  | 1        | 8        | 114 0043 | Hose Tie              | 1        |
| 2        | 513 0046 | Fuel Line Adapter          | 1        | 9        | 513 0053 | Clip                  | 1        |
| 3        | 408 8004 | Gear Clamp                 | 1        | 10       | 517 0124 | Filler Neck Bib       | 1        |
| 4        | 414 0130 | Fuel Line (Mult. 12")      | —        | 11       | 320 1102 | Bolt                  | 2        |
| 5        | 414 0178 | Isolating Line (Mult. 12") | —        | 12       | 391 0021 | Flat Washer           | 2        |
| 6        | 414 0128 | Hose Clamp                 | 4        | 13       | 386 6019 | Nut                   | 2        |
| 7        | 414 0112 | Fuel Filter                | 1        | 14       | 414 0209 | Fuel Tank Cap w/Gauge | 1        |

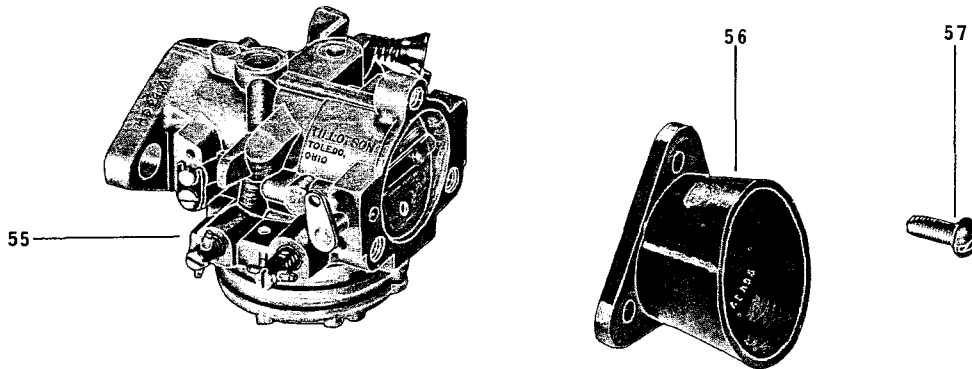




| ITEM NO. | PART NO. | DESCRIPTION                         | QUANTITY<br>669 TNT | ITEM | PART     | DESCRIPTION                           | QUANTITY<br>669 TNT |
|----------|----------|-------------------------------------|---------------------|------|----------|---------------------------------------|---------------------|
| 1        | 404 0011 | *Body Channel Welch Plug            | 2                   | 35   | 404 0147 | High Speed Mixture Screw Gland        | 1                   |
| 2        | 404 0013 | Choke Friction Ball                 | 1                   | 36   | 404 0144 | High Speed Mixture Screw Gland Gasket | 1                   |
| 3        | 404 0014 | Choke Friction Spring               | 1                   | 37   | 404 0063 | High Speed Mixture Screw Packing      | 1                   |
| 4        | 404 0210 | Choke Shaft & Lever                 | 1                   | 38   | 404 0068 | *High Speed Mixture Screw Spring      | 1                   |
| 5        | 404 0180 | Choke Shutter                       | 1                   | 39   | 404 0058 | High Speed Mixture Screw Washer       | 1                   |
| 6        | 404 0028 | Choke Shutter Screw                 | 2                   | 40   | 404 0227 | *Main Fuel Jet (.081)                 | 1                   |
| 7        | 404 0031 | Diaphragm Gasket                    | 1                   | 41   | 404 0174 | Main Fuel Jet Gasket                  | 1                   |
| 8        | 404 0033 | *Diaphragm                          | 1                   | 42   | 404 0089 | Nozzle Check Valve                    | 1                   |
| 9        | 404 0165 | Diaphragm Cover                     | 1                   | 43   | 404 0214 | Throttle Cable Bracket                | 1                   |
| 10       | 404 0211 | Elbow Connector Assembly            | 1                   | 44   | 404 0048 | Throttle Cable Bracket Ret. Screw     | 2                   |
| 11       | 404 0212 | Flange Gasket                       | 1                   | 45   | 404 0215 | Throttle Cable Clamp                  | 1                   |
| 12       | 404 0166 | Fuel Pump Gasket                    | 1                   | 46   | 404 0216 | Throttle Cable Clamp Ret. Screw       | 1                   |
| 13       | 404 0167 | *Fuel Pump Diaphragm                | 1                   | 47   | 404 0217 | Throttle Cable Clamp Ret. Nut         | 1                   |
| 14       | 404 0168 | Fuel Pump Body                      | 1                   | 48   | 404 0225 | Throttle Shaft & Lever                | 1                   |
| 15       | 404 0181 | *Fuel Strainer Screen               | 1                   | 49   | 404 0104 | Throttle Shaft Clip                   | 1                   |
| 16       | 404 0050 | Fuel Strainer Cover Gasket          | 1                   | 50   | 404 0105 | Throttle Shaft Clip Lockwasher        | 1                   |
| 17       | 404 0054 | *Idle Mixture Screw                 | 1                   | 51   | 404 0106 | Throttle Shaft Clip Ret. Screw        | 1                   |
| 18       | 404 0068 | *Idle Mixture Screw Spring          | 1                   | 52   | 404 0219 | *Throttle Shaft Return Spring         | 1                   |
| 19       | 404 0058 | Idle Mixture Screw Washer           | 1                   | 53   | 404 0116 | Throttle Shutter                      | 1                   |
| 20       | 404 0063 | Idle Mixture Screw Packing          | 1                   | 54   | 404 0028 | *Throttle Shutter Screw               | 2                   |
| 21       | 404 0064 | *Idle Speed Screw                   | 1                   | 55   | 404 0220 | *Throttle Wire Ret. Screw             | 1                   |
| 22       | 404 0158 | Idle Speed Screw Cup                | 1                   | 56   | 404 0221 | *Gasket Set                           | 1                   |
| 23       | 404 0067 | *Idle Speed Screw Spring            | 1                   | 57   | 404 0228 | Repair Parts Kit                      | 1                   |
| 24       | 404 0069 | *Inlet Control Lever                | 1                   | 58   | 403 0015 | Carburetor                            | 1                   |
| 25       | 404 0072 | *Inlet Control Lever Pin            | 1                   | 59   | 570 1208 | Intake Funnel                         | 1                   |
| 26       | 404 0073 | *Inlet Control Lever Pin Ret. Screw | 1                   | 60   | 321 7100 | Machine Screw                         | 3                   |
| 27       | 404 0169 | *Inlet Needle, Seat & Gasket        | 1                   |      |          |                                       |                     |
| 28       | 404 0080 | Inlet Seat Gasket                   | 1                   |      |          |                                       |                     |
| 29       | 404 0081 | *Inlet Tension Spring               | 1                   |      |          |                                       |                     |
| 30       | 404 0170 | Inlet Valve Gasket                  | 1                   |      |          |                                       |                     |
| 31       | 404 0171 | *Inlet Valve Diaphragm              | 1                   |      |          |                                       |                     |
| 32       | 404 0213 | Inlet Valve Body                    | 1                   |      |          |                                       |                     |
| 33       | 404 0173 | Inlet Valve Body Screw & Lockwasher | 6                   |      |          |                                       |                     |
| 34       | 404 0055 | *High Speed Mixture Screw           | 1                   |      |          |                                       |                     |

(\*) Indicates contents of Repair Parts Kit

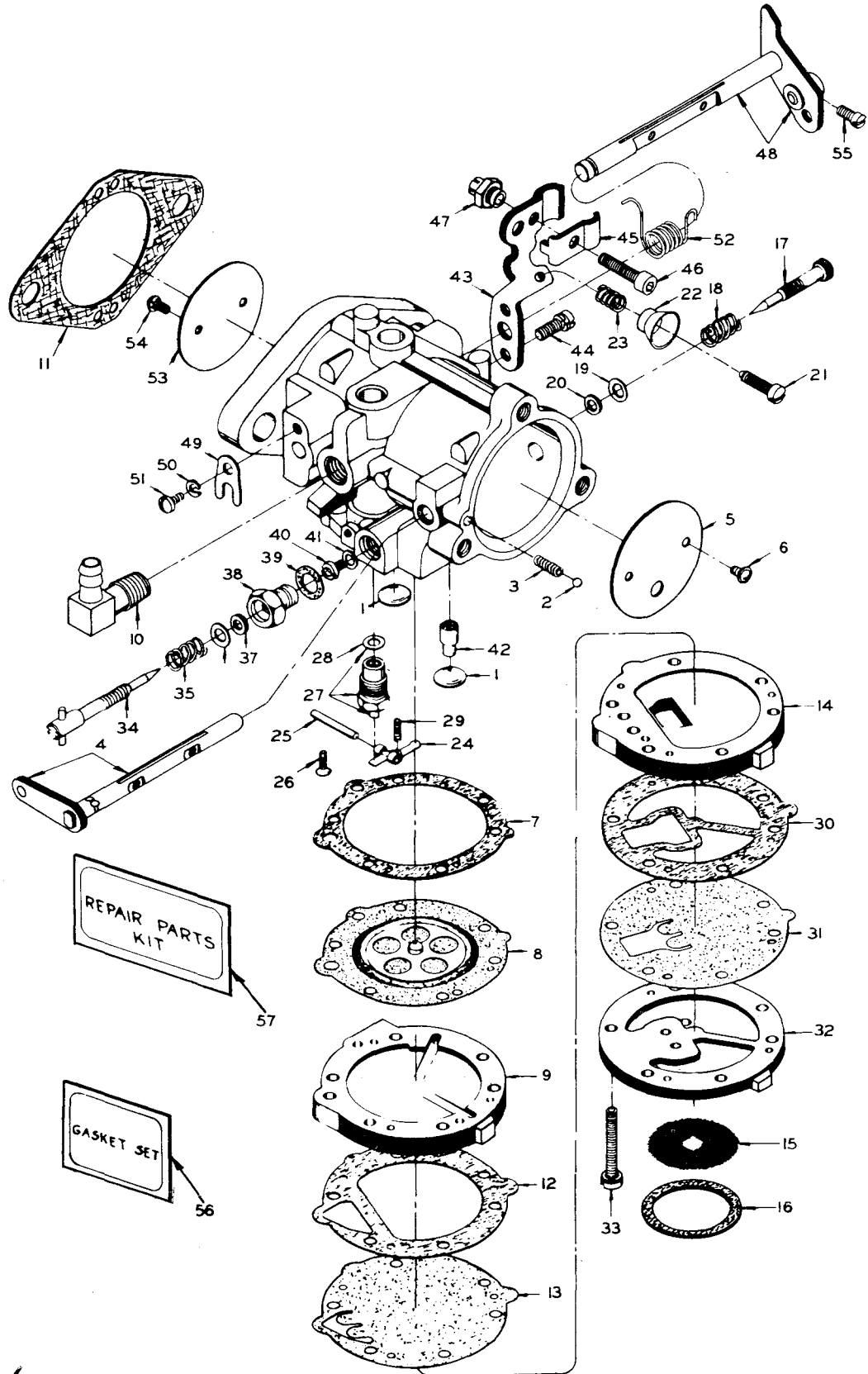


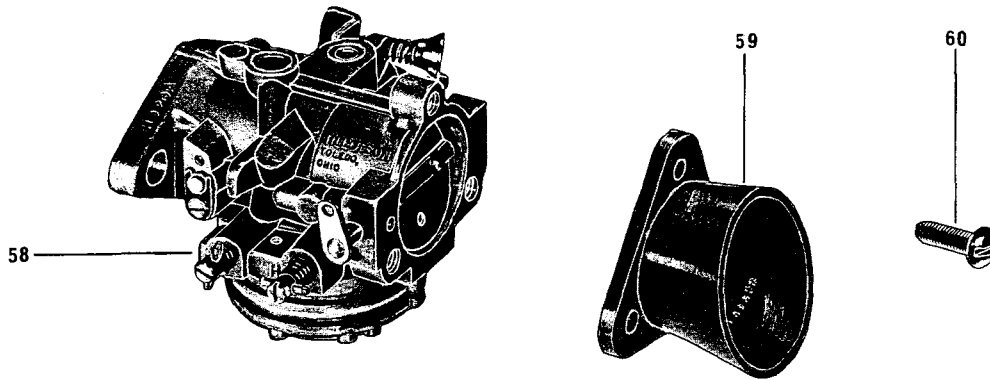


| ITEM NO. | PART NO. | DESCRIPTION                         | QUANTITY 669 TNT | ITEM NO. | PART NO. | DESCRIPTION                           | QUANTITY 669 TNT |
|----------|----------|-------------------------------------|------------------|----------|----------|---------------------------------------|------------------|
| 1        | 404 0011 | *Body channel welch plug            | 2                | 34       | 404 0055 | *High speed mixture screw             | 1                |
| 2        | 404 0013 | Choke friction ball                 | 1                | 35       | 404 0147 | High speed mixture screw gland        | 1                |
| 3        | 404 0014 | Choke friction spring               | 1                | 36       | 404 0144 | High speed mixture screw gland gasket | 1                |
| 4        | 404 0210 | Choke shaft & lever                 | 1                | 37       | 404 0063 | High speed mixture screw packing      | 1                |
| 5        | 404 0180 | Choke shutter                       | 1                | 38       | 404 0068 | *High speed mixture screw spring      | 1                |
| 6        | 404 0028 | Choke shutter screw                 | 2                | 39       | 404 0058 | High speed mixture screw washer       | 1                |
| 7        | 404 0081 | Diaphragm gasket                    | 1                | 40       | 404 0223 | *Main fuel jet (.1015)                | 1                |
| 8        | 404 0033 | *Diaphragm                          | 1                | 41       | 404 0174 | Main fuel jet gasket                  | 1                |
| 9        | 404 0165 | Diaphragm cover                     | 1                | 42       | 404 0089 | Nozzle check valve                    | 1                |
| 10       | 404 0211 | Elbow connector assembly            | 1                | 43       | 404 0224 | Throttle cable bracket                | 1                |
| 11       | 404 0212 | Flange gasket                       | 1                | 44       | 404 0048 | Throttle cable bracket ret. screw     | 2                |
| 12       | 404 0166 | Fuel pump gasket                    | 1                | 45       | 404 0225 | Throttle shaft & lever                | 1                |
| 13       | 404 0167 | *Fuel pump diaphragm                | 1                | 46       | 404 0104 | Throttle shaft clip                   | 1                |
| 14       | 404 0168 | Fuel pump body                      | 1                | 47       | 404 0105 | Throttle shaft clip lockwasher        | 1                |
| 15       | 404 0181 | *Fuel strainer screen               | 1                | 48       | 404 0106 | Throttle shaft clip ret. screw        | 1                |
| 16       | 404 0050 | Fuel strainer cover gasket          | 1                | 49       | 404 0219 | *Throttle shaft return spring         | 1                |
| 17       | 404 0054 | *Idle mixture screw                 | 1                | 50       | 404 0116 | Throttle shutter                      | 1                |
| 18       | 404 0068 | *Idle mixture screw spring          | 1                | 51       | 404 0028 | *Throttle shutter screw               | 2                |
| 19       | 404 0058 | Idle mixture screw washer           | 1                | 52       | 404 0220 | *Throttle wire ret. screw             | 1                |
| 20       | 404 0063 | Idle mixture screw packing          | 1                | 53       | 404 0221 | *Gasket set                           | 1                |
| 21       | 404 0064 | *Idle speed screw                   | 1                | 54       | 404 0226 | Repair parts kit                      | 1                |
| 22       | 404 0158 | Idle speed screw cup                | 1                | 55       | 403 0014 | Carburetor                            | 1                |
| 23       | 404 0067 | *Idle speed screw spring            | 1                | 56       | 570 1208 | Intake funnel                         | 1                |
| 24       | 404 0069 | *Inlet control lever                | 1                | 57       | 324 9100 | Machine screw                         | 3                |
| 25       | 404 0072 | *Inlet control lever pin            | 1                |          |          |                                       |                  |
| 26       | 404 0073 | *Inlet control lever pin ret. screw | 1                |          |          |                                       |                  |
| 27       | 404 0169 | *Inlet needle, seat & gasket        | 1                |          |          |                                       |                  |
| 28       | 404 0080 | Inlet seat gasket                   | 1                |          |          |                                       |                  |
| 29       | 404 0081 | *Inlet tension spring               | 1                |          |          |                                       |                  |
| 30       | 404 0170 | Inlet valve gasket                  | 1                |          |          |                                       |                  |
| 31       | 404 0171 | *Inlet valve diaphragm              | 1                |          |          |                                       |                  |
| 32       | 404 0213 | Inlet valve body                    | 1                |          |          |                                       |                  |
| 33       | 404 0173 | Inlet valve body screw & lockwasher | 6                |          |          |                                       |                  |

(\*) Indicates contents of repair parts kit.

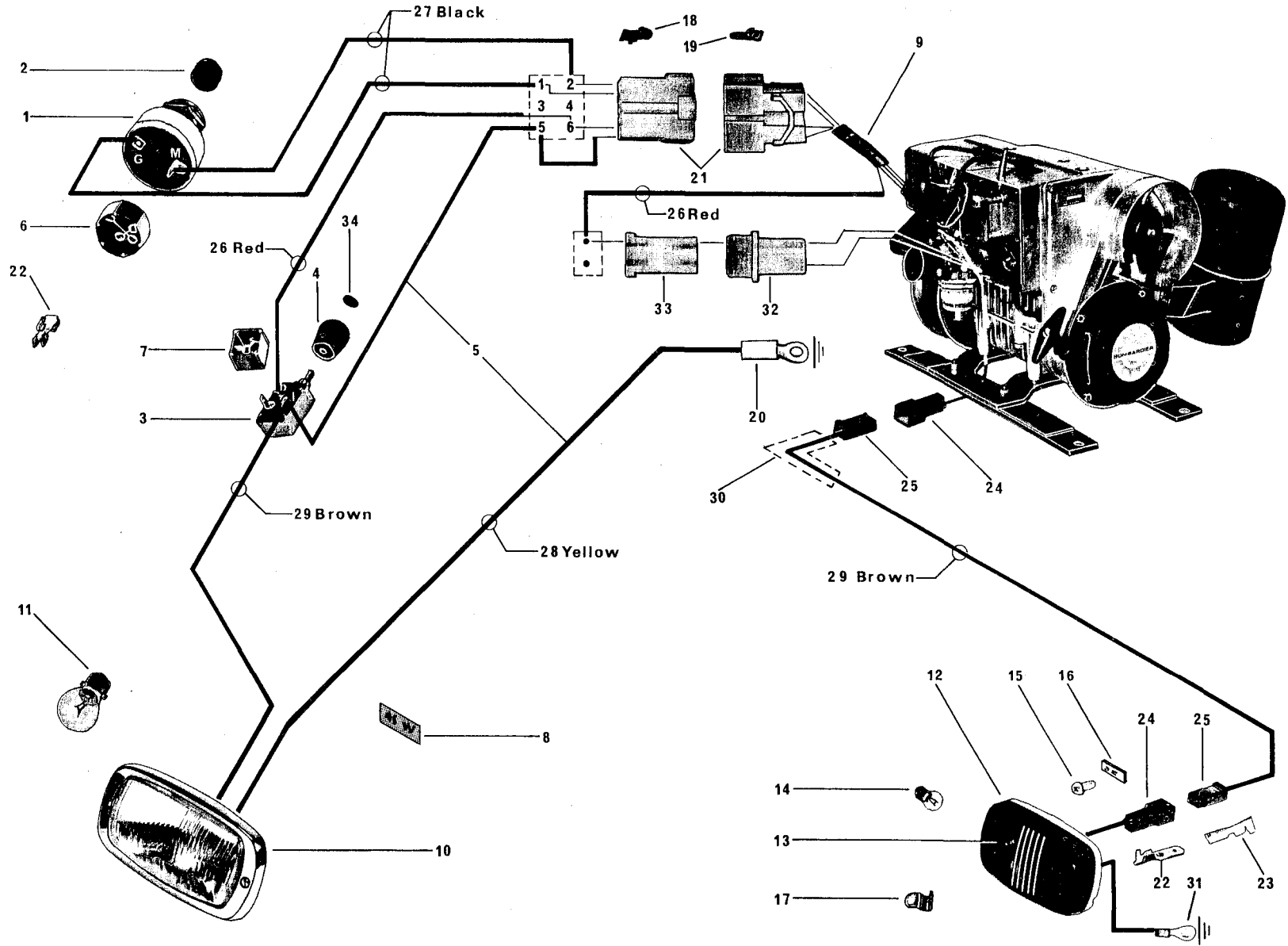






| ITEM NO. | PART NO. | DESCRIPTION                         | QUANTITY 669 INT | ITEM NO. | PART NO. | DESCRIPTION                           | QUANTITY 669 INT |
|----------|----------|-------------------------------------|------------------|----------|----------|---------------------------------------|------------------|
| 1        | 404 0011 | *Body Channel Welch Plug            | 2                | 36       | 404 0144 | High Speed Mixture Screw Gland Gasket | 1                |
| 2        | 404 0013 | Choke Friction Ball                 | 1                | 37       | 404 0063 | High Speed Mixture Screw Packing      | 1                |
| 3        | 404 0014 | Choke Friction Spring               | 1                | 38       | 404 0068 | *High Speed Mixture Screw Spring      | 1                |
| 4        | 404 0210 | Choke Shaft & Lever                 | 1                | 39       | 404 0058 | High Speed Mixture Screw Washer       | 1                |
| 5        | 404 0180 | Choke Shutter                       | 1                | 40       | 404 0179 | *Main Fuel Jet (.120)                 | 1                |
| 6        | 404 0028 | Choke Shutter Screw                 | 2                | 41       | 404 0174 | Main Fuel Jet Gasket                  | 1                |
| 7        | 404 0031 | Diaphragm Gasket                    | 1                | 42       | 404 0089 | Nozzle Check Valve                    | 1                |
| 8        | 404 0033 | *Diaphragm                          | 1                | 43       | 404 0214 | Throttle Cable Bracket                | 1                |
| 9        | 404 0165 | Diaphragm Cover                     | 1                | 44       | 404 0048 | Throttle Cable Bracket Ret. Screw     | 2                |
| 10       | 404 0211 | Elbow Connector Assembly            | 1                | 45       | 404 0215 | Throttle Cable Clamp                  | 1                |
| 11       | 404 0212 | Flange Gasket                       | 1                | 46       | 404 0216 | Throttle Cable Clamp Ret. Screw       | 1                |
| 12       | 404 0166 | Fuel Pump Gasket                    | 1                | 47       | 404 0217 | Throttle Cable Clamp Ret. Nut         | 1                |
| 13       | 404 0167 | *Fuel Pump Diaphragm                | 1                | 48       | 404 0218 | Throttle Shaft & Lever                | 1                |
| 14       | 404 0168 | Fuel Pump Body                      | 1                | 49       | 404 0104 | Throttle Shaft Clip                   | 1                |
| 15       | 404 0181 | *Fuel Strainer Screen               | 1                | 50       | 404 0105 | Throttle Shaft Clip Lockwasher        | 1                |
| 16       | 404 0050 | Fuel Strainer Cover Gasket          | 1                | 51       | 404 0106 | Throttle Shaft Clip Ret. Screw        | 1                |
| 17       | 404 0054 | *Idle Mixture Screw                 | 1                | 52       | 404 0219 | *Throttle Shaft Return Spring         | 1                |
| 18       | 404 0068 | *Idle Mixture Screw Spring          | 1                | 53       | 404 0116 | Throttle Shutter                      | 1                |
| 19       | 404 0058 | Idle Mixture Screw Washer           | 1                | 54       | 404 0028 | *Throttle Shutter Screw               | 2                |
| 20       | 404 0063 | Idle Mixture Screw Packing          | 1                | 55       | 404 0220 | *Throttle Wire Ret. Screw             | 1                |
| 21       | 404 0064 | Idle Speed Screw                    | 1                | 56       | 404 0221 | *Gasket Set                           | 1                |
| 22       | 404 0158 | Idle Speed Screw Cup                | 1                | 57       | 404 0222 | Repair Parts Kit                      | 1                |
| 23       | 404 0067 | *Idle Speed Screw Spring            | 1                | 58       | 403 0013 | Carburetor                            | 1                |
| 24       | 404 0069 | *Inlet Control Lever                | 1                | 59       | 570 1208 | Intake Funnel                         | 1                |
| 25       | 404 0072 | *Inlet Control Lever Pin            | 1                | 60       | 324 9100 | Machine Screw                         | 3                |
| 26       | 404 0073 | *Inlet Control Lever Pin Ret. Screw | 1                |          |          |                                       |                  |
| 27       | 404 0169 | *Inlet Needle, Seat & Gasket        | 1                |          |          |                                       |                  |
| 28       | 404 0080 | Inlet Seat Gasket                   | 1                |          |          |                                       |                  |
| 29       | 404 0081 | *Inlet Tension Spring               | 1                |          |          |                                       |                  |
| 30       | 404 0170 | Inlet Valve Gasket                  | 1                |          |          |                                       |                  |
| 31       | 404 0171 | *Inlet Valve Diaphragm              | 1                |          |          |                                       |                  |
| 32       | 404 0213 | Inlet Valve Body                    | 1                |          |          |                                       |                  |
| 33       | 404 0173 | Inlet Valve Body Screw & Lockwasher | 6                |          |          |                                       |                  |
| 34       | 404 0055 | *High Speed Mixture Screw           | 1                |          |          |                                       |                  |
| 35       | 404 0147 | High Speed Mixture Screw Gland      | 1                |          |          |                                       |                  |

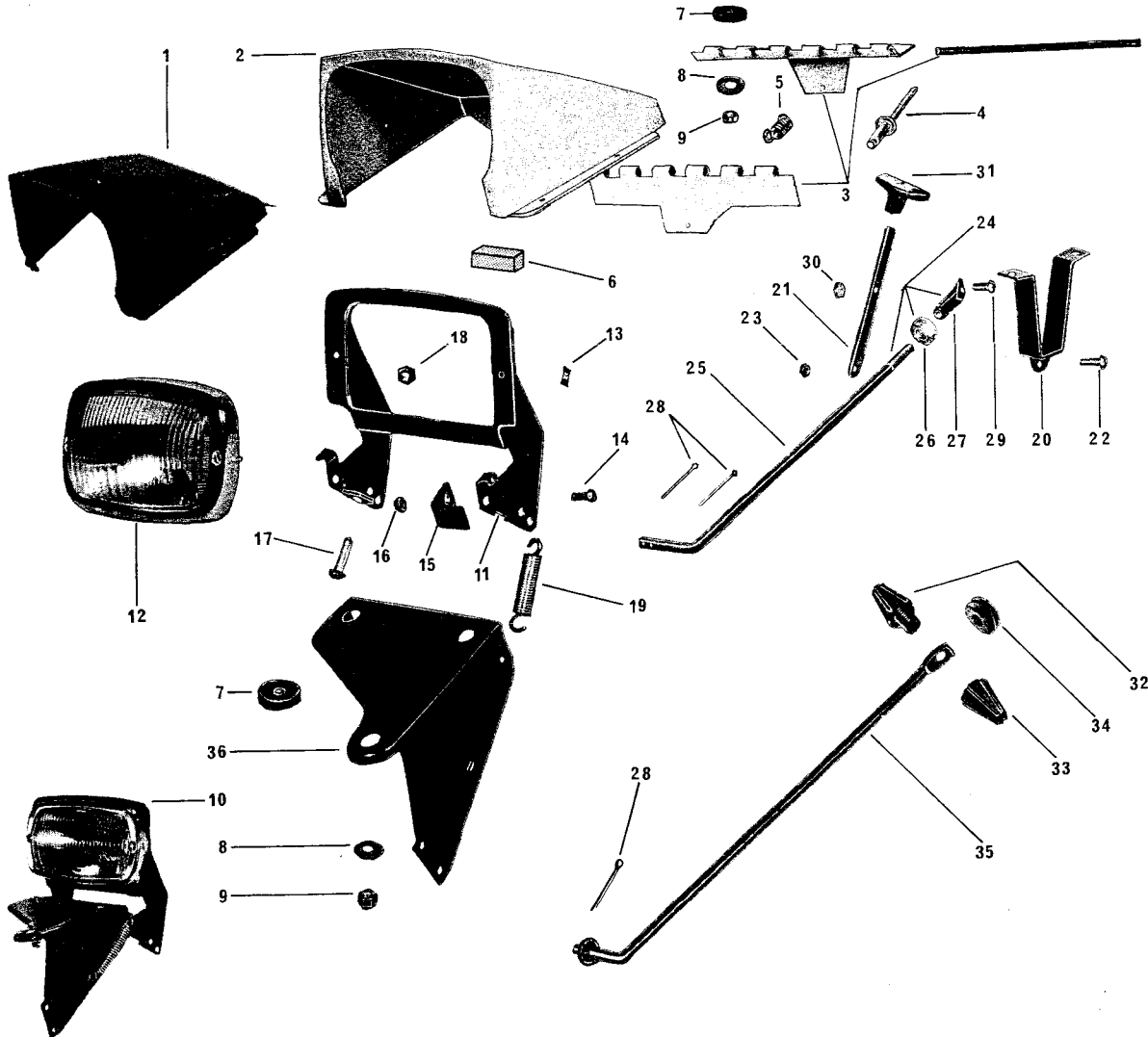
(\*) Indicates contents of Repair Parts Kit



| ITEM NO. | PART NO. | DESCRIPTION                | QUANTITY |     |     |     | ITEM NO. | PART NO. | DESCRIPTION                     | QUANTITY |     |     |     |
|----------|----------|----------------------------|----------|-----|-----|-----|----------|----------|---------------------------------|----------|-----|-----|-----|
|          |          |                            | 12/3     | 320 | 399 | 699 |          |          |                                 | 12/3     | 320 | 399 | 699 |
| 1        | 410 1006 | Ignition Switch            | 1        | 1   | 1   | 1   | 19       | 409 0005 | Pin Contactor                   | 4        | 4   | 6   | 6   |
| 2        | 670 1503 | Ignition Switch Boot       | 1        | 1   | 1   | 1   | 20       | 409 0019 | Open Barrel                     |          |     | 1   | 1   |
| 3        | 410 1004 | Headlight Switch           | 1        | 1   | 1   | 1   | 21       | 409 2017 | Pin & Socket Connector (6 Cir.) | 1        | 1   | 1   | 1   |
| 4        | 414 0251 | Headlight Switch Knob      | 1        | 1   | 1   | 1   | 22       | 409 2014 | Receptacle                      | 6        | 6   | 5   | 5   |
| 5        | 581 1033 | Harness Ass'y. w/Block     | 1        | 1   |     |     | 23       | 409 2010 | Tab                             | 2        | 2   | 1   | 1   |
| 5        | 581 0203 | Harness Ass'y. w/Block     |          |     | 1   |     | 24       | 409 2013 | Tab Housing (1 Cir.)            | 2        | 2   | 1   | 1   |
| 5        | 580 0223 | Harness Ass'y. w/Block     |          |     |     | 1   | 25       | 409 2012 | Receptacle Housing (1 Cir.)     | 2        | 2   | 1   | 1   |
| 6        | 410 9033 | Ignition Switch Block      | 1        | 1   | 1   | 1   | 26       | 409 6011 | Wire Red (Mult. 12'')           | -        | -   | -   | -   |
| 7        | 410 9035 | Headlight Switch Block     | 1        | 1   | 1   | 1   | 27       | 409 6012 | Wire Black (Mult. 12'')         | -        | -   | -   | -   |
| 8        | 414 0280 | Label 35 W.                | 1        | 1   |     |     | 28       | 409 6013 | Wire Yellow (Mult. 12'')        | -        | -   | -   | -   |
| 8        | 414 0281 | Label 45 W.                |          |     | 1   | 1   | 29       | 409 6014 | Wire Brown (Mult. 12'')         | -        | -   | -   | -   |
| 9        | 410 9040 | Spirap Tubing (Mult. 12'') | -        | -   | -   | -   | 30       | 409 9001 | Housing 3/16 Ø (Mult. 12'')     | -        | -   | -   | -   |
| 10       | 410 6010 | Projector                  | 1        | 1   | 1   | 1   | 31       | 409 0018 | Open Barrel                     | 1        | 1   |     |     |
| 11       | 410 5009 | Bulb 35 W.                 | 1        | 1   |     |     | 32       | 409 2015 | Tab Housing (2 Cir.)            |          |     | 1   | 1   |
| 11       | 410 5008 | Bulb 45 W.                 |          |     | 1   | 1   | 33       | 409 2016 | Receptacle Housing (2 Cir.)     |          |     | 1   | 1   |
| 12       | 410 6007 | Tail Lamp Ass'y.           | 1        | 1   |     |     | 34       | 414 0345 | Knob Decal                      | 1        | 1   | 1   | 1   |
| 12       | 515 0162 | Tail Lamp Ass'y.           |          |     | 1   | 1   | -        | 515 0102 | Wire Clamp                      | 1        | 1   | 1   | -   |
| 13       | 410 9019 | Tail Lamp Lens             | 1        | 1   | 1   | 1   | -        | 099 0004 | Vinyl Tape                      | -        | -   | -   | -   |
| 14       | 410 5006 | Tail Lamp Bulb             | 2        | 2   | 2   | 2   |          |          |                                 |          |     |     |     |
| 15       | 321 6043 | Bolt                       | 2        | 2   | 2   | 2   |          |          |                                 |          |     |     |     |
| 16       | 389 8010 | Speed Nut                  | 2        | 2   | 2   | 2   |          |          |                                 |          |     |     |     |
| 17       | 517 0096 | Clip                       | 1        | 1   |     |     |          |          |                                 |          |     |     |     |
| 18       | 409 0004 | Socket Contactor           | 4        | 4   | 5   | 5   |          |          |                                 |          |     |     |     |

# HEADLAMP MECHANISM

# MECANISME DE PHARE

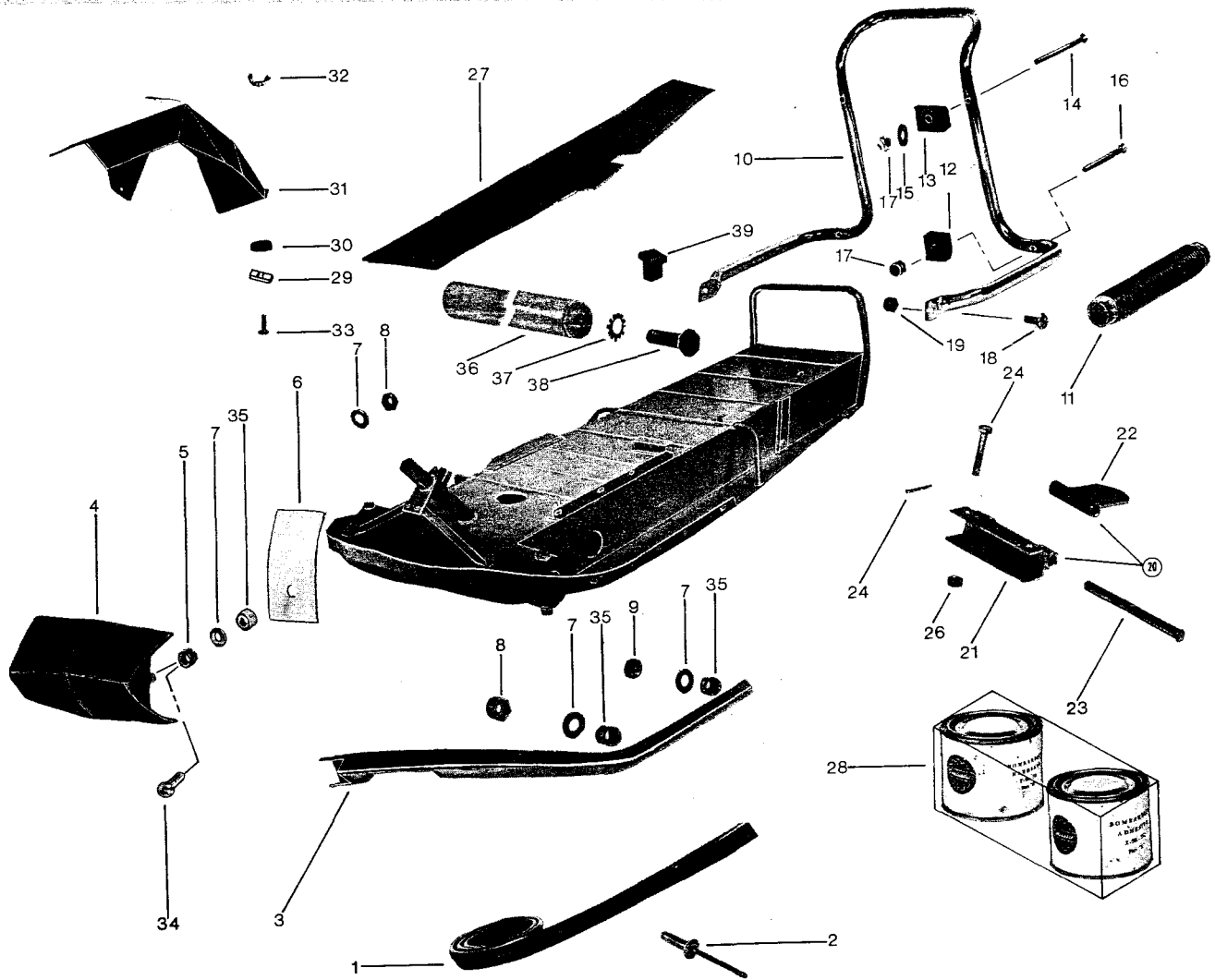


| ITEM NO. | PART NO. | DESCRIPTION                  | QUANTITY |         |         | ITEM NO. | PART NO. | DESCRIPTION         | QUANTITY |         |         |
|----------|----------|------------------------------|----------|---------|---------|----------|----------|---------------------|----------|---------|---------|
|          |          |                              | 320 SS   | 399 TNT | 669 TNT |          |          |                     | 320 SS   | 399 TNT | 669 TNT |
| 1        | 581 0104 | Headlamp housing W/2-3-4-5-6 | 1        |         |         | 16       | 386 7002 | Nut                 | 2        | 2       | 2       |
| 1        | 581 0202 | Headlamp housing W/2-3-4-5-6 |          |         |         | 17       | 321 7103 | Adjustment screw    | 1        | 1       | 1       |
| 2        | 571 1733 | Housing                      | 1        |         |         | 18       | 380 9019 | Nut                 | 1        | 1       | 1       |
| 2        | 571 1760 | Housing                      |          | 1       | 1       | 19       | 414 0246 | Headlamp spring     | 1        | 1       | 1       |
| 3        | 582 1016 | Hinge                        | 1        | 1       |         | 20       | 515 0143 | Control bracket     | 1        | 1       |         |
| 3        | 582 0103 | Hinge                        |          |         | 1       | 21       | 515 0147 | Control lever       | 1        | 1       |         |
| 4        | 390 4013 | Rivet                        | 4        | 4       | 4       | 22       | 320 1063 | Machine screw       | 1        | 1       |         |
| 5        | 414 0229 | Spring                       | 1        | 1       | 1       | 23       | 386 6013 | Nut                 | 1        | 1       |         |
| 6        | 107 7002 | Spacer strip (mult. 12")     | -        | -       | -       | 24       | 581 1039 | Control rod assy.   | 1        | 1       |         |
| 7        | 570 1711 | Insulator rubber             | 10       | 10      | 18      | 25       | 515 0148 | Control rod         | 1        | 1       |         |
| 8        | 399 9008 | Flat washer                  | 5        | 5       | 5       | 26       | 380 9019 | Nut                 | 1        | 1       |         |
| 9        | 387 5019 | Nut                          | 5        | 5       | 5       | 27       | 515 0149 | Adjuster tube       | 1        | 1       |         |
| 10       | 581 1044 | Headlamp assy.               | 1        |         |         | 28       | 371 0011 | Cotter pin          | 2        | 2       | 1       |
| 10       | 581 1045 | Headlamp assy.               |          | 1       | 1       | 29       | 320 1063 | Machine screw       | 1        | 1       |         |
| 11       | 515 0142 | Headlamp ring                | 1        | 1       | 1       | 30       | 386 6013 | Nut                 | 1        | 1       |         |
| 12       | 410 6010 | Projector                    | 1        | 1       | 1       | 31       | 414 0054 | Control lever knob  | 1        | 1       |         |
| 13       | 389 8010 | Speed nut                    | 2        | 2       | 2       | 32       | 414 0295 | Control knob male   |          |         | 1       |
| 14       | 320 1062 | Machine screw                | 1        | 1       | 1       | 33       | 414 0294 | Control knob female |          |         | 1       |
| 14       | 320 1061 | Machine screw                | 1        | 1       | 1       | 34       | 414 0363 | Grommet             |          |         | 1       |
| 15       | 515 0157 | Stop bracket                 | 1        | 1       | 1       | 35       | 517 0168 | Control rod         |          |         | 1       |
|          |          |                              |          |         |         | 36       | 515 0137 | Headlamp support    | 1        | 1       | 1       |

FRAME

BODY

CHASSIS

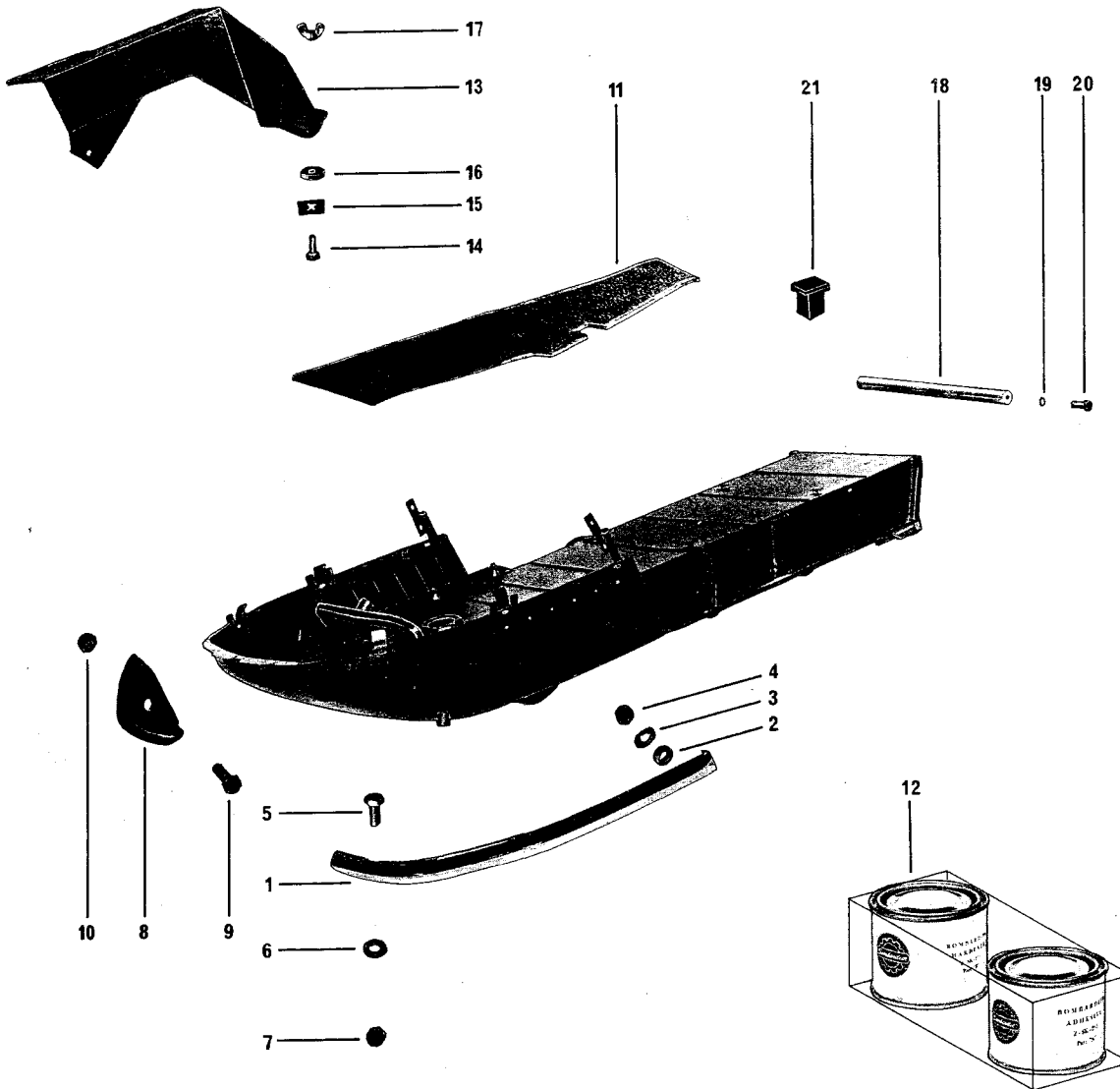


| ITEM NO. | PART NO. | DESCRIPTION                  | QUANTITY |        |         | ITEM NO. | PART NO. | DESCRIPTION       | QUANTITY |        |         |
|----------|----------|------------------------------|----------|--------|---------|----------|----------|-------------------|----------|--------|---------|
|          |          |                              | 12/3 SS  | 320 SS | 399 TNT |          |          |                   | 12/3 SS  | 320 SS | 399 TNT |
| 1        | 414 0159 | Body moulding (Mult. 12")    | 1        |        |         | 21       | 517 0086 | Hitch bracket     |          |        | 1       |
| 2        | 390 9013 | Rivet                        | 22       |        |         | 22       | 517 0087 | Hitch plate       |          |        | 1       |
| 3        | 517 0076 | R.H. side bumper             |          | 1      | 1       | 23       | 517 0097 | Pin               |          |        | 1       |
| 3        | 517 0077 | L.H. side bumper             |          | 1      | 1       | 24       | 371 8002 | Cotter pin        |          |        | 1       |
| 4        | 570 1701 | Front bumper                 |          | 1      | 1       | 25       | 309 8014 | Bolt              |          |        | 2       |
| 5        | 517 0088 | Spacer                       | 2        | 2      | 2       | 26       | 386 6019 | Nut               |          |        | 2       |
| 6        | 517 0089 | Positioning bracket          | 2        | 2      | 2       | 27       | 570 1717 | R.H. foot pad     | 1        | 1      | 1       |
| 7        | 391 0023 | Flat washer                  | 2        | 4      | 4       | 27       | 570 1718 | L.H. foot pad     | 1        | 1      | 1       |
| 8        | 386 9001 | Nut                          | 2        | 4      | 4       | 28       | 414 0066 | Epoxy glue        | -        | -      | -       |
| 9        | 380 9022 | Nut                          |          | 2      | 2       | 29       | 389 8034 | Speed nut         | 3        | 3      | 3       |
| 10       | 580 2014 | Rear bumper w/grip           |          | 1      |         | 30       | 570 1711 | Rubber washer     | 3        | 3      | 3       |
| 11       | 414 0016 | Grip                         |          | 3      |         | 31       | 571 1718 | Pulley guard      | 1        | 1      |         |
| 12       | 570 1704 | Rubber spacer                |          | 4      |         | 31       | 571 1761 | Pulley guard      |          |        | 1       |
| 13       | 570 1706 | Skew spacer                  | 2        | 2      |         | 32       | 386 1019 | Wing nut          | 3        | 3      | 3       |
| 14       | 320 1066 | Machine screw                | 2        |        |         | 33       | 300 1001 | Bolt              | 3        | 3      | 3       |
| 14       | 327 3070 | Machine screw                |          | 2      |         | 34       | 321 7133 | Bolt              | 2        |        |         |
| 15       | 391 0017 | Washer                       | 2        | 2      |         | 35       | 517 0152 | Spacer            |          | 6      | 6       |
| 16       | 327 3072 | Machine screw                |          | 2      |         | 36       | 517 0140 | Cross shaft       |          |        | 1       |
| 17       | 386 6013 | Nut                          | 2        | 4      |         | 37       | 399 8001 | Tooth lock washer |          |        | 2       |
| 18       | 330 5101 | Machine screw                |          | 2      |         | 38       | 300 1045 | Bolt              |          |        | 2       |
| 19       | 581 6019 | Nut                          |          | 2      |         | 39       | 570 1728 | End cap           |          |        | 2       |
| 20       | 581 2004 | Hitch plate & bracket ass'y. |          | 1      |         |          |          |                   |          |        |         |

FRAME

BODY

CHASSIS



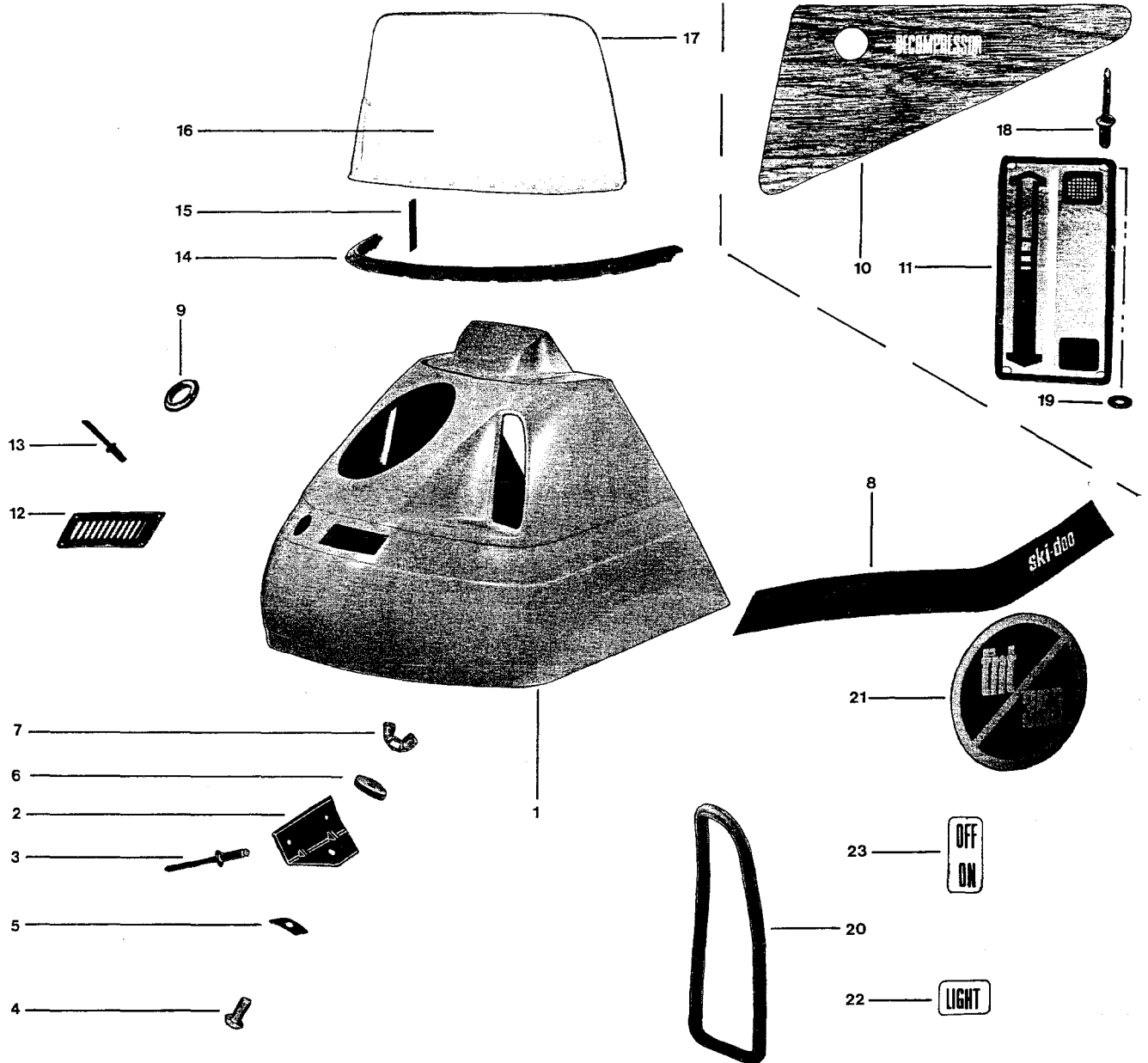
| ITEM NO. | PART NO. | DESCRIPTION   | QUANTITY 669 | ITEM NO. | PART NO. | DESCRIPTION       | QUANTITY 669 |
|----------|----------|---------------|--------------|----------|----------|-------------------|--------------|
|          |          |               | TNT          |          |          |                   | TNT          |
| 1        | 517 0119 | R.H. bumper   | 1            | 12       | 570 1718 | L.H. foot pad     | 1            |
| 1        | 517 0120 | L.H. bumper   | 1            | 13       | 414 0066 | Epoxy glue        | -            |
| 2        | 517 0152 | Spacer        | 6            | 14       | 571 1764 | Pulley guard      | 1            |
| 3        | 391 0021 | Flat washer   | 6            | 15       | 300 1001 | Bolt              | 3            |
| 4        | 386 9003 | Nut           | 6            | 16       | 389 8034 | Speed nut         | 3            |
| 5        | 300 1001 | Bolt          | 2            | 17       | 570 1711 | Rubber washer     | 3            |
| 6        | 391 0021 | Flat washer   | 2            | 18       | 386 1019 | Wing nut          | 3            |
| 7        | 386 6019 | Nut           | 2            | 19       | 517 0167 | Cross shaft       | 1            |
| 8        | 570 1712 | Front bumper  | 1            | 20       | 399 8001 | Tooth lock washer | 2            |
| 9        | 300 1003 | Bolt          | 1            | 21       | 300 1045 | Bolt              | 2            |
| 10       | 386 6019 | Nut           | 1            | 22       | 570 1728 | End cap           | 2            |
| 11       | 570 1717 | R.H. foot pad | 1            |          |          |                   |              |

- Indicates use as required

CABIN

BODY

CABINE



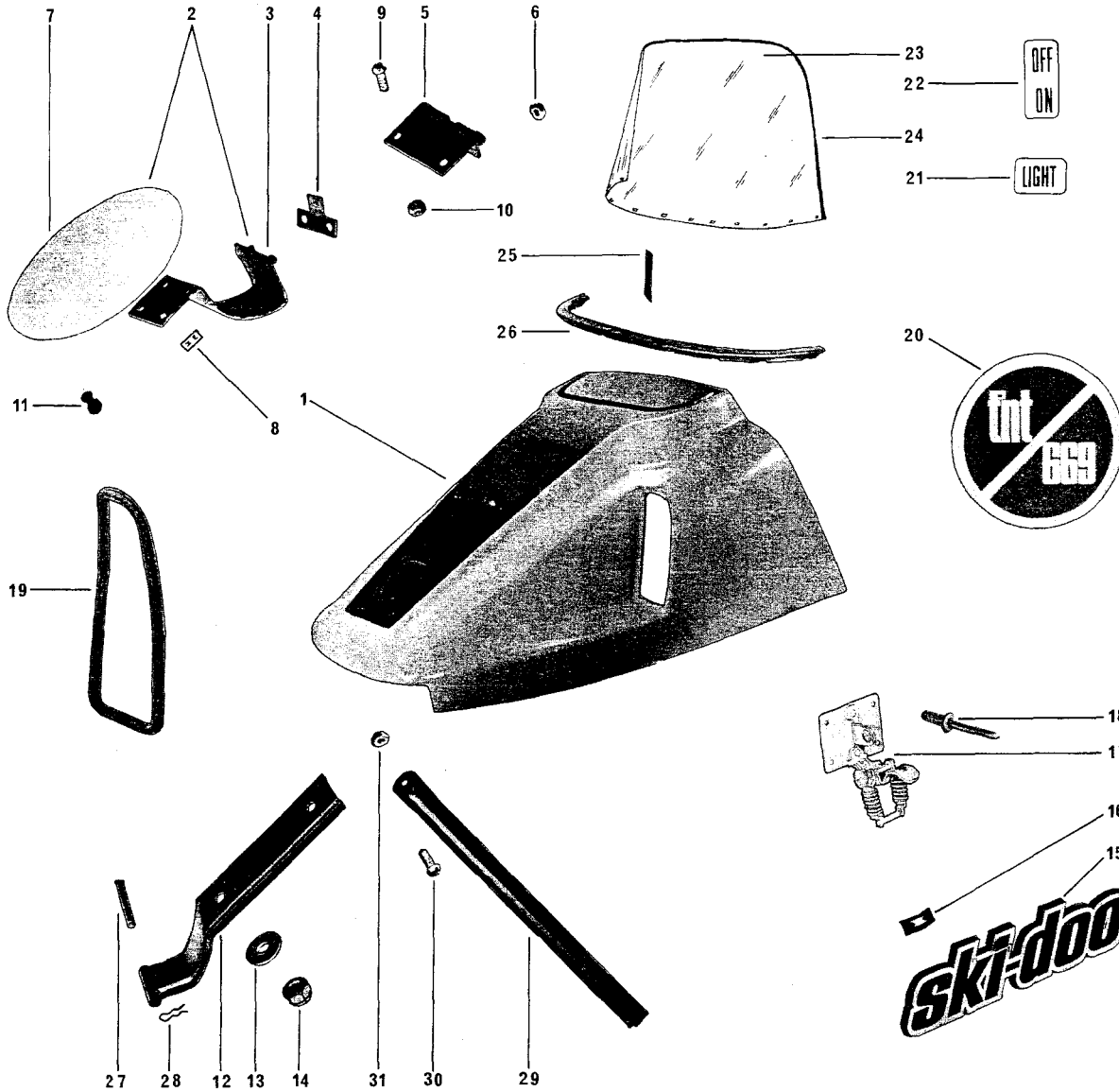
| ITEM NO. | PART NO. | DESCRIPTION         | QUANTITY |     |     | ITEM NO. | PART NO. | DESCRIPTION                      | QUANTITY |     |     |
|----------|----------|---------------------|----------|-----|-----|----------|----------|----------------------------------|----------|-----|-----|
|          |          |                     | 12/3     | 320 | 399 |          |          |                                  | 12/3     | 320 | 399 |
| 1        | 571 1743 | Cab                 | 1        |     |     | 11       | 414 0326 | Guide Plate                      |          | 1   | 1   |
| 1        | 571 1749 | Cab                 |          | 1   |     | 12       | 414 0232 | R.H. Louvre                      | 1        | 1   | 1   |
| 1        | 571 1754 | Cab                 |          |     | 1   | 12       | 414 0233 | L.H. Louvre                      | 1        | 1   | 1   |
| 2        | 517 0079 | Retaining Bracket   | 4        | 4   | 4   | 13       | 390 4007 | Pop Rivet                        | 8        | 8   | 8   |
| 3        | 390 4004 | Pop Rivet           | 4        | 4   | 4   | 14       | 570 1716 | Anchor Strip                     | 1        | 1   | 1   |
| 4        | 320 1132 | Machine Screw       | 4        | 4   | 4   | 15       | 517 0142 | Anchor Tab                       | 1        | 1   | 1   |
| 5        | 389 8018 | Speed Nut           | 4        | 4   | 4   | 16       | 414 0187 | Windshield                       | 1        | 1   | 1   |
| 6        | 570 1711 | Rubber Washer       | 4        | 4   | 4   | 17       | 414 0255 | Windshield Protector (Mult. 12") |          |     |     |
| 7        | 389 8032 | Wing Nut            | 4        | 4   | 4   | 18       | 390 4003 | Pop Rivet                        |          | 4   | 4   |
| 8        | 414 0241 | R.H. Stripe         | 1        | 1   | 1   | 19       | 399 9001 | Flat Washer                      |          | 4   | 4   |
| 8        | 414 0242 | L.H. Stripe         | 1        | 1   | 1   | 20       | 570 1729 | Scoop Ring                       |          |     | 2   |
| 9        | 570 1719 | Filler Pipe Grommet | 1        | 1   | 1   | 21       | 414 0297 | Label TNT 399                    |          |     | 2   |
| 10       | 414 0243 | R.H. Dash Panel     | 1        | 1   |     | 22       | 414 0334 | Light Sticker                    |          |     | 1   |
| 10       | 414 0244 | L.H. Dash Panel     | 1        | 1   |     | 23       | 414 0335 | Ignition Sticker                 |          |     | 1   |
| 10       | 414 0323 | Dash Panel          |          |     | 1   |          |          |                                  |          |     |     |



CABIN

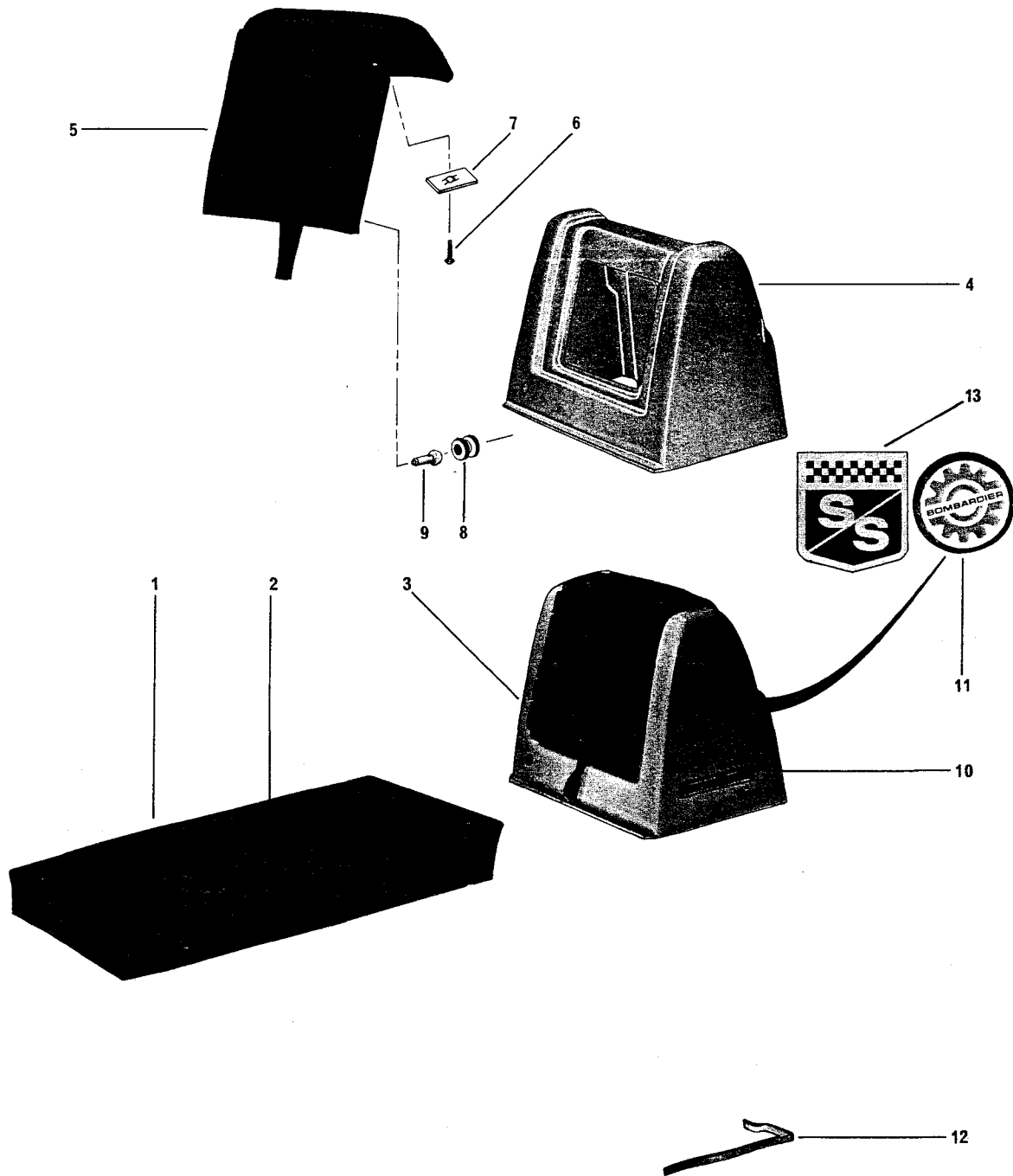
BODY

CABINE

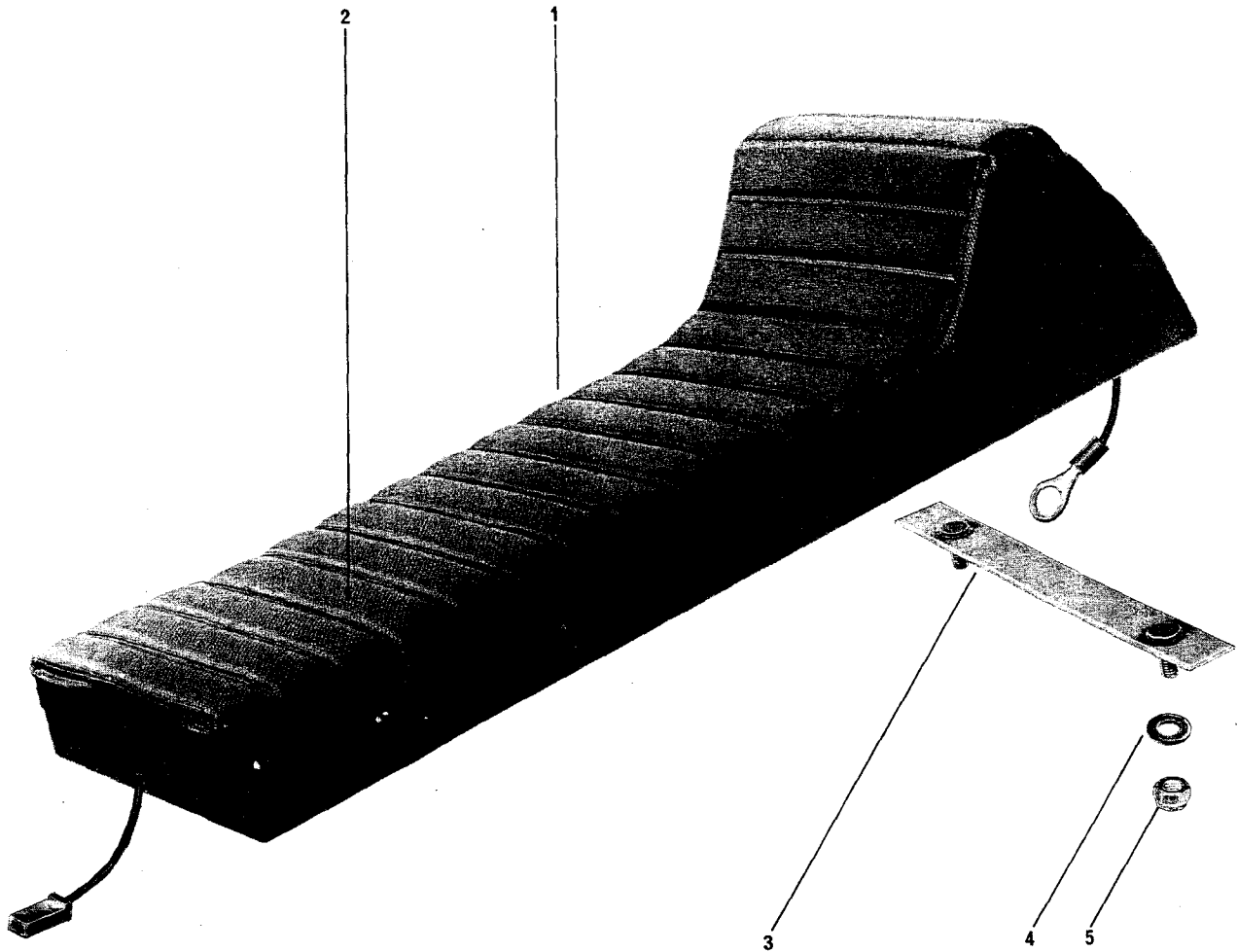


| ITEM NO. | PART NO. | DESCRIPTION          | QUANTITY 669 TNT | ITEM NO. | PART NO. | DESCRIPTION                       | QUANTITY 669 TNT |
|----------|----------|----------------------|------------------|----------|----------|-----------------------------------|------------------|
| 1        | 571 1755 | Cab                  | 1                | 17       | 414 0309 | Cabin Latch                       | 2                |
| 2        | 581 0209 | Filler Door Assembly | 1                | 18       | 390 4019 | Pop Rivet                         | 8                |
| 3        | 513 0039 | Hinge Bracket        | 1                | 19       | 570 1724 | Scoop Ring                        | 2                |
| 4        | 513 0040 | Spring Plate         | 1                | 20       | 414 0296 | Identification Label              | 2                |
| 5        | 582 0103 | Hinge                | 1                | 21       | 414 0336 | Light Sticker                     | 1                |
| 6        | 386 7002 | Nut                  | 2                | 22       | 414 0337 | Ignition Sticker                  | 1                |
| 7        | 571 1763 | Filler Door          | 1                | 23       | 414 0306 | Windshield                        | 1                |
| 8        | 389 8030 | Speed Nut            | 4                | 24       | 570 1734 | Anchor Strip                      | 1                |
| 9        | 320 1062 | Machine Screw        | 2                | 25       | 517 0142 | Anchor Tab                        | 9                |
| 10       | 386 7002 | Nut                  | 2                | 26       | 414 0255 | Windshield Protector (Mult. 12'') | -                |
| 11       | 570 1714 | Door Stop            | 2                | 27       | 517 0122 | Pin                               | 2                |
| 12       | 517 0174 | L.H. Cabin Hinge     | 1                | 28       | 414 0189 | Retainer Clip                     | 2                |
| 12       | 517 0175 | R.H. Cabin Hinge     | 1                | 29       | 517 0137 | Cabin Holder                      | 1                |
| 13       | 391 0023 | Flat Washer          | 4                | 30       | 320 1063 | Machine Screw                     | 1                |
| 14       | 387 5019 | Nut                  | 4                | 31       | 386 7002 | Nut                               | 1                |
| 15       | 414 0212 | Name Plate           | 2                |          |          |                                   |                  |
| 16       | 389 8019 | Speed Nut            | 6                |          |          |                                   |                  |

- Indicates use as required



| ITEM NO. | PART NO. | DESCRIPTION      | QUANTITY |     | ITEM NO. | PART NO. | DESCRIPTION      | QUANTITY |     |
|----------|----------|------------------|----------|-----|----------|----------|------------------|----------|-----|
|          |          |                  | 12/3     | 320 |          |          |                  | 12/3     | 320 |
|          |          |                  | SS       | SS  |          |          |                  | SS       | SS  |
| 1        | 580 1035 | Seat ass'y.      | 1        | 1   | 6        | 321 6043 | Machine screw    | 2        | 2   |
| 1        | 580 1049 | Seat ass'y.      |          | 1   | 7        | 389 8010 | Speed Nut        | 2        | 2   |
| 2        | 414 0234 | Leatherette      | 1        |     | 8        | 570 1503 | Grommet          | 1        | 1   |
| 2        | 414 0291 | Leatherette      |          | 1   | 9        | 369 9008 | Retaining screw  | 1        | 1   |
| 3        | 580 1062 | Backrest ass'y.  | 1        |     | 10       | 414 0227 | Label 12 - 3     | 2        |     |
| 3        | 580 1063 | Backrest ass'y.  |          | 1   | 10       | 414 0228 | Label 320 AS     |          | 2   |
| 4        | 571 1717 | Backrest housing | 1        | 1   | 11       | 414 0248 | Bombardier crest | 2        | 2   |
| 5        | 414 0235 | Covering         | 1        |     | 12       | 414 0164 | Backrest strip   | 1        | 1   |
| 5        | 414 0298 | Covering         |          | 1   | 13       | 414 0316 | Label SS         | 2        | 2   |



| ITEM NO. | PART NO. | DESCRIPTION   | QUANTITY |         | ITEM NO. | PART NO. | DESCRIPTION | QUANTITY |         |
|----------|----------|---------------|----------|---------|----------|----------|-------------|----------|---------|
|          |          |               | 399 TNT  | 669 TNT |          |          |             | 399 TNT  | 669 TNT |
| 1        | 580 0210 | Seat Assembly | 1        |         | 3        | 517 0164 | Stud Plate  | 1        | 1       |
| 1        | 580 0222 | Seat Assembly |          | 1       | 4        | 391 0021 | Flat Washer | 2        | 2       |
| 2        | 414 0366 | Leatherette   | 1        |         | 5        | 386 9003 | Nut         | 2        | 2       |
| 2        | 414 0367 | Leatherette   |          | 1       |          |          |             |          |         |

NOTE

**NOTE**