

**BOMBARDIER**

***ski-doo***

**PARTS MANUAL**



**1969 NORDIC**

**BOMBARDIER**

LTD/LTÉE

***ski-doo***

**NORDIC 1969**

DIVISION SKI-DOO DIVISION  
PARTS MANUAL  
MANUEL / PIÈCES

VALCOURT QUEBEC CANADA

GENERAL INFORMATION

PARTS CATALOGUE

## BOMBARDIER SKI-DOO

MODEL - MODÈLE

371 MANUAL

371 ELECTRIC

INFORMATION GÉNÉRALE

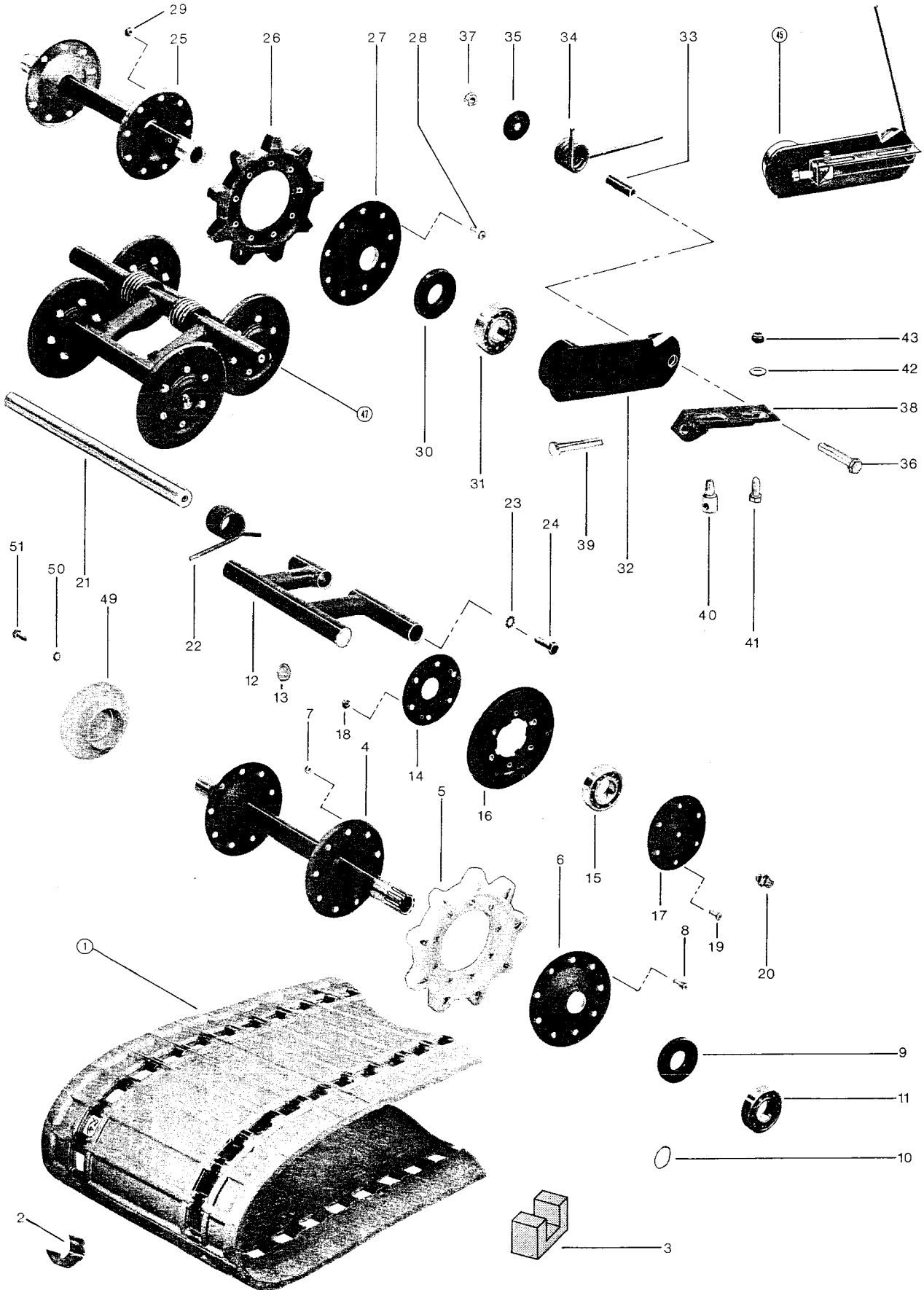
CATALOGUE / PIÈCES

# INDEX

DESCRIPTION	SECTION
TRACK .....	0
DRIVE .....	I
WHEEL .....	II
SUSPENSION .....	III
TRANSMISSION .....	IV
SKI .....	V
STEERING .....	VI
BRAKE .....	VII
THROTTLE .....	X
ENGINE & EXHAUST .....	XII
FUEL .....	XIII
ELECTRICAL .....	XV
BODY .....	XVII
<hr/>	
CHENILLE .....	0
COMMANDE .....	I
ROUE .....	II
SUSPENSION .....	III
TRANSMISSION .....	IV
SKI .....	V
CONDUITE .....	VI
FREIN .....	VII
ACCÉLÉRATEUR .....	X
MOTEUR & ÉCHAPPEMENT .....	XII
ESSENCE .....	XIII
SYSTÈME ÉLECTRIQUE .....	XV
CHASSIS .....	XVII

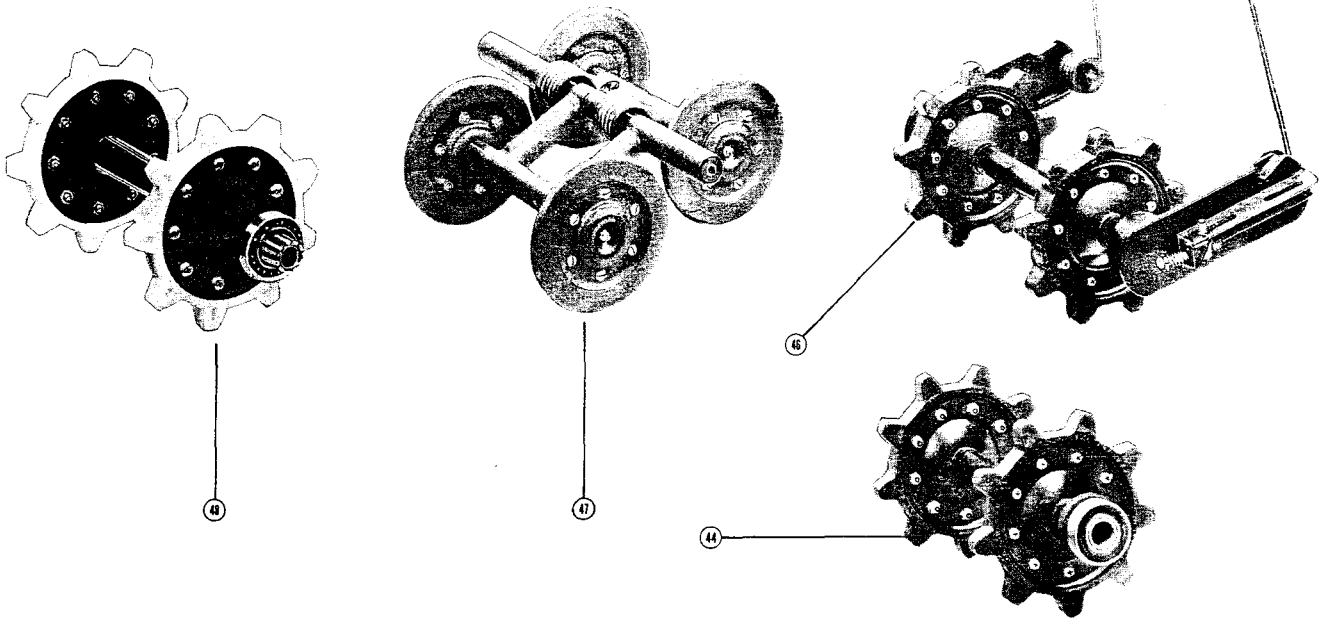
# SUSPENSION

# SUSPENSION



# SUSPENSION

# SUSPENSION



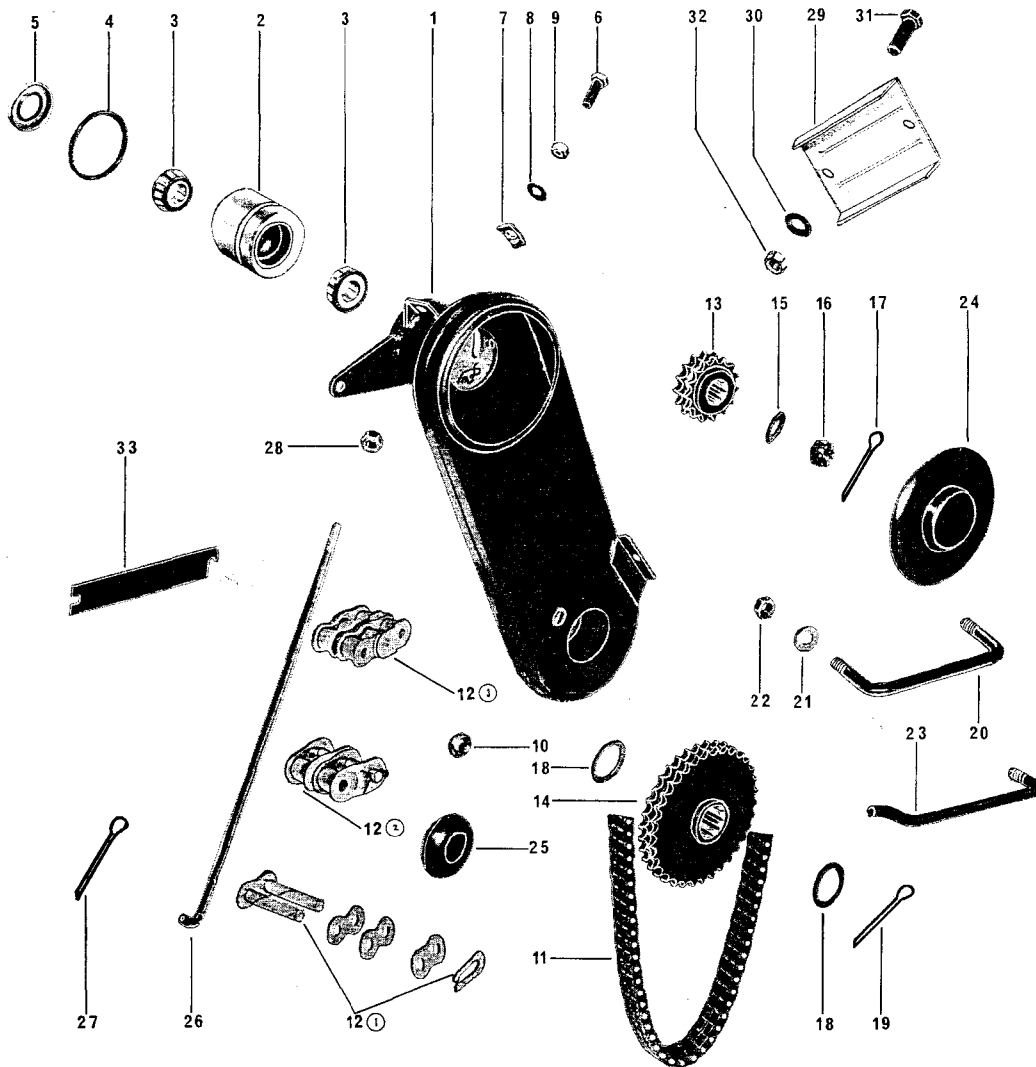
ITEM NO.	PART NO.	DESCRIPTION	QUANTITY		ITEM NO.	PART NO.	DESCRIPTION	QUANTITY	
			371	371E				371	371E
1	570 0004	Track	1	1	29	387 3013	Nut	18	18
2	570 0003	Track Insert	—	—	30	570 0301	Seal	2	2
3	529 0003	Insert Block (Tool)	—	—	31	405 4004	Bearing	2	2
4	501 0008	Drive Axle	1	1	32	503 0031	L.H. Link Plate	1	1
5	414 0001	Drive Sprocket	2	2	32	503 0030	R.H. Link Plate	1	1
6	501 0018	Mobile Flange	2	2	33	503 0040	Adjuster Sleeve	1	1
7	387 2019	Nut	18	18	34	503 0034	L.H. Spring	1	1
8	320 1102	Machine Screw	18	18	34	503-0033	R.H. Spring 503-0033P	1	1
9	581 1017	Seal (with spring)	2	2	35	503-0016	Retainer Washer	1	1
10	414 0153	Spring (for seal)	2	2	36	300 1048	Cap Screw	1	1
11	405 4002	Bearing	2	2	37	386 6022	Nut	1	1
12	502 0021	Wheel Support	6	6	38	503 0012	L.H. Bracket	1	1
13	502 0011	Cap	12	12	38	503 0008	R.H. Bracket	1	1
14	502 0015	Inner Flange	12	12	39	309 8004	Cap Screw	1	1
15	405 4002	Bearing	12	12	40	503 0027	Adjuster Eye Bolt	1	1
16	570 0205	Tire	12	12	41	300 3041	Cap Screw	2	2
17	502 0016	Outer Flange	12	12	42	399 9007	Flat Washer	2	2
18	387 3013	Nut	72	72	43	386 7001	Nut	2	2
19	320 1062	Machine Screw	72	72	44	581 0101	Rear Hub Ass'y	1	1
20	408 2001	Grease Fitting	12	12	45	581 0112	R.H. Link Plate Ass'y	1	1
21	502 0014	Cross Shaft	3	3	45	581 0113	L.H. Link Plate Ass'y	1	1
22	502 0020	Spring (Rear 9/32 Ø) 0027	2	2	46	580 0105	Suspension Ass'y (Rear Hub)	1	1
22	502 0010	Spring (Front 1/4 Ø) 0026	4	4	47	580 0104	Wheel Ass'y (Front)	2	2
23	399 8001	Tooth Lock Washer 0	6	6	47	580 0128	Wheel Ass'y (Rear)	1	1
24	300 8043	Cap Screw	6	6	48	580 0102	Drive Axle Ass'y	1	1
25	503 0032	Rear Hub	1	1	49	501 0007	End Bearing Housing	1	1
26	570 0101	Sprocket	2	2	50	392 0019	Lock Washer	3	3
27	501 0018	Mobile Flange	2	2	51	300 0000	Cap Screw	3	3
28	320 1062	Machine Screw	18	18					

BOMBARDIER LTD./LTÉE

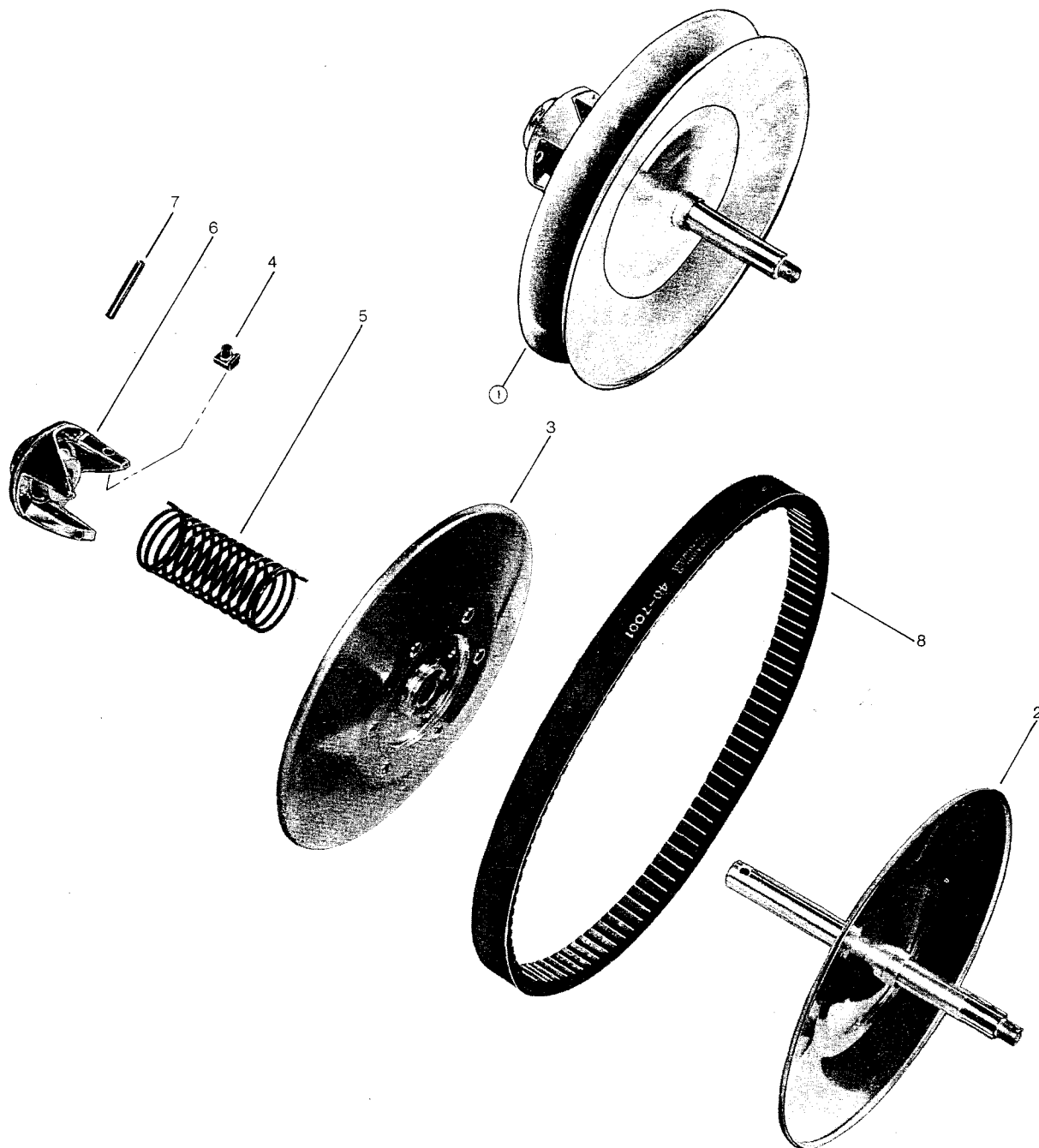
CHAIN CASE

TRANSMISSION

CHAIN CASE



ITEM NO.	PART NO.	DESCRIPTION	QUANTITY		ITEM NO.	PART NO.	DESCRIPTION	QUANTITY	
			371	371E				371	371E
1	504 0033	Chain Case	1	1	17	371 0011	Cotter Pin	1	1
2	504 0053	Chain Tensioner (with cup)	1	1	18	504 0039	Spacer	2	2
3	405 0001	Bearing Cone	2	2	19	371 0033	Cotter Pin	1	1
4	406 0001	"O" Ring	1	1	20	504 0042	"U" Clamp	1	1
5	406 3001	Oil Seal	1	1	21	391 0023	Flat Washer	2	2
6	301 2084	Cap Screw	1	1	22	386 6022	Nut	3	3
7	414 0185	Segment	1	1	23	504 0041	"U" Clamp	1	1
8	391 0025	Flat Washer	1	1	24	570 0403	Inspection Cover	1	1
9	380 9024	Nut	1	1	25	570 0413	Access Plug	1	1
10	570 0406	Plug	1	1	26	507 0045	Hinge Rod	1	1
11	412 1007	Driving Chain	1	1	27	371 0011	Cotter Pin	1	1
12	412 6007	Connecting link single	1	—	28	386 6022	Nut	1	1
12	412 6009	Cranked link double	2	—	29	517 0117	L.H. Footrest	1	1
12	412 6008	Cranked link single	3	—	30	391 0021	Flat Washer	1	1
13	504 0061	Sprocket 16 Teeth	1	1	31	300 1001	Cap Screw	2	2
14	504 0045	Sprocket 34 Teeth	1	1	32	386 6019	Nut	2	2
15	504 0015	Shaft Washer	1	1	33	504 0020	Shim	—	—
16	381 2028	Nut	1	1					



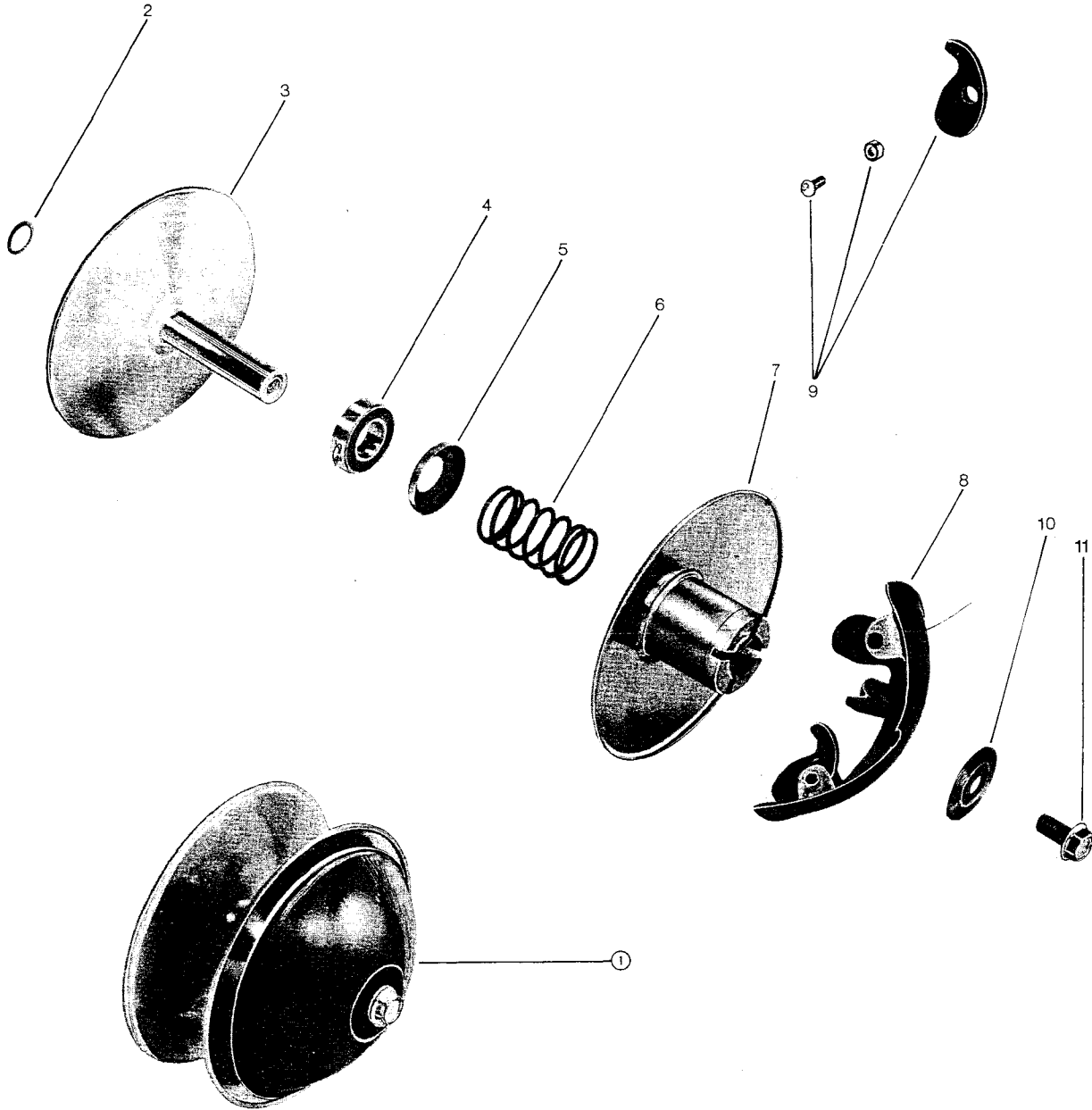
ITEM NO.	PART NO.	DESCRIPTION	QUANTITY		ITEM NO.	PART NO.	DESCRIPTION	QUANTITY	
			371	371E				371	371E
1	581 1022	Driven Pulley Ass'y	1	1	5	414 0125	Spring	1	1
2	504 1037	Fixed Pulley Half	1	1	6	560 4001	Outer Cam	1	1
3	504 1029	Sliding Pulley	1	1	7	372 1123	Roll Pin	1	1
4	414 0126	Cam Slider Shoe	3	3	8	570 0411	Drive Belt	1	1



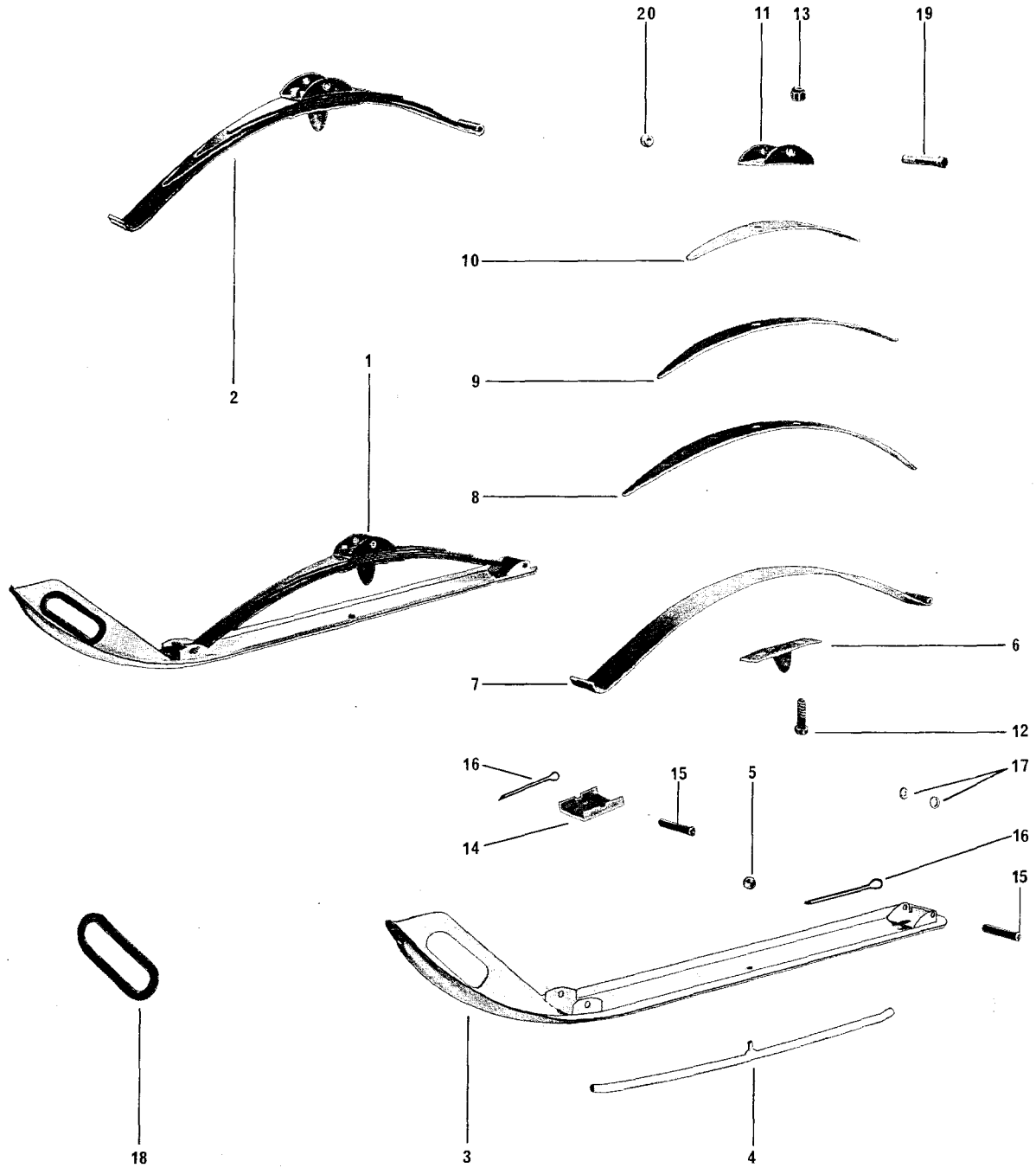
DRIVE PULLEY

TRANSMISSION

POULIE DE COMMANDE



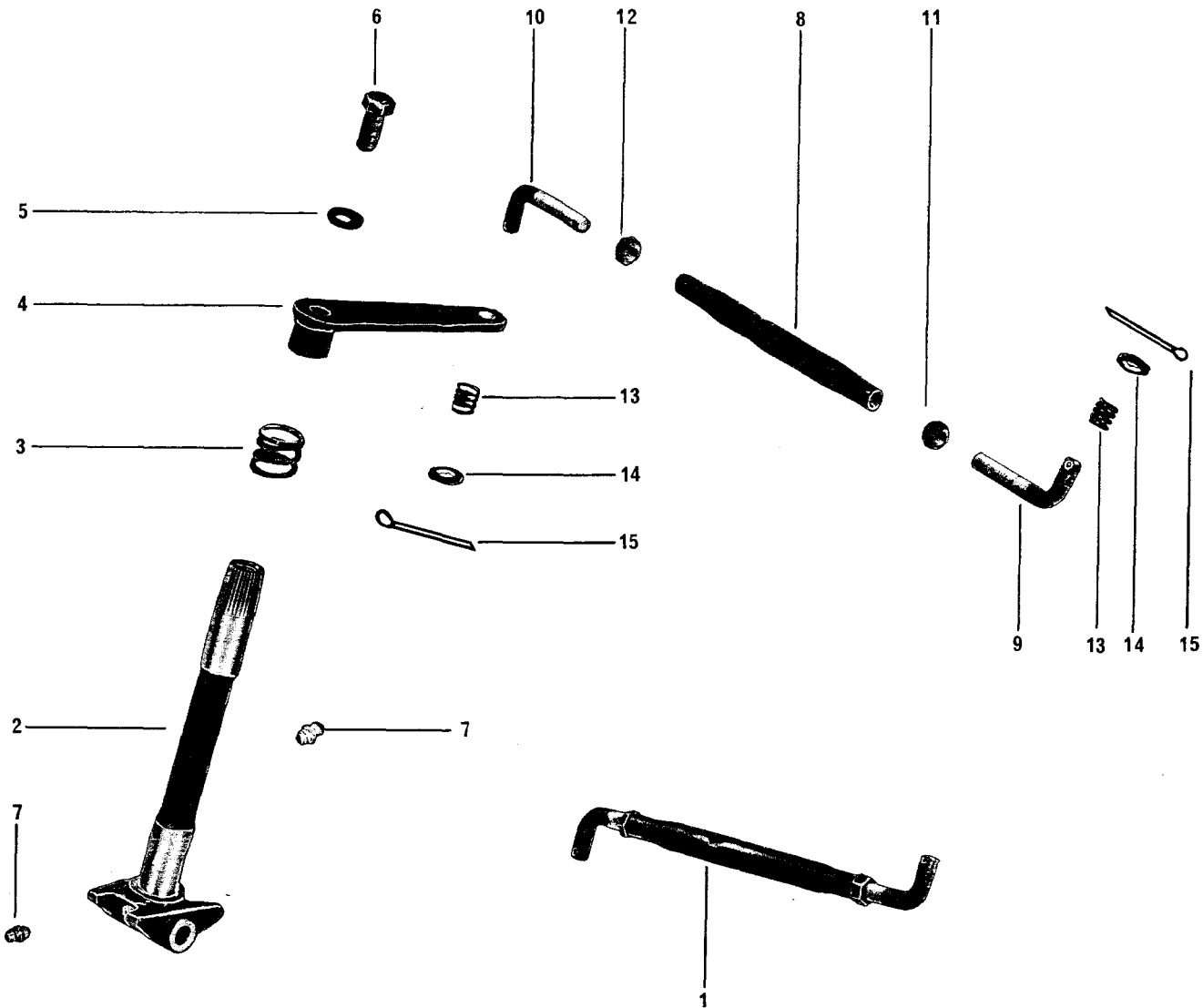
ITEM NO.	PART NO.	DESCRIPTION	QUANTITY		ITEM NO.	PART NO.	DESCRIPTION	QUANTITY	
			371	371E				371	371E
1	581 1008	Drive Pulley Ass'y	1	1	6	414 0013	Spring	1	1
2	504 1009	Shim (.024)	-	-	7	504 2017	Outer Half	1	1
2	504 1010	Shim (.048)	-	-	8	504 2022	Cent. Governor	1	1
3	504 2008	Inner Half	1	1	9	504 2024	Pressure Lever Kit	-	-
4	405 4005	Bearing	1	1	10	504 2026	Governor Washer	1	1
5	504 2013	Spring Seat	1	1	11	309 8010	Cap Screw	1	1



ITEM NO.	PART NO.	DESCRIPTION	QUANTITY		ITEM NO.	PART NO.	DESCRIPTION	QUANTITY	
			371	371E				371	371E
1	581 0106	Ski Assembly R.H.	1	1	10	505 0015	Auxiliary Leaf Spring	1	1
1	581 0107	Ski Assembly L.H.	1	1	11	505 0037	Spring Coupler	1	1
2	582 0101	Spring Ass'y	1	1	12	309 8026	Cap Screw	2	2
2	582 0102	Spring Ass'y	1	1	13	386 6024	Nut	2	2
3	505 0032	Ski Runner	1	1	14	505 0033	Spring Slider	1	1
4	505 0002	Runner Shoe	1	1	15	505 0034	Retainer Pin	2	2
5	387 2022	Nut	1	1	16	371 0011	Cotter Pin	2	2
6	570 0502	Rebound Leaf Spring	1	1	17	505 0035	Washer	2	2
7	505 0018	Main Leaf Spring	1	1	18	570 0503	Inside Protector	1	1
8	505 0014	Auxiliary Spring	1	1	19	309 8007	Cap Screw	1	1
9	505 0013	Auxiliary Leaf Spring	1	1	20	386 6024	Nut	1	1

**STEERING Tie Rod**

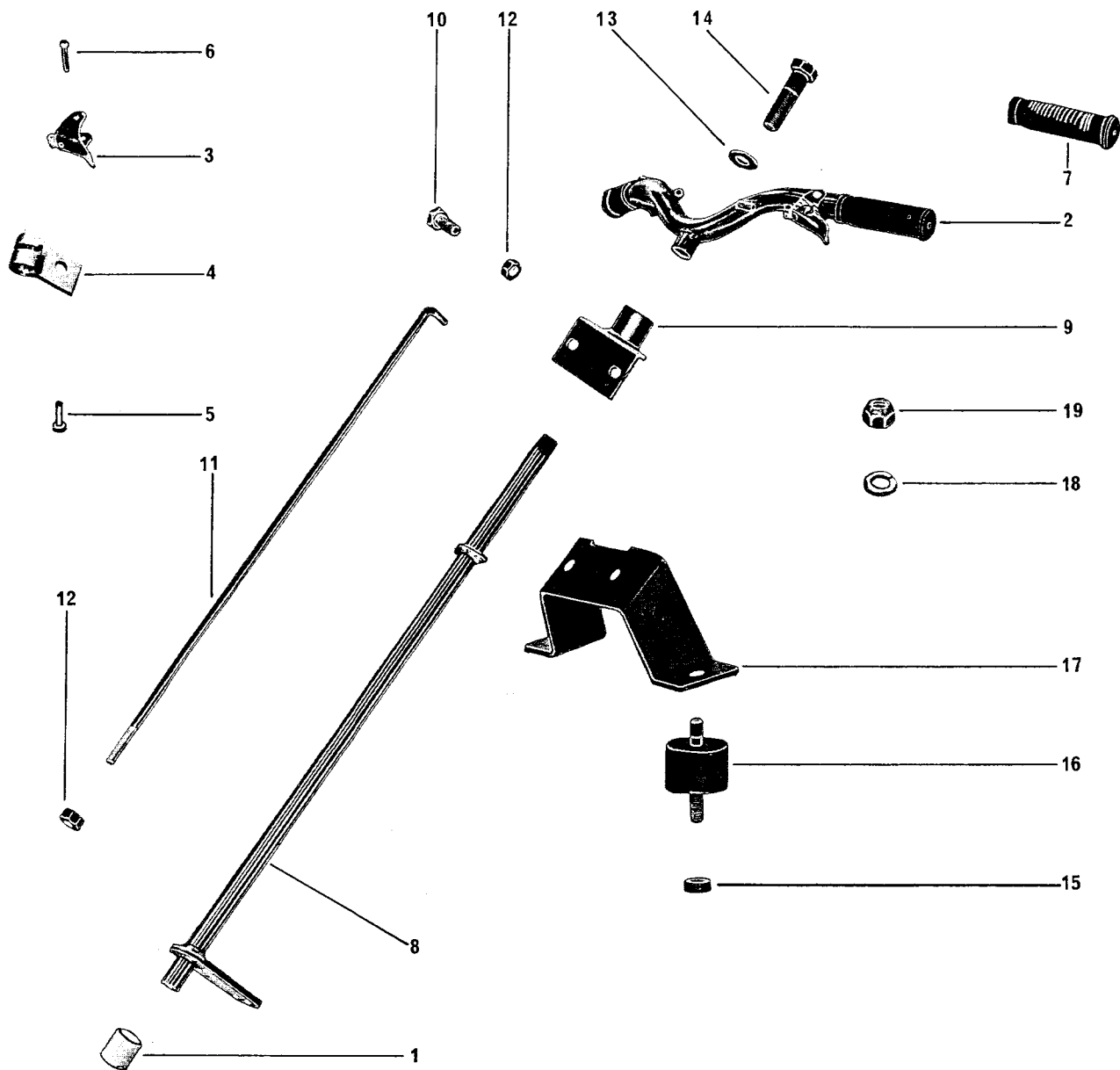
**Barre d'Acouplement CONDUITE**



ITEM NO.	PART NO.	DESCRIPTION	QUANTITY		ITEM NO.	PART NO.	DESCRIPTION	QUANTITY	
			371	371E				371	371E
1	580 0106	Tie Rod Ass'y	2	2	3	506 0058	Tie Rod	2	2
2	506 0076	Ski Leg L.H.	1	1	9	506 0044	Center Tie Rod End	2	2
2	506 0081	Ski Leg R.H.	1	1	10	506 0017	Tie Rod End L.H.	2	2
3	414 0127	Spring	2	2	11	389 8016	Jam Nut L.H.	2	2
4	506 0014	Steering Arm Plate	2	2	12	389 8015	Jam Nut R.H.	2	2
5	392 9926	Lock Washer	2	2	13	414 0364	Spring	4	4
6	300 8123	Cap Screw	2	2	14	391 0025	Flat Washer	4	4
7	408 2001	Grease Fitting	4	4	15	371 0031	Cotter Pin	4	4

STEERING Handle Bar

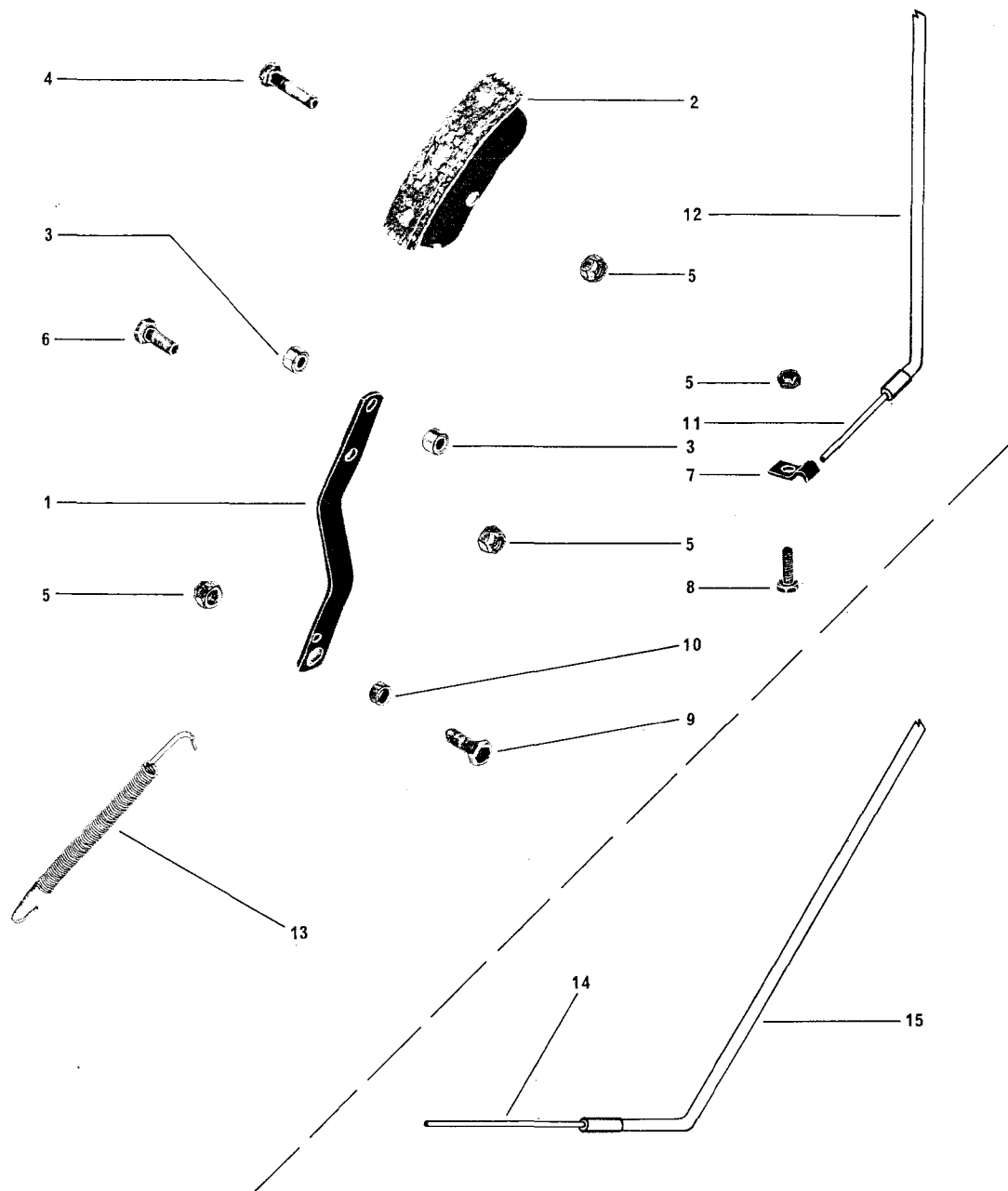
Barre de Conduite CONDUITE



ITEM NO.	PART NO.	DESCRIPTION	QUANTITY		ITEM NO.	PART NO.	DESCRIPTION	QUANTITY	
			371	371E				371	371E
1	570 0601	Steering Bushing	1	1	11	517 0141	Brace Rod	1	1
2	581 4007	Handle Ass'y	1	1	12	380 6019	Nut	5	5
3	581 1036	Control Handle with Plug	2	2	13	399 8006	Lock Washer	1	1
4	506 0073	Cable Plug Retainer	2	2	14	300 3126	Cap Screw	1	1
5	390 5004	Rivet	2	2	15	512 0036	Spacer	2	2
6	390 9001	Rivet	2	2	16	570 1205	Rubber Shear Mount	2	2
7	414 0002	Grip	2	2	17	512 0034	Upper Steering Bracket	1	1
8	506 0061	Handle Bar	1	1	18	392 0022	Lock Washer	2	2
9	506 0090	Bar Bracket	1	1	19	380 9022	Nut	2	2
10	300 0001	Cap Screw	1	1					

**BRAKE & THROTTLE**

**ACCÉLÉRATEUR & FREIN**



ITEM NO.	PART NO.	DESCRIPTION	QUANTITY		ITEM NO.	PART NO.	DESCRIPTION	QUANTITY	
			371	371E				371	371E
1	507 0036	Brake Lever	1	1	9	560 7004	Cable Lock Screw	1	1
2	582 1012	Shoe with Lining	1	1	10	507 0044	Cable Lock Bushing	1	1
3	507 0041	Lug Spacer	2	2	11	414 0262	Brake Cable	1	1
4	309 8020	Cap Screw	1	1	12	414 0265	Cable Housing (Brake)	1	1
5	386 6019	Nut	5	5	13	414 0245	Spring	1	1
6	309 9019	Cap Screw	1	1	14	414 0261	Throttle Cable	1	1
7	507 0028	Housing Clip	2	2	15	414 0288	Cable Housing (Throttle)	1	1
8	300 0001	Cap Screw	2	2					

# ROTAX ENGINE

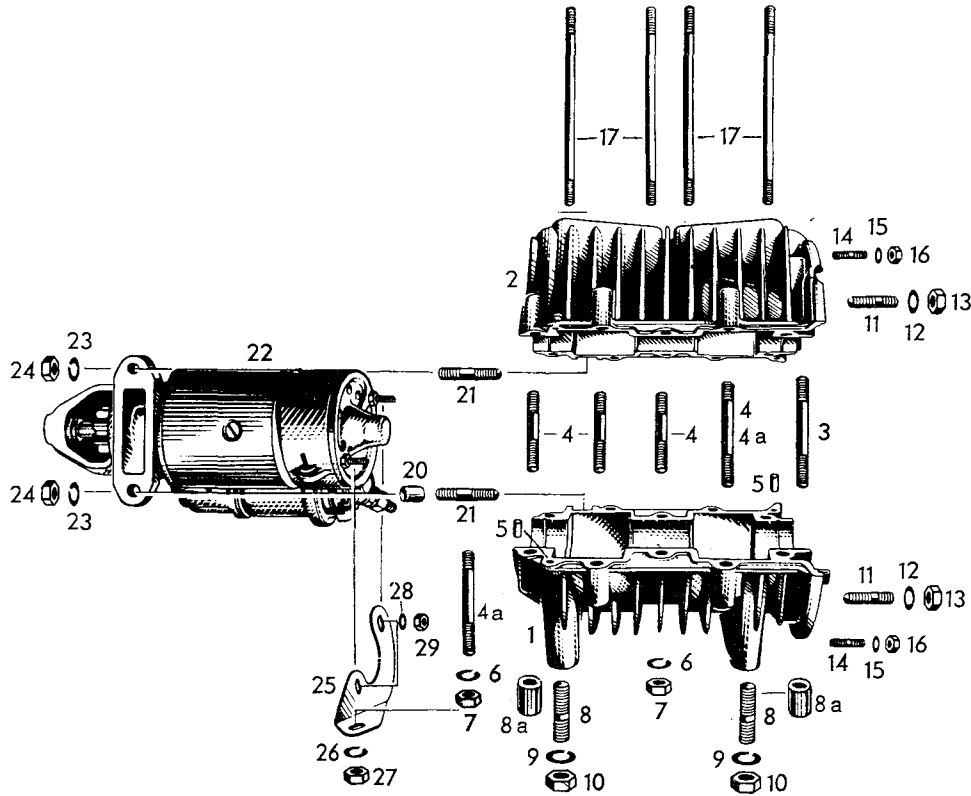
## 1969

371 - MANUAL

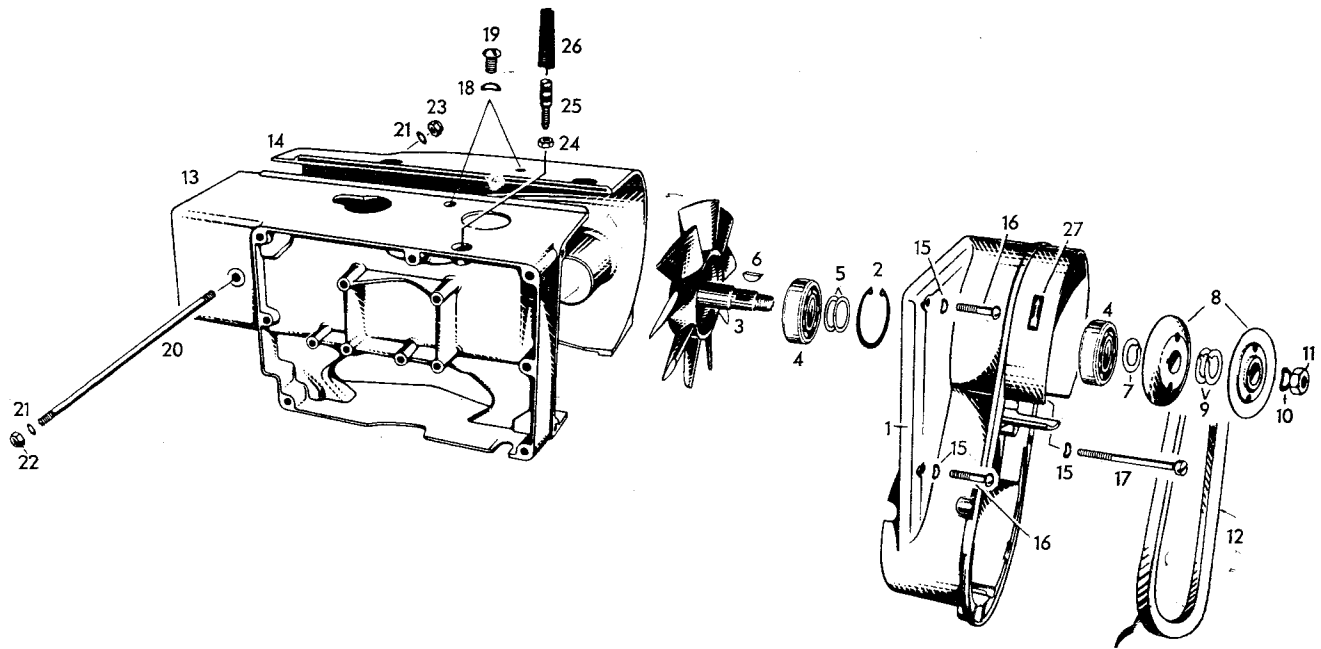
371 - ELECTRIC

# CRANKCASE, STARTER

# CARTER DE MOTEUR, DÉMARREUR

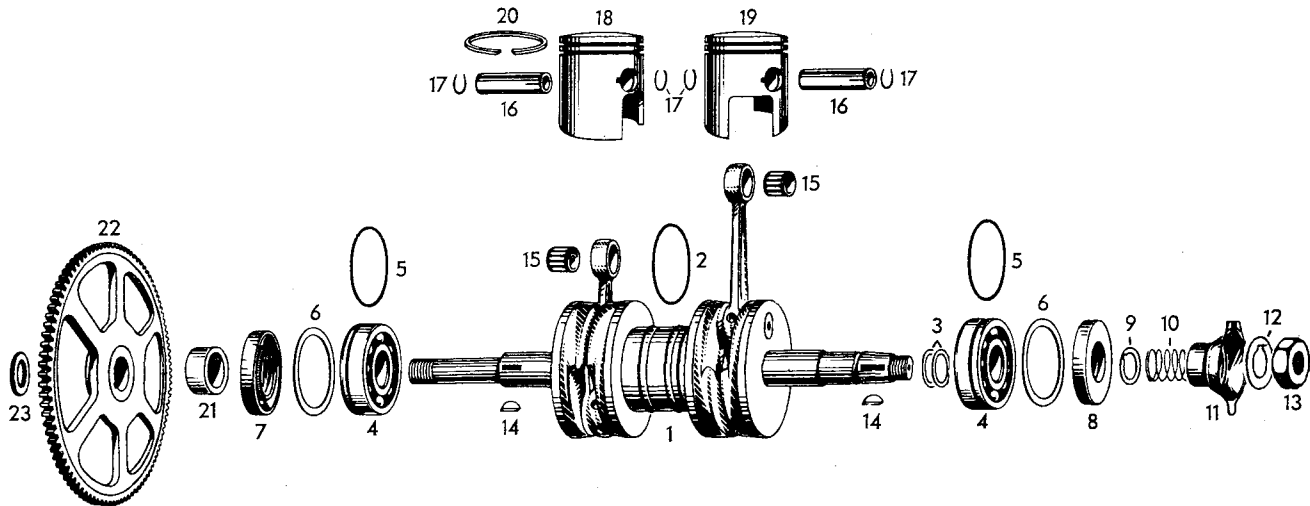


ITEM NO.	PART NO.	DESCRIPTION	QUANTITY		ITEM NO.	PART NO.	DESCRIPTION	QUANTITY	
			371	371E				371	371E
1, 2, 3, 4, 5,	402 0165	Crankcase	1	1	15	402 4133	Washer 5.3	2	2
3	402 0007	Stud M8 x 56	2	2	16	402 0105	Hex. stop nut M5	2	2
4	402 0123	Stud M8 x 37	8	8	17	402 2160	Stud M8, cylinder	8	8
5	402 0161	Dowel pin 5Ø x 10	2	2	20	402 7059	Dowel tube, electric starter	1	1
6	402 0016	Lock washer 8	10	10	21	402 2002	Stud M8 x 25	—	2
7	402 0018	Hex. nut M8	10	10	22	402 7060	Electric starter ass'y	—	1
8	402 0153	Stud M10 x 18	4	4	23	402 0016	Lock washer 8	—	2
9	402 0025	Lock washer 10	4	4	24	402 0017	Hex Nut M8	—	2
10	402 0026	Hex. nut M10	4	4	25	402 7070	Starter bracket	—	1
11	402 0115	Stud M8 x 16, fan housing	4	4	26	402 0016	Lock washer M8	—	1
12	402 1158	Locking washer 8	4	4	27	402 0018	Hex. nut M8	—	1
13	402 0134	Hex. nut M8	4	4	28	402 4022	Washer 5.3/11 x 1	—	2
14	402 4117	Stud M5 x 11.5	2	2	29	402 0105	Lock nut M5	—	2



ITEM NO.	PART NO.	DESCRIPTION	QUANTITY		ITEM NO.	PART NO.	DESCRIPTION	QUANTITY	
			371	371E				371	371E
1	402 0155	Fan housing	1	1	15	402 0133	Spring washer B6	3	3
2	402 0118	Locking ring	1	1	16	402 0151	Flat head screw M6 x 30	2	2
3	402 0154	Fan with shaft assy.	1	1	17	402 2125	Cyl. screw M6 x 80	1	1
4	402 0136	Ball bearing	2	2	18	402 0125	Spring washer B8	2	2
5	402 1018	Washer	2	2	19	402 0152	Flat head screw 5/16 x 15	2	2
6	402 1009	Woodruff key 3 x 5	1	1	20	402 0150	Stud M6 x 177	1	1
7	402 0129	Shim	1	1	21	402 4129	Washer 6.2	2	2
8	402 0163	Pulley half	2	2	22	402 2169	Locking nut M6	1	1
9	402 0129	Shim	4	4	23	402 2104	Lock nut M6	1	1
10	402 1084	Lock washer 14	1	1	24	402 2053	Hex Nut M6	1	1
11	402 1086	Hex. nut M14 x 1.5	1	1	25	402-0147	Adjustment screw, gas cable	1	1
12	402 0164	V-belt	1	1	26	402 0138	Support spring, gas cable	1	1
13	402 0157	Cylinder cowl, right	1	1	27	402 0092	Direction plate	1	1
14	402 0156	Cylinder cowl, left	1	1					

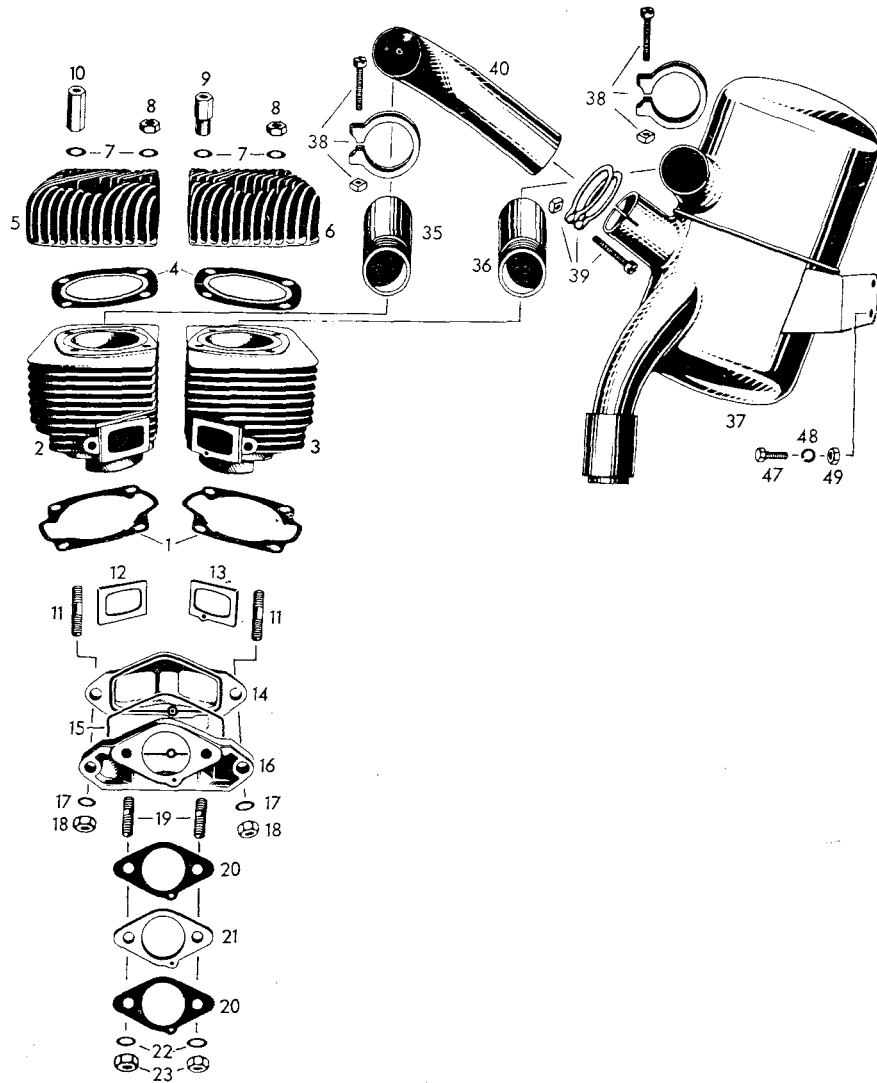




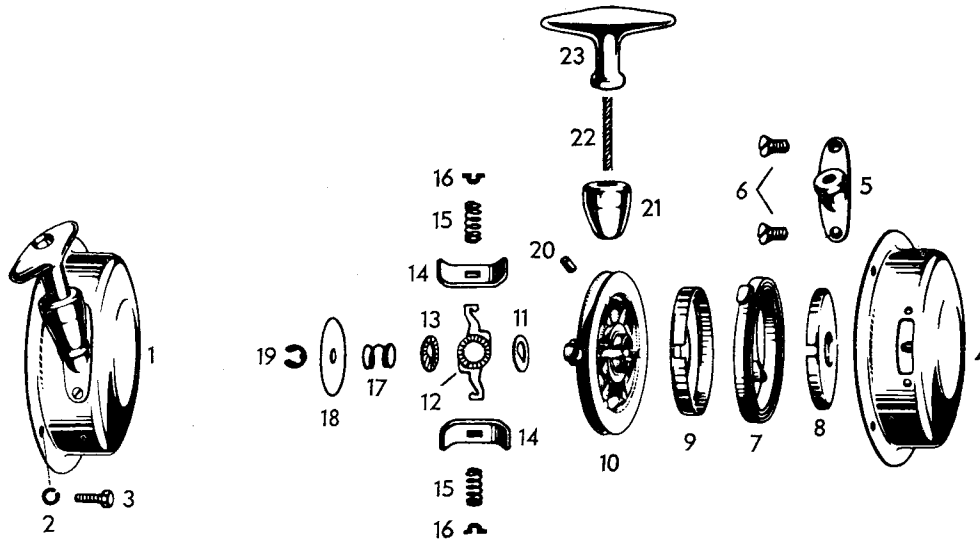
ITEM NO.	PART NO.	DESCRIPTION	QUANTITY		ITEM NO.	PART NO.	DESCRIPTION	QUANTITY	
			371	371E				371	371E
1, 2	402 1150	Crankshaft ass'y	1	1	16	402 1063	Gudgeon pin	2	2
2	402 1137	O-ring	3	3	17	402 1067	Circlip, gudgeon pin	4	4
3	402 1023	Shim 0.2 mm	—	—	18	402 1146	Piston ass'y with rings 62Ø std., p.t.o. side	1	1
3	402 1024	Shim 0.3 mm	—	—	18	402 1147	Dto., 62.5Ø p.t.o. side 1st oversize	1	1
3	402 1025	Shim 0.5 mm	—	—	19	402 1148	Piston ass'y, with rings 62Ø. std., magneto side	1	1
3	402 1026	Shim 1.0 mm	—	—	19	402 1149	Dto., 62.5Ø magneto side 1st oversize	1	1
3	402 1126	Shim 0,1 mm	—	—	20	402 1140	Rectangular ring 62Ø,2 mm high, std.	4	4
4	402 1142	Ball bearing	2	2	21	402 1141	Dto., 62,5Ø, 1st oversize	4	4
5	402 1137	O-ring	2	2	21	402 1143	Distance sleeve 14,5 mm	1	1
6	402 1135	Retaining washer	1	1	22	402 1120	Distance sleeve 21 mm, engine without electric starter only	—	1
7	402 1138	Oil seal	1	1	23	402 5049	Starter gear 77 t.	—	1
8	402 1136	Oil seal	1	1	402 1123	Washer, crankshaft p.t.o. side	1	1	
9	402 1035	Washer, cam spring	1	1					
10	402 1036	Spring, breaker cam	1	1					
11	402 1156	Breaker cam	1	1					
12	402 1040	Lock washer	1	1					
13	402 1043	Hex. nut M18 x 1.5	1	1					
14	402 1010	Woodruff key 5 x 6.5	2	2					
15	402 1033	Needle cage	2	2					

CYLINDER, MUFFLER

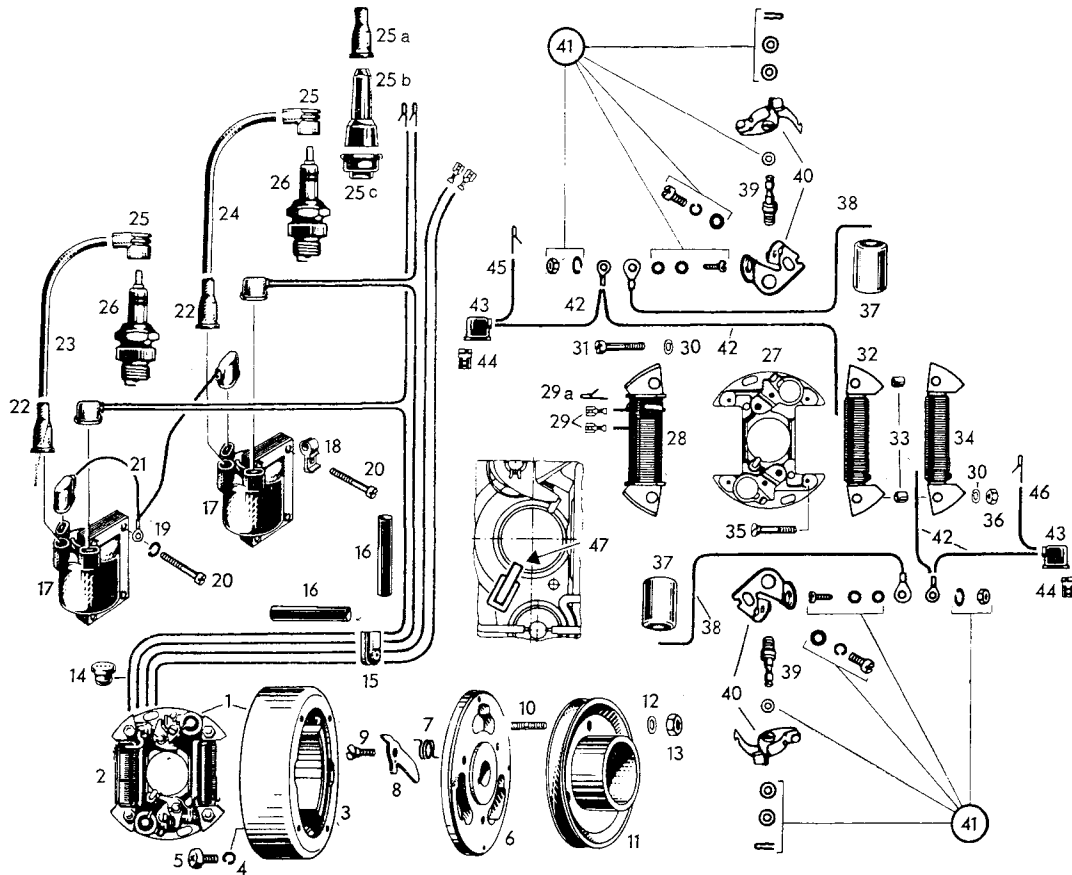
CYLINDRE, SILENCIEUX



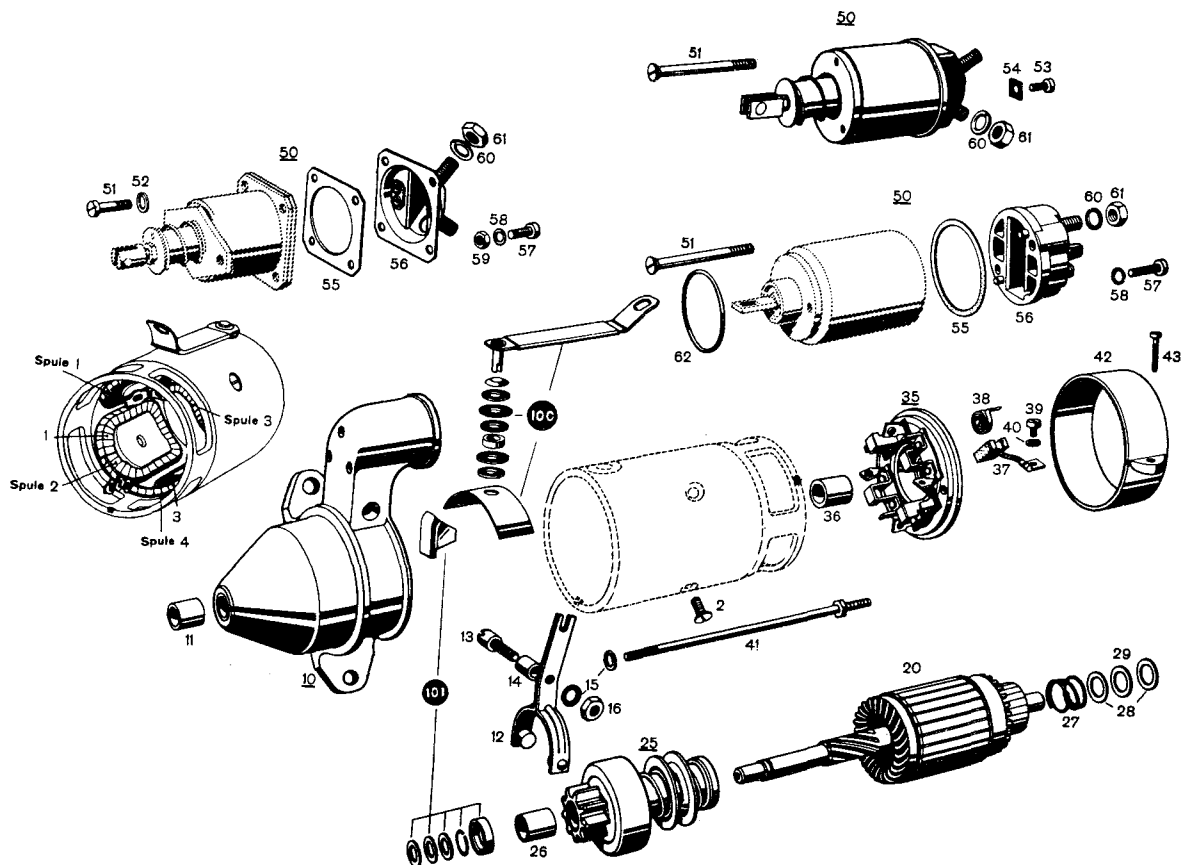
ITEM NO.	PART NO.	DESCRIPTION	QUANTITY		ITEM NO.	PART NO.	DESCRIPTION	QUANTITY	
			371	371E				371	371E
1	402 2132	Gasket, cylinder flange	2	2	18	402 2106	Lock nut M8	2	2
2	402 2153	Cylinder, p.t.o. side	1	1	19	402 0123	Stud M8 x 37, carburetor	2	2
3	402 2154	Cylinder, magneto side	1	1	20	404 0039	Tillotson carburetor flange gasket	2	2
4	402 2133	Gasket, cylinder head	2	2	21	402 2170	Isolating flange, 18,5 mm thick	1	1
5	402 2155	Cylinder head, p.t.o. side	1	1	22	402 2072	Isolating washer	2	2
6	402 2156	Cylinder head, magneto side	1	1	23	402 0018	Hex. nut M8	2	2
7	402 0031	Washer, cylinder head	8	8	35	402 2163	Exhaust socket 90 mm, p.t.o. side	1	1
8	402 0017	Hex. nut M8	3	3	36	402 2164	Exhaust socket 107 mm, magneto side	1	1
9	402 2143	Distance nut M8/5/16"	4	4	37, 38, 39, 40	402 2117	Muffler system assy.	1	1
10	402 2144	Distance nut M8/1/8-27NPT	1	1	38	402 2166	Clamp assy. 400	2	2
11	402 2141	Stud M8 x 34	2	2	39	402 2167	Clamp assy. 420	1	1
12	402 2134	Intake gasket, p.t.o. side cylinder	1	1	40	402 2165	Inlet elbow	1	1
13	402 2135	Intake gasket, magneto side cylinder	1	1	47	402 5010	Hex. screw M6 x 20	2	2
14	402 2148	Intake manifold	1	1	48	402 0015	Lock washer M6	2	2
15	402 2136	Ring gasket	1	1	49	402 2053	Hex. nut M6	2	2
16	402 2149	Intake cover	1	1					
17	402 0031	Washer	2	2					



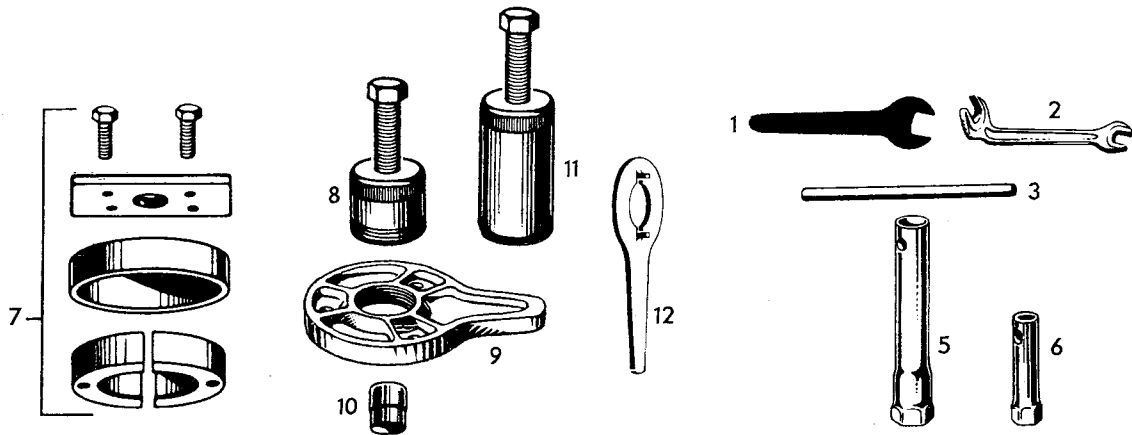
ITEM NO.	PART NO.	DESCRIPTION	QUANTITY		ITEM NO.	PART NO.	DESCRIPTION	QUANTITY	
			371	371E				371	371E
1	402 5046	Rewind starter assy.	1	1	12	402 5028	Pivot arm	1	1
2	402 0015	Lock washer 6	4	4	13	402 5027	Friction washer	1	1
3	402 5011	Hex. screw M6 x 15	4	4	14	402 5029	Pawl	2	2
4	402 7058	Starter housing	1	1	15	402 5030	Pawl spring	2	2
5	402 5036	Starter stop	1	1	16	402 5031	Pawl spring stop	2	2
6	402 5037	Countersunk screw M5 x 8	2	2	17	402 5032	Friction spring	1	1
7, 8, 9	402 5023	Spring cartridge assy.	1	1	18	402 5033	Cover washer	1	1
7	402 5022	Rewind spring	1	1	19	402 5034	Circlip	1	1
8	402 5038	Spring guide	1	1	20	402 5016	Bolt 5 x 6, starter rope	1	1
9	402 5044	Cover, spring guide	1	1	21	402 5039	Rubber buffer	1	1
10	402 5047	Rope sheave	1	1	22	402 5052	Starter rope 1350 mm	1	1
11	402 5026	D-washer	1	1	23	402 5019	Starter grip	1	1



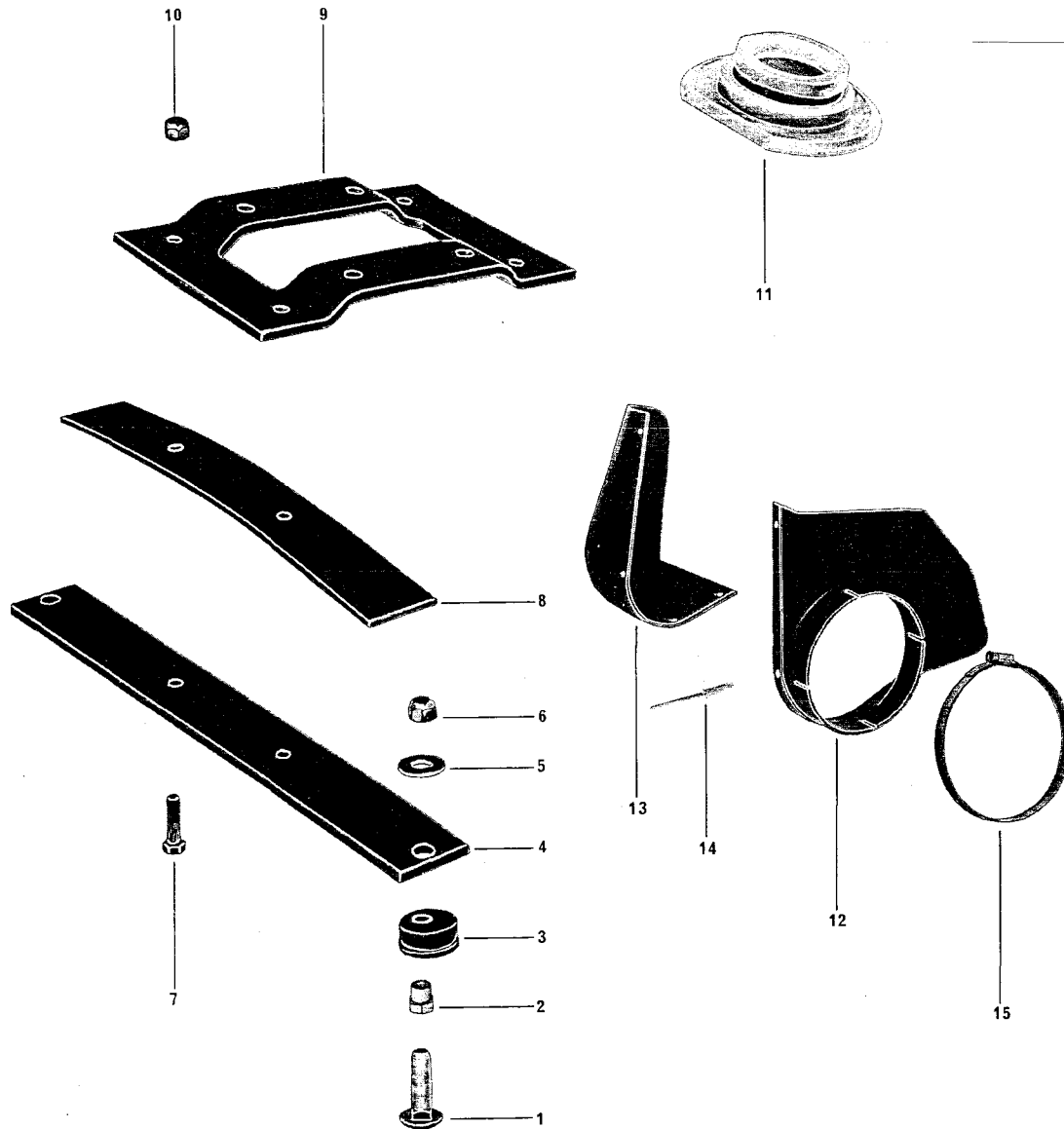
ITEM NO.	PART NO.	DESCRIPTION	QUANTITY		ITEM NO.	PART NO.	DESCRIPTION	QUANTITY	
			371	371E				371	371E
1+16	402 4168	Magneto generator assy. 12V. 75W.	1	1	25	402 4076	Spark plug protector	2	2
2	402 4170	Armature plate assy.	1	1	26	402 4145	Spark plug BOSCH W240 T1	2	2
3	402 4167	Magneto ring	1	1	27	402 4152	Armature plate alone	1	1
4	402 0015	Lock washer M6	4	4	28	402 4155	Lighting coil with cables 550 mm	1	1
5	402 4148	Cyl. screw with interior hex. M6 x 10,5	4	4	29	402 4176	Faston connector	2	2
6	402 4149	Magneto housing	1	1	30	402 4024	Lock washer M5	4	4
7	402 4096	Spring, centrifugal weight	1	1	31	402 4048	Cyl. screw M5 x 28	2	2
8	402 0146	Centrifugal weight	1	1	32	402 4151	Generator coil, bottom, right hand winding	1	1
9	402 4118	Bearing screw, centrifugal weight	1	1	33	402 4161	Distance sleeve	2	2
10	402 5050	Stud M8 x 15	3	3	34	402 4150	Generator coil, top, left hand winding	1	1
11	402 0162	V-belt pulley	1	1	35	402 4146	Countersunk screw M5 x 38	2	2
12	402 1158	Locking washer 8	3	3	36	402 7049	Hex. nut M5	2	2
13	402 0134	Hex. nut M8	3	3	37	402 4068	Condenser	2	2
14	402 4122	Cable grommet	1	1	38	402 4164	Cable, condenser	2	2
15	402 4158	Cable grommet	1	1	39	402 4049	Pivot pin, contact breaker	2	2
16	402 0168	Rubber sleeve 55 mm	2	2	40	402 4050	Contact points set	2	2
17	402 7008	Ignition coil	2	2	41	402 7016	Parts set, armature plate	2	2
18	402 4160	Plastic clamp, cables	1	1	42	402 4162	Generator cable assy. blue-black, 610-80 mm	2	2
19	402 4024	Lock washer 5	5	5	43	402 4159	Rubber cap	2	2
20	402 7004	Cyl. screw M5 x 22, ignition coil	6	6	44	402 4177	Faston connector	2	2
21	402 4153	Mass cable assy., yellow	1	1	45	402 4166	Shorting cable, black, 215 mm with pin	1	1
22	402 7003	Protection cap, ignition coil	2	2	46	402 4165	Shorting cable, yellow, 290 mm, with pin	1	1
23	402 4154	Ignition cable 145 mm	1	1	47	402 4141	Lubricating wick	1	1
24	402 4154	Ignition cable 145 mm	1	1					



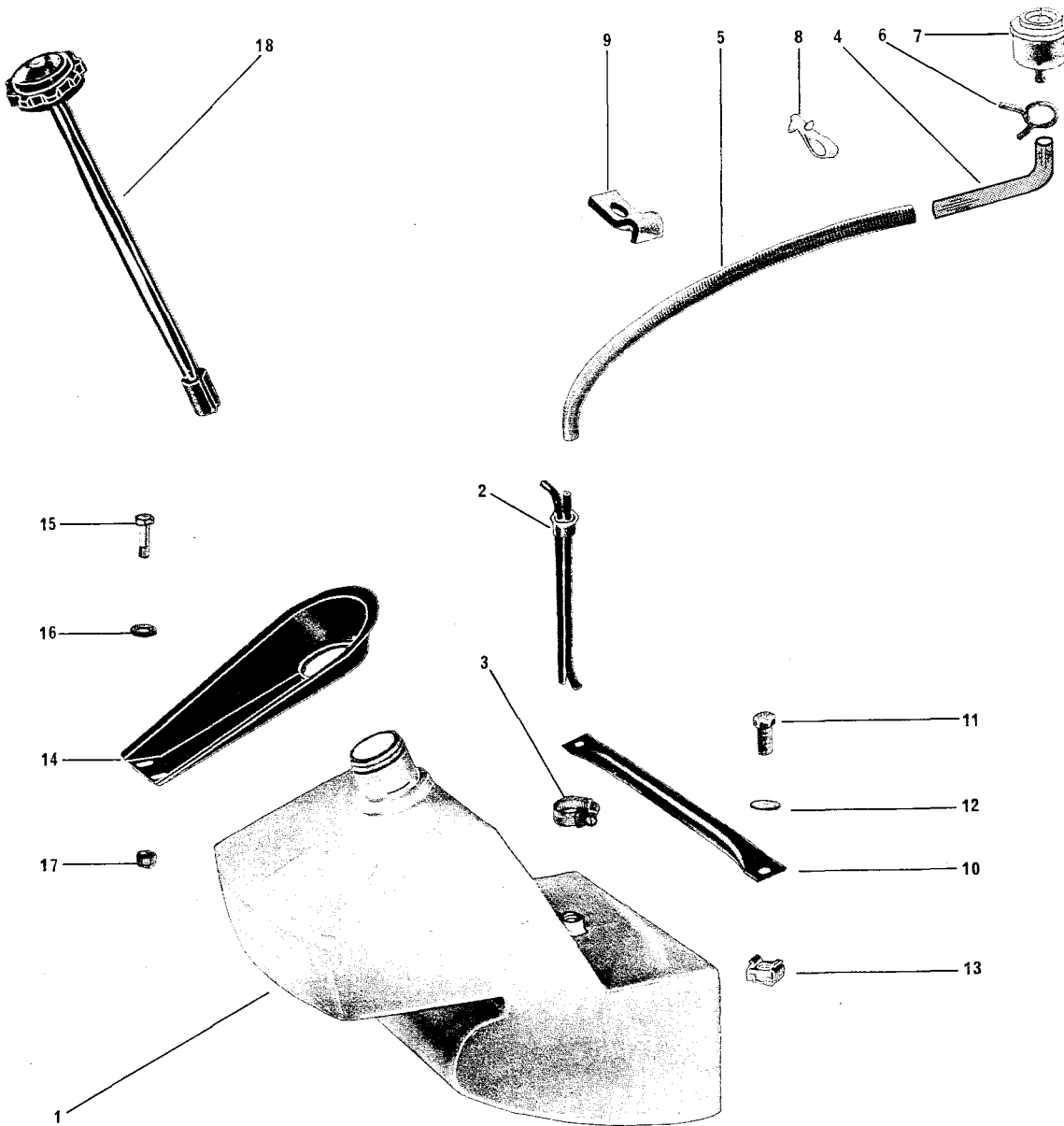
ITEM NO.	PART NO.	DESCRIPTION	QUANTITY 371E	ITEM NO.	PART NO.	DESCRIPTION	QUANTITY 371E
1	402 7064	Field winding, coils 3 & 4	1	36	402 7023	Bearing bushing	1
1	402 7065	Field winding, coils 1 & 2	1	37	402 7035	Carbon brush set (4 pieces)	1
2	402 7020	Countersunk screw M6 x 10	4	38	402 7031	Carbon brush spring	4
3	402 7069	Connecting rail	1	39a	402 7036	Cyl. screw M4 x 8	1
10, 11	402 7066	Drive end bracket	1	39b	402 7037	Cyl. screw M4 x 6	3
11	402 7023	Bearing bushing	1	40	402 4023	Lock washer M4	4
12	402 7025	Engaging lever	1	41	402 7048	Screw M5	2
13	402 7026	Screw M5	1	42	402 7040	Closing band	1
14	402 7027	Bushing	1	43	402 2158	Cyl. screw M4 x 16	1
15	402 4024	Lock washer M5	3	50	402 7041	Relay assy. (with parts ill. no. 53-59)	1
16	402 7049	Hex. nut M5	1	51	402 7042	Countersunk screw M5 x 50	3
20	402 7067	Armature	1	53	402 7036	Cyl. screw M4 x 8	1
25, 26	402 7068	Drive assy.	1	54	402 7043	Plate, terminal 50	1
26	402 7024	Bearing bushing	1	60	402 0016	Lock washer M8	1
27	402 7030	Helical spring, armature brake	1	61	402 7044	Hex. nut M8	1
28	402 7032	Washer 10,3/20/0,5	2	100	402 7045	Parts set for terminal	1
29	402 7033	Isolating washer 10,3/16/1	1	101	402 7046	Parts set for armature	1
35	402 7034	Commutator end bracket assy. (with parts ill. no. 36-40)	1				



ITEM NO.	PART NO.	DESCRIPTION	QUANTITY		ITEM NO.	PART NO.	DESCRIPTION	QUANTITY	
			371	371E				371	371E
1, 2, 3, 5, 6,	402 8054	Tool set assy.	1	1	7	402 8001	Remover, bearing (402 1142)	1	1
1	402 8046	One-end wrench 11 mm	1	1	8	402 8044	Puller assy., flywheel	1	1
2	402 8049	Angular wrench 10/13 mm	1	1	9	402 8045	Wrench to hold magneto housing	1	1
3	402 8039	Bolt 8 x 130, socket wrench	1	1	10	402 8005	Protection cap	1	1
5	402 8048	Socket wrench assy., spark plug	1	1	11	402 8055	Puller assy., starter gear	1	1
6	402 8024	Socket wrench 13 mm	1	1	12	402 8053	Wrench to hold pulley halves	1	1

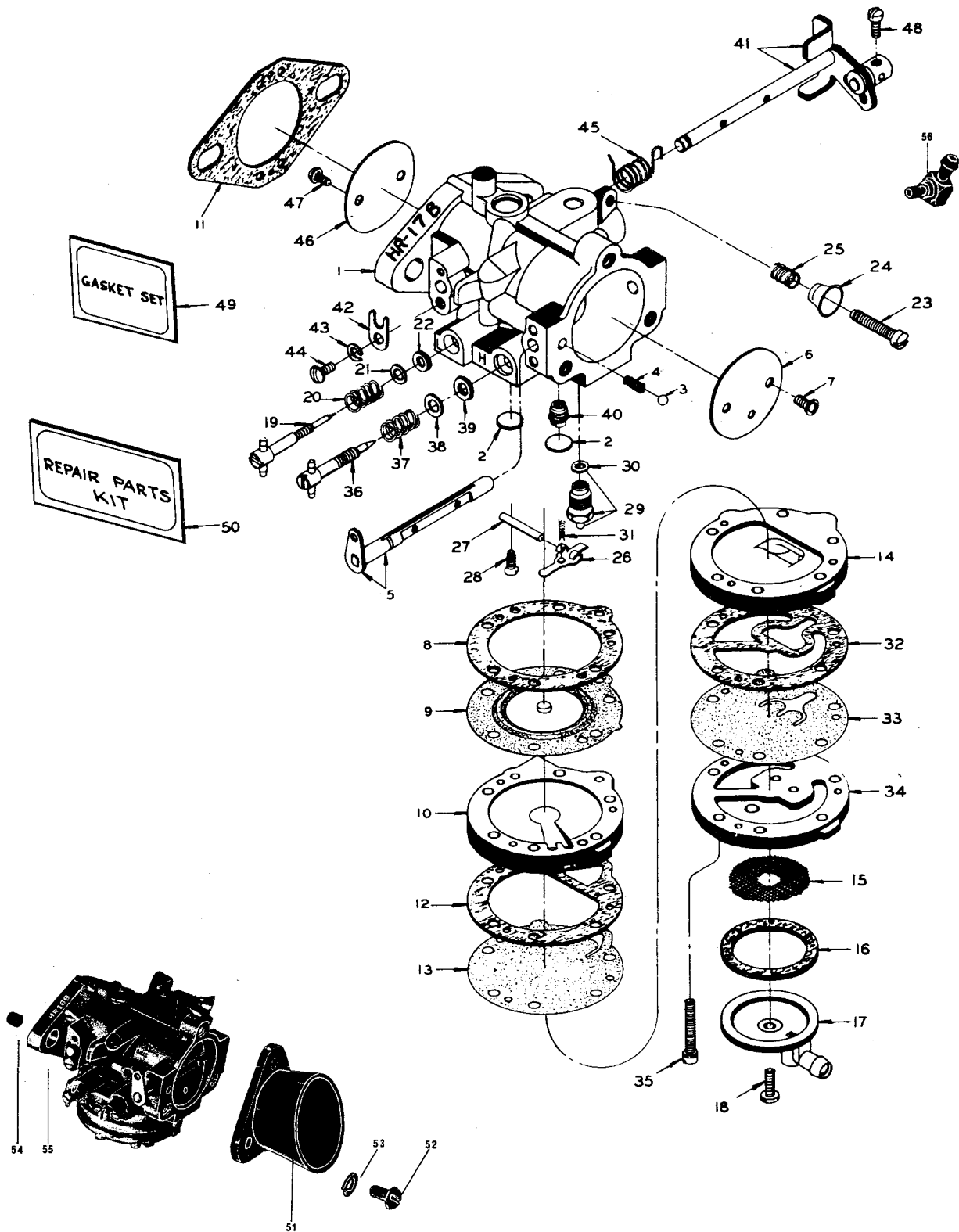


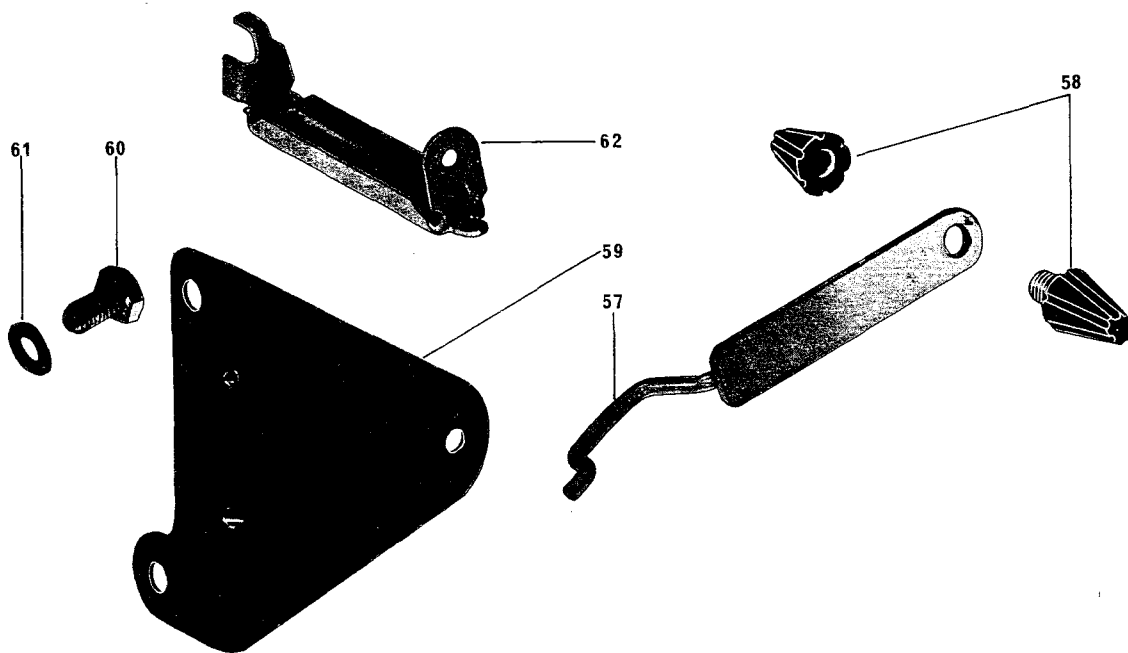
ITEM NO.	PART NO.	DESCRIPTION	QUANTITY		ITEM NO.	PART NO.	DESCRIPTION	QUANTITY	
			371	371E				371	371E
1	360 8010	Carriage Bolt	4	4	8	512 0045	Engine Leaf Spring	2	2
2	512 0011	Threaded Bushing	4	4	9	512 0032	Engine Bracket	1	1
3	570 1202	Insulator Rubber	4	4	10	386 6022	Nut	4	4
4	512 0031	Engine Support	2	2	11	570 1403	Exhaust Grommet	1	1
5	399 9006	Flat Washer	4	4	12	571 1201	Duct Inner Half	1	1
6	386 6024	Nut	4	4	13	571 1202	Duct Outer Half	1	1
7	309 8025	Cap Screw (with Knurling)	4	4	14	390 4017	Pop Rivet	3	3
					15	408 8001	Gear Clamp	1	1



ITEM NO.	PART NO.	DESCRIPTION	QUANTITY		ITEM NO.	PART NO.	DESCRIPTION	QUANTITY	
			371	371E				371	371E
1	414 0135	Fuel Tank	1	1	10	517 0118	Tank Retainer Tube	1	1
2	513 0046	Fuel Line Adapter	1	1	11	300 1001	Cap Screw	2	2
3	408 8004	Gear Clamp	1	1	12	399 8007	Lock Washer	2	2
4	414 0130	Fuel Line (Mult. 12'')	-	-	13	389 8029	Nut	2	2
5	414 0178	Isolating Line (Mult. 12'')	-	-	14	517 0124	Filler Neck Bib	1	1
6	414 0128	Hose Clamp	4	4	15	320 1102	Machine Screw	2	2
7	414 0112	Fuel Filter	1	1	16	391 0021	Flat Washer	2	2
8	114 0043	Hose Tie	1	1	17	386 6019	Nut	2	2
9	513 0053	Clip	1	1	18	414 0209	Fuel Tank Cap (with Gauge)	1	1

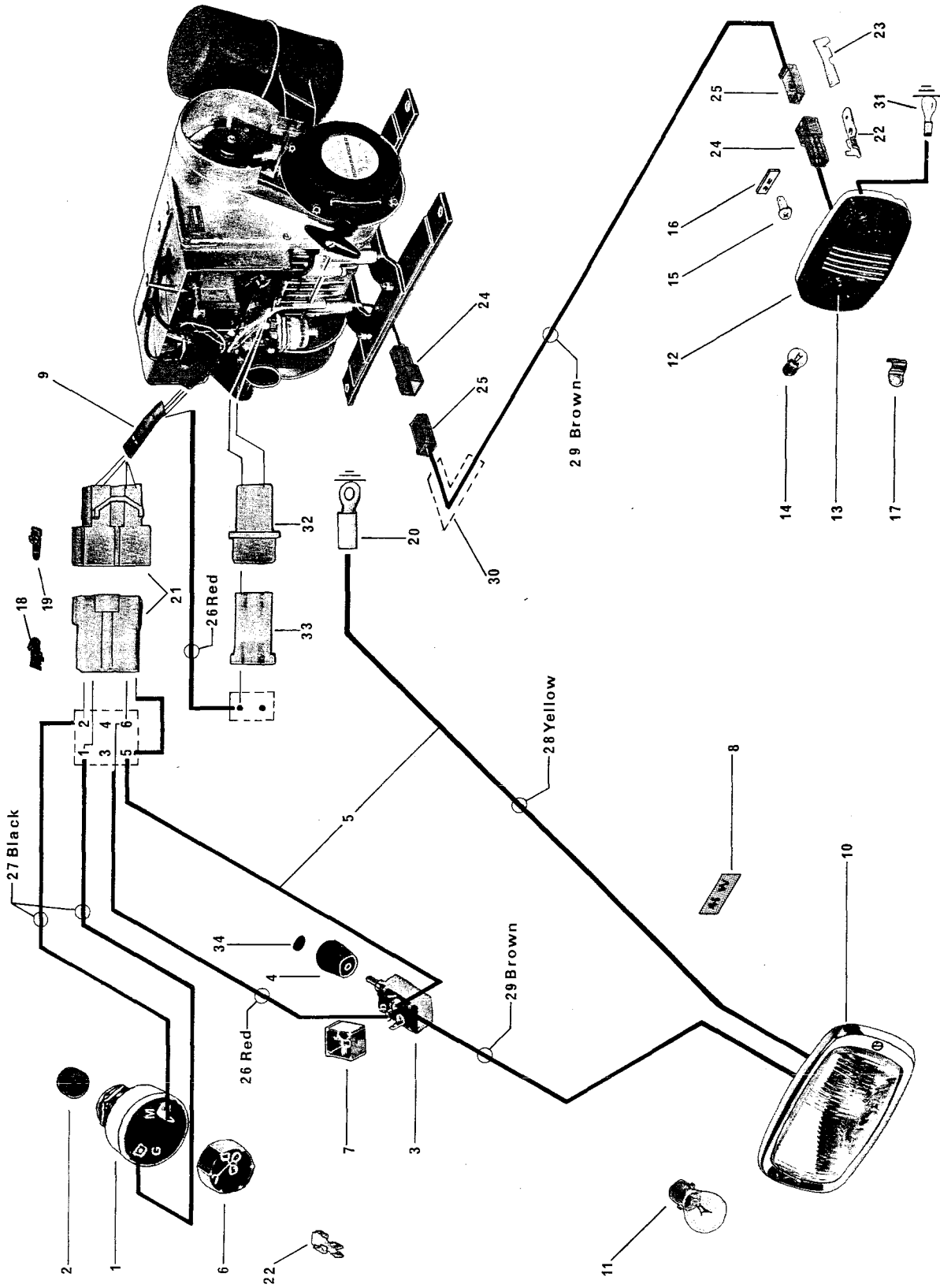




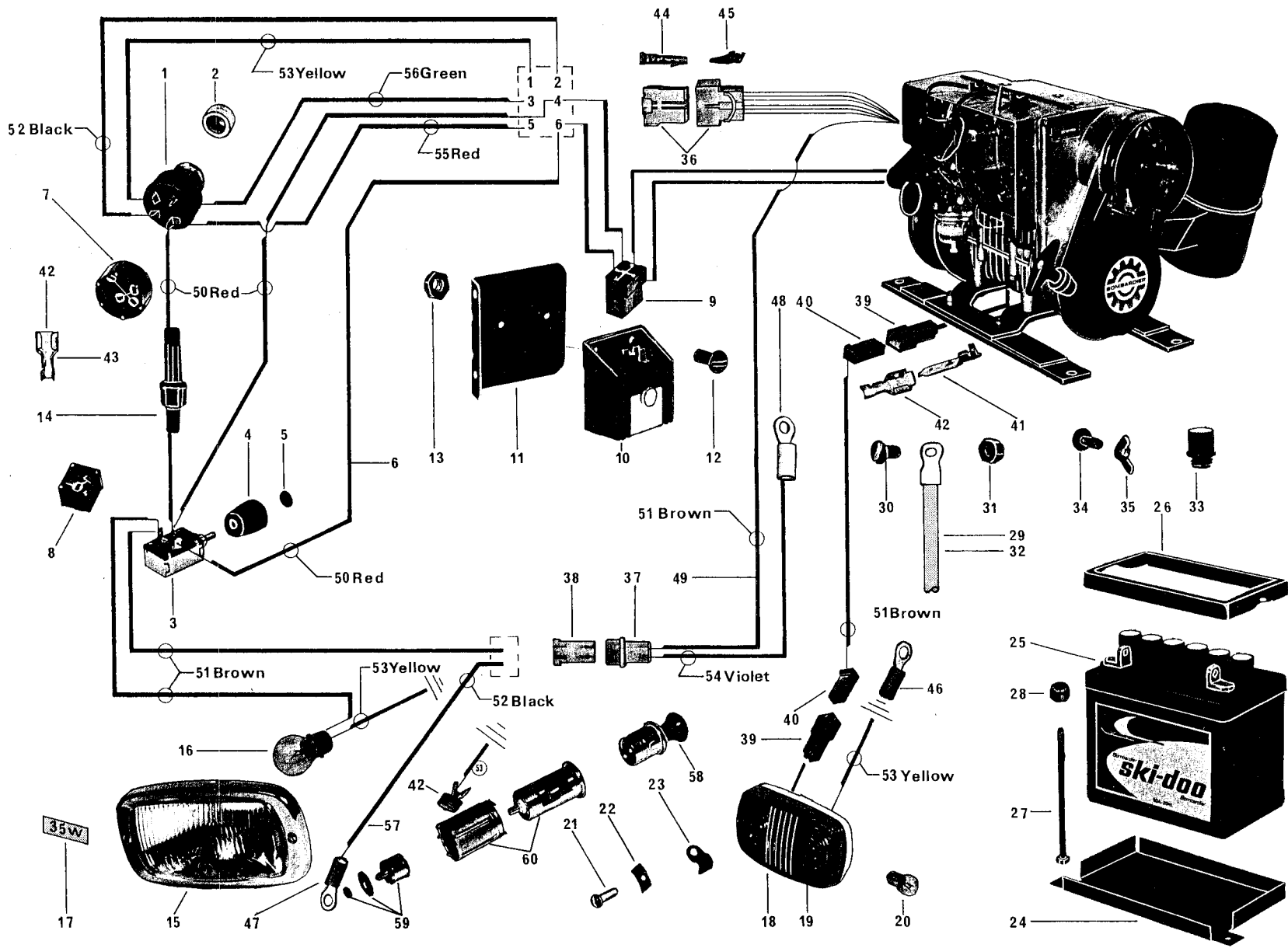


ITEM NO.	PART NO.	DESCRIPTION	QUANTITY		ITEM NO.	PART NO.	DESCRIPTION	QUANTITY	
			371	371E				371	371E
1	404 0205	Body (Service)	1	1	32	404 0196	Inlet Valve Gasket	1	1
2	404 0010	*Body Channel Welch Plug	2	2	33	404 0195	*Inlet Valve Diaphragm	1	1
3	404 0013	Choke Friction Ball	1	1	34	404 0193	Inlet Valve Body	1	1
4	404 0014	Choke Friction Spring	1	1	35	404 0194	Inlet Valve Body Ret. Screw	6	6
5	404 0186	Choke Shaft & Lever	1	1	36	404 0202	*High Speed Mixture Screw	1	1
6	404 0187	Choke Shutter	1	1	37	404 0068	*High Speed Mixture Screw Spring	1	1
7	404,0028	Choke Shutter Screw & Lockwasher	2	2	38	404 0058	High Speed Mixture Screw Washer	1	1
8	404 0030	Diaphragm Gasket	1	1	39	404 0063	High Speed Mixture Screw Packing	1	1
9	404 0032	*Diaphragm	1	1	40	404 0088	*Nozzle Check Valve	1	1
10	404 0188	Diaphragm Cover	1	1	41	404 0197	Throttle Shaft & Lever	1	1
11	404 0039	Flange Gasket	3	3	42	404 0102	Throttle Shaft Clip	1	1
12	404 0191	Fuel Pump Gasket	1	1	43	404 0105	Throttle Shaft Clip Lw.	1	1
13	404 0190	*Fuel Pump Diaphragm	1	1	44	404 0106	Throttle Shaft Clip Ret. Sc.	1	1
14	404 0189	Fuel Pump Body	1	1	45	404 0111	*Throttle Shaft Return Spring	1	1
15	404 0181	*Fuel Strainer Screen	1	1	46	404 0198	Throttle Shutter	1	1
16	404 0050	Fuel Strainer Cover Gasket	1	1	47	404 0028	*Throttle Shutter Screw & Lockwasher	2	2
17	404 0182	Fuel Strainer Cover	1	1	48	404 0134	*Throttle Wire Ret. Screw	1	1
18	404 0052	*Fuel Strainer Cover Ret. Screw	1	1	49	404 0199	*Gasket & Packing Set	1	1
19	404 0192	*Idle Mixture Screw	1	1	50	404 0206	Repair Parts Kit	1	1
20	404 0056	*Idle Mixture Screw Spring	1	1	51	570 1203	Intake Funnel	1	1
21	404 0057	Idle Mixture Screw Washer	1	1	52	321 7100	Machine Screw	3	3
22	404 0059	Idle Mixture Screw Packing	1	1	53	392 0019	Lock Washer	3	3
23	404 0066	*Idle Speed Screw	1	1	54	404 0157	Insulator Sleeve	2	2
24	404 0158	Idle Speed Screw Cup	1	1	55	403 0012	Carburetor Ass'y.	1	1
25	404 0067	*Idle Speed Screw Spring	1	1	56	404 0209	Elbow	1	1
26	404 0069	*Inlet Control Lever	1	1	57	512 0044	Choke lever	1	1
27	404 0072	Inlet Control Lever Fulcrum Pin	1	1	58	414 0294	Control knob (female)	1	1
28	404 0073	*Inlet Control Lever Fulcrum Pin Ret. Screw	1	1	58	414 0295	Control knob (male)	1	1
29	404 0159	*Inlet Needle, Seat & Gasket	1	1	59	512 0049	Choke bracket	1	1
30	404 0079	Inlet Seat Gasket	1	1	60	300 4000	Cap screw	2	2
31	404 0081	*Inlet Tension Spring	1	1	61	392 0019	Lockwasher	2	2
					62	512 0035	Choke pivot bracket	1	1

(\* ) Indicates contents of Repair Parts Kit



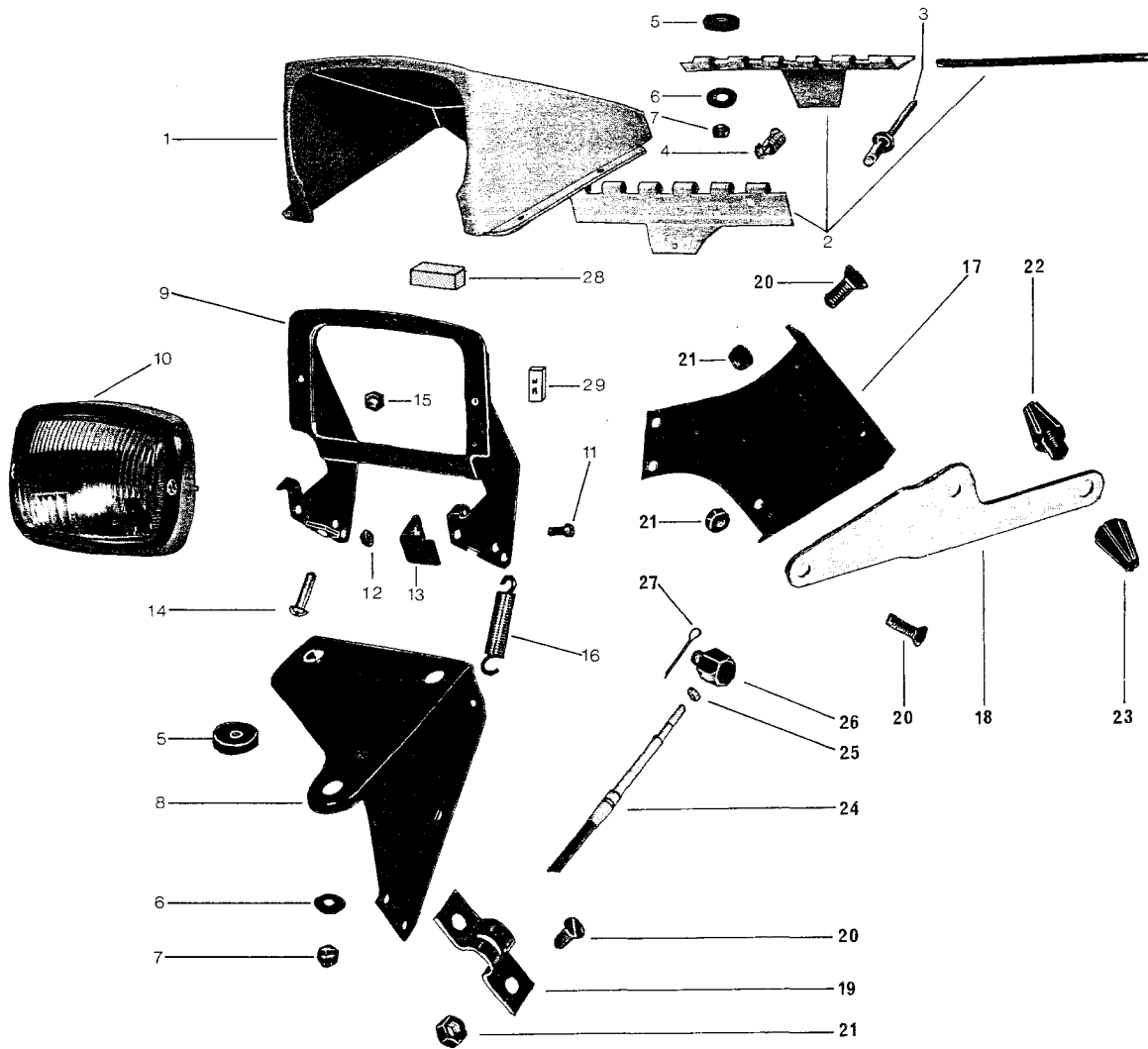
ITEM NO.	PART NO.	DESCRIPTION	QUANTITY 371	ITEM NO.	PART NO.	DESCRIPTION	QUANTITY 371
1	410 1006	Ignition Switch	1	19	409 0005	Pin Contactor	4
2	670 1503	Ignition Switch Boot	1	20	409 0017	Open Barrel	1
3	410 1004	Headlight Switch	1	21	409 2017	Pin & Housing Assembly	1
4	414 0251	Headlight Switch Knob	1	22	409 2014	Receptacle	4
5	580 0124	Harness Assembly with Block	1	23	409 2010	Tab	2
6	410 9033	Ignition Switch Block	1	24	409 2013	Tab Housing	2
7	410 9035	Headlight Switch Block	1	25	409 2012	Receptacle Housing	2
8	414 0281	Label 45 W	1	26	409 6011	Wire Red (Mult 12'')	—
9	515 0163	Spirap Tubing (Mult 12'')	—	27	409 6012	Wire Black (Mult 12'')	—
10	410 6010	Projector	1	28	409 6013	Wire Yellow (Mult 12'')	—
11	410 5008	Bulb 45W	1	29	409 6014	Wire Brown (Mult 12'')	—
12	410 6007	Tail Lamp Assembly	1	30	409 9001	Housing 3/16 (Mult 12'')	—
13	410 9019	Tail Lamp Lens	1	31	409 0018	Open Barrel	1
14	410 5006	Tail Lamp Bulb	2	32	409 2015	Tab Housing	1
15	321 6043	Machine screw	2	33	409 2016	Receptacle Housing	1
16	389 8010	Speed Nut	2	34	414 0345	Knob Decal	1
17	517 0096	Clip	1	—	099 0004	Vinyl Tape	—
18	409 0004	Socket Contactor	4				



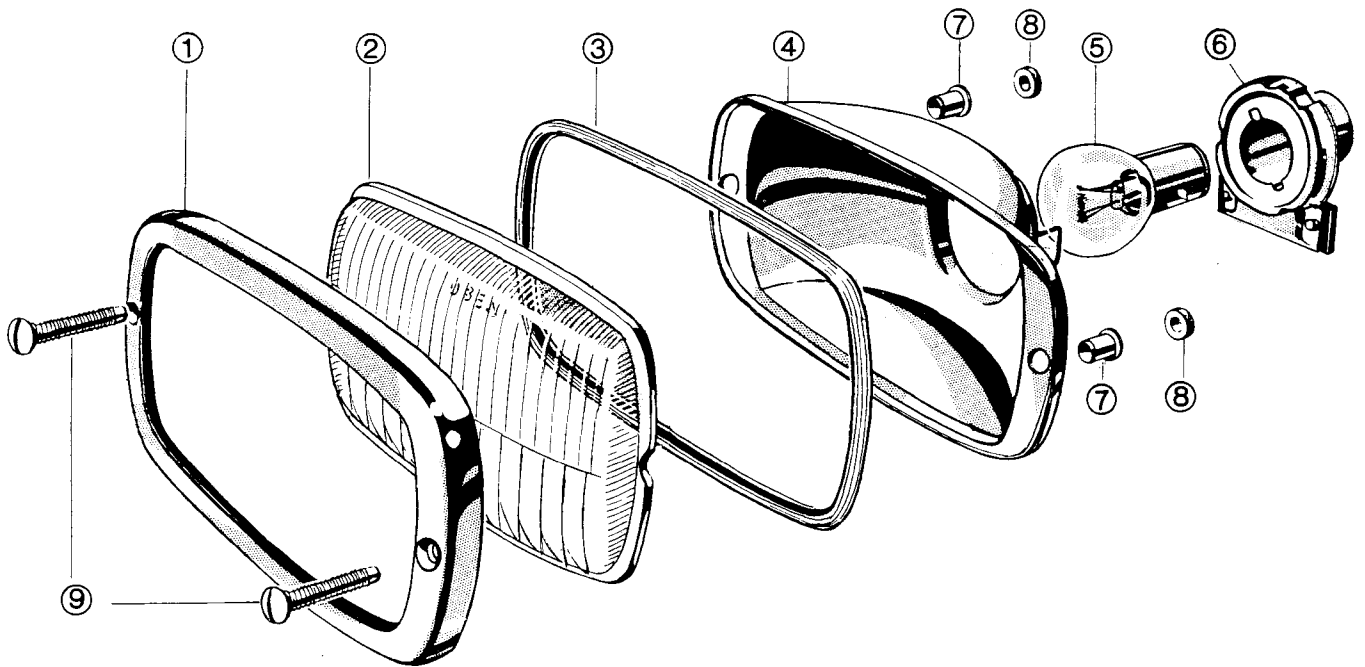
ITEM NO.	PART NO.	DESCRIPTION	QUANTITY 371 E	ITEM NO.	PART NO.	DESCRIPTION	QUANTITY 371 E
1	410 1007	Ignition switch	1	34	360 5050	Bolt (P)	1
2	670 1503	Ignition switch boot	1	35	386 4019	Wing nut (N)	1
3	410 1004	Headlight switch	1	35	386 4022	Wing nut (P)	1
4	414 0251	Headlight switch knob	1	36	409 2017	Pin & socket housing (6 cir.)	1
5	414 0345	Knob decal	1	37	409 2015	Tab housing (2 cir.)	1
6	580 0125	Harness ass'y	1	38	409 2016	Receptacle housing (2 cir.)	1
7	410 9033	Ignition switch block	1	39	409 2013	Tab housing (1 cir.)	2
8	410 9035	Headlight switch block	1	40	409 2012	Receptacle housing (1 cir.)	2
9	410 9034	Rectifier block	1	41	409 2010	Tab	3
10	410 9032	Rectifier (with fuse)	1	42	409 2014	Receptacle	11
11	512 0048	Rectifier bracket	1	43	409 2009	Receptacle (14 Ga.)	2
12	320 1062	Machine screw	2	44	409 0004	Socket contactor	6
13	386 6013	Nut	2	45	409 0005	Pin contactor	4
14	410 9038	Fuse holder	1	46	409 0018	Open barrel	1
15	410 6010	Projector	1	47	409 0019	Open barrel	4
16	410 5009	Bulb (35W)	1	48	409 0020	Open barrel	1
17	414 0280	Label 35W	1	49	515 0166	Wiring ass'y.	1
18	410 6007	Tail lamp ass'y	1	50	409 6018	Wire red 16 Ga. (Mult. 12'')	—
19	410 9019	Tail lamp lens	1	51	409 6020	Wire brown 16 Ga. (Mult. 12'')	—
20	410 5006	Tail lamp bulb	2	52	409 6021	Wire black 16 Ga. (Mult. 12'')	—
21	321 6043	Machine screw	2	53	409 6022	Wire yellow 16 Ga. (Mult. 12'')	—
22	389 8010	Nut	2	54	409 6024	Wire violet 16 Ga. (Mult. 12'')	—
23	517 0096	Clip	1	55	409 6025	Wire red 14 Ga. (Mult. 12'')	—
24	515 0135	Battery seat	1	56	109 5022	Wire green 14 Ga. (Mult. 12'')	—
25	410 3002	Battery	1	57	414 0320	Wire	—
26	515 0156	Battery cover	1	58	414 0321	Lighter	—
27	300 4026	Retaining screw	2	59	414 0318	Circuit breaker	1
28	387 0019	Nut	2	60	414 0319	Socket & retainer	1
29	409 6006	Ground wire	1	—	410 3003	Acid container	—
30	320 1100	Machine screw	1	—	409 9001	Housing 3/16Ø (Mult. 12'')	—
31	386 6019	Nut	1	—	410 9041	Fuse 5 amp. — 35 watts	2
32	409 6023	Current wire	1	—	410 9023	Fuse 9 amp. — 35 watts	1
33	410 3004	Battery cap	6	—	099 0004	Vinyl tape	—
34	360 5020	Bolt (N)	1	—	570 1502	Grommet	1

# HEADLAMP MECHANISM

# MÉCANISME DE PHARE



ITEM NO.	PART NO.	DESCRIPTION	QUANTITY		ITEM NO.	PART NO.	DESCRIPTION	QUANTITY	
			371	371E				371	371E
1	571 1733	Headlamp housing	1	1	15	380 0019	Nut	1	1
2	582 1016	Hinge	1	1	16	414 0246	Headlamp spring	1	1
3	390 4013	Rivet	4	4	17	515 0138	Control bracket	1	1
4	414 0229	Housing spring	1	1	18	515 0139	Control lever	1	1
5	570 1730	Rubber	9	9	19	515 0140	Cable clamp	2	2
6	399 9008	Flat washer	5	5	20	320 1061	Machine screw	7	7
7	387 5019	Nut	5	5	21	386 7002	Nut	7	7
8	515 0137	Headlamp support	1	1	22	414 0295	Control knob (male)	1	1
9	515 0142	Headlamp ring	1	1	23	414 0294	Control knob (female)	1	1
10	410 6010	Projector	1	1	24	414 0216	Control cable	1	1
11	320 1061	Machine screw	4	4	25	380 5013	Nut	1	1
11	320 1062	Machine screw	4	4	26	515 0141	Headlamp pivot	1	1
12	386 7002	Nut	4	4	27	371 0001	Cotter pin	2	2
13	515 0157	Stop bracket	1	1	28	107 7002	Spacer strip (Mult. 12")	-	-
14	321 7103	Adjustment screw	1	1	29	389 8010	Speed nut	2	2



ITEM NO.	PART NO.	DESCRIPTION	QUANTITY	ITEM NO.	PART NO.	DESCRIPTION	QUANTITY
1	410 6012	Chromed	1	5	410 5008	Bulb 45W	1
2	410 6014	Glass	1	6	410 6015	Socket	1
3	410 6013	Rubber Ring	1	7	C.S.A.	Blank	2
4	C.S.A.	Reflector	1	8	C.S.A.	Washer	2
5	410 5009	Bulb 35W	1	9	410 6011	Bolt	2

Symbol "C.S.A.": Part numbers coded "C.S.A." are for components superseded by complete. Individual Parts are no longer available.

Symbole "C.S.A.": Les numéros de pièces avec le code "C.S.A." sont pour les pièces utilisées pour fabriquer une assemblée qui n'est plus disponible. Ces pièces sont remplacées par l'assemblée complète.

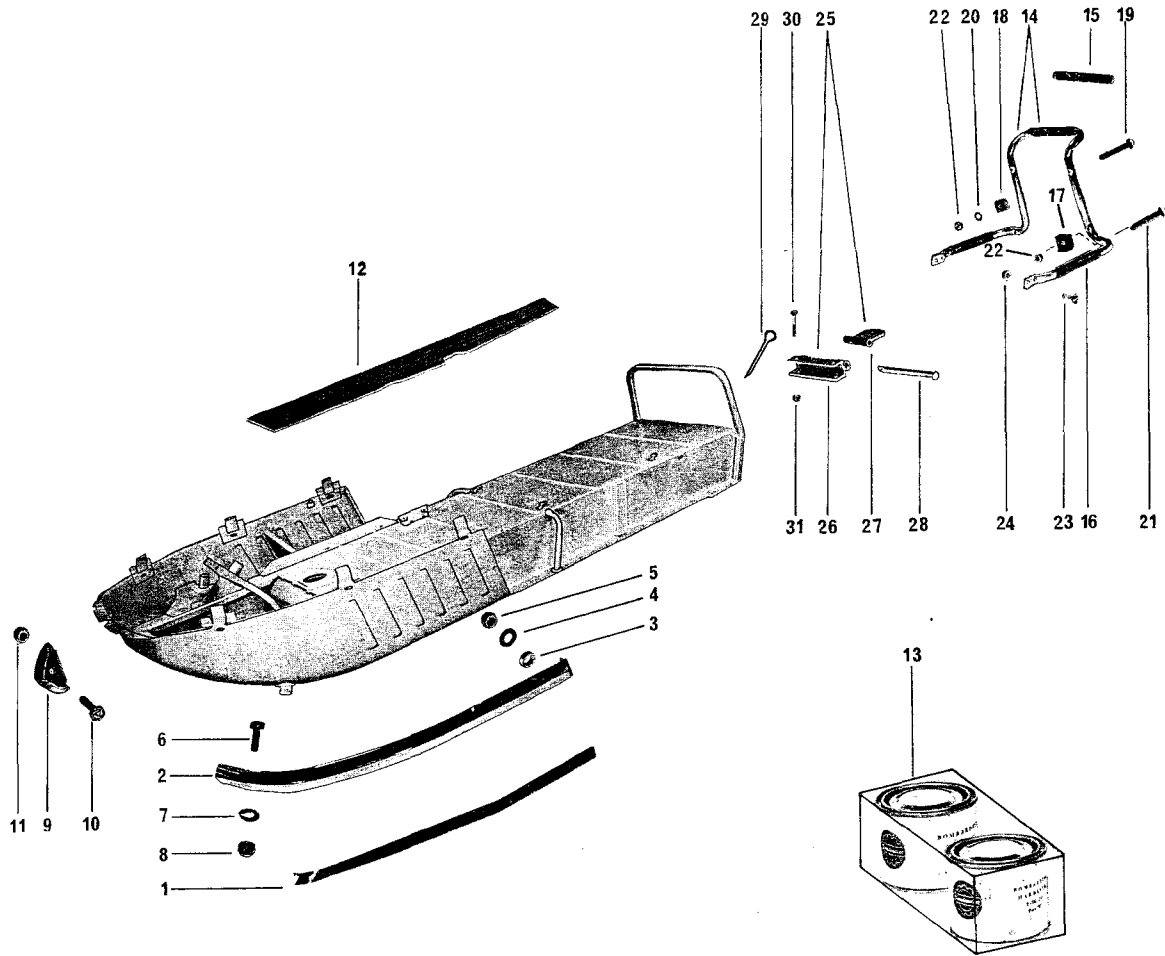




FRAME

BODY

CHASSIS

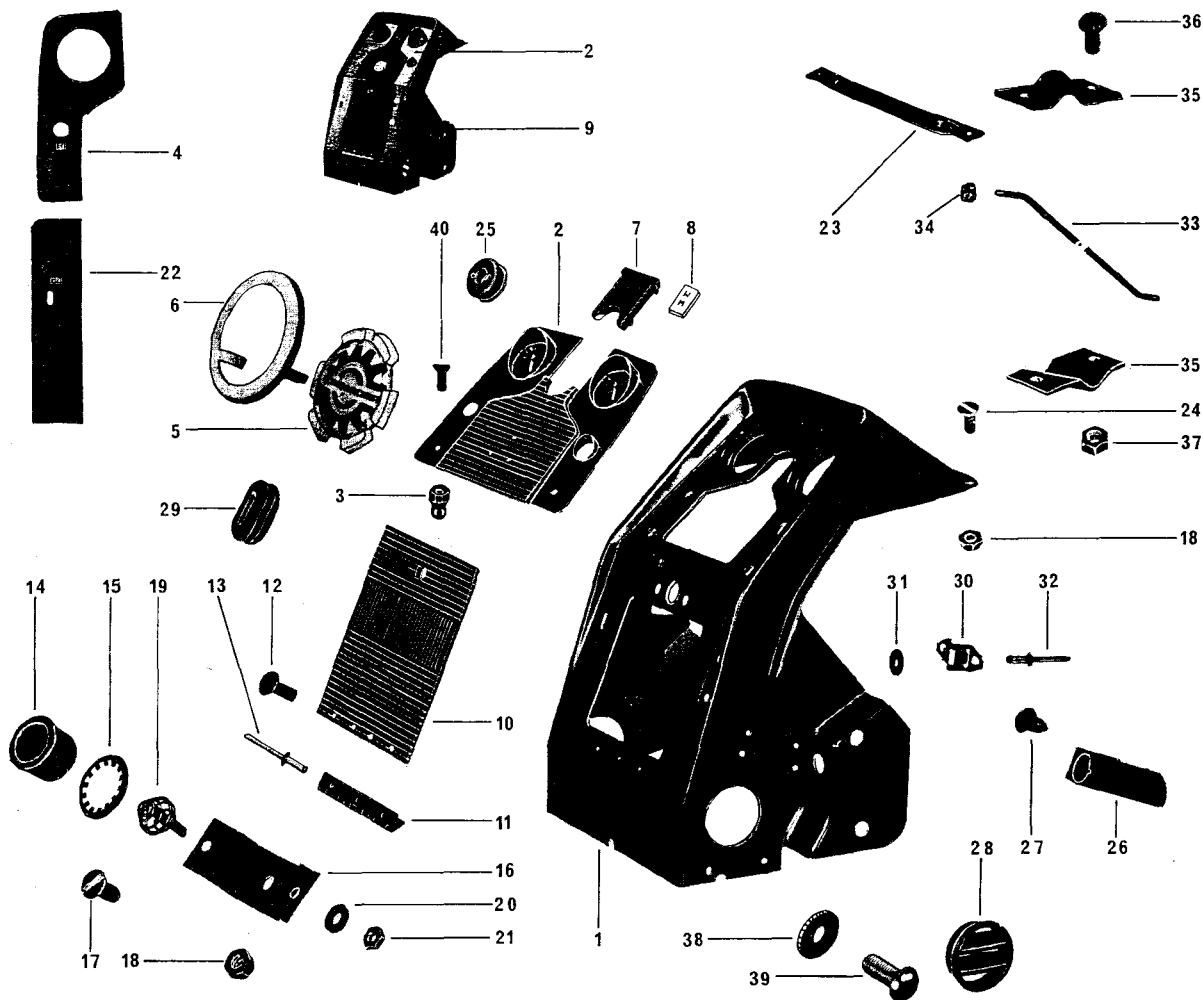


ITEM NO.	PART NO.	DESCRIPTION	QUANTITY		ITEM NO.	PART NO.	DESCRIPTION	QUANTITY	
			371	371E				371	371E
1	414 0206	Bottom Plate Stripe	1	1	16	414 0016	Grip	2	2
2	517 0119	R.H. Bumper	1	1	17	570 1704	Rubber Spacer	4	4
2	517 0120	L.H. Bumper	1	1	18	570 1706	Skew Spacer	2	2
3	517 0152	Spacer	6	6	19	327 3070	Machine Screw	2	2
4	391 0021	Flat Washer (9/32)	6	6	20	391 0017	Flat Washer	2	2
5	386 9003	Nut	6	6	21	327 3072	Machine Screw	2	2
6	300 1001	Bolt	2	2	22	386 6013	Nut	4	4
7	391 0021	Flat Washer	2	2	23	330 5101	Machine Screw	2	2
8	386 6019	Nut	2	2	24	386 6019	Nut	2	2
9	570 1712	Front Rubber Bumper	1	1	25	581 2004	Hitch Plate Ass'y.	1	1
10	300 1003	Bolt	1	1	26	517 0086	Hitch Bracket	1	1
11	396 6019	Nut	1	1	27	517 0087	Hitch Plate	1	1
12	570 1717	R.H. Foot Pad	1	1	28	517 0097	Pin	1	1
12	570 1718	L.H. Foot Pad	1	1	29	371 8002	Cotter Pin	1	1
13	414 0066	Epoxy Glue	-	-	30	309 8014	Bolt	2	2
14	580 0107	Rear Bumper Ass'y.	1	1	31	386 6019	Nut	2	2
15	414 0191	Grip	1	1					

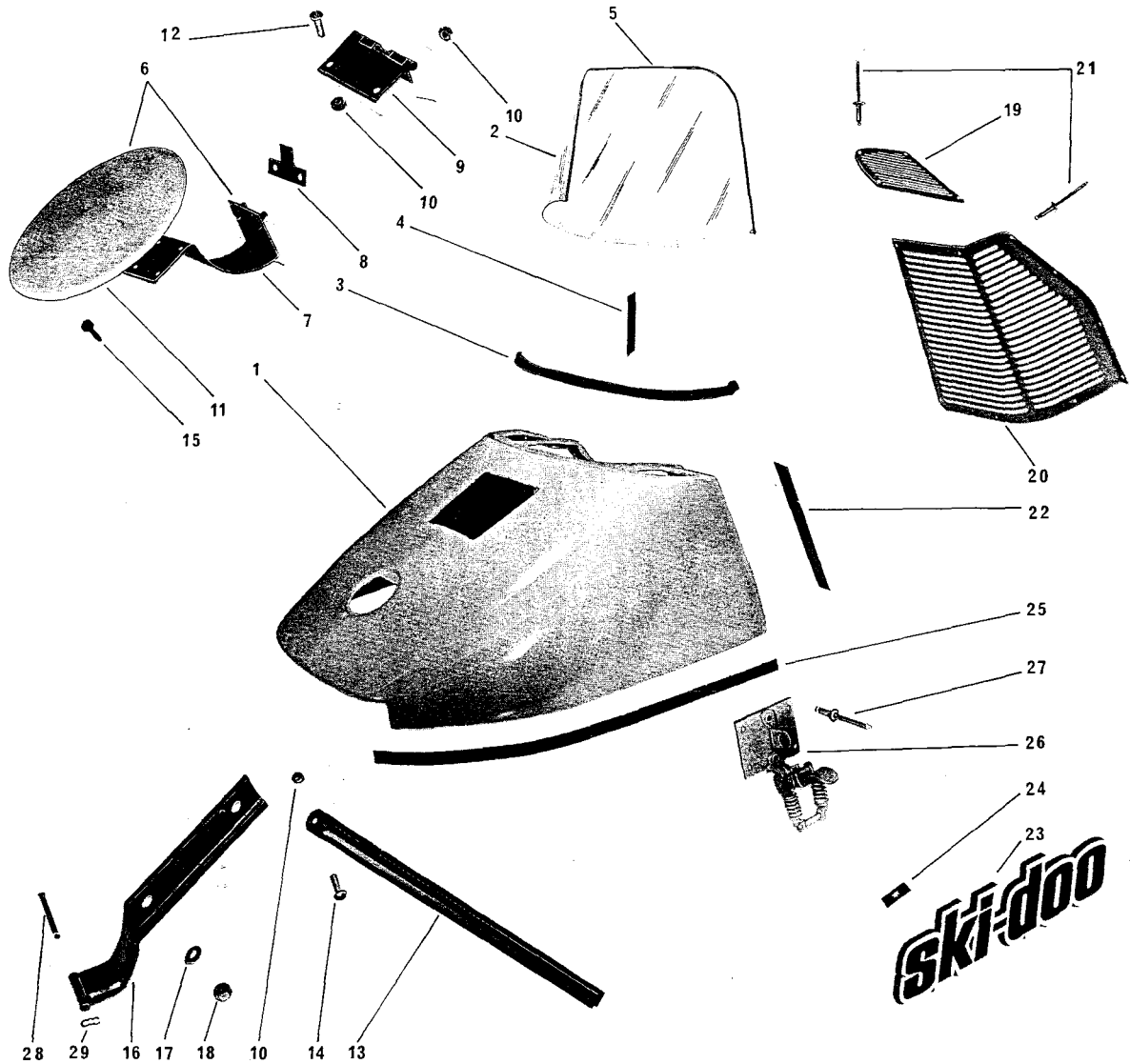
**CONSOLE**

**BODY**

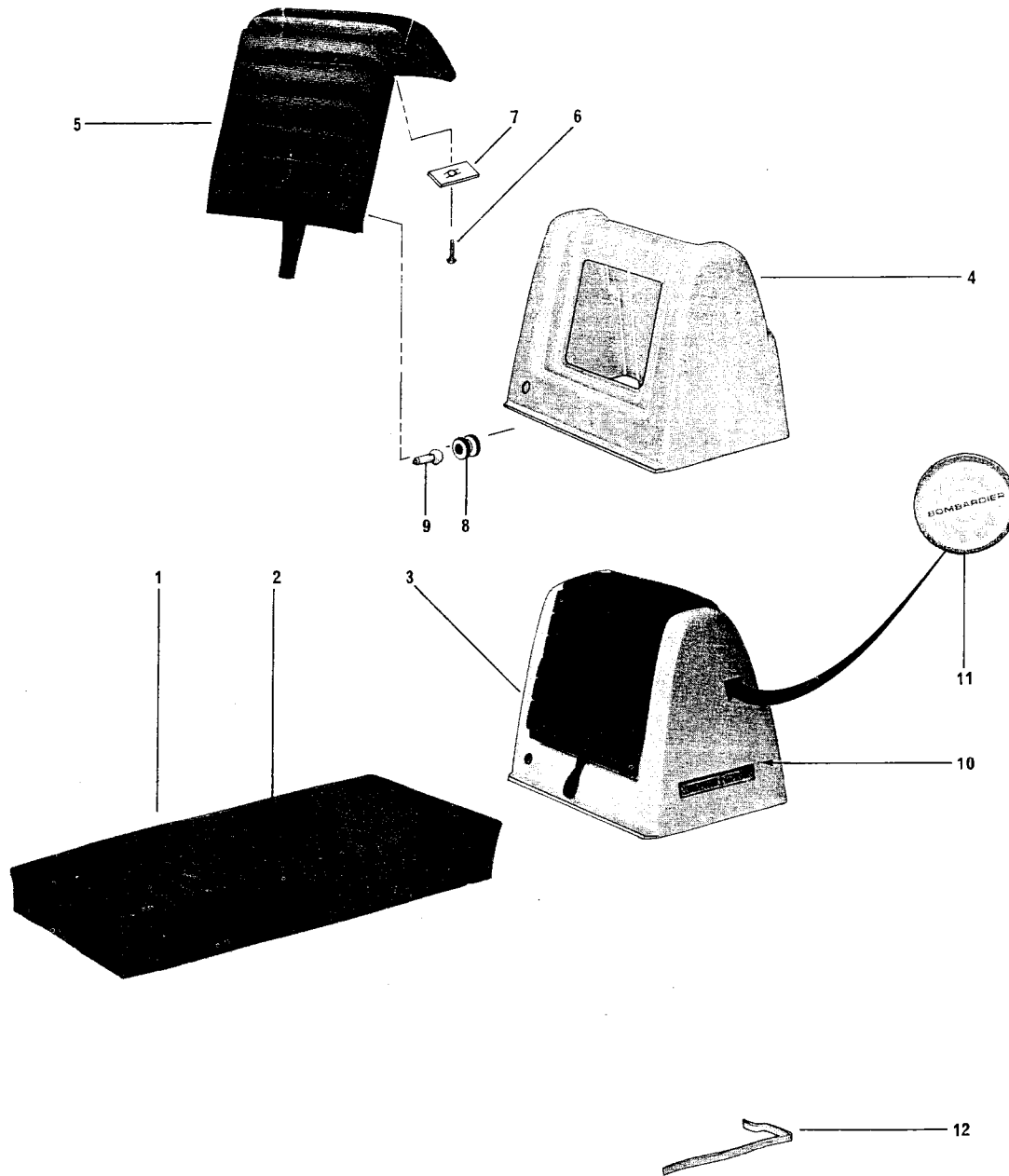
**CONSOLE**



ITEM NO.	PART NO.	DESCRIPTION	QUANTITY		ITEM NO.	PART NO.	DESCRIPTION	QUANTITY	
			371	371E				371	371E
1	571 1734	Console	—	1	20	391 0017	Flat washer	1	1
1	571 1756	Console	1	—	21	414 0203	Nut	1	1
2	581 0102	Upper Access Cover Ass'y.	—	1	22	414 0214	L.H. Console panel	—	1
2	581 0114	Upper Access Cover Ass'y.	1	—	22	414 0289	L.H. Console panel	1	—
3	414 0213	Anchor Stud	2	2	22	414 0215	R.H. Console panel	1	1
4	414 0197	L.H. Dash Panel	1	1	23	517 0129	Console support	1	1
4	414 0198	R.H. Dash Panel	—	1	24	323 3063	Machine screw	2	2
4	414 0258	R.H. Dash Panel	1	—	25	570 1713	Console grommet	1	1
5	414 0186	Console Crest	1	1	26	517 0169	Rewind extension	1	1
6	517 0123	Crest Retaining Ring	1	1	27	365 0008	Screw	4	4
7	571 1729	Upper Cover Insert	1	1	28	570 1722	Console grille (Side)	2	2
8	389 8027	Speed Nut	4	4	29	570 1206	Choke grommet	1	1
9	581 0103	Lower Access Cover Ass'y.	1	1	30	414 0217	Anchor clip	2	2
10	571 1730	Lower Access Cover	1	1	31	399 9013	Flat washer	4	4
11	517 0125	Hinge	1	1	32	390 4001	Pop rivet	4	4
12	390 2003	Rivet	4	4	33	517 0130	Console support rod	2	2
13	390 4013	Rivet	3	3	34	380 6019	Nut	8	8
14	414 0202	Button	1	1	35	517 0131	Lock plate	2	2
15	414 0200	Retainer	1	1	36	320 1062	Machine screw	2	2
16	517 0126	Push Button Bracket	1	1	37	386 6013	Nut	2	2
17	323 3061	Machine screw	2	2	38	399 8010	Tooth lock washer	4	4
18	386 7002	Nut	4	4	39	320 9102	Machine screw	4	4
19	414 0201	Stud Ass'y.	1	1	40	355 0011	Machine screw	2	2



ITEM NO.	PART NO.	DESCRIPTION	QUANTITY		ITEM NO.	PART NO.	DESCRIPTION	QUANTITY	
			371	371E				371	371E
1	571 1732	Cab	1	1	16	517 0133	R.H. Cabin Hinge	1	1
2	414 0225	Windshield	1	1	17	391 0023	Flat Washer	4	4
3	570 1715	Windshield Anchor Strip	1	1	18	387 5019	Nut	4	4
4	517 0142	Windshield Anchor Tab	9	9	19	517 0134	Upper Grille	2	2
5	414 0225	Windshield Protector (Mult. 12'')	—	—	20	517 0135	L.H. Lower Grille	1	1
					20	517 0136	R.H. Lower Grille	1	1
6	581 0110	Filler Door Ass'y.	1	1	21	390 4019	Pop Rivet	26	26
7	513 0039	Hinge Bracket	1	1	22	414 0211	Contour Cab Moulding (Mult. 12'')	—	—
8	513 0040	Spring Plate	1	1	23	414 0212	Name Plate	2	2
9	582 0103	Hinge	1	1	24	389 8019	Speed Nut	6	6
10	386 7002	Nut	5	5	25	414 0206	Cabin Stripe (Mult. 12'')	—	—
11	571 1737	Filler Door	1	1	26	414 0309	Cabin Latch with Bracket	2	2
12	320 1062	Machine Screw	2	2	27	390 4019	Pop Rivet	8	8
13	517 0137	Cabin holder	1	1	28	517 0122	Hinge Pin	2	2
14	320 1063	Machine screw	1	1	29	414 0189	Retainer Clip	2	2
15	570 1714	Door stop	2	2					
16	517 0132	L.H. Cabin Hinge	1	1					



ITEM NO.	PART NO.	DESCRIPTION	QUANTITY		ITEM NO.	PART NO.	DESCRIPTION	QUANTITY	
			371	371E				371	371E
1	580 0115	Seat Ass'y	-	1	7	389 8010	Nut	2	2
1	580 0119	Seat Ass'y	1	-	8	570 1503	Grommet	1	1
2	414 0204	Seat Leatherette	1	1	9	369 9008	Retaining Screw	1	1
3	581 0111	Padded Backrest Ass'y	1	1	10	414 0226	Label 371	2	-
4	571 1736	Backrest Housing	1	1	10	414 0221	Label 371E	-	2
5	414 0223	Covering	1	1	11	414 0248	Bombardier Crest	2	2
6	321 6043	Machine Screw	2	2	12	414 0220	Backrest Strip	1	1