

**BOMBARDIER**

LTD/LTÉE

***ski-doo***

**ALPINE 1969**

**DIVISION SKI-DOO DIVISION**

**PARTS MANUAL**

**MANUEL / PIÈCES**

**VALCOURT QUEBEC CANADA**

**GENERAL INFORMATION  
PARTS CATALOGUE**

**BOMBARDIER SKI-DOO**

MODEL - MODÈLE

370 cc - MANUAL

370 cc - ELECTRIC

640 cc - ELECTRIC

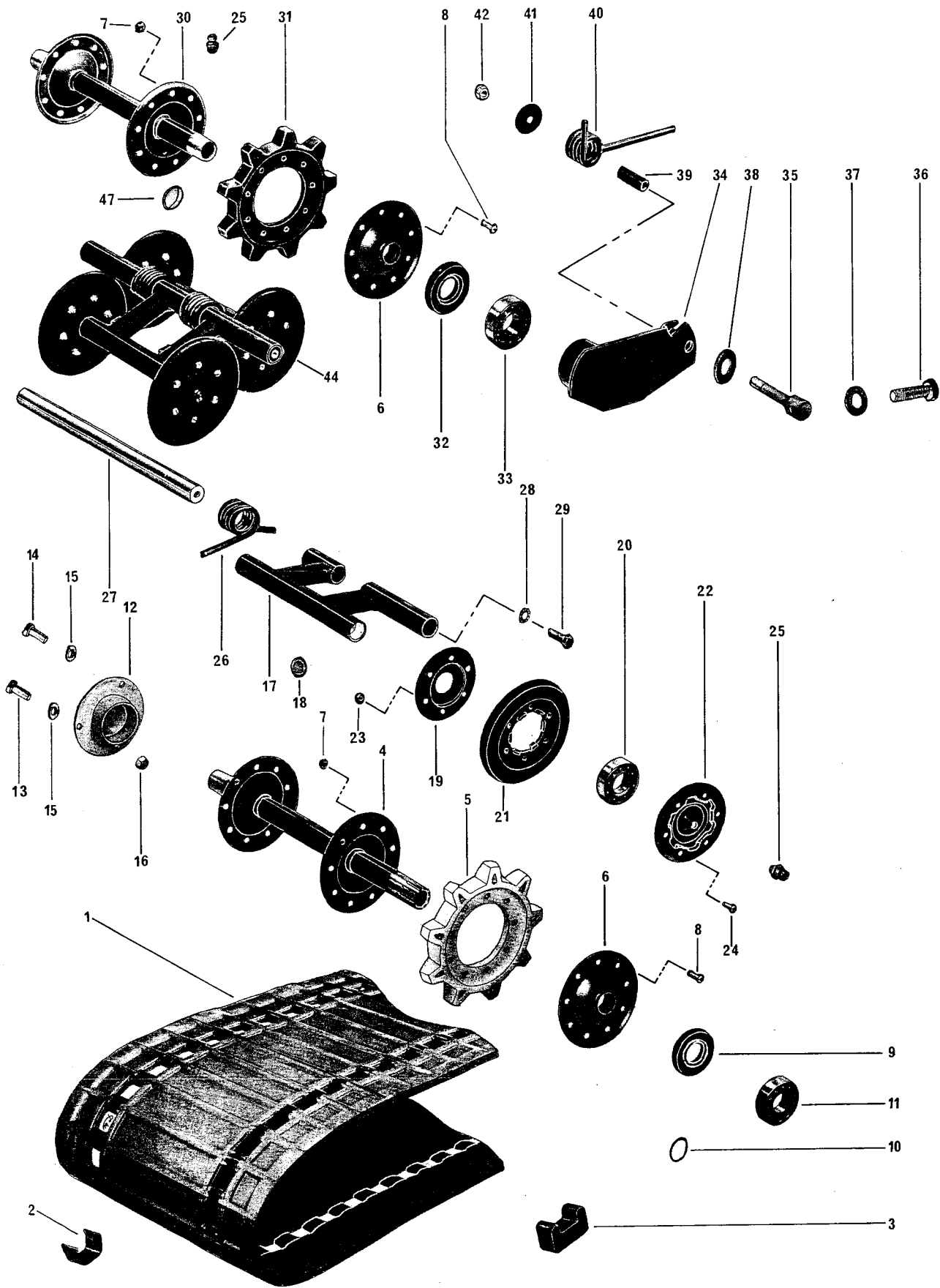
**INFORMATION GÉNÉRALE  
CATALOGUE / PIÈCES**

# INDEX

DESCRIPTION	SECTION
TRACK.....	0
DRIVE.....	I
WHEEL.....	II
SUSPENSION.....	III
TRANSMISSION.....	IV
SKI.....	V
STEERING.....	VI
BRAKE.....	VII
THROTTLE.....	X
ENGINE & EXHAUST.....	XII
FUEL.....	XIII
ELECTRICAL.....	XV
BODY.....	XVII
<hr/>	
CHENILLE.....	0
COMMANDE.....	I
ROUE.....	II
SUSPENSION.....	III
TRANSMISSION.....	IV
SKI.....	V
CONDUITE.....	VI
FREIN.....	VII
ACCÉLÉRATEUR.....	X
MOTEUR & ÉCHAPPEMENT.....	XII
ESSENCE.....	XIII
SYSTÈME ÉLECTRIQUE.....	XV
CHASSIS.....	XVII

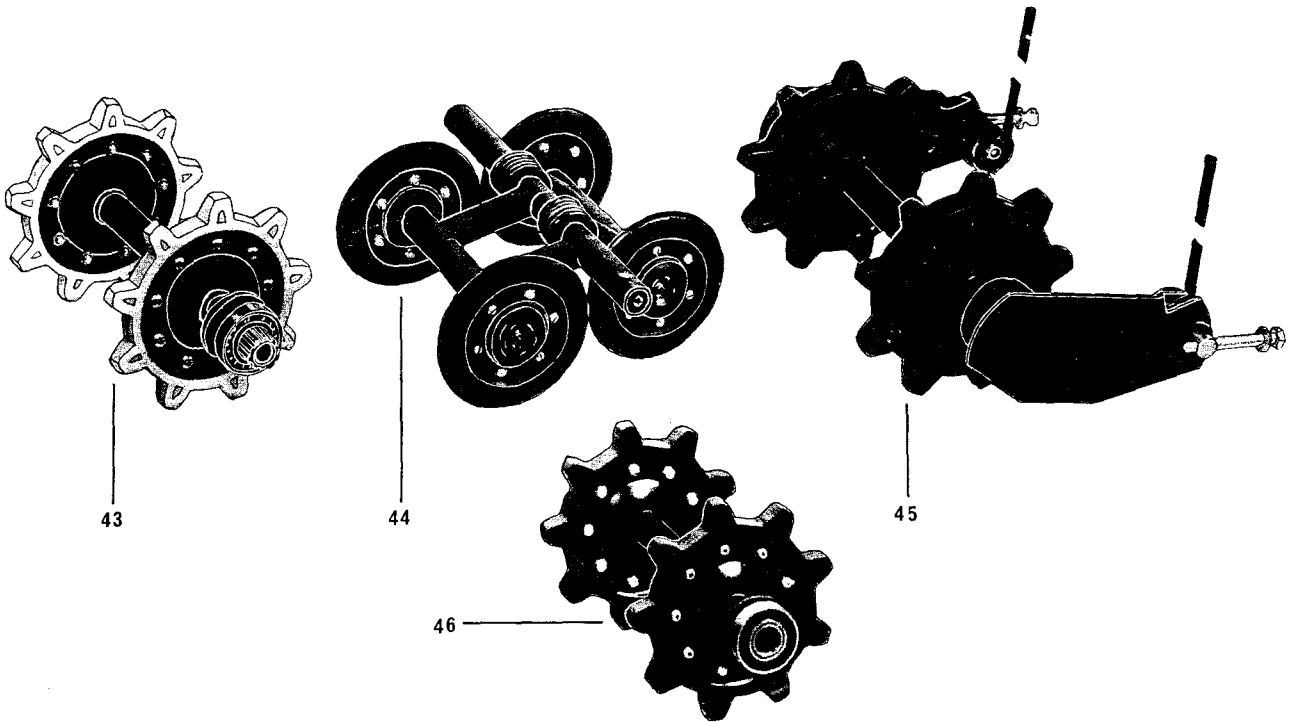
# SUSPENSION

# SUSPENSION

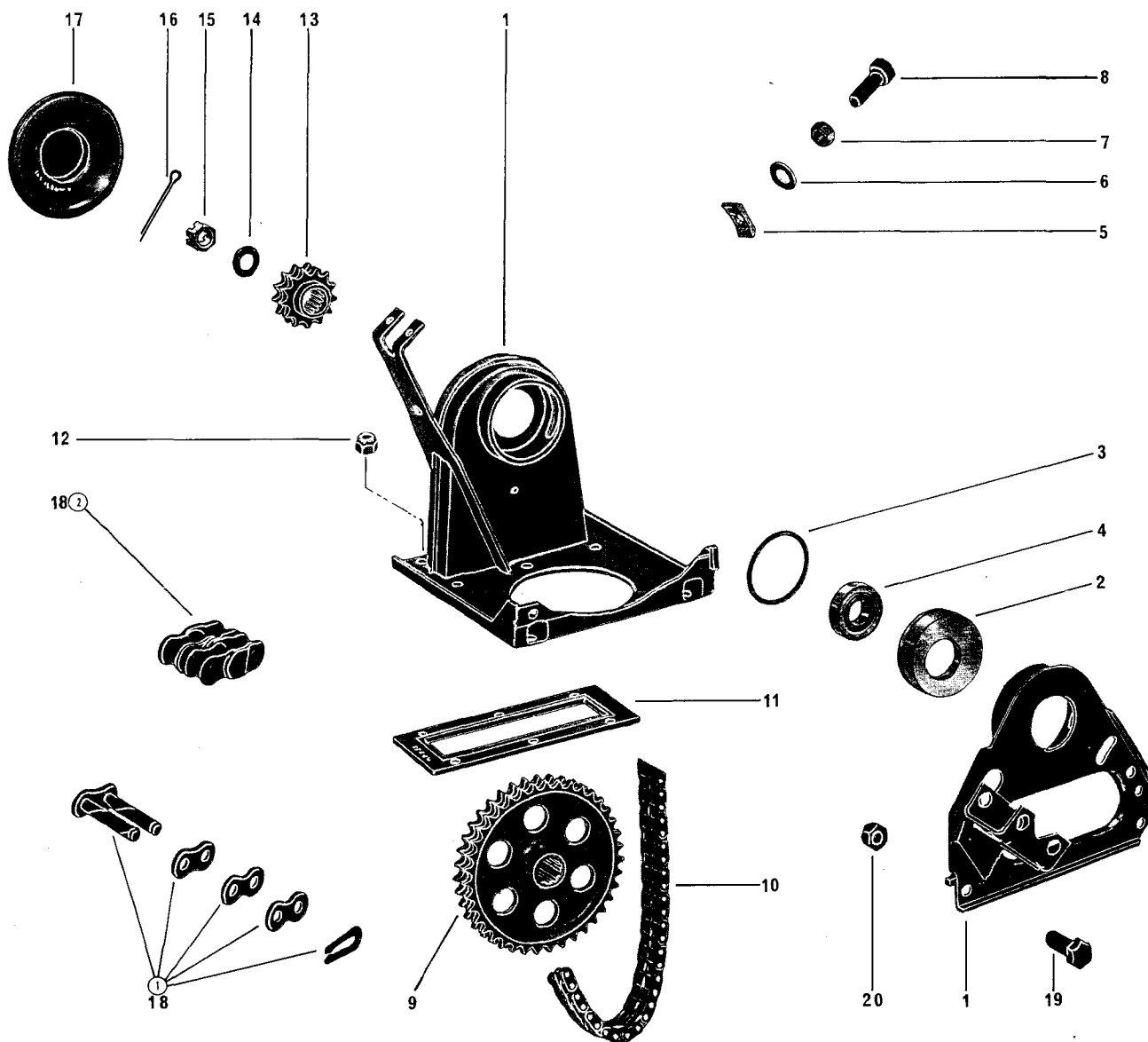


# SUSPENSION

# SUSPENSION

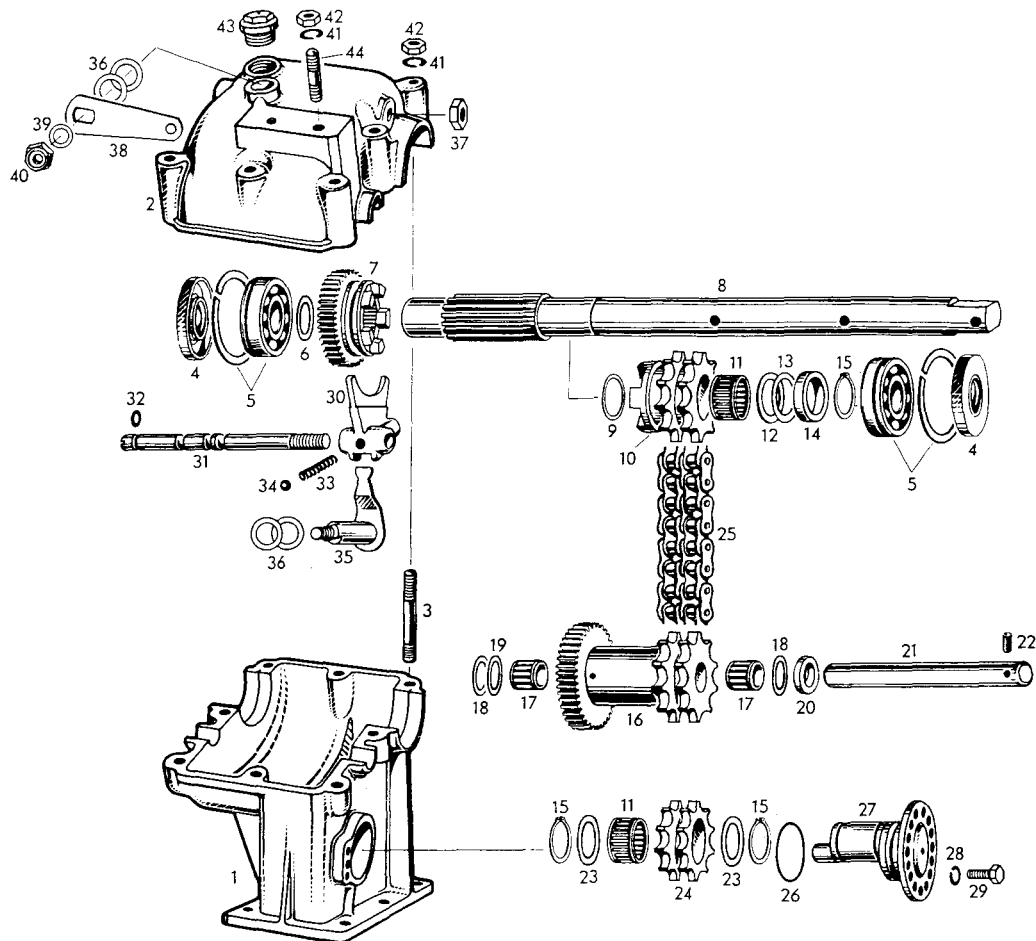


ITEM NO.	PART NO.	DESCRIPTION	QUANTITY			ITEM NO.	PART NO.	DESCRIPTION	QUANTITY		
			370	370E	640E				370	370E	640E
1	570 0002	Track Assembly	2	2	2	30	503 0043	Rear Hub			2
2	570 0003	Insert (Track)	—	—	—	31	570 0101	Sprocket	4	4	
3	529 0003	Insert Block (Tool)	—	—	—	31	414 0327	Sprocket			4
4	501 0019	Drive Axle	2	2	2	32	570 0301	Seal	4	4	4
5	414 0001	Sprocket	4	4	4	33	405 4002	Bearing	4	4	4
6	501 0018	Mobile Flange	8	8	8	34	503 0031	L.H. Adjustment Link Plate	2	2	
7	387 2019	Nut	36	36	36	34	503 0036	L.H. Adjustment Link Plate			2
8	320 1102	Machine Screw	36	36	36	34	503 0030	R.H. Adjustment Link Plate	2	2	
9	581 1017	Seal (with Spring)	4	4	4	34	503 0035	R.H. Adjustment Link Plate			2
10	414 0153	Spring (For Seal)	4	4	4	34	503 0035	R.H. Adjustment Link Plate			2
11	405 4002	Bearing	4	4	4	35	503 0028	Center Adj. Eye Bolt	4	4	4
12	501 0007	End Bearing Housing	2	2	2	36	309 8027	Cap Screw	4	4	4
13	300 1001	Cap Screw	2	2	2	37	391 0023	Flat Washer	4	4	4
14	300 1000	Cap Screw	4	4	4	38	503 0044	Hardened Washer	4	4	4
15	392 0019	Lock Washer	6	6	6	39	503 0040	Adjuster Sleeve	4	4	4
16	386 6019	Nut	4	4	4	40	503 0033	R.H. Spring	2	2	2
17	502 0002	Wheel Support	12	12	12	40	503 0034	L.H. Spring	2	2	2
18	502 0011	Cap	24	24	24	41	503 0016	Retainer Washer	4	4	4
19	502 0015	Inner Flange	24	24	24	42	386 6022	Nut	4	4	4
20	405 4002	Bearing	24	24	24	43	580 3025	Drive Axle assembly	2	2	2
21	570 0205	Tire	24	24	24	44	580 0204	Wheel Assembly (Front)	4	4	4
22	502 0016	Outer Flange	24	24	24	44	580 0205	Wheel Assembly (Rear)	2	2	2
23	387 3013	Nut	180	180	180	45	580 3024	Suspension Assembly	2	2	
24	320 1062	Machine Screw	180	180	180	45	580 3023	Suspension Assembly			2
25	408 2001	Grease Fitting	28	28	28	46	581 0006	Rear Hub Assembly	2	2	
26	502 0010	Spring 1/4 Ø	8	8	8	46	581 3014	Rear Hub Assembly			2
26	502 0020	Spring 9/32 Ø	4	4	4	47	503 0049	Cap	4	4	4
27	502 0008	Cross Shaft	6	6	6						
28	399 8001	Tooth Lock Washer	12	12	12						
29	300 8043	Cap Screw	12	12	12						
30	503 0022	Rear Hub	2	2							



ITEM NO.	PART NO.	DESCRIPTION	QUANTITY			ITEM NO.	PART NO.	DESCRIPTION	QUANTITY		
			370	370E	640E				370	370E	640E
1	504 0054	Chain case	1	1	1	11	570 0408	Gasket	1	1	1
2	504 1033	Tensioner	2	2	2	12	387 2022	Nut	8	8	8
3	406 0003	"O" ring	2	2	2	13	504 0027	Sprocket (13 teeth D.)	1	1	1
4	405 4004	Bearing	2	2	2	14	417 0009	Spring washer	1	1	1
5	414 0139	Segment	2	2	2	15	389 8024	Nut	1	1	1
6	391 0023	Flat washer	2	2	2	16	371 0032	Cotter pin	1	1	1
7	389 9004	Jam nut	2	2	2	17	570 0403	Inspection cover	1	1	1
8	303 1044	Cap screw	2	2	2	18	412 6003	Connecting link single (1)	—	—	—
9	504 0014	Sprocket (39 teeth D.)	1	1		18	412 6006	Cranked link double (2)	—	—	—
9	504 0055	Sprocket (25 teeth D.)			1	19	417 0025	Bolt	2	2	2
10	412 1008	Driving chain	1	1		20	417 0029	Nut	2	2	2
10	412 1009	Driving chain			1						

# PARTS LIST FOR FORWARD-REVERSE GEAR-BOX



ITEM NO.	PART NO.	DESCRIPTION	QUANTITY	ITEM NO.	PART NO.	DESCRIPTION	QUANTITY
1-2-3	417 1005	Housing Assembly	1	21	417 1018	Lay Axle	1
3	417 1006	Stud M 8 x 52	8	22	417 1019	Dowel Tube	1
4	417 1007	Oil Seal	2	23	417 1020	Washer 25,3	2
5	405 1006	Ball Bearing with Groove Ring	2	24	417 1021	Tensioner Sprocket 12 t.	1
6	402 1025	Shim 0,5 mm	1	25	412 1011	Double Roller Chain 1/2 x 5/16", 64 Links	1
7	417 1008	Sliding Gear 31 t.	1	26	417 1022	O-Ring	1
8	417 1009	Drive Shaft	1	27	417 1023	Tensioner Axle Assembly	1
9	417 1010	Washer 25,2 mm	1	28	402 0015	Lock Washer 6	1
10	417 1011	Shift Sprocket	1	29	402 5011	Hex. Screw M 8 x 15	1
11	417 1012	Needle Cage	2	30	417 1024	Gear Change Fork	1
12	402 1026	Shim 1,0 mm	1	31	417 1025	Index Rod	1
13	402 1023	Shim 0,2 mm 25,5/340	as req.	32	417 1026	O-Ring	1
13	402 1024	Shim 0,3 mm 25,5/340	as req.	33	417 1027	Index Spring	1
13	402 1025	Shim 0,5 mm 25,5/340	as req.	34	417 1028	Ball 1/4" Ø	1
13	402 1026	Shim 1,0 mm 25,5/340	as req.	35	417 1029	Gear Change Shaft Assembly	1
13	402 1126	Shim 0,1 mm 25,5/340	as req.	36	417 1030	Shim 0,3 mm 14,3/200	as req.
14	417 1013	Distance Sleeve 5,3 mm	1	36	417 1031	Shim 0,5 mm 14,3/200	as req.
15	417 1014	Circlip	3	37	417 1032	Hex. Nut M 10	1
16	417 1015	Layshaft Gear Ass'y. 34 and 13 t.	1	38	417 1033	Gear Change Lever	1
17	417 1016	Needle Cage	2	39	402 0031	Washer 8,4 mm	1
18	402 6016	Shim 1,0 mm	2	40	402 2106	Lock Nut M 8	1
19	417 1035	Shim 0,3 mm 16,3/25,80	as req.	41	402 0016	Lock Washer 8	10
19	417 1036	Shim 0,5 mm 16,3/25,80	as req.	42	402 0018	Hex. Nut M 8	10
19	402 6016	Shim 1,0 mm 16,3/25,80	as req.	43	417 1034	Vent Plug M 18 x 1,5	1
19	417 1037	Shim 0,15 mm 16,3/25,80	as req.	44	402 2003	Stud M 8 x 18	2
20	417 1017	Distance Sleeve 7,5 mm	1				

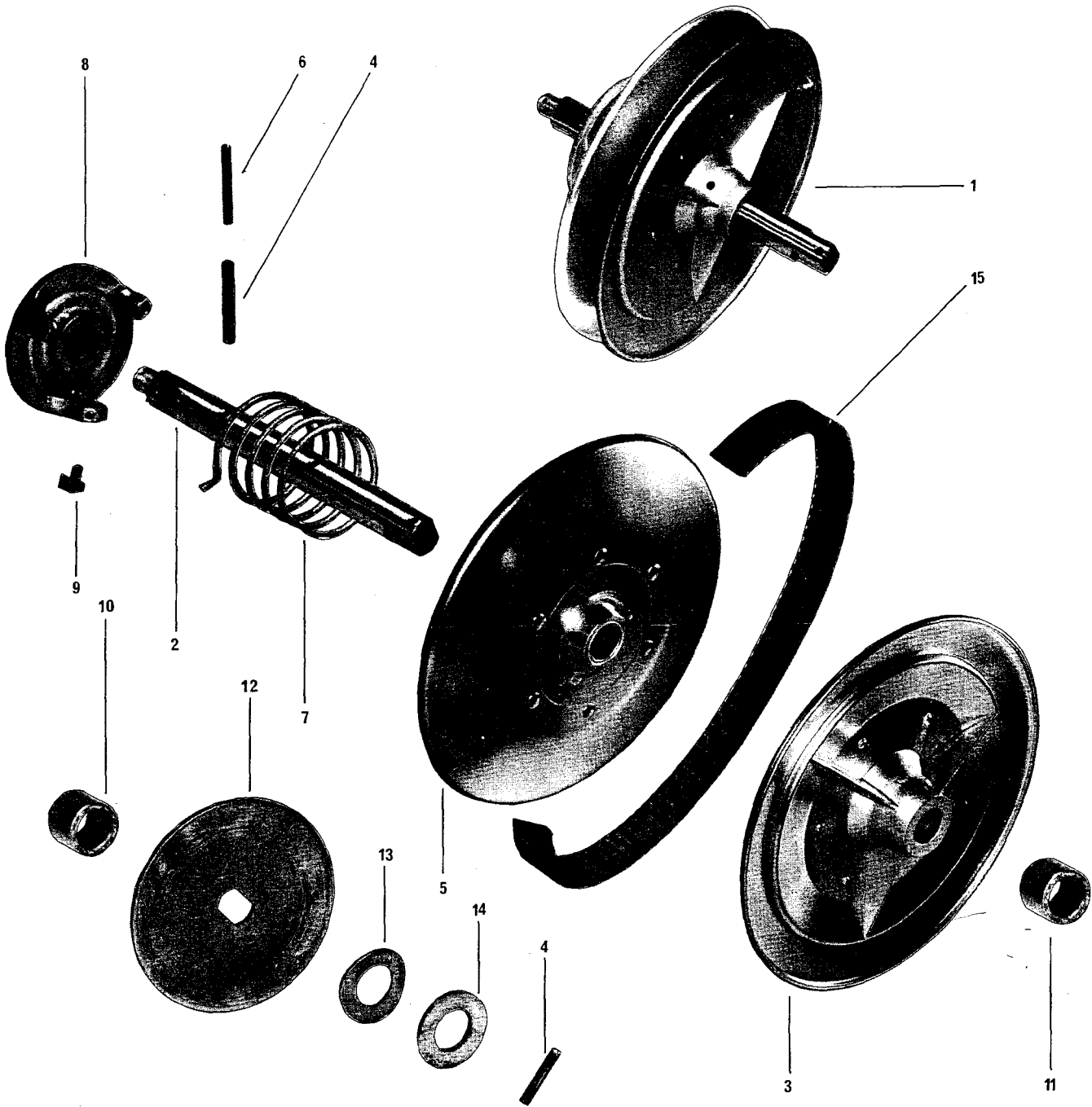




DRIVEN PULLEY

TRANSMISSION

POULIE COMMANDÉE

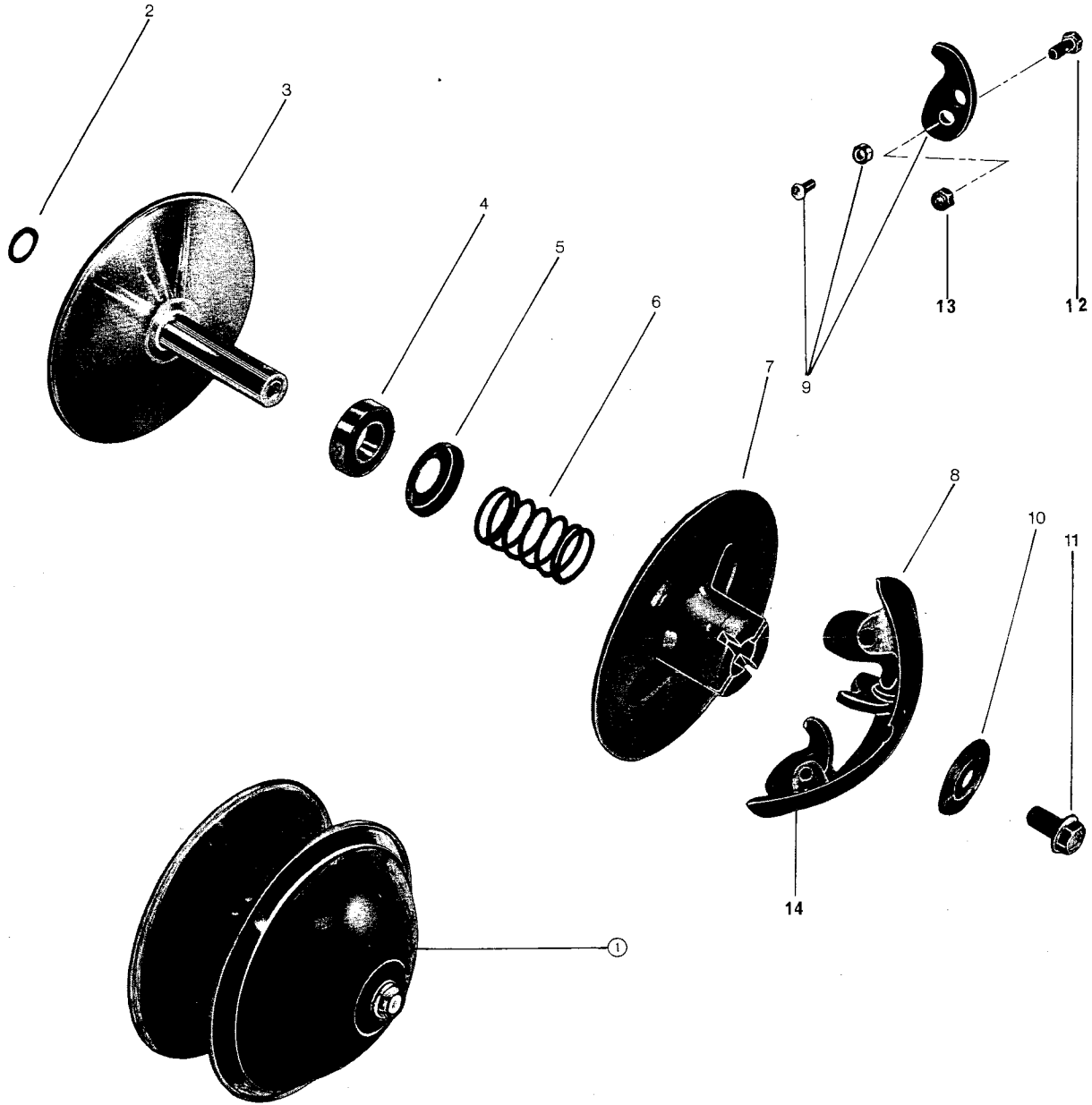


ITEM NO.	PART NO.	DESCRIPTION	QUANTITY			ITEM NO.	PART NO.	DESCRIPTION	QUANTITY		
			370	370E	640E				370	370E	640E
1	581 3013	Driven pulley ass'y.	1	1		9	414 0126	Cam slider shoe	3	3	3
1	581 3019	Driven pulley ass'y.			1	10	504 1031	Spacer (1 1/8")	1	1	1
2	504 1042	Shaft	1	1		11	504 1045	Spacer (1/2")	1	1	
2	504 1050	Shaft			1	11	504 1048	Spacer			1
3	504 1043	Fixed pulley half	1	1	1	12	504 1032	Disc	1	1	1
4	372 1124	Roll pin	3	3	3	13	417 0008	Spring washer	1	1	1
5	504 1044	Sliding pulley half	1	1	1	14	504 1036	Retainer washer	1	1	1
6	372 1065	Roll pin	2	2	2	15	570 0411	Drive belt	1	1	
7	414 0138	Release spring	1	1	1	15	570 0414	Drive belt			1
8	504 1035	Outer cam	1	1	1						

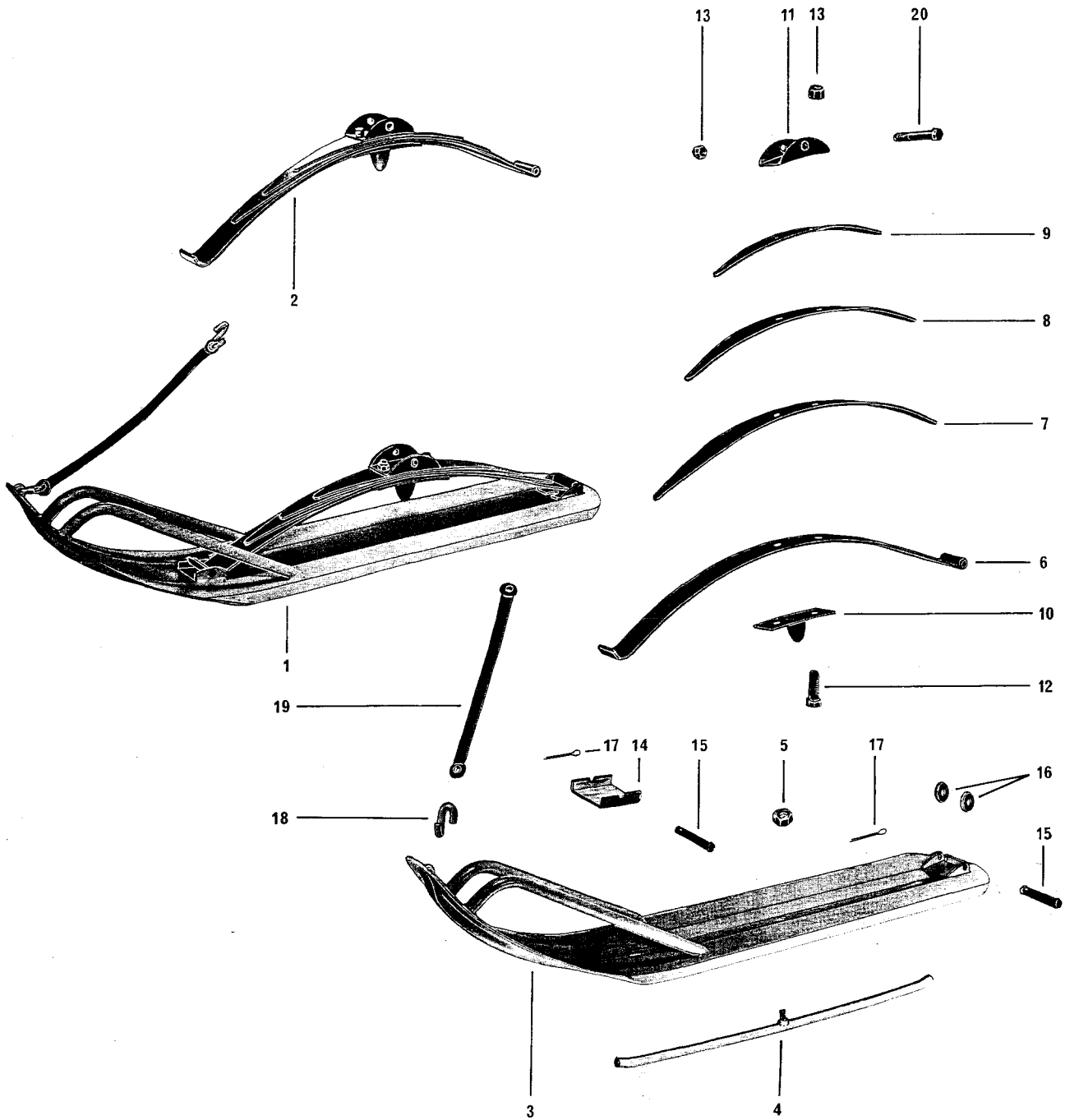
DRIVE PULLEY

TRANSMISSION

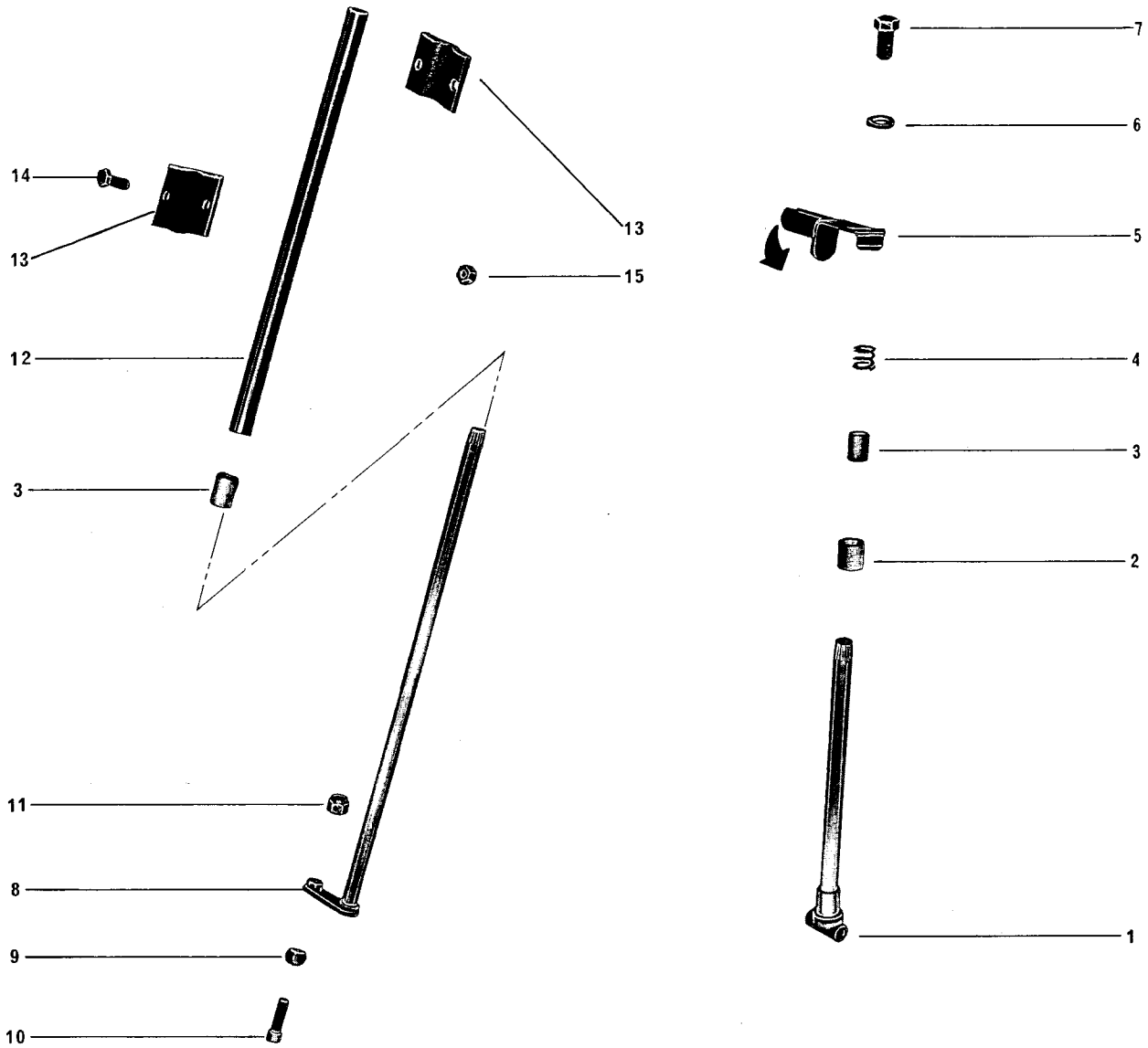
POULIE DE COMMANDE



ITEM NO.	PART NO.	DESCRIPTION	QUANTITY			ITEM NO.	PART NO.	DESCRIPTION	QUANTITY		
			370	370E	640E				370	370E	640E
1	581 3011	Drive pulley ass'y.	1	1		9	504 2041	Pressure lever kit (1/4Ø hole)	4	4	
1	581 3012	Drive pulley ass'y.			1	9	504 2040	Pressure lever kit (3/8'' Ø hole)			4
2	504 1009	Shim (.024'')	-	-	-						
2	504 1010	Shim (.048'')	-	-	-						
3	504 2008	Inner half	1	1	1	10	504 2026	Governor washer	1	1	1
4	405 4005	Bearing	1	1	1	11	309 8010	Bolt	1	1	1
5	504 2013	Spring seat	1	1	1	12	300 0001	Bolt	4	4	
6	414 0013	Spring	1	1	1	12	300 0081	Bolt			4
7	504 2033	Outer half	1	1	1	13	386 6019	Nut	4	4	
8	582 1011	Centrifugal governor	1	1		13	386 6024	Nut			4
8	582 1018	Centrifugal governor ass'y			1	14	504 2034	Centrifugal governor			1



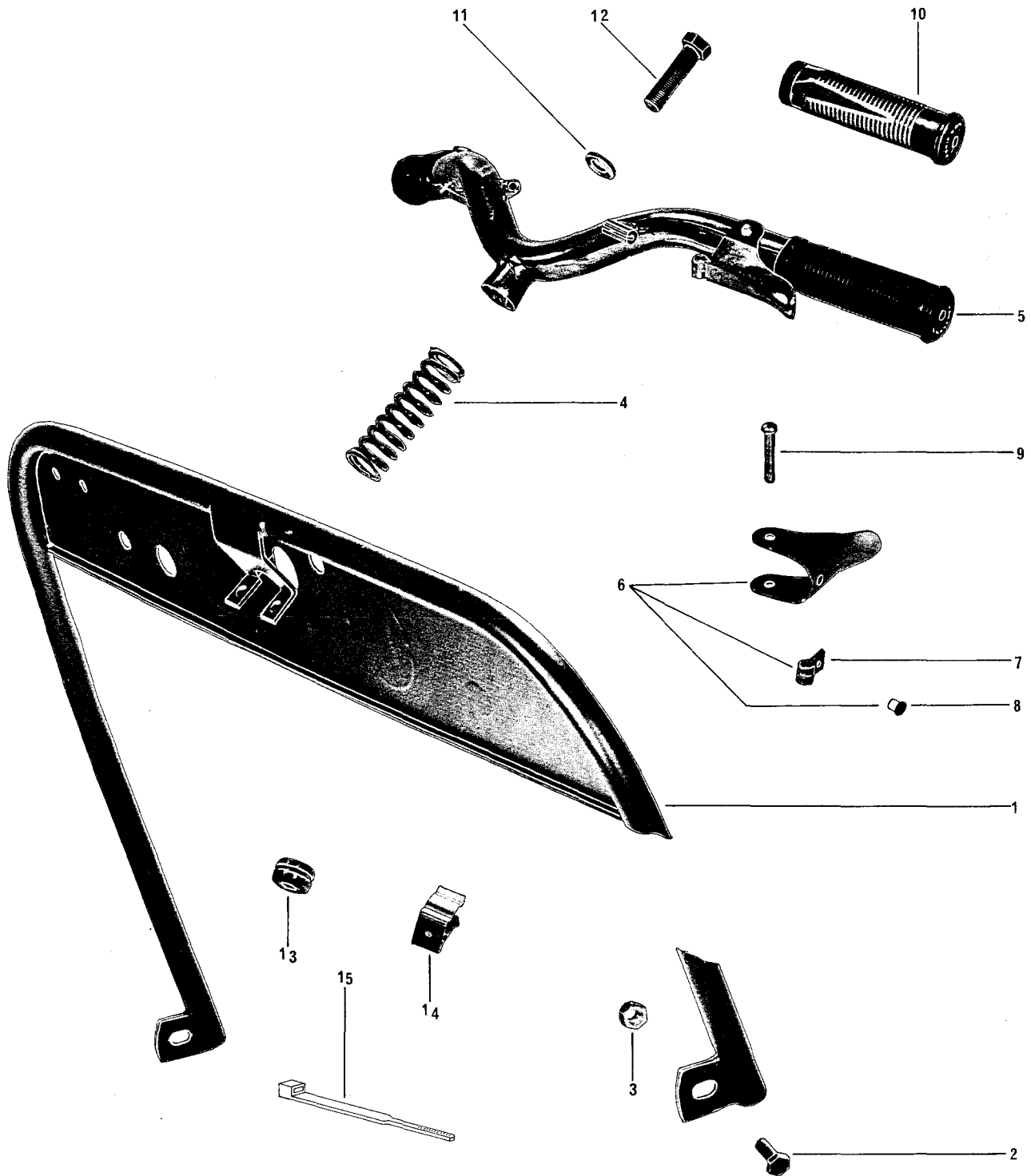
ITEM NO.	PART NO.	DESCRIPTION	QUANTITY			ITEM NO.	PART NO.	DESCRIPTION	QUANTITY		
			370	370E	640E				370	370E	640E
1	580 3022	Ski ass'y.	1	1	1	11	505 0045	Spring coupler	1	1	1
2	582 0102	Leaf spring ass'y.	1	1	1	12	300 0085	Cap screw	2	2	2
3	505 0004	Ski runner	1	1	1	13	386 6024	Nut	3	3	3
4	505 0002	Runner shoe	1	1	1	14	505 0033	Spring slider cushion	1	1	1
5	387 2022	Nut	1	1	1	15	505 0034	Retainer pin	2	2	2
6	505 0018	Main leaf spring	1	1	1	16	505 0035	Washer	2	2	2
7	505 0014	First auxiliary spring	1	1	1	17	371 0011	Cutter pin	2	2	2
8	505 0013	Auxiliary leaf spring	1	1	1	18	505 0022	Union link	2	2	2
9	505 0015	Auxiliary leaf spring	1	1	1	19	570 0501	Retaining cable	1	1	1
10	570 0502	Rebound leaf spring	1	1	1	20	309 8007	Bolt	1	1	1



ITEM NO.	PART NO.	DESCRIPTION	QUANTITY			ITEM NO.	PART NO.	DESCRIPTION	QUANTITY		
			370	370E	640E				370	370E	640E
1	506 0082	Ski leg	1	1	1	9	506 0091	Ball bushing	1	1	1
2	506 0042	Bushing	1	1	1	10	560 6003	Bolt	1	1	1
3	506 0029	Bushing	1	1	1	11	386 6026	Nut	1	1	1
4	414 0127	Spring	1	1	1	12	506 0084	Steering column with bushing	1	1	1
5	506 0051	Steering arm	1	1	1	13	506 0085	Retainer plate	2	2	2
6	392 0026	Lock washer	1	1	1	14	300 0003	Bolt	4	4	4
7	300 0123	Cap screw	1	1	1	15	386 6019	Nut	4	4	4
8	506 0083	Steering shaft	1	1	1						

# STEERING

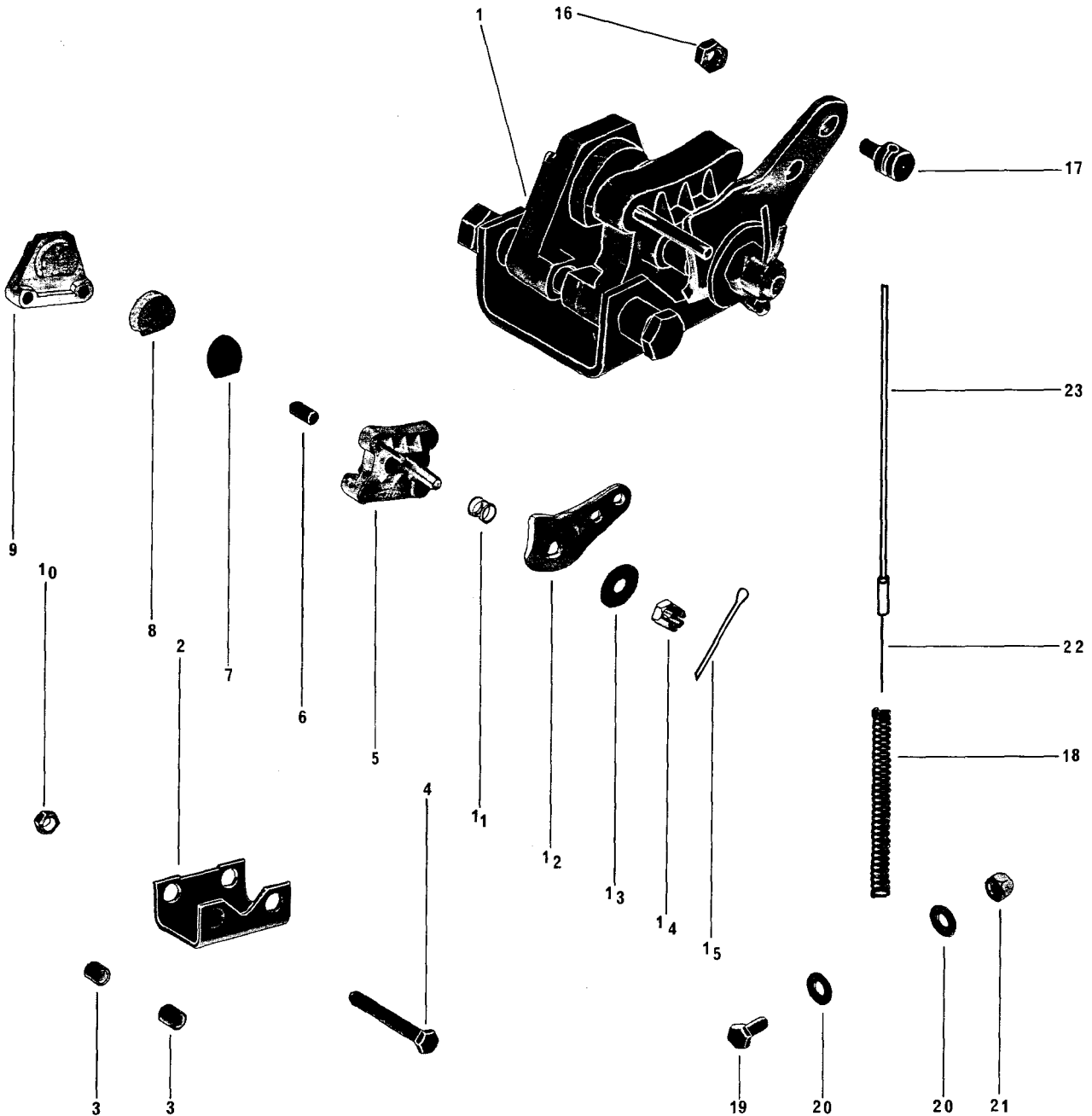
# CONDUITE



ITEM NO.	PART NO.	DESCRIPTION	QUANTITY			ITEM NO.	PART NO.	DESCRIPTION	QUANTITY		
			370	370E	640E				370	370E	640E
1	506 0074	Upper Column	1	1	1	9	390 9001	Rivet	2	2	2
2	300 0040	Bolt	2	2	2	10	414 0002	Grip	2	2	2
3	386 6022	Nut	2	2	2	11	399 8006	Lock Washer	1	1	1
4	414 0172	Spring	1	1	1	12	300 3126	Bolt	1	1	1
5	581 4007	Handle Assembly	1	1	1	13	570 1503	Grommet	2	2	2
6	581 1036	Control Handle with Slug	2	2	2	14	414 0044	Clip	1	1	1
7	506 0073	Slug Retainer	2	2	2	15	114 0043	Hose Tie	1	1	1
8	390 5004	Rivet (For Slug)	2	2	2						

DISC BRAKE / THROTTLE

FREIN A DISQUE / ACCÉLÉRATEUR



ITEM NO.	PART NO.	DESCRIPTION	QUANTITY			ITEM NO.	PART NO.	DESCRIPTION	QUANTITY		
			370	370E	640E				370	370E	640E
1	560 7002	Disc Brake Assembly	1	1	1	14	382 4022	Slotted Nut	1	1	1
2	560 7003	U - Bracket	1	1	1	15	371 0002	Cotter Pin	1	1	1
3	414 0075	Bushing	4	4	4	16	386 6019	Nut	1	1	1
4	300 8050	Bolt	2	2	2	17	507 0027	Brake Cable Ferrule	1	1	1
5	414 0068	Casting (Cam Side)	1	1	1	18	414 0064	Spring	1	1	1
6	414 0074	Pin (Push)	2	2	2	19	560 7001	Cap Screw	1	1	1
7	414 0070	Washer	1	1	1	20	391 0021	Flat Washer	2	2	2
8	414 0357	Puck (Carrier Side)	2	2	2	21	386 6019	Nut	1	1	1
9	414 0069	Casting Puch Carrier Side	1	1	1	22	414 0278	Brake Cable	1	1	1
10	387 2022	Nut	2	2	2	22	414 0276	Throttle Cable	1	1	
11	414 0077	Compression Spring	1	1	1	22	414 0277	Throttle Cable			1
12	414 0356	Cam	1	1	1	23	414 0274	Brake Housing	1	1	1
13	391 0023	Washer	1	1	1	23	414 0273	Throttle Housing	1	1	
							414 0275	Throttle Housing			1

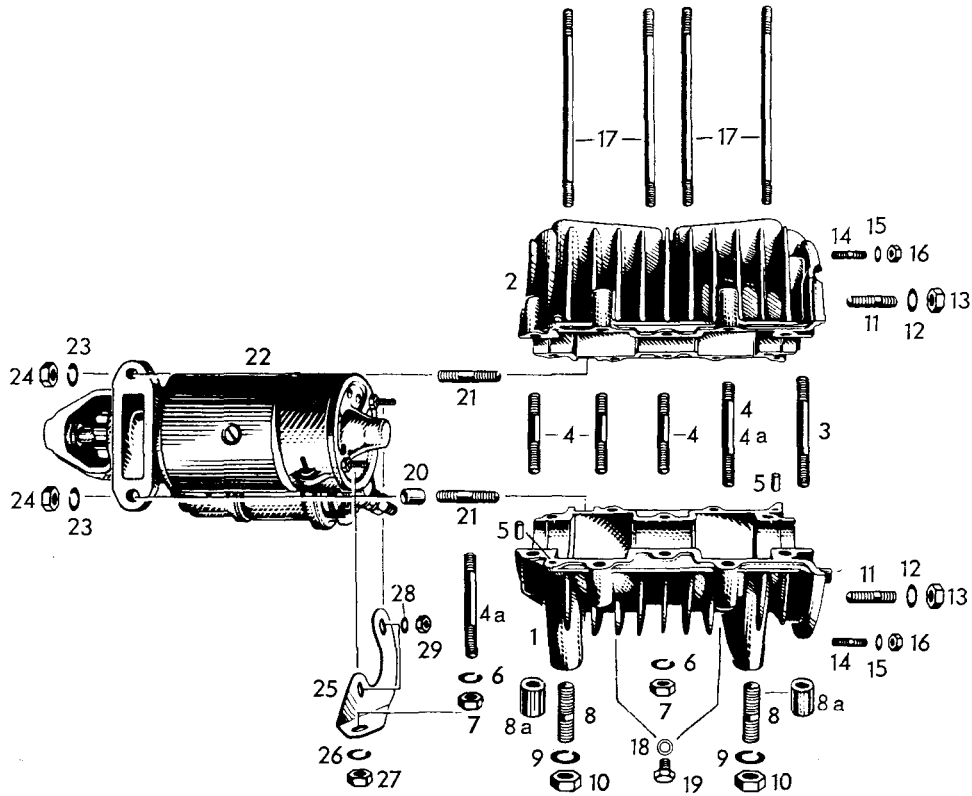
# ROTAX ENGINE

## 1969

640 cc - ELECTRIC

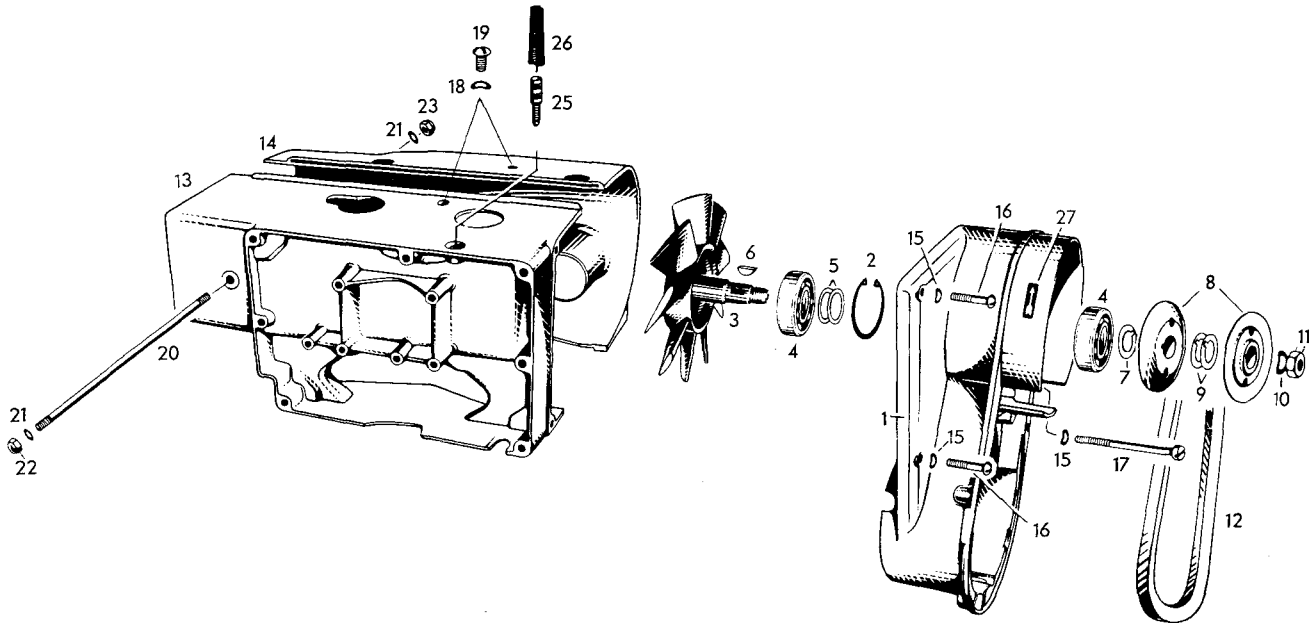
# CRANKCASE, STARTER

# CARTER DE MOTEUR, DÉMARREUR



ITEM NO.	PART NO.	DESCRIPTION	QUANTITY 640E	ITEM NO.	PART NO.	DESCRIPTION	QUANTITY 640E
1,2,3. 4,4A,5	402 0167	Crankcase Assy.	1	15	402 4133	Washer 5. 3	2
3	402 0007	Stud M 8 x 56	2	16	402 0105	Hex. stop nut M 5	2
4	402 0123	Stud M 8 x 37	9	17	402 0076	Stud M 8, cylinder	8
4A	402 0009	Stud M 8 x 46	1	18	402 0019	Sealing ring	2
5	402 0161	Dowel pin 5Ø x 10	2	19	402 0020	Oil drain screw	2
6	402 0016	Lock washer 8	12	20	402 7059	Dowel tube, electric starter	1
7	402 0018	Hex. nut M 8	12	21	402 2002	Stud M 8 x 25, electric starter	2
8	402 0113	Stud M 12 x 42.5	4	22	402 7060	Electric starter assy.	1
8A	402 0173	Distance sleeve 22 MM	4	23	402 0016	Lock washer 8	2
9	402 1038	Lock washer 12	4	24	402 0017	Hex. nut M 8	2
10	402 0117	Hex.nut M 12	4	25	402 7070	Starter bracket	1
11	402 0115	Stud M 8 x 16, fan housing	4	26	402 0016	Lock washer 8	1
12	402 1158	Locking washer 8	4	27	402 0018	Hex. nut M 8	1
13	402 0134	Hex. nut M 8	4	28	402 4022	Washer 5, 3 / 11 x 1	2
14	402 4117	Stud M 5 x 11, 5, armature plate	2	29	402 0105	Lock nut M 5	2

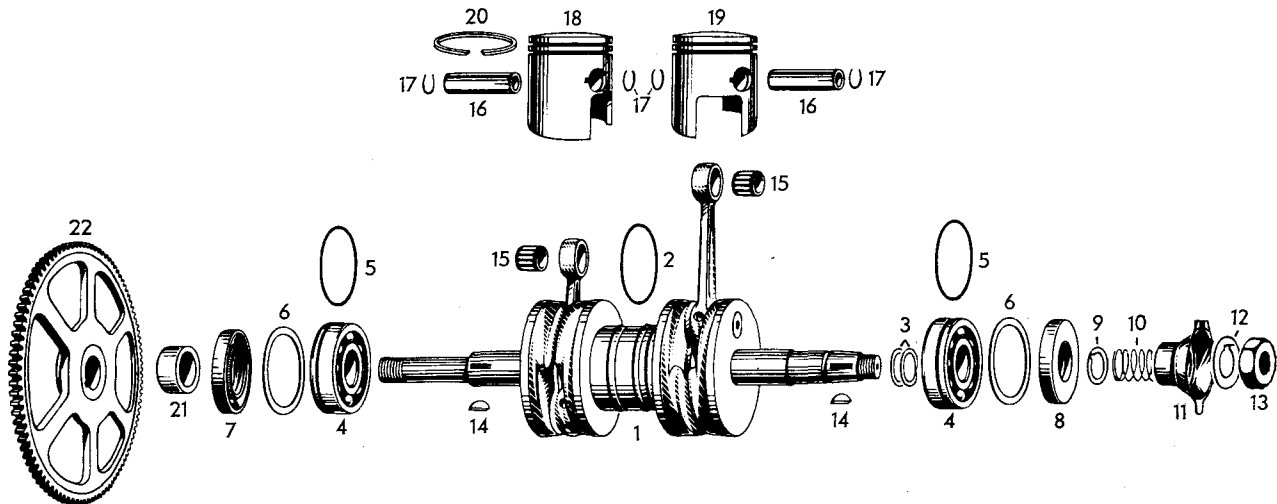




ITEM NO.	PART NO.	DESCRIPTION	QUANTITY 640E	ITEM NO.	PART NO.	DESCRIPTION	QUANTITY 640E
1	402 0158	Fan housing	1	15	402 0133	Spring washer B 6	3
2	402 0118	Locking ring	1	16	402 0151	Flat head screw M6 x 30	2
3	402 0126	Fan with shaft assy.	1	17	402 2125	Cyl. screw M 6 x 80	1
4	402 0136	Ball bearing	2	18	402 0125	Spring washer B 8	2
5	402 1018	Washer	2	19	402 0152	Flat head screw 5/16 x 15	2
6	402 1009	Woodruff key 3 x 5	1	20	402 2142	Stud M 6 x 191	1
7	402 0129	Shim	1	21	402 4129	Washer 6,2	2
8	402 0163	Pulley half	2	22	402 2169	Locking nut M 6	1
9	402 0129	Shim	4	23	402 2104	Lock nut M 6	1
10	402 1084	Lock washer 14	1	25	402 0174	Adjustment bolt, gas cable	1
11	402 1086	Hex. nut M 14 x 1,5	1	26	402 0138	Support spring, gas cable	1
12	402 0121	V-belt	1	27	402 0092	Direction plate	1
13	402 0160	Cylinder cowl, right	1				
14	402 0159	Cylinder cowl, left	1				

# CRANKSHAFT, PISTONS

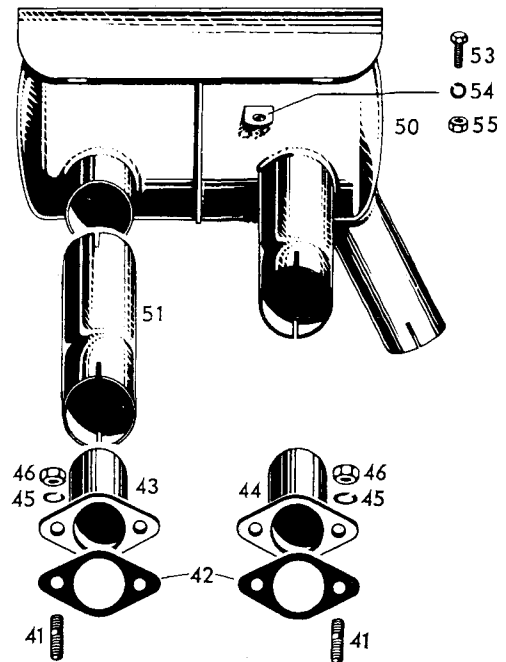
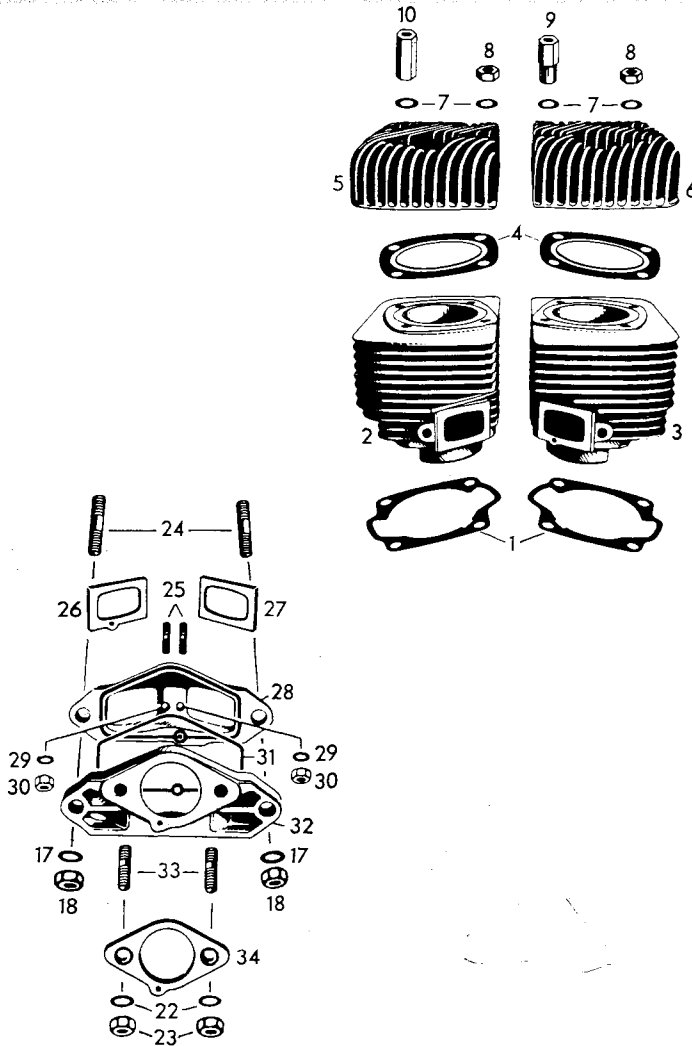
# VILEBREQUIN, PISTONS



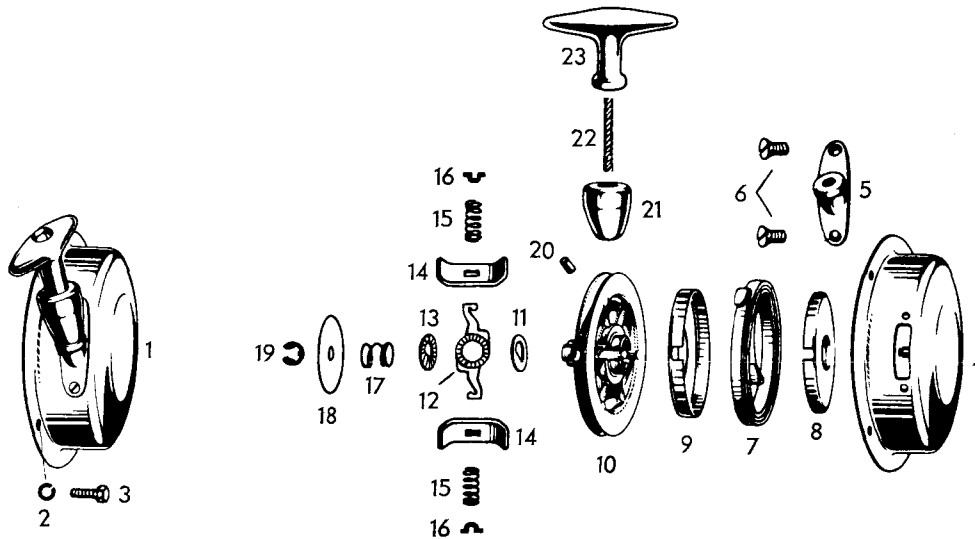
ITEM NO.	PART NO.	DESCRIPTION	QUANTITY 640E	ITEM NO.	PART NO.	DESCRIPTION	QUANTITY 640E
1, 2	402 1155	Crankshaft assy.	1	14	402 1010	Woodruff key 5 x 6, 5	2
2	402 1119	O-ring	3	15	402 1033	Needle cage	2
3	402 1112	Shim 1, 0 MM	As Req.	16	402 1064	Gudgeon pin	2
3	402 1113	Shim 0, 15 MM	As Req.	17	402 1067	Circlip, gudgeon pin	4
3	402 1114	Shim 0, 3 MM	As Req.	18	402 1151	Piston assy. with rings	
3	402 1115	Shim 0, 2 MM	As Req.			76Ø, std.s p.t.o. side	1
4	402 1139	Ball bearing	2	18	402 1152	Dto., 76, 5Ø, 1st oversize	1
5	402 1119	O-ring	2	19	402 1153	Piston assy. with rings	
6	402 1108	Retaining disk	2			76Ø, std. magneto side	1
7	402 1101	Oil seal	1	19	402 1154	Dto., 76, 5Ø, 1st oversize	1
8	402 1101	Oil seal	1	20	402 1132	Dto., 76Ø, 2 MM high, std.	4
9	402 1026	Washer, cam spring	1	20	402 1133	Dto., 76, 5Ø, 1st oversize	4
10	402 1036	Spring, breaker cam	1	21	402 1144	Distance sleeve 24 MM,	
11	402 1156	Breaker cam	1			engine without electric	
12	402 1040	Lock washer	1			starter only	1
13	402 1043	Hex. nut M 18 x 1, 5	1	22	402 5051	Starter gear 86 t.	1

# CYLINDER, MUFFLER

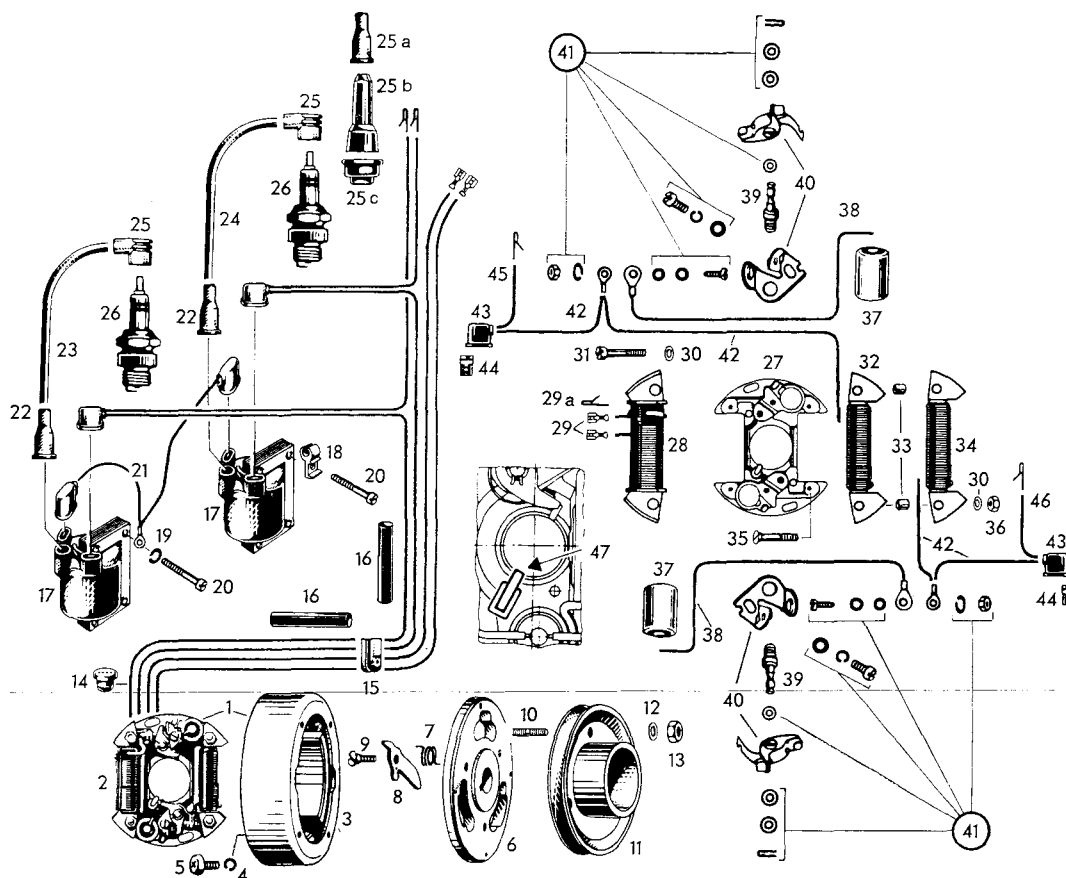
# CYLINDRE, SILENCIEUX



ITEM NO.	PART NO.	DESCRIPTION	QUANTITY 640E	ITEM NO.	PART NO.	DESCRIPTION	QUANTITY 640E
1	402 2137	Gasket, cylinder flange	2	28	402 2150	Intake manifold	1
2	402 2127	Cylinder, p.t.o. side	1	29	402 2107	Washer 6, 2	2
3	402 2128	Cylinder magneto side	1	30	402 2104	Lock nut M6	2
4	402 2101	Gasket, cylinder head	2	31	402 2140	Ring gasket	1
5	402 2129	Cylinderhead, p.t.o. side	1	32	402 2151	Intake cover	1
6	402 2130	Cylinder head, magneto side	1	33	402 2159	Stud M 8 x 41 Carburator	2
7	402 2131	Washer, cylinder head	8	34	402 2171	Isolating flange, 20,5 MM thick	1
8	402 0017	Hex. nut M 8	3	41	402 2038	Stud M 8 x 19, exhaust flange	4
9	402 2145	Distance Nut M8 / 5 / 16"	4	42	402 2100	Gasket, exhaust flange	2
10	402 2146	Distance Nut M8 / 1 / 8 - 27 NPT	1	43	402 2113	Muffler socket 99 MM, p.t.o. side	1
17	402 0031	Washer	2	44	402 2109	Muffler socket 127, 5 MM, magneto side	1
18	402 2106	Lock nut M 8	2	45	402 0016	Lock washer 8	4
22	402 2072	Isolating washer	2	46	402 0017	Hex. nut M 8	4
23	402 0018	Hex. nut M 8	2	50,51	402 2188	Muffler system assy.	1
24	402 2159	Stud M 8 x 41	2	51	402 2189	Inlet tube	1
25	402 2102	Stud M 6 x 25	2	53	402 2190	Hex. screw M 8 x 16	1
26	402 2138	Intake gasket, p.t.o. side cylinder	1	54	402 0016	Lock washer 8	1
27	402 2139	Intake gasket, magneto side cylinder	1	55	402 0017	Hex. nut M 8	1



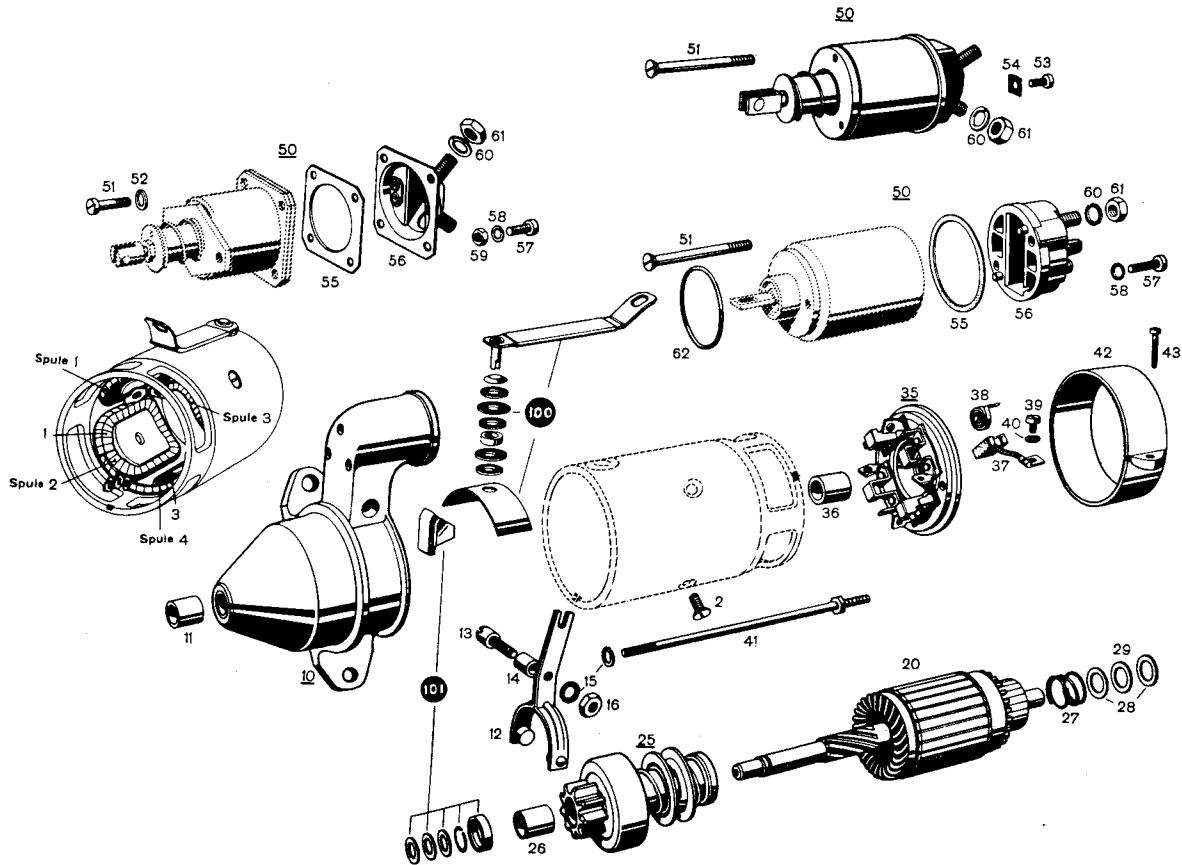
ITEM NO.	PART NO.	DESCRIPTION	QUANTITY 640E	ITEM NO.	PART NO.	DESCRIPTION	QUANTITY 640E
1	402 5046	Rewind starter assy.	1	12	402 5028	Pivot arm	1
2	402 0015	Lock washer 6	4	13	402 5027	Friction washer	1
3	402 5011	Hex. screw M 6 x 15	4	14	402 5029	Pawl	2
4	402 7058	Starter housing	1	15	402 5030	Pawl spring	2
5	402 5036	Starter stop	1	16	402 5031	Pawl spring stop	2
6	402 5037	Countersunk screw M 5 x 8	2	17	402 5032	Friction spring	1
7,8,9,	402 5023	Spring cartridge assy.	1	18	402 5033	Cover washer	1
7	402 5022	Rewind spring	1	19	402 5034	Circlip	1
8	402 5038	Spring guide	1	20	402 5016	Bolt 5 x 6, starter rope	1
9	402 5044	Cover, spring guide	1	21	402 5039	Rubber buffer	1
10	402 5047	Rope sheave	1	22	402 5052	Starter rope 1350 MM	1
11	402 5026	D-washer	1	23	402 5019	Starter grip	1



ITEM NO.	PART NO.	DESCRIPTION	QUANTITY 640E.	ITEM NO.	PART NO.	DESCRIPTION	QUANTITY 640E.
1+16	402 4169	Magneto generator assy. 12 V. 75 W.	1	25C	402 4182	Protection cap, spark plug	2
2	402 4178	Armature plate assy.	1	26	402 4080	Spark plug M280 T31	2
3	402 4167	Magneto ring	1	27	402 4152	Armature plate alone	1
4	402 0015	Lock washer 6	4	28	402 4155	Lighting coil with cables 550 MM	1
5	402 4148	Cyl. screw	1	29A	402 4183	Contact pin	2
6	402 4149	Magneto housing	1	30	402 4024	Lock washer 5	4
7	402 4096	Spring, centrifugal weight	1	31	402 4048	Cyl. screw M 5 x 28	2
8	402 0146	Centrifugal weight	1	32	402 4151	Generator coil, bottom, right hand winding	1
9	402 4118	Bearing screw,	1	33	402 4161	Distance sleeve	2
10	402 5050	Stud M 8 x 15	3	34	402 4150	Generator coil, top, left hand winding	1
11	402 0162	V-belt pulley	1	35	402 4146	Countersunk screw M5 x 38	2
12	402 1158	Locking washer 8	3	36	402 7049	Hex. nut M5	2
13	402 0134	Hex. nut M 8	3	37	402 4068	Condenser	2
14	402 4122	Cable grommet	1	38	402 4164	Cable, condenser	2
15	402 4158	Cable grommet	1	39	402 4049	Pivot pin, contact breaker	2
16	402 0168	Rubber sleeve 55 MM	1	40	402 4050	Contact points set	2
17	402 7008	Ignition coil	2	41	402 7016	Parts set, armature plate	2
18	402 4160	Plastic clamp, cables	1	42	402 4162	Generator cable assy., blue-black, 610-80 MM	2
19	402 4024	Lock washer 5	7	43	402 4159	Rubber cap	2
20	402 7004	Cyl. screw M 5 x 22,	1	44	402 4177	Faston connector	2
20	402 0175	Cyl. screw M 5 x 12,	1	45	402 4166	Shorting cable, black, 215 MM, with pin	1
21	402 7062	Mass. cable assy. yellow, 80 MM	2	46	402 4155	Shorting cable, yellow, 290 MM, with pin	1
22	402 7003	Protection cap,	1	47	402 4141	Lubricating wick	1
23	402 4075	Ignition cable 200 MM	1				
24	402 4075	Ignition cable 200 MM	1				
25A	402 7003	Protection cap, cable	2				
25B	402 7071	Plug protector	2				

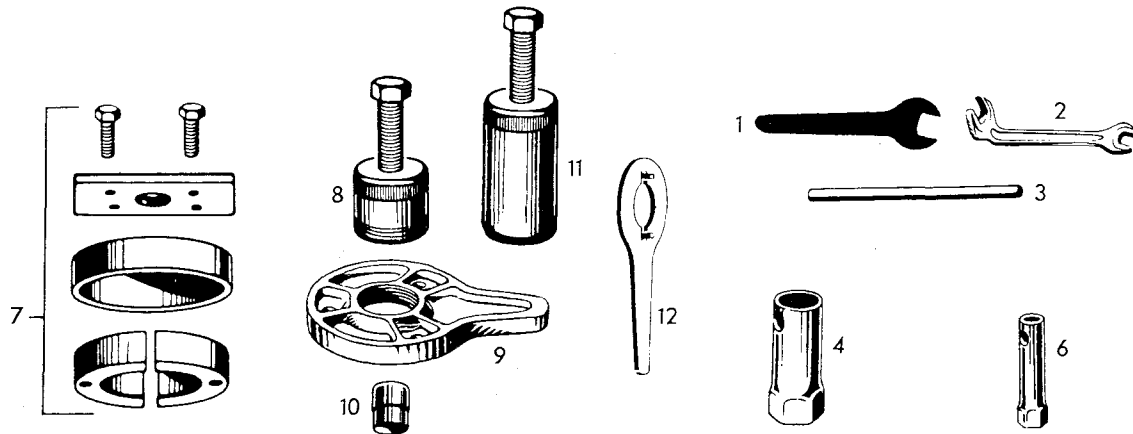
# ELECTRIC STARTER

# DÉMARREUR ÉLECTRIQUE



ITEM NO.	PART NO.	DESCRIPTION	QUANTITY 640E.	ITEM NO.	PART NO.	DESCRIPTION	QUANTITY 640E.
1	402 7064	Field winding, coils 3 & 4	1	36	402 7023	Bearing bushing	1
1	402 7065	Field winding, coils 1 & 2	1	37	402 7035	Carbon brush set (4 pieces)	1
2	402 7020	Countersunk screw M6 x 10	4	38	402 7031	Carbon brush spring	4
3	402 7069	Connecting rail	1	39A	402 7036	Cyl. screw M 4 x 8	1
10,11	402 7066	Drive end bracket	1	39B	402 7037	Cyl. screw M 4 x 6	3
11	402 7023	Bearing bushing	1	40	402 4023	Lock washer 4	4
12	402 7025	Engaging lever	1	41	402 7048	Screw M 5	2
13	402 7026	Screw M 5	1	42	402 7040	Closing band	1
14	402 7027	Bushing	1	43	402 2158	Cyl. screw M 4 x 16	1
15	402 4024	Lock washer 5	3	50	402 7041	Relay assy. (with parts ill. no. 53-59)	1
16	402 7049	Hex. nut M 5	1	51	402 7042	Countersunk screw M5 x 50	3
20	402 7067	Armature	1	53	402 7036	Cyl. screw M 4 x 8	1
25,26	402 7068	Drive assy.	1	54	402 7043	Plate, terminal 50	1
26	402 7024	Bearing bushing	1	60	402 0016	Lock washer 8	1
27	402 7030	Helical spring, armature brake	1	61	402 7044	Hex. nut M 8	1
28	402 7032	Washer 10. 3 / 20 / 0.5	2	100	402 7045	Parts set for terminal	1
29	402 7033	Isolating washer 10. 3 / 16 / 1	1	101	402 7046	Parts set for armature	1
35	402 7034	Commutator end bracket assy. (with parts ill. no. 36-40)	1				

**NOTE**



ITEM NO.	PART NO.	DESCRIPTION	QUANTITY 640E.	ITEM NO.	PART NO.	DESCRIPTION	QUANTITY 640E.
1, 2, 3, 4, 6,	402 8050	Tool set assy.	1	7	402 8002	Remover, bearing 832 010	1
1	402 8046	One-end wrench 11 MM	1	8	402 8044	Pulley assy. flywheel	1
2	402 8049	Angular wrench 10/13 MM	1	9	402 8045	Wrench to hold magneto housing	1
3	402 8039	Bolt 8 x 130, socket wrench	1	10	402 8005	Protection cap	1
4	402 8022	Socket wrench, spark plug	1	12	402 8053	Wrench to hold pulley halves	1
6	402 8024	Socket wrench 13 MM	1	11	402 8055	Pulley assy. starter gear	1



# ROTAX ENGINE

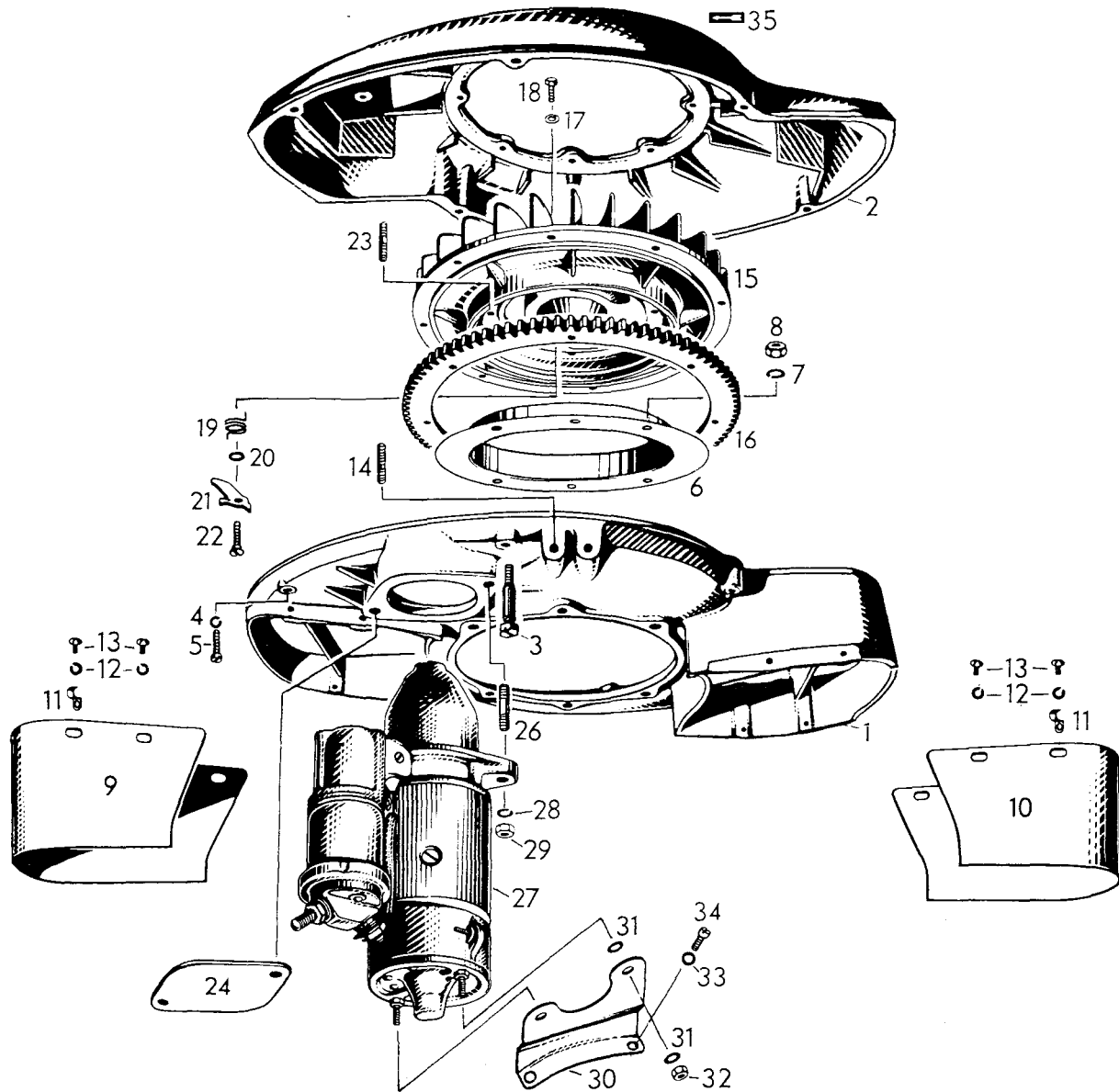
## 1969

370 cc - MANUAL

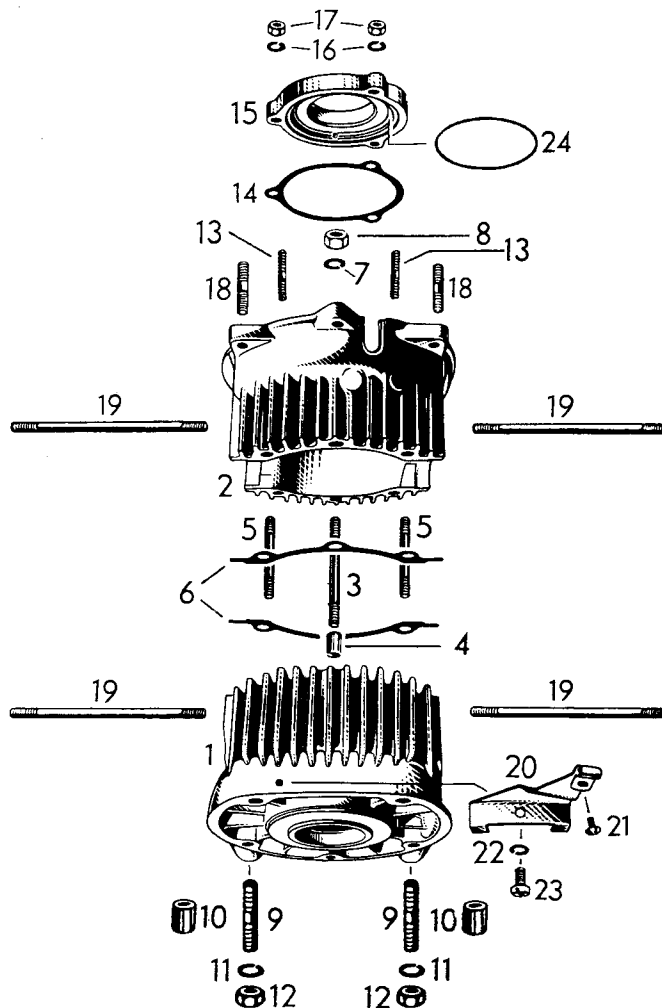
370 cc - ELECTRIC

# FAN COWL, FAN, ELECTRIC STARTER

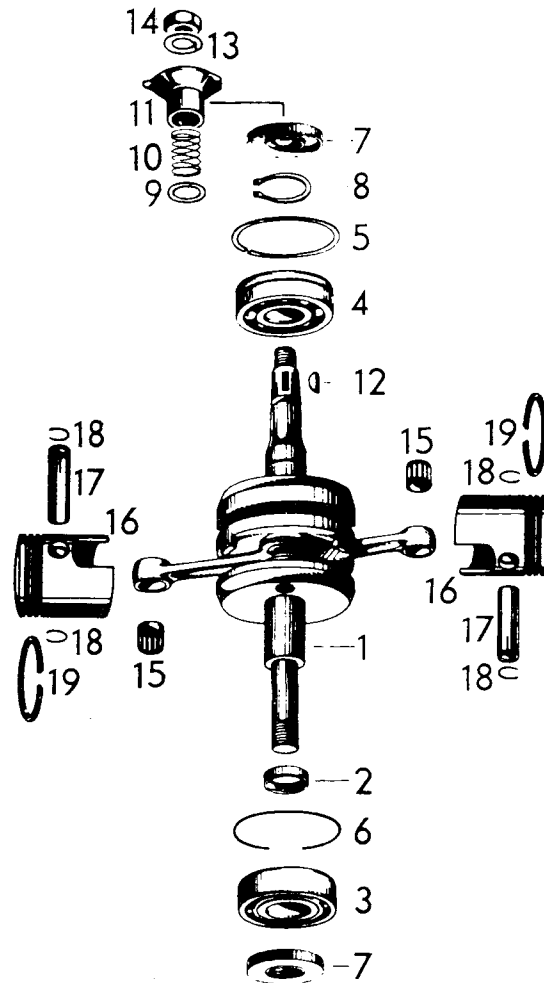
# DÉMARREUR, VENTILATEUR



ITEM NO.	PART NO.	DESCRIPTION	QUANTITY		ITEM NO.	PART NO.	DESCRIPTION	QUANTITY	
			370	370E				370	370E
1,2,3,4,5,	402 0045	Fan cowl ass'y	1	1	18	402 5012	Hex. screw M6 x 15	8	8
1	402 0109	Fan cowl	1	1	19	402 4096	Spring, centrifugal weight	1	1
2	402 0110	Cover, fan cowl	1	1	20	402 7001	Washer, bearing screw	1	1
3	402 0070	Fit bolt M6	2	2	21	402 0146	Centrifugal weight	1	1
4	402 0015	Lock washer 6	4	4	22	402 4094	Bearing screw M6	1	1
5	402 0069	Cyl. screw M6 x 28	4	4	23	402 4089	Stud M6 x 15, starting pulley	2	2
6	402 0084	Labyrinth ring	1	1	24	402 7055	Cover, starter flange	1	1
7	402 0016	Lock washer 8	6	6	26	402 2003	Stud M8 x 18, electric starter		2
8	402 0017	Hex. nut M8	6	6	27	402 4005	Electric starter	1	1
9	402 0086	Front cylinder cowl	1	1	28	402 0016	Lock washer 8	2	2
10	402 0054	Rear cylinder cowl	1	1	29	402 2041	Hex. nut M8, for wrench 11 mm		2
11	402 0060	Clamp, ignition cable	2	2	30	402 7054	Starter bracket	1	1
12	402 4024	Lock washer 5	8	8	31	402 4022	Washer 5. 3 mm	4	4
13	402 5045	Flat headed screw M5 x 8	8	8	32	402 0105	Hex. stop nut M5	2	2
14	402 2021	Stud M6 x 20, coil mounting bracket	2	2	33	402 0015	Lock washer 6	2	2
15	402 4108	Fan ass'y	1	1	34	402 4028	Cyl. screw M6 x 15	2	2
16	402 4011	Ring gear 101 t.	1	1	35	402 0092	Direction plate	1	1
17	402 0015	Lock washer 6	8	8					



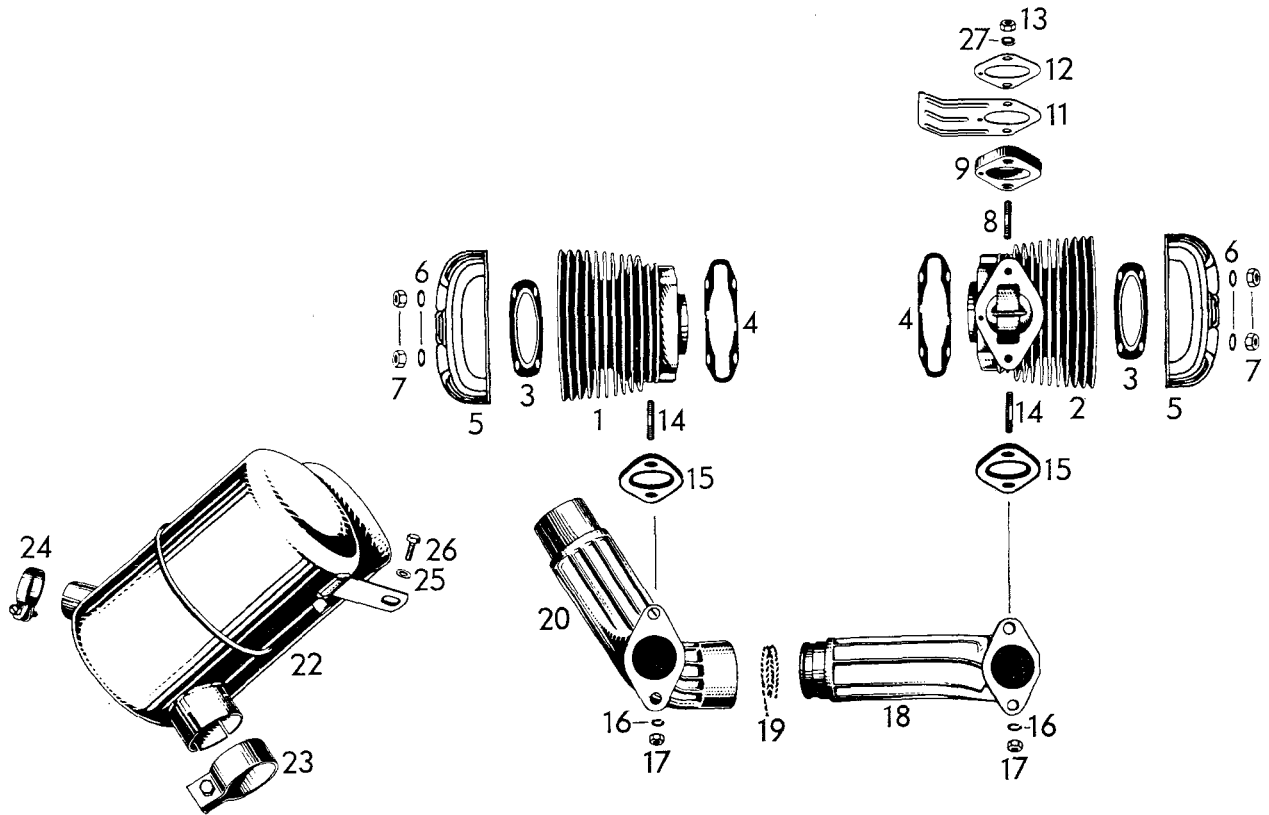
ITEM NO.	PART NO.	DESCRIPTION	QUANTITY		ITEM NO.	PART NO.	DESCRIPTION	QUANTITY	
			370	370E				370	370E
1,2,3,4,5,	402 0004	Crankcase Ass'y	1	1	14	402 2076	Gasket, Bearing Cover	1	1
3	402 0010	Stud M8 x 65	2	2	15,24	402 0111	Bearing Cover with O-ring	1	1
4	402 1015	Dowel Tube	2	2	16	402 0015	Lock Washer 6	3	3
5	402 0007	Stud M8 x 56	4	4	17	402 2053	Hex. Nut M6	3	3
6	402 0013	Crankcase Gasket	2	2	18	402 2003	Stud M8 x 18, Fan Cowl	6	6
7	402 0016	Lock Washer 8	6	6	19	402 0077	Stud M8 x 138, Cylinder	4	4
8	402 0017	Hex. Nut M8	6	6	20,21	402 0106	Gas Cable Bracket Ass'y	1	1
9	402 0023	Stud M10 x 39	4	4	21	402 5045	Flat Headed Screw M5 x 8	1	1
10	402 0091	Distance Sleeve	4	4	22	402 0015	Lock Washer 6	1	1
11	402 0025	Lock Washer 10	4	4	23	402 0040	Cyl. Screw M6 x 10		
12	402 0026	Hex. Nut M10	4	4			(engine without electric starter)	1	
13	402 0047	Stud M6 x 18, Bearing Cover	3	3	24	402 0112	O-ring, Bearing Cover	1	1



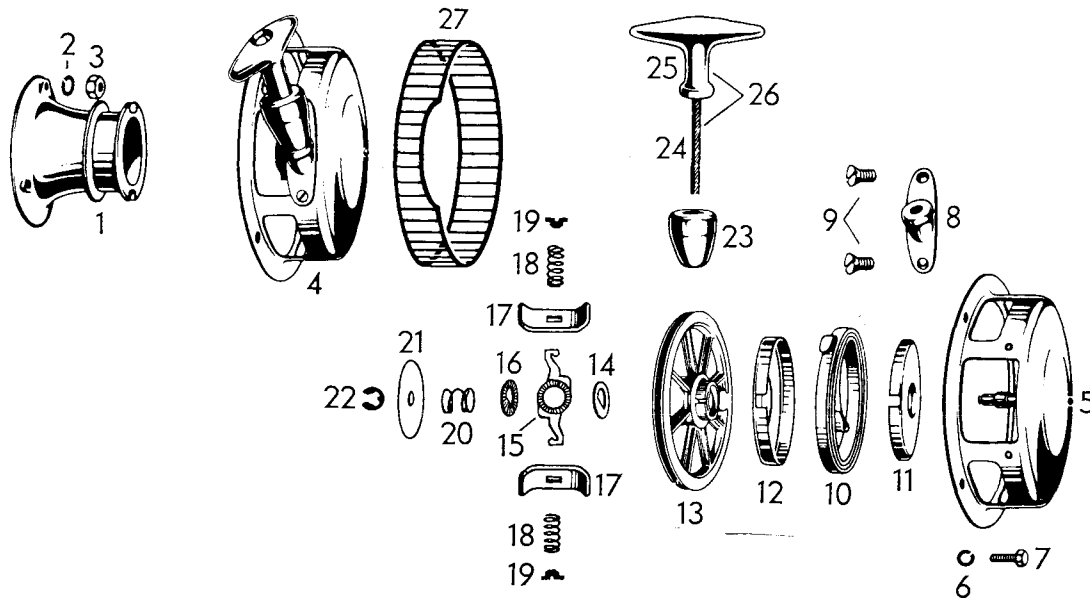
ITEM NO.	PART NO.	DESCRIPTION	QUANTITY		ITEM NO.	PART NO.	DESCRIPTION	QUANTITY	
			370	370E				370	370E
1	402 1088	Crankshaft Ass'y	1	1	13	402 1040	Lock Washer, Crankshaft	1	1
2	402 1013	Distance Sleeve, Crankshaft	1	1	14	402 1043	Hex. Nut M18 x 1, 5, Crankshaft	1	1
3	402 1008	Roller Bearing	1	1	15	402 1033	Needle Cage, Gudgeon Pin	2	2
4	402 1007	Deep Groove Ball Bearing	1	1	16	402 1044	Piston with 2 Rings, 62 MM Ø, Std.	2	2
5	402 1105	Groove Ring, Ball Bearing	1	1	16	402 1160	Dto., 62,5 MM Ø, 1st oversize	2	2
6	402 1068	Locking Ring 72, Roller Bearing	1	1	17	402 1063	Gudgeon Pin	2	2
7	402 1003	Oil Seal	2	2	18	402 1067	Circlip, Gudgeon Pin	4	4
8	402 1041	Circlip 30 x 1, 5	1	1	19	402 1081	Piston Ring 62MM Ø, Std.	4	4
9	402 1026	Washer, Breaker Cam Spring	1	1	19	402 1070	Dto., 62,5 MM, Ø, 1st oversize	4	4
10	402 1036	Spring, Breaker Cam	1	1					
11	402 1127	Breaker Cam	1	1					
12	402 1010	Woodruff Key	1	1					

CYLINDER, MUFFLER

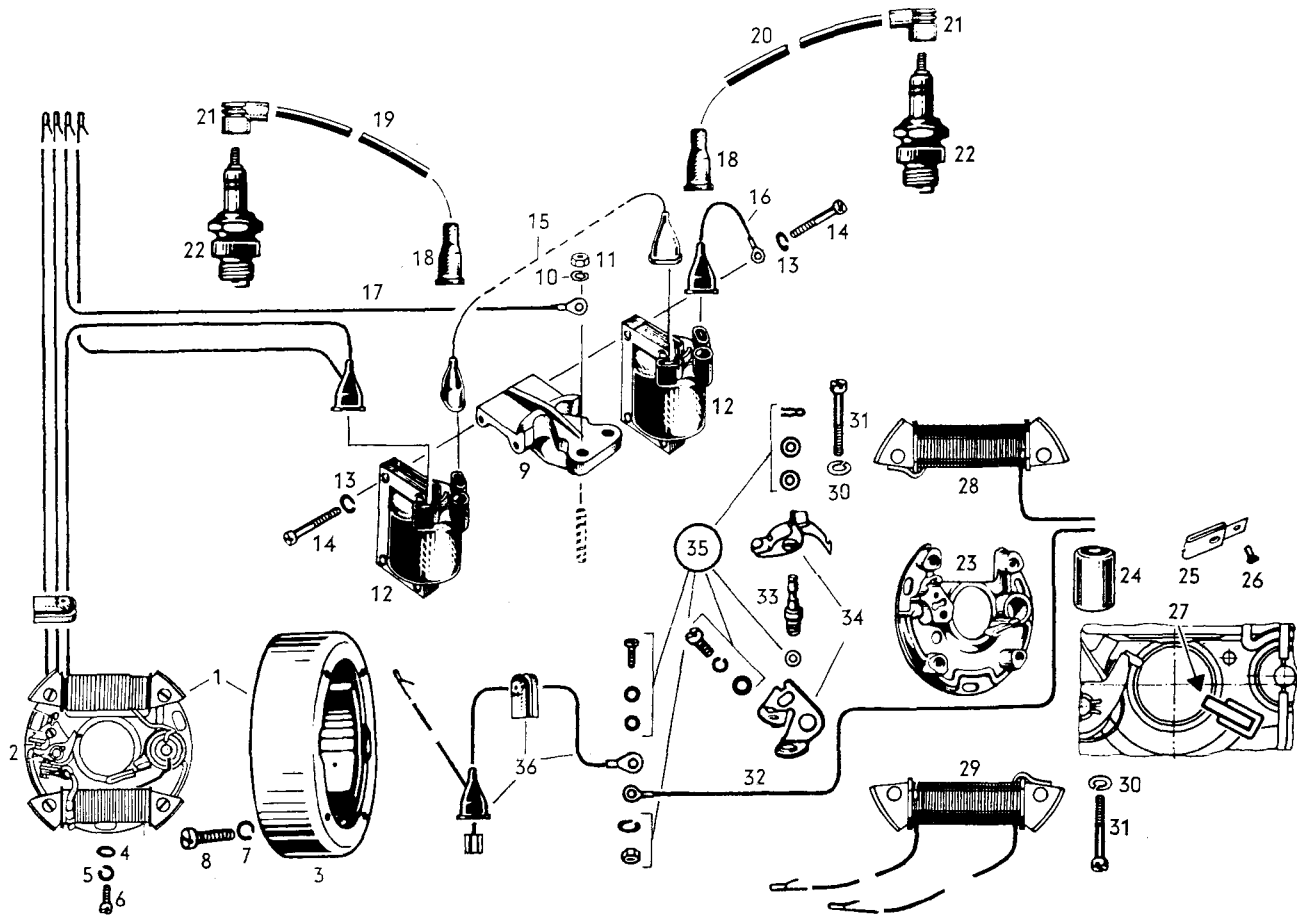
CYLINDRE, SILENCIEUX



ITEM NO.	PART NO.	DESCRIPTION	QUANTITY		ITEM NO.	PART NO.	DESCRIPTION	QUANTITY	
			370	370E				370	370E
1	402 2079	Front cylinder	1	1	11	402 2075	Carburetor shield	1	1
2	402 2080	Rear Cylinder	1	1	12	402 2078	Gasket, intake flange	1	1
3	402 2027	Gasket, cylinder head	2	2	13	402 2041	Hex. nut M8	2	2
4	402 2074	Gasket, cylinder flange	2	2	14	402 0030	Stud M8 x 21, 5	4	4
5	402 2073	Cylinder head	2	2	15	402 2043	Exhaust gasket	2	2
6	402 0031	Washer, cylinder head	8	8	16	402 2147	Lock washer 8	2	2
7	402 0018	Hex. nut M8	8	8	17	402 0018	Hex. nut M8	4	4
8	402 2022	Stud M8 x 30, for isolating flange 10 mm thick	2	2	18	402 2066	Exhaust elbow	1	1
8	402 2159	Stud M8 x 41, for isolating flange 20 mm thick	2	2	19	402 2065	Asbesto string, 320 mm	1	1
9	402 2090	Isolating flange 10 mm thick	1	1	20	402 2067	Exhaust elbow	1	1
9	402 2171	Isolating flange 20 mm thick	1	1	22	402 2064	Muffler ass'y	1	1
					23	402 2050	Clamp, muffler	1	1
					24	402 2049	Clamp, muffler outlet tube	1	1
					25	402 0031	Washer	1	1
					26	402 2001	Hex. screw M8 x 18	1	1
					27	402 2072	Isolating washer	2	2



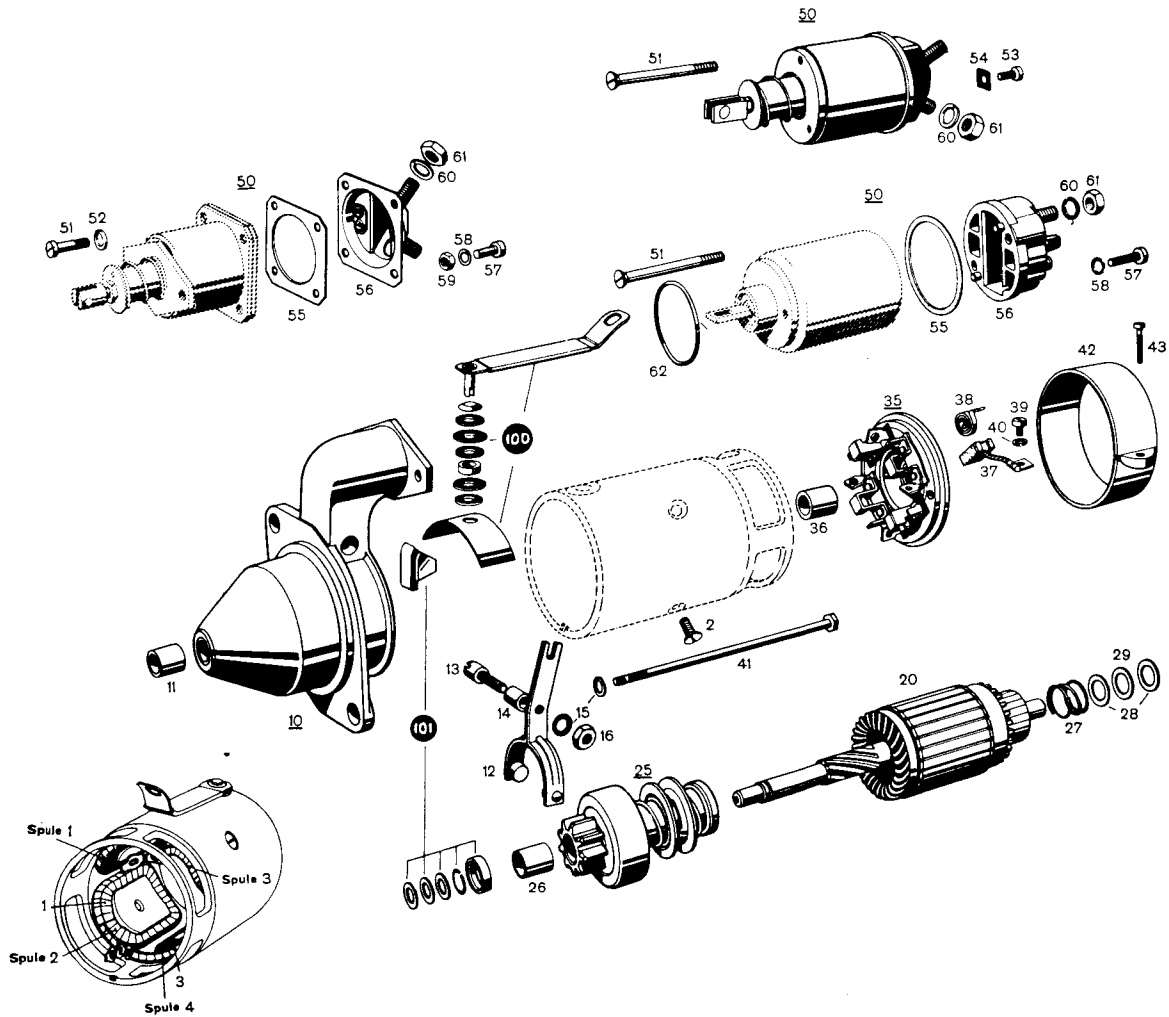
ITEM NO.	PART NO.	DESCRIPTION	QUANTITY		ITEM NO.	PART NO.	DESCRIPTION	QUANTITY	
			370	370E				370	370E
1	402 5004	Starting Pulley	1	1	13	402 5015	Rope Sheave	1	1
2	402 0015	Lock Washer 6, Starting Pulley	3	3	14	402 5026	D-Washer	1	1
3	402 2053	Hex. Nut M6 Starting Pulley	3	3	15	402 5028	Pivot Arm	1	1
4	402 5041	Rewind Starter Ass'y	1	1	16	402 5027	Friction Washer	1	1
5	402 5008	Starter Housing	1	1	17	402 5029	Pawl	2	2
6	402 0015	Lock Washer 6	4	4	18	402 5030	Pawl Spring	2	2
7	402 3031	Hex. Screw M6 x 12	4	4	19	402 5031	Pawl Spring Stop	2	2
8	402 5009	Starter Stop	1	1	20	402 5032	Friction Spring	1	1
9	402 5037	Countersunk Screw M5 x 8	2	2	21	402 5033	Washer 38/6. 5/1	1	1
10	402 5022	Rewind Spring	1	1	22	402 5034	Circlip	1	1
11	402 5038	Spring Guide	1	1	23	402 5039	Rubber Buffer	1	1
12	402 5044	Cover, Spring Guide	1	1	24	402 5020	Starter Rope 1500 mm	1	1
10,11,12	402 5023	Spring Cartridge	1	1	25	402 5019	Starter Grip	1	1
					26	402 5021	Starter Rope with Grip	1	1
					27	402 0107	Plastic Protection Sleeve	1	1



ITEM NO.	PART NO.	DESCRIPTION	QUANTITY		ITEM NO.	PART NO.	DESCRIPTION	QUANTITY	
			370	370E				370	370E
1	402 4171	Magneto generator ass'y 12V 75W	1	1	21	402 4076	Spark plug protector	2	2
2	402 4172	Armature plate ass'y with cable grommet	1	1	22	402 4145	Spark plug BOSCH W240 T1	2	2
3	402 4167	Magneto ring	1	1	23	402 4037	Armature plate alone	1	1
4	402 4022	Washer	3	3	24	402 4068	Condenser	1	1
5	402 4024	Lock washer 5	3	3	25	402 4071	Lubricating wick (to be riveted)	1	1
6	402 5001	Cyl. screw M5 x 15	3	3	26	402 4072	Rivet, lubricating wick	1	1
7	402 0015	Lock washer 6	4	4	27	402 4116	Lubricating wick (to be inserted)	1	1
8	402 4028	Cyl. screw M6 x 15	4	4	28	402 4180	Generator coil	1	1
9	402 4114	Mounting flange, ignition coils	1	1	29	402 4107	Lighting coil with 2 cables 400 mm and contact pins	1	1
10	402 0015	Lock washer 6	2	2	30	402 4024	Lock washer 5	4	4
11	402 2053	Hex. nut M6	2	2	31	402 4048	Cylinder screw M5 x 28, for lighting coil	2	2
12	402 7008	Ignition coil	2	2	31	402 7004	Cyl. screw M5 x 25, for generator coil	2	2
13	402 4024	Lock washer 5	4	4	32	402 4070	Cable, condenser	1	1
14	402 7004	Cyl. screw M5 x 22	3	3	33	402 4049	Pivot pin, contact breaker	1	1
14	402 4179	Flat head screw M5 x 22	1	1	34	402 4050	Contact and breaker points set	1	1
15	402 7010	Connection cable ass'y, blue	1	1	35	402 7016	Parts set	1	1
16	402 7011	Mass cable ass'y, yellow	1	1	36	402 7017	Generator and shorting cables ass'y	1	1
17	402 7012	Mass cable, yellow, 175 mm	1	1					
18	402 7003	Protection cap, ignition coil, cable	2	2					
19	402 7006	Ignition cable 465 mm	1	1					
20	402 7007	Ignition cable 410 mm	1	1					

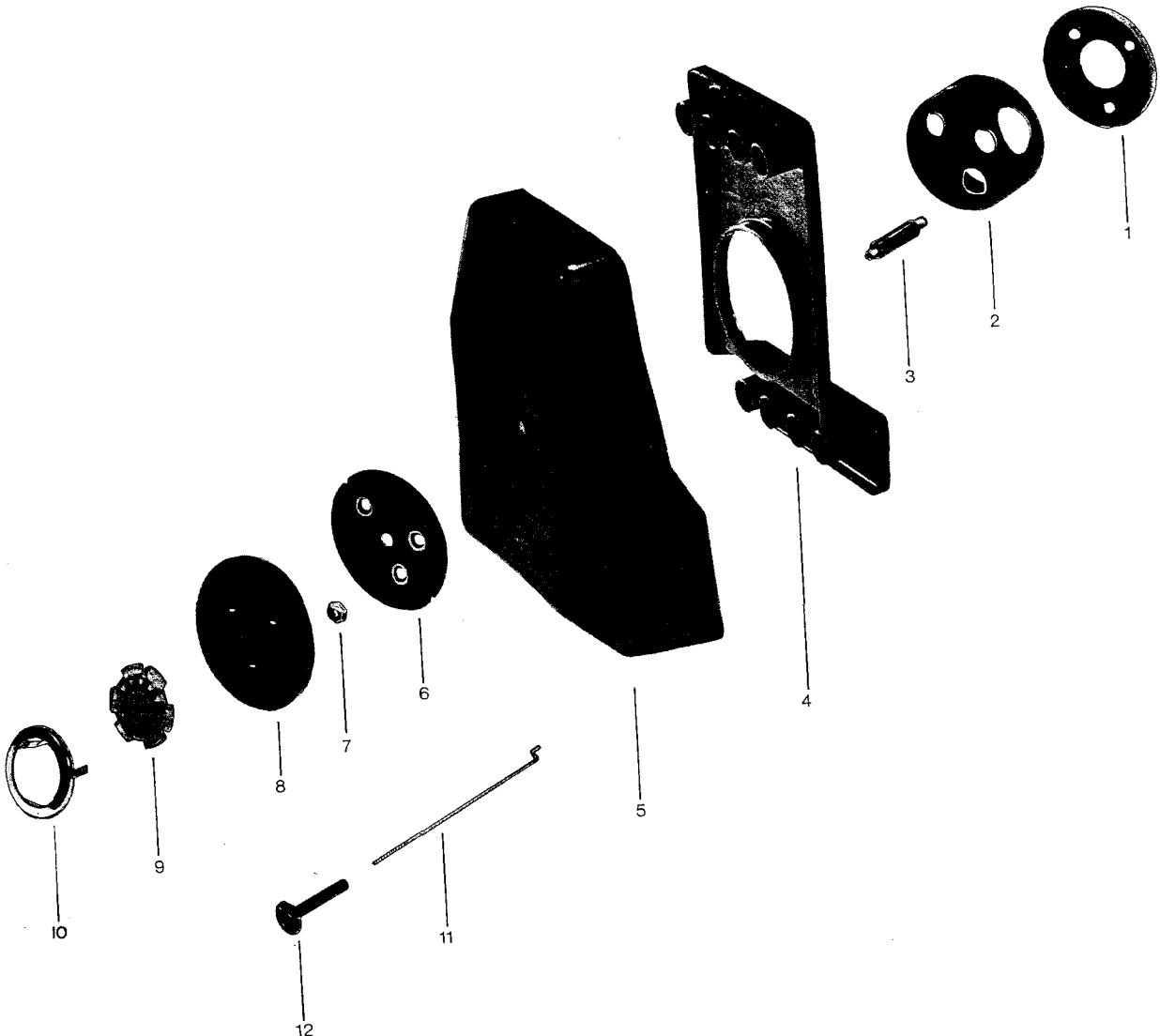
# ELECTRIC STARTER, SPARE PARTS

# DÉMARREUR ÉLECTRIQUE

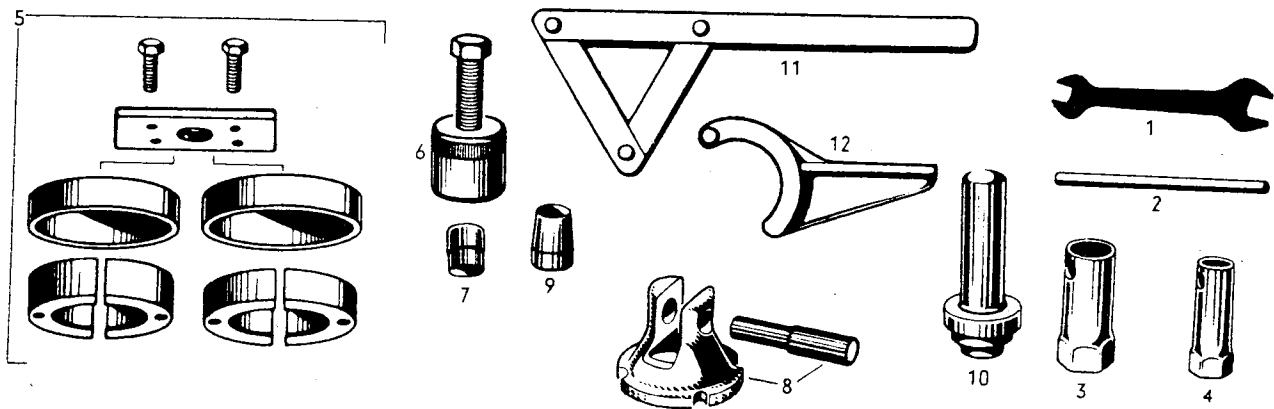


ITEM NO.	PART NO.	DESCRIPTION	QUANTITY 370E	ITEM NO.	PART NO.	DESCRIPTION	QUANTITY 370E
1	402 7052	Field Winding Coils 1 & 2	1	35	402 7034	Commutator End Bracker Ass'y (with Parts III. No. 36 to 40)	1
1	402 7053	Field Winding Coils 3 & 4	1				
2	402 7020	Countersunk Screw M6 x 10	4				
3	402 7051	Connecting Rail	1	36	402 7023	Bearing Bushing	1
10	402 7050	Drive End Bracket Ass'y (with Bearing Bushing III. No. 11)	1	37	402 7055	Carbon Brush Set (4 pieces)	1
				38	402 7031	Carbon Brush Spring	4
11	402 7023	Bearing Bushing	1	39A	402 7036	Cyl. Screw M4 x 8	1
12	402 7025	Engaging Lever	1	39B	402 7037	Cyl. Screw M4 x 6	3
13	402 7026	Screw M5	1	40	402 7025	Engaging Lever	4
14	402 7027	Bushing	1	41	402 7048	Cyl. Screw M5	2
15	402 4024	Lock Washer 5	3	42	402 7040	Closing Band	1
16	402 7049	Hex. Nut M5	1	43	402 7038	Cyl. Screw M4 x 20	1
20	402 7056	Armature	1	50	402 7041	Relay Ass'y (with Parts III. No. 53-59)	1
25	402 7029	Drive Ass'y (with Bearing Bushing III. No. 26)	1	51	402 7042	Countersunk Screw M5 x 50	3
				53	402 7036	Cyl. Screw M4 x 8, Terminal 80	1
26	402 7024	Bearing Bushing	1	54	402 7043	Plate, Terminal 50	1
27	402 7030	Helical Spring, Armature Brake	1	60	402 0016	Lock Washer 8	1
28	402 7032	Washer 10.3 / 20 / 0.5 mm, Armature Brake	2	61	402 7044	Hex. Nut M8	1
29	402 7033	Isolating Washer 10.3 / 16 / 1 mm	1	100	402 7047	Parts Set for Terminal	1
				101	402 7046	Parts Set for Armature	1





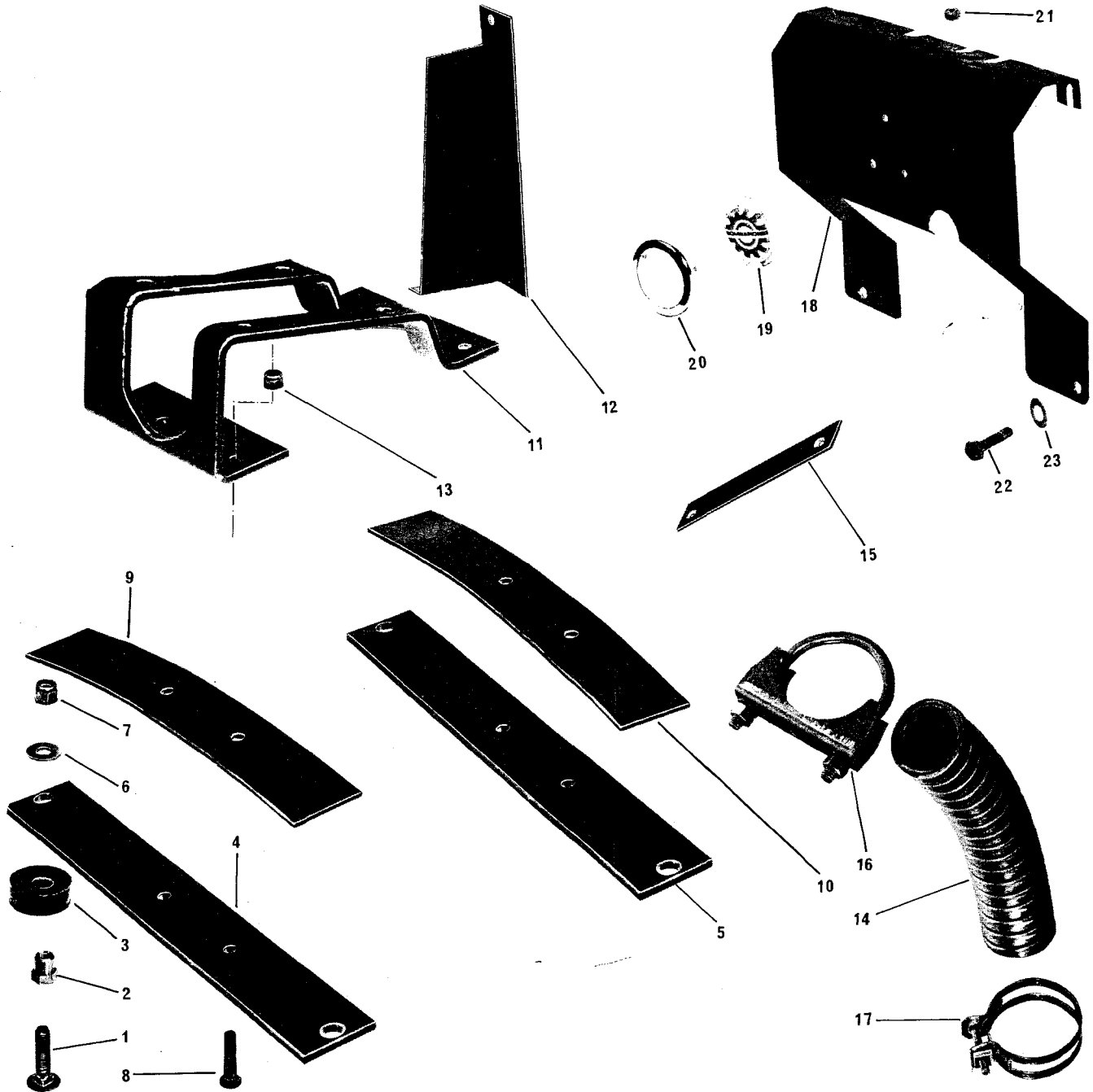
ITEM NO.	PART NO.	DESCRIPTION	QUANTITY		ITEM NO.	PART NO.	DESCRIPTION	QUANTITY	
			370	370E				370	370E
1	402 3003	Silencer Bottom	1	1	7	386 6119	Lock Nut	3	3
2	402 3007	Silencer Socket	1	1	8	414 0271	Intake Silencer Cap	1	1
3	402 3019	Collar Stud	3	3	9	414 0186	Console Crest	1	1
4	414 0171	Lower Half Intake Silencer	1	1	10	517 0123	Crest Retaining Ring	1	1
5	414 0170	Upper Half Intake Silencer	1	1	11	402 3022	Choker Rod	1	1
6	402 3015	Retaining Disk	1	1	12	402 3020	Choker Button	1	1



ITEM NO.	PART NO.	DESCRIPTION	ITEM NO.	PART NO.	DESCRIPTION
1,2,3,4	402 8027	Tool Set	6	402 8004	Puller for Flywheel
1	402 8023	Fork Wrench 10 / 13 mm	7	402 8005	Protection Cap 18 mm
2	402 8039	Pin 8 x 130 mm, Socket Wrench	8	402 8014	Holder with Bolt, Connecting Rod
3	402 8026	Socket Wrench 21 mm, Spark Plug	9	402 8035	Sleeve for Oil Seal
4	402 8024	Socket Wrench 13 mm	10	402 8037	Stamp to mount Oil Seal
4	402 8047	Socket Wrench 11 mm	11	402 8034	Wrench to hold Fan
5	402 8033	Puller Ass'y for Bearings 402 1008 and 402 1007	12	402 8038	Holder, Crankshaft

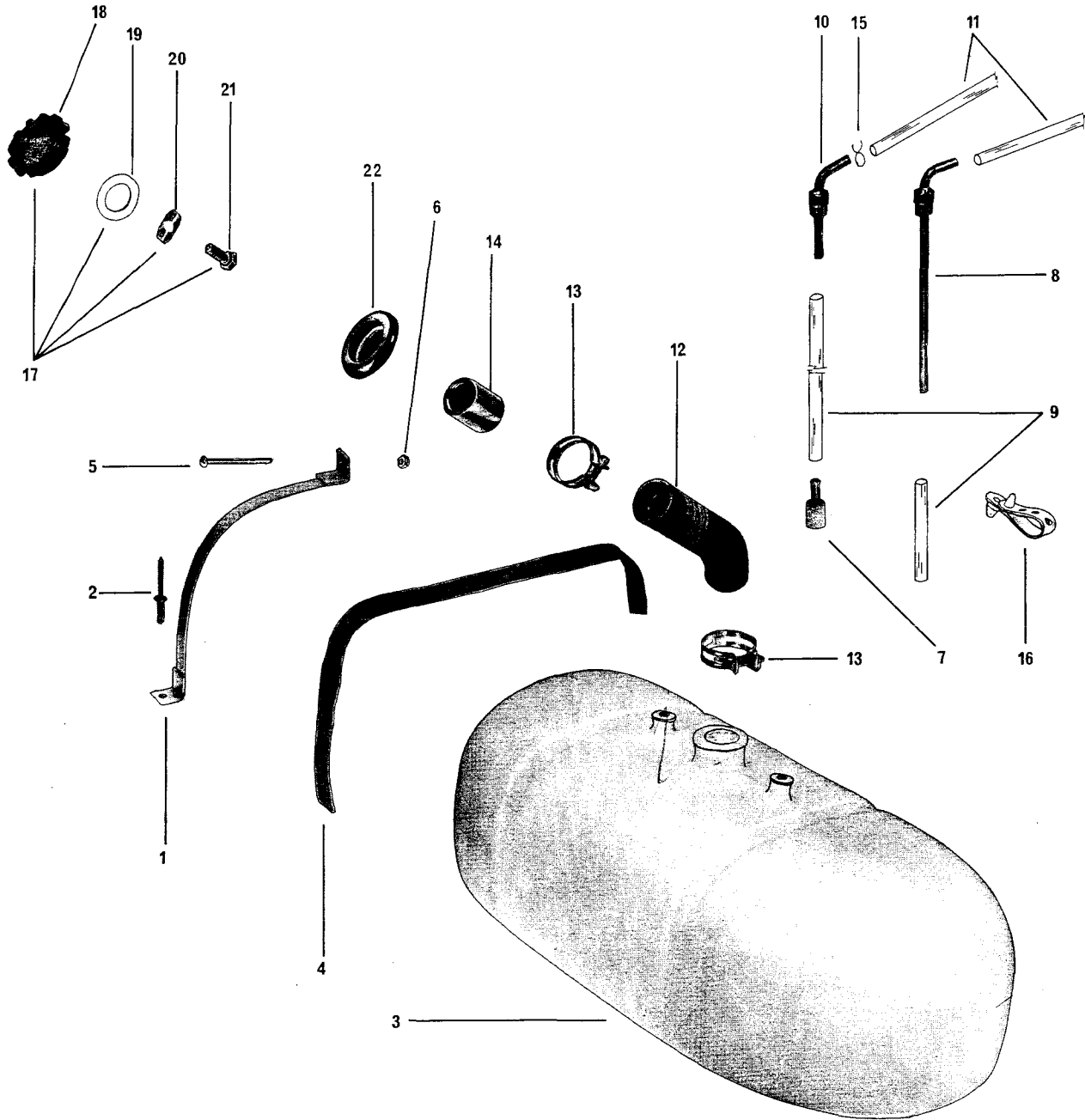
ENGINE

MOTEUR

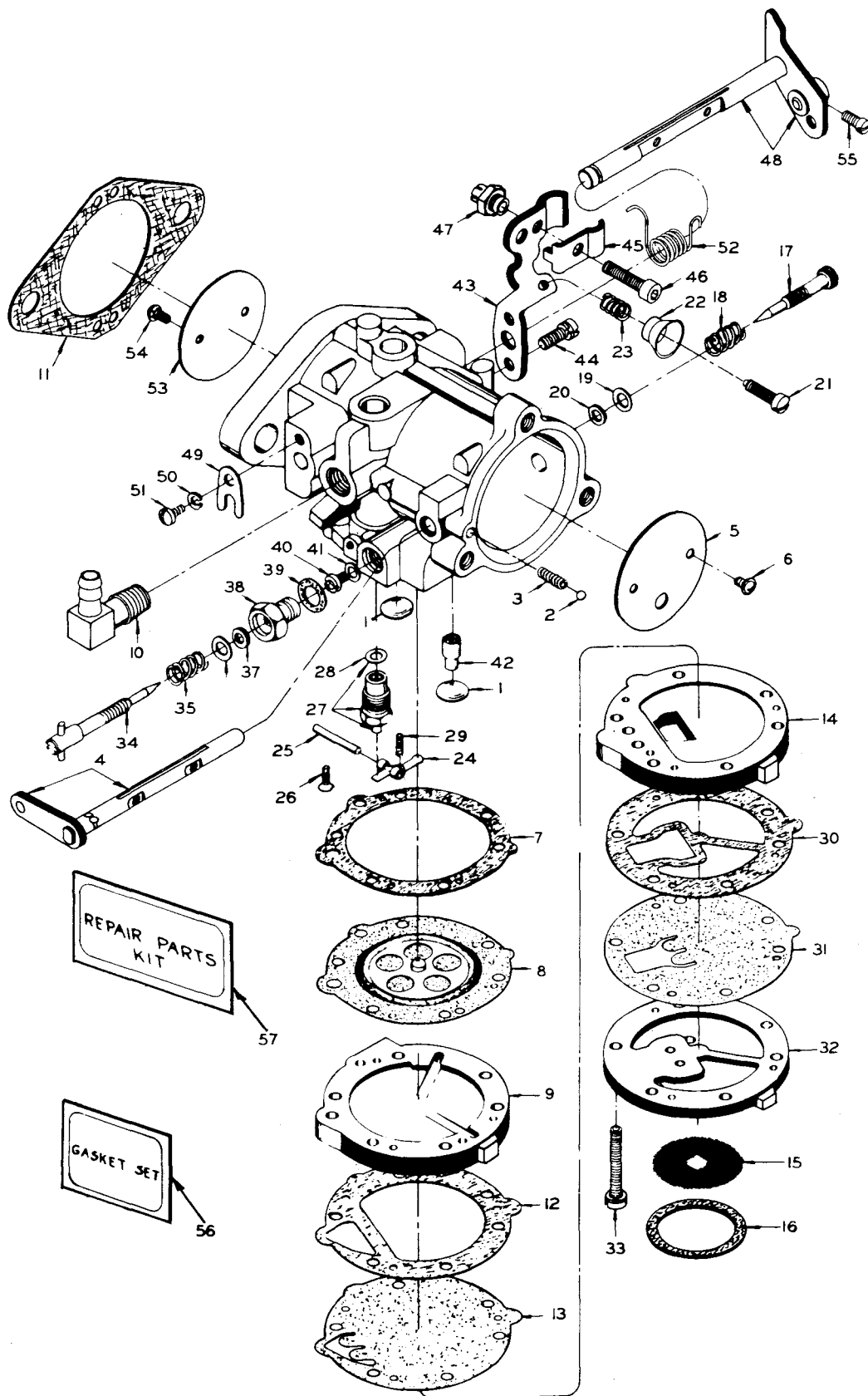


ITEM NO.	PART NO.	DESCRIPTION	QUANTITY			ITEM NO.	PART NO.	DESCRIPTION	QUANTITY		
			370	370E	640E				370	370E	640E
1	360 8007	Carriage Bolt	4	4	4	12	512 0062	Engine Protector			1
2	512 0011	Threaded Bushing	4	4	4	13	386 6022	Nut	4	4	6
3	570 1202	Insulator Rubber	4	4	4	14	514 0020	Exhaust Pipe	1	1	
4	512 0012	Engine Support	2	2		14	514 0034	Exhaust Pipe			1
4	512 0060	Engine Support (Front)			1	15	512 0063	Muffler Bracket			1
5	512 0056	Engine Support (Rear)			1	16	414 0222	Muffler Clamp 2 Ø	1	1	3
6	399 9006	Flat Washer	4	4	4	17	408 8002	Exhaust Clamp 1-7/8 Ø			1
7	386 6024	Nut	4	4	4	18	512 0051	Engine Console			1
8	309 8025	Bolt w/Knurling	4	4	6	19	414 0186	Console Crest			1
9	512 0050	Leaf Spring	2	2		20	517 0123	Crest Retaining Ring			1
9	512 0061	Leaf Spring (Front)			1	21	570 1503	Grommet			2
10	512 0057	Leaf Spring (Rear)			1	22	300 5000	Cap Screw			4
11	512 0023	Engine Bracket	1	1		23	399 9032	Flat Washer			4
11	512 0058	Engine Bracket	-	-	1						

**NOTE**

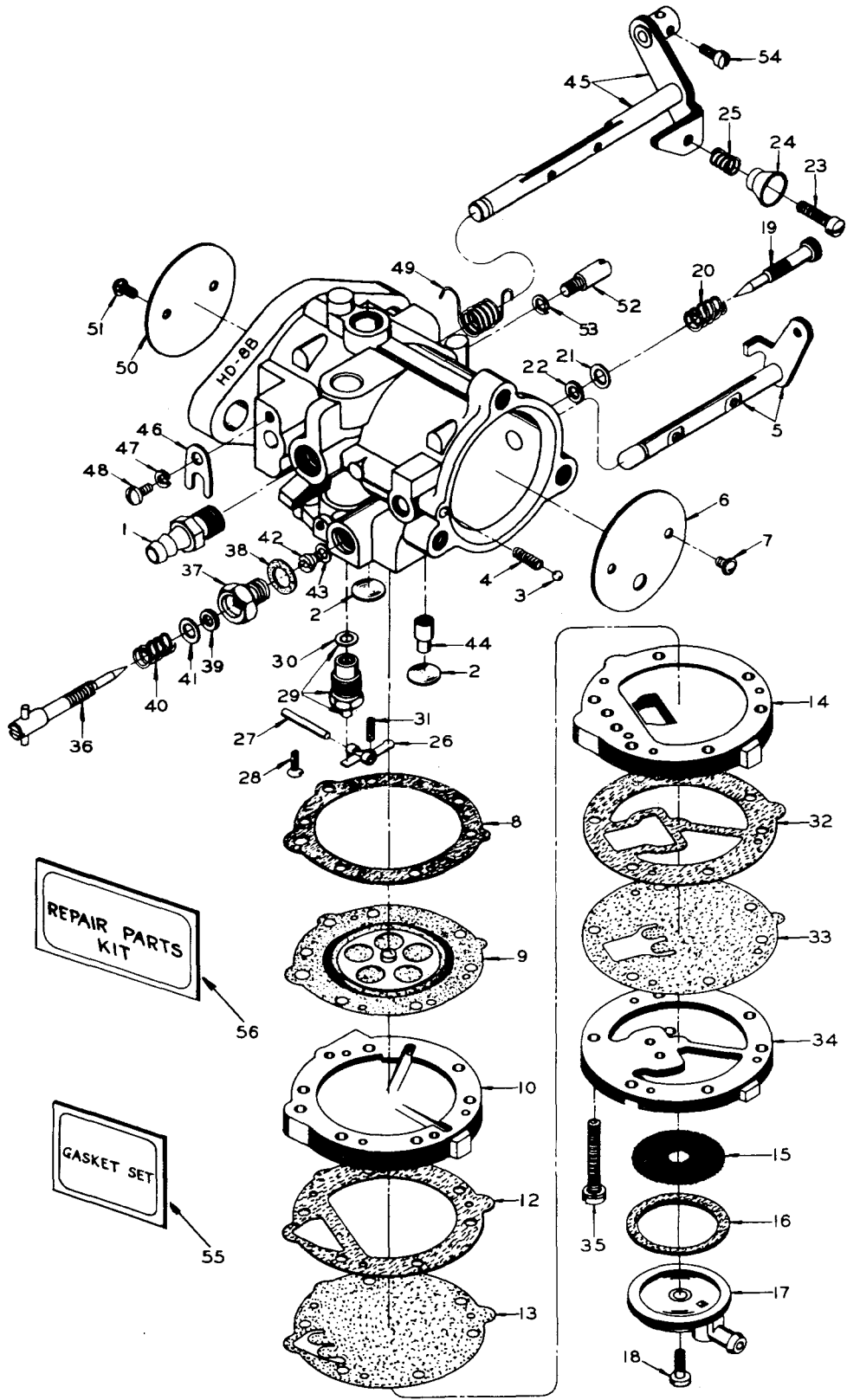


ITEM NO.	PART NO.	DESCRIPTION	QUANTITY			ITEM NO.	PART NO.	DESCRIPTION	QUANTITY		
			370	370E	640E				370	370E	640E
1	513 0027	Retaining Strip	4	4	4	12	570 1303	Filler Pipe	1	1	1
2	390 4003	Pop Rivet	4	4	4	13	408 8002	Clamp	2	2	2
3	414 0355	Fuel Tank	1	1	1	14	513 0044	Filler Neck	1	1	1
4	517 0061	Protector Strip	2	2	2	15	414 0128	Hose Clamp	2	2	2
5	320 1070	Machine Screw	2	2	2	16	410 9031	Plastic Strip	1	1	1
6	386 6013	Nut	2	2	2	17	580 3028	Fuel Tank Cap Ass'y	1	1	1
7	414 0106	Fuel Filter	1	1	1	18	414 0290	Fuel Tank Cap	1	1	1
8	513 0035	Fuel Line Adaptor	1	1	1	19	414 0293	Gasket	1	1	1
9	414 0182	Fuel Line (Mult. 12'')	-	-	-	20	513 0047	Spring	1	1	1
10	513 0013	Fuel Line Adaptor	1	1	1	21	300 5080	Bolt	1	1	1
11	414 0130	Fuel Line (Mult. 12'')	-	-	-	22	570 1719	Filler Pipe Grommet	1	1	1



ITEM NO.	PART NO.	DESCRIPTION	QUANTITY	ITEM NO.	PART NO.	DESCRIPTION	QUANTITY
1	404 0011	*Body Channel Welch Plug	2	34	404 0055	*High Speed Mixture Screw	1
2	404 0013	Choke Friction Ball	1	35	404 0147	High Speed Mixture Screw Gland	1
3	404 0014	Choke Friction Spring	1				
4	404 0210	Choke Shaft & Lever	1	36	404 0144	High Speed Mixture Screw Gland Gasket	1
5	404 0180	Choke Shutter	1				
6	404 0028	Choke Shutter Screw	2	37	404 0063	High Speed Mixture Screw Packing	1
7	404 0031	Diaphragm Gasket	1				
8	404 0033	*Diaphragm	1	38	404 0068	*High Speed Mixture Screw Spring	1
9	404 0165	Diaphragm Cover	1				
10	404 0211	Elbow Connector Assembly	1	39	404 0058	High Speed Mixture Screw Washer	1
11	404 0212	Flange Gasket	1				
12	404 0166	Fuel Pump Gasket	1	40	404 0179	*Main Fuel Jet (.120)	1
13	404 0167	*Fuel Pump Diaphragm	1	41	404 0174	Main Fuel Jet Gasket	1
14	404 0168	Fuel Pump Body	1	42	404 0089	Nozzle Check Valve	1
15	404 0181	*Fuel Strainer Screen	1	43	404 0214	Throttle Cable Bracket	1
16	404 0050	Fuel Strainer Cover Gasket	1	44	404 0048	Throttle Cable Bracket Ret. Screw	2
17	404 0054	*Idle Mixture Screw	1				
18	404 0068	*Idle Mixture Screw Spring	1	45	404 0215	Throttle Cable Clamp	1
19	404 0058	Idle Mixture Screw Washer	1	46	404 0216	Throttle Cable Clamp Ret. Screw	1
20	404 0063	Idle Mixture Screw Packing	1				
21	404 0064	*Idle Speed Screw	1	47	404 0217	Throttle Cable Clamp Ret. Nut	1
22	404 0158	Idle Speed Screw Cup	1				
23	404 0067	*Idle Speed Screw Spring	1	48	404 0218	Throttle Shaft & Lever	1
24	404 0069	*Inlet Control Lever	1	49	404 0104	Throttle Shaft Clip	1
25	404 0072	*Inlet Control Lever Pin	1	50	404 0105	Throttle Shaft Clip Lockwasher	1
26	404 0073	*Inlet Control Lever Pin Ret. Screw	1	51	404 0106	Throttle Shaft Clip Ret. Screw	1
27	404 0169	*Inlet Needle, Seat & Gasket	1				
28	404 0080	Inlet Seat Gasket	1	52	404 0219	*Throttle Shaft Return Spring	1
29	404 0081	*Inlet Tension Spring	1				
30	404 0170	Inlet Valve Gasket	1	53	404 0116	Throttle Shutter	1
31	404 0171	*Inlet Valve Diaphragm	1	54	404 0028	*Throttle Shutter Screw	2
32	404 0213	Inlet Valve Body	1	55	404 0220	*Throttle Wire Ret. Screw	1
33	404 0173	Inlet Valve Body Screw & Lockwasher	6	56	404 0221	*Gasket Set	1
				57	404 0222	Repair Parts Kit	1

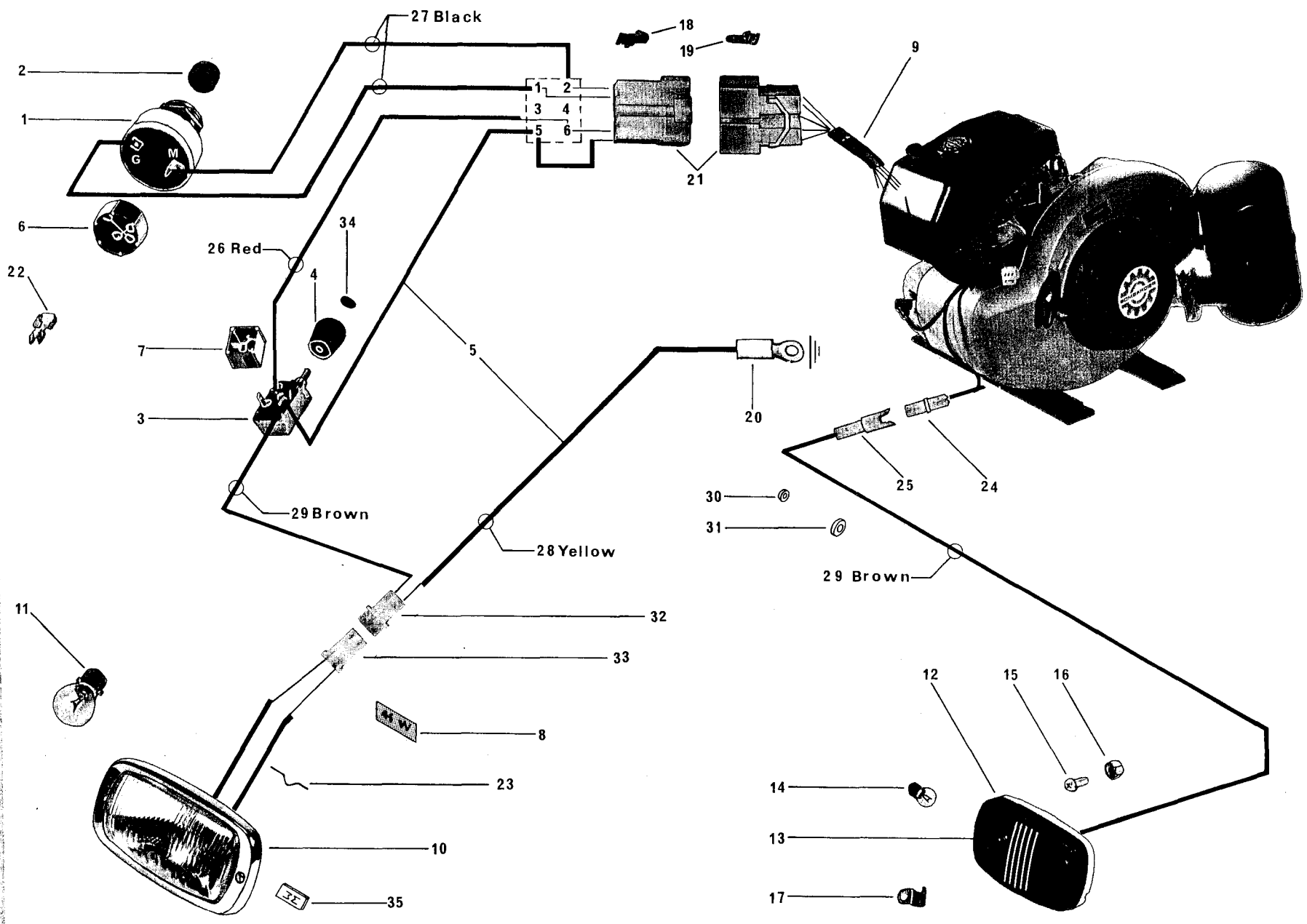
(\*) Indicates contents of repair parts kit.



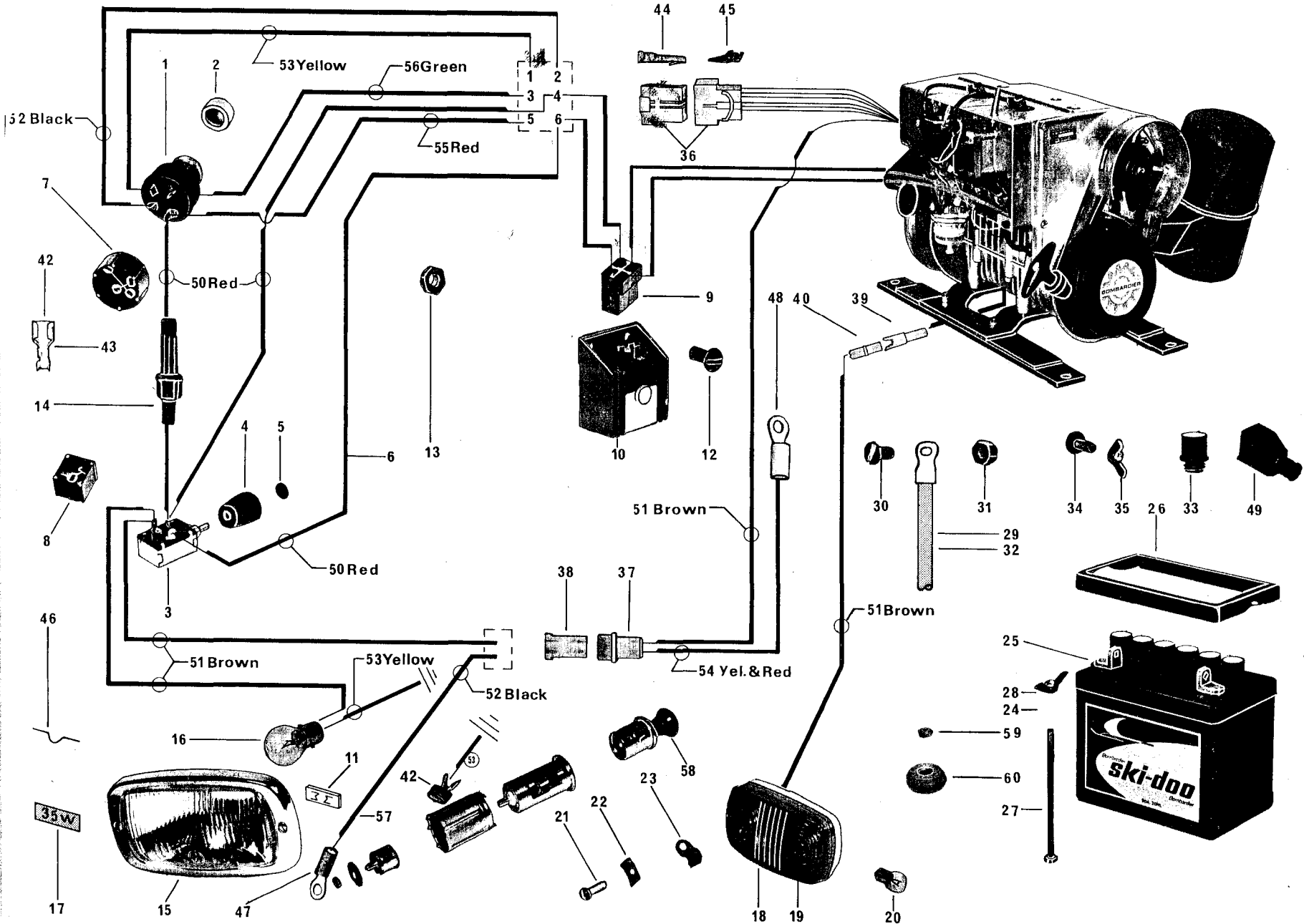


ITEM NO.	PART NO.	DESCRIPTION	QUANTITY 370	ITEM NO.	PART NO.	DESCRIPTION	QUANTITY 370
1	404 0183	Body Channel Line Connection	1	32	404 0170	Inlet Valve Gasket	1
2	404 0011	*Body Channel Welch Plug	2	33	404 0171	*Inlet Valve Diaphragm	1
3	404 0013	Choke Friction Ball	1	34	404 0172	Inlet Valve Body	1
4	404 0014	Choke Friction Spring	1	35	404 0173	Inlet Valve Body Screw & Lockwasher	6
5	404 0021	Choke Shaft & Lever	1	36	404 0055	*High Speed Mixture Screw	1
6	404 0180	Choke Shutter	1	37	404 0147	High Speed Mixture Screw Gland	1
7	404 0028	Choke Shutter Screw	2	38	404 0144	High Speed Mixture Screw Gland Gasket	1
8	404 0031	Diaphragm Gasket	1	39	404 0063	High Speed Mixture Screw Packing	1
9	404 0033	*Diaphragm	1	40	404 0068	*High Speed Mixture Screw Spring	1
10	404 0165	Diaphragm Cover	1	41	404 0058	High Speed Mixture Screw Washer	1
11	404 0207	Flange Gasket	1	42	404 0179	*Main Fuel Jet (.120)	1
12	404 0166	Fuel Pump Gasket	1	43	404 0174	Main Fuel Jet Gasket	1
13	404 0167	*Fuel Pump Diaphragm	1	44	404 0089	Nozzle Check Valve	1
14	404 0168	Fuel Pump Body	1	45	404 0101	Throttle Shaft & Lever	1
15	404 0049	*Fuel Strainer Screen	1	46	404 0104	Throttle Shaft Clip	1
16	404 0050	Fuel Strainer Cover Gasket	1	47	404 0105	Throttle Shaft Clip Lockwasher	1
17	404 0051	Fuel Strainer Cover	1	48	404 0106	Throttle Shaft Clip Ret. Screw	1
18	404 0052	*Fuel Strainer Cover Ret. Screw	1	49	404 0110	*Throttle Shaft Return Spring	1
19	404 0054	*Idle Mixture Screw	1	50	404 0116	Throttle Shutter	1
20	404 0068	*Idle Mixture Screw Spring	1	51	404 0028	*Throttle Shutter Screw	2
21	404 0058	Idle Mixture Screw Washer	1	52	404 0148	Throttle Stop Pin	1
22	404 0063	Idle Mixture Screw Packing	1	53	404 0149	Throttle Stop Pin Lockwasher	1
23	404 0065	*Idle Speed Screw	1	54	404 0135	*Throttle Wire Connection Screw	1
24	404 0158	Idle Speed Screw Cup	1	55	404 0208	*Gasket & Packing Set	1
25	404 0067	*Idle Speed Screw Spring	1	56	404 0184	Repair Parts Kit	1
26	404 0069	*Inlet Control Lever	1				
27	404 0072	*Inlet Control Lever Pin	1				
28	404 0073	*Inlet Control Lever Pin Ret. Screw	1				
29	404 0169	*Inlet Needle, Seat & Gasket	1				
30	404 0080	Inlet Seat Gasket	1				
31	404 0081	*Inlet Tension Spring	1				

(\*) Indicates contents of Repair Parts Kit



ITEM NO.	PART NO.	DESCRIPTION	QUANTITY 370	ITEM NO.	PART NO.	DESCRIPTION	QUANTITY 370
1	410 1006	Ignition Switch	1	19	409 0005	Pin Contactor	3
2	670 1503	Ignition Switch Boot	1	20	409 0017	Open Barrel	1
3	410 1004	Headlight Switch	1	21	409 2017	Pin & Housing Assembly	1
4	414 0251	Headlight Switch Knob	1	22	409 2009	Receptacle	5
5	581 3015	Harness Assy W/Block	1	23	515 0102	Wire Clamp	1
6	410 9033	Ignition Switch Block	1	24	409 2003	Pin Housing (1 Cir.)	1
7	410 9035	Headlight Switch Block	1	25	409 2004	Socket Housing (1 Cir.)	1
8	414 0281	Label (45W)	1	26	409 6018	Wire Red (Mult. 12'')	-
9	410 9040	Spirap Tubing (Mul. 12'')	-	27	409 6021	Wire Black (Mult. 12'')	-
10	410 6010	Projector	1	28	409 6022	Wire Yellow (Mult. 12'')	-
11	410 5008	Bulb (45W)	1	29	409 6020	Wire Brown (Mult. 12'')	-
12	580 4008	Tail Lamp Assembly	1	30	670 1701	Grommet	1
13	410 9019	Tail Lamp Lens	1	31	410 9016	Grommet	1
14	410 5006	Tail Lamp Bulb	2	32	409 2005	Pin Housing (2 Cir.)	1
15	320 1061	Machine Screw	2	33	409 2006	Socket Housing (2 Cir.)	1
16	387 3013	Nut	2	34	414 0345	Knob Decal	1
17	517 0096	Clip	2	35	389 8010	Speed Nut	2
18	409 0004	Socket Contactor	8	-	099 0004	Vinyl Tape	-

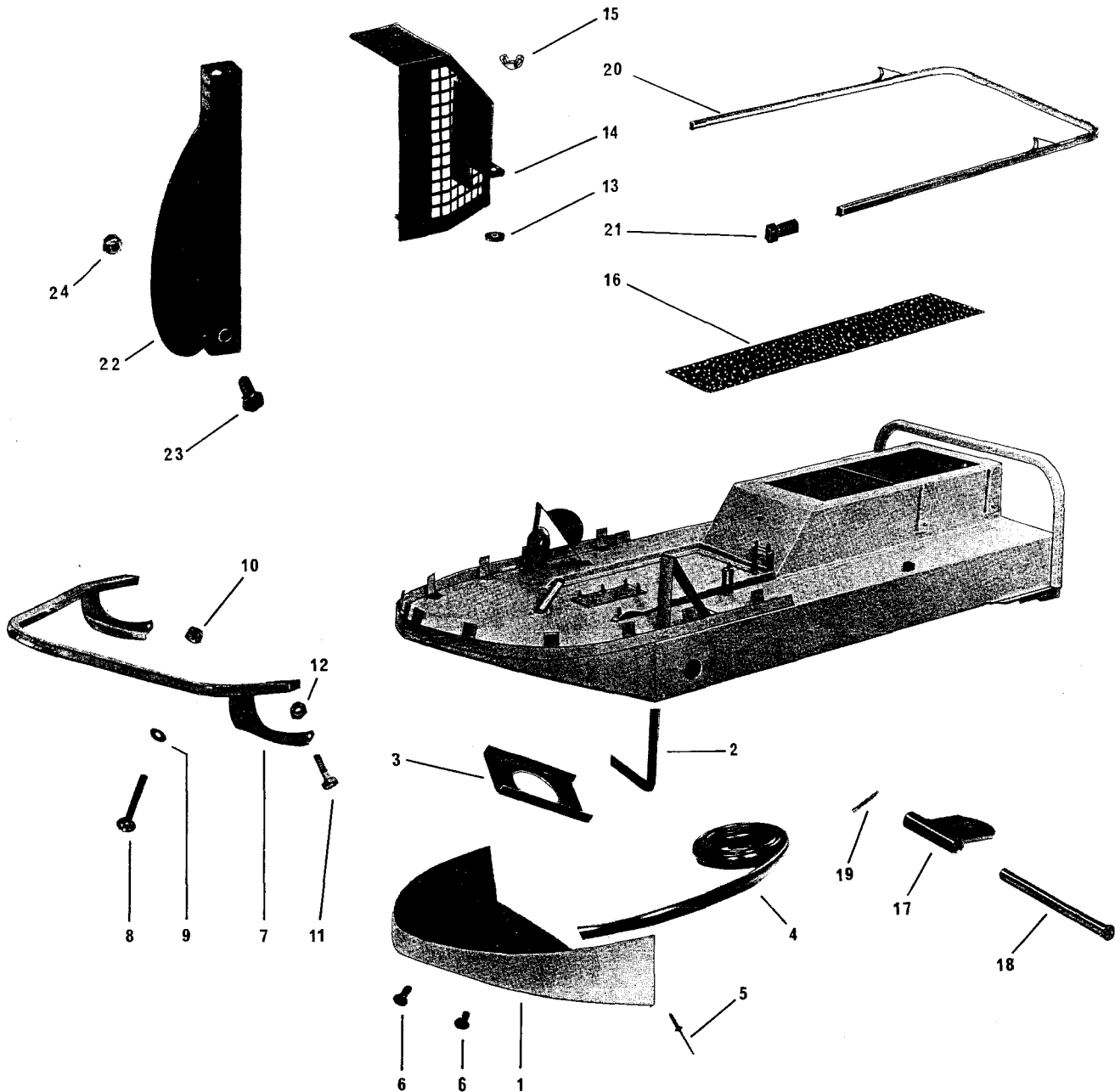


ITEM NO.	PART NO.	DESCRIPTION	QUANTITY		ITEM	PART	DESCRIPTION	QUANTITY	
			370E	640E				370E	640E
1	410 1007	Ignition Switch	1	1	35	386 4022	Wing Nut (P)	1	1
2	670 1503	Ignition Switch Boot	1	1	36	409 2017	Pin & Socket (6 Cir.)	1	1
3	410 1004	Headlight Switch	1	1	37	409 2005	Pin Connector (2 Cir.)	1	1
4	414 0251	Headlight Switch Knob	1	1	38	409 2006	Socket Connector (2 Cir.)	1	1
5	414 0345	Knob Decal	1	1	39	409 2003	Pin Connector (1 Cir.)	1	1
6	581 3016	Harness Assembly	1		40	409 2004	Socket Connector (1 Cir.)	1	1
6	581 3017	Harness Assembly		1	41	409 2010	Tab	2	2
7	410 9033	Ignition Switch Block	1	1	42	409 2014	Receptacle	8	8
8	410 9035	Headlight Switch Block	1	1	43	409 2009	Receptacle 14 Ga.	3	3
9	410 9034	Rectifier Block	1	1	44	409 0004	Socket Contactor	8	8
10	410 9032	Rectifier w/fuse	1	1	45	409 0005	Pin Contactor	4	4
11	389 8010	Speed Nut	2	2	46	515 0102	Wire Clamp	1	1
12	320 0061	Machine Screw	2	2	47	409 0019	Open Barrel	2	2
13	387 3013	Nut	2	2	48	409 0020	Open Barrel	1	1
14	410 9038	Fuse Holder	1	1	49	570 1505	Protection Cap	1	1
15	410 6010	Projector	1	1	50	409 6018	Wire Red 16 Ga. (Mult. 12")	-	-
16	410 5009	Bulb (35 W.)	1	1	51	409 6020	Wire Brown 16 Ga. (Mult. 12")	-	-
17	414 0280	Label (35 W.)	1	1				-	-
18	580 4008	Tail Lamp Assembly	1	1	52	409 6021	Wire Black 16 Ga. (Mult. 12")	-	-
19	410 9019	Tail Lamp Lens	1	1				-	-
20	410 5006	Bulb	2	2	53	409 6022	Wire Yellow 16 Ga. (Mult. 12")	-	-
21	320 1061	Machine Screw	2	2				-	-
22	387 3013	Nut	2	2	54	409 6019	Wire Yellow & Red 16 Ga. (Mult. 12")	-	-
23	517 0096	Clip	2	2				-	-
24	391 0021	Flat Washer	1	1	55	409 6025	Wire Red 14 Ga. (Mult. 12")	-	-
25	410 3002	Battery 12V.	1	1	56	109 5022	Wire Green 14 Ga. (Mult. 12")	-	-
26	515 0156	Battery Retaining Cover	1	1				-	-
27	515 0096	Rod	2	2	57	414 0351	Wire (Lighter)	1	
28	386 3019	Wing Nut	2	2	57	414 0352	Wire (Lighter)		1
29	409 6006	Ground Wire	1	1	58	414 0350	Lighter Ass'y	1	1
30	323 2102	Machine Screw	1	1	59	670 1701	Grommet	1	1
31	386 6019	Nut	1	1	60	410 9016	Grommet	1	1
32	409 6026	Current Wire	1	1	-	410 3003	Acid Container	-	-
33	410 3004	Battery Cap	6	6	-	410 9041	Fuse 5 Amp. 35 Volts	2	2
34	360 5020	Bolt (N)	1	1	-	410 9023	Fuse 9 Amp. 35 Volts	1	1
34	360 5050	Bolt (P)	1	1	-	099 0004	Vinyl Tape	-	-
35	386 4019	Wing Nut (N)	1	1					

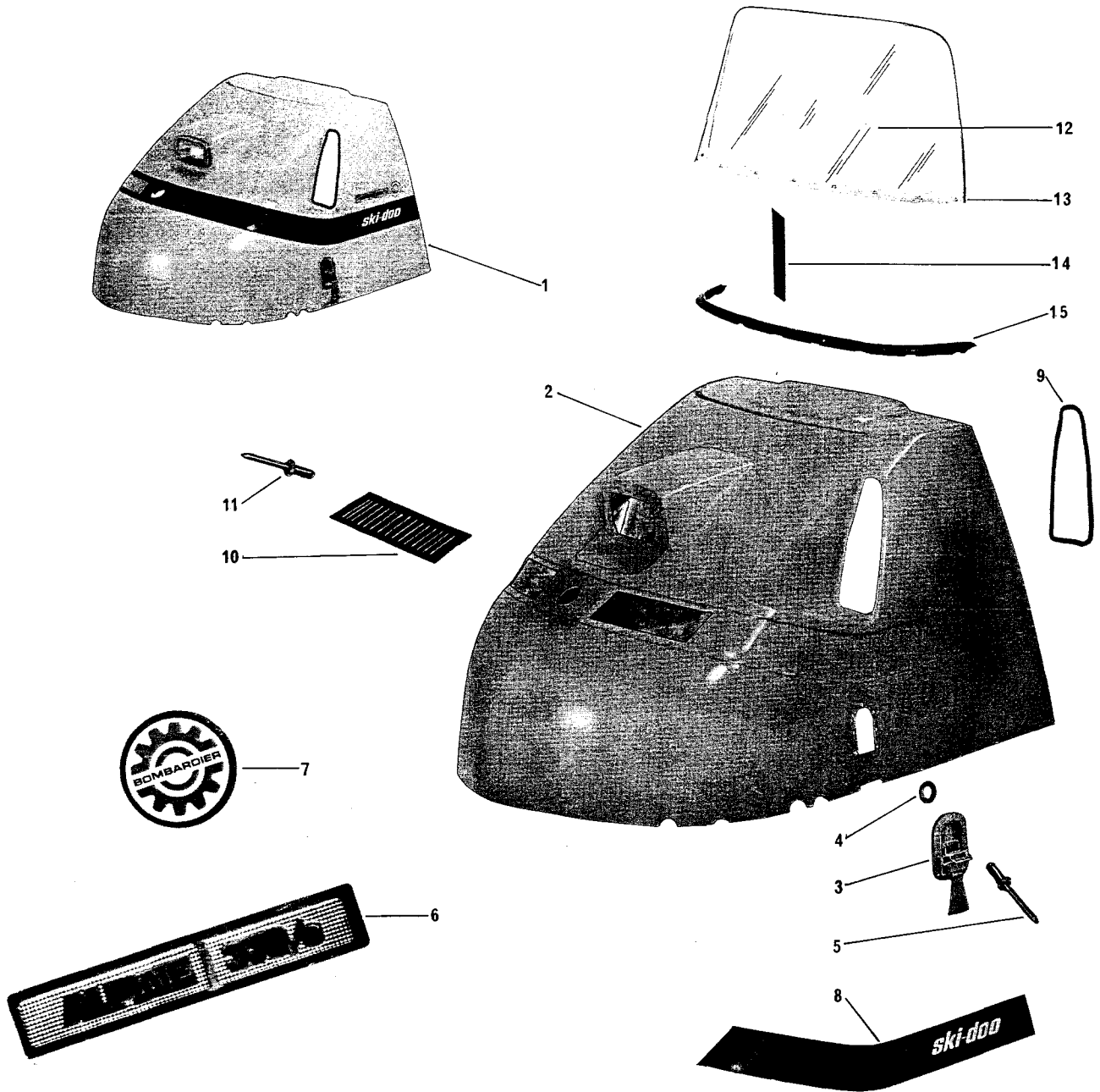
FRAME

BODY

CHASSIS



ITEM NO.	PART NO.	DESCRIPTION	QUANTITY			ITEM NO.	PART NO.	DESCRIPTION	QUANTITY		
			370	370E	640E				370	370E	640E
1	571 1762	Front Bottom Plate	1	1	1	13	570 1711	Rubber Washer	3	3	3
2	414 0188	Plastic Sealer (Mult. 12")	-	-	-	14	517 0143	Pulley Guard	1	1	1
3	517 0054	Plate Seal	1	1	1	15	386 0022	Wing Nut	3	3	3
4	414 0038	Body Moulding	1	1	1	16	517 0172	Foot Pad	2	2	2
5	390 4004	Pop Rivet	14	14	14	17	517 0087	Hitch Plate	1	1	1
6	390 2002	Tubular Rivet	10	10	10	18	517 0097	Pin	1	1	1
6	390 2001	Tubular Rivet	20	20	20	19	371 8002	Cotter Pin	1	1	1
7	517 0161	Ski Holder	1	1	1	20	518 0133	Jack	1	1	1
8	327 5106	Machine Screw	4	4	4	21	570 1728	End Cap	2	2	2
9	391 0021	Flat Washer	4	4	4		414 0066	Epoxy Glue	-	-	-
10	386 6019	Nut	4	4	4	22	518 0084	Pulley Guard Holder	1	1	1
11	300 3041	Bolt	2	2	2	23	300 0004	Bolt	1	1	1
12	386 6022	Nut	2	2	2	24	386 6019	Nut	1	1	1

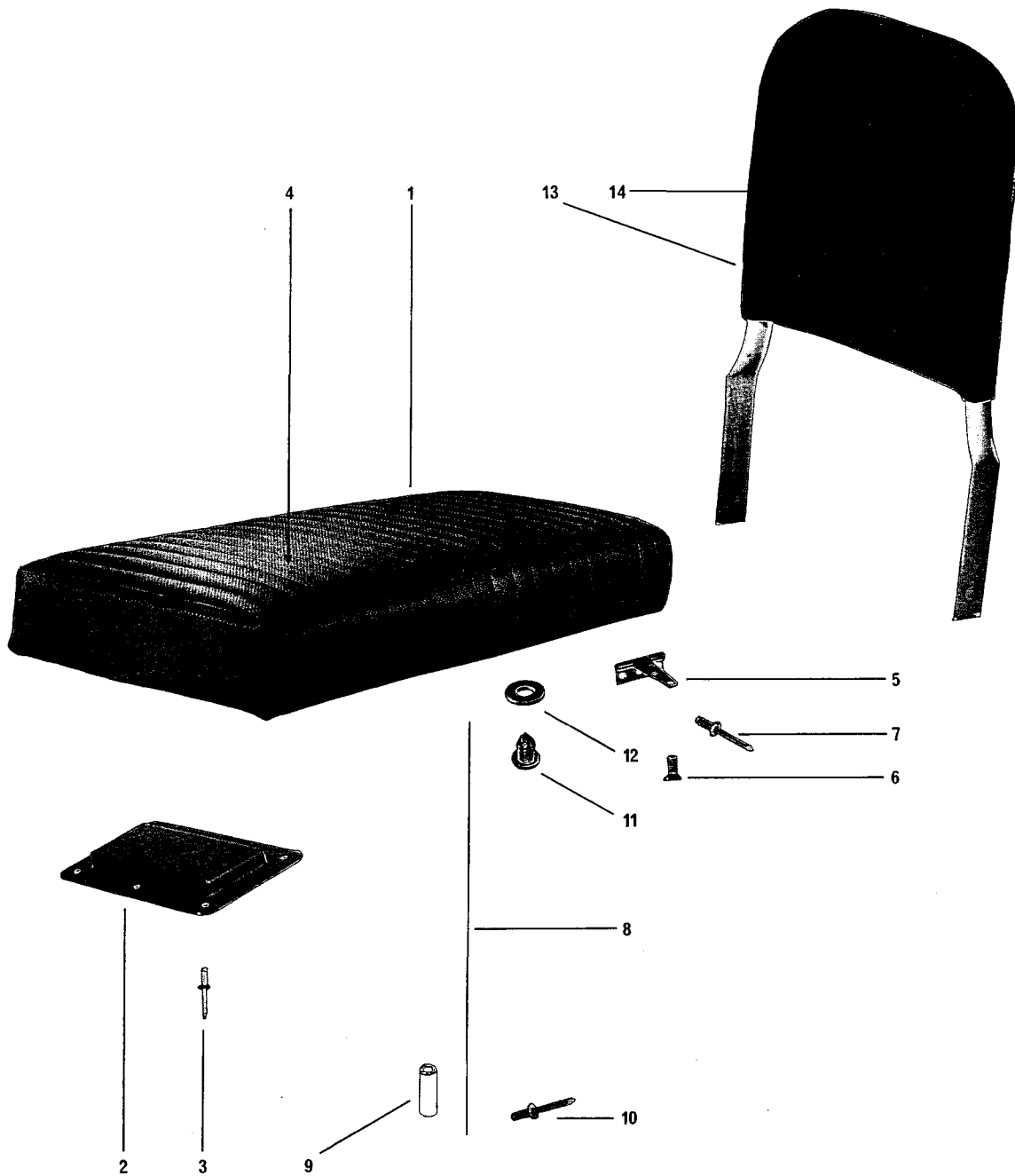


ITEM NO.	PART NO.	DESCRIPTION	QUANTITY			ITEM NO.	PART NO.	DESCRIPTION	QUANTITY		
			370	370E	640E				370	370E	640E
1	580 3012	Cab ass'y.	1			8	414 0259	R.H. Stripe	1	1	1
1	580 3032	Cab ass'y.		1		8	414 0260	L.H. Stripe	1	1	1
1	580 3037	Cab ass'y.			1	9	570 1731	L.H. scoop ring	1	1	1
2	571 1750	Cab bonding	1	1	1	9	570 1740	R.H. scoop ring	1	1	1
3	414 0062	Hood catch	2	2	2	10	414 0283	R.H. louvre	1	1	1
4	399 9003	Flat washer	14	14	14	10	414 0284	L.H. louvre	1	1	1
5	390 4001	Pop rivet	14	14	14	11	390 4007	Pop rivet	12	12	12
6	414 0238	Identification label	2			12	414 0254	Windshield	1	1	1
6	414 0239	Identification label		2		13	570 1720	Windshield anchor strip	1	1	1
6	414 0240	Identification label			2	14	517 0142	Windshield anchor tab	9	9	9
7	414 0248	Bombardier crest	2	2	2	15	414 0255	Moulding (Mult. 12'')	-	-	-

SEAT

BODY

SIEGE



ITEM NO.	PART NO.	DESCRIPTION	QUANTITY			ITEM NO.	PART NO.	DESCRIPTION	QUANTITY		
			370	370E	640E				370	370E	640E
1	580 3027	Seat ass'y.	1	1	1	8	414 0385	Seat cable (Mult. 12'')	-	-	-
2	571 1724	Offset cover	1	1	1	9	409 0012	Parallele connector	2	2	2
3	390 4012	Pop rivet	6	6	6	10	390 4013	Pop rivet	1	1	1
4	414 0339	Leatherette	1	1	1	11	320 0061	Machine screw	1	1	1
5	414 0151	Hinge	2	2	2	12	391 0017	Flat washer	1	1	1
6	324 1060	Machine screw	6	6	6	13	580 3026	Padded backrest ass'y.	1	1	1
7	390 4011	Pop rivet	6	6	6	14	414 0338	Leatherette	1	1	1