

BOMBARDIER

ski-doo

PARTS MANUAL



1968 ALL MODELS

OLYMPIC, SUPER OLYMPIC, ALPINE, SUPER ALPINE

BOMBARDIER LTD.

VALCOURT, QUEBEC, CANADA

Bombardier
ski-doo 1968
the light-footed snowmobile

OLYMPIQUE 250 cc

SUPER-OLYMPIQUE 300 cc

SUPER-OLYMPIQUE E. 300 cc

SUPER 370 370 cc

BOMBARDIER LTD.

VALCOURT, QUEBEC, CANADA

Bombardier
ski-doo 1968
the light-footed snowmobile

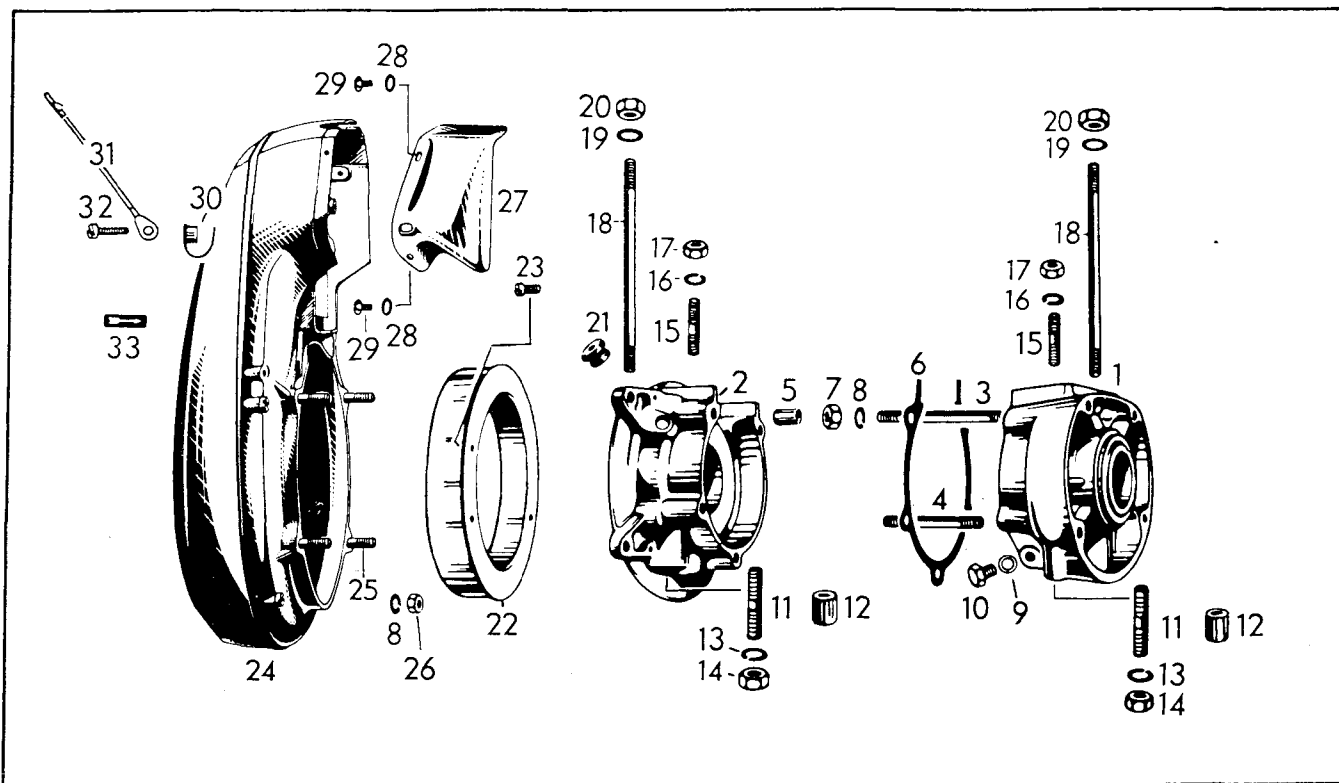
OLYMPIQUE 250 cc

SUPER-OLYMPIQUE 300 cc

SUPER-OLYMPIQUE E. 300 cc

SUPER 370 370 cc

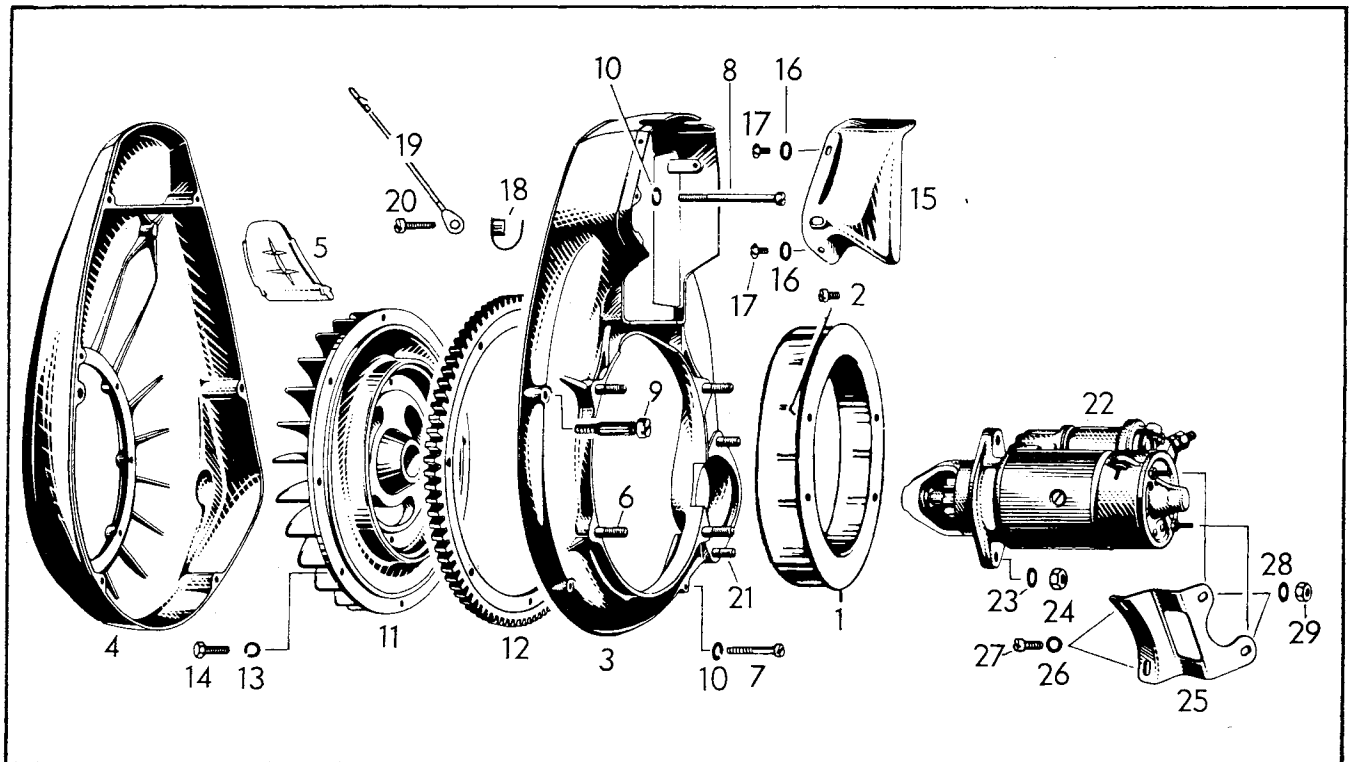
CRANKCASE



ITEM NO.	PART NO.	DESCRIPTION	QUANTITY			ITEM NO.	PART NO.	DESCRIPTION	QUANTITY		
			250	300	300E				250	300	300E
1,2,3,4,5	402 0005	Crankcase ass'y	1	1	-	18	402 0076	Stud M8 x 171	-	4	4
1,2,3,4,5	402 0090	Crankcase ass'y	-	-	1	19	402 0031	Washer	-	4	4
3	402 0007	Stud M8 x 56	2	2	2	20	402 0018	Hex. nut M8	-	4	4
4	402 0009	Stud M8 x 46	3	3	3	21	402 0028	Rubber grommet, ignition cable	1	1	1
5	402 1015	Dowel tube	2	2	2	22	402 0141	Plastic labyrinth ring	1	1	-
6	402 0014	Gasket, crankcase	1	1	1	23	402 0040	Cyl. screw M6 x 10	4	4	-
7	402 0018	Hex. nut M8	5	5	5	24,25	402 0044	Fan cowl ass'y	1	-	-
8	402 0016	Lock washer M8	9	9	9	24,25	402 0095	Fan cowl ass'y	-	1	-
9	402 0019	Sealing ring	1	1	1	25	402 2002	Stud M8 x 24	4	4	-
10	402 0020	Hex. screw M8 x 9, oil drain	1	1	1	26	402 0018	Hex. nut M8	4	4	4
11	402 0023	Stud M10 x 39	4	4	4	27	402 0094	Air deflector	-	1	-
12	402 0091	Distance sleeve	4	4	4	28	402 3037	Washer	-	2	-
13	402 0025	Lockwasher 10	4	4	4	29	402 5045	Flat Headed screw M5 x 8	-	2	-
14	402 0026	Hex. nut M10	4	4	4	30	402 0061	Plastic cable clamp	1	1	-
15	402 0030	Stud M8 x 21,5	4	-	-	31	402 0080	Mass cable with contact pin	1	1	-
16	402 0016	Lock washer 8	4	-	-	32	402 0057	Cyl. screw M3 x 15	1	1	-
17	402 0018	Hex. nut M8	4	-	-	33	402 0092	Direction plate	1	1	1

BOMBARDIER LTD.

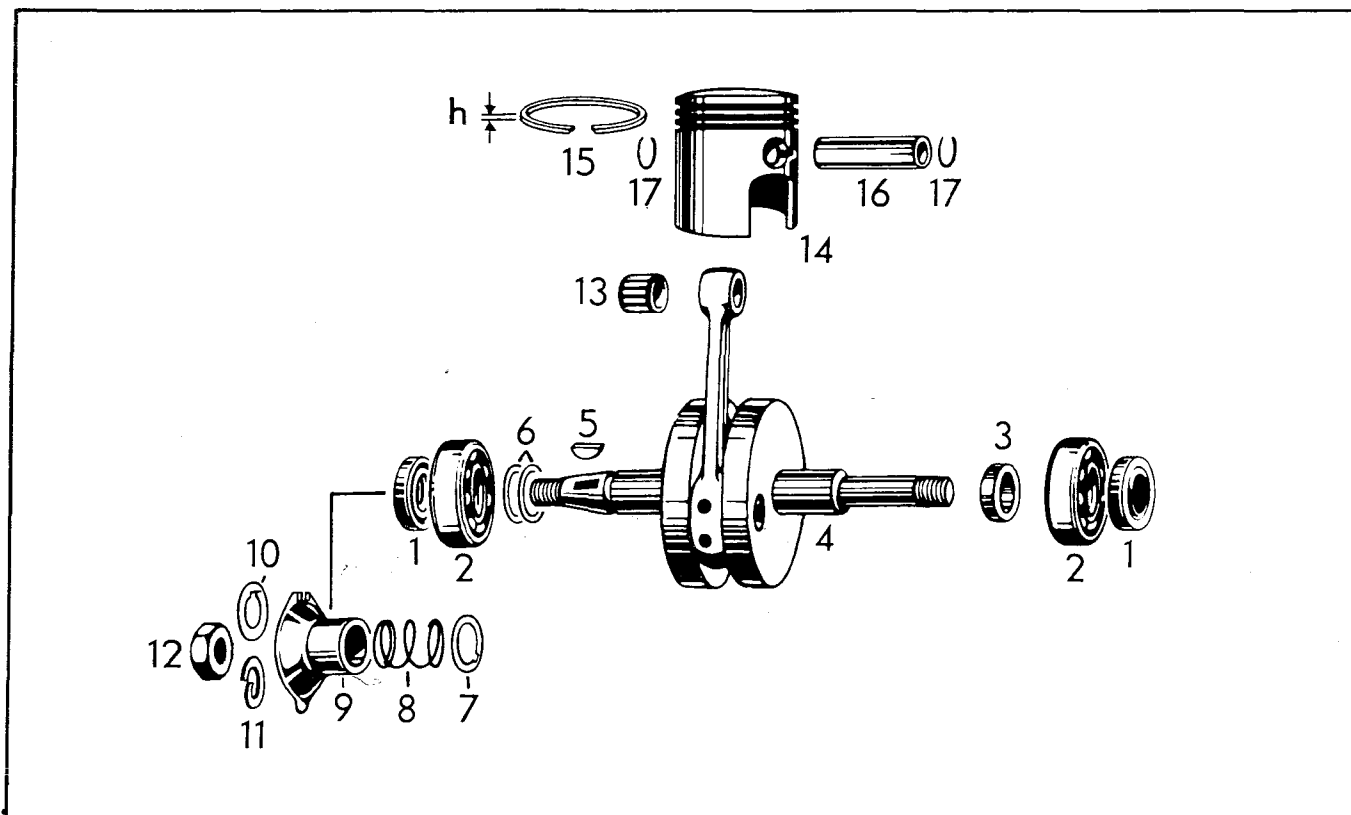
ELECTRIC STARTER - FAN - COWL - FAN



ITEM NO.	PART NO.	DESCRIPTION	QUANTITY 300E	ITEM NO.	PART NO.	DESCRIPTION	QUANTITY 300E
1	402 0096	Plastic labyrinth ring	1	16	402 0093	Washer	2
2	402 0040	Cyl. screw M6 x 10	4	17	402 0056	Flat headed screw M5 x 6	2
3-10	402 0097	Fan cowl ass'y	1	18	402 0061	Plastic cable clamp	1
3	402 0098	Fan cowl	1	19	402 0080	Mass cable with contact pin	1
4	402 0099	Cover, fan cowl	1	20	402 0057	Cyl. screw M3 x 15	1
5	402 0100	Plastic baffle	1	21	402 2003	Stud M8 x 18	2
6	402 2002	Stud M8 x 24	4	22	402 4005	Electric starter	1
7	402 0069	Cyl. screw M6 x 28	3	23	402 0016	Lock washer 8	2
8	402 0101	Cyl. screw M6 x 73	1	24	402 2041	Hex. nut M8	2
9	402 0070	Cyl. fit bolt M6	2	25	402 0103	Starter bracket	1
10	402 0015	Lock washer 6	4	26	402 0104	Washer	2
11	402 0102	Fan ass'y	1	27	402 4028	Cyl. screw, starter bracket, on crankcase	2
12	402 4011	Gear wheel 101 t.	1	28	402 4022	Washer	2
13	402 0015	Lock washer 6	8	29	402 0105	Lock nut M5	2
14	402 5012	Hex. screw M6 x 15	8				
15	402 0094	Air deflector	1				

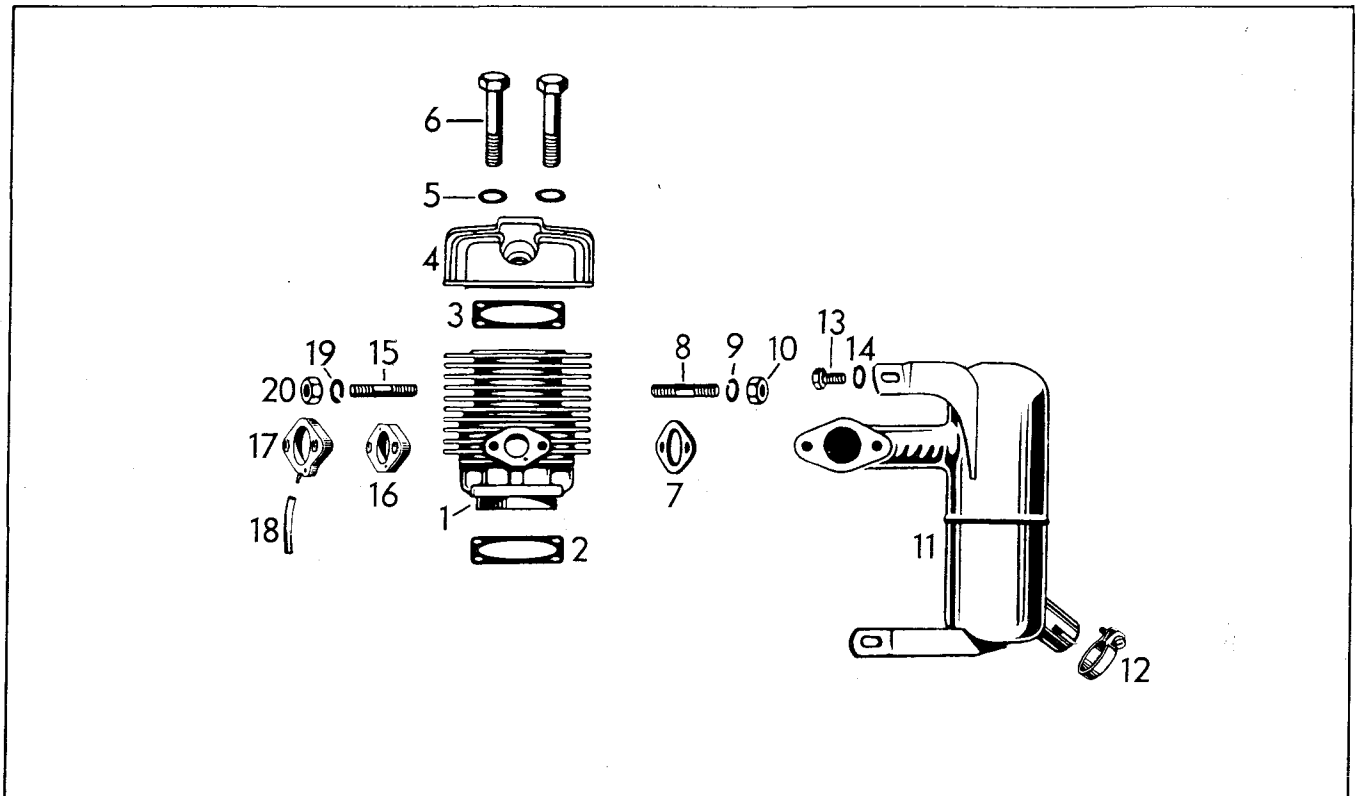
BOMBARDIER LTD.

CRANKSHAFT - PISTON



ITEM NO.	PART NO.	DESCRIPTION	QUANTITY			ITEM NO.	PART NO.	DESCRIPTION	QUANTITY			
			250	300	300E				250	300	300E	
1	402 1002	Oil seal	2	2	2	14,15	402 1090	Dto., 71,0Ø, 4th oversize	1	-	-	
2	402 1005	Deep groove ball bearing	2	2	2	14,15	402 1057	Piston with 3 rings, 76,0Ø, std.	-	1	1	
3	402 1012	Distance sleeve	1	1	1		402 1058	Dto., 76,5Ø, 1st oversize	-	1	1	
4	402 1030	Crankshaft ass'y	1	1	1		402 1091	Dto., 77,0Ø, 2nd oversize	-	1	1	
5	402 1010	Key 5 x 6,5mm	1	1	1		402 1079	Piston ring 69,0Ø, std.	3	-	-	
6	402 1023	Shim 0,2mm	as required			15	402 1075	Dto., 69,5Ø, 1st oversize h = .100 in.	3	-	-	
	402 1024	Shim 0,3mm	as required				402 1076	Dto., 70,0Ø, 2nd oversize h = .100 in.	3	-	-	
	402 1025	Shim 0,5mm	as required				402 1077	Dto., 70,5Ø, 3rd oversize h = .100 in.	3	-	-	
	402 1026	Shim 1,0mm	as required				402 1078	Dto., 71,0Ø, 4th oversize h = .100 in.	3	-	-	
7	402 1035	Washer, cam spring	1	1	1		402 1092	Piston ring 76,0Ø, std.	-	3	3	
8	402 1036	Spring, breaker cam	1	1	1		402 1093	Piston ring 76,5Ø, 1st oversize - h = .080 in.	-	3	3	
9	402 1127	Breaker cam	1	1	1		402 1094	Piston ring 77,0Ø, 2nd oversize - h = .080 in.	-	3	3	
10	402 1040	Lock washer, engine without elec. starter	1	1	-		16	402 1062	Piston pin	1	-	-
11	402 1095	Lock washer, engine with elec. starter	-	-	1	15	402 1064	Piston pin	-	1	1	
12	402 1043	Hex. nut M18 x 1,5	1	1	1		17	402 1067	Circlip, piston pin	2	2	2
13	402 1033	Needle cage, piston pin	1	1	1							
14,15	402 1054	Piston with 3 rings, 69,0Ø, std.	1	-	-							
	402 1050	Dto., 69,5Ø, 1st oversize	1	-	-							
	402 1089	Dto., 70,0Ø, 2nd oversize	1	-	-							
	402 1052	Dto., 70,5Ø, 3rd oversize	1	-	-							

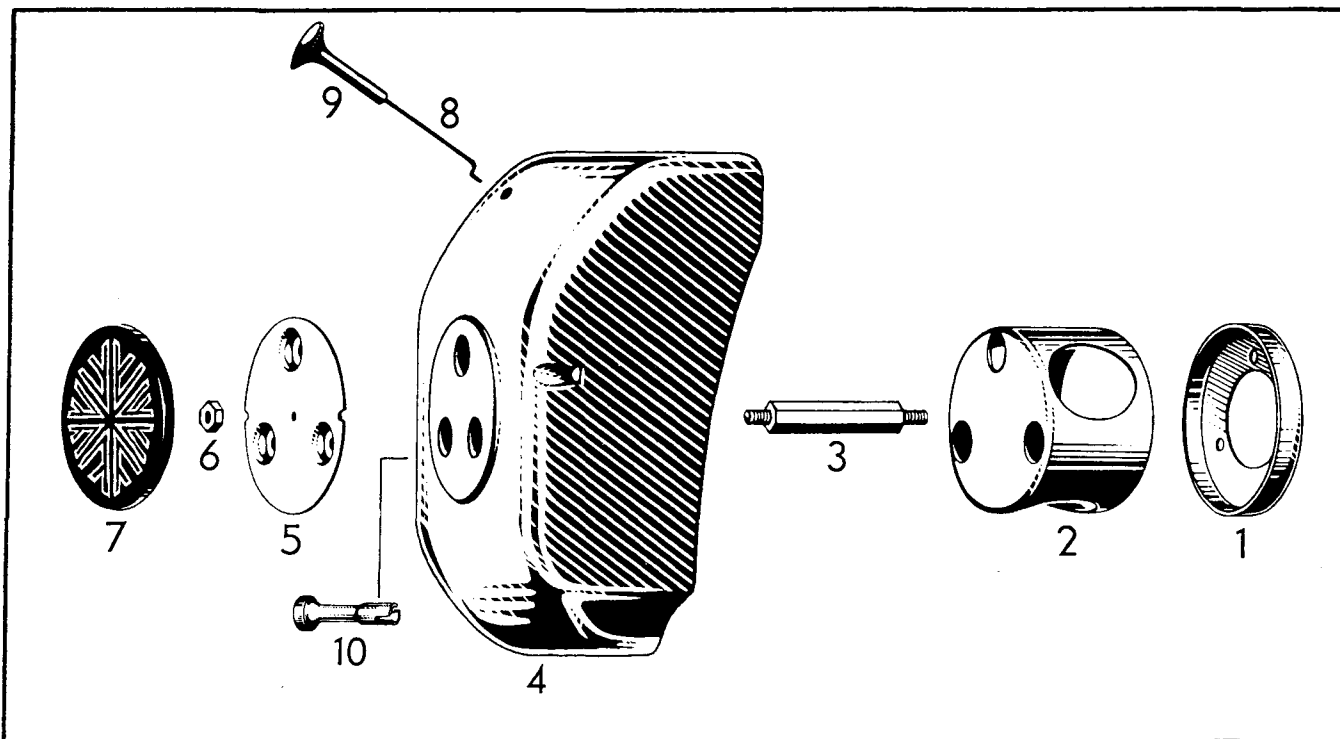
CYLINDER - MUFFLER



ITEM NO.	PART NO.	DESCRIPTION	QUANTITY		ITEM NO.	PART NO.	DESCRIPTION	QUANTITY	
			250	300 300E				250	300 300E
1	402 2052	Cylinder	1	-	11	402 2063	Muffler ass'y	-	1
1	402 2014	Cylinder	-	1	12	402 2049	Clamp, exhaust pipe	1	1
2	402 2006	Gasket, cylinder flange	1	-	13	402 2001	Hex. screw M8 x 18	1	1
2	402 2008	Gasket, cylinder flange	-	1	14	402 0031	Washer 8.4/17/2	1	1
3	402 2031	Gasket, cylinder head	-	1	15	402 2022	Stud M6 x 21	2	-
4	402 2028	Cylinder head	1	-	15	402 2002	Stud M8 x 24	-	2
4	402 2069	Cylinder head	-	1	16	402 2054	Isolating flange	1	-
5	402 2034	Washer 10.5/17/2	4	-	17	402 2070	Isolating flange	-	1
6	402 2035	Hex. screw M10 x 42	4	-	18	402 2071	Plastic tube 130mm	-	1
7	402 2043	Gasket, muffler	1	1	19	402 0015	Lock washer 6	2	-
8	402 2037	Stud M8 x 19.5	2	2	19	402 2072	Isolating washer	-	2
9	402 0016	Lock washer 8	2	2	20	402 2053	Hex. nut M6	2	-
10	402 0018	Hex. nut M8	2	2	20	402 0018	Hex. nut M8	-	2
11	402 2062	Muffler ass'y	1	-					

BOMBARDIER LTD.

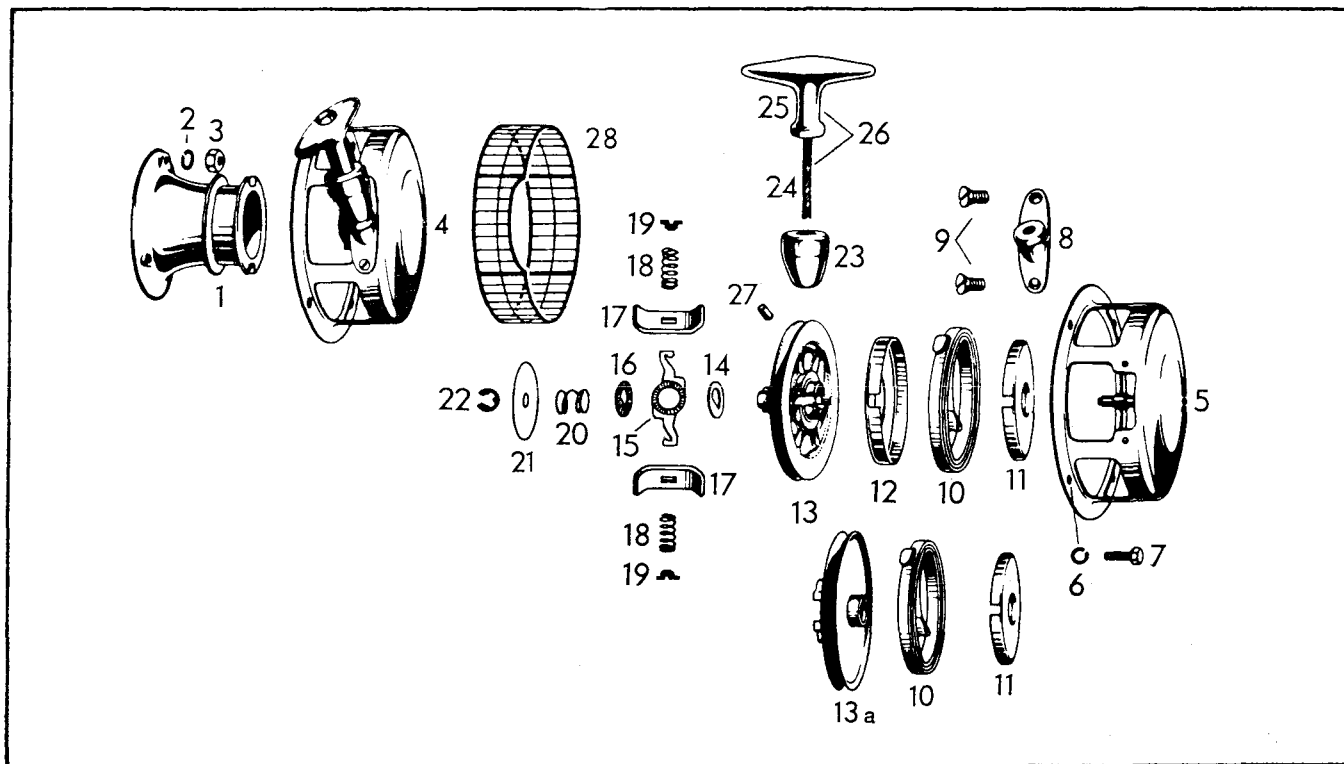
INTAKE - SILENCER



ITEM NO.	PART NO.	DESCRIPTION	QUANTITY		ITEM NO.	PART NO.	DESCRIPTION	QUANTITY	
			250	300 300E				250	300 300E
1	402 3001	Silencer bottom	1	-	5	402 3016	Retaining disk	-	1
1	402 3004	Silencer bottom	-	1	6	386 6013	Lock nut	2	-
2	402 3005	Silencer socket	1	-	6	386 6119	Lock nut	-	3
2	402 3033	Silencer socket	-	1	7	402 3034	Silencer cover	1	-
3	512 0019	Collar stud	2	-	7	402 3035	Silencer cover	-	1
3	402 3019	Collar stud	-	3	8	402 3021	Choker rod	1	-
4	402 3010	Intake silencer ass'y	1	-	8	402 3023	Choker rod	-	1
4	402 3012	Intake silencer ass'y	-	1	9	402 3020	Choker button	1	1
5	402 3013	Retaining disk	1	-	10	402 8032	Jet wrench	1	1

BOMBARDIER LTD.

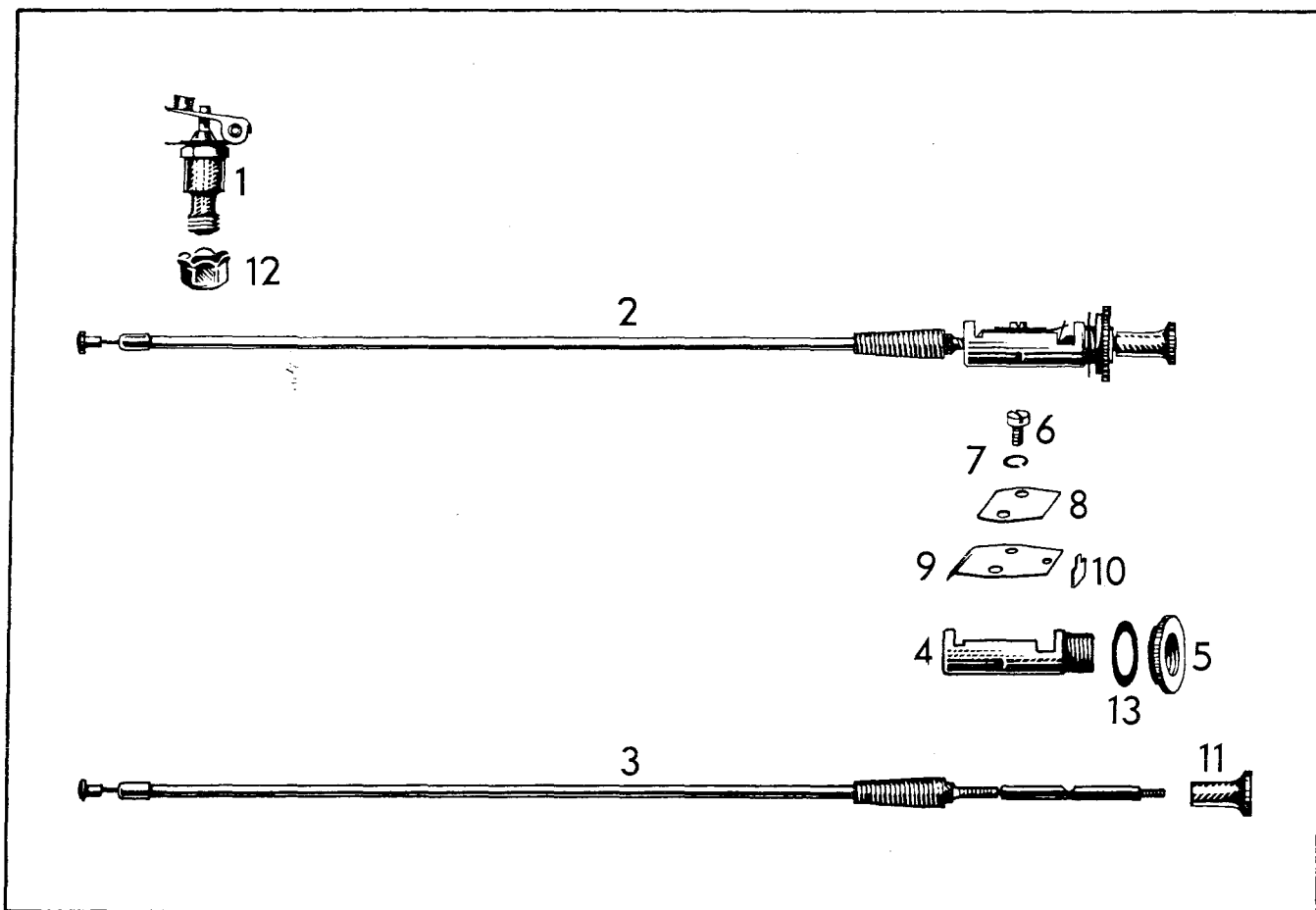
REWIND STARTER



ITEM NO.	PART NO.	DESCRIPTION	QUANTITY			ITEM NO.	PART NO.	DESCRIPTION	QUANTITY		
			250	300	300E				250	300	300E
1	402 5003	Starting pulley	1			14	402 5026	D-washer	1		
2	402 0015	Lock washer 6	3			15	402 5028	Pivot arm	1		
3	402 2053	Hex. nut M6	3			16	402 5027	Friction washer	1		
4	402 5005	Rewind starter ass'y	1			17	402 5029	Pawl	2		
5	402 5035	Starter housing	1			18	402 5030	Pawl spring	2		
6	402 0015	Lock washer 6	4			19	402 5031	Pawl spring stop	2		
7	402 5011	Hex. screw M6 x 15	4			20	402 5032	Friction spring	1		
8	402 5036	Starter stop	1			21	402 5033	Washer	1		
9	402 5037	Countersunk screw M5 x 8	2			22	402 5034	Circlip	1		
10,11	402 5023	Spring cartridge	1			23	402 5039	Rubber buffer	1		
12						24	402 5018	Starter rope 1200mm	1		
10	402 5022	Rewind spring	1			25	402 5019	Starter grip	1		
11	402 5038	Spring guide	1			26	402 5017	Starter rope with grip	1		
12	402 5044	Cover, spring guide	1			27	402 5016	Bolt, starter rope	1		
13	265 2003	Rope Sheave	1			28	402 5042	Plastic protection sleeve	1		
13A	265 2003	Rope sheave, with spring cartridge	1								

BOMBARDIER LTD.

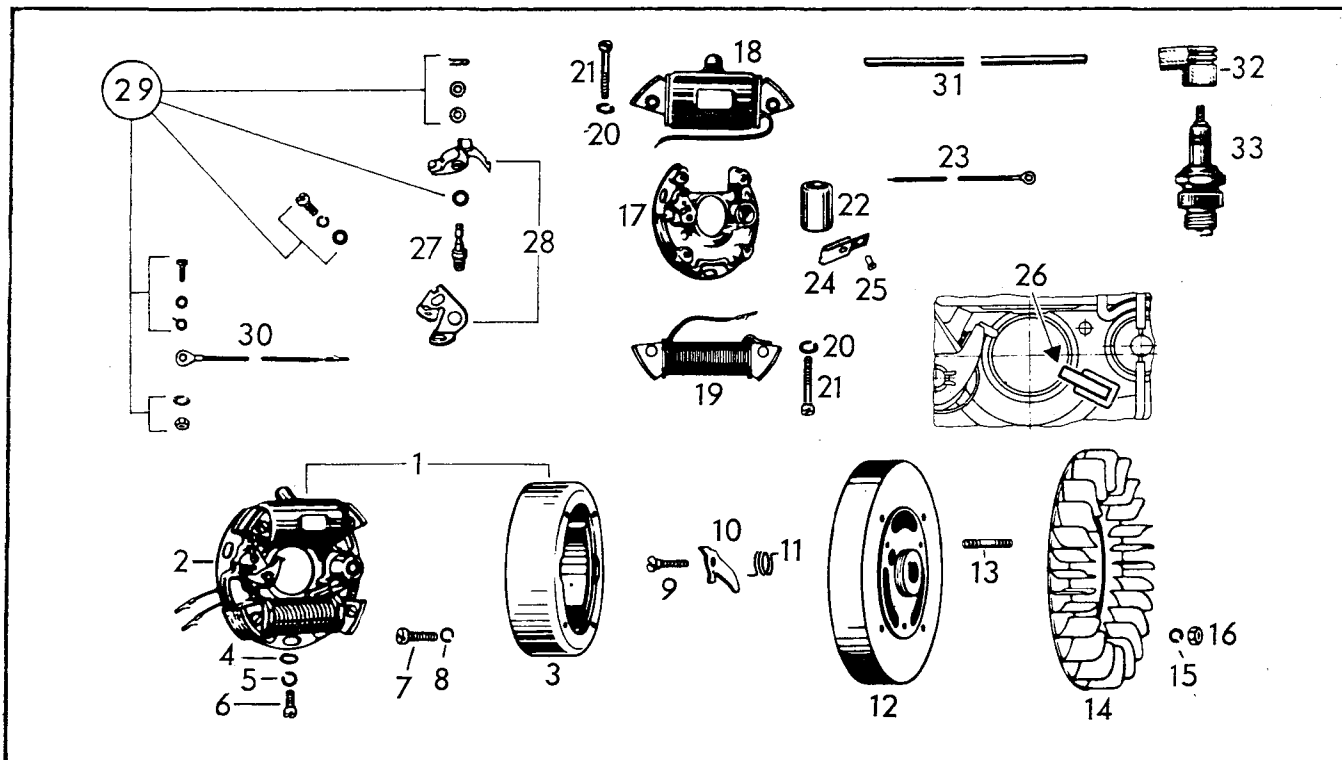
DECOMPRESSOR



ITEM NO.	PART NO.	DESCRIPTION	QUANTITY				
			250	300	300E		
1	402 6004	Decompressor valve	1				
2	402 6003	Decompressor switch ass'y with cable 320/372mm	1				
3	402 6006	Switch bolt with cable 320/372mm	1				
4,5,13	402 6005	Switch housing with washer and nut	1				
5	402 6014	Knurled nut M16 x 1	1				
				6	402 6011	Cyl. screw M4 x 7	2
				7	402 4023	Lock washer 4	2
				8	402 6010	Reinforcement spring	2
				9	402 6008	Switch spring	1
				10	402 6009	Lock spring	1
				11	402 6007	Switch button	1
				12	402 6015	Locking and sealing sleeve	1
				13	402 6016	Washer 16.3/25.8/1	1

BOMBARDIER LTD.

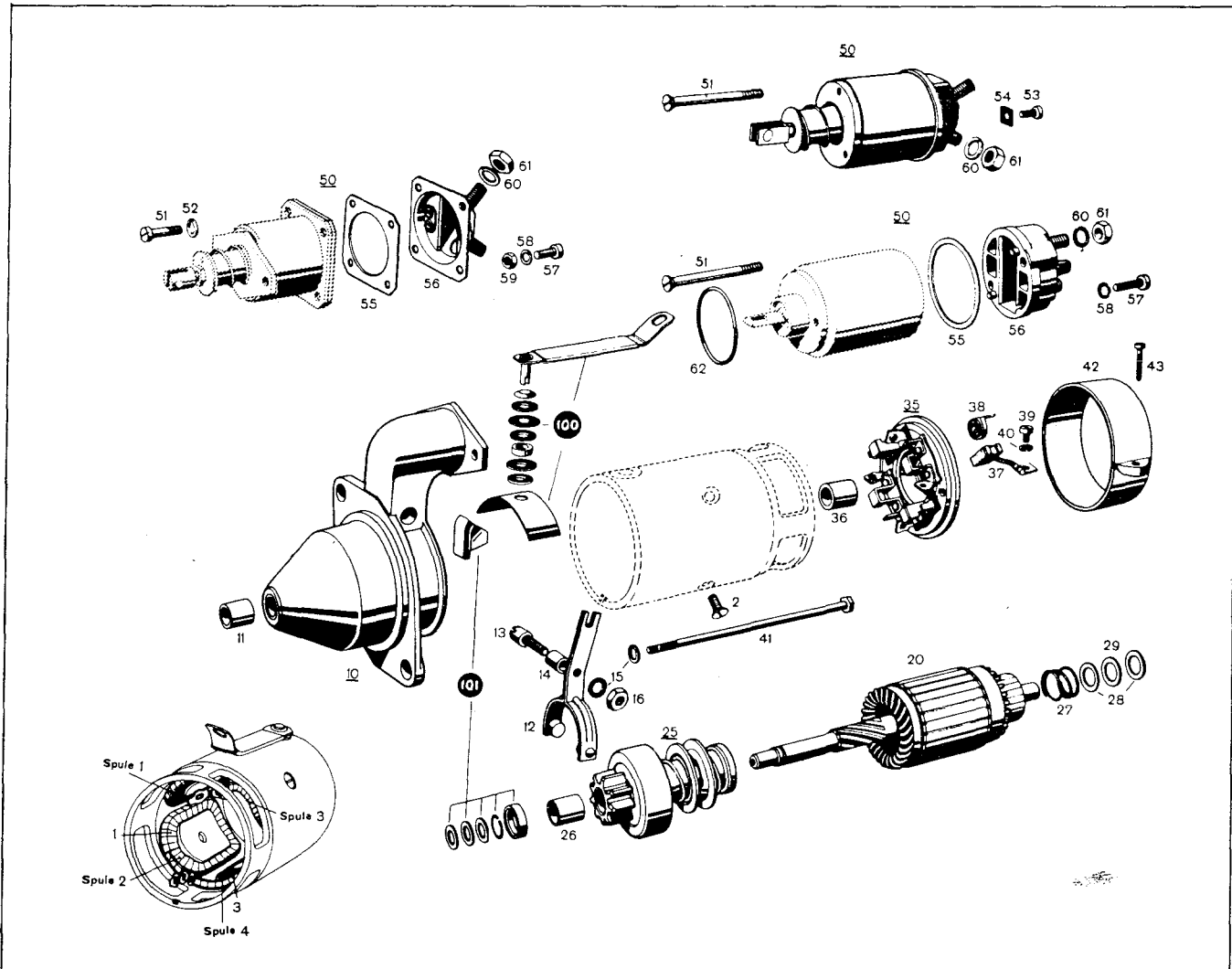
IGNITION



ITEM NO.	PART NO.	DESCRIPTION	QUANTITY			ITEM NO.	PART NO.	DESCRIPTION	QUANTITY		
			250	300	300E				250	300	300E
1	402 4003	Flywheel dynamo magneto ass'y	1	1	-	15	402 0015	Lock washer 6	4	4	-
1	402 4102	Flywheel dynamo magneto ass'y	-	-	1	16	402 2053	Hex. nut M6	4	4	-
2	402 4016	Armature plate ass'y	1	1	-	17	402 4037	Armature plate alone	1	1	1
2	402 4103	Armature plate ass'y	-	-	1	18	402 4040	Ignition coil	1	1	1
3	402 4019	Magneto ring	1	1	-	19	402 4084	Lighting coil with cables and contact pins	1	1	1
3	402 4104	Magneto ring	-	-	1	20	402 4024	Lock washer	4	4	4
4	402 4022	Washer	3	3	3	21	402 4048	Cyl. screw M5 x 28	4	4	4
5	402 4024	Lock washer 5	3	3	3	22	402 4068	Condenser	1	1	1
6	402 4026	Cyl. screw M5 x 15	3	3	3	23	402 4070	Cable condenser	1	1	1
7	402 4027	Cyl. screw M6 x 22, flywheel	4	4	-	24	402 4071	Lubricating wick (to be riveted)	1	1	1
7	402 4028	Cyl. screw M6 x 15, flywheel	-	-	4	25	402 4072	Rivet, lubricating wick	1	1	1
8	402 0015	Lock washer 6	4	4	4	26	402 4116	Rivet, lubricating wick	1	1	1
9-12	402 4105	Magneto housing ass'y	1	1	-	27	402 4049	Pivot pin, contact breaker	1	1	1
9	402 4094	Screw, bearing centrifugal weight	1	1	1	28	402 4050	Contact & breaker points set	1	1	1
10	402 4093	Centrifugal weight	1	1	1	29	402 7016	Parts set	1	1	1
11	402 4096	Spring, centrifugal wght.	1	1	1	30	402 4062	Shorting cable 380mm with contact pin	1	1	1
12	402 4032	Magneto housing	1	1	-	31	402 4074	Ignition cable 390mm	1	-	-
13	402 4089	Stud M6 x 15, starting pulley	2	2	2	31	402 4106	Ignition cable 480mm	-	1	1
14	402 4034	Fan	1	1	-	32	402 4076	Spark plug protector	1	1	1
						33	402 4077	Spark plug BOSXH M225 T1	1	-	-
						33	402 4079	Spark plug BOSCH M240 T1	-	1	1

BOMBARDIER LTD.

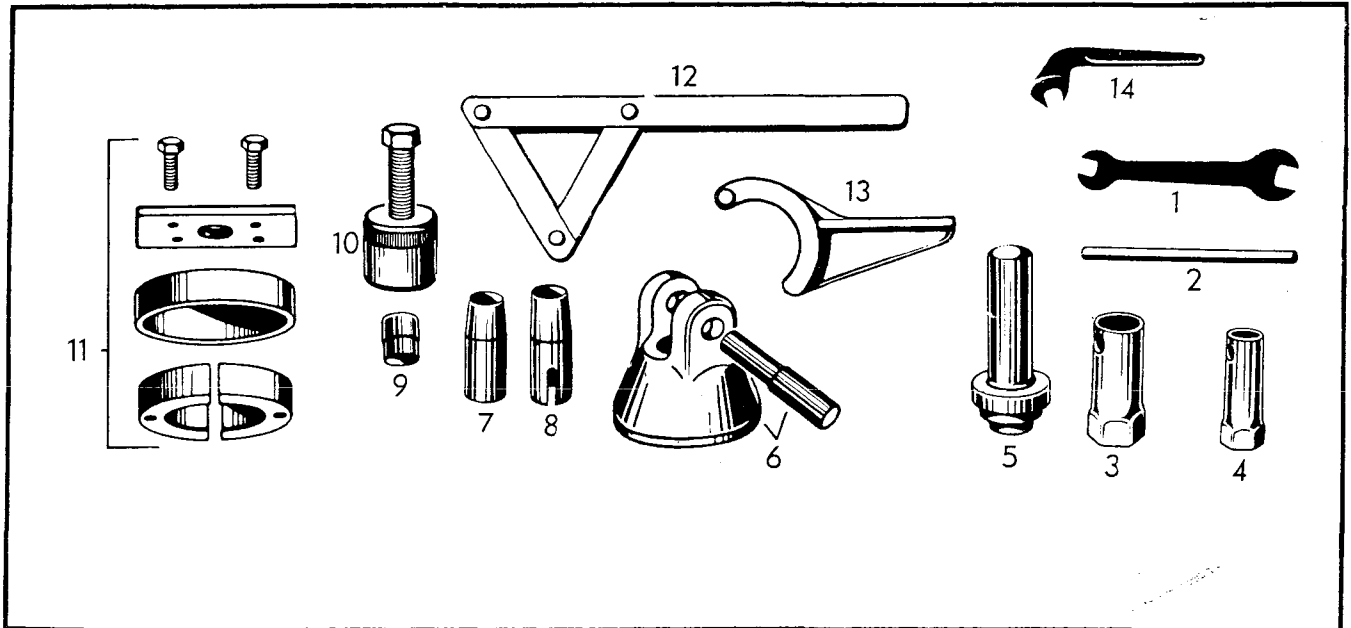
ELECTRIC STARTER - SPARE PARTS



ITEM NO.	PART NO.	DESCRIPTION	QUANTITY 300E	ITEM NO.	PART NO.	DESCRIPTION	QUANTITY 300E
1	402 7052	Field winding coils 1 & 2	1	35	402 7034	Commutator end bracket ass'y (with parts ill. No. 36 to 40)	1
1	402 7053	Field winding coils 3 & 4	1	36	402 7023	Bearing bushing	1
2	402 7020	Countersunk screw M6 x 10	4	37	402 7035	Carbon brush set (4 pieces)	1
3	402 7051	Connecting rail	1	38	402 7031	Carbon brush spring	4
10	402 7050	Drive end bracket ass'y (with bearing bushing ill. No. 11)	1	39A	402 7036	Cyl. screw M4 x 8	1
11	402 7023	Bearing bushing	1	39B	402 7037	Cyl. screw M4 x 6	3
12	402 7025	Engaging lever	1	40	402 7016	Lock washer 4	4
13	402 7026	Screw M5	1	41	402 7048	Cyl. screw M5	2
14	402 7027	Bushing	1	42	402 7040	Closing band	1
15	402 4024	Lock washer 5	3	43	402 2158	Cyl. screw M4 x 20	1
16	402 7049	Hex. nut M5	1	50	402 7041	Relay ass'y (with parts ill. No. 53-59)	1
20	402 7056	Armature	1	51	402 7042	Countersunk screw M5 x 50	3
25	402 7029	Drive ass'y (with bearing bushing ill. No. 26)	1	53	402 7036	Cyl. screw M4 x 8, terminal 80	1
26	402 7024	Bearing bushing	1	54	402 7043	Plate, terminal 50	1
27	402 7030	Helical spring, armature brake	1	60	402 0016	Lock washer 8	1
28	402 7032	Washer 10.3/20/0.5mm, armature brake	2	61	402 7044	Hex. nut M8	1
29	402 7033	Isolating washer 10.3/16/1mm	1	100	402 7047	Parts set for terminal	1
				101	402 7046	Parts set for armature	1

BOMBARDIER LTD.

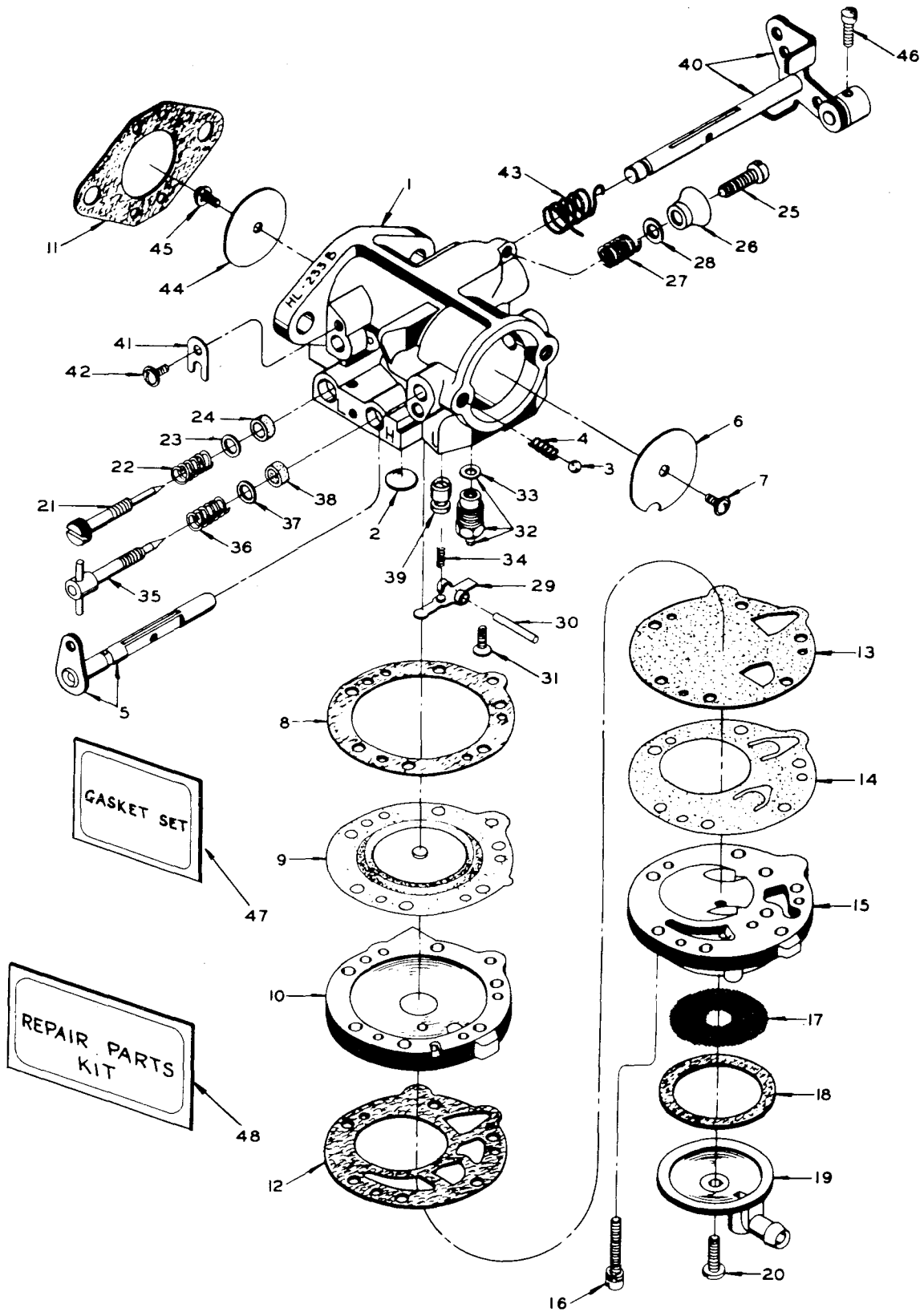
REPAIR TOOLS



ITEM NO.	PART NO.	DESCRIPTION	ITEM NO.	PART NO.	DESCRIPTION
1,2	402 8025	Standard tool set	7	402 8011	Sleeve for oil seal, p.t.o. side
3,4			8	402 8010	Sleeve for oil seal, magneto side
1	402 8023	Fork wrench 10/13mm	9	402 8007	Protection cap 18mm
2	402 8019	Pin 8 x 130mm, socket wrench	10	402 8004	Puller for flywheel
3	402 8022	Socket wrench, spark plug	11	402 8001	Puller for hearing P9
4	402 8024	Socket wrench 13mm	12	402 8008	Wrench to hold fan
5	402 8028	Stamp to mount oil seal	13	402 8038	Holder, crankshaft
6	402 8013	Holder with bolt, connecting rod	14	402 8042	One-end wrench 13mm

BOMBARDIER LTD.

CARBURETOR HL - 233B FOR 250 CC.



BOMBARDIER LTD.

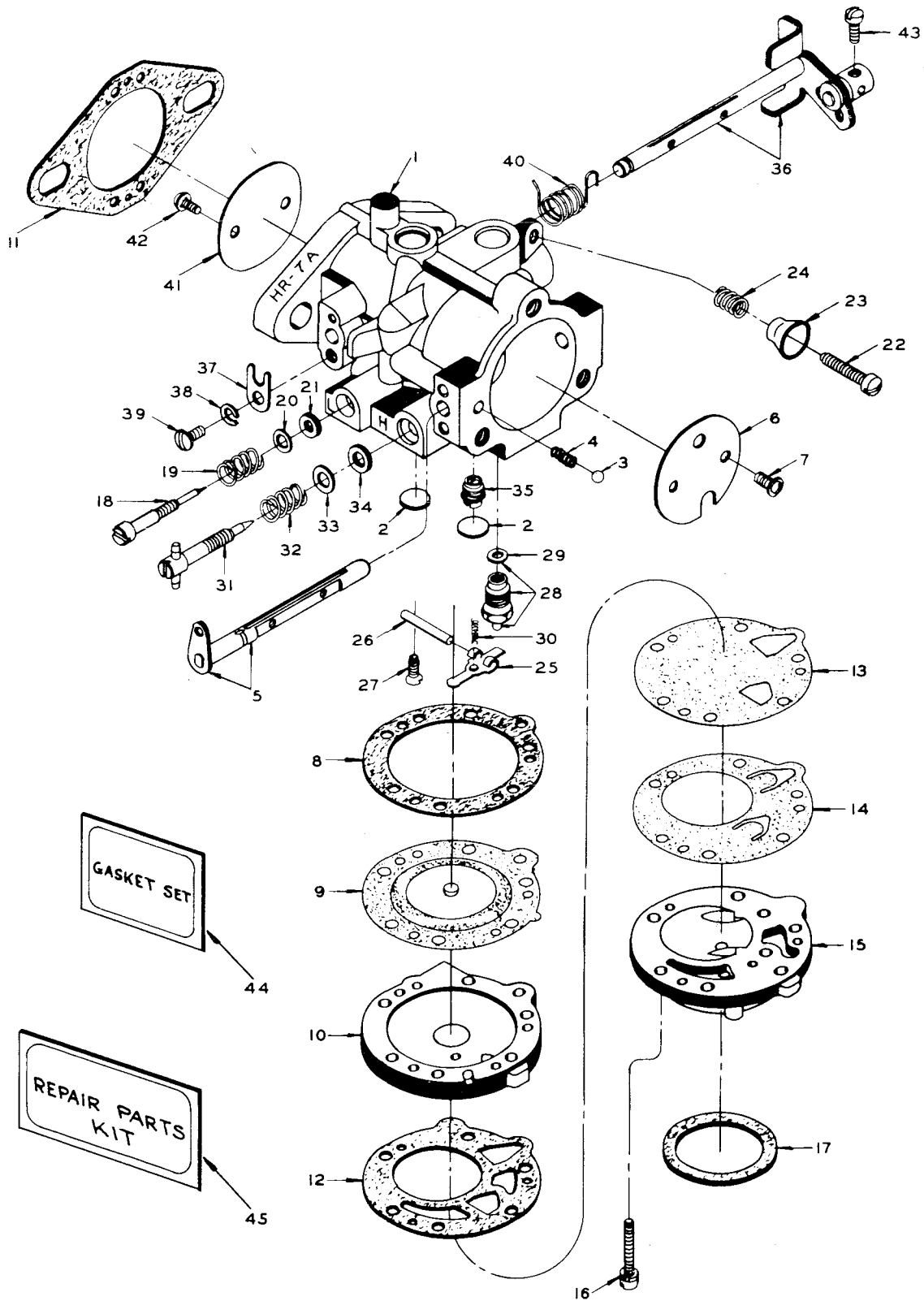
CARBURETOR HL - 233B FOR 250 CC.

ITEM NO.	PART NO.	DESCRIPTION	ITEM NO.	PARTS NO.	DESCRIPTION
1	404 0009	Body (service)	25	404 0065	*Idle speed screw
2	404 0010	*Body channel welch plug	26	404 0158	Idle speed screw cup
3	404 0013	Choke friction ball	27	404 0067	*Idle speed screw spring
4	404 0014	Choke friction spring	28	404 0146	Idle speed screw washer
5	404 0019	Choke shaft & lever	29	404 0069	*Inlet control lever
6	404 0024	Choke shutter	30	404 0072	*Inlet control lever fulcrum pin
7	404 0028	Choke shutter screw & lockwasher	31	404 0073	*Inlet control lever fulcrum pin ret. screw
8	404 0030	Diaphragm gasket	32	404 0159	*Inlet needle, seat & gasket
9	404 0032	*Diaphragm	33	404 0079	Inlet seat gasket
10	404 0035	Diaphragm cover	34	404 0081	*Inlet tension spring
11	404 0038	Flange gasket	35	404 0060	*High speed mixture screw
12	404 0041	Fuel pump gasket	36	404 0056	*High speed mixture screw spring
13	404 0043	*Fuel pump diaphragm (pulse)	37	404 0057	High speed mixture screw washer
14	404 0044	*Fuel pump diaphragm (valve)	38	404 0059	High speed mixture screw packing
15	404 0046	Fuel pump body	39	404 0087	Nozzle check valve
16	404 0047	Fuel pump body screw & lockwasher	40	404 0099	Throttle shaft & lever
17	404 0049	*Fuel strainer screen	41	404 0103	Throttle shaft clip
18	404 0050	Fuel strainer cover gasket	42	404 0027	Throttle shaft clip ret. screw
19	404 0051	Fuel strainer cover	43	404 0109	*Throttle shaft return spring
20	404 0052	*Fuel strainer cover ret. screw	44	404 0114	Throttle shutter
21	404 0053	*Idle mixture screw	45	404 0028	*Throttle shutter screw & lockwasher
22	404 0056	*Idle mixture screw spring	46	404 0134	*Throttle wire ret. screw
23	404 0057	Idle mixture screw washer	47	404 0119	*Gasket & packing set
24	404 0059	Idle mixture screw packing	48	404 0160	Repair parts kit

(*) Indicates contents of Repair Parts Kit

BOMBARDIER LTD.

CARBURETOR FOR 300, 300ECC.



BOMBARDIER LTD.

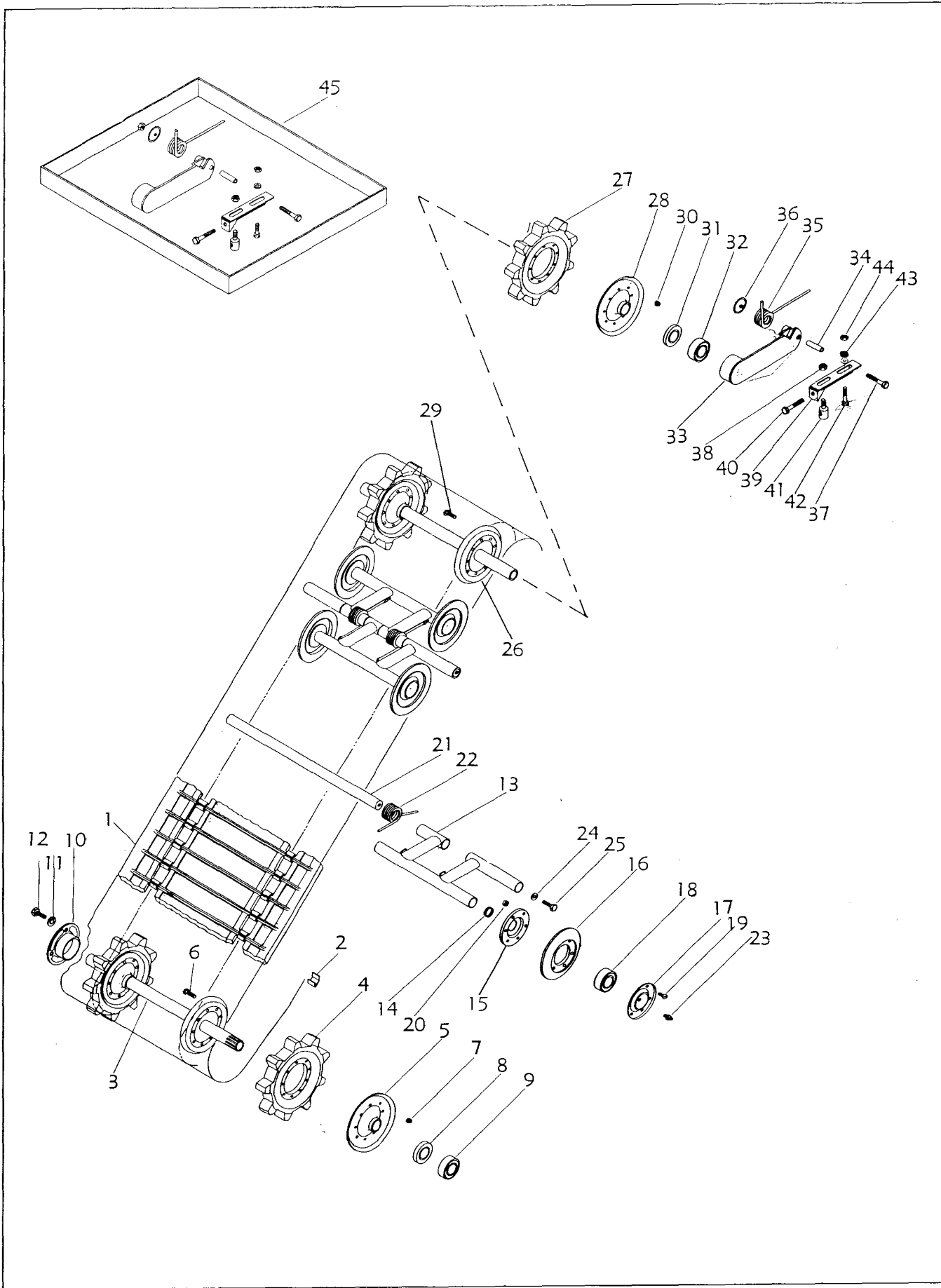
CARBURETOR FOR 300, 300ECC.

ITEM NO.	PART NO.	DESCRIPTION	ITEM NO.	PART NO.	DESCRIPTION
1	404 0161	Body (service)	24	404 0067	*Idle speed screw spring
2	404 0010	*Body channel welch plug	25	404 0069	*Inlet control lever
3	404 0013	Choke friction ball	26	404 0072	Inlet control lever fulcrum pin
4	404 0014	Choke friction spring	27	404 0073	*Inlet control lever fulcrum pin ret. screw
5	404 0020	Choke shaft & lever	28	404 0159	*Inlet needle, seat & gasket
6	404 0026	Choke shutter	29	404 0079	Inlet seat gasket
7	404 0028	Choke shutter screw & lockwasher	30	404 0081	*Inlet tension spring
8	404 0030	Diaphragm gasket	31	404 0062	*High speed mixture screw
9	404 0032	*Diaphragm	32	404 0068	*High speed mixture screw spring
10	404 0036	Diaphragm Cover	33	404 0058	High speed mixture screw washer
11	404 0039	Flange gasket	34	404 0063	High speed mixture screw packing
12	404 0041	Fuel pump gasket	35	404 0088	*Nozzle check valve
13	404 0043	*Fuel pump diaphragm (pulse)	36	404 0100	Throttle shaft & lever
14	404 0044	*Fuel pump diaphragm (valve)	37	404 0102	Throttle shaft clip
15	404 0046	Fuel pump body	38	404 0105	Throttle shaft clip lockwasher
16	404 0047	Fuel pump screw & lockwasher	39	404 0106	Throttle shaft clip ret. screw
17	404 0050	Fuel strainer cover gasket	40	404 0111	*Throttle shaft return spring
18	404 0061	*Idle mixture screw	41	404 0117	Throttle shutter
19	404 0056	*Idle mixture screw spring	42	404 0028	*Throttle shutter screw & lockwasher
20	404 0057	Idle mixture screw washer	43	404 0134	*Throttle wire ret. screw
21	404 0059	Idle mixture screw packing	44	404 0121	*Gasket & packing set
22	404 0066	*Idle speed screw	45	404 0162	Repair parts kit
23	404 0158	Idle speed screw cup			

(*) Indicates contents of Repair Parts Kit

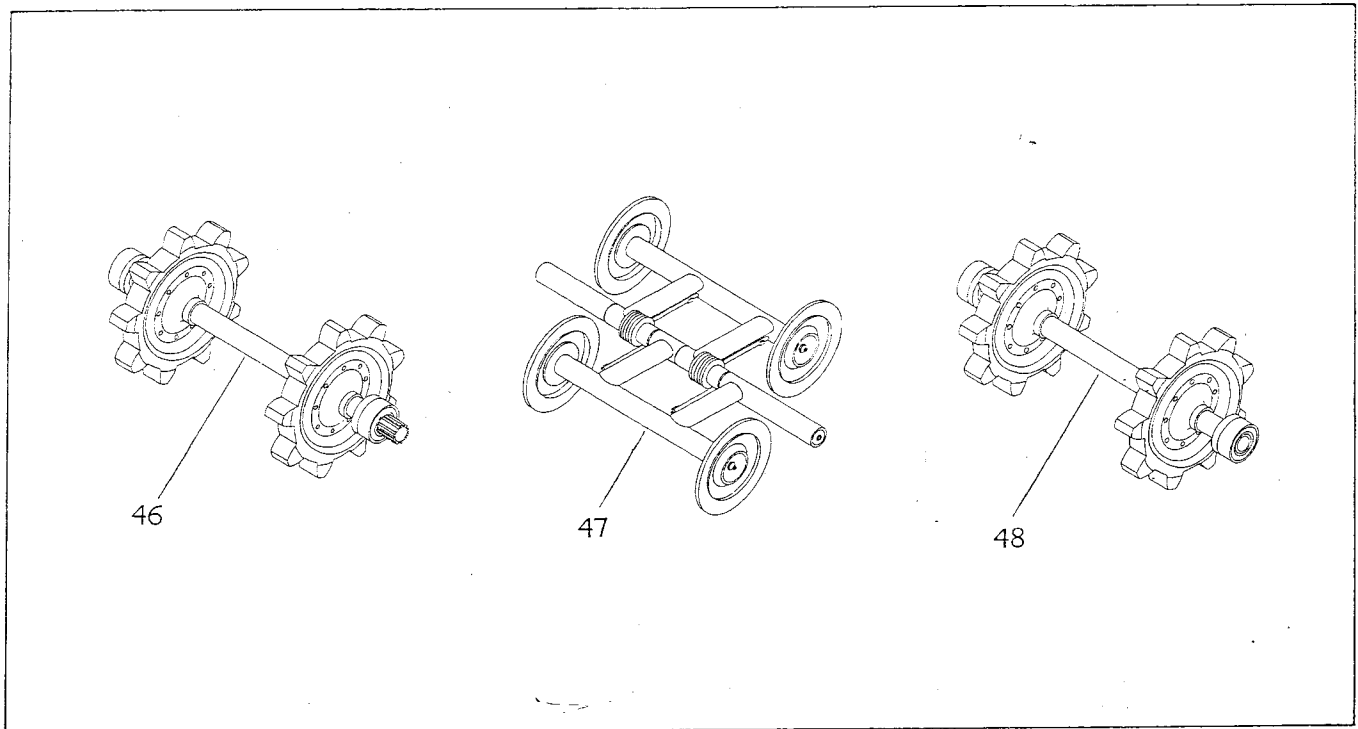
BOMBARDIER LTD.

SUSPENSION



BOMBARDIER LTD.

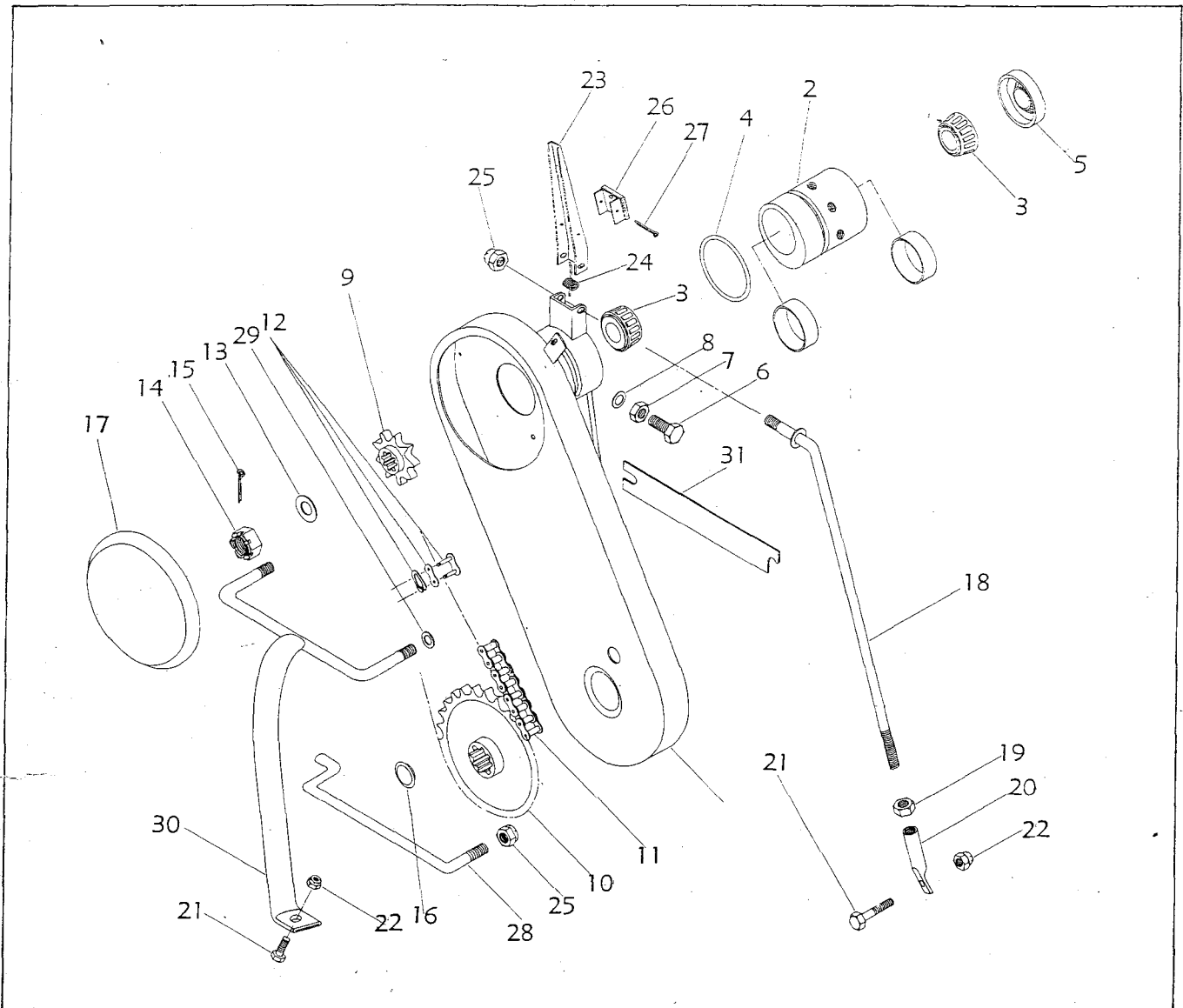
SUSPENSION



SUSPENSION

ITEM NO.	PART NO.	DESCRIPTION	QUANTITY				ITEM NO.	PART NO.	DESCRIPTION	QUANTITY			
			250	300	300E	370				250	300	300E	370
		TRACK					25	300 8043	Bolt	6	6	5	6
1	570 0002	Track	1	1	1	1			SUSPENSION				
2	570 0003	Track insert	-	-	-	-							
	529 0003	Insert block tool	-	-	-	-							
		DRIVE					26	503 0002	Rear hub	1	1	1	1
							27	570 0101	Sprocket	2	2	2	2
							28	501 0005	Flange	2	2	2	2
							29	320 9062	Bolt	18	18	18	18
3	501 0004	Drive axle	1	1	1		30	386 6013	Nut	18	18	18	18
3	501 0006	Drive axle				1	31	570 0301	Seal	2	2	2	2
4	414 0001	Sprocket	2	2	2	2	32	405 4004	Bearing	2	2	2	2
5	501 0005	Sprocket flange	2	2	2	2	33	503 0031	L.H. adjuster link plate	1	1	1	1
6	320 9102	Bolt	18	18	18	18							
7	386 6119	Nut	18	18	18	18	33	503 0030	R.H. adjuster link plate	1	1	1	1
8	581 1017	Seal	2	2	2	2							
9	405 4002	Bearing	2	2	2	2	34	503 0029	Adjuster sleeve	2	2	2	2
10	501 0007	End bearing housing	1	1	1	1	35	503 0023	L.H. spring	1	1	1	1
							35	503 0025	R.H. spring	1	1	1	1
11	392 0019	Lock washer	3	3	3	3	36	503 0016	Retainer washer	2	2	2	2
12	300 1000	Bolt	3	3	3	3	37	300 1048	Bolt	2	2	2	2
		WHEEL					38	386 6022	Nut	2	2	2	2
							39	503 0012	L.H. Adjuster bracket	1	1	1	1
							39	503 0008	R.H. Adjuster bracket	1	1	1	1
13	502 0002	Wheel support	6	6	6	6	40	309 8004	Adjusting screw	2	2	2	2
14	502 0011	Cap	12	12	12	12	41	503 0027	Adjuster eye-bolt	2	2	2	2
15	502 0005	Inner flange	12	12	12	12	42	300 3041	Bolt	2	2	2	2
16	570 0203	Tire	12	12	12	12	43	399 9007	Flat washer	2	2	2	2
17	502 0006	Outer flange	12	12	12	12	44	386 7001	Nut	4	4	4	4
18	405 4002	Bearing	12	12	12	12	45	581 0007	L.H. Adjustment ass'y	1	1	1	1
19	320 9062	Bolt	72	72	72	72	45	581 0008	R.H. Adjustment ass'y	1	1	1	1
20	386 6013	Nut	72	72	72	72	46	580 0002	Drive axle ass'y	1	1	1	-
21	502 0008	Cross shaft	3	3	3	3	46	580 7002	Drive axle ass'y	-	-	-	1
22	502 0010	Spring	6	6	6	6	47	580 0005	Wheel ass'y	1	1	1	1
23	408 2001	Fitting	12	12	12	12	48	581 0006	Rear hub ass'y	1	1	1	1
24	399 8001	Tooth lock washer	6	6	6	6							

CHAIN CASE

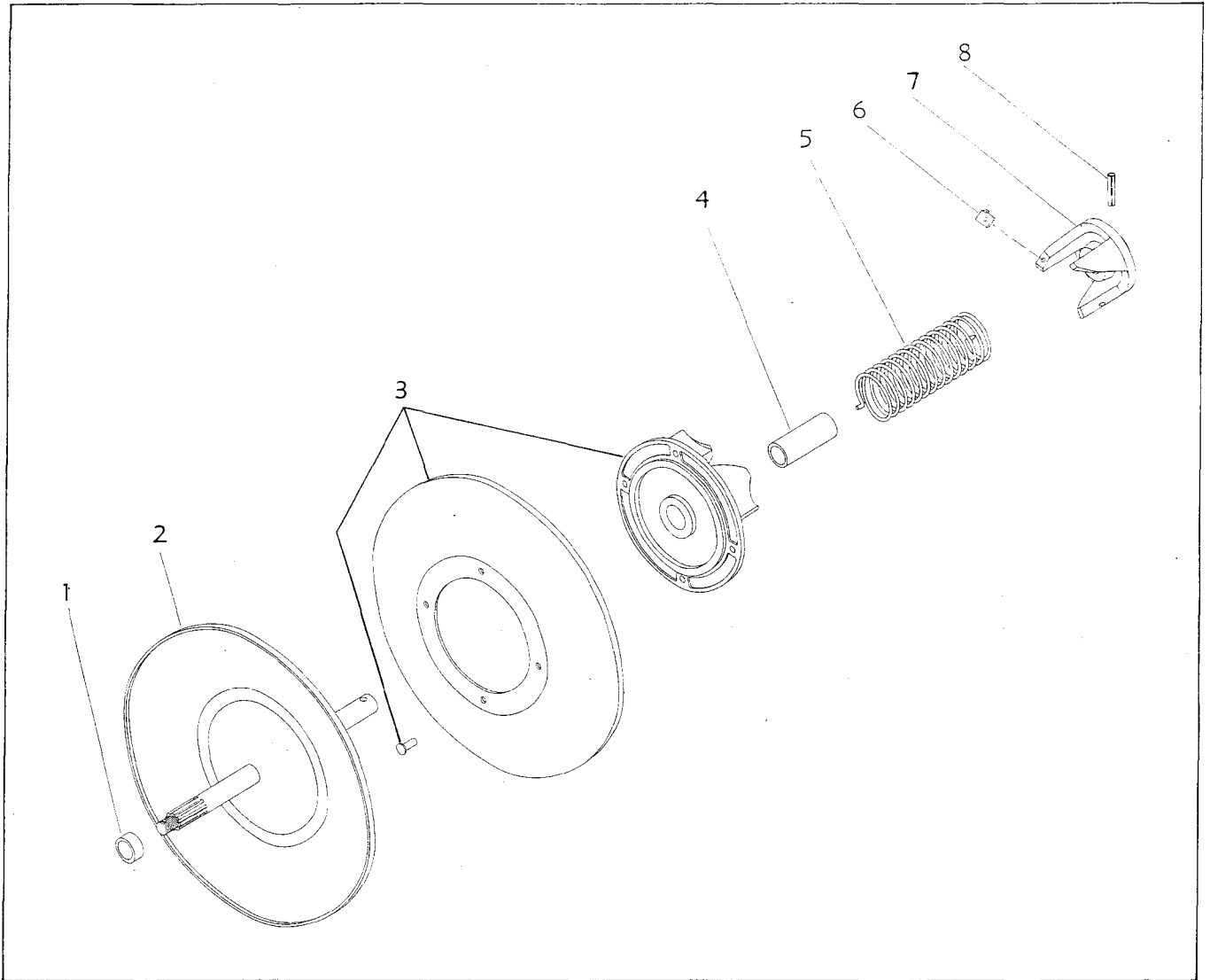


CHAIN CASE

ITEM NO.	PART NO.	DESCRIPTION	QUANTITY				ITEM NO.	PART NO.	DESCRIPTION	QUANTITY			
			250	300	300E	370				250	300	300E	370
1	504 0003	Chain Case	1	1	1	1	15	371 0011	Cotter Pin	1	1	1	1
2	504 0005	Chain Tensioner with Cup	1	1	1	1	16	570 0406	Chain case plug	1	1	1	1
3	405 0001	Bearing Cone	2	2	2	2	17	570 0403	Inspection cover	1	1	1	1
4	406 0001	"O" ring	1	1	1	1	18	507 0012	Hinge rod & support	1	1	1	1
5	406 3001	Oil Seal	1	1	1	1	19	380 6022	Nut	1	1	1	1
6	300 4084	Bolt	1	1	1	1	20	507 0013	Adjuster tube	1	1	1	1
7	380 9024	Nut	1	1	1	1	21	300 0001	Bolt	2	2	2	2
8	391 0025	Flat Washer	1	1	1	1	22	386 6019	Nut	2	2	2	2
9	504 0007	Sprocket 9 teeth	1	-	-	-	23	507 0029	Brake Handle	1	1	1	1
9	504 0008	Sprocket 10 teeth	-	1	1	-	24	414 0081	Spring	1	1	1	1
9	504 0009	Sprocket 11 teeth	-	-	-	1	25	386 6022	Nut	4	4	4	4
10	504 0013	Sprocket 25 teeth	-	1	1	1	26	581 1018	Swivel plate with lining	1	1	1	1
10	504 0012	Sprocket 26 teeth	1	-	-	-	27	371 0035	Cotter pin	1	1	1	1
11	412 1003	Driving Chain	1	1	1	1	28	504 0019	U-clamp	1	1	1	1
12	412 6001	Chain Repair Kit	-	-	-	-	29	391 0023	Flat washer	2	2	2	2
11	412 1006	Driving Chain	-	-	-	1	30	504 0018	Footrest & U-clamp	1	1	1	1
13	504 0015	Shaft washer	1	1	1	1	31	504 0020	Shim	-	-	-	-
14	381 2028	Slotted Nut	1	1	1	1							

BOMBARDIER LTD.

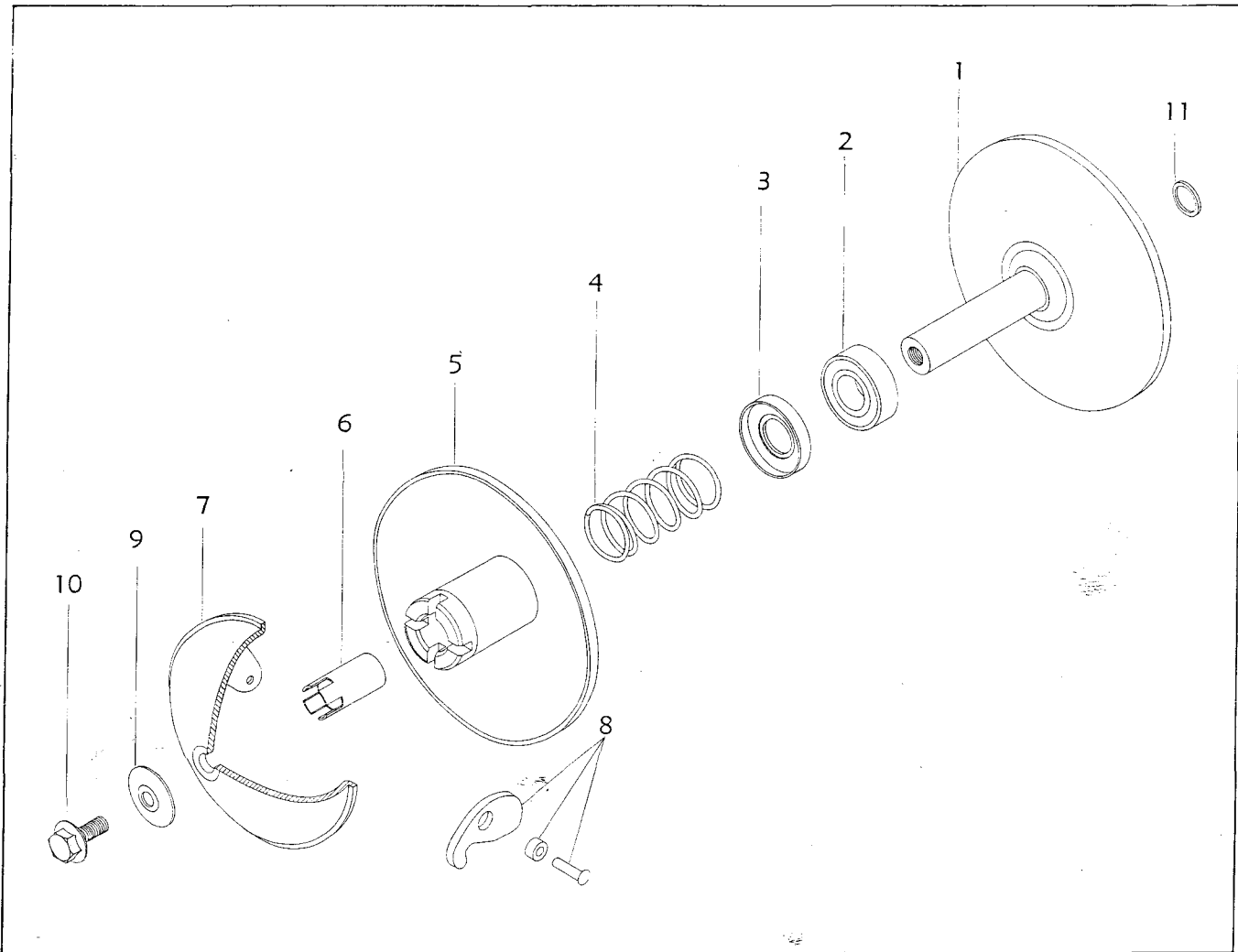
DRIVEN PULLEY



ITEM NO.	PART NO.	DESCRIPTION	QUANTITY				ITEM NO.	PART NO.	DESCRIPTION	QUANTITY			
			250	300	300E	370				250	300	300E	370
1	504 1011	Spacer	1	1	1	1	5	414 0125	Release spring	1	1	1	1
2	504 1028	Fixed pulley half	1	1	1	1	6	414 0126	Cam slider shoe	3	3	3	3
3	504 1029	Sliding pulley half	1	1	1	1	7	560 4001	Outer cam	1	1	1	1
4	405 6002	Bushing	1	1	1	1	8	372 1123	Roll pin	1	1	1	1

BOMBARDIER LTD.

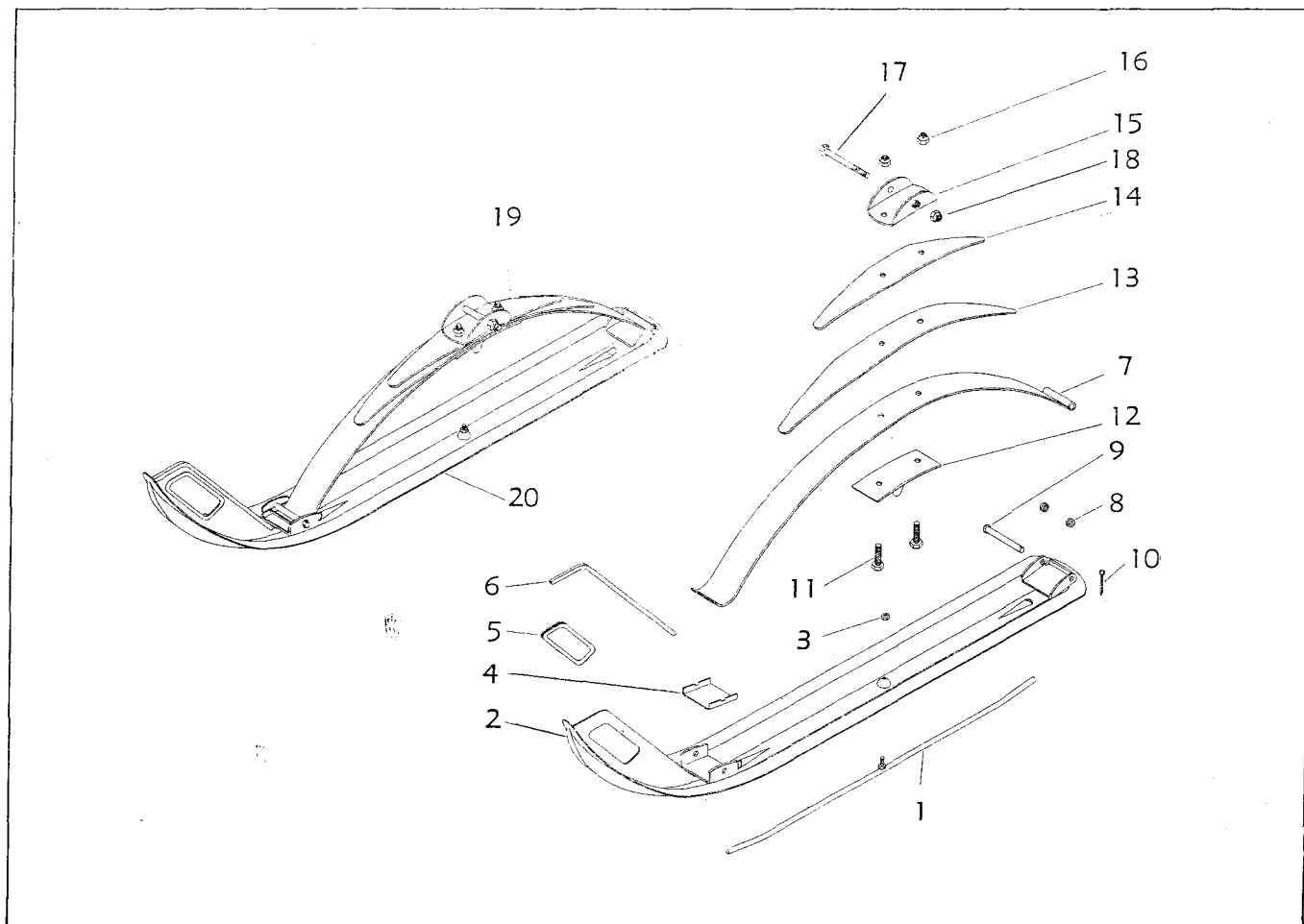
DRIVE PULLEY



ITEM NO.	PART NO.	DESCRIPTION	QUANTITY				ITEM NO.	PART NO.	DESCRIPTION	QUANTITY			
			250	300	300E	370				250	300	300E	370
1	504 2008	Inner Half	1	1	1	1	7	504 2022	Centrifugal Governor	1	1	1	1
2	405 4005	Bearing	1	1	1	1	8	504 2024	Pressure Lever Kit	As Requested			
3	504 2013	Spring seat	1	1	1	1	9	504 2026	Governor Washer	1	1	1	1
4	414 0013	Release Spring	1	1	1	1	10	309 8010	Bolt	1	1	1	1
5	504 2017	Outer Half	1	1	1		11	504 1009	Shim .024"	As Requested			
5	504 2025	Outer Half				1	11	504 1010	Shim .048"	As Requested			
6	504 1026	Sleeve				1							

BOMBARDIER LTD.

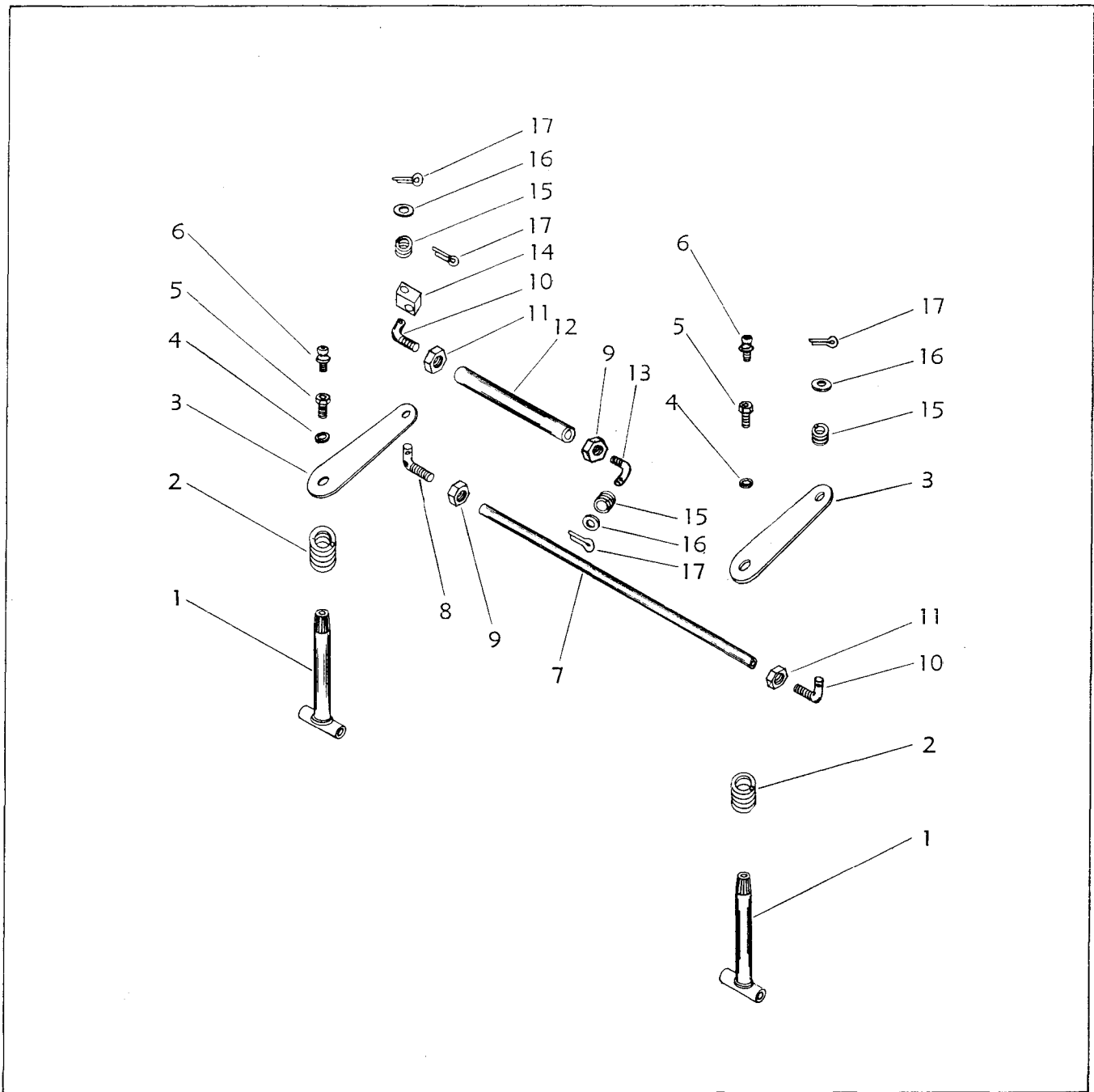
SKI



ITEM NO.	PART NO.	DESCRIPTION	QUANTITY				ITEM NO.	PART NO.	DESCRIPTION	QUANTITY			
			250	300	300E	370				250	300	300E	370
1	505 0002	Runner shoe	1	1	1	1	14	505 0015	Auxiliary leaf spring 13"	-	1	1	1
2	505 0032	Ski runner	1	1	1	1	15	505 0006	Spring coupler	1	1	1	1
3	380 9019	Nut	1	1	1	1	16	386 6024	Nut	2	2	2	2
4	505 0033	Spring slider cushion	1	1	1	1	17	309 8003	Bolt	1	1	1	1
5	570 0503	Inside protector	1	1	1	1	18	386 6022	Nut	1	1	1	1
6	414 0142	Outer protector	1	1	1	1	19	582 1008	L.H. leaf spring ass'y	1	-	-	-
7	505 0039	Taper leaf spring	1	-	-	-	19	582 1007	R.H. leaf spring ass'y	1	-	-	-
7	505 0016	Main leaf spring	-	1	1	1	19	582 2002	L.H. leaf spring ass'y	-	1	1	1
8	505 0035	Washer	2	2	2	2	19	582 2001	R.H. leaf spring ass'y	-	1	1	1
9	505 0034	Retainer pin	2	2	2	2	20	581 1016	L.H. ski ass'y	1	-	-	-
10	371 0011	Cotter pin	2	2	2	2	20	581 1015	R.H. ski ass'y	1	-	-	-
11	300 8084	Bolt	2	2	2	2	20	581 2006	L.H. ski ass'y	-	1	1	1
12	570 0502	Re-bound leaf spring	1	1	1	1	20	581 2005	R.H. ski ass'y	-	1	1	1
13	505 0013	Auxiliary leaf spring 18"	-	1	1	1							

BOMBARDIER LTD.

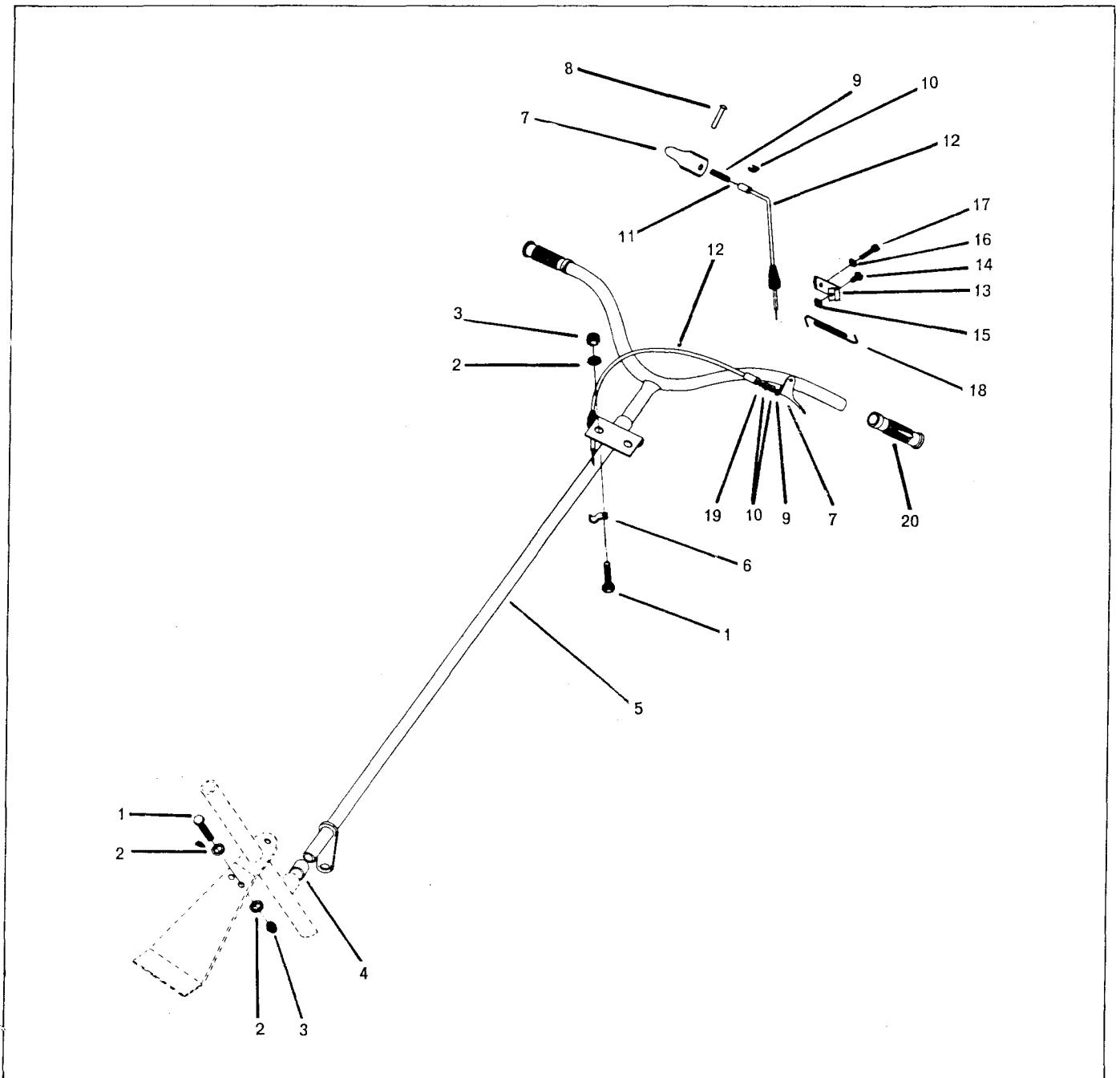
TIE ROD



ITEM NO.	PART NO.	DESCRIPTION	QUANTITY				ITEM NO.	PART NO.	DESCRIPTION	QUANTITY			
			250	300	300E	370				250	300	300E	370
1	506 0004	Ski-leg	2	2	2	2	10	506 0017	Tie rod end L.H.	2	2	2	2
2	414 0127	Upper coil spring	2	2	2	2	11	380 6024	Nut	2	2	2	2
3	506 0014	Steering arm	2	2	2	2	12	506 0043	Upper tie rod	1	1	1	1
4	392 0026	Lock washer	2	2	2	2	13	506 0044	Center tie rod end	1	1	1	1
5	560 6001	Upper ski-leg bolt	2	2	2	2	14	506 0023	Tie rod swivel	1	1	1	1
6	408 2001	Grease fitting	2	2	2	2	15	506 0019	Spring	2	2	2	2
7	506 0022	Lower tie rod	1	1	1	1	16	391 0025	Washer	2	2	2	2
8	506 0018	Tie rod end R.H.	1	1	1	1	17	371 0031	Cotter pin	4	4	4	4
9	389 8016	Nut L.H.	2	2	2	2							

BOMBARDIER LTD.

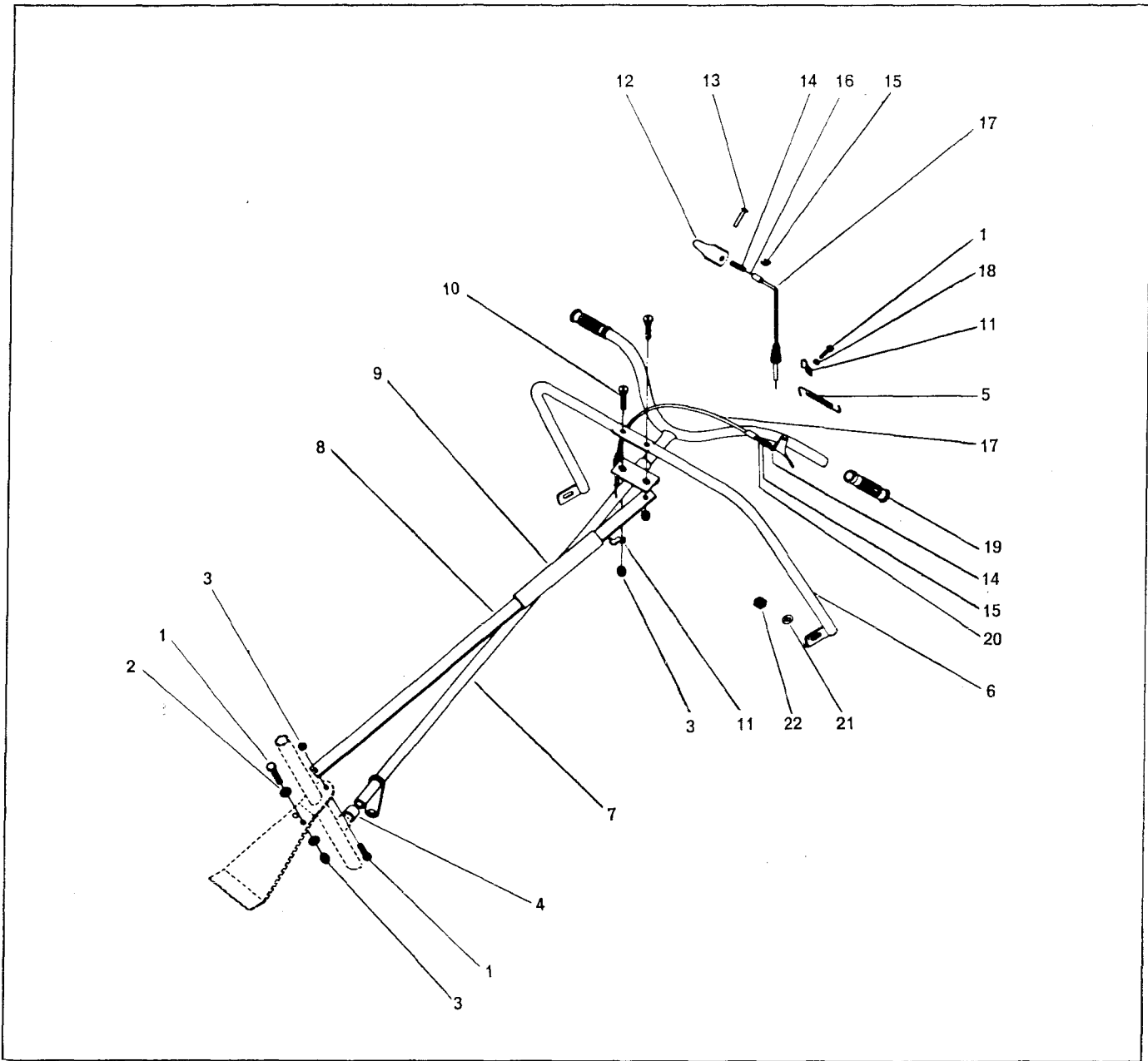
STEERING



ITEM NO.	PART NO.	DESCRIPTION	QUANTITY 250	ITEM NO.	PART NO.	DESCRIPTION	QUANTITY 250
1	300 0001	Hex. Cap. Screw	4	11	510 0004	Cable	1
2	391 0021	Flat Washer	6	12	580 1020	Cable Housing	2
3	386 6019	Elastic Stop Nut	4	13	510 0011	Housing Clip	1
4	570 0601	Steering Bushing	1	14	321 7061	Machine Screw	1
5	506 0045	Handle Bar	1	15	385 1013	Nut	1
6	507 0028	Housing Clip	1	16	399 8007	Lock Washer	1
7	506 0041	Hand Handle	2	17	300 1001	Cap Screw	1
8	390 9001	Rivet	2	18	414 0008	Return Spring	1
9	414 0082	Cable Protector	2	19	507 0031	Cable	1
10	409 0012	Parallel Connector	3	20	414 0002	Grip	2

BOMBARDIER LTD.

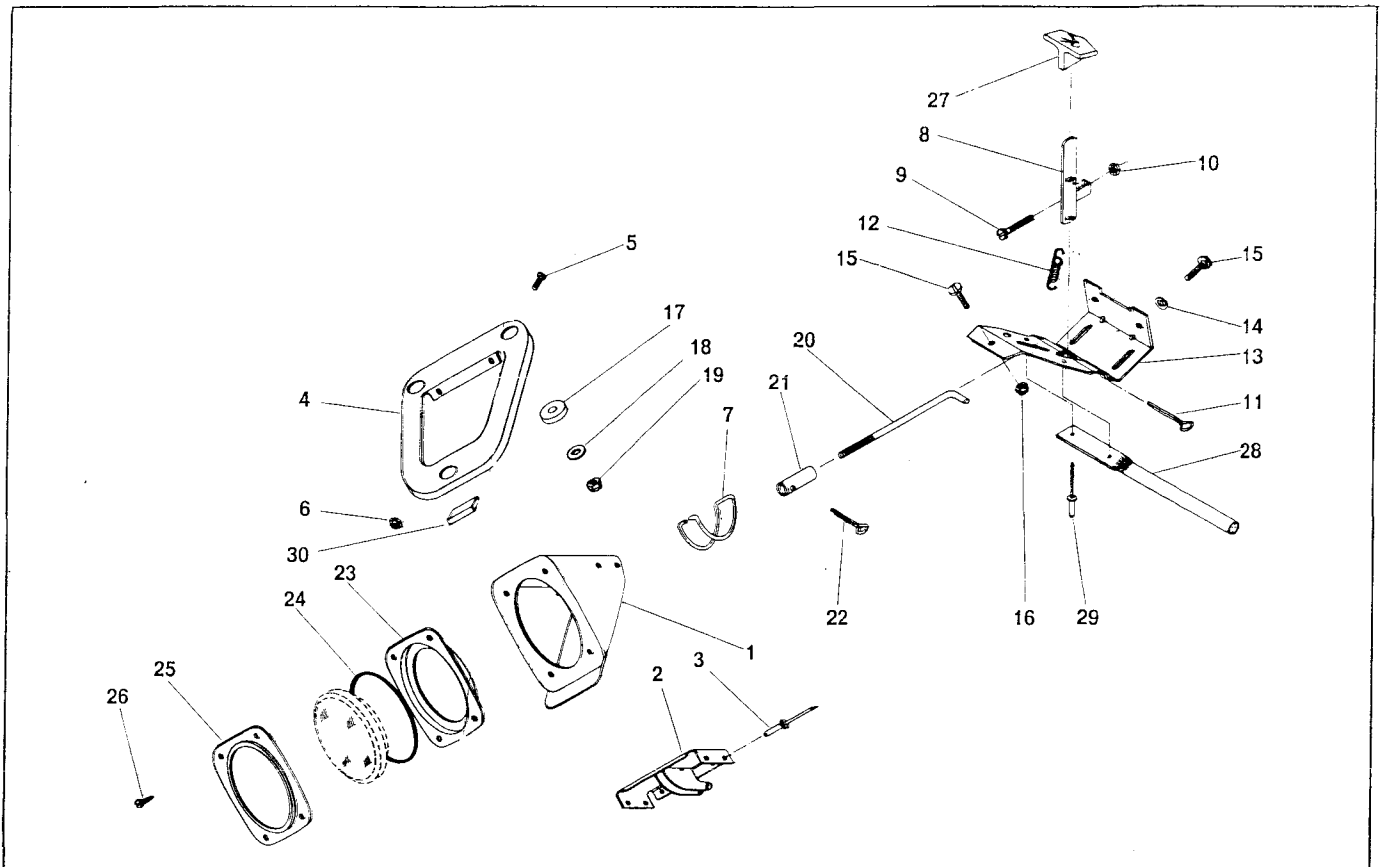
STEERING



ITEM NO.	PART NO.	DESCRIPTION	QUANTITY				ITEM NO.	PART NO.	DESCRIPTION	QUANTITY			
			300	300E	370	370E				300	300E	370	370E
1	300 0001	Hex. Cap Screw	4	4	3	3	13	390 9001	Rivet	2	2	2	2
2	391 0021	Flat Washer	4	4	4	4	14	414 0082	Cable Protector	2	2	2	2
3	386 6019	Elastic Stop Nut	5	5	5	5	15	409 0012	Parallel Connector	3	3	3	3
4	570 0601	Steering Bushing	1	1	1	1	16	510 0016	Cable	1	1	-	-
5	414 0008	Return Spring	-	-	1	1	16	510 0004	Cable	-	-	1	1
6	506 0046	Upper Column	1	1	1	1	17	580 1020	Cable Housing	2	2	1	1
7	506 0045	Handle Bar	1	1	1	-	17	581 7003	Cable Hsg. (Throttle)	-	-	1	1
7	506 0055	Handle Bar	-	-	-	1	18	399 8007	Lock Washer	1	1	-	-
8	506 0049	Brace Strip	1	1	1	1	19	414 0002	Grip	2	2	2	2
9	506 0057	Housing-Brace Strip	-	-	-	1	20	507 0031	Cable	1	1	1	1
10	323 2102	Machine Screw	2	2	2	2	21	391 0023	Flat Washer	2	2	2	2
11	507 0028	Housing Clip	2	2	1	1	22	387 9002	Nut	2	2	2	2
12	506 0041	Hand Handle	2	2	2	2							

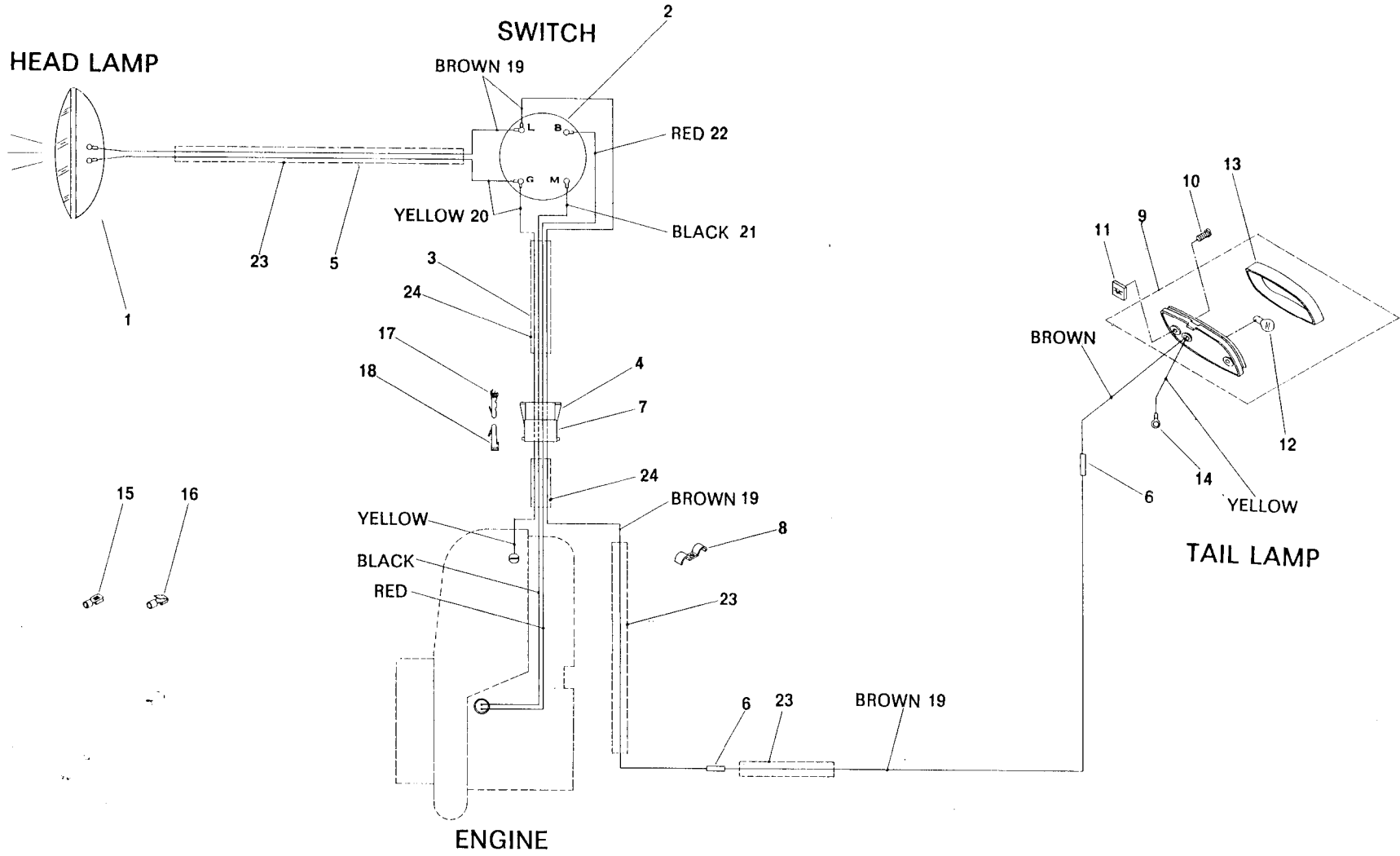
BOMBARDIER LTD.

HEADLAMP MECHANISM

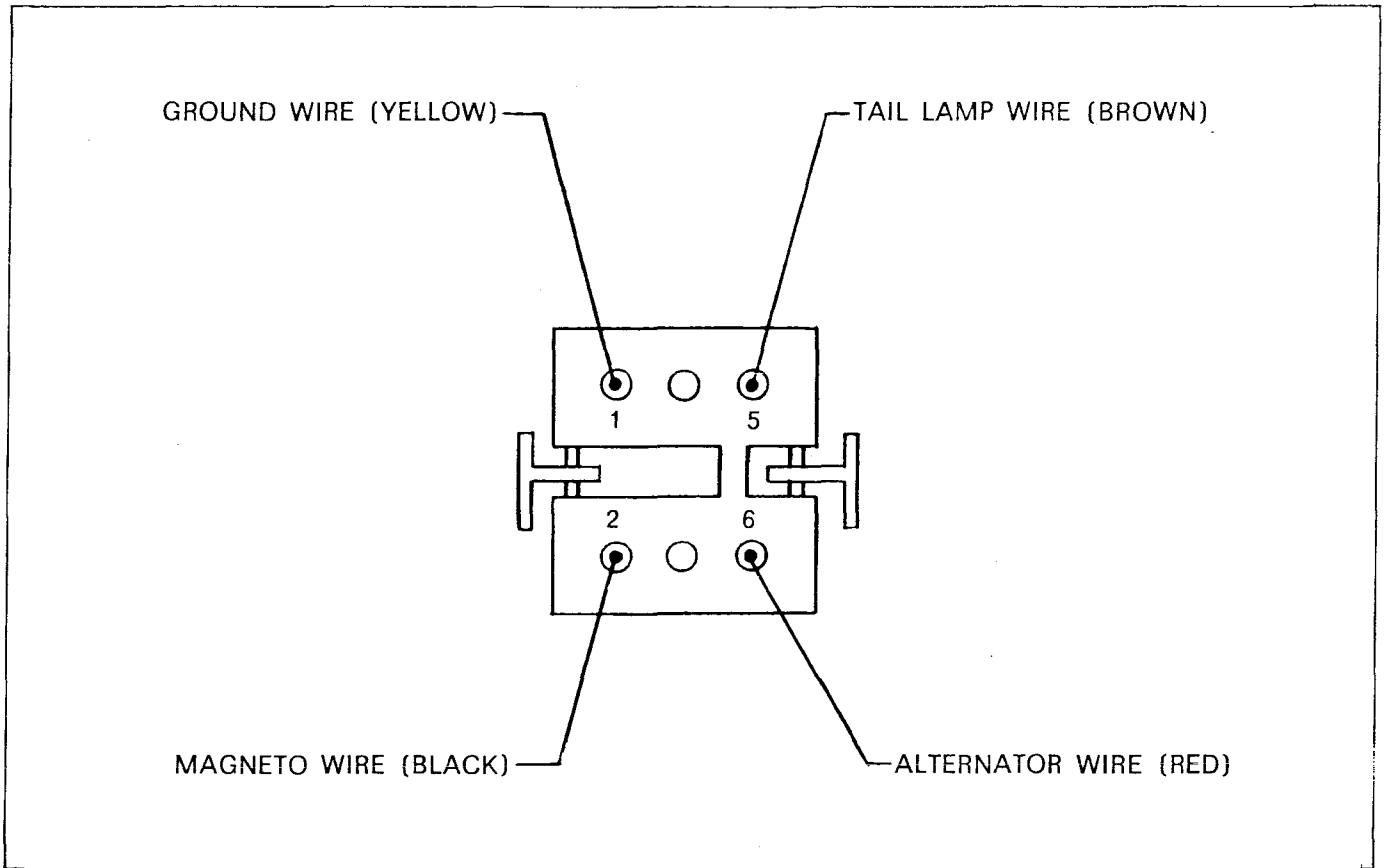


ITEM NO.	PART NO.	DESCRIPTION	QUANTITY					ITEM NO.	PART NO.	DESCRIPTION	QUANTITY				
			250	300	300E	370	370E				250	300	300E	370	370E
1	571 1716	Sealed beam support	1	1	1	1	1	16	386 6119	Nut	3	3	3	3	3
2	515 0011	Hinge support	1	1	1	1	1	17	570 1702	Insulator Rubber	3	3	3	3	3
3	390 4005	Pop rivet	4	4	4	4	4	18	391 0023	Flat washer	3	3	3	3	3
4	515 0060	Slanting bracket	1	1	1	1	1	19	380 9019	Nut	3	3	3	3	3
5	320 1061	Machine screw	2	2	2	2	2	20	515 0013	Control Rod	1	1	1	1	1
6	386 6013	Nut	2	2	2	2	2	21	515 0014	Adjuster bushing	1	1	1	1	1
7	414 0101	Spring	1	1	1	1	1	22	371 1061	Cotter Pin	1	1	1	1	1
8	515 0062	Control lever	1	1	1	1	1	23	515 0010	Inner Ring	1	1	1	1	1
9	321 7103	Machine screw	1	1	1	1	1	24	570 1710	Vibration Ring	1	1	1	1	1
10	380 9019	Nut	1	1	1	1	1	25	515 0009	Outer Ring	1	1	1	1	1
11	371 1061	Cotter pin	1	1	1	1	1	26	363 0073	Metal screw	4	4	4	4	4
12	414 0041	Lever spring	1	1	1	1	1	27	414 0054	Control lever Knob	1	1	1	1	1
13	517 0085	Steering bracket	1	1	-	1	-	28	517 0114	Circuit Holder tube	-	-	1	-	1
13	517 0113	Steering bracket	-	-	1	-	1	29	390 4004	Pop rivet	-	-	2	-	2
14	399 9009	Flat washer	2	2	2	2	2	30	517 0098	Spacer Strip	2	2	2	2	2
15	329 7102	Machine screw	3	3	3	3	3								

BOMBARDIER LTD.



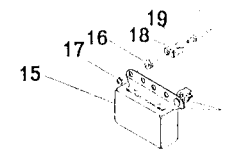
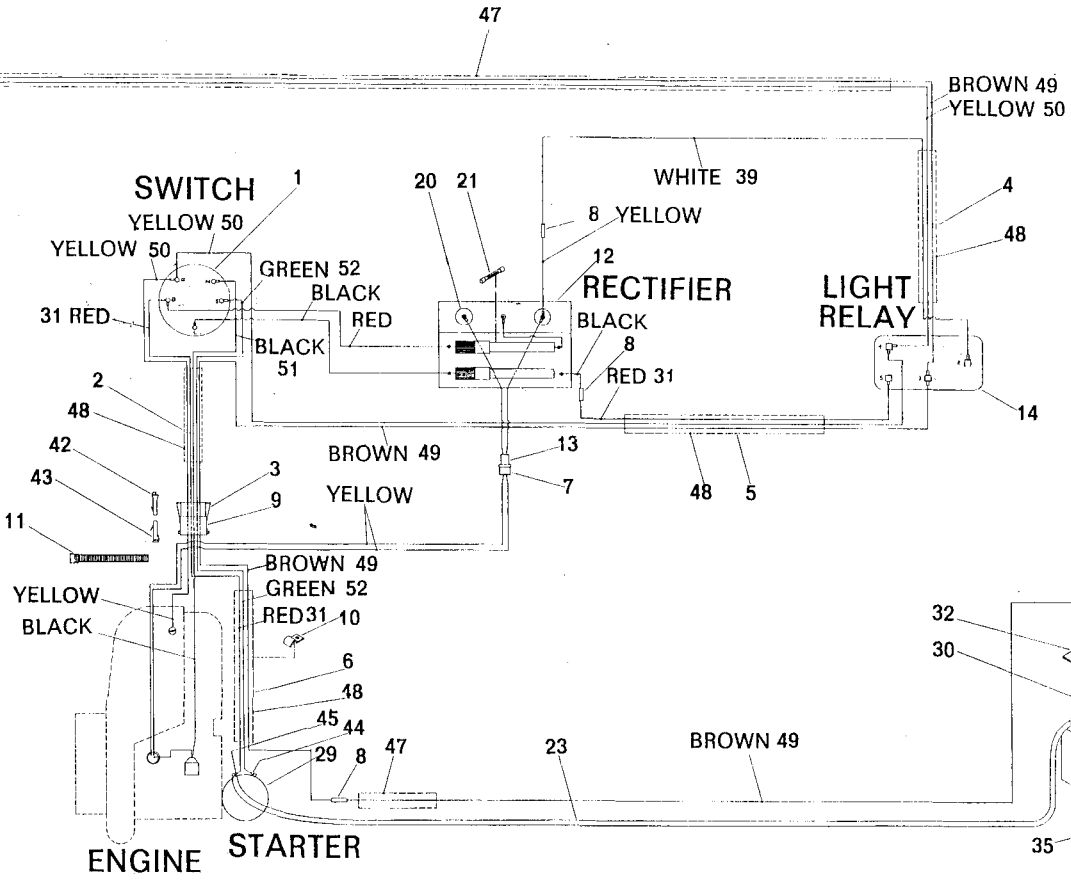
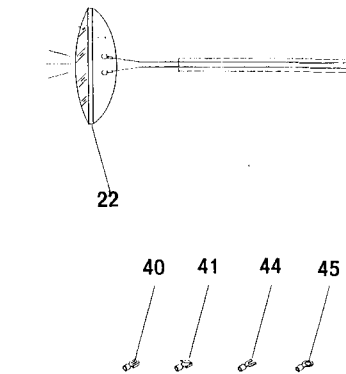
ELECTRICAL 250, 300, 370



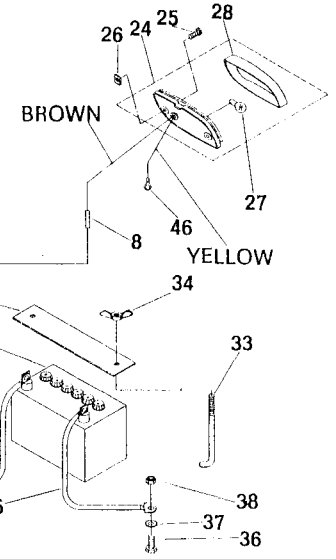
ITEM NO.	PART NO.	DESCRIPTION	QUANTITY			ITEM NO.	PART NO.	DESCRIPTION	QUANTITY		
			250	300	370				250	300	370
1	410 6008	Sealed Beam	1	1	1	13	410 9019	Tail Lamp Lens	1	1	1
2	410 1002	Light & Ignition Switch	1	1	1	14	409 0007	Insulated Terminal	1	1	1
3	515 0128	Housing Wire Ass'y	1	1	1	15	409 0011	Female Tab Socket	10	10	10
4	409 2002	Socket Housing Connector (6 cir.)	1	1	1	16	409 0013	Wire Range Adaptor	2	2	2
5	515 0129	Housing Wire Ass'y	1	1	1	17	409 0004	Socket Contactor	4	4	4
6	409 2007	Insulated Tab Receptacle	2	2	2	18	409 0005	Pin Contactor	4	4	4
7	409 2001	Pin Housing Connector (6 cir.)	1	1	1	19	409 6014	Wire Brown (Mult 12'')	-	-	-
8	515 0035	Housing Clip	-	-	1	20	409 6013	Wire Yellow (Mult 12'')	-	-	-
9	410 6007	Tail Lamp Ass'y	1	1	1	21	409 6012	Wire Black (Mult 12'')	-	-	-
10	320 2043	Machine Screw	2	2	2	22	409 6011	Wire Red (Mult 12'')	-	-	-
11	389 8010	Speed Nut	2	2	2	23	409 9001	Housing 3/16 (Mult 12'')	-	-	-
12	410 5006	Tail Lamp Bulb	2	2	2	24	409 9002	Housing 5/16 (Mult-12'')	-	-	-
							414 0078	Key Holder	1	1	1

BOMBARDIER LTD.

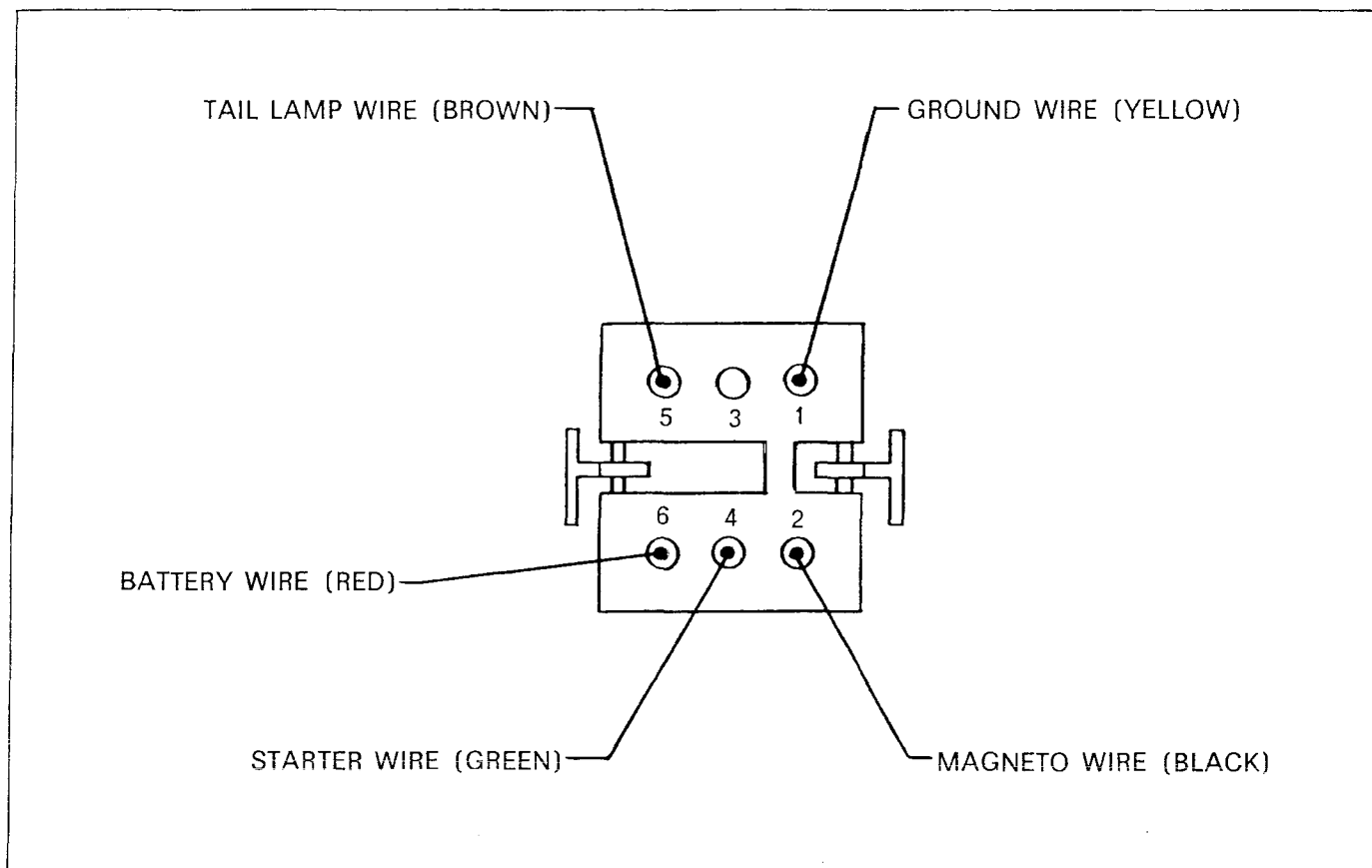
HEAD LAMP



TAIL LAMP

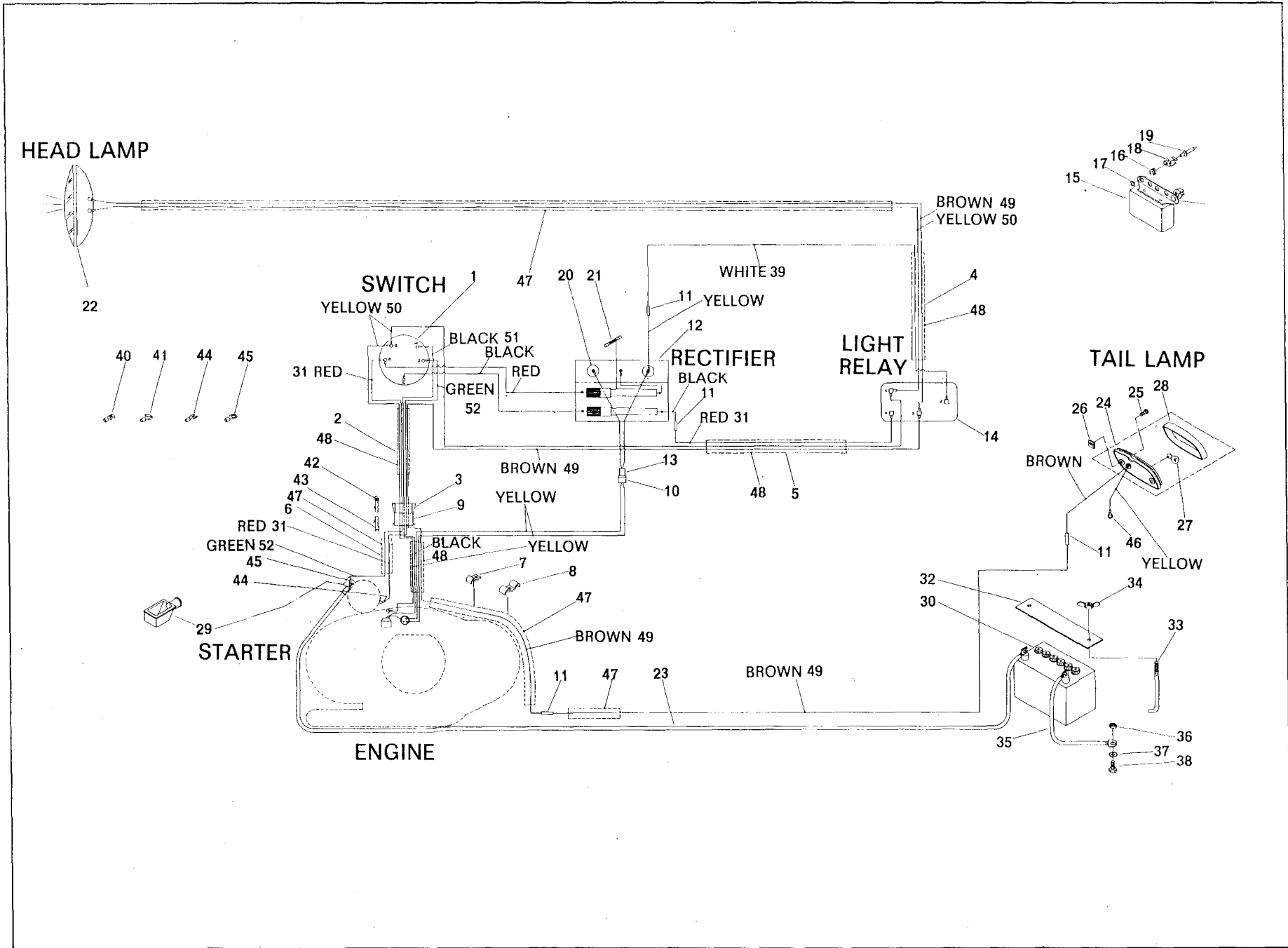


ELECTRICAL 300E

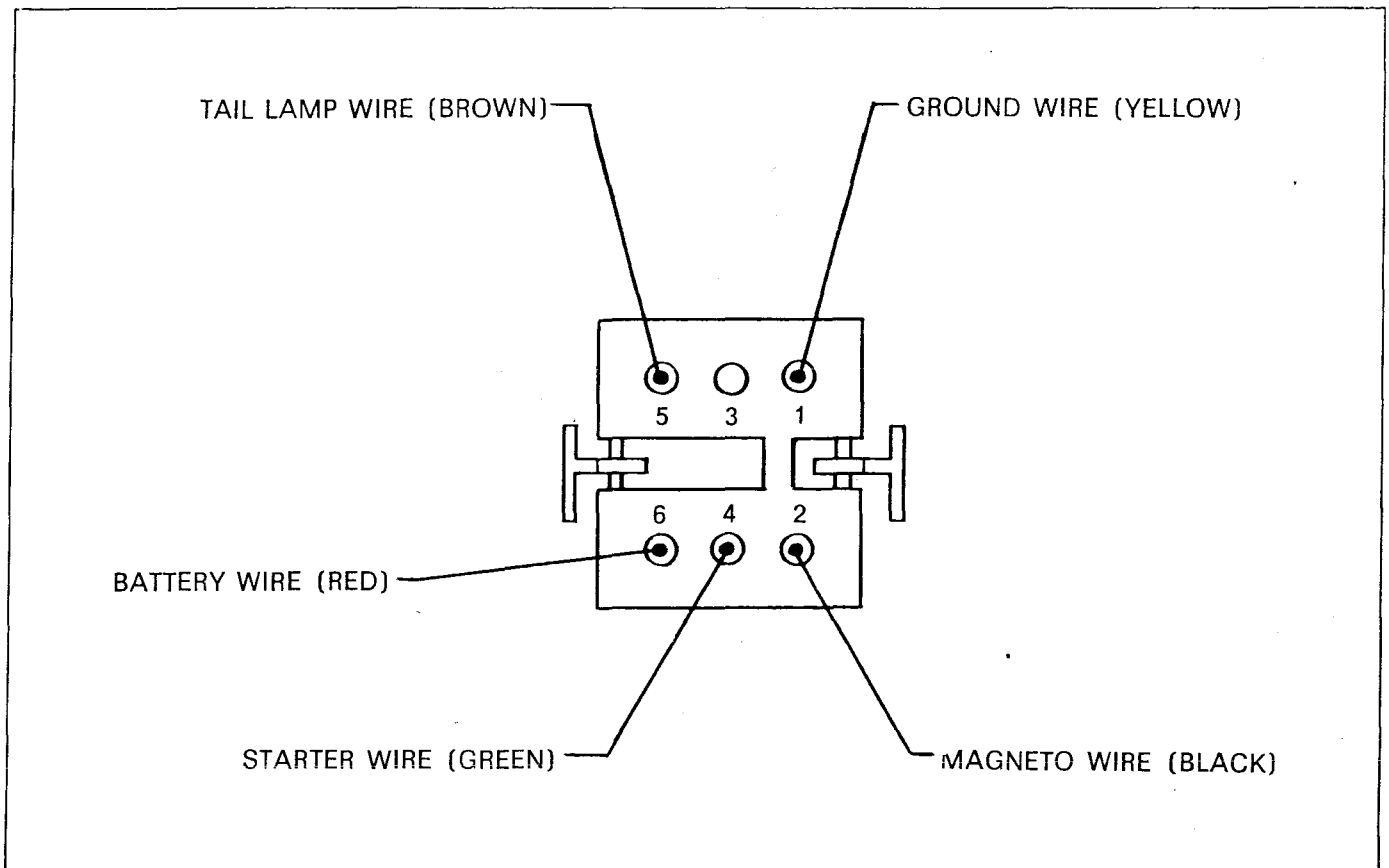


ITEM NO.	PART NO.	DESCRIPTION	QUANTITY 300E	ITEM NO.	PART NO.	DESCRIPTION	QUANTITY 300E
1	410 1003	Ignition Switch	1	26	389 8010	Speed Nut	2
2	515 0124	Housing Wire Ass'y	1	27	410 5006	Tail Lamp Bulb	2
3	409 2002	Socket Housing Connector (6 cir.)	1	28	410 9019	Tail Lamp Lens	1
			1	29	570 1504	Starter Pad Protector	1
4	515 0125	Housing Wire Ass'y	1	30	410 3002	Battery (12 Volts)	1
5	515 0126	Housing Wire Ass'y	1	31	409 6011	Wire Red (Mult 12'')	-
6	515 0123	Housing Wire Ass'y	1	32	515 0095	Battery Retaining Plate	1
7	409 2005	Pin Housing Connector (2 cir.)	1	33	515 0096	Battery Retaining Plate Rod	2
			4	34	386 3019	Wing Nuts	2
8	409 2007	Insulated Tab Receptacle	4	35	409 6006	Ground Battery Wire	1
9	409 2001	Pin Housing Connector (6 cir.)	1	36	300 1000	Cap Screw	1
			1	37	394 0019	Lock Washer	1
10	515 0119	Housing Clip	1	38	386 6019	Elastic Stop Nut	1
11	410 9028	Rap Tate	1	39	409 6010	Wire White (Mult 12'')	-
12	410 9026	Rectifier Plate Ass'y	1	40	409 0011	Female Tab Socket	11
13	409 2006	Socket Housing Connector (2 cir.)	1	41	409 0013	Wire Range Adaptor	7
			1	42	409 0004	Socket Contactor	5
14	581 2104	Light Relay Ass'y	1	43	409 0005	Pin Contactor	3
15	410 9029	Light Relay	1	44	409 0010	Insulated Terminal	1
16	410 9016	Grommet	2	45	409 0009	Insulated Terminal	1
17	399 9003	Washer	2	46	409 0007	Insulated Terminal	1
18	410 9030	Clip	2	47	409 9001	Housing 3/16 (Mult 12'')	-
19	390 4001	Pop Rivet	2	48	409 9002	Housing 5/16 (Mult 12'')	-
20	410 9024	Diode	2	49	409 6014	Wire Brown (Mult 12'')	-
21	410 9023	Fuse 9 AMP - 35 Volts	2	50	409 6013	Wire Yellow (Mult 12'')	-
22	410 6008	Sealed Beam 12 Volts	1	51	409 6012	Wire Black (Mult 12'')	-
23	409 6007	Current Battery Wire	1	52	409 6015	Wire Green (Mult 12'')	-
24	410 6007	Tail Lamp Ass'y	1		410 3003	Acid Container	1
25	320 9043	Machine Screw	2				

BOMBARDIER LTD.



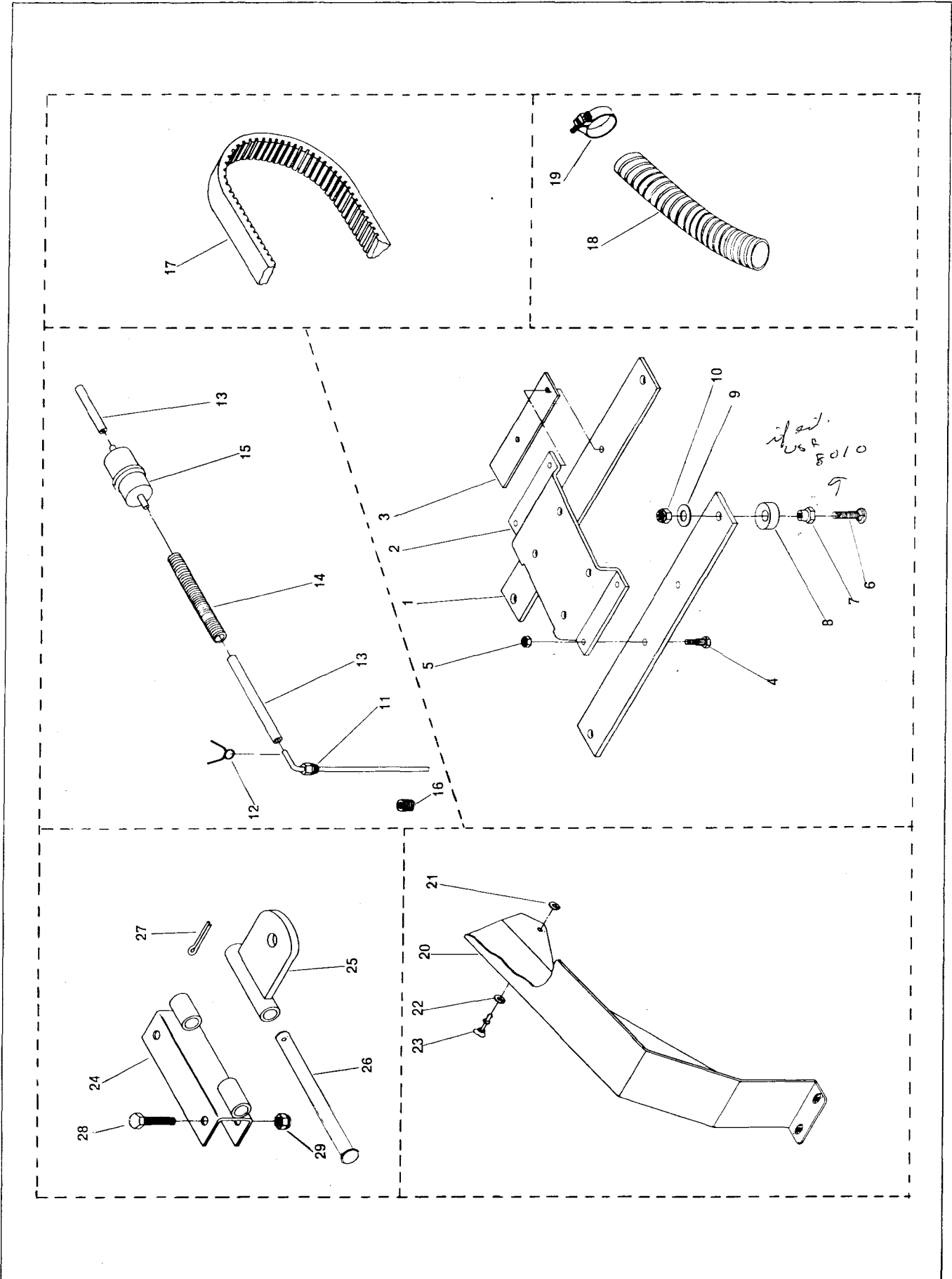
ELECTRICAL 370E



ITEM NO.	PART NO.	DESCRIPTION	QUANTITY 370E	ITEM NO.	PART NO.	DESCRIPTION	QUANTITY 370E
1	410 1003	Ignition Switch	1	26	389 8010	Speed Nut	2
2	515 0124	Housing Wire Ass'y	1	27	410 5006	Tail Lamp Bulb	2
3	409 2002	Socket Housing Connector (6 cir.)	1	28	410 9019	Tail Lamp Lens	1
4	515 0125	Housing Wire Ass'y	1	29	570 1505	Protection Cap	1
5	515 0126	Housing Wire Ass'y	1	30	410 3002	Battery (12 V)	1
6	515 0127	Housing Wire Ass'y	1	31	409 6011	Wire Red (Mult 12'')	—
7	507 0028	Housing Clip	1	32	515 0095	Battery Retaining Plate	1
8	515 0035	Housing Clip	1	33	515 0096	Battery Retaining Plate Rod	2
9	409 2001	Pin Housing Connector (6 cir.)	1	34	380 3019	Wing Nut	2
10	409 2005	Pin Housing Connector (2 cir.)	1	35	409 6006	Ground Battery Wire	1
11	409 2007	Insulated Tab Receptacle	4	36	300 1000	Cap Screw	1
12	410 9026	Rectifier Plate Ass'y	1	37	394 0019	Lock Washer	1
13	409 2006	Socket Housing Connector (2 cir.)	1	38	386 6019	Elastic Stop Nut	1
14	581 2104	Light Relay Ass'y	1	39	409 6010	Wire White (Mult 12'')	—
15	410 9029	Light Relay	1	40	409 0011	Female Tab Socket	14
16	410 9016	Grommet	2	41	409 0013	Wire Range Adaptor	4
17	399 9003	Washer	2	42	409 0004	Socket Contactor	7
18	410 9030	Clip	2	43	409 0005	Pin Contactor	7
19	390 4001	Pop Rivet	2	44	409 0010	Insulated Terminal	1
20	410 9024	Diode	2	45	409 0009	Insulated Terminal	1
21	410 9023	Fuse 9 AMP — 35 Volts	2	46	409 0007	Insulated Terminal	1
22	410 6008	Sealed Beam	1	47	409 9001	Housing 3/16 (Mult 12'')	—
23	409 6009	Current Battery Wire	1	48	409 9002	Housing 5/16 (Mult 12'')	—
24	410 6007	Tail Lamp Ass'y	1	49	409 6014	Wire Brown (Mult 12'')	—
25	320 8043	Machine Screw	2	50	409 6013	Wire Yellow (Mult 12'')	—
				51	409 6012	Wire Black (Mult 12'')	—
				52	409 6015	Wire Green (Mult 12'')	—
					410 3003	Acid Container	1

BOMBARDIER LTD.

MISCELLANEOUS

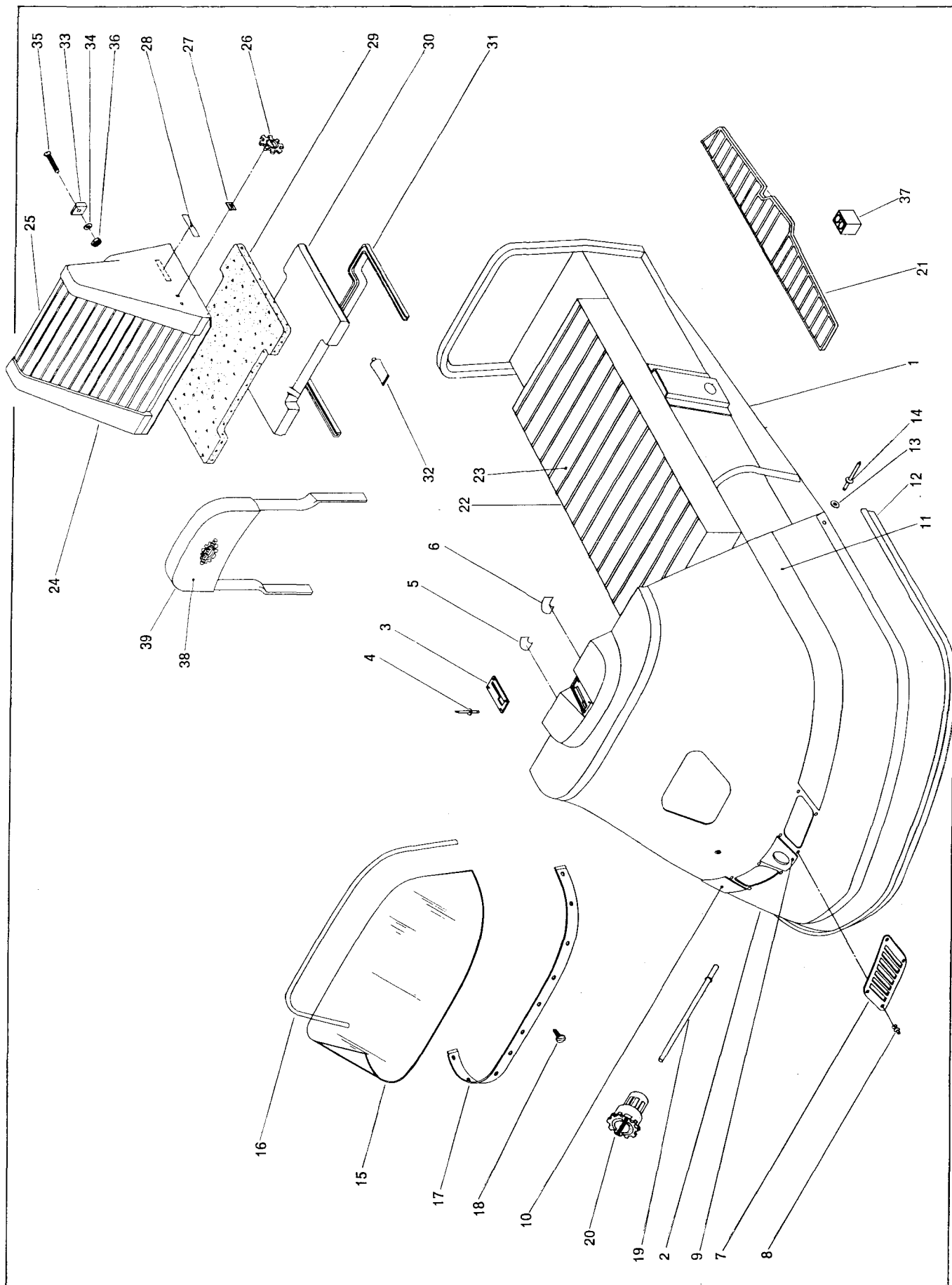


MISCELLANEOUS

ITEM NO.	PART NO.	DESCRIPTION	QUANTITY					ITEM NO.	PART NO.	DESCRIPTION	QUANTITY				
			250	300	300E	370	370E				250	300	300E	370	370E
1	512 0012	Engine Support	2	2	2	2	2	15	412 0112	Fuel Filter	-	1	1	-	-
2	512-0017	Engine Bracket	1	1	1	-	-	16	408 0002	Drain Plug	1	1	1	1	1
2	512-0020	Engine Bracket	-	-	-	1	1	17	570 0411	Drive Belt	1	1	1	1	1
3	512-0030	Space Plate	-	-	-	1	1	18	514 0028	Exhaust Pipe	1	-	-	-	-
4	309 8012	Cap Screw	4	4	4	4	4	18	514 0022	Exhaust Pipe	-	-	-	1	1
5	386 6022	Elastic Stop Nut	4	4	4	4	4	18	514 0031	Exhaust Pipe	-	1	1	-	-
6	360 8007	Carriage Bolt	4	4	4	4	4	19	402 2049	Clamp	2	2	2	2	2
7	512 0011	Threaded Spacer Bushing	4	4	4	4	4	20	571 1718	Pulley Guard	1	1	-	-	-
8	570 1202	Insulator Rubber	4	4	4	4	4	20	580 7006	Pulley Guard	-	-	-	1	1
9	399 9006	Flat Washer	4	4	4	4	4	20	571 1727	Pulley Guard	-	-	1	-	-
10	386 6024	Elastic Stop Nut	4	4	4	4	4	21	399 8008	Lock Ring	3	3	3	3	3
11	513 0035	Fuel Line Adaptor	1	1	1	1	1	22	399 8008	Lock Ring	-	-	-	1	1
12	414 0128	Hose Clamp	4	2	2	4	4	23	389 8020	Wing Nut	3	3	3	3	3
13	414 0130	Fuel Line (in Length)	-	-	-	-	-	24	517 0086	Hitch Bracket	-	1	1	1	1
14	414 0178	Insulating Line (in Length)	-	-	-	-	-	25	517 0087	Hitch Plate	-	1	1	1	1
15	414 0112	Fuel Filter	1	-	-	1	1	26	517 0097	Pin	-	1	1	1	1
								27	371 0011	Cotter Pin	-	1	1	1	1
								28	309 8014	Cap Screw	-	2	2	2	2
								29	386 6019	Nut	-	2	2	2	2

BOMBARDIER LTD.

BODY



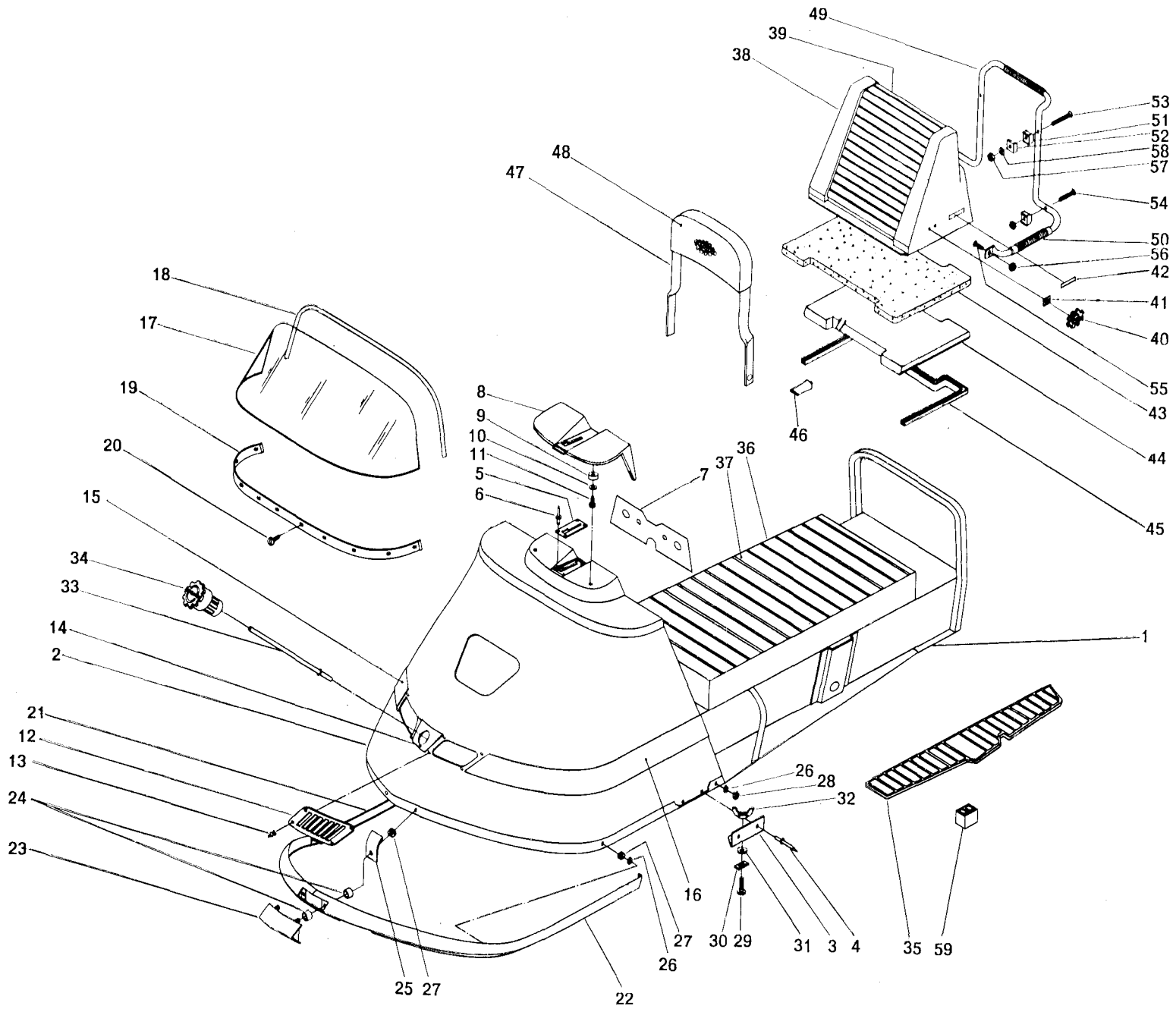
BOMBARDIER LTD.

BODY

ITEM NO.	PART NO.	DESCRIPTION	QUANTITY 250	ITEM NO.	PART NO.	DESCRIPTION	QUANTITY 250
1	580 1022	Frame Weldment	1	21	570 1709	L.H. Foot Pad	1
2	561 7002	Hood	1	22	414 0156	Seat Assembly	1
3	517 0078	Guide Plate	1	23	414 0179	Seat Leatherette	1
4	390 4008	Pop Rivet	4	24	580 1013	Backrest Assembly	1
5	414 0093	Ignition Sticker	1	25	414 0174	Padded Backrest Assembly	1
6	414 0133	Decompressor Sticker	1	26	414 0123	Bombardier Crest	2
7	414 0042	R.H. Louvre	1	27	389 8017	Nut	4
7	414 0043	L.H. Louvre	1	28	414 0107	Label Olympique	2
8	390 4007	Pop Rivet	8	29	414 0071	Glove Box Pad	1
9	414 0120	Center Strip (label)	1	30	571 1726	Backrest Bottom Plate	1
10	414 0102	R.H. Strip (label)	1	31	414 0164	Backrest Strip	1
11	414 0103	L.H. Strip (label)	1	32	413 9003	Contact Cement	1
12	414 0159	Body Moulding	1	33	570 1706	Skew Spacer	2
13	399 9001	Washer	22	34	391 0017	Washer	2
14	390 4004	Pop Rivet	22	35	320 1066	Screw	2
15	517 0081	Windshield	1	36	386 6013	Nut	2
16	517 0110	Windshield Protector	1	37	414 0066	Epoxy Glue	-
17	517 0082	Windshield Moulding	1	38	414 0058	Center Backrest Ass'y	-
18	363 0073	Screw	10	39	414 0059	Center Backrest Leatherette	-
19	414 0117	Fuel Tank Gauge	1				
20	414 0116	Fuel Tank Cap	1				
21	570 1708	R.H. Foot Pad	1				

BOMBARDIER LTD.

BODY

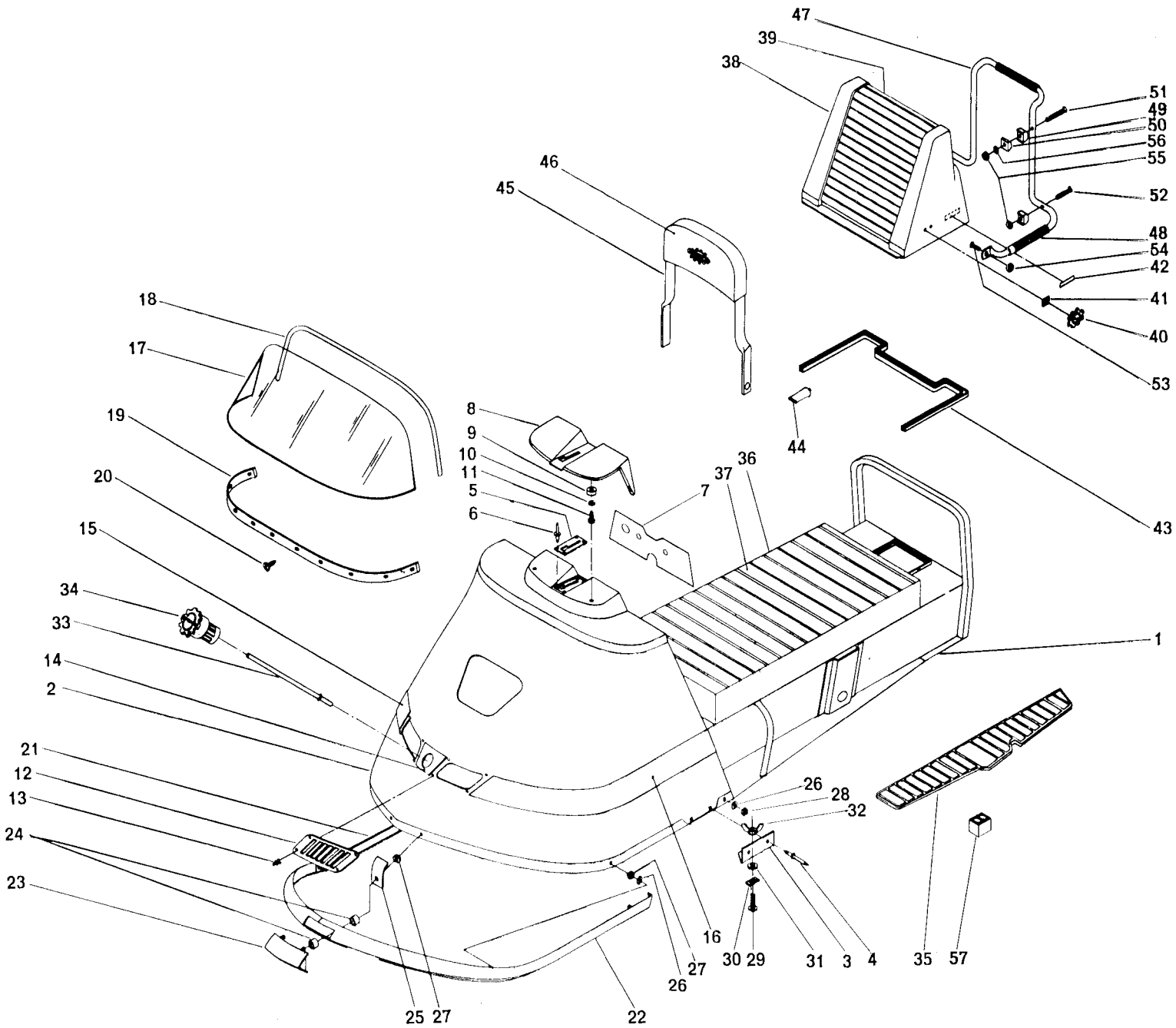


BODY

ITEM NO.	PART NO.	DESCRIPTION	QUANTITY		ITEM NO.	PART NO.	DESCRIPTION	QUANTITY	
			300	370				300	370
1	580 2011	Frame Weldment	1	-	31	570 1711	Rubber Washer	4	4
1	580 7003	Frame Weldment	-	1	32	389 8032	Wing Nut	4	4
2	561 7003	Hood	1	-	33	414 0117	Fuel Tank Gauge	1	1
2	561 7004	Hood	-	1	34	414 0116	Fuel Tank Cap	1	1
3	517 0079	Retaining Bracket	4	4	35	570-1708	R.H. Foot Pad	1	1
4	390 4004	Pop Rivet	8	8	35	570 1709	L.H. Foot Pad	1	1
5	517 0078	Guide Plate	1	1	36	414 0156	Seat Assembly	1	-
6	390 4008	Pop Rivet	4	4	36	414 0158	Seat Assembly	-	1
7	414 0114	Dash Panel	1	-	37	414 0179	Seat Leatherette	1	-
7	414 0132	Dash Panel	-	1	37	414 0180	Seat Leatherette	-	1
8	414 0105	Crash Pad	1	1	38	580 2013	Backrest Assembly	1	-
9	570 1707	Rubber Bushing	2	2	38	580 7008	Backrest Assembly	-	1
10	399 9001	Flat Washer	2	2	39	414 0174	Padded Backrest	1	1
11	363 0073	Screw	4	4	40	414 0123	Bombardier Crest	2	2
12	414 0042	R.H. Louvre	1	1	41	389 8017	Nut	4	4
12	414 0043	L.H. Louvre	1	1	42	414 0108	Label Super Olympique	2	-
13	390 4007	Pop Rivet	8	8	42	414 0110	Label Super 370	-	2
14	414 0120	Center Strip (Label)	1	1	43	414 0071	Glove Box Pad	1	1
15	414 0102	R.H. Strip (Label)	1	1	44	571 1726	Backrest Bottom Plate	1	1
16	414 0103	L.H. Strip (Label)	1	1	45	414 0164	Backrest Strip	1	1
17	517 0081	Windshield	1	1	46	413 9003	Contact Cement	1	1
18	517 0110	Windshield Protector	1	1	47	414 0058	Center Backrest	1	1
19	517 0082	Windshield Moulding	1	1	48	414 0059	Center Backrest Leatherette	1	1
20	363 0073	Screw	10	10	49	580 2014	Rear Bumper with Grip	1	1
21	517 0076	R.H. Side Bumper	1	1	50	414 0016	Grip	3	3
22	517 0077	L.H. Side Bumper	1	1	51	570 1704	Rubber Spacer	4	4
23	570 1701	Front Rubber Bumper	1	1	52	570 1706	Skew Spacer	2	2
24	517 0088	Spacer	4	4	53	327 3070	Screw	2	2
25	517 0089	Hood Positioning Bracket	2	2	54	327 3072	Screw	2	2
26	391 0023	Flat Washer	4	4	55	330 5101	Screw	2	2
27	387 9002	Nut	4	4	56	380 6013	Nut	2	2
28	380 9022	Nut	2	2	57	386 6013	Nut	4	4
29	320 1132	Screw	4	4	58	391 0017	Washer	2	2
30	389 8018	Nut	4	4	59	414 0066	Epoxy Glue		

BOMBARDIER LTD.

BODY



BODY

ITEM NO.	PART NO.	DESCRIPTION	QUANTITY		ITEM NO.	PART NO.	DESCRIPTION	QUANTITY	
			300E	370E				300E	370E
1	580 2101	Frame Weldment	1	-	30	389 8018	Nut	4	1
1	580 7010	Frame Weldment	-	1	31	570 1711	Rubber Washer	4	4
2	561 7003	Hood	1	-	32	389 8032	Wing Nut	4	4
2	561 7004	Hood	-	1	33	414 0117	Fuel Tank Gauge	1	1
3	517 0079	Retaining Bracket	4	4	34	414 0116	Fuel Tank Cap	1	1
4	390 4004	Pop Rivet	8	8	35	570 1708	R.H. Foot Pad	1	1
5	517 0078	Guide Plate	1	1	35	570 1709	L.H. Foot Pad	1	1
6	390 4008	Pop Rivet	4	4	36	414 0157	Seat Assembly	1	-
7	414 0163	Dash Panel	1	-	36	414 0177	Seat Assembly	-	1
7	414 0176	Dash Panel	-	1	37	414 0180	Seat Leatherette	1	1
8	414 0105	Crash Pad	1	1	38	580 2106	Backrest Assembly	1	-
9	570 1707	Rubber Bushing	2	2	38	580 7012	Backrest Assembly	-	1
10	399 9001	Flat Washer	2	2	39	414 0174	Padded Backrest	1	1
11	363 0073	Screw	4	4	40	414 0123	Bombardier Crest	2	2
12	414 0042	R.H. Louvre	1	1	41	389 8017	Nut	4	4
12	414 0043	L.H. Louvre	1	1	42	414 0173	Label Super Olympique	2	-
13	390 4007	Pop Rivet	8	8			Electrique		
14	414 0120	Center Strip (Label)	1	1	42	414 0166	Label Super 370E	-	2
15	414 0102	R.H. Strip (Label)	1	1	43	414 0164	Backrest Strip	1	1
16	414 0103	L.H. Strip (Label)	1	1	44	413 9003	Contact Cement	1	1
17	517 0081	Windshield	1	1	45	414 0058	Center Backrest	1	1
18	517 0110	Windshield Protector	1	1	46	414 0059	Center Backrest Leatherette	1	1
19	517 0082	Windshield Moulding	1	1	47	580 2014	Rear Bumber with Grip	1	1
20	363 0073	Screw	10	10	48	414 0016	Grip	3	3
21	517 0076	R.H. Side Bumper	1	1	49	570 1704	Rubber Spacer	4	4
22	517 0077	L.H. Side Bumper	1	1	50	570 1706	Skew Spacer	2	2
23	570 1701	Front Rubber Bumper	1	1	51	327 3070	Screw	2	2
24	517 0088	Spacer	4	4	52	327 3072	Screw	2	2
25	517 0089	Hood Positioning Bracket	2	2	53	330 5101	Screw	2	2
26	391 0023	Flat Washer	4	4	54	380 6013	Nut	2	2
27	387 9002	Nut	4	4	55	386 6013	Nut	4	4
28	380 9022	Nut	2	2	56	391 0017	Washer	2	2
29	320 1132	Screw	4	4	57	414 0066	Epoxy Glue		

BOMBARDIER LTD.

- NOTES -

BOMBARDIER LTD.

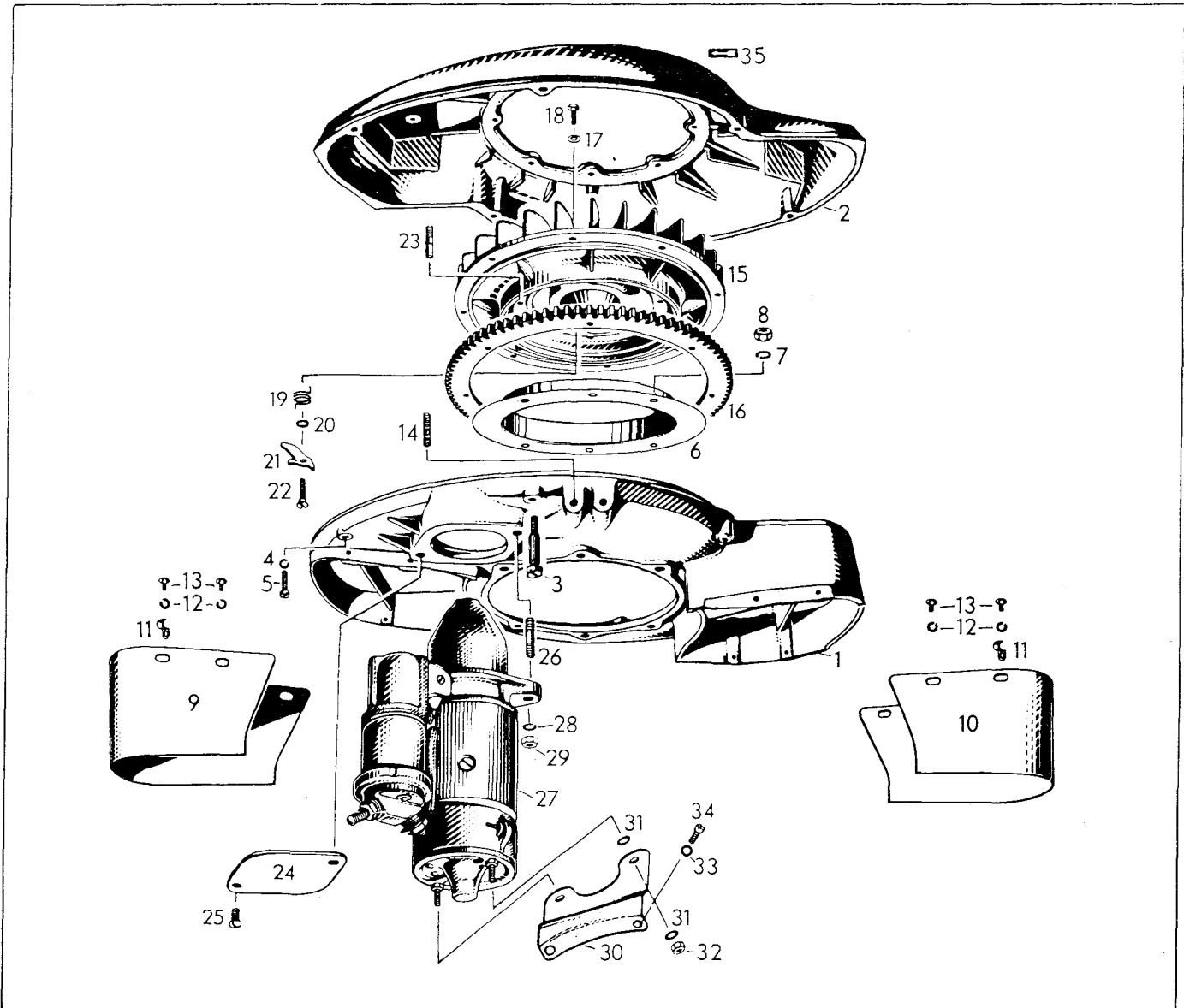
VALCOURT, QUEBEC, CANADA

Bombardier
ski-doo 1968
the light-footed snowmobile

ALPINE 300 cc

SUPER ALPINE 370 cc. E.

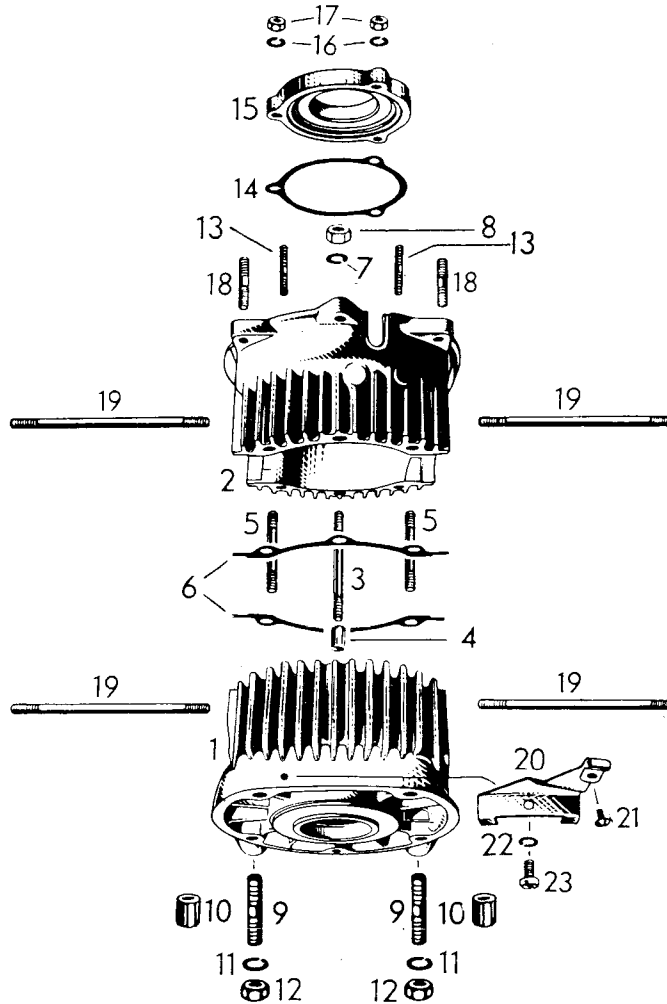
FAN COWL, FAN, ELECTRIC STARTER



ITEM NO.	PART NO.	DESCRIPTION	QUANTITY		ITEM NO.	PART NO.	DESCRIPTION	QUANTITY	
			370	370E				370	370E
1,2,3,4,5	402 0045	Fan Cowl Ass'y	1	1	17	402 0015	Lock Washer 6	-	8
1	402 0109	Fan Cowl	1	1	18	402 5012	Hex Screw M6 x 15	-	8
2	402 0110	Cover, Fan Cowl	1	1	19	402 4096	Spring, Centrifugal Weight	1	1
3	402 0070	Fit Bolt M6	2	2	20	402 7001	Washer, Bearing Screw	1	1
4	402 0015	Lock Washer 6	4	4	21	402 4093	Centrifugal Weight	1	1
5	402 0069	Cyl. Screw M6 x 28	4	4	22	402 4094	Bearing Screw M6	1	1
6	402 0084	Labyrinth Ring	1	1	23	402 4089	Stud M6 x 15, Starting Pulley	2	2
7	402 0016	Lock Washer 8	6	6	24	402 7055	Cover, Starter Flange	1	-
8	402 0018	Hex. Nut M8	6	6	25	402 2039	Flat Headed Screw M8 x 12	2	-
9	402 0086	Front Cylinder Cowl	1	1	26	402 2003	Stud M8 x 18, Electric Starter	-	2
10	402 0054	Rear Cylinder Cowl	1	1	27	402 4005	Electric Starter (+)	-	1
11	402 0060	Clamp, Ignition Cable	2	2	28	402 0016	Lock Washer 8	-	2
12	402 4024	Lock Washer 5	8	8	29	402 2041	Hex. Nut M8, for wrench 11 mm	-	2
13	402 5045	Flat Headed Screw M5 x 8	8	8	30	402 7054	Starter Bracket	-	1
14	402 2021	Stud M6 x 20, Coil Mounting Bracket	2	2	31	402 4022	Washer 5,3 mm	-	4
15	402 4108	Fan Ass'y	1	1	32	402 0105	Hex. Stop Nut M4	-	2
16	402 4011	Ring Gear 101 t.	-	1	33	402 0015	Lock Washer 6	-	2
					34	402 4028	Cyl. Screw M6 x 15	-	2
					35	402 0092	Direction Plate	1	1

BOMBARDIER LTD.

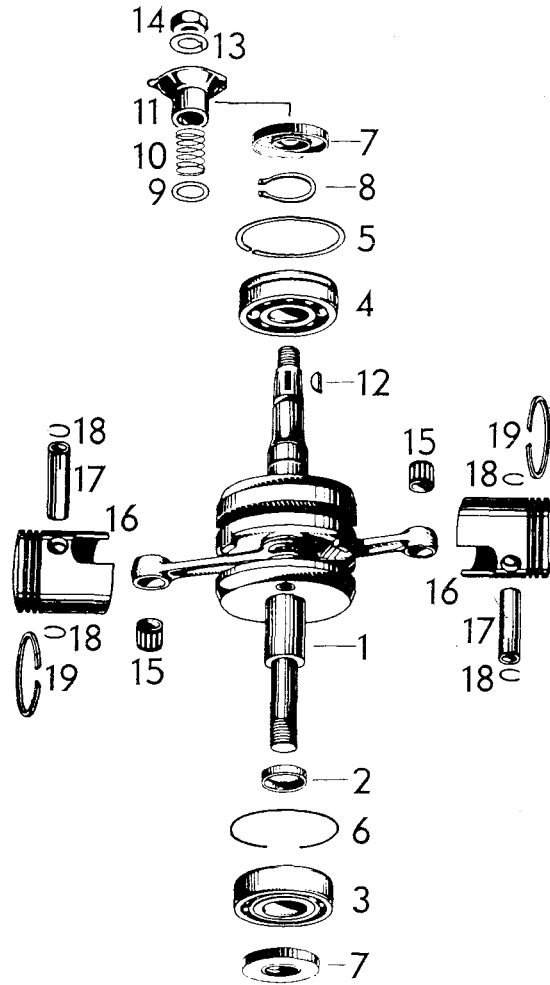
CRANKCASE



ITEM NO.	PART NO.	DESCRIPTION	QUANTITY		ITEM NO.	PART NO.	DESCRIPTION	QUANTITY	
			370	370E				370	370E
1,2,3	402 0004	Crankcase Ass'y	1	1	13	402 0047	Stud M6 x 18, Bearing Cover	3	3
4,5					14	402 2076	Gasket, Bearing Cover	1	1
3	402 0010	Stud M8 x 65	2	2	15	402 0111	Bearing Cover	1	1
4	402 1015	Dowel Tube	2	2	16	402 0015	Lock Washer 6	3	3
5	402 0007	Stud M8 x 56	4	4	17	402 2053	Hex. Nut M6	3	3
6	402 0013	Crankcase Gasket	2	2	18	402 2003	Stud M8 x 18, Fan Cowl	6	6
7	402 0016	Lock Washer 8	6	6	19	402 0077	Stud M8 x 138, Cylinder	4	4
8	402 0018	Hex. Nut M8	6	6	20,21	402 0106	Gas Cable Bracker Ass'y	1	1
9	402 0023	Stud M10 x 39	4	4	21	402 5045	Flat Headed Screw M5 x 8	1	1
10	402 0091	Distance Sleeve	4	4	22	402 0015	Lock Washer 6	1	1
11	402 0025	Lock Washer 10	4	4	23	402 0040	Cyl. Screw M6 x 10 (Engine without Electric Starter)	1	1
12	402 0026	Hex. Nut M10	4	4					

BOMBARDIER LTD.

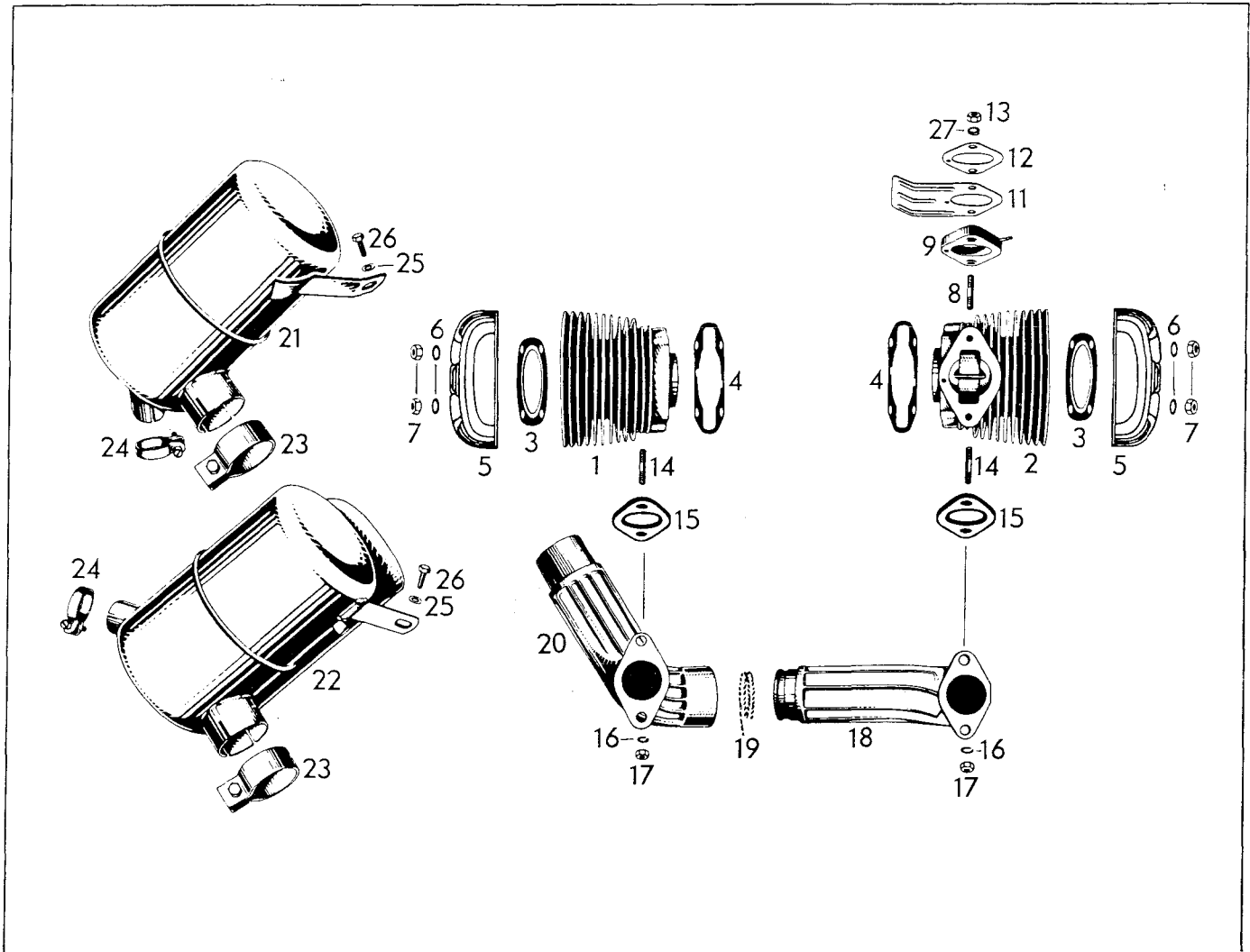
CRANKSHAFT-PISTON



ITEM NO.	PART NO.	DESCRIPTION	QUANTITY		ITEM NO.	PART NO.	DESCRIPTION	QUANTITY	
			370	370E				370	370E
1	402 1088	Crankshaft Ass'y	1	1	13	402 1040	Lock Washer, Crankshaft	1	1
2	402 1013	Distance Sleeve, Crankshaft	1	1	14	402 1043	Hex. Nut M18 x 1, 5, Crankshaft	1	1
3	402 1008	Roller Bearing N-306	1	1					
4,5	402 1007	Deep Groove Ball Bearing 6306-N	1	1	15	402 1033	Needle Cage, Gudgeon Pin	2	2
6	402 1041	Locking Ring 72, Roller Bearing	1	1	16	402 1044	Piston with 2 Rings, 62mm Ø, std.	2	2
7	402 1003	Oil Seal Basl 30-47-10	2	2		402 1045	Piston with 2 Rings, 62.5mm Ø, 1st Over Size	2	2
8	402 1068	Circlip 30 x 1, 5	1	1	17	402 1063	Gudgeon Pin	2	2
9	402 1026	Washer Breaker Cam Spring	1	1	18	402 1067	Circlip, Gudgeon Pin	4	4
10	402 1036	Spring, Breaker Cam	1	1	19	402 1081	Piston Ring 62mm Ø, std.	4	4
11	402 1087	Breaker Cam	1	1		402 1070	Piston Ring 62.5mm Ø, Over Size	4	4
12	402 1010	Woodruff Key 5 x 6, 5	1	1					

BOMBARDIER LTD.

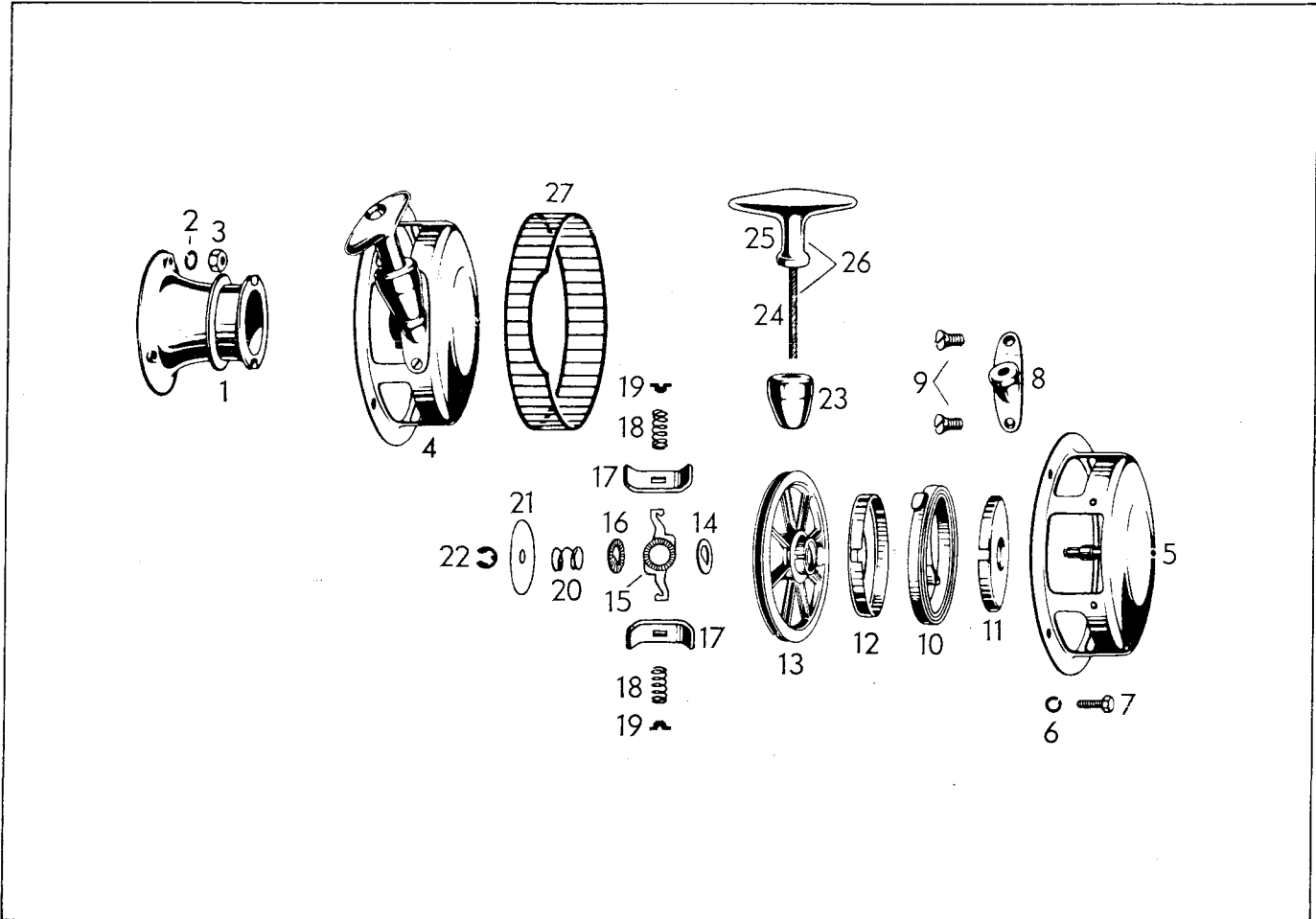
CYLINDER AND MUFFLER



ITEM NO.	PART NO.	DESCRIPTION	QUANTITY		ITEM NO.	PART NO.	DESCRIPTION	QUANTITY	
			370	370E				370	370E
1	402 2079	Front Cylinder	1	1	15	402 2043	Exhaust Gasket	2	2
2	402 2080	Rear Cylinder	1	1	16	402 0016	Lock Washer 8	2	2
3	402 2027	Gasket, Cylinder Head	2	2	17	402 0018	Hex. Nut M8	4	4
4	402 2074	Gasket, Cylinder Flange	2	2	18	402 2066	Exhaust Elbow	1	1
5	402 2073	Cylinder Head	2	2	19	402 2065	Asbesto String, 320 mm	1	1
6	402 0031	Washer, Cylinder Head	8	8	20	402 2067	Exhaust Elbow	1	1
7	402 0018	Hex. Nut M8	8	8	21	402 2023	Muffler Ass'y	1	-
8	402 2022	Stud M8 x 30, Intake Flange	2	2	22	402 2064	Muffler Ass'y	-	1
9	402 2090	Insulating Flange	1	1	23	402 2050	Clamp, Muffler	1	1
11	402 2075	Carburetor Shield	1	1	24	402 2049	Clamp, Muffler Outlet Tube	1	1
12	402 2078	Gasket, Intake Flange	1	1	25	402 0031	Washer	1	1
13	402 2041	Hex. Nut M8	2	2	26	402 2001	Hex. Screw M8 x 18	1	1
14	402 0030	Stud M8 x 21, 5	4	4	27	402 2072	Insulating Washer	2	2

BOMBARDIER LTD.

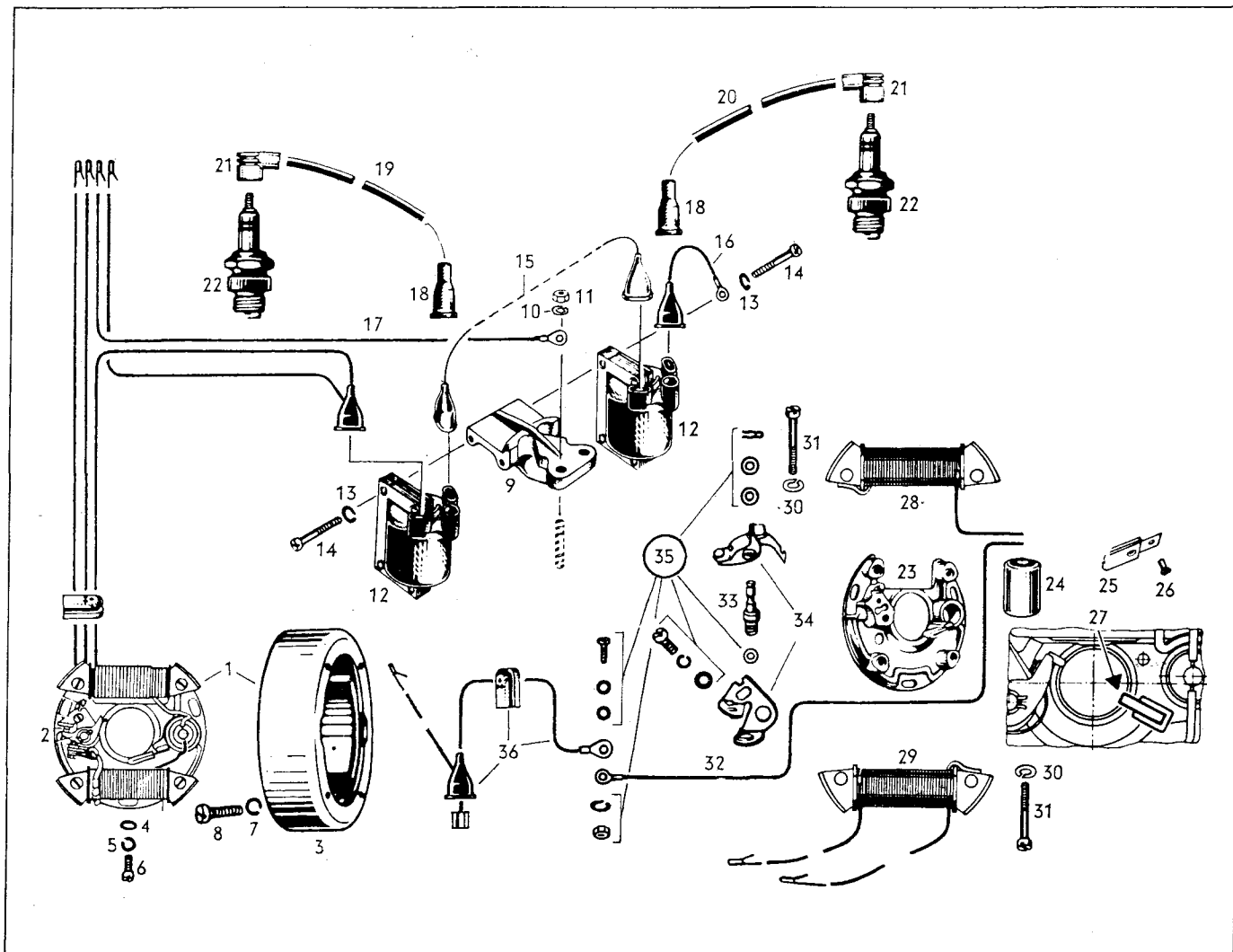
REWIND STARTER



ITEM NO.	PART NO.	DESCRIPTION	QUANTITY		ITEM NO.	PART NO.	DESCRIPTION	QUANTITY	
			370	370E				370	370E
1	402 5004	Starting Pulley	1	1	13	402 5015	Rope Sheave	1	1
2	402 0015	Lock Washer 6, Starting Pulley	3	3	14	402 5026	D - Washer	1	1
3	402 2053	Hex. Nut M6, Starting Pulley	3	3	15	402 5028	Pivot Arm	1	1
4	402 5041	Rewind Starter Ass'y	1	1	16	402 5027	Friction Washer	1	1
5	402 5008	Starter Housing	1	1	17	402 5029	Pawl	2	2
6	402 0015	Lock Washer 6	4	4	18	402 5030	Pawl Spring	2	2
7	402 3031	Hex. Screw M6 x 12	4	4	19	402 5031	Pawl Spring Stop	2	2
8	402 5009	Starter Stop	1	1	20	402 5032	Friction Spring	1	1
9	402 5037	Countersunk Screw M5 x 8	2	2	21	402 5033	Washer 38/6, 5/1	1	1
10	402 5022	Rewind Spring	1	1	22	402 5034	Circlip	1	1
11	402 5038	Spring Guide	1	1	23	402 5039	Rubber Buffer	1	1
12	402 5044	Cover, Spring Guide	1	1	24	402 5020	Starter Rope 1500 mm	1	1
10,11,12	402 5023	Spring Cartridge	1	1	25	402 5019	Starter Grip	1	1
					26	402 5021	Starter Rope with Grip	1	1
					27	402 0107	Plastic Protection Sleeve		

BOMBARDIER LTD.

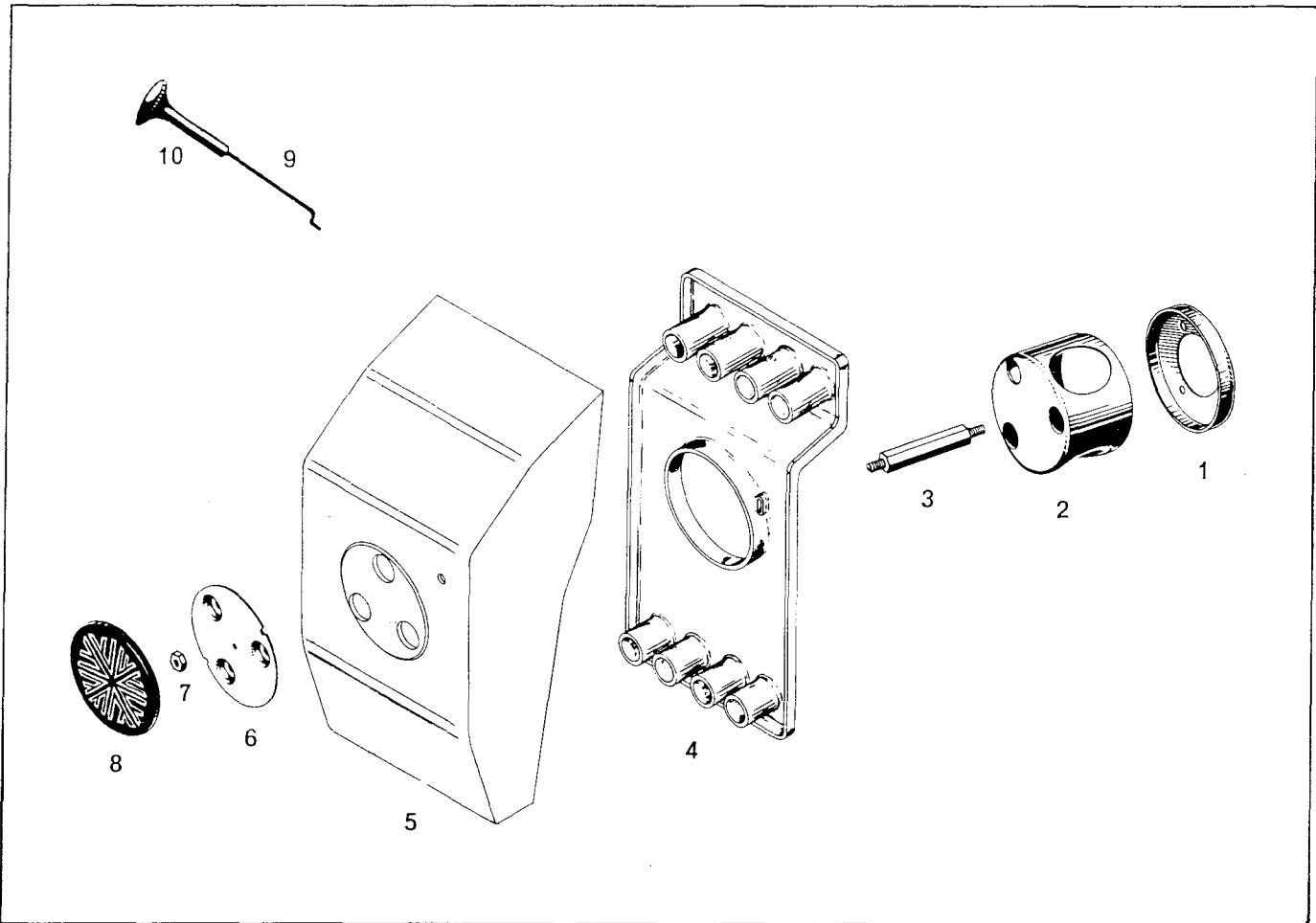
IGNITION UNIT



ITEM NO.	PART NO.	DESCRIPTION	QUANTITY		ITEM NO.	PART NO.	DESCRIPTION	QUANTITY	
			370	370E				370	370E
1	402 4004	Magneto Generator Ass'y 40 watts	1	-	19	402 7006	Ignition Cable 465 mm	1	1
1	402 4112	Magneto Gen. Ass'y 50 watts	-	1	20	402 7007	Ignition Cable 410mm	1	1
2	402 4015	Armature Plate Ass'y with Cable Grommet	1	-	21	402 4076	Spark Plug Protector	2	2
2	402 4113	Armature Plate Ass'y with Cable Grommet	-	1	22	402 4082	Spark Plug BOSCH W225 T1	2	2
3	402 4020	Magneto Ring	1	1	23	402 4037	Armature Plate alone	1	1
4	402 4022	Washer	3	3	24	402 4068	Condenser	1	1
5	402 4024	Lock Washer 5	3	3	25	402 4071	Lubricating Wick (to be riveted)	1	1
6	402 5001	Cyl. Screw M5 x 15	3	3	26	402 4072	Rivet, Lubricating Wick	1	1
7	402 0015	Lock Washer 6	4	4	27	402 4116	Lubricating Wick (to be inserted)	1	1
8	402 4028	Cyl. Screw M6 x 15	4	4	28	402 7013	Generator Coil	1	1
9	402 4114	Mounting Flange, Ignition Coils	1	1	29	402 7015	Lighting Coil with 1 Cable 430 mm and Contact Pin	1	-
10	402 0015	Lock Washer 6	2	2	29	402 4107	Lighting Coil with 2 Cables 400 mm and Contact Pins	-	1
11	402 2053	Hex. Nut M6	2	2	30	402 4024	Lock Washer 5	4	4
12	402 7008	Ignition Coil	2	2	31	402 4044	Cyl. Screw M5 x 28	4	4
13	402 4024	Lock Washer 5	4	4	32	402 4070	Cable, Condenser	1	1
14	402 7004	Cyl. Screw M5 x 22	4	4	33	402 4049	Pivot Pin, Contact Breaker	1	1
15	402 7010	Connection Cable Ass'y, Blue	1	1	34	402 4050	Contact and Breaker Points set	1	1
16	402 7011	Mass Cable Ass'y, Yellow	1	1	35	402 7016	Parts Set	1	1
17	402 7012	Mass Cable, Yellow, 175 mm	1	1	36	402 7017	Generator and Shorting Cables Ass'y	1	1
18	402 7003	Protection Cap, Ignition Coil - Cable	2	2					

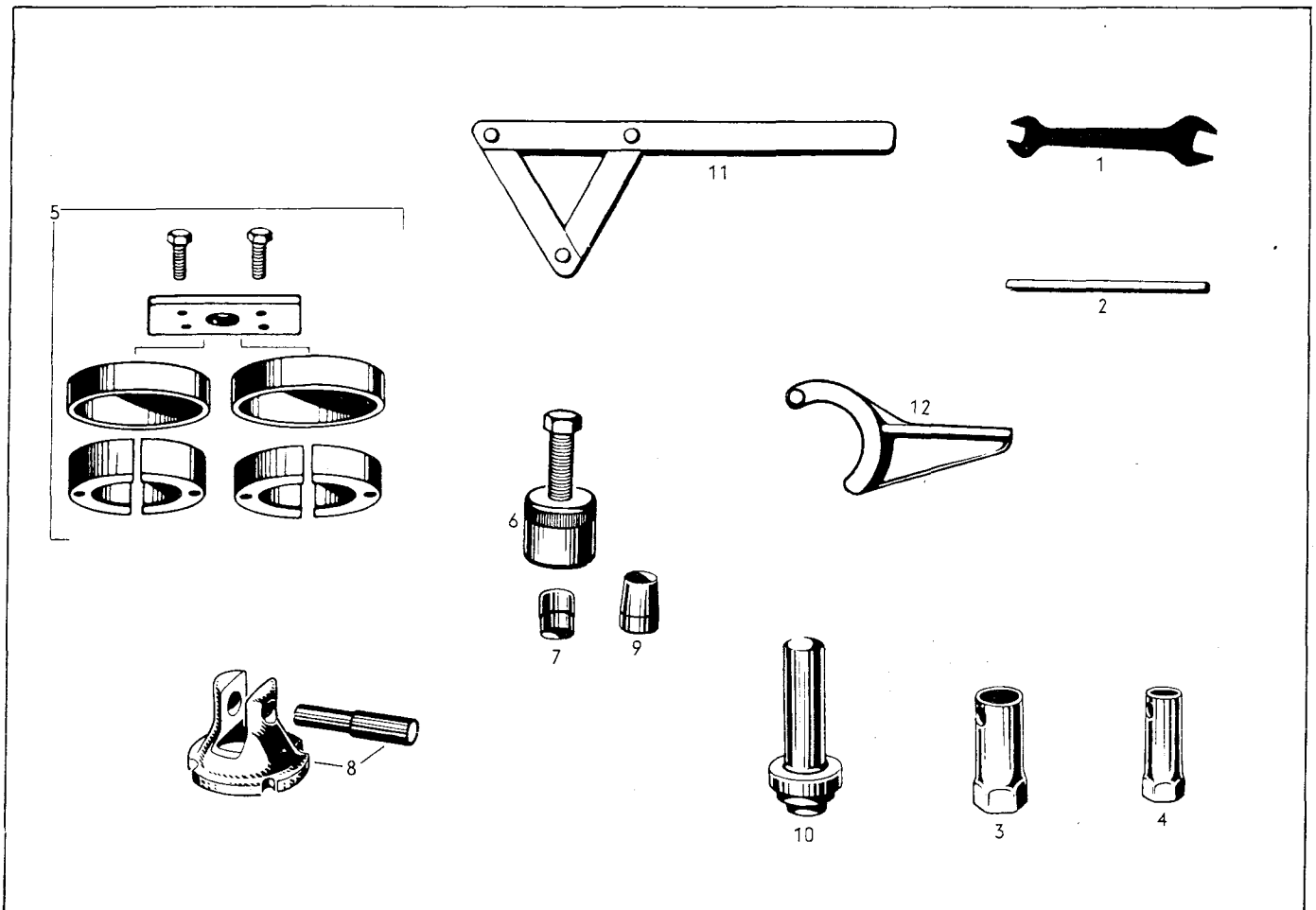
BOMBARDIER LTD.

SILENCER PARTS



ITEM NO.	PARTS NO.	DESCRIPTION	QUANTITY		ITEM NO.	PART NO.	DESCRIPTION	QUANTITY	
			370	370E				370	370E
1	402 3003	Silencer Bottom	1	1	6	402 3015	Retaining Disk	1	1
2	402 3007	Silencer Socket	1	1	7	386 6119	Lock Nut	3	3
3	402 3019	Collar Stud	3	3	8	402 3035	Silencer Cover	1	1
4	414 0171	Lower Half Intake Silencer	1	1	9	402 3022	Choker Rod	1	1
5	414 0170	Upper Half Intake Silencer	1	1	10	402 3020	Choker Botton	1	1

REPAIR TOOLS



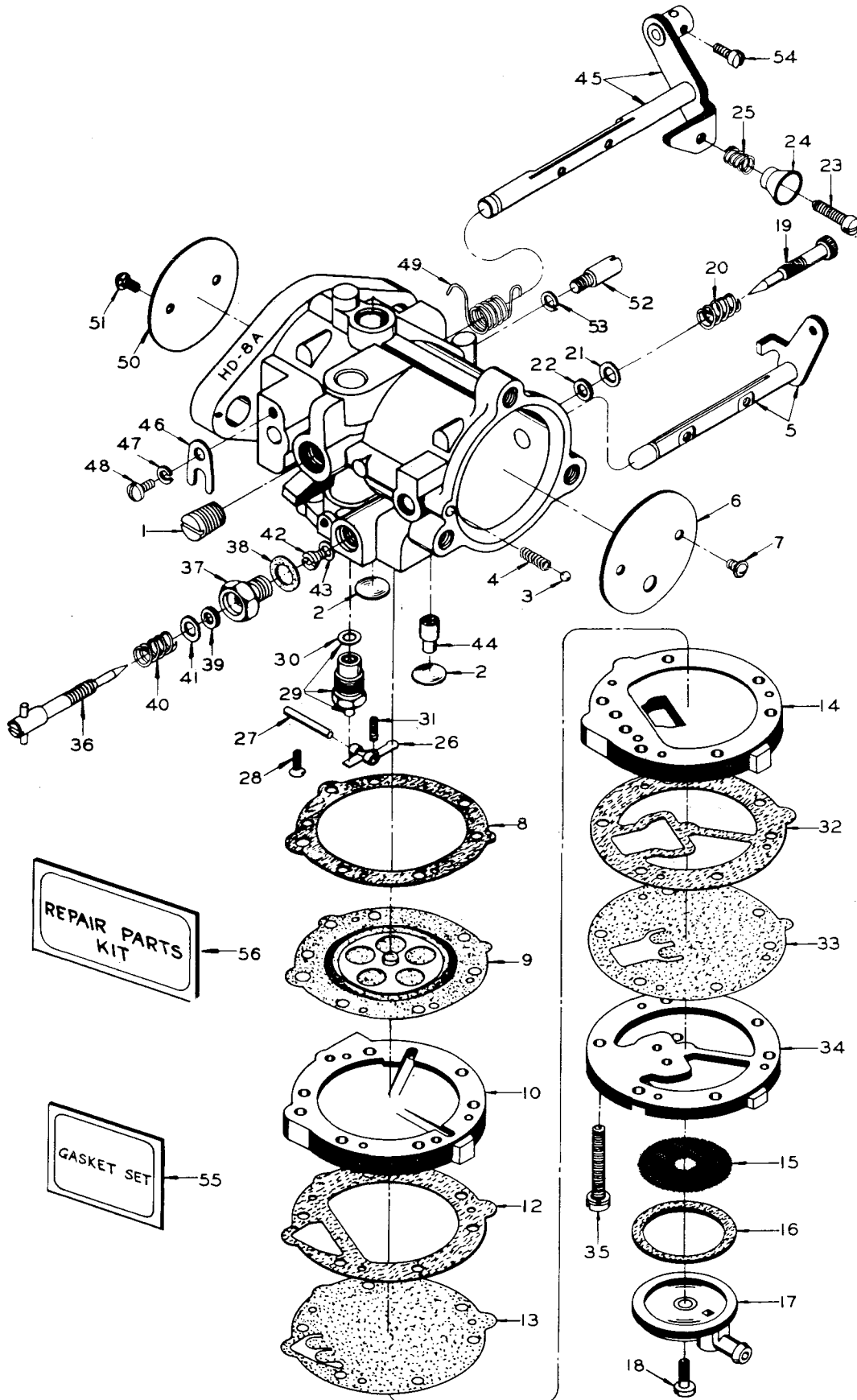
ITEM NO.	PARTS NO.	DESCRIPTION	QUANTITY		ITEM NO.	PART NO.	DESCRIPTION	QUANTITY	
			370	370E				370	370E
1,2,3,4	402 8027	Tool Set	1	1	6	402 8004	Puller for Flywheel	1	1
1	402 8023	Fork Wrench 10/13 mm	1	1	7	402 8005	Protection Cap 18mm	1	1
2	402 8039	Pin 8 x 130 mm, Socket Wrench	1	1	8	402 8014	Holder with Bolt, Connecting Rod	1	1
3	402 8026	Socket Wrench 22 mm Spark Plug	1	1	9	402 8035	Sleeve for Oil Seal	1	1
4	402 8024	Socket Wrench 13 mm	1	1	10	402 8037	Stamp to Mount Oil Seal	1	1
5	402 8033	Puller Ass'y for Bearings 6306 & N-306	1	1	11	402 8034	Wrench to hold Fan	1	1
					12	402 8038	Holder, Crankshaft	1	1

BOMBARDIER LTD.

- NOTES -

- NOTES -

CARBURATOR HD-8A for 370, 370 cc E.

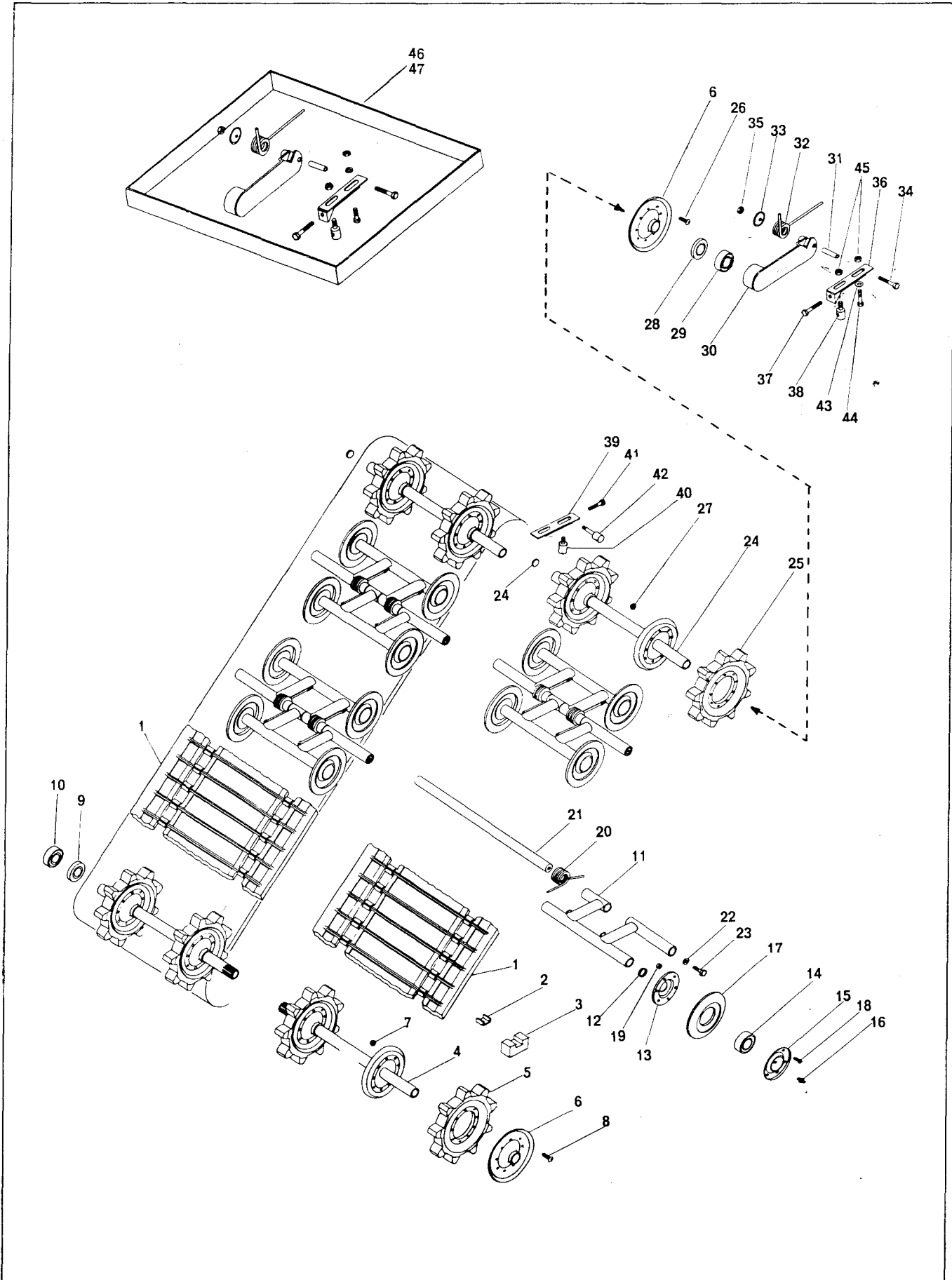


CARBURATOR HD-8A for 370, 370 cc E.

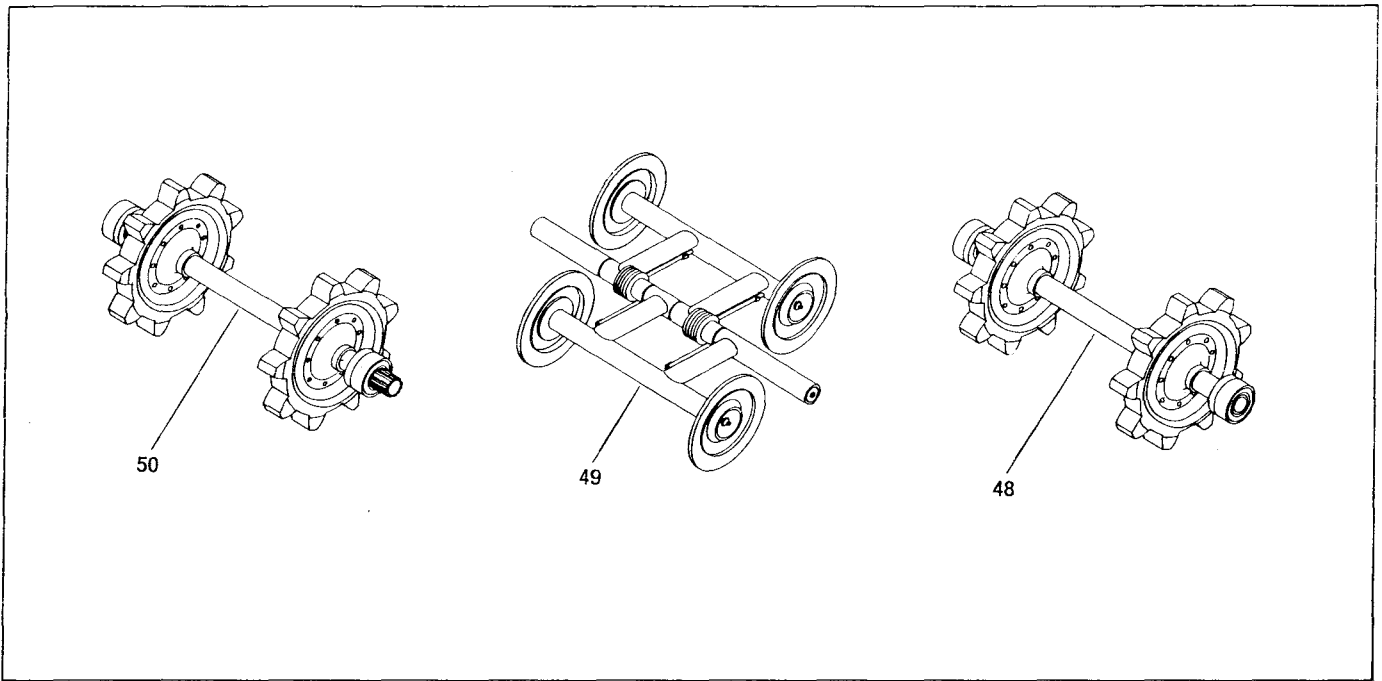
ITEM NO.	PART NO.	DESCRIPTION	ITEM NO.	PART NO.	DESCRIPTION
1	404 0164	Body Channel Plug Screw	30	404 0080	Inlet Seat Gasket
2	404 0011	*Body Channel Welch Plug (2)	31	404 0081	*Inlet Tension Spring
3	404 0013	Choke Friction Ball	32	404 0170	Inlet Valve Gasket
4	404 0014	Choke Friction Spring	33	404 0171	*Inlet Valve Diaphragm
5	404 0021	Choke Shaft & Lever	34	404 0172	Inlet Valve Body
6	404 0025	Choke Shutter	35	404 0173	Inlet Valve Body Screw & Lockwasher (6)
7	404 0028	Choke Shutter Screw (2)	36	404 0055	*High Speed Mixture Screw
8	404 0031	Diaphragm Gasket	37	404 0147	High Speed Mixture Screw Gland
9	404 0033	*Diaphragm	38	404 0144	High Speed Mixture Screw Gland Gasket
10	404 0165	Diaphragm Cover	39	404 0063	High Speed Mixture Screw Packing
11	404 0040	Flange Gasket	40	404 0068	*High Speed Mixture Screw Spring
12	404 0166	Fuel Pump Gasket	41	404 0058	High Speed Mixture Screw Washer
13	404 0167	*Fuel Pump Diaphragm	42	404 0141	*Main Fuel Jet (.120)
14	404 0168	Fuel Pump Body	43	404 0174	Main Fuel Jet Gasket
15	404 0049	*Fuel Strainer Screen	44	404 0089	Nozzle Check Valve
16	404 0050	Fuel Strainer Cover Gasket	45	404 0101	Throttle Shaft & Lever
17	404 0051	Fuel Strainer Cover	46	404 0104	Throttle Shaft Clip
18	404 0052	*Fuel Strainer Cover Ret. Screw	47	404 0105	Throttle Shaft Clip Lockwasher
19	404 0054	*Idle Mixture Screw	48	404 0106	Throttle Shaft Clip Ret. Screw
20	404 0068	*Idle Mixture Screw Spring	49	404 0110	*Throttle Shaft Return Spring
21	404 0058	Idle Mixture Screw Washer	50	404 0116	Throttle Shutter
22	404 0063	Idle Mixture Screw Packing	51	404 0028	*Throttle Shutter Screw (2)
23	404 0065	*Idle Speed Screw	52	404 0148	Throttle Stop Pin
24	404 0158	Idle Speed Screw Cup	53	404 0149	Throttle Stop Pin Lockwasher
25	404 0067	*Idle Speed Screw Spring	54	404 0135	*Throttle Wire Connection Screw
26	404 0069	*Inlet Control Lever	55	404 0175	*Gasket & Packing Set
27	404 0072	*Inlet Control Lever Pin	56	404 0176	Repair Parts Kit
28	404 0073	*Inlet Control Lever Pin Ret. Screw			
29	404 0169	*Inlet Needle, Seat & Gasket			

(*) Indicates contents of Repair Parts Kit

SUSPENSION



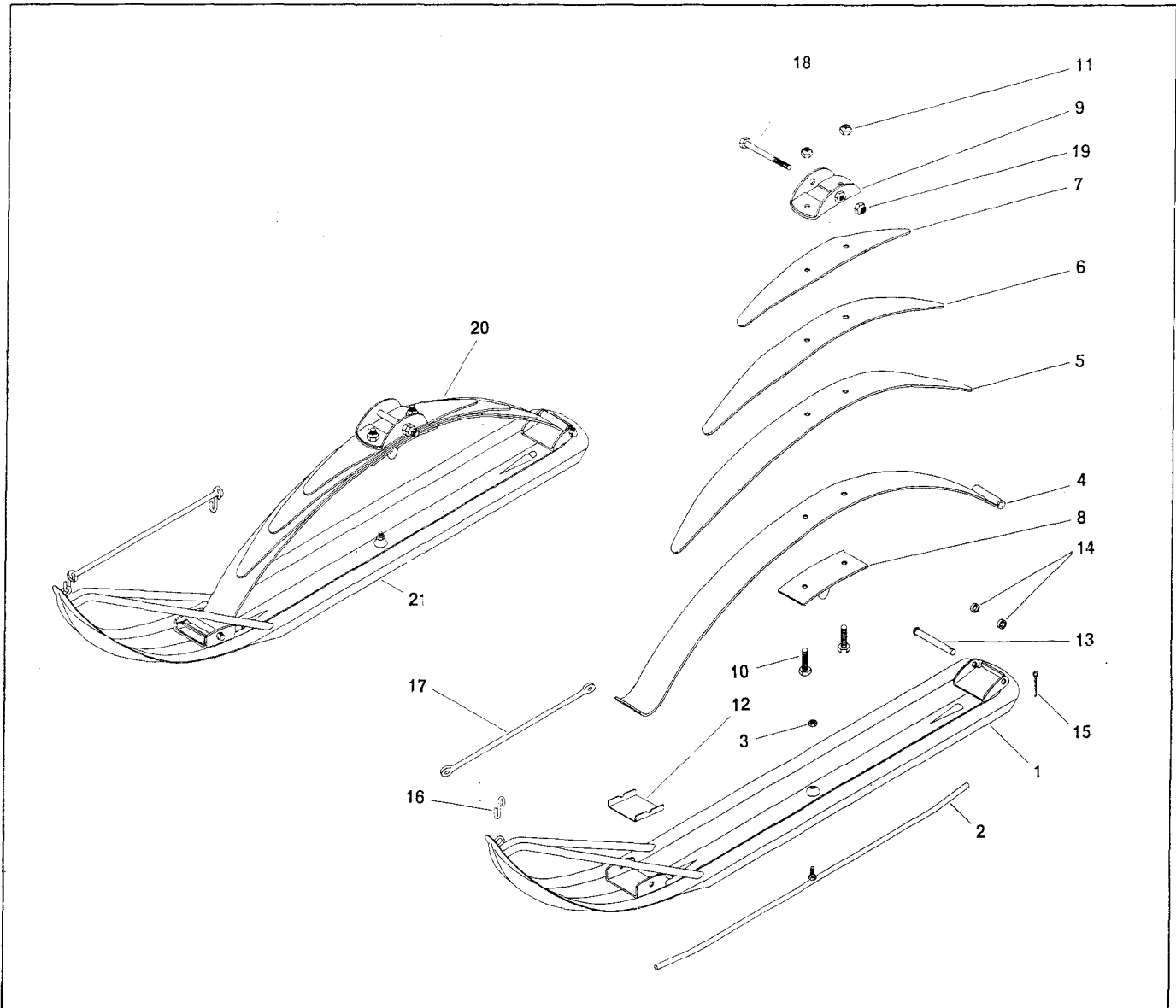
SUSPENSION



ITEM NO.	PART NO.	DESCRIPTION	QUANTITY		ITEM NO.	PART NO.	DESCRIPTION	QUANTITY	
			A.	S.A.				A.	S.A.
1	570 0002	Track	2	2	30	503 0031	L.H. Link Plate	2	2
2	570 0003	Insert (track)	—	—	30	503 0030	R.H. Link Plate		2
3	529 0003	Insert Block (tool)	—	—	31	503 0029	Adjuster Sleeve	4	4
4	501 0006	Drive Axle	2	2	32	503 0023	L.H. Spring	2	2
5	414 0001	Sprocket	4	4	32	503 0025	R.H. Spring	2	2
6	501 0005	Flange	8	8	33	503 0016	Retainer Washer	4	4
7	387 2019	Nut	18	18	34	300 1048	Bolt	2	2
8	320 9102	Bolt	18	18	35	386 6022	Nut	4	4
9	581 1017	Bearing Seal	4	4	36	503 0012	L.H. Bracket	1	1
10	405 4002	Bearing	4	4	36	503 0008	R.H. Bracket	1	1
11	502 0002	Wheel Support	12	12	37	309 8004	Bolt	2	2
12	502 0011	Cap	24	24	38	503 0027	Adjuster Eye Bolt	2	2
13	502 0005	Inner Flange	24	24	39	503 0011	L.H. Center Bracket	1	1
14	405 4002	Bearing	24	24	40	503 0028	Center Adjuster Eye Bolt	2	2
15	502 0006	Outer Flange	24	24	41	309 8016	Bolt	2	2
16	408 2001	Grease Fitting	24	24	42	503 0026	Buffer	2	2
17	570 0203	Wheel Tire	24	24	43	399 9007	Flat Washer	4	4
18	320 9062	Bolt	144	144	44	300 3041	Bolt	4	4
19	386 6013	Nut	144	144	45	386 7001	Nut	4	4
20	502 0010	Spring	12	12	46	581 0007	L.H. Adjustment Ass'y	2	2
21	502 0008	Cross Shaft	6	6	46	581 0008	R.H. Adjustment Ass'y	2	2
22	399 8001	Tooth Lock Washer	12	12	47	581 3001	L.H. Center Adjustment Ass'y	2	2
23	300 8043	Bolt	12	12	47	581 3003	R.H. Center Adjustment Ass'y	2	2
24	503 0002	Rear Hub	2	2	48	581 0006	Rear Hub Ass'y	2	2
25	570 0101	Sprocket	4	4	49	580 0005	Wheel Ass'y	6	6
26	320 9062	Bolt	18	18	50	580 7002	Drive Axle Ass'y	2	2
27	386 6013	Nut	18	18					
28	570 0301	Bearing Seal	4	4					
29	405 4004	Bearing	4	4					

BOMBARDIER LTD.

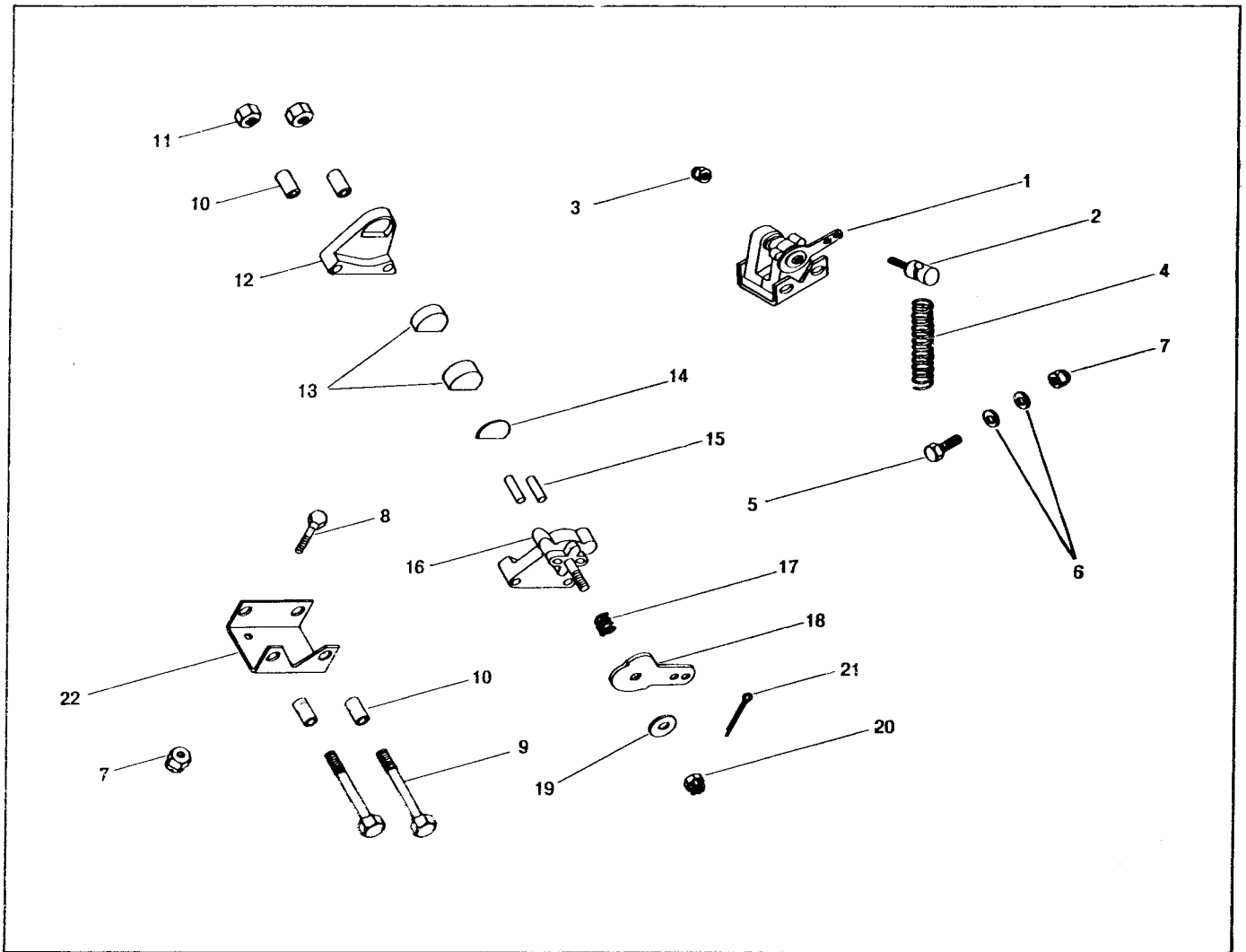
SKI



ITEM NO.	PART NO.	DESCRIPTION	QUANTITY		ITEM NO.	PART NO.	DESCRIPTION	QUANTITY	
			A.	S.A.				A.	S.A.
1	505 0004	Ski Runner	1	1	12	505 0033	Spring Slider Cushion	1	1
2	505 0002	Runner Shoe	1	1	13	505 0034	Retainer Pin	2	2
3	380 6019	Nut	1	1	14	505 0035	Washer	2	2
4	505 0018	Main Leaf Spring	1	1	15	371 0011	Cotter Pin	2	2
5	505 0014	First Auxiliary Spring	1	1	16	505 0022	Union Link	2	2
6	505 0013	Auxiliary Leaf Spring	1	1	17	570 0501	Ski Retaining Cable	1	1
7	505 0015	Auxiliary Leaf Spring	1	1	18	309 8007	Bolt	1	1
8	570 0502	Rebound Leaf Spring	1	1	19	386 6024	Nut	1	1
9	505 0007	Spring Coupler	1	1	20	582 3002	Leaf Spring Ass'y	1	1
10	300 0085	Bolt	2	2	21	580 3014	Ski Ass'y	1	1
11	386 6024	Nut	2	2					

BOMBARDIER LTD.

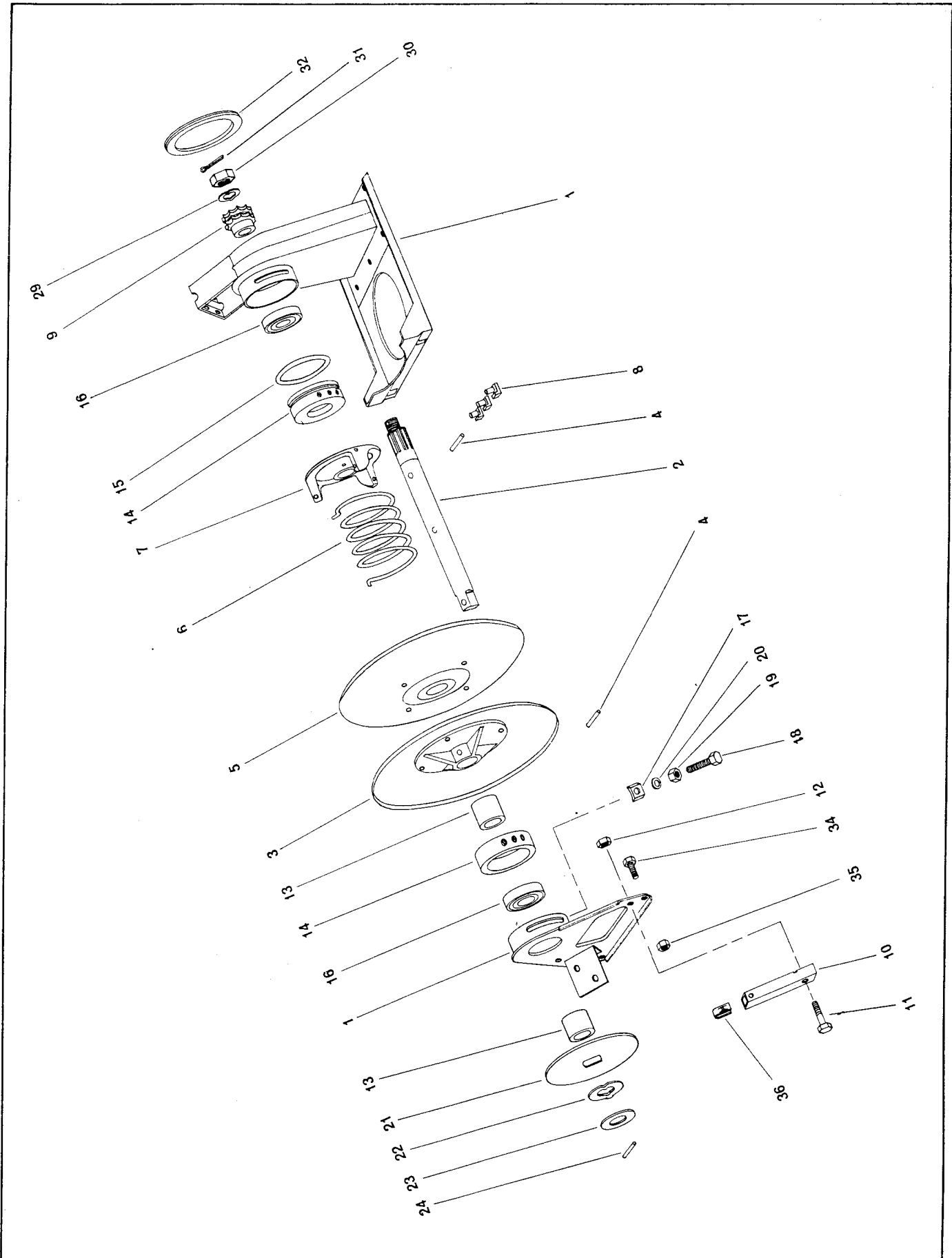
DISC BRAKE



ITEM NO.	PART NO.	DESCRIPTION	QUANTITY		ITEM NO.	PART NO.	DESCRIPTION	QUANTITY	
			A	S.A.				A	S.A.
1	560 7002	Disc Brake Unit	1	1	12	414 0069	Casting Puck Carrier Side	1	1
2	507 0027	Brake Cable Ferrule	1	1	13	414 0076	Puck (Carrier Side)	2	2
3	386 6119	Nut	1	1	14	414 0070	Washer (Back up Plate)	1	1
4	414 0064	Spring	1	1	15	414 0074	Pin (Push)	2	2
5	560 7001	Adjusting Screw	1	1	16	414 0068	Casting (Cam Side)	1	1
6	391 0021	Washer	2	2	17	414 0077	Compression Spring	1	1
7	386 6019	Nut	3	3	18	414 0073	Cam	1	1
8	300 0001	Bolt	2	2	19	391 0023	Washer	1	1
9	300 8050	Bolt	2	2	20	382 4022	Slotted Nut	1	1
10	414 0075	Bushing	4	4	21	371 0002	Cotter Pin	1	1
11	387 2022	Nut	2	2	22	560 7003	U-Bracket	1	1

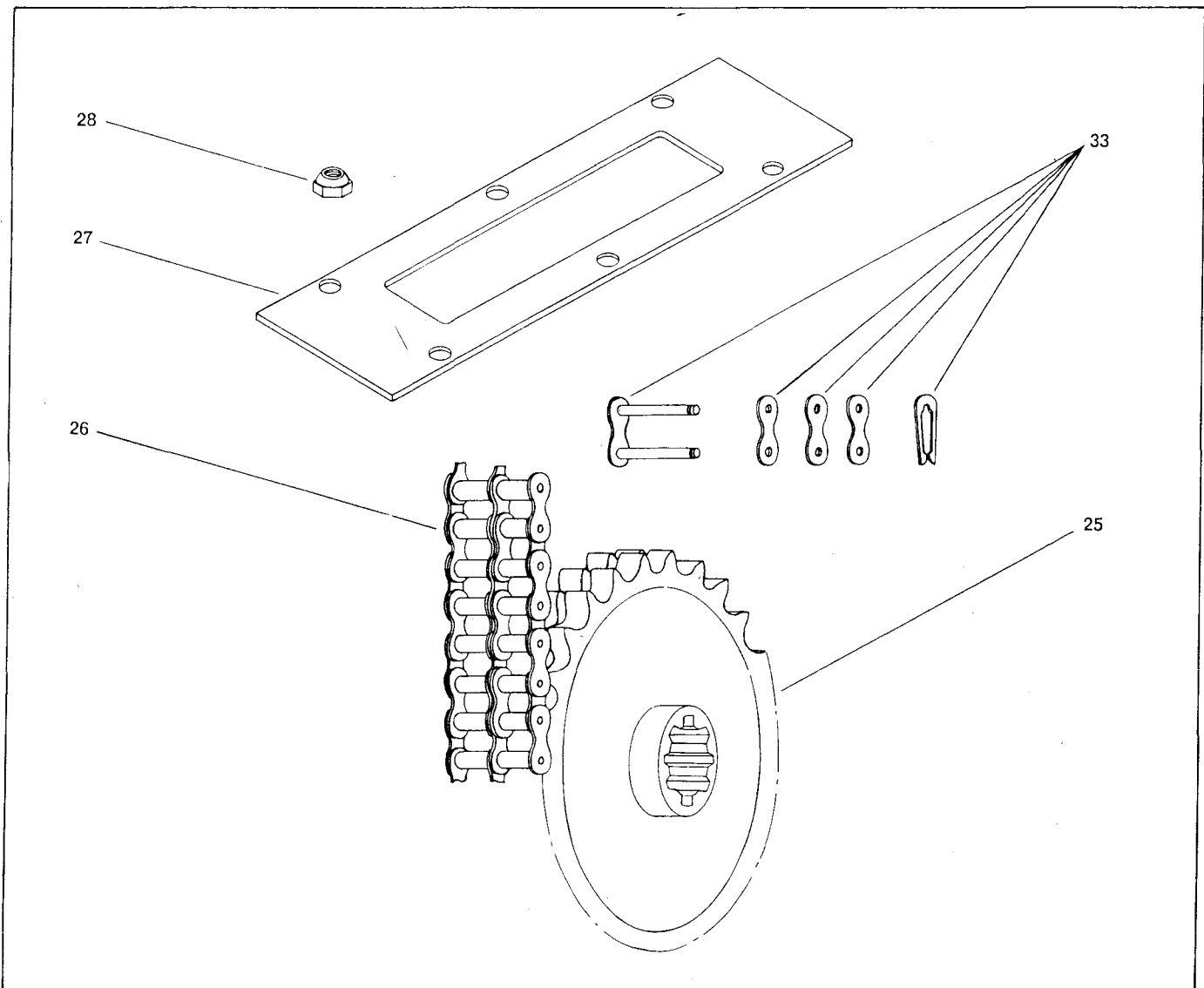
BOMBARDIER LTD.

CHAIN CASE - DRIVEN PULLEY



BOMBARDIER LTD.

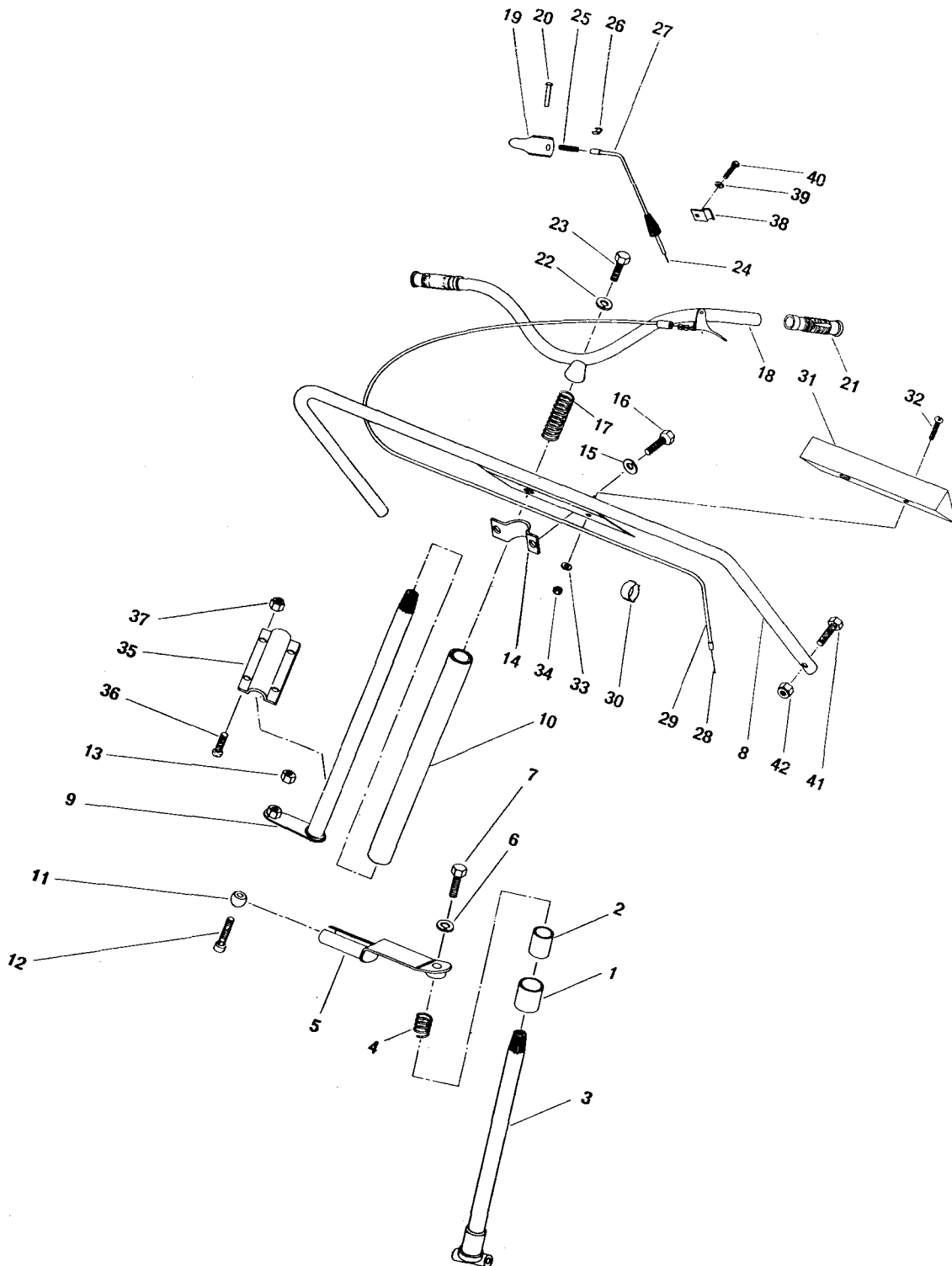
CHAIN CASE - DRIVEN PULLEY



ITEM NO.	PART NO.	DESCRIPTION	QUANTITY		ITEM NO.	PART NO.	DESCRIPTION	QUANTITY	
			A.	S.A.				A.	S.A.
1	504 0026	Chain Case and Bracket	1	1	20	391 0023	Flat Washer	2	2
2	504 1034	Shaft	1	1	21	504 1032	Disc.	1	1
3	504 1024	Fixed Pulley Half	1	1	22	417 0008	Spring Washer	1	1
4	372 1124	Roll Pin	2	2	23	504 1036	Retainer Washer	1	1
5	504 1030	Sliding Pulley Half	1	1	24	372 1124	Roll Pin	1	1
6	414 0138	Release Spring	1	1	25	504 0014	Sprocket (39 Teeth D.)	1	1
7	504 1035	Outer Cam	1	1	26	560 4006	Driving Chain	-	1
8	414 0126	Slider Shoe	3	3	26	412 1005	Driving Chain	1	-
9	504 0027	Sprocket (13 Teeth D.)	-	1	27	570 0408	Gasket	1	1
9	504 0028	Sprocket (12 Teeth D.)	1	-	28	387 2022	Nut	8	8
10	518 0084	Pulley Guard Holder	1	1	29	417 0009	Spring Washer	1	1
11	300 0004	Bolt	1	1	30	389 8024	Nut	1	1
12	386 6019	Nut	1	1	31	371 0032	Cotter Pin	1	1
13	504 1031	Spacer	2	2	32	570 0403	Inspection Cover	1	1
14	504 1033	Tensioner	2	2	33	412 6006	Offset Section Link	-	-
15	406 0003	O - Ring	1	1	34	417 0025	Bolt	2	2
16	405 4004	Bearing	2	2	35	417 0029	Nut	2	2
17	414 0139	Segment	2	2	36	389 8021	Speed Nut	3	3
18	303 1044	Cap Screw	2	2		581 4001	Driven Pulley Ass'y	1	1
19	389 9004	Nut	2	2					

BOMBARDIER LTD.

CONTROL PARTS

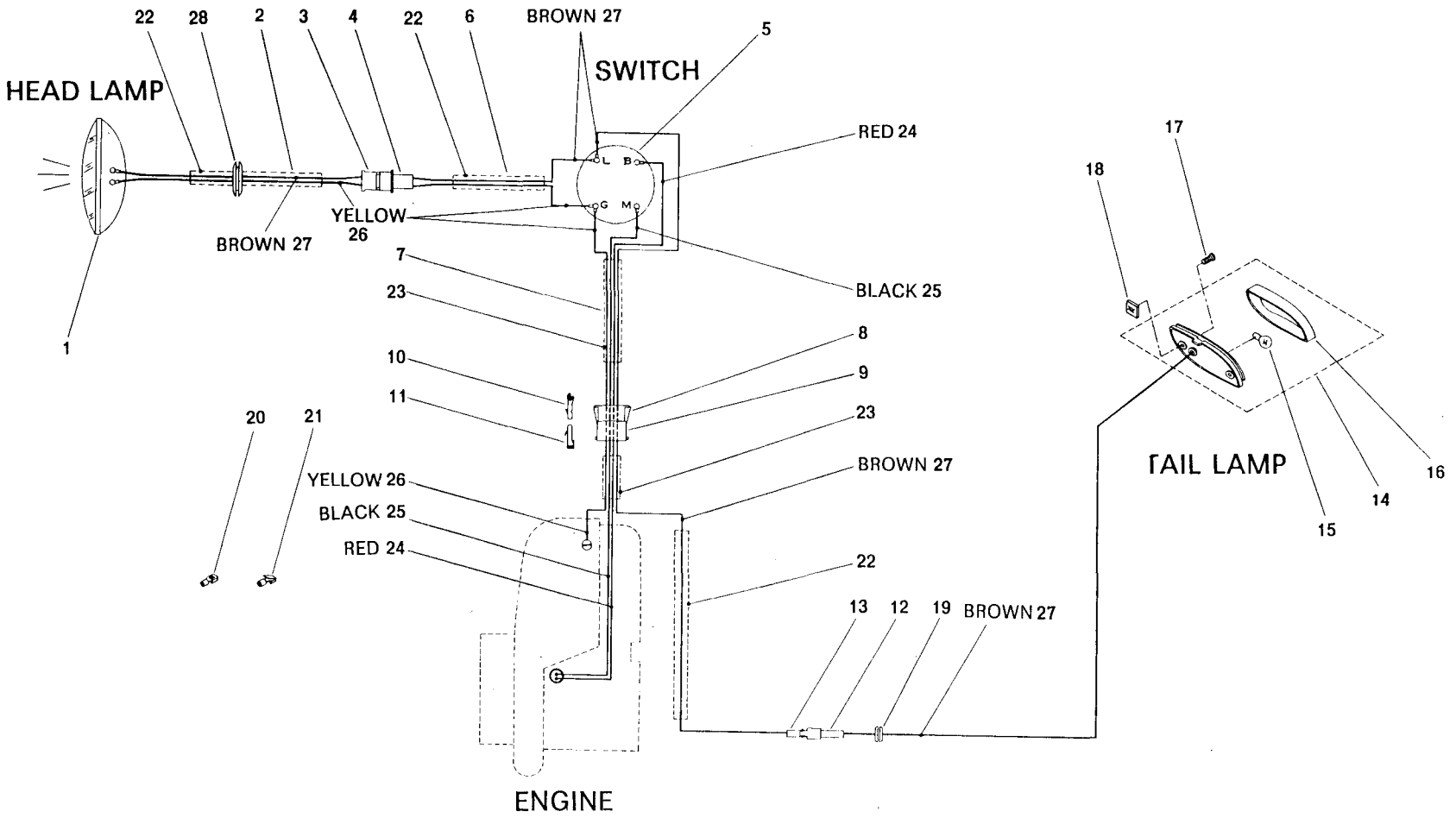


BOMBARDIER LTD.

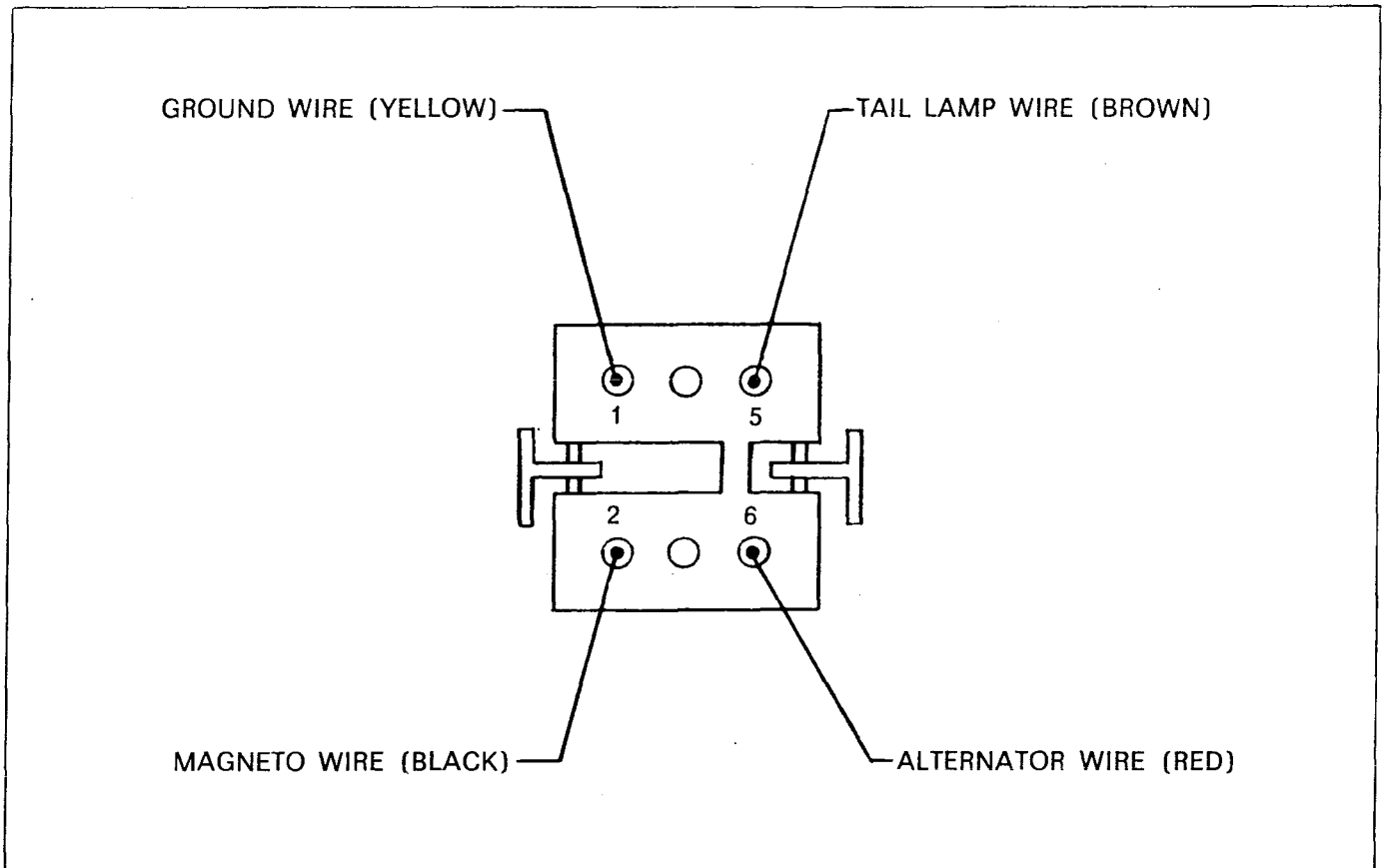
CONTROL PARTS

ITEM NO.	PART NO.	DESCRIPTION	QUANTITY		ITEM NO.	PART NO.	DESCRIPTION	QUANTITY	
			A.	S.A.				A.	S.A.
1	506 0042	Bushing	1	1	23	300 3126	Bolt	1	1
2	506 0029	Bushing	3	3	24	510 0018	Throttle Cable	-	1
3	506 0050	Ski Leg	1	1	25	414 0082	Cable Protector	2	2
4	414 0127	Spring	1	1	26	409 0012	Parallel Connector	3	3
5	506 0051	Steering Arm	1	1	27	580 1020	Throttle Housing	1	-
6	392 0026	Lock Washer	1	1	27	581 4005	Throttle Housing	-	1
7	300 0123	Bolt	1	1	28	507 0017	Brake Cable	1	1
8	506 0052	Upper Column	1	1	29	581 4008	Brake Housing	1	1
9	506 0053	Steering Shaft	1	1	30	414 0065	Clip	2	2
10	506 0054	Steering with Column	1	1	31	414 0146	Key Scoop	1	1
11	414 0169	Ball Bushing	1	1	32	329 7102	Bolt	-	1
12	560 6003	Bolt	1	1	33	399 9011	Flat Washer	-	1
13	386 6026	Nut	1	1	34	386 6019	Nut	-	1
14	506 0037	U. Clamp	1	1	35	506 0056	Retainer Plate	1	1
15	392 0019	Lock Washer	2	2	36	320 9063	Bolt	4	4
16	300 0004	Bolt	2	2	37	386 6013	Nut	4	4
17	414 0172	Spring	1	1	38	507 0028	Housing Clip	1	1
18	506 0011	Handle	1	1	39	399 8007	Lock Washer	1	1
19	506 0041	Hand Handle	2	2	40	300 1000	Bolt	1	1
20	390 9001	Rivet	2	2	41	300 0004	Bolt	2	2
21	414 0002	Grip	2	2	42	386 6019	Nut	2	2
22	399 8006	Lock Washer	1	1					

BOMBARDIER LTD.

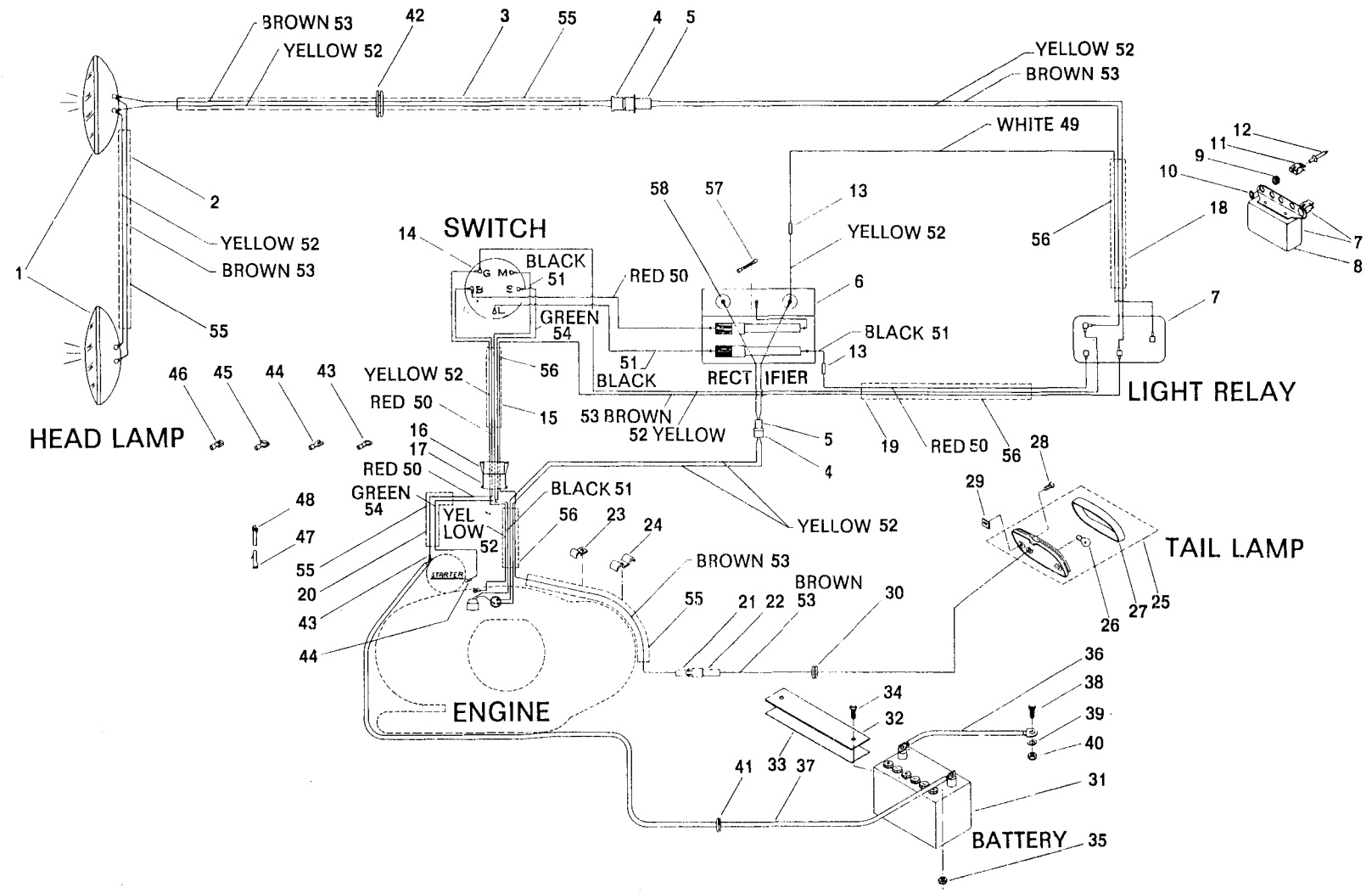


ELECTRICAL 300

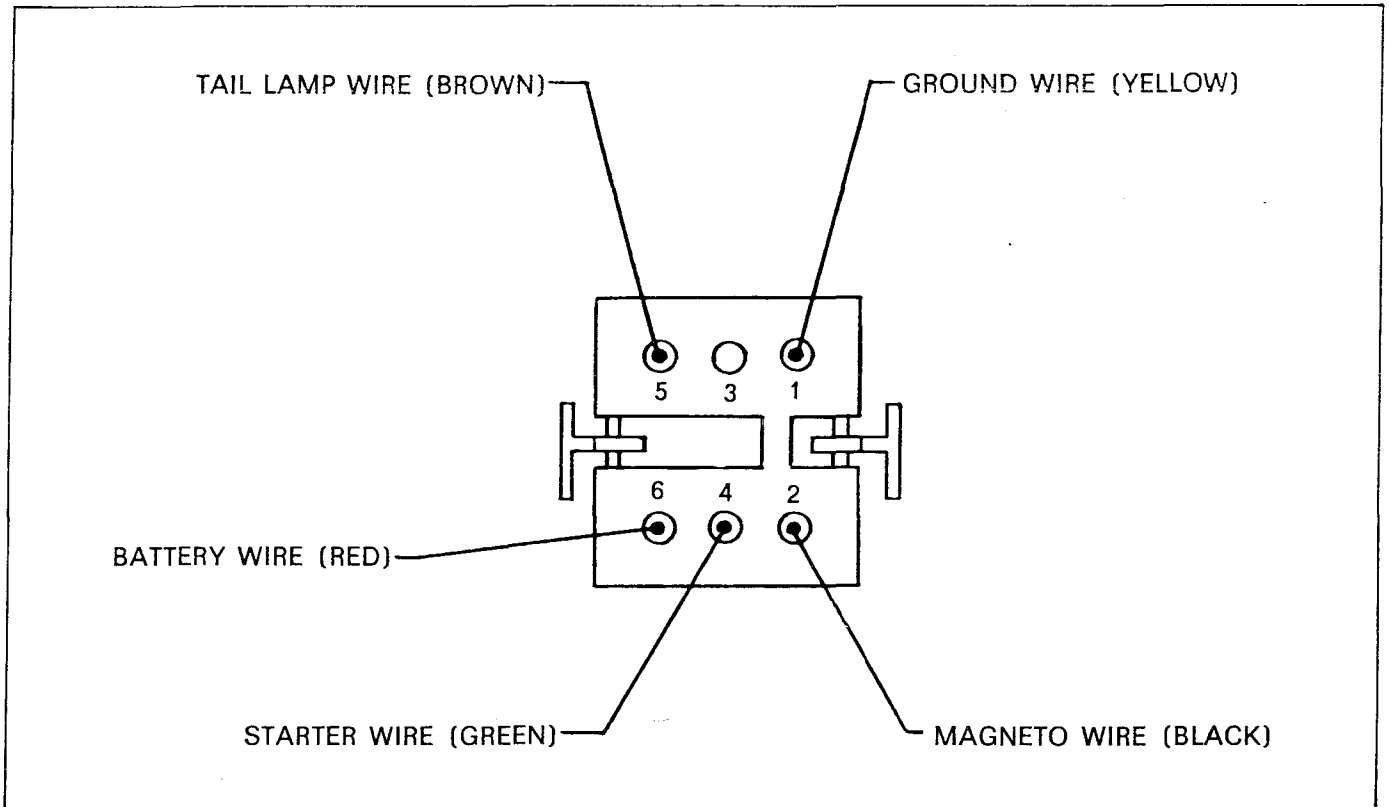


ITEM NO.	PART NO.	DESCRIPTION	QUANTITY A.	ITEM NO.	PART NO.	DESCRIPTION	QUANTITY A.
1	410 6008	Sealed Beam	1	14	580 4008	Tail Lamp Ass'y	1
2	515 0134	Housing Wire Ass'y	1	15	410 5006	Tail Lamp Bulb	2
3	409 2005	Pin Housing Connector (2 cir.)	1	16	410 9019	Tail Lamp Lens	1
4	409 2006	Socket Housing Connector (2 cir.)	1	17	320 1061	Bolt	2
5	410 1002	Light & Ignition Switch	1	18	386 6013	Nut	2
6	515 0132	Housing Wire Ass'y	1	19	410 9016	Grommet	1
7	515 0128	Housing Wire Ass'y	1	20	409 0011	Female Tab Socket	6
8	409 2002	Socket Housing Connector (6 cir.)	1	21	409 0013	Wire Range Adaptor	2
9	409 2001	Pin Housing Connector (6 cir.)	1	22	409 9001	Housing 3/16" (Mult 12")	-
10	409 0004	Socket Contactor	7	23	409 9002	Housing 5/16" (Mult 12")	-
11	409 0005	Pin Contactor	4	24	409 6011	Wire Red (Mult 12")	-
12	409 2004	Socket Housing Connector (1 cir.)	1	25	409 6012	Wire Black (Mult 12")	-
13	409 2003	Pin Housing Connector (1 cir.)	1	26	409 6013	Wire Yellow (Mult 12")	-
				27	409 6014	Wire Brown (Mult 12")	-
				28	570 1503	Grommet	1
					414 0078	Key Holder	-

BOMBARDIER LTD.



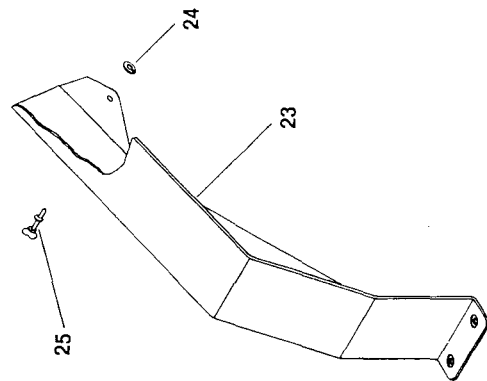
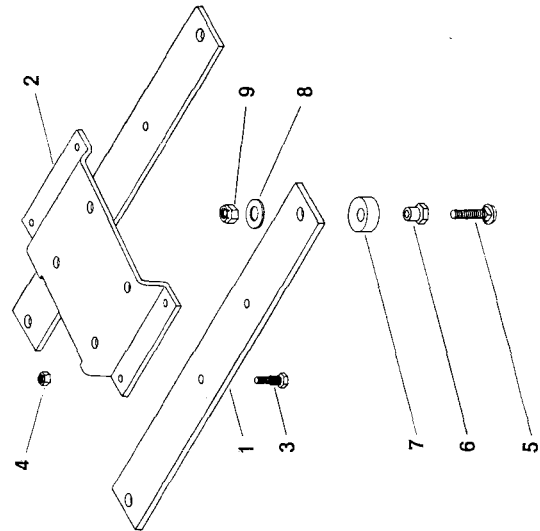
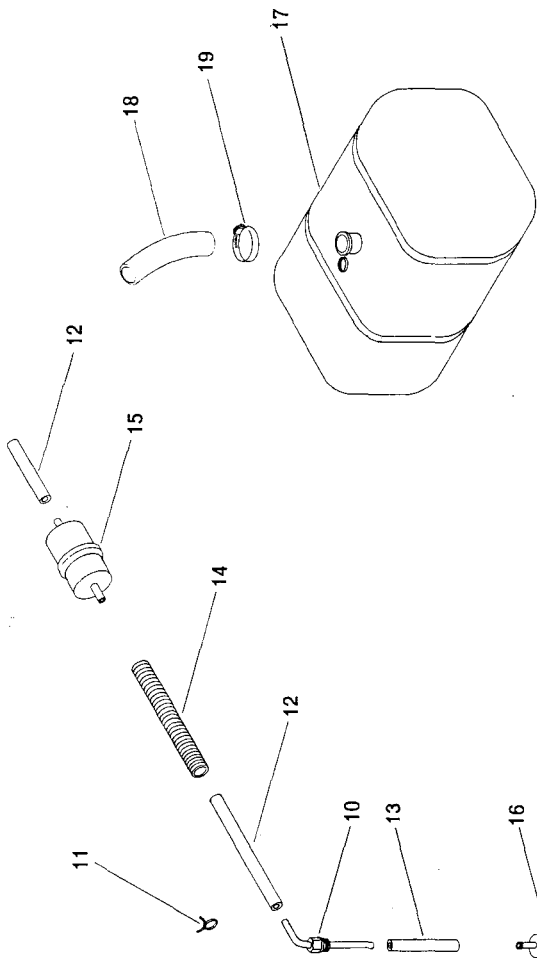
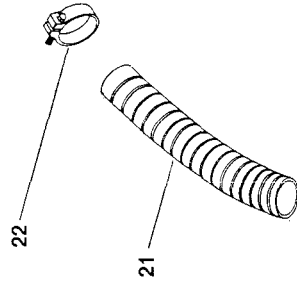
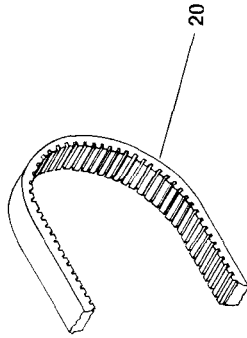
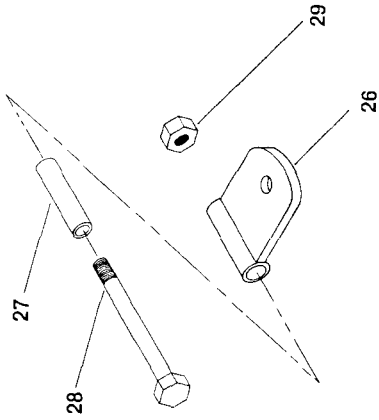
ELECTRICAL 370E



ITEM NO.	PART NO.	DESCRIPTION	QUANTITY	ITEM NO.	PART NO.	DESCRIPTION	QUANTITY
			S.A.				S.A.
1	410 6009	Sealed Beam	2	28	320 1061	Bolt	2
2	515 0130	Housing Wire Ass'y	1	29	386 6013	Nut	2
3	515 0131	Housing Wire Ass'y	1	30	410 9016	Grommet	1
4	409 2005	Pin Housing Connector (2 cir.)	2	31	410 3002	Battery 12 volts	1
5	409 2006	Socket Housing Connector (2 cir.)	2	32	515 0016	Retaining Bar	1
6	410 9026	Rectifier Plate Ass'y	1	33	515 0015	Protector Strip	1
7	581 2104	Light Relay Ass'y	1	34	320 1102	Bolt	2
8	410 9029	Light Relay	1	35	386 6019	Nut	2
9	410 9016	Grommet	2	36	409 6006	Ground Battery Wire	1
10	399 9003	Washer	2	37	409 6008	Current Battery Wire	1
11	410 9030	Clip	2	38	323 2102	Bolt	1
12	390 4001	Pop Rivet	2	39	391 0021	Flat Washer	1
13	409 2007	Insolated Tab Receptacle	2	40	386 6019	Nut	1
14	410 1003	Ignition Switch	1	41	570 1502	Grommet	1
15	515 0124	Housing Wire Ass'y	1	42	570 1503	Grommet	1
16	409 2002	Socket Housing Connector (6 cir.)	1	43	409 0010	Insulated Terminal	1
17	409 2001	Pin Housing Connector (6 cir.)	1	44	409 0009	Insulated Terminal	1
18	515 0133	Housing Wire Ass'y	1	45	409 0013	Wire Range Adaptor	6
19	515 0126	Housing Wire Ass'y	1	46	409 0011	Female Tab Socket	13
20	515 0127	Housing Wire Ass'y	1	47	409 0005	Pin Contactor	6
21	409 2003	Pin Housing Connector (1 cir.)	1	48	409 0004	Socket Contactor	8
22	409 2004	Pin Housing Connector (1 cir.)	1	49	409 6010	Wire White (Mult 12'')	-
23	507 0028	Housing Clip	1	50	409 6011	Wire Red (Mult 12'')	-
24	515 0035	Housing Clip	1	51	409 6012	Wire Black (Mult 12'')	-
25	580 4008	Tail Lamp Ass'y	1	52	409 6013	Wire Yellow (Mult 12'')	-
26	410 5006	Tail Lamp Bulb	2	53	409 6014	Wire Brown (Mult 12'')	-
27	410 9019	Tail Lamp Lens	1	54	409 6015	Wire Green (Mult 12'')	-
				55	409 9001	Housing 3/16'' (Mult 12'')	-
				56	409 9002	Housing 5/16'' (Mult 12'')	-
				57	410 9023	Fuse 9 AMP - 35 volts	-
				58	410 9024	Diode	-
					410 3003	Acid Container	-
					414 0078	Key Holder	-

BOMBARDIER LTD.

MISCELLANEOUS

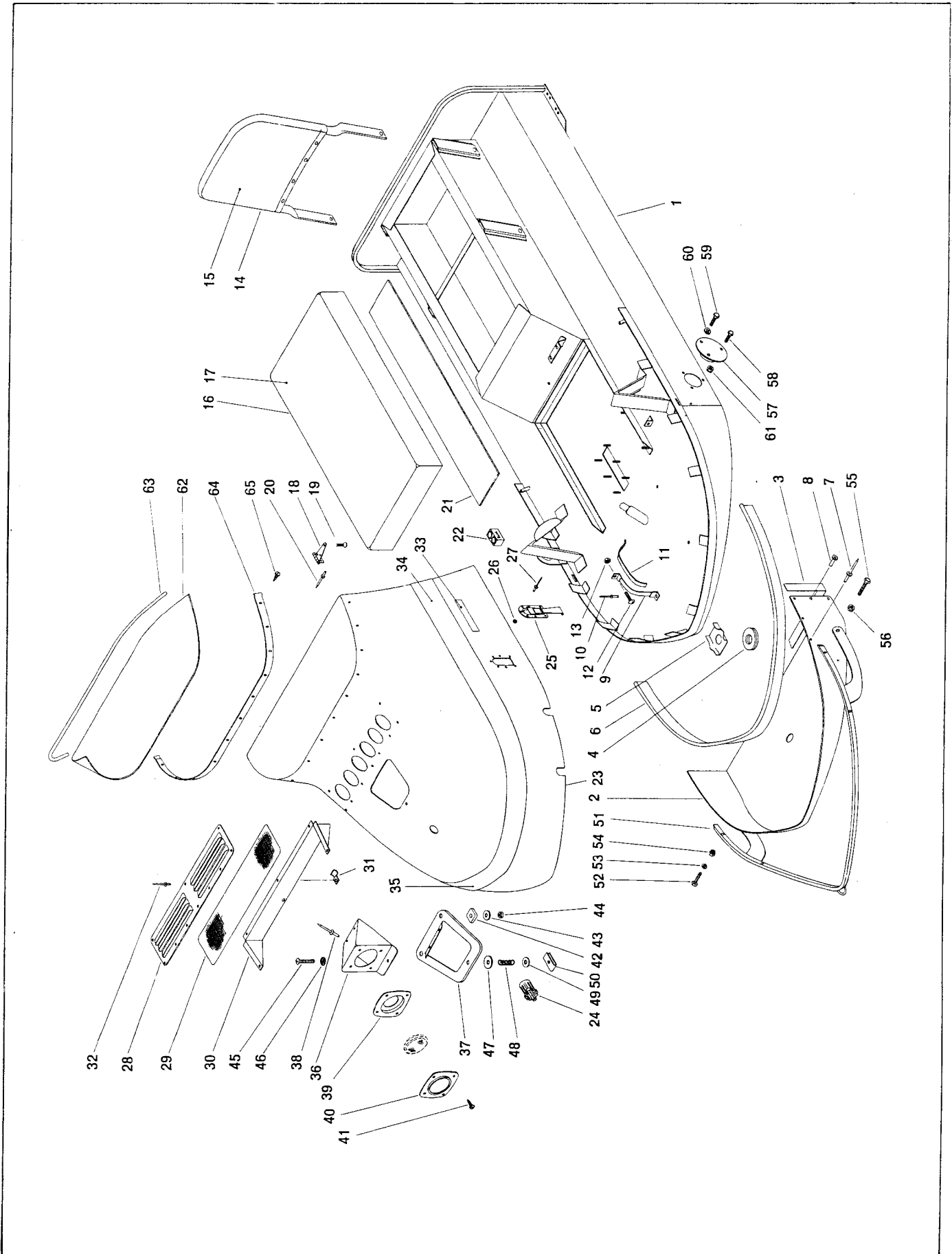


MISCELLANEOUS

ITEM NO.	PART NO.	DESCRIPTION	QUANTITY		ITEM NO.	PART NO.	DESCRIPTION	QUANTITY	
			A.	S.A.				A.	S.A.
1	512 0012	Engine Support	2	2	15	412 0112	Fuel Filter	1	-
2	512 0017	Engine Bracket	1	-	16	414 0106	Fuel Filter	1	1
2	512 0023	Engine Bracket	-	1	17	414 0167	Fuel Tank	1	1
3	309 8012	Cap Screw	4	4	18	513 0022	Filler Pipe	1	1
4	386 6022	Nut	4	4	19	414 0080	Filler Gear Clamp	1	1
5	360 8007	Carriage Bolt	4	4	20	570 0411	Drive Belt	1	1
6	512 0011	Threaded Spacer Bushing	4	4	21	514 0029	Exhaust Pipe	1	-
7	570 1202	Insulator Rubber	4	4	21	514 0020	Exhaust Pipe	-	1
8	399 9006	Flat Washer	4	4	22	402 2049	Clamp	1	1
9	386 6024	Nut	4	4	23	561 7001	Pulley Guard	1	1
10	513 0013	Fuel Line Adaptor	1	1	24	399 8008	Lock Ring	3	3
11	414 0128	Hose Clamp	4	4	25	389 8020	Wing Nut	3	3
12	414 0130	Fuel Line (In Length)	-	-	26	517 0055	Pivoting Attachment	1	1
13	414 0182	Adaptor Fuel Line (In Length)	-	-	27	517 0056	Cross Shaft	1	1
14	414 0178	Insulating Line (In Length)	-	-	28	300 0089	Bolt	1	1
15	414 0112	Fuel Filter	-	1	29	386 6024	Nut	1	1

BOMBARDIER LTD.

BODY



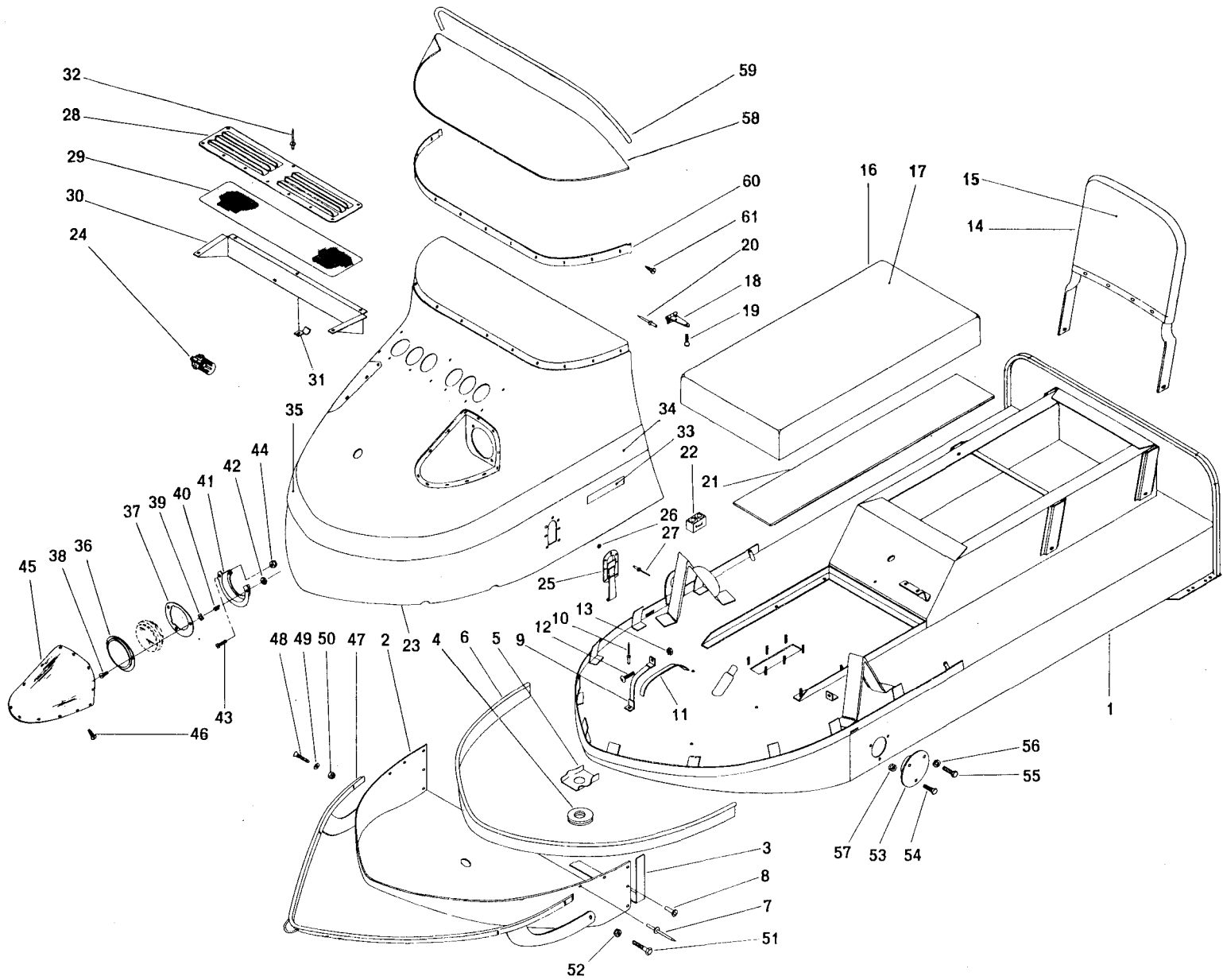
BOMBARDIER LTD.

BODY

ITEM NO.	PART NO.	DESCRIPTION	QUANTITY A.	ITEM NO.	PART NO.	DESCRIPTION	QUANTITY A.
1	580 4003	Frame	1	33	414 0095	Label Alpine	2
2	571 1712	Front Bottom Plate	1	34	414 0049	R.H. Strip	1
3	517 0058	Plastic Sealer (Mult 12'')	-	35	414 0048	L.H. Strip	1
4	517 0059	Plastic Sealer (Mult 12'')	-	36	571 1720	Sealed Beam Support	1
5	517 0054	Plate Seal	1	37	515 0061	Slanting Bracket	1
6	414 0038	Body Moulding	1	38	390 4004	Pop Rivet	2
7	390 4004	Pop Rivet	14	39	515 0010	Inner Ring	1
8	390 2002	Tubular Rivet	10	40	515 0009	Outer Ring	1
8	390 2001	Tubular Rivet	20	41	363 0073	Screw	4
9	513 0027	Retaining Strip	4	42	570 1702	Insulator Rubber	2
10	390 4003	Pop Rivet	4	43	391 0023	Flat Washer	2
11	517 0061	Protector Strip	2	44	380 9019	Nut	2
12	320 1070	Bolt	2	45	350 0001	Bolt	1
13	386 6013	Nut	2	46	399 9002	Flat Washer	1
14	414 0168	Backrest Ass'y	1	47	391 0020	Flat Washer	1
15	414 0183	Backrest Leatherette	1	48	414 0154	Spring	1
16	414 0150	Seat Ass'y	1	49	391 0021	Flat Washer	1
17	414 0184	Seat Leatherette	1	50	389 8011	Speed Nut	1
18	414 0151	Hinge	2	51	517 0080	Ski Holder	1
19	324 1060	Bolt	6	52	327 5106	Bolt	4
20	390 4011	Pop Rivet	6	53	391 0021	Flat Washer	4
21	517 0060	Foot Pad	2	54	386 6019	Nut	4
22	414 0066	Epoxy Glue	-	55	300 3041	Bolt	2
23	561 7006	Hood	1	56	388 6022	Nut	2
24	414 0152	Fuel Tank Cap	1	57	501 0007	End Bearing Housing	2
25	414 0062	Hood Catching	2	58	300 1001	Bolt	2
26	399 0003	Flat Washer	14	59	300 1000	Bolt	4
27	390 4001	Pop Rivet	14	60	399 8007	Lock Washer	4
28	517 0052	Louvre	1	61	386 6019	Nut	2
29	517 0057	Screen	1	62	517 0005	Windshield	1
30	517 0053	Deflector	1	63	517 0106	Windshield Protector	1
31	517 0096	Housing Clip	1	64	517 0011	Windshield Moulding	1
32	390 4005	Pop Rivet	20	65	363 0073	Screw	12

BOMBARDIER LTD.

BODY



BODY

ITEM NO.	PART NO.	DESCRIPTION	QUANTITY S.A.	ITEM NO.	PART NO.	DESCRIPTION	QUANTITY S.A.
1	580 4003	Frame	1	31	517 0096	Housing Clip	1
2	571 1712	Front Bottom Plate	1	32	390 4005	Pop Rivet	20
3	517 0058	Plastic Sealer (Mult 12")	-	33	414 0111	Label Super Alpine	2
4	517 0059	Plastic Sealer (Mult 12")	-	34	414 0144	R.H. Strip	1
5	517 0054	Plate Seal	1	35	414 0145	L.H. Strip	1
6	414 0038	Body Moulding	1	36	515 0069	Outer Ring	2
7	390 4004	Pop Rivet	14	37	515 0070	Inner Ring	2
8	390 2002	Tubular Rivet	10	38	355 0005	Bolt	6
8	390 2001	Tubular Rivet	20	39	389 8010	Speed Nut	6
9	513 0027	Retaining Strip	4	40	414 0154	Spring	6
10	390 4003	Pop Rivet	4	41	517 0104	Adjustment Ring	2
11	517 0061	Protector Strip	2	42	381 0001	Nut	6
12	320 1070	Bolt	2	43	320 1062	Bolt	4
13	386 6013	Nut	2	44	386 6013	Nut	4
14	414 0168	Backrest Ass'y	1	45	414 0175	Headlamp Cover	2
15	414 0183	Backrest Leatherette	1	46	364 9002	Bolt	24
16	414 0150	Seat Ass'y	1	47	517 0033	Ski Holder	1
17	414 0184	Seat Leatherette	1	48	327 5106	Bolt	4
18	414 0151	Hinge	2	49	391 0021	Flat Washer	4
19	324 1060	Bolt	6	50	386 6019	Nut	4
20	390 4011	Pop Rivet	6	51	300 3041	Bolt	2
21	517 0060	Foot Pad	2	52	388 6022	Nut	2
22	414 0066	Epoxy Glue	-	53	501 0007	End Bearing Housing	2
23	561 7005	Hood	1	54	300 1001	Bolt	2
24	414 0152	Fuel Tank Cap	1	55	300 1000	Bolt	4
25	414 0062	Hood Catching	2	56	399 8007	Lock Washer	4
26	399 0003	Flat Washer	14	57	386 6019	Nut	2
27	390 4001	Pop Rivet	14	58	517 0105	Windshield	1
28	517 0052	Louvre	1	59	517 0106	Windshield Protector	1
29	517 0057	Screen	1	60	517 0115	Windshield Moulding	1
30	517 0053	Deflector	1	61	363 0073	Screw	12

BOMBARDIER LTD.

- NOTES -