

BOMBARDIER

ski-doo

PARTS MANUAL



1960-1965 ALL MODELS

BSL 16, 20, 22, 23, OLYMPIC, CHALET, ALPINE

Model:	From serial number to serial number:			B.S.L.
1960 Model	6012	—	60238	16
1961 Model	61239	—	61999	16
	611000	—	612447	
1962 Model	622700	—	623334	16 and
	621	to	629	supplement
	6210	to	6299	
	62100	to	62283	

The following is a reprint of the parts section for SKI-DOO models from 1960 to 1965 included.

The information listed below will give you a quick reference to the proper parts section.

Model:	From serial number to serial number:			B.S.L.
1960 Model	6012	—	60238	16
1961 Model	61239	—	61999	16
	611000	—	612447	
1962 Model	622700	—	623334	16 and supplement
	621	to	629	
	6210	to	6299	
	62100	to	62283	
1963 Model	633240	—	633429	20
	33450	—	39386	
	63300	—	63517	
1964 Model	41000	—	47793	22
1965 Model	Chalet and Olympique			23
	101	—	12384	
	Alpine101-D5 — 1040-D5			

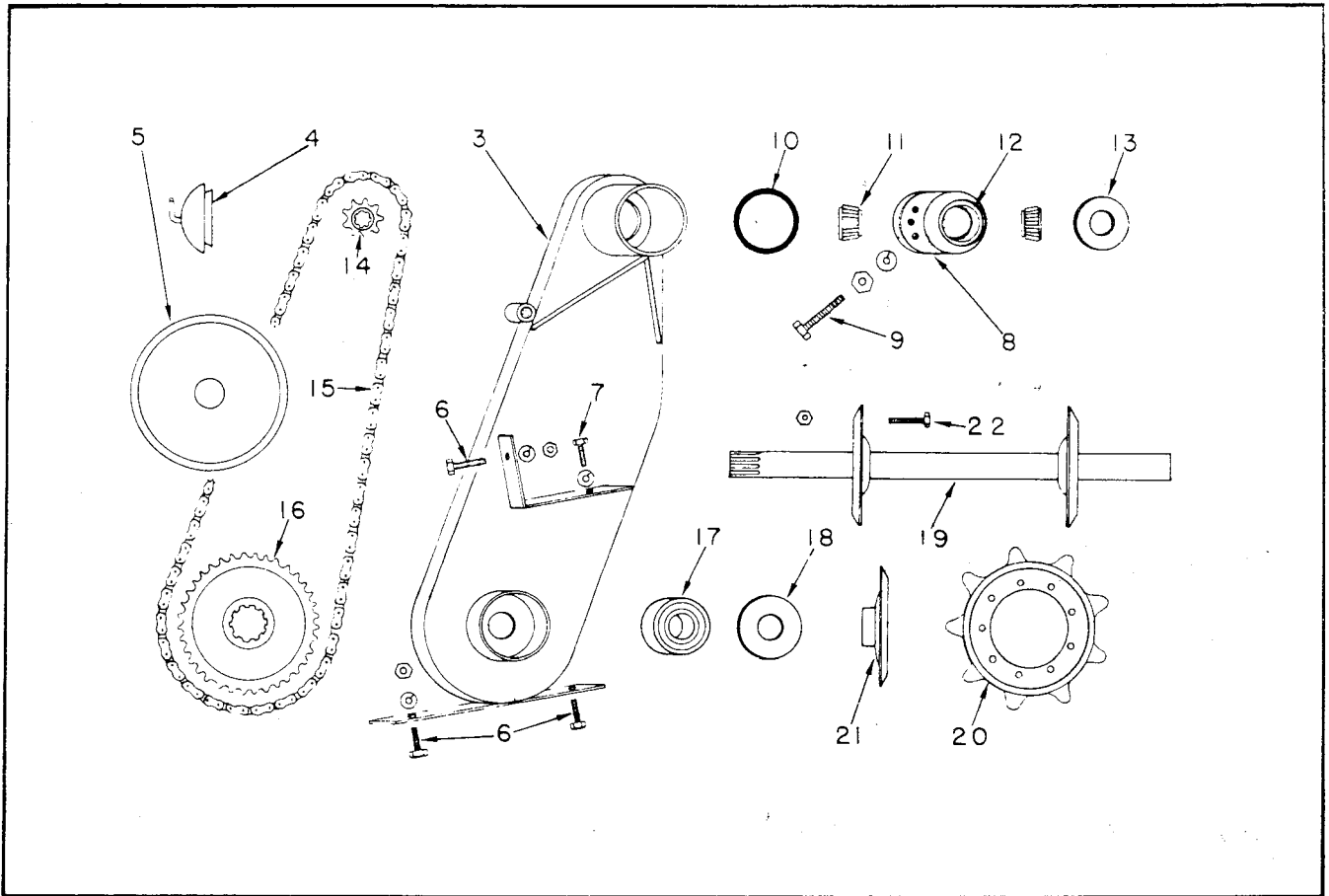
PARTS SECTION

B. S. L. 16 R.

Models

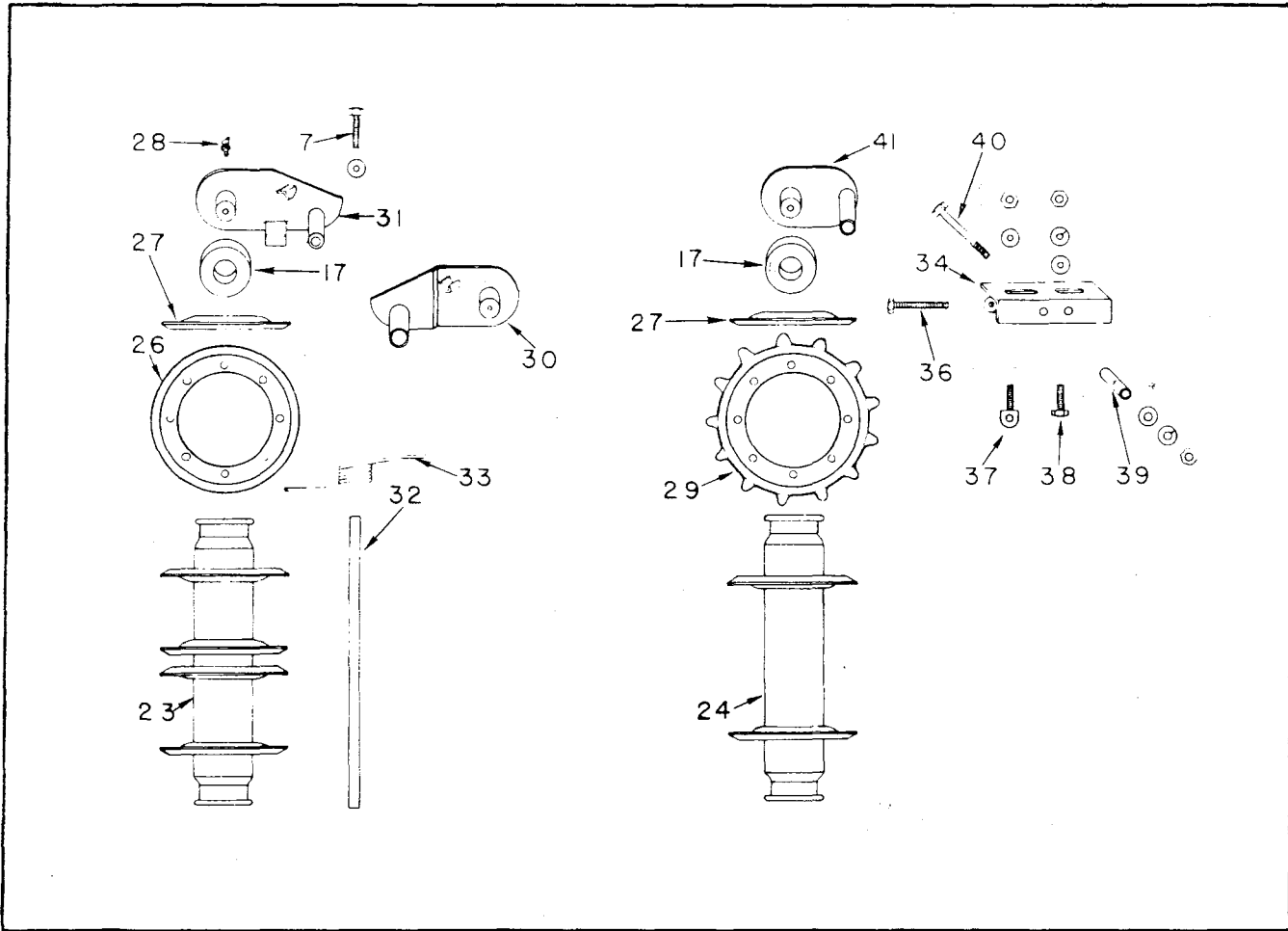
1960—1961—1962 and supplement to 1962.

DRIVE



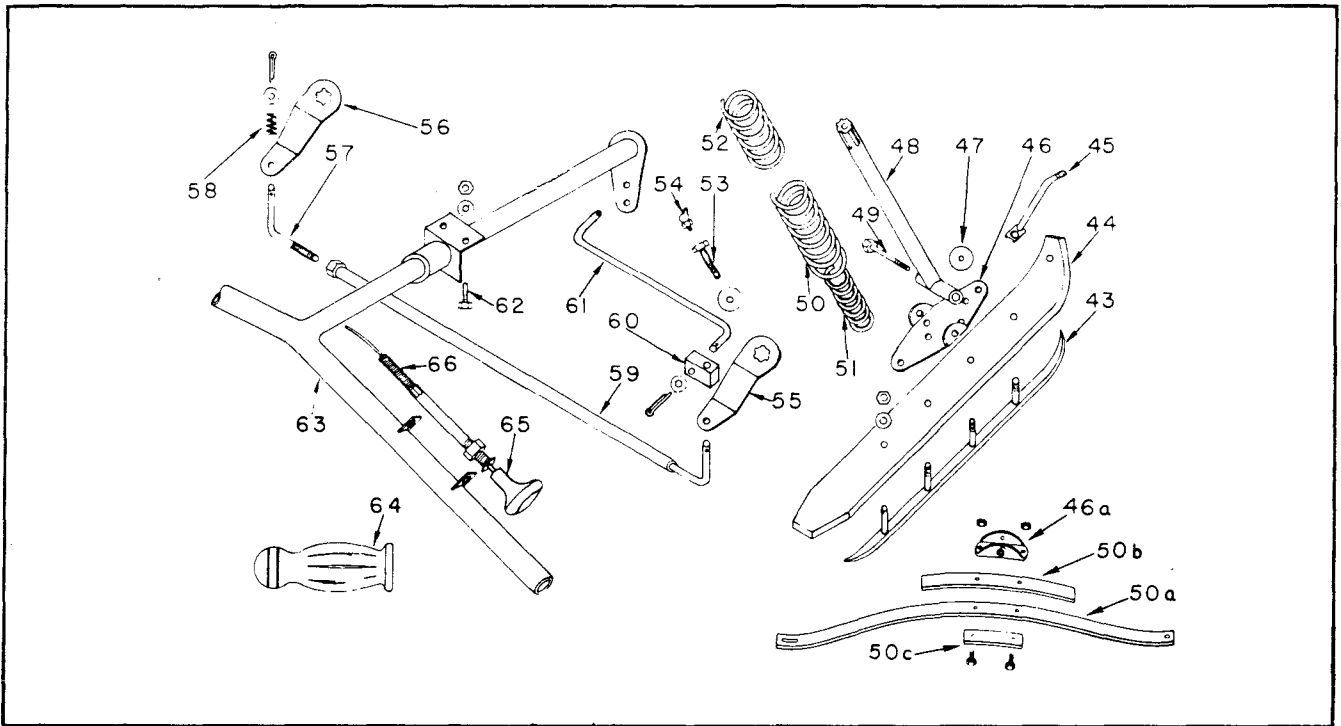
ITEM No.	PART No.	DESCRIPTION	QTY.	ITEM No.	PART No.	DESCRIPTION	QTY.
		TRACK		SK-10	406 0001	Chain tensioner O ring	1
SK-1	570 0002	Track	1	SK-11	405 0001	Chain tensioner bearing cone	2
SK-2	570 0003	Track inserts	116	SK-12	405 0002	Chain tensioner bearing cup	2
		DRIVE		SK-13	406 3001	Tensioner bearing oil seal	1
SK-3	504 0001	Chain case	1	SK-14	504 0007	Chain drive sprocket (9 teeth)	1
SK-4	570 0401	Chain case sprocket cover	1	SK-15	412 1001	Driving chain	1
SK-5	570 0402	Chain case inspection cover	1	SK-17	405 4001	Drive axle bearing	2
SK-6	300 0041	Chain case bracket bolt	3	SK-18	570 0404	Chain case bearing seal	2
	380 7022	Nut	3	SK-19	501 0001	Drive axle	1
	392 0022	Lockwasher	3	SK-20	570 0101	Drive sprocket (rubber)	2
SK-7	300 8043	Chain case bracket bolt	1	SK-21	501 0005	Drive sprocket flange	2
	392 0022	Lockwasher	1	SK-22	300 0001	Bolt for sprocket and wheel flanges	106
SK-8	504 0005	Chain tensioner with cup	1		380 6019	Nut	106
SK-9	300 4084	Chain tensioner lock bolt	1				
	380 9024	Nut	1				
	391 0025	Flat washer	1				

WHEELS AND SUSPENSION



ITEM No.	PART No.	DESCRIPTION	QTY.	ITEM No.	PART No.	DESCRIPTION	QTY.
		WHEEL		SK-33	502 0009	Suspension spring	4
SK-23A	502 0001	Front wheel hub	1	SK-34	503 0005	Right hand adjuster bracket	1
SK-24	503 0001	Center and rear wheel hub	4	SK-35	503 0009	Left hand adjuster bracket	1
SK-17	405 4001	Wheel bearing	10	SK-36	309-8004	Adjusting screw	2
SK-26	570 0201	Wheel tire	9	SK-37	503 0027	Adjusting eye-bolt	2
SK-27	502 0004	Wheel flange	11		386 6022	Nut	2
SK-28	408 2001	Wheel bearing grease fitting	10	SK-38	300 0041	Positioning bolt	2
SK-29	570-0303	Rear sprocket	2		386 6022	Stop nut	2
		SUSPENSION			391 0023	Flat washer	2
SK-30	503 0003	Coupler plate (bent)	4	SK-39	503 0013	Adjuster sleeve	2
SK-31	503-0004	Coupler plate (straight)	4	SK-40	300 0088	Adjuster bolt	2
SK-32	502 0007	Suspension cross shaft	2		380 6024	Nut	2
SK-7	300 8043	Cross shaft bolt	4		392 0024	Lockwasher	2
	392 0022	Lockwasher	4	SK-41	503 0017	Adjuster link plate	2

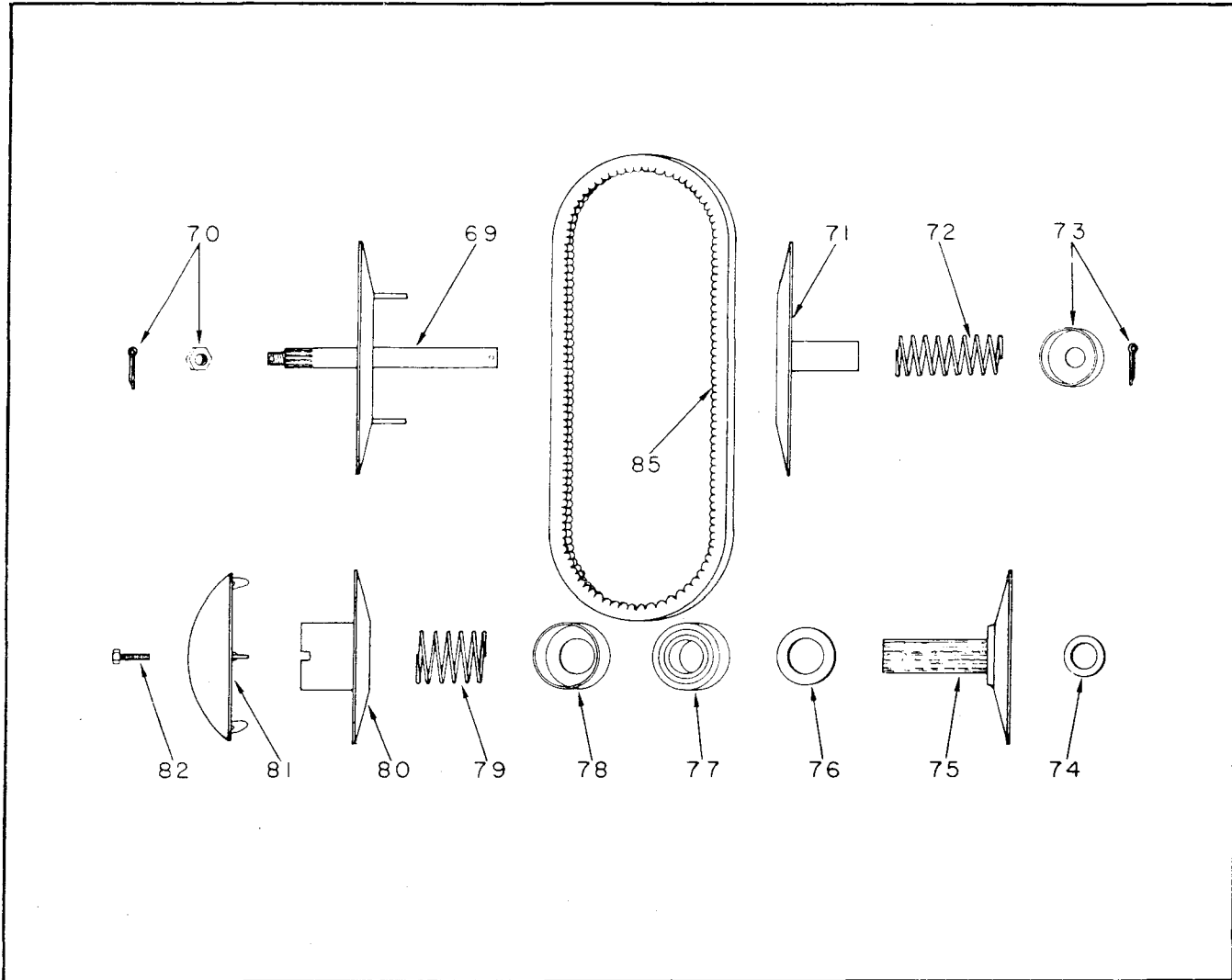
CONTROL PARTS



NOTE: Parts referred to note 1 were used up to serial no. 61299
 Parts referred to note 2 were used starting at serial no. 61300

ITEM No.	PART No.	DESCRIPTION	QTY.	ITEM No.	PART No.	DESCRIPTION	QTY.
		SKI		SK-56	506 0015	Steering arm (left) Note 1	1
SK-43	505 0001	Ski runner shoe	2	SK-56-A	506 0016	Steering arm (left) Note 2	1
	380 6019	Nut	2	SK-57	506 0017	Tie rod end L.H.	1
SK-44	505 0005	Ski runner	2	SK-58	414 0109	Tie rod end spring	3
SK-46-A	505 0011	Ski spring bracket Note 2	2	SK-59	506 0020	Tie rod	1
SK-47	505 0008	Ski to spring washer Note 2	2	SK-60	506 0023	Tie rod swivel	1
SK-48	506 0001	Ski leg Note 1	2	SK-61	506 0024	Steering rod	1
SK-48-A	506 0002	Ski leg Note 2	2	SK-62	300 0001	Steering bearing plate bolt	2
SK-49	309 8002	Ski leg bolt	2		386 6019	Stop nut	2
	386 6022	Nut	2		391 0023	Flat washer	2
SK-50	505 0010	Primary lower spring Note 1	2	SK-63	506 0027	Steering handle bar Note 1	1
SK-50-A	505 0012	Main leaf spring Note 2	2	SK-63-A	506 0028	Steering handle bar Note 2	1
SK-50-B	505 0015	Secondary leaf spring Note 2	2	SK-64	414 0002	Steering handle bar grip	2
SK-50-C	570 0502	Rebound leaf spring Note 2	2	SK-65	414 0003	Throttle rod with knob assembly Note 1	1
SK-51	414 0172	Secondary lower spring note 1	2	SK-65-A	510 0002	Throttle rod (Kohler) Note 2	1
SK-52	506 0009	Upper coil spring Note 1	2	SK-65-B	510 0003	Throttle rod (JLO) Note 2	1
SK-52-A	506 0010	Upper coil spring Note 2	2	SK-66	414 0004	Throttle rod housing Note 1	1
SK-53	560 6001	Upper ski bolt	2	SK-66-A	510 0007	Throttle rod housing (Kohler) Note 2	1
	392 0026	Lockwasher	2	SK-66-B	414 0063	Throttle rod housing (JLO) Note 2	1
SK-54	408 2001	Ski leg grease fitting	2	SK-67	414 0008	Throttle return spring	1
		STEERING		SK-68	510 0014	Throttle rod housing clip bolt	1
SK-55	506 0012	Steering arm (right) Note 1	1		372 0019	Lockwasher	1
SK-55-A	506 0013	Steering arm (right) Note 2	1		385 1013	Nut	1

TRANSMISSION



ITEM No.	PART No.	DESCRIPTION	QTY.	ITEM No.	PART No.	DESCRIPTION	QTY.
		TRANSMISSION		SK-75	504 2004	Drive pulley inner half (Kohler)	1
SK-70	581 1009	Driven pulley ass'y	1	SK-75-A	504 2003	Drive pulley inner half (JLO)	1
	381 2028	Shaft nut	1	SK-76	504 2010	Drive pulley spacer washer	as required
	371 0011	Cotter pin		SK-77	405 4003	Clutch bearing	1
SK-70-A	504 0015	Shaft washer	1	SK-78	504 2011	Clutch spring seat	1
SK-72	504 1003	Driven pulley spring	1	SK-79	414 0010	Clutch release spring	1
SK-73	504 1022	Pressure spring seat	1	SK-80	504 2014	Drive pulley outer half	1
	372 1123	Roll pin	1	SK-81	504 2019	Centrifugal governor assembly	1
SK-74	504 1007	Transmission aligning shim	as required	SK-82	300 0083	Centrifugal governor bolt	1
				SK-85	570 0409	Driving belt	1

ENGINE AND ACCESSORIES

ITEM No.	PART No.	DESCRIPTION	QTY.	ITEM No.	PART No.	DESCRIPTION	QTY.
SK-83	513 0001	Carburetor air deflector	1	SK-93-A	512 0006	Engine support (JLO) Note 2	2
SK-84	321 6043	Carburetor air deflector bolt	2	SK-94	512 0015	Engine bracket (JLO) Note 2	4
	392 0014	Lockwasher	2	SK-95	570 1201	Engine bracket lower rubber pad Note 1	4
SK-86	414 0130	Fuel line (Kohler)	1	SK-95-A	570 1201	Engine support insulator kit Note 2	1
SK-86-A	414 0130	Fuel line (JLO) tank to pump	1	SK-96	570 1201	Engine bracket upper rubber pad Note 1	4
SK-86-B	414 0130	Fuel line (JLO) pump to carburetor	1	SK-97	300 0084	Engine mounting bolt - Note 2	4
SK-87	513 0035	Fuel line adapter at tank	1		380 6024	Nut - Note 2	4
SK-88	114 0010	Fuel tank cap	1		392 0024	Lockwasher - Note 2	4
SK-89	408 0002	Fuel tank drain plug	1				
SK-90	512 0001	Starting rope	1				
SK-91	514 0001	Muffler Note 1	1			BODY	
SK-91-A	514 0002	Muffler Note 2	1	SK-101	517 0003	Windshield	1
SK-91-B	514 0003	Muffler pipe Kohler Note 2	1	SK-102	321 7001	Windshield bolts	14
SK-91-C	514 0016	Muffler pipe JLO Note 2	1		385 8007	Nut	14
SK-92	512 0002	Front engine bracket Note 1	1	SK-103	517 0006	Windshield bracket	1
SK-92-A	512 0003	Engine support (Kohler) Note 2	2	SK-104	517 0012	Windshield bracket brace	1
SK-93	512 0005	Rear engine bracket Note 1	1	SK-105	517 0013	Seat cushion	1

LIGHTING SYSTEM

ITEM No.	PART No.	DESCRIPTION	QTY.	ITEM No.	PART No.	DESCRIPTION	QTY.
SK-109	515 0001	Dynamo	1	SK-115	410 5001	Headlamp bulb	1
SK-110	570 1501	Dynamo pulley (rubber)	1	SK-117	410 6004	Tail lamp	1
SK-114	410 6001	Headlamp	1	SK-118	410 5003	Tail lamp bulb	1

BOMBARDIER SKI-DOO

PARTS LIST FOR 62 MODELS

NOTE: Model A-62 is equipped with the 6 H.P. JLO engine.

Model K-62 is equipped with the 7 H.P. Kohler engine.

Model J-62 is equipped with the 8 H.P. JLO engine.

ITEM No.	PART No.	DESCRIPTION	QUANT.			ITEM No.	PART No.	DESCRIPTION	QUANT.		
			A	K	J				A	K	J
		TRACK				SK-13	406 3001	Tension bearing oil seal	1	1	1
SK-1	570 0002	Track	1	1	1	SK-14	504 0007	Chain drive sprocket (9 teeth)	1	1	1
SK-2	570 0003	Track inserts	116	116	116	SK-15-B	412 1003	Driving chain	1	1	1
		DRIVE				SK-16-A	504 0012	Chain driven sprocket (26 teeth)	1	1	1
SK-3-A	504 0002	Chain case	1	1	1	SK-17-A	405 4002	Drive axle bearing	2	2	2
SK-5-A	570 0403	Chain case inspection cover	1	1	1	SK-18-A	581 1017	Chain case bearing seal and spring	2	2	2
SK-6	300 0041	Chain case bracket belt	2	2	2	SK-19-A	501 0002	Drive axle	1	1	1
	380 7022	Nut	2	2	2	SK-20	570 0101	Drive sprocket rubber	2	2	2
	392 0022	Lockwasher	2	2	2	SK-21	501 0005	Drive sprocket flange	2	2	2
SK-1575	504 0016	Chain case U clamp	1	1	1	SK-22-A	320 1062	Bolts for sprocket and wheel flanges	103	108	103
	386 6019	Nut	1	1	1	386 6013	Nut	108	103	103	
SK-8	504 0005	Chain tensioner	1	1	1			WHEEL			
SK-9	300 4084	Tensioner bolt	1	1	1	SK-23-B	502 0002	Wheel hub	6	6	6
	380 9024	Nut	1	1	1	SK-24-A	503 0002	Rear wheel hub	1	1	1
	391 0025	Flat washer	1	1	1	SK-17-A	405 4002	Wheel bearing	14	14	14
SK-10	406 0001	Chain tensioner O ring	1	1	1	SK-25	502 0003	Wheel bearing leather seal	12	12	12
SK-11	405 0001	Chain tensioner bearing cone	2	2	2						
SK-12	405 0002	Chain tensioner bearing cup	2	2	2						

ITEM No.	PART No.	DESCRIPTION	QUANT.			ITEM No.	PART No.	DESCRIPTION	QUANT.		
			A	K	J				A	K	J
SK-26-B	570 0203	Wheel tire	12	12	12	SK-41-AL	503 0019	Adjuster link plate left hand	1	1	1
SK-27-A	502 0005	Wheel flange (inner)	12	12	12	SK-42-AR	503 0025	Adjuster link plate spring right hand	1	1	1
SK-27-B	502 0006	Wheel flange (outer)	12	12	12	SK-42-AL	503 0023	Adjuster link plate spring left hand	1	1	1
SK-21	501 0005	Rear wheel flange	2	2	2						
SK-20	570 0101	Rear sprocket	2	2	2						
SK-18-B	570 0301	Rear sprocket bearing seal	2	2	2			SKI			
		SUSPENSION				SK-44-C	505 0040	Metal ski	2	2	2
						SK-43-B	505 0002	Ski runner shoe	2	2	2
SK-32-A	502 0008	Suspension cross shaft	3	3	3		380 6019	Nut	2	2	2
SK-7	300 8043	Suspension cross shaft bolt	6	6	6	SK-46-A	505 0011	Ski spring bracket	2	2	2
	392 0022	Lockwasher	6	6	6	SK-47	505 0008	Ski to spring washer	4	4	4
SK-33-A	502 0010	Suspension spring	6	6	6	SK-47-A	505 0009	Leaf spring spacer rubber	2	2	2
SK-34-A	503 0006	Right hand adjuster bracket	1	1	1	SK-48-C	506 0003	Ski leg	2	2	2
SK-35-A	503 0010	Left hand adjuster bracket	1	1	1	SK-49	309 8002	Ski leg bolt	2	2	2
SK-36	309 8004	Adjusting screw	2	2	2		386 6022	Nut	2	2	2
SK-37	503 0027	Adjusting eye bolt	2	2	2	SK-50-J	505 0016	Main leaf spring	2	2	2
	386 6022	Nut	2	2	2	SK-50-K	505 0013	First auxiliary leaf spring	2	2	2
SK-38	300 0041	Positioning bolt	2	2	2	SK-50-C	570 0502	Rebound leaf spring	2	2	2
	386 6022	Nut	2	2	2	SK-46-B	300 0083	Leaf spring bolt	4	4	4
	391 0023	Flat washer	2	2	2		386 6024	Nut	4	4	4
SK-39-A	503 0014	Adjuster sleeve	2	2	2	SK-1578	381 2024	Leaf spring castellated nut	2	2	2
SK-40-A	503 0016	Adjuster link plate spring retainer washer	2	2	2		371 0011	Cotter pin	2	2	2
SK-40-B	300 0047	Adjuster bolt	2	2	2	SK-50-E	505 0017	Leaf spring pin	2	2	2
	386 6022	Nut	2	2	2		371 0011	Cotter pin	2	2	2
SK-41-AR	503 0021	Adjuster link plate right hand	1	1	1	SK-52-B	414 0127	Upper coil spring	2	2	2
						SK-53	560 6001	Upper ski leg bolt	2	2	2
							392 0023	Lockwasher	2	2	2
						SK-54	408 2001	Ski leg grease fitting	2	2	2

ITEM No.	PART No.	DESCRIPTION	QUANT.			ITEM No.	PART No.	DESCRIPTION	QUANT.		
			A	K	J				A	K	J
		STEERING						TRANSMISSION			
SK-55-B	506 0013	Steering arm (right)	1	1	1	SK-69	581 1009	Driven pulley ass'y	1	1	1
SK-56-B	506 0016	Steering arm (left)	1	1	1	SK-70	381 2028	Shaft nut	1	1	1
SK-57	506 0017	Tie rod end L.H.	2	2	2		371 0011	Cotter pin	1	1	1
SK-1576	380 6024	Lock nut	2	2	2	SK-70-A	504 0015	Shaft washer	1	1	1
SK-57-B	506 0018	Tie rod end R.H.	1	1	1	SK-72-A	504 1003	Driven pulley pressure spring	1	1	1
ZNQ-1102	389 8016	Lock nut	2	2	2						
ZNQ-653	391 0025	Flat washer	3	3	3	SK-73	504 1022	Pressure spring seat	1	1	1
ZNK-330	371 0031	Cotter pin	4	4	4		371 1061	Cotter pin	1	1	1
SK-298	506 0044	Center tie rod end	1	1	1	SK-74	504 1007	Transmission aligning shim	as required		
SK-58	414 0109	Spring	3	3	3	SK-75-B	504 2002	Drive pulley inner half	1		
SK-59-B	506 0022	Lower tie rod	1	1	1						
SK-60	506 0023	Tie rod swivel	1	1	1	SK-75-D	504 2004	Drive pulley inner half		1	
SK-61	506 0043	Upper tie rod	1	1	1	SK-75-C	504 2003	Drive pulley inner half			1
SK-62	300 0001	Bearing plate bolt	2	2	2						
	386 6019	Nut	2	2	2	SK-76	504-2010	Drive pulley spacer washer	as required		
	391 0021	Flat washer	2	2	2						
SK-63-D	506 0030	Handle bar	1	1	1	SK-77-A	405 4004	Clutch bearing	1		
SK-63-B	506 0029	Handle bar sleeve	1	1	1	SK-77	405 4003	Clutch bearing		1	1
SK-64	414 0002	Handle bar grip	2	2	2	SK-78-A	504 2012	Clutch spring seat	1		
SK-65-A	510 0002	Throttle wire			1	SK-78	504 2011	Clutch spring seat		1	1
SK-65-C	510 0003	Throttle wire	1	1		SK-79-A	414 0011	Clutch release spring	1		
SK-66-C	414 0063	Throttle wire housing	1		1	SK-79	414 0010	Clutch release spring		1	1
SK-66-A	510 0007	Throttle wire housing		1		SK-80-A	504 2015	Drive pulley outer half	1		
SK-67-A	414 0008	Throttle return spring	1	1	1	SK-80-B	504 2014	Drive pulley outer half		1	1
SK-68-A	510 0009	Throttle wire housing clip	1		1	SK-81-A	504 2020	Centrifugal governor ass'y	1		
	300 1001	Nut	1		1						
	399 8007	Lockwasher	1		1						
SK-68	510 0014	Throttle wire housing clip		1							
	321 7061	Bolt		1							
	385 1013	Nut		1							
	392 0014	Lockwasher		1							

ITEM No.	PART No.	DESCRIPTION	QUANT.			ITEM No.	PART No.	DESCRIPTION	QUANT.		
			A	K	J				A	K	J
SK-81	504 2019	Centrifugal governor ass'y		1	1	SK-86-E	513 0035	Fuel line adapter at tank	1	1	1
SK-82	300 0083	Centrifugal governor bolt	1			SK-86-F	414 0130	Vacuum hose	1		
SK-82-A	300 0152	Centrifugal governor bolt		1	1	SK-88-A	414 0014	Fuel tank cap	1	1	1
SK-85-A	570 0410	Driving belt	1			SK-89	408 0002	Fuel tank drain plug	1	1	1
SK-85	570 0409	Driving belt		1	1	SK-91-E	514 0006	Muffler	1	1	1
		ENGINE AND ACCESSORIES				SK-1577	386 6019	Muffler nut	2	2	2
SK-1532	403 0005	Carburetor ass'y	1		1	SK-90	512 0001	Starting rope		1	
SK-1535	404 0038	Carburetor gasket	1		1	SK-91-F	514 0007	Muffler pipe	1		1
SK-1533-A	402 2017	Carburetor adapter	1			SK-91-L	514 0011	Muffler pipe		1	
SK-1533	513 0028	Carburetor adapter			1	SK-91-H	514 0009	Muffler pipe adapter	1		
SK-83	513 0001	Carburetor air deflector	1	1	1	SK-91-K	514 0010	Muffler pipe adapter			1
SK-84 A	320 0063	Carburetor air deflector bolt	2		2	SK-91-G	514 0008	Muffler pipe spring	1	1	1
	392 0014	Lockwasher	2		2	SK-93-B	512 0007	Engine support	2		
SK-84	321 6043	Carburetor air deflector bolt			2	SK-92-A	512 0003	Engine support		2	
	392 0014	Lockwasher				SK-93-C	512 0008	Engine support			2
SK-86-G	414 0130	Fuel line (tank to carburetor)				SK-95-B	570 1201	Engine support insulator kit	1	1	1
SK-86-B	414 0130	Fuel				SK-97-B	300 0045	Engine mounting bolt			
							380 7022	Nut	4		
						-97	300 0084	Engine mounting bolt		4	
							380 6024	Nut		4	
							392 0024	Lockwasher		4	
							512 0015	Engine bracket			1

LTD.

JUNE 1968

ITEM No.	PART No.	DESCRIPTION	QUANT.			ITEM No.	PART No.	DESCRIPTION	QUANT.		
			A	K	J				A	K	J
		BODY				SK-119	410 6006	Sealed beam 12 volts	1		1
SK-101-A	517 0002	Windshield	1	1	1	SK-117-A	410 6005	Tail lamp	1		1
SK-102	321 7001	Windshield bolt	14	14	14	SK-118-A	410 5004	Tail lamp bulb 12 volts	1		1
	385 3007	Nut	14	14	14						
SK-103-A	517 0007	Windshield bracket	1	1	1	SK-109	515 0001	Dynamo		1	
SK-105	517 0013	Seat cushion	1	1	1	SK-6	300 0041	Dynamo bracket bolt		1	
SK-106-A	517 0021	Back rest cushion	1	1	1		380 7022	Nut		1	
SK-107-D	517 0031	Pulley guard	1		1		392 0022	Lockwasher		1	
SK-107-C	517 0030	Pulley guard		1		SK-110	570 1501	Dynamo pulley (rubber)		1	
SK-108	517 0035	Tool case	1	1	1	SK-114	410 6001	Headlamp		1	
		LIGHTING SYSTEM				SK-115	410 5001	Headlamp bulb		1	
SK-111	410 1001	Headlamp switch	1			410 6004	Tail lamp			1	
SK-114-A	410 6002	Headlamp ass'y 12 volts		1		410 5003	Tail lamp bulb			1	
SK-1552	515 0018	Headlamp washer rubber	1								

Model:

**From serial number
to serial number:**

B.S.L.

1963 Model

633240

—

633429

20

33450

—

39386

63300

—

63517

PARTS SECTION

B. S. L. 20 R.

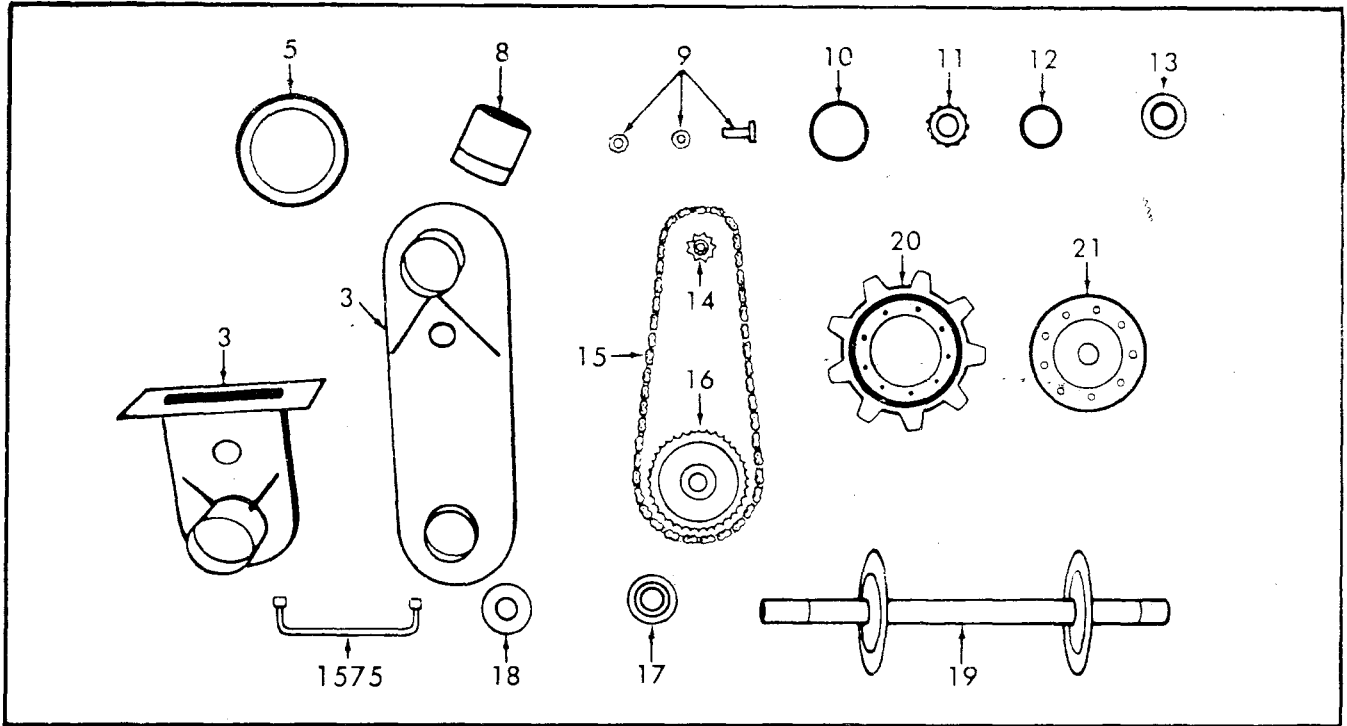
Model 1963

SPARE PARTS LIST

Follow the instructions given below for quick and accurate identification of parts.

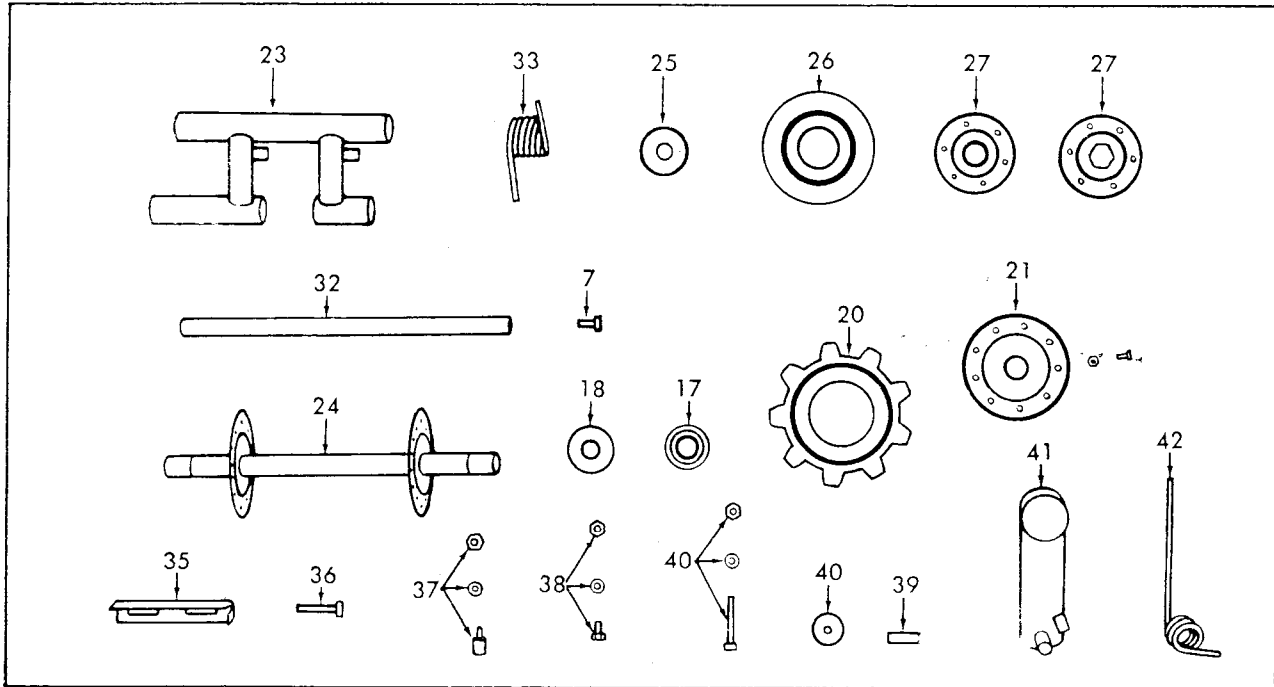
- A — Establish if your SKI-DOO is model R-6 or R-8 or RD-8.
- B — Select the reference number on the parts illustration.
- C — Using the same basic number, locate, in the parts list below the illustration, the complete part number and part name.
- D — The columns headed R-6, R-8 and RD-8 indicate which parts apply to each model and the quantity required per unit.
- E — The Rotax engine is covered in this manual.
For JLO engine refer to illustrated JLO manual.

DRIVE



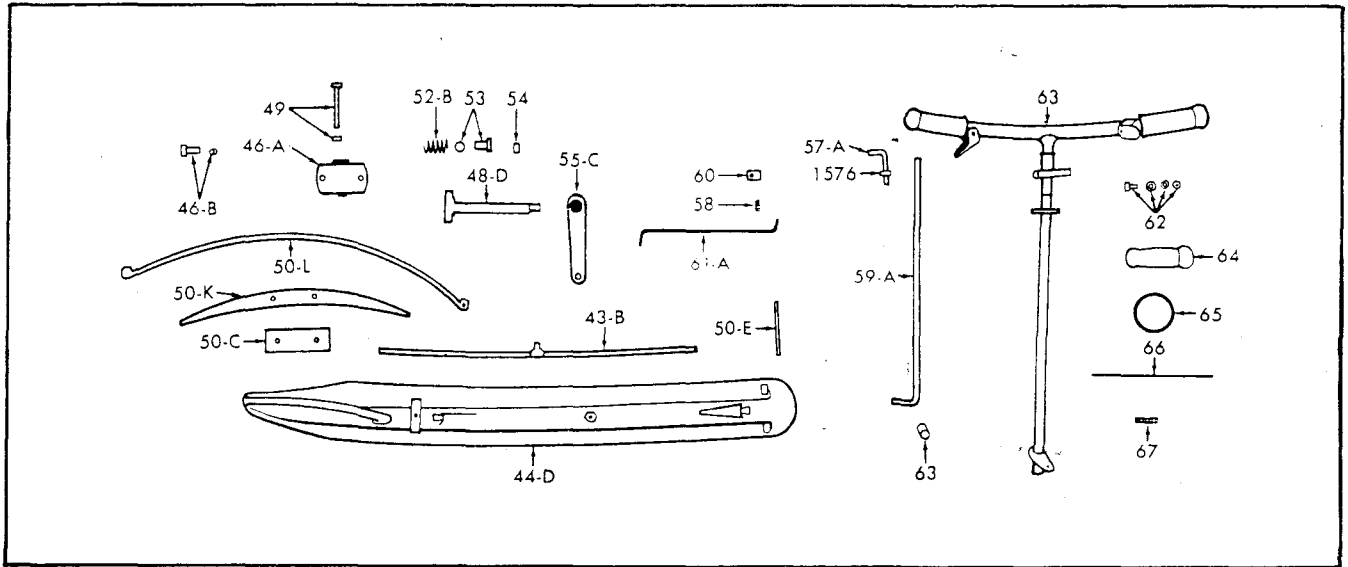
ITEM No.	PART No.	DESCRIPTION	QUANT.			ITEM No.	PART No.	DESCRIPTION	QUANT.		
			R-6	R-8	RD-8				R-6	R-8	RD-8
		TRACK				SK-11	405 0001	Tensioner bearing cone	2	2	
SK-1	570 0002	Track	1	1	2	SK-12	405 0002	Tensioner bearing cup	2	2	
SK-2	570 0003	Track insert	116	116	232	SK-77-A	405 4004	Tensioner bearing			2
		DRIVE				SK-13	406 3001	Oil seal	1	1	1
SK-3B	504 0003	Chain case	1	1		SK-14	504 0007	Chain drive sprocket	1	1	1
SK-3C	504 0004	Chain case			1	SK-15-B	412 1003	Driving chain	1	1	
SK-5A	570 0403	Cover	1	1	1	SK-15-C	412 1004	Driving chain			1
SK-1565	570 0407	Chain case gasket			1	SK-16-A	504 0012	Chain driven sprocket	1	1	
SK-1575	504 0016	Chain case U-bolt ass'y	2	2		SK-17-A	405 4002	Drive axle bearing	2	2	4
	386 6019	Nut	2	2		SK-18-A	581 1017	Drive axle bearing seal	2	2	4
SK-1564	386 6022	Chain case nut			6	SK-19-A	501 0002	Drive axle	1	1	
SK-8	504 0005	Chain tensioner	1	1		SK-19-B	501 0006	Drive axle			2
SK-8A	504 0006	Chain tensioner			1	SK-20	570 0101	Drive sprocket (rubber)	2	2	4
SK-9	300 4084	Tensioner bolt	1	1		SK-21	501 0005	Drive sprocket flange	2	2	4
	380 9024	Nut	1	1		SK-22-A	320 1062	Sprocket bolt	18	18	36
	391 0025	Washer	1	1			386 6013	Nut	18	18	36
SK-9B	300 4084	Tensioner bolt			1	SK-1580	501 0007	End bearing housing			2
	380 9024	Nut			1	SK-1579	300 0000	End bearing housing bolt			6
	391 0025	Washer			1		392 0019	Lockwasher			6
SK-10	406 0001	Tensioner O ring	1	1	1						

WHEELS AND SUSPENSION



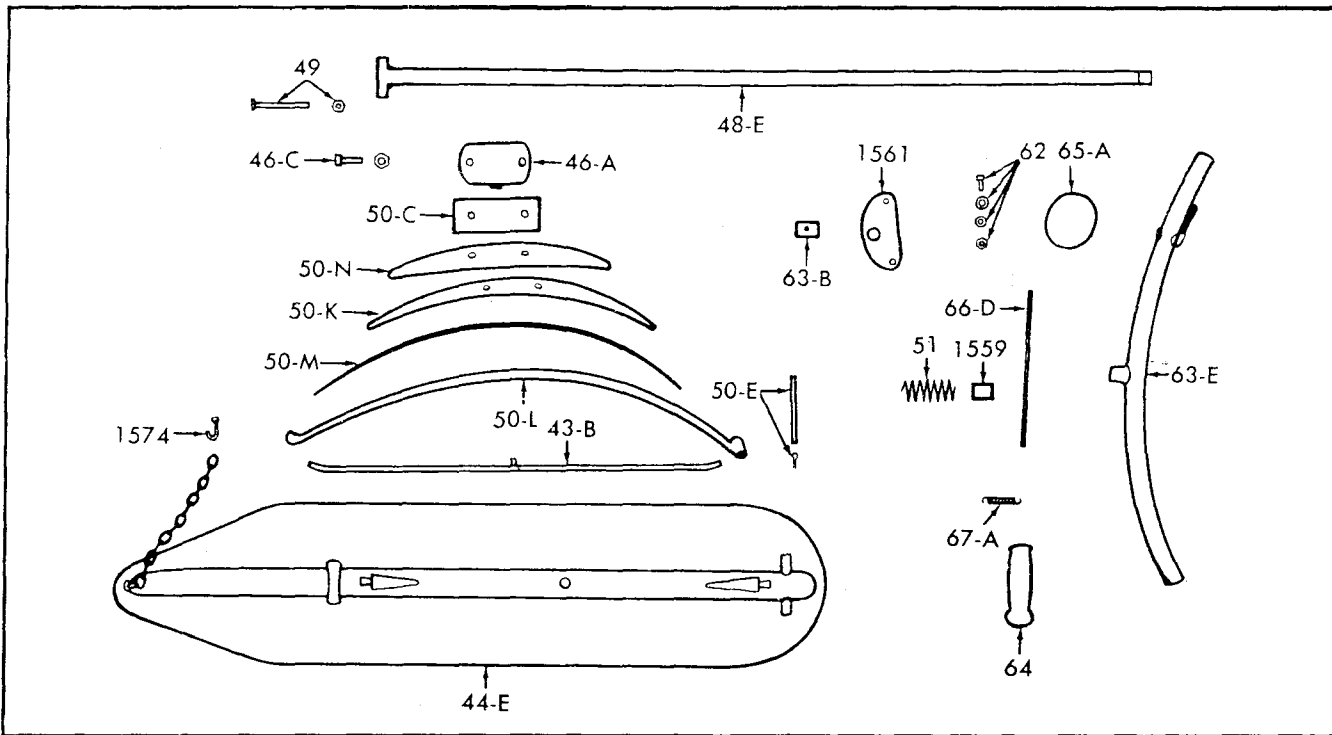
ITEM No.	PART No.	DESCRIPTION	QUANT.			ITEM No.	PART No.	DESCRIPTION	QUANT.		
			R-6	R-8	RD-8				R-6	R-8	RD-8
WHEEL											
SK-23-B	502 0002	Wheel support	6	6	12	SK-35-B	503 0011	Adjuster bracket inside L.H.			1
SK-24-A	503 0002	Rear hub	1	1	2	SK-36	309 8004	Adjusting screw	2	2	2
SK-17-A	405 4002	Wheel bearing	14	14	28	SK-36-A	309 8001	Adjusting screw (center)			2
SK-25	502 0003	Leather seal	12	12	24	SK-37	503 0027	Adjusting eye bolt	2	2	2
SK-26-B	570 0203	Wheel tire	12	12	24	386 6022		Nut	2	2	2
SK-27-A	502 0005	Wheel flange inner	12	12	24	SK-37-A	503 0028	Adjuster eye bolt-center			2
SK-27-B	502 0006	Wheel flange outer	12	12	24	383 6022		Nut			2
SK-20	570 0101	Rear sprocket	2	2	4	SK-38	300 0041	Positioning bolt	2	2	4
SK-21	501 0005	Rear sprocket flange	2	2	4	386 6022		Nut	2	2	4
SK-18-A	581 1017	Rear bearing seal	2	2	4	391 0023		Flat washer	2	2	4
SK-22-A	320 1062	Wheel bolt	126	126	252	503 0026	SK-1581	Adjusting screw buffer			2
	386 6013	Nut	126	126	252	SK-39-A	503 0014	Adjuster sleeve	2	2	4
SUSPENSION											
SK-32-A	502 0008	Cross shaft	3	3	6	SK-40-B	300 0047	Adjuster bolt	2	2	4
SK-7	300 8043	Bolt	6	6	12	386 6022		Nut	2	2	4
	392 0022	Lockwasher	6	6	12	SK-40-A	503 0016	Spring retainer washer	2	2	4
SK-33-A	502 0010	Suspension spring	6	6	12	SK-41-AR	503 0021	Adjuster link plate R.H.	1	1	2
SK-34-A	503 0006	Adjuster bracket R.H.	1	1	1	SK-41-AL	503 0019	Adjuster link plate L.H.	1	1	2
SK-35-A	503 0010	Adjuster bracket L.H.	1	1	1	SK-42-AR	503 0025	Link plate spring R.H.	1	1	2
SK-34-B	503 0007	Adjuster bracket inside R.H.			1	SK-42-AL	503 0023	Link plate spring L.H.	1	1	2

CONTROL PARTS R-6 - R-8



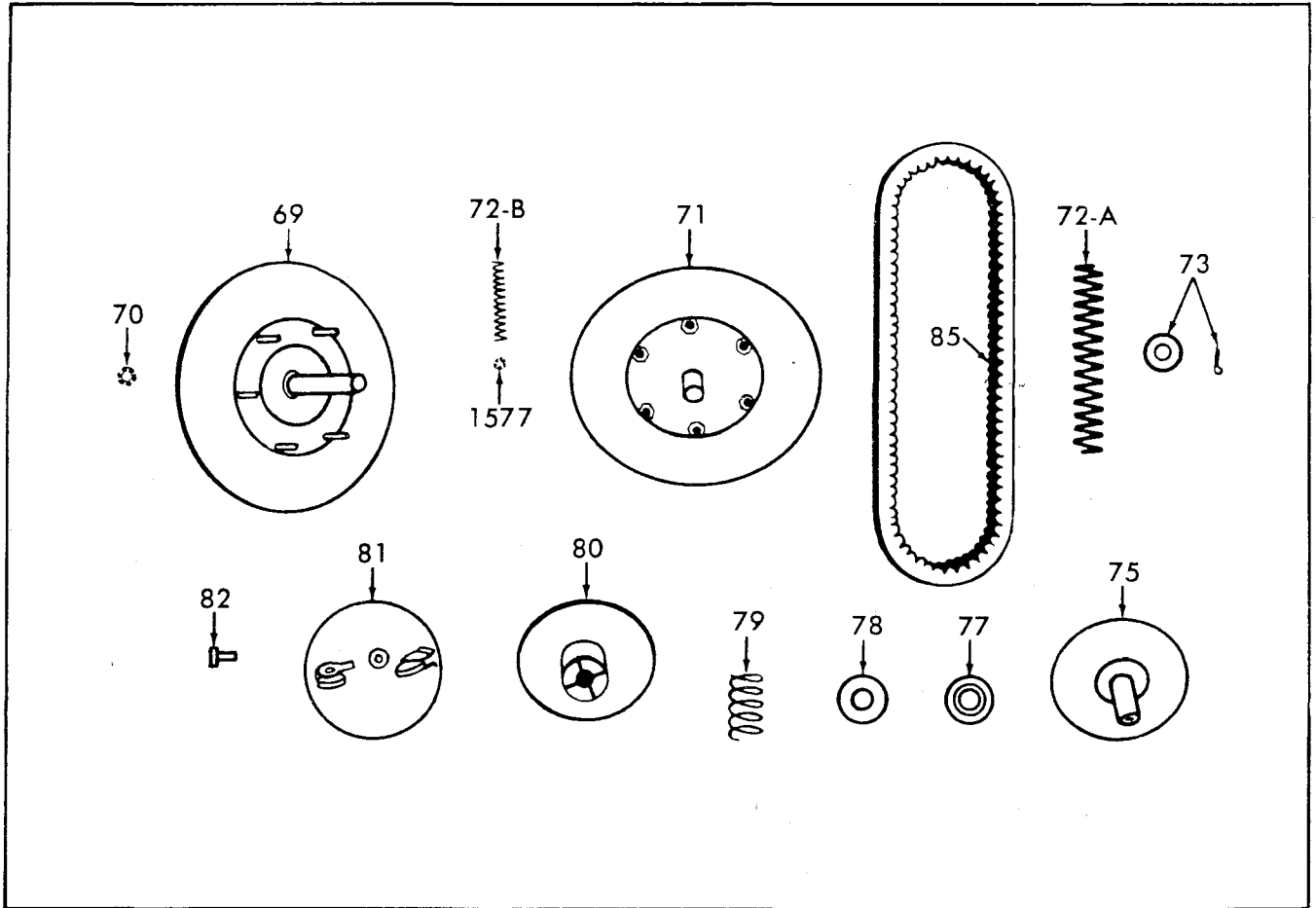
ITEM No.	PART No.	DESCRIPTION	QTY.		ITEM No.	PART No.	DESCRIPTION	QTY.			
			R-6	R-8				R-6	R-8		
		SKI			SK-62	300 0001	Handle bar attaching bolt	1	1		
SK-43-B	505 0002	Runner shoe	2	2		386 6019	Nut	1	1		
	380 6019	Nut	2	2		391 0021	Flat washer	1	1		
SK-44-D	505 0040	Ski runner	2	2	SK-62-A	300 0003	Handle bar attaching bolt	1	1		
SK-50-E	505 0017	Spring pin	2	2		386 6019	Nut	1	1		
	371 0011	Cotter pin	2	2		391 0021	Washer	1	1		
SK-50-L	505 0016	Main leaf spring	2	2	SK-63-D	506 0030	Handle bar	1	1		
SK-50-K	505 0013	Auxiliary leaf spring	2	2	SK-63-B	506 0029	Steering shaft sleeve (Lower)	1	1		
SK-50-C	570 0502	Rebound leaf spring	2	2	SK-64	414 0002	Handle bar grip	2	2		
SK-46-A	505 0011	Spring coupler	2	2			THROTTLE				
SK-46-B	300 0083	Coupler bolt	4	4			SK-65-C	510 0003	Throttle cable	1	1
	386 6024	Nut	4	4			SK-66-C	414 0063	Throttle cable housing	1	1
SK-49	309 8002	Ski leg bolt	2	2			SK-67-A	414 0008	Throttle return spring		1
	386 6022	Nut	2	2			SK-1558	510 0001	Return spring bracket	1	
SK-48-D	506 0004	Ski leg	2	2			SK-67-B	414 0009	Throttle return spring	1	
SK-52-B	414 0127	Upper coil spring	2	2			SK-68-B	510 0010	Throttle cable housing clip	1	1
SK-53	560 6001	Upper ski leg bolt	2	2			SK-68-C	321 7061	Housing clip bolt	1	1
	392 0026	Lockwasher	2	2				385 1013	Nut	1	1
SK-54	408 2001	Ski leg grease fitting	2	2				392 0014	Lockwasher	1	1
		STEERING			SK-1591	506 0040	Throttle and brake lever	2	2		
SK-55-C	506 0014	Steering arm	2	2		390 9001	Rivet	2	2		
SK-58	414 0109	Spring	3	3			BRAKE				
SK-1585	391 0025	Tie rod spring washer	3	3			SK-1525-A	507 0002	Brake assembly complete	1	1
	371 0031	Cotter pin	3	3			SK-1527	507 0003	Brake handle with lining	1	1
SK-59-A	506 0022	Lower tie rod	1	1			SK-1528	507 0006	Brake lining	1	1
	506 0018	Tie rod end R.H.	1	1			SK-1529	507 0007	Brake attaching bracket	1	1
	506 0017	Tie rod end L.H.	2	2			SK-1530	507 0008	Hinge rod	1	1
	389 8016	Nut	2	2			SK-1553	507 0014	Cable housing clip	1	1
	380 6024	Nut	2	2			SK-1554	510 0004	Brake cable	1	1
SK-60	506 0023	Tie rod swivel	1	1			SK-1555	507 0018	Brake cable housing	1	1
SK-61-A	506 0043	Upper tie rod	1	1			SK-67-A	414 0008	Brake return spring	1	1
	506 0044	Center tie rod end	1	1							

CONTROL PARTS RD-8



ITEM No.	PART No.	DESCRIPTION	QTY.	ITEM No.	PART No.	DESCRIPTION	QTY.
		SKI					
SK-43-B	505 0002	Runner shoe	1	SK-1561	506 0039	Steering shaft bracket	1
	380 6019	Nut	1	SK-62	300 0001	Handle bar attaching bolt	2
SK-44-E	505 0004	Ski runner	1		386 6019	Nut	2
SK-1599	570 0501	Retainer cable	1		391 0023	Washer	1
SK-1600	505 0022	Union link	2	SK-63-E	506 0031	Handle bar	1
SK-50-E	505 0017	Spring pin	1	SK-63-B	506 0029	Steering shaft sleeve (lower)	1
	371 0011	Cotter pin	1	SK-64	414 0002	Handle bar grip	2
SK-50-L	505 0016	Main leaf spring	1	SK-1586	300 0046	Handle bar bolt	1
SK-50-M	505 0014	First auxiliary leaf spring 23"	1		392 0022	Lockwasher	1
SK-50-K	505 0013	Secondary auxiliary leaf spring 18"	1	SK-51	414 0172	Steering shaft upper spring	1
				SK-1559	506 0038	Steering shaft upper bushing	1
						THROTTLE	
SK-50-N	505 0015	Third auxiliary leaf spring 13"	1	SK-65-A	510 0002	Throttle cable	1
SK-50-C	570 0502	Rebound leaf spring	1	SK-66-D	510 0007	Throttle cable housing	1
SK-46-A	505 0011	Spring coupler	1	SK-67-A	414 0008	Throttle return spring	1
SK-46-C	300 8084	Coupler bolt	2	SK-68-B	510 0010	Throttle cable housing clip	1
	386 6024	Nut	2	SK-68-C	321 7061	Housing clip bolt	1
SK-49	309 8002	Ski attaching bolt	1		385 1013	Nut	1
	386 6022	Nut	1		392 0014	Lockwasher	1
		STEERING		SK-1591	506 0040	Throttle lever	1
SK-48-E	506 0005	Ski-leg	1		390 9001	Rivet	1

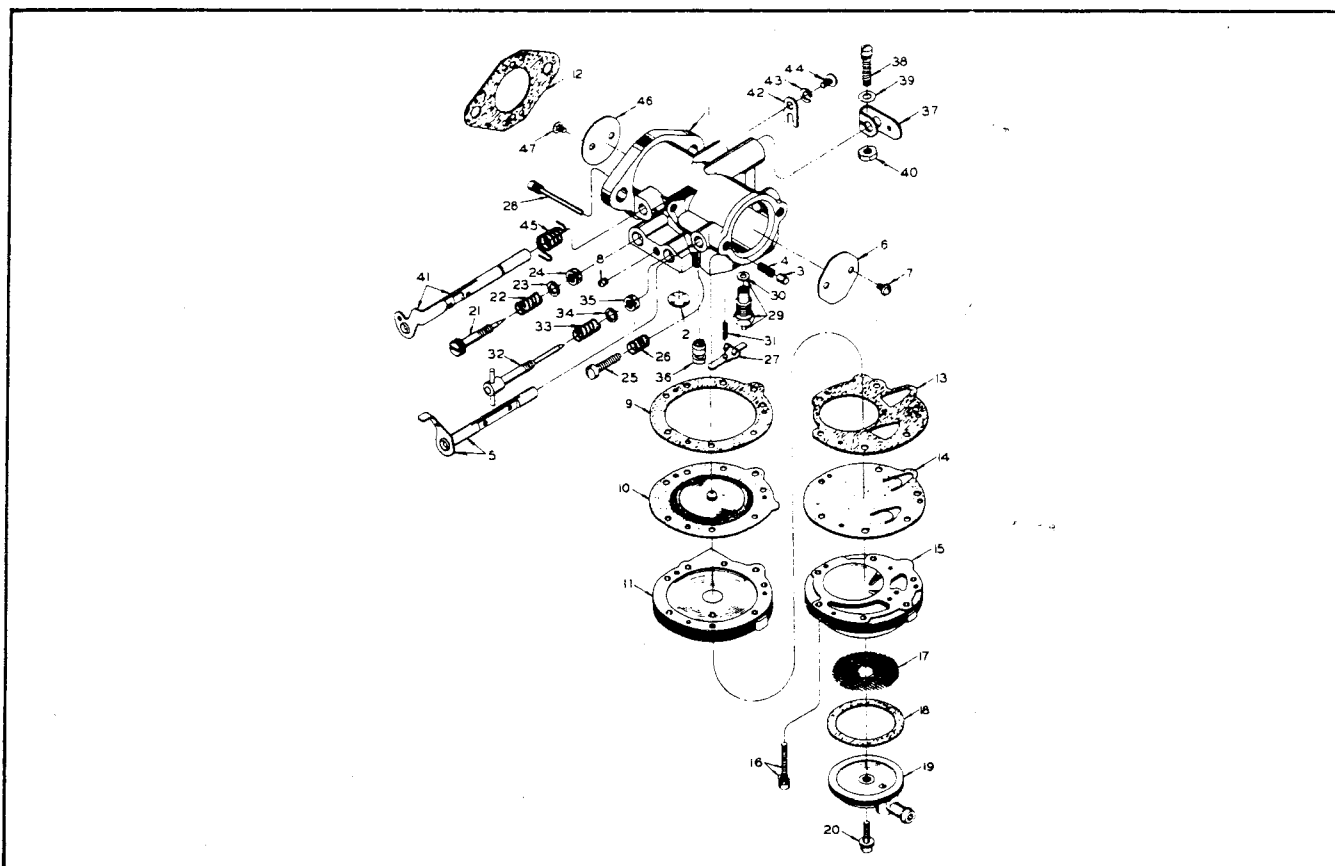
TRANSMISSION



ITEM No.	PART No.	DESCRIPTION	QUANT.			ITEM No.	PART No.	DESCRIPTION	QUANT.		
			R-6	R-8	RD-8				R-6	R-8	RD-8
SK-69	581 1009	Driven pulley ass'y	1	1		SK-75-F	504 2006	Drive pulley inner half		1	1
SK-69-A	581 3004	Driven pulley ass'y			1	SK-77-A	405 4004	Clutch bearing	1	1	1
SK-1584	504 1018	Driven pulley shaft lock ring				SK-78-A	504 2012	Clutch spring seat	1	1	1
SK-70	381 2028	Shaft nut	1	1	1	SK-79-B	414 0012	Clutch release spring	1		
	371 0011	Cotter pin	1	1	1	SK-79-C	414 0013	Clutch release spring		1	1
SK-70-A	504 0015	Shaft washer	1	1		SK-80-C	504 2015	Drive pulley outer half	1		
SK-72-A	504 1003	Driven pulley pressure spring	1	1		SK-80-D	504 2016	Drive pulley outer half		1	1
SK-72-C	504 1005	Driven pulley pressure spring			1	SK-81-B	504 2021	Centrifugal governor ass'y	1		
SK-1577	386 6019	Pressure spring nut			6	SK-81-C	504 2022	Centrifugal governor ass'y		1	1
SK-73	504 1022	Spring seat	1	1		SK-82-A	300 0152	Centrifugal governor bolt	1	1	1
	372 1123	Roll pin	1	1	1	SK-85	570 0409	Drive belt		1	1
SK-75-E	504 2005	Drive pulley inner half	1			SK-85-A	570 0410	Drive belt	1		

ITEM No.	PART No.	DESCRIPTION	QUANT.			ITEM No.	PART No.	DESCRIPTION	QUANT.		
			R-6	R-8	RD-8				R-6	R-8	RD-8
		ENGINE				SK-91-H	514 0009	Muffler pipe flange	1		
SK-93-D	512 0009	Engine support		2	2	SK-91-M	514 0012	Muffler pipe flange		1	
SK-93-E	512 0010	Engine support	2			SK-111	410 1001	Switch	1		
SK-95-B	570 1201	Engine support insulator kit	1	1	1	SK-114-A	410 6002	Headlamp	1	1	1
SK-94-A	512 0016	Engine bracket	1			SK-119	410 6006	Sealed beam	1	1	1
SK-94-B	512 0017	Engine bracket		1	1	SK-40-A	503 0016	Headlamp base washer	1	1	
SK-1566	512 0025	Engine bracket bushing 3/8"	4			SK-1562	515 0019	Headlamp adjuster			1
SK-1567	512 0023	Engine bracket bushing 7/8"		4	4	SK-117-A	410 6005	Tail lamp	1	1	1
SK-1568	512 0027	Engine bracket bushing 1 1/8"		2	2	SK-118-A	410 5004	Tail lamp bulb	1	1	1
SK-1569	512 0028	Engine bracket bushing 1/2"		2	2			BODY			
SK-97-A	385 5013	Engine support nut	4	4	4	SK-101-C	517 0002	Windshield	1	1	
SK-6	300 0041	Engine bracket bolt	4			SK-101	517 0003	Windshield			1
	380 7022	Nut	4			SK-102-A	363 0034	Windshield screw	7	7	5
	392 0022	Lockwasher	4			SK-102-B	321 7003	Windshield bolt			4
SK-97-B	300 0045	Engine bracket bolt		2	2		385 8007	Nut			4
	380 7022	Nut		2	2	SK-103-B	517 0008	Windshield moulding	1	1	
	392 0022	Lockwasher		2	2	SK-103-C	517 0009	Windshield moulding			1
SK-1545-B	300 0048	Engine bracket bolt		2	2	SK-1570	571 1710	Front hood	1	1	
	380 7022	Nut		2	2	SK-1570-A	571 1711	Front hood			1
				2	2	SK-102	321 7001	Hood bolt	19	19	21
				2	2		385 8007	Nut	19	19	21
				4	4	SK-1572	517 0065	Compartment door hinge rod	1	1	1
		FUEL				SK-1590	571 1705	Compartment door	1	1	1
SK-83	513 0001	Carburetor air deflector	1	1	1	SK-105	517 0013	Seat cushion ass'y	1	1	
SK-83-A	513 0002	Air deflector screen	1	1	1	SK-105-A	517 0014	Seat cushion ass'y			1
SK-84-A	320 0063	Air deflector bolt	2	2	2	SK-106-A	517 0021	Back rest cushion ass'y	1	1	
	392 0014	Lockwasher	2	2	2	SK-106-B	517 0022	Back rest cushion ass'y			1
SK-86-G	414 0130	Fuel line 28"	1	1	1	SK-1587	300 0004	Back rest bolt			2
SK-86-E	513 0035	Fuel line adapter at tank	1	1	1		386 6019	Nut			2
SK-88-A	414 0014	Fuel tank cap	1	1	1	SK-1588	414 0079	Seat hinge			2
SK-89	408 0002	Fuel tank drain plug	1	1	1	SK-1589	324 8061	Seat hinge bolt			6
							385 1013	Nut			6
						SK-1589-A	321 6061	Seat hinge bolt			4
							385 1013	Nut			4
		EXHAUST				SK-1573	517 0066	Ski holder			1
SK-91-E	514 0006	Muffler	1	1		SK-1563	300 0006	Ski holder bolt			4
SK-1577	386 6019	Muffler nut	2	2			380 6019	Nut			4
SK-91-G	514 0008	Muffler pipe spring	1	1			392 0019	Washer			4
SK-91-F	514 0007	Muffler pipe	1	1		SK-107-E	517 0032	Pulley guard	1		
SK-91-N	514 0013	Muffler pipe			1	SK-107-F	517 0034	Pulley guard		1	1

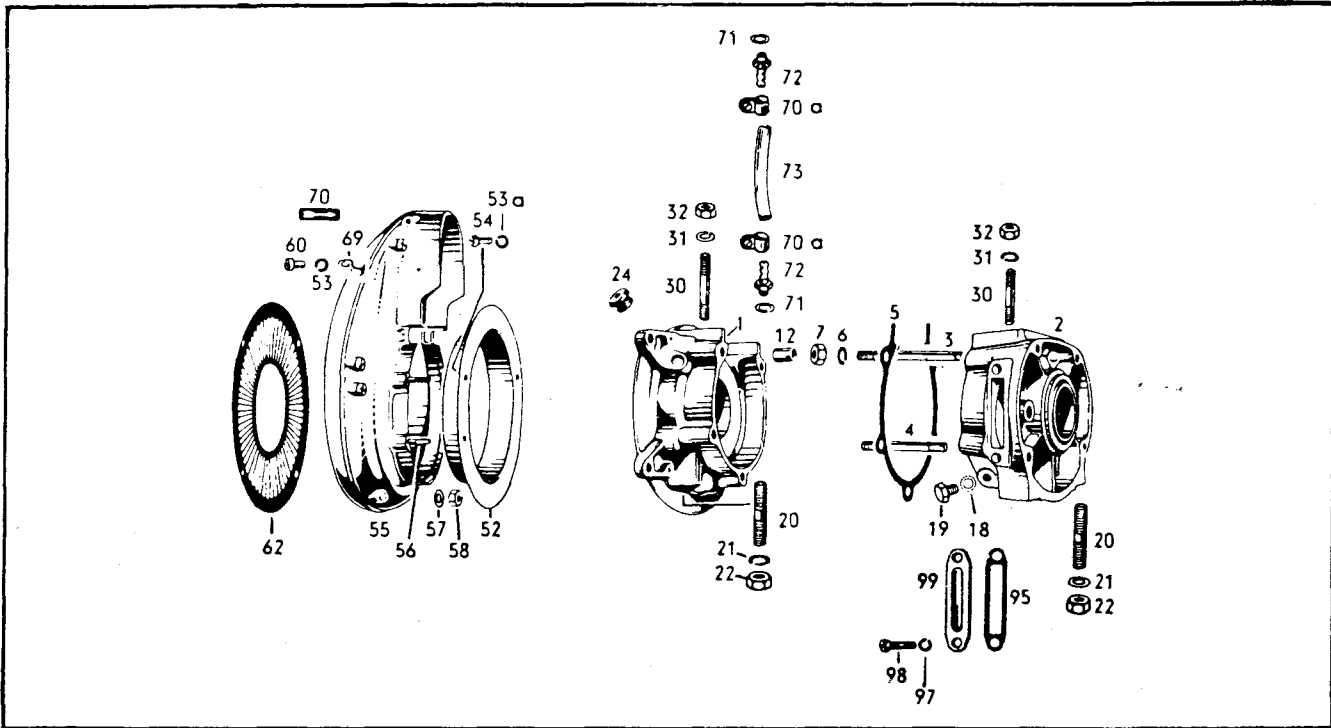
CARBURETOR



ITEM No.	PART No.	DESCRIPTION	ITEM No.	PART No.	DESCRIPTION
SK-1532	403 0005	Carburetor	T-25	404 0064	*Idle speed regulating screw
T-1	404 0001	Body	T-26	404 0067	*Idle speed regulating screw spring
T-2	404 0010	*Body channel welch plug	T-27	404 0069	*Inlet control lever
T-3	404 0012	Choke friction pin	T-28	404 0071	*Inlet lever pinion screw
T-4	404 0014	Choke friction spring	T-29	404 0074	*Inlet needle, seat and gasket
T-5	404 0015	Choke shaft and lever	T-30	404 0078	Inlet seat gasket
T-6	404 0022	Choke shutter	T-31	404 0081	*Inlet tension spring
T-7	404 0027	Choke shutter screw and lockwasher	T-32	404 0083	*Main adj. screw
T-8	404 0029	Diaphragm chamber drain screw	T-33	404 0056	*Main adj. screw spring
T-9	404 0030	Diaphragm gasket	T-34	404 0057	Main adj. screw washer
T-10	404 0032	*Diaphragm	T-35	404 0059	Main adj. screw packing
T-11	404 0034	Diaphragm cover	T-36	404 0085	Nozzle check valve
T-12	404 0038	Flange gasket	T-37	404 0090	Throttle lever arm.
T-13	404 0041	Fuel pump gasket	T-38	404 0091	*Throttle lever ret. screw and lockwasher
T-14	404 0042	*Fuel pump diaphragm	T-39	404 0092	*Throttle lever ret. washer
T-15	404 0045	Fuel pump body	T-40	404 0093	*Throttle lever ret. nut
T-16	404 0047	Fuel pump body screw and lockwasher	T-41	404 0094	Throttle shaft and lever
T-17	404 0049	*Fuel strainer screen	T-42	404 0102	Throttle shaft clip
T-18	404 0050	Fuel strainer cover gasket	T-43	404 0105	Throttle shaft clip lockwasher
T-19	404 0051	Fuel strainer cover	T-44	404 0106	Throttle shaft clip ret. screw
T-20	404 0052	*Fuel strainer cover ret. screw	T-45	404 0107	*Throttle shaft return spring
T-21	404 0053	*Idle adj. screw	T-46	404 0112	Throttle shutter
T-22	404 0056	*Idle adj. screw spring	T-47	404 0028	*Throttle shutter screw
T-23	404 0057	Idle adj. screw washer	T-48	404 0118	*Gasket and packing set
T-24	404 0059	Idle adj. screw packing	T-49	404 0123	Repair parts kit

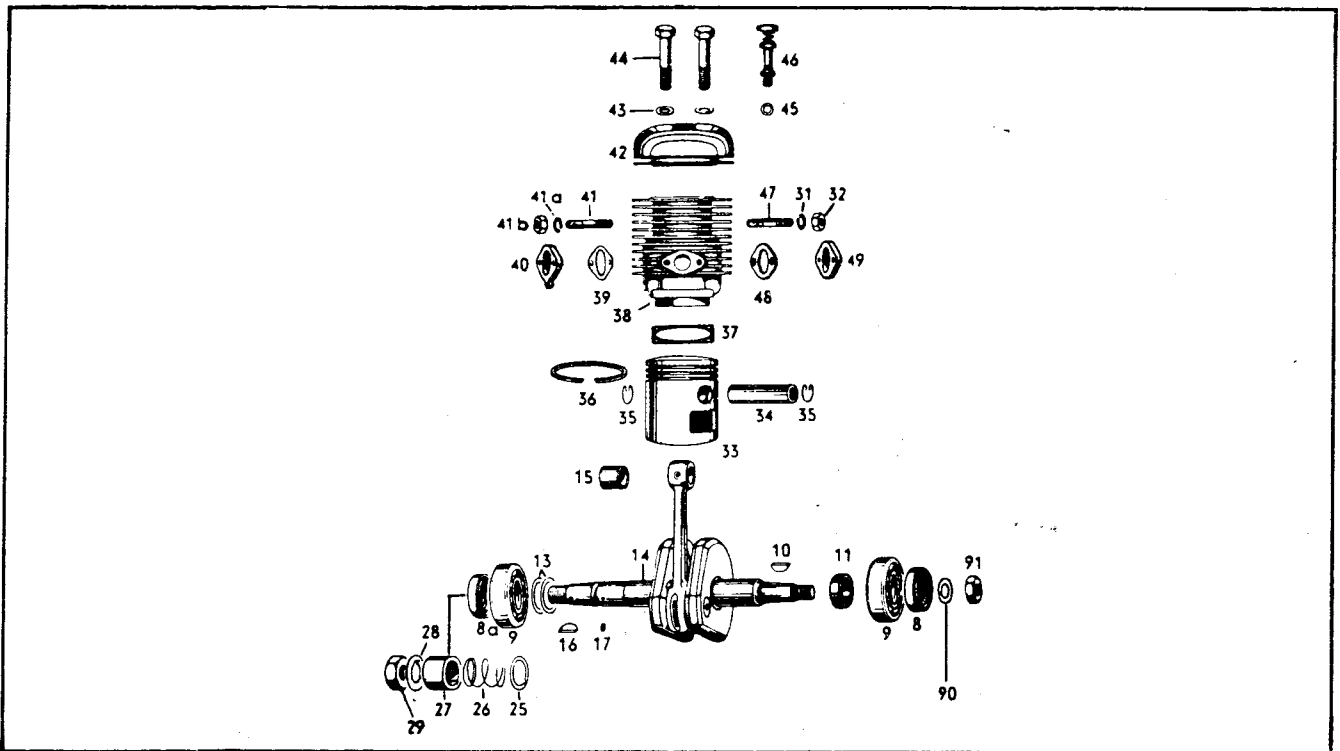
* Indicates contents of Repair Parts Kit

CRANKCASE



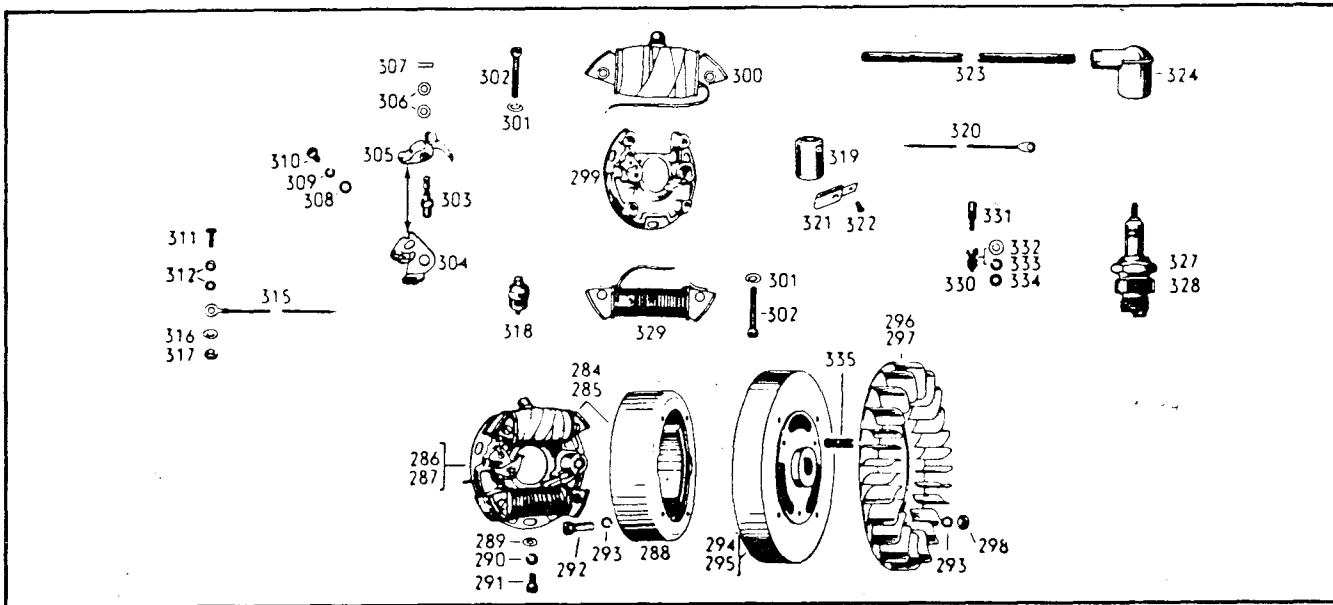
ITEM No.	PART No.	ITEM No.	PART No.	DESCRIPTION	ITEM No.	PART No.	ITEM No.	PART No.	DESCRIPTION
7 H.P.		8 H.P.			7 H.P.		8 H.P.		
L-1	402 0001	P-1	402 0003	Crankcase complete	L-53-B	402 4002			Nut
L-3	402 0006	P-3	402 0007	Crankcase bolt	L-54	402 0038	P-54	402 0040	Screw
L-4	402 0008	P-4	402 0009	Crankcase bolt	L-55	402 0042	P-55	402 0044	Fan cowl complete
L-5	402 0011	P-5	402 0014	Crankcase gasket	L-56	402 2036	P-56	402 0030	Fan cowl bolt
L-6	402 0015	P-6	402 0016	Lock washer	L-57	402 0015	P-57	402 0016	Lock washer
		P-7	402 0018	Hexagon nut	L-58	402 2053	P-58	402 0018	Fan cowl nut
L-12	402 1014	P-12	402 1015	Crankcase dowel tube	L-59	402 0048			Fan cowl baffle
L-18	402 0019	L-18	402 0019	Oil drain sealing washer	L-60	402 0040	L-60	402 0040	Bolt
L-19	402 0020	L-19	402 0020	Oil drain screw	L-62	402 0058	L-62	402 0058	Fan cowl shield
L-20	402 0021	P-20	402 0023	Engine base stud	L-69	402 0060	L-69	402 0060	Ignition cable clamp
L-21	402 0025	L-21	402 0025	Lock washer			P-70-A	402 0063	Clamp plastic
L-22	402 0026	L-22	402 0026	Nut			P-71	402 0064	Sealing ring joint
L-24	402 0027	P-24	402 0028	Ignition cable grommet			P-72	402 0065	Joint carburetor flange and crankcase
L-30	402 2036	P-30	402 0030	Cylinder stud			P-73	414 0130	Plastic line
L-31	402 0015	P-31	402 0016	Lock washer			P-95	402 0067	Side cover gasket
L-32	402 2053	P-32	402 0018	Nut			P-97	402 0015	Cover lock washer
L-52	402 0034	P-52	402 0037	Sealing ring			P-98	402 0068	Side cover bolt
L-53	402 0015	L-53	402 0015	Lock washer			P-99	402 0071	Governor slot cover
L-53-A	402 0015	P-53-A	402 0015	Lock washer					

CRANKSHAFT AND PISTON

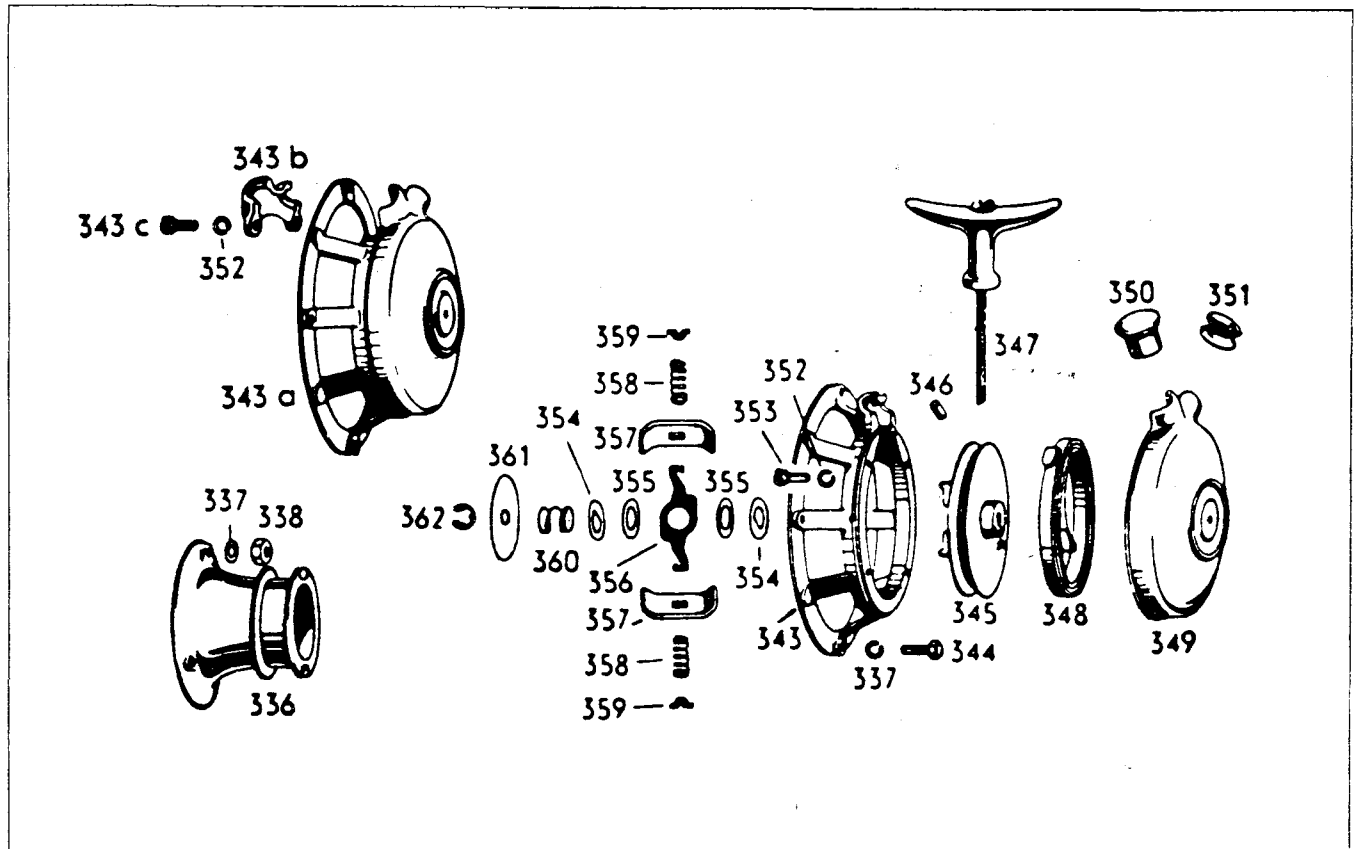


ITEM No.	PART No.	ITEM No.	PART No.	DESCRIPTION	ITEM No.	PART No.	ITEM No.	PART No.	DESCRIPTION
7 H.P.		8 H.P.			7 H.P.		8 H.P.		
L-8-A	402 1001			Oil seal magneto side	L-34	402 1059	P-34	402 1061	Piston pin
L-8	402 1001	P-8	402 1002	Crankshaft oil seal	L-35	402 1065	P-35	402 1066	Circlip
L-9	402 1004	P-9	402 1005	Crankshaft bearing	L-36	402 1069	P-36	402 1074	Piston ring
L-10	402 1009	P-10	402 1010	Crankshaft key	L-37	402 2004	P-37	402 2006	Cylinder flange gasket
L-13-A	402 1016	P-11	402 1012	Crankshaft sleeve	L-38	402 2009	P-38	402 2011	Cylinder head gasket
L-13-B	402 1017	P-13-A	402 1024	Crankshaft shim .3mm			P-39	402 2015	Intake flange gasket
L-13-C	402 1018	P-13-B	402 1025	Crankshaft shim .5mm	L-41	402 2019	P-40	402 2017	Carburator flange
L-14	402 1027	P-13-C	402 1026	Crankshaft shim .1mm	L-41-A	402 0015	P-41	402 2020	Intake flange stud
L-15	402 1031	P-14	402 1029	Crankshaft complete	L-41-B	402 2053	L-41-A	402 0015	Lock washer
L-16	402 1009	P-15	402 1032	Connecting rod bushing	L-42-A	402 2025	L-41-B	402 2053	Nut
L-28	402 1038	P-16	402 1010	Crankshaft key	L-42	402 2024			Cylinder head gasket
L-29	402 1042	P-17	402 1034	Breaker cam locator pin	L-43	402 0031	P-42	402 2028	Cylinder head washer
L-33	402 1048	P-25	402 1035	Cam spring washer	L-44	402 0032	P-43	402 2034	Cylinder head bolt
		P-26	402 1036	Breaker cam spring			P-44	402 2035	Cylinder head bolt
		P-27	402 1037	Breaker cam	L-47	402 2036	P-45	402 6001	De-compressor sealing ring
		P-28	402 1040	Crankshaft lock washer	L-48	402 2042	P-46	402 6002	De-compressor
		P-29	402 1043	Crankshaft nut	L-49	402 2042	P-47	402 2037	Exhaust flange stud
		P-33	402 1054	Piston complete with rings	L-90	402 1038	P-48	402 2043	Exhaust flange gasket
					L-91	402 1085	P-90	402 1084	Crankshaft lock washer
							P-91	402 1086	Crankshaft nut

IGNITION



ITEM No.	PART No.	ITEM No.	PART No.	DESCRIPTION	ITEM No.	PART No.	ITEM No.	PART No.	DESCRIPTION
7 H.P.		8 H.P.			7 H.P.		8 H.P.		
L-284	402 4006	P-284	402 4009	Flywheel dynamo magneto unit	L-306-A	402 7016	L-306-A	402 7016	Contact breaker shim .05 mm
L-286	402 4013	P-286	402 4016	Armature plate	L-307	402 7016	L-307	402 7016	Spring clip
L-288	402 4017	P-288	402 4018	Magneto ring	L-308	402 7016	L-308	402 7016	Washer
L-289	402 7016	P-289	402 4022	Armature plate washer	L-309	402 7016	L-309	402 7016	Lock washer
L-290	402 7016	P-290	402 4024	Armature plate lock washer	L-310	402 7016	L-310	402 7016	Bolt
L-291	402 4025	P-291	402 5001	Armature plate bolt	L-311	402 7016	L-311	402 7016	Bolt
		P-292	402 4027	Flywheel bolt	L-312	402 7016	L-312	402 7016	Washer
		P-293	402 0015	Lock washer	L-315	402 4059	P-315	402 4061	Shorting button cable
L-294	402 4029	P-294	402 4030	Magneto housing	L-316	402 7016	L-316	402 7016	Lock washer
L-297	402 4033	P-297	402 4034	Fan	L-317	402 7016	L-317	402 7016	Nut
		P-298	402 2053	Nut	L-318	402 4066	L-318	402 4066	Shorting button
L-298-A	402 0038			Fan bolt	L-319	402 4067	P-319	402 4068	Condenser without cable
L-298-B	402 4024			Lock washer	L-320	402 4069	P-320	402 4070	Condenser cable
L-298-C	402 4002			Nut	L-321	402 4071	L-321	402 4071	Lubricating wick
L-299	402 4036	P-299	402 4037	Armature plate only	L-323	402 4073	P-323	402 4074	Ignition cable
L-300	402 4038	P-300	402 4040	Ignition coil	L-324	402 4076	L-324	402 4076	Spark plug protector
L-301	402 7016	P-301	402 4024	Lock washer	L-327	402 4077	L-327	402 4077	Spark plug
L-302	402 4046	P-302	402 4048	Bolt	L-329	402 4083	P-329	402 4084	Lighting coil
L-303	402 4049	L-303	402 4049	Pivot pin	L-330	402 4085	L-330	402 4085	Light plug female
L-304	402 4050			Contact and breaker point set	L-331	402 4086	L-331	402 4086	Light plug male
					L-332	402 0064	L-332	402 0064	Isolating washer
					L-333	402 0015	L-333	402 0015	Lock washer
L-306	402 7016	L-306	402 7016	Contact breaker shim .1 mm	L-335	402 4088	P-335	402 4089	Stud



ITEM No.	PART No.	ITEM No.	PART No.	DESCRIPTION	ITEM No.	PART No.	ITEM No.	PART No.	DESCRIPTION
7 H.P.		8 H.P.			7 H.P.		8 H.P.		
L-336	402 5002	P-336	402 5003	Starting pulley	L-347	402 5017	L-347	402 5017	Rope with grip
L-337	402 0015	L-337	402 0015	Lock washer	L-347-A	402 5018	L-347-A	402 5018	Rope
L-338	402 2053	L-338	402 2053	Nut	L-347-B	402 5019	L-347-B	402 5019	Starter grip
L-339	402 5005	L-339	402 5005	Re-wind starter complete	L-348	402 5022	L-348	402 5022	Re-wind spring
L-343	402 5006	L-343	402 5006	Re-wind starter flange	L-350	402 5024	L-350	402 5024	Plug
L-343-A	402 5006	L-343-A	402 5006	One piece starter housing	L-351	402 5025	L-351	402 5025	Rope guide
L-343-B	402-5007	L-343-B	402 5007	Starter housing cover	L-352	402 4024	L-352	402 4024	Lock washer
L-343-C	402 5001	L-343-C	402 5001	Housing cover bolt	L-353	402 5001	L-353	402 5001	Bolt
L-344	402 4127	L-344	402 4127	Bolt	L-354	402 5026	L-354	402 5026	"D" washer
L-345	402 5013	L-345	402 5013	Rope sheave complete	L-355	402 5027	L-355	402 5027	Friction washer
L-346	402 5016	L-346	402 5016	Rope bolt	L-356	402 5028	L-356	402 5028	Pivot arm
					L-357	402 5029	L-357	402 5029	Pawl
					L-358	402 5030	L-358	402 5030	Pawl spring
					L-359	402 5031	L-359	402 5031	Pawl spring stop
					L-360	402 5032	L-360	402 5032	Friction spring
					L-361	402 5033	L-361	402 5033	Washer
					L-362	402 5034	L-362	402 5034	Circlip

PARTS SECTION

B. S. L. 22 R.

Model 1964

PARTS SECTION

B. S. L. 22 R.

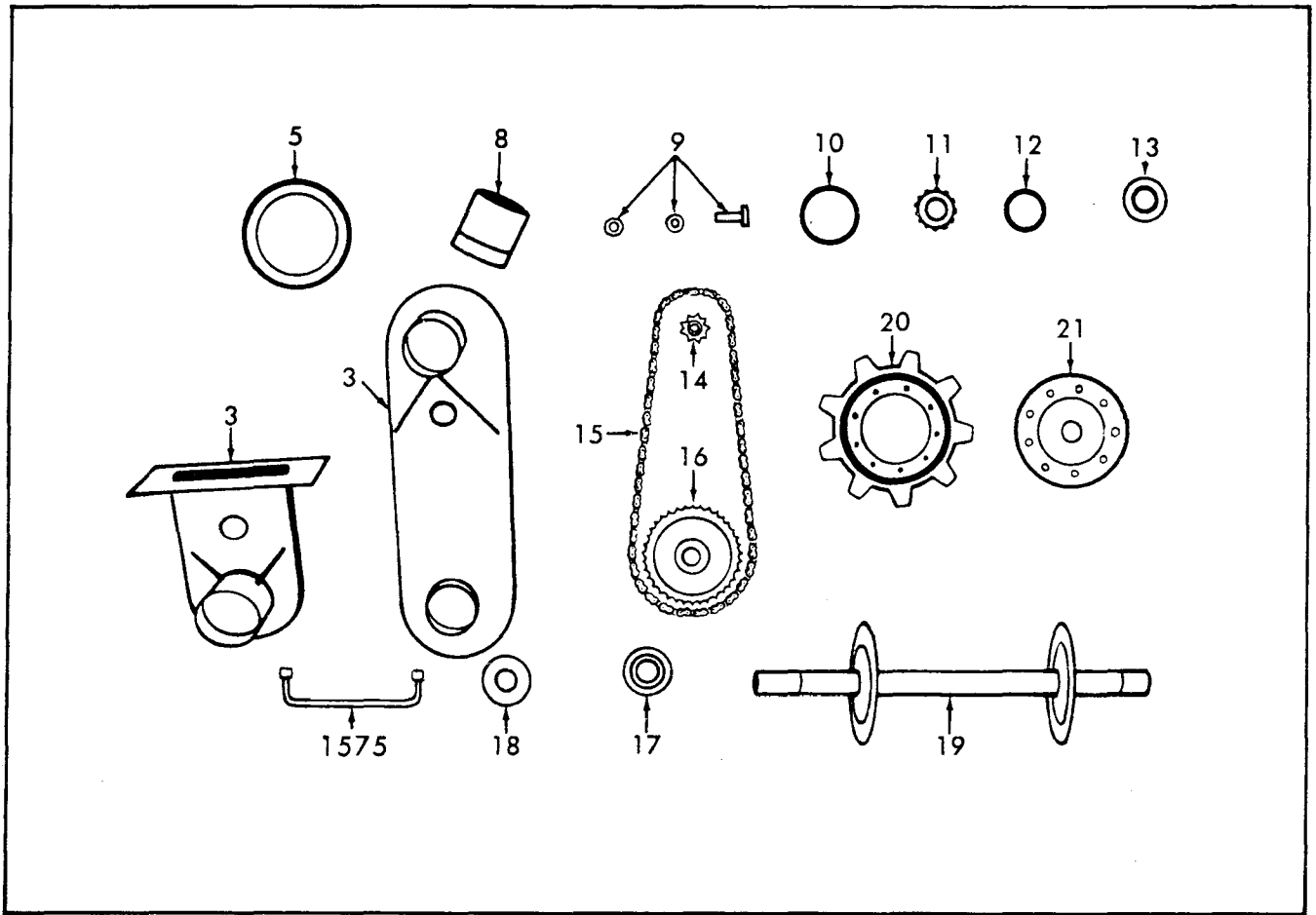
Model 1964

SPARE PARTS LIST

Follow the instructions given below for quick and accurate identification of parts.

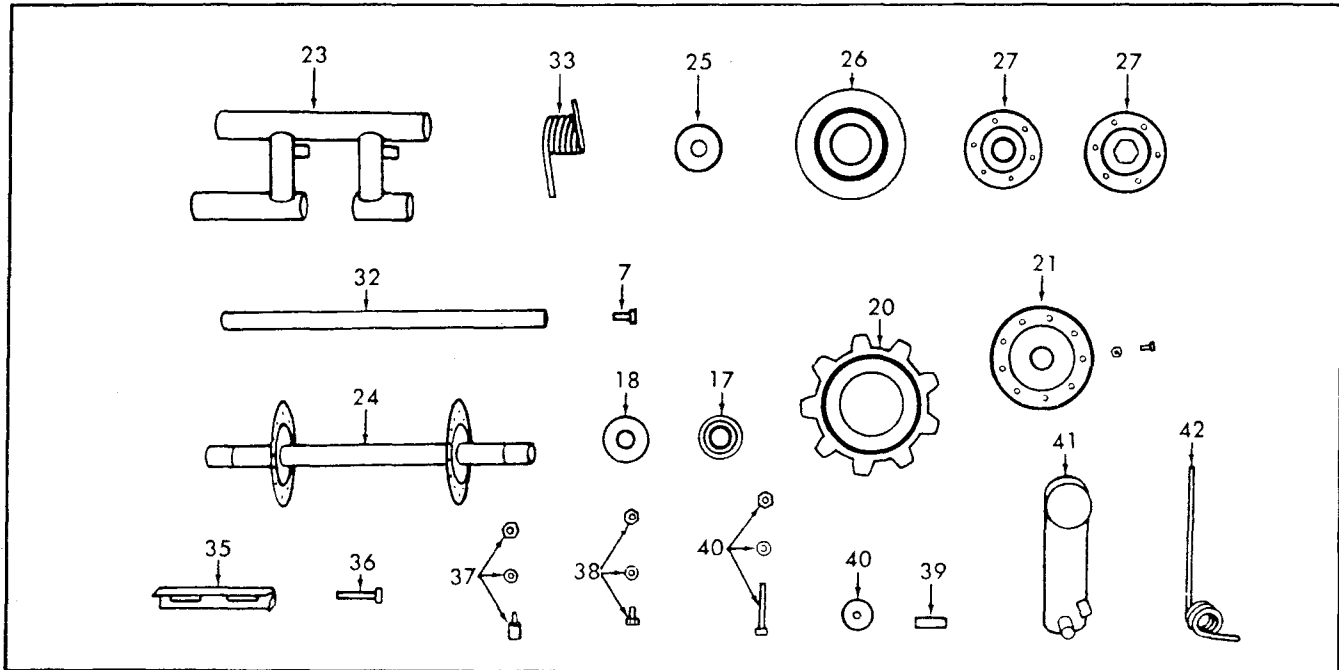
- A — Establish if your SKI-DOO is model AR, BR or RD.
Model AR has the 165 c.c. engine with 5 $\frac{7}{8}$ " drive pulley.
Model BR has the 250 c.c. engine with 7 $\frac{1}{2}$ " drive pulley.
Model RD has 2 tracks and the 250 c.c. engine.
- B — Select the reference number on the parts illustration.
- C — Using the same basic number, locate, in the parts list below the illustration, the complete part number and part name.
- D — The columns headed AR, BR and RD indicate which parts apply to each model and the quantity required per unit.
- E — The Rotax engine is covered in this manual.

DRIVE



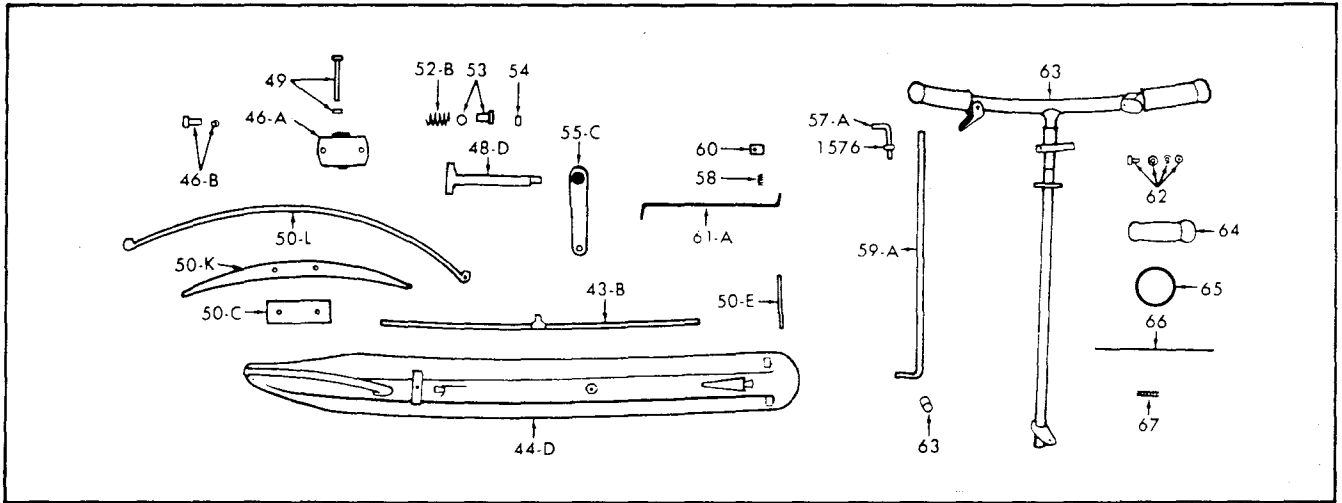
ITEM No.	PART No.	DESCRIPTION	QUANT.			ITEM No.	PART No.	DESCRIPTION	QUANT.		
			AR	BR	RD				AR	BR	RD
		TRACK				SK-12	405 0002	Tensioner bearing cup	2	2	
SK-1	570 0002	Track	1	1	2	SK-77-A	405 4004	Tensioner bearing			2
SK-2	570 0003	Track insert	116	116	232	SK-1582-A	504 1015	Outer bearing sleeve			1
		DRIVE				SK-1583-A	504 1017	Inner bearing sleeve			1
SK-3B	504 0003	Chain case	1	1		SK-13	406 3001	Oil seal	1	1	1
SK-3C	504 0004	Chain case			1	SK-14	504 0007	Chain drive sprocket	1	1	1
SK-1606	504 0020	Chain case shim	as	required		SK-15-B	412 1003	Driving chain	1	1	1
SK-5A	570 0403	Cover	1	1	1	W-1112	412 6001	Connecting link	1	1	1
SK-1565	570 0407	Chain case gasket			1	SK-16-A	504 0012	Chain driven sprocket	1	1	
SK-1575	504 0016	Chain case "U" clamp	2	2		SK-17-A	405 4002	Drive axle bearing	2	2	4
	386 6019	Stop nut	2	2		SK-18-A	581 1017	Drive axle bearing seal	2	2	4
SK-1564	386 6022	Chain case nut			6	SK-19-A	501 0002	Drive axle	1	1	
SK-8	504 0005	Chain tensioner	1	1		SK-19-B	501 0006	Drive axle			2
SK-8A	504 0006	Chain tensioner			1	SK-20	570 0101	Drive sprocket (rubber)	2	2	4
SK-9	300 4084	Tensioner bolt	1	1	1	SK-21	501 0005	Drive sprocket flange	2	2	4
	380 9024	Nut	1	1	1	SK-22-A	320 1062	Sprocket bolt	18	18	36
	391 0025	Washer	1	1	1		386 6013	Nut	18	18	36
SK-10	406 0001	Tensioner O ring	1	1	1	SK-1580	501 0007	End bearing housing			2
SK-11	405 0001	Tensioner bearing cone	2	2		SK-1579	300 0000	End bearing housing bolt			6
							392 0019	Lockwasher			6

WHEELS AND SUSPENSION



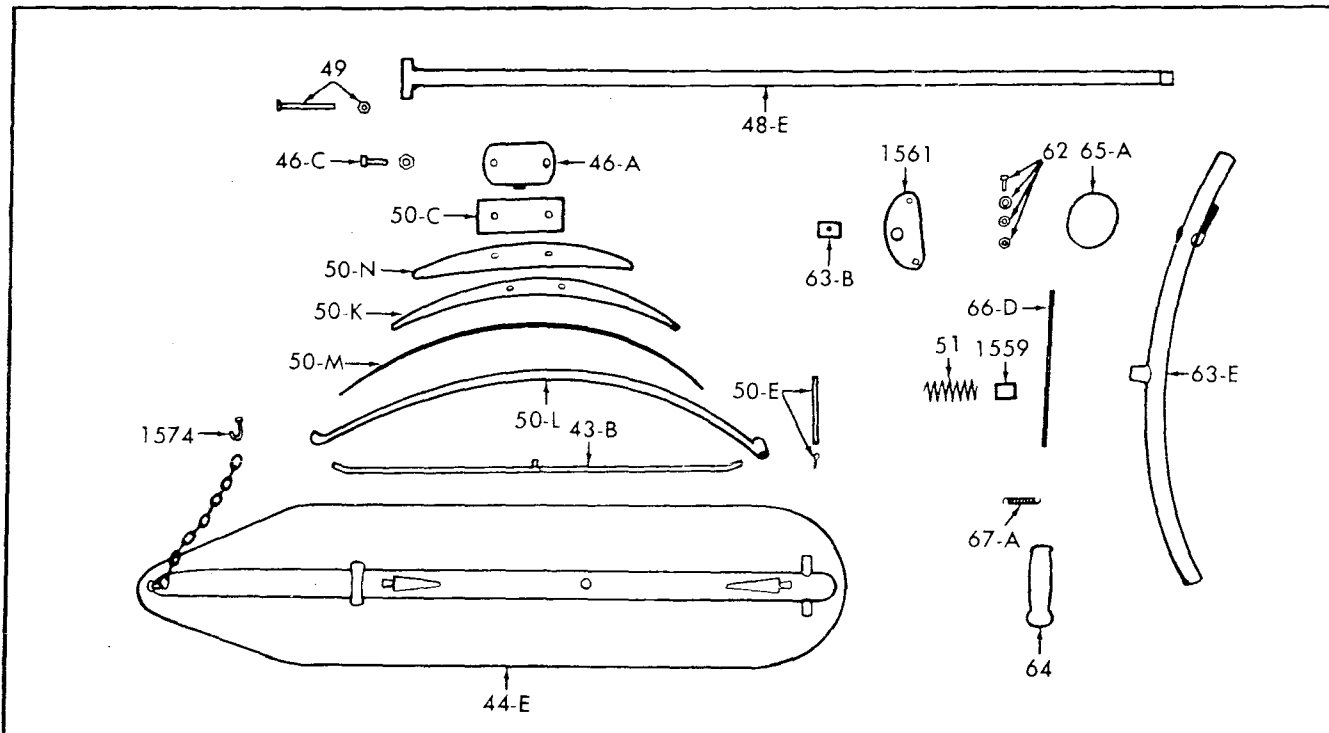
ITEM No.	PART No.	DESCRIPTION	QUANT.			ITEM No.	PART No.	DESCRIPTION	QUANT.		
			AR	BR	RD				AR	BR	RD
		WHEEL									
SK-23-B	502 0002	Wheel support	6	6	12	SK-34-C	503 0008	Adjuster bracket R.H.			1
SK-24-A	503 0002	Rear hub	1	1	2	SK-35-C	503 0012	Adjuster bracket L.H.			1
SK-17-A	405 4002	Wheel bearing	14	14	28	SK-36	309 8004	Adjusting screw	2	2	2
SK-25	502 0003	Leather seal	12	12	24	SK-36-A	309 8001	Adjusting screw (center)			2
SK-26-B	570 0203	Wheel tire	12	12	24	SK-37	503 0027	Adjusting eye bolt	2	2	2
SK-27-A	502 0005	Wheel flange inner	12	12	24	386 6022		Nut	2	2	2
SK-27-B	502 0005	Wheel flange outer	12	12	24	SK-37-A	503 0028	Adjusting eye bolt			2
SK-20	570 0101	Rear sprocket	2	2	4	386 6022		Nut (center)			2
SK-21	501 0005	Rear sprocket flange	2	2	4	SK-38	300 0041	Positioning bolt	2	2	4
SK-18-A	581 1017	Rear bearing seal	2	2	4	386 6022		Nut	2	2	4
SK-22-A	320 1062	Wheel bolt	126	126	252	391 0023		Washer	2	2	4
	386 6013	Nut	126	126	252	SK-1581	503 0026	Adjusting screw buffer			2
		SUSPENSION				SK-39-A	503 0014	Adjuster sleeve	2	2	4
SK-32-A	502 0008	Cross shaft	3	3	6	SK-40-B	300 0047	Adjuster bolt	2	2	4
SK-7	300 8043	Bolt	6	6	12	386 6022		Nut	2	2	4
	392 0022	Lockwasher	6	6	12	SK-40-A	503 0016	Spring retainer washer	2	2	4
SK-33-A	502 0010	Suspension spring	6	6	12	SK-41-AR	503 0021	Adjuster link plate R.H.	1	1	2
SK-34-A	503 0006	Adjuster bracket R.H.	1	1		SK-41-AL	503 0019	Adjuster link plate L.H.	1	1	2
SK-35-A	503 0010	Adjuster bracket L.H.	1	1		SK-42-AR	503 0025	Link plate spring R.H.	1	1	2
SK-34-B	503 0007	Adjuster bracket inside R.H.			1	SK-42-AL	503 0023	Link plate spring L.H.	1	1	2
SK-35-B	503 0011	Adjuster bracket inside L.H.			1						

CONTROL PARTS - AR - BR



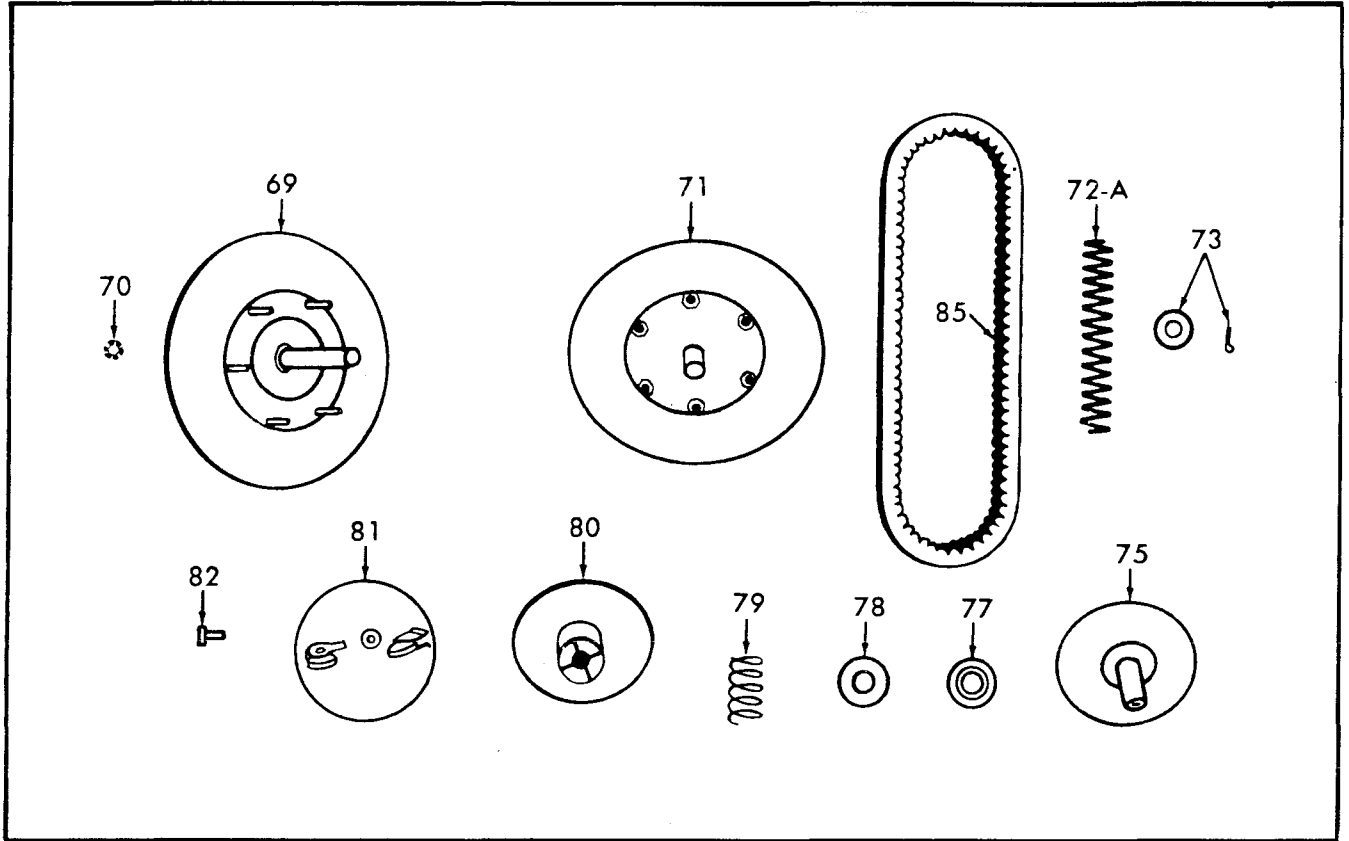
ITEM No.	PART No.	DESCRIPTION	QTY.		ITEM No.	PART No.	DESCRIPTION	QTY.	
			AR	BR				AR	BR
		SKI			SK-62	300 0001	Handle bar attaching bolt	1	1
SK-43-B	505 0002	Runner shoe	2	2		386 6019	Nut	1	1
	380 6019	Nut	2	2		391 0023	Washer	1	1
SK-44-D	505 0040	Ski runner	2	2	SK-62-A	300 0003	Handle bar attaching bolt	1	1
SK-1593	505 0020	Spring slider cushion	2	2		386 6019	Nut	1	1
SK-50-E	505 0017	Spring pin	2	2		391 0021	Washer	1	1
	371 0011	Cotter pin	2	2	SK-63-D	506 0030	Handle bar	1	1
SK-50-L	505 0016	Main leaf spring	2	2	SK-63-B	506 0029	Steering shaft sleeve (Lower)	1	1
SK-50-K	505 0013	Auxiliary leaf spring 18"	2	2	SK-64	414 0002	Handle bar grip	2	2
SK-50-C	570 0502	Rebound leaf spring	2	2			THROTTLE		
SK-46-A	505 0011	Spring coupler	2	2	SK-65-C	510 0003	Throttle cable	1	1
SK-46-B	300 0083	Coupler bolt	4	4	SK-1594	409 0012	Throttle cable clip	2	2
	386 6024	Nut	4	4	SK-1602	414 0082	Throttle cable protector	1	1
SK-49	309 8002	Ski leg bolt	2	2	SK-66-C	414 0063	Throttle cable housing	1	1
	386 6022	Nut	2	2	SK-67-A	414 0008	Throttle return spring		1
SK-48-D	506 0004	Ski leg	2	2	SK-1558	510 0001	Return spring bracket	1	
SK-52-B	414 0127	Upper coil spring	2	2	SK-67-B	414 0009	Throttle return spring	1	
SK-53	560 6001	Upper ski leg bolt	2	2	SK-68-B	510 0010	Throttle cable housing clip	1	1
	392 0026	Lockwasher	2	2	SK-68-C	321 7061	Housing clip bolt	1	1
SK-54	408 2001	Ski leg grease fitting	2	2		335 1013	Nut	1	1
		STEERING				392 0014	Lockwasher	1	1
SK-55-C	506 0014	Steering arm	2	2	SK-1591	506 0040	Throttle and brake lever	2	2
SK-58	414 0109	Spring	3	3		390 9001	Rivet	2	2
SK-1585	391 0025	Tie rod spring washer	3	3			BRAKE		
	371 0031	Cotter pin	3	3	SK-1527-B	507 0004	Brake handle with lining	1	1
SK-59-A	506 0022	Lower tie rod	1	1	SK-1528	507 0006	Brake lining	1	1
	506 0018	Tie rod end R.H.	1	1	SK-1530-A	507 0009	Brake bracket hinge pin	1	1
	506 0017	Tie rod end L.H.	2	2	SK-1553	507 0014	Cable housing clip	1	1
	389 8016	Nut	2	2	SK-1554	510 0004	Brake cable	1	1
	380 6024	Nut	2	2	SK-1594	409 0012	Brake cable clip	2	2
SK-60	506 0023	Tie rod swivel	1	1	SK-1602	414 0082	Brake cable protector	1	1
SK-61-A	506 0043	Steering rod	1	1	SK-1555-A	507 0019	Brake cable housing	1	1
	506 0044	Center tie rod	1	1	SK-1601	507 0023	Brake return spring	1	1

CONTROL PARTS - RD



ITEM No.	PART No.	DESCRIPTION	QTY.	ITEM No.	PART No.	DESCRIPTION	QTY.
		SKI		SK-62	300 0001	Handle bar attaching bolt	2
SK-43-B	505 0002	Runner shoe	1		386 6019	Nut	2
	380 6019	Nut	1		391 0023	Washer	2
SK-44-E	505 0004	Ski runner	1	SK-63-E	506 0031	Handle bar	1
SK-1593	505 0020	Ski slider cushion	1	SK-1607	506 0029	Steering shaft sleeve (lower)	1
SK-1599	570 0501	Ski front retaining cable	1	SK-64	414 0002	Handle bar grip	2
SK-1600	505 0022	Retaining cable union link	2	SK-1586	300 0046	Handle bar bolt	1
SK-1574	517 0070	Ski runner chain clamp	1		392 0022	Lockwasher	1
SK-50-E	505 0017	Spring pin	1	SK-51	414 0172	Steering shaft upper spring	1
	371 0011	Cotter pin	1	SK-1559	506 0038	Steering shaft upper bushing	1
SK-50-L	505 0016	Main leaf spring	1			THROTTLE	
SK-50-M	505 0014	First auxiliary leaf spring 23"	1	SK-65-A	510 0002	Throttle cable	1
SK-50-K	505 0013	Second auxiliary leaf spring 18"	1	SK-1594	409 0012	Throttle cable clip	2
SK-50-N	505 0015	Third auxiliary leaf spring 13"	1	SK-1602	414 0082	Throttle cable protector	1
SK-50-C	570 0502	Rebound leaf spring	1	SK-66-D	510 0007	Throttle cable housing	1
SK-46-A	505 0011	Spring coupler	1	SK-67-A	414 0008	Throttle return spring	1
SK-46-C	300 8084	Coupler bolt	2	SK-68-B	510 0010	Throttle cable housing clip	1
	386 6024	Nut	2	SK-68-C	321 7061	Housing clip bolt	1
SK-49	309 8002	Ski attaching bolt	1		385 1013	Nut	1
	386 6022	Nut	1		392 0014	Lockwasher	1
		STEERING		SK-1591	506 0040	Throttle lever	1
SK-48-E	506 0005	Ski-leg	1		390 9001	Rivet	1
SK-1561	506 0039	Steering shaft bracket	1				

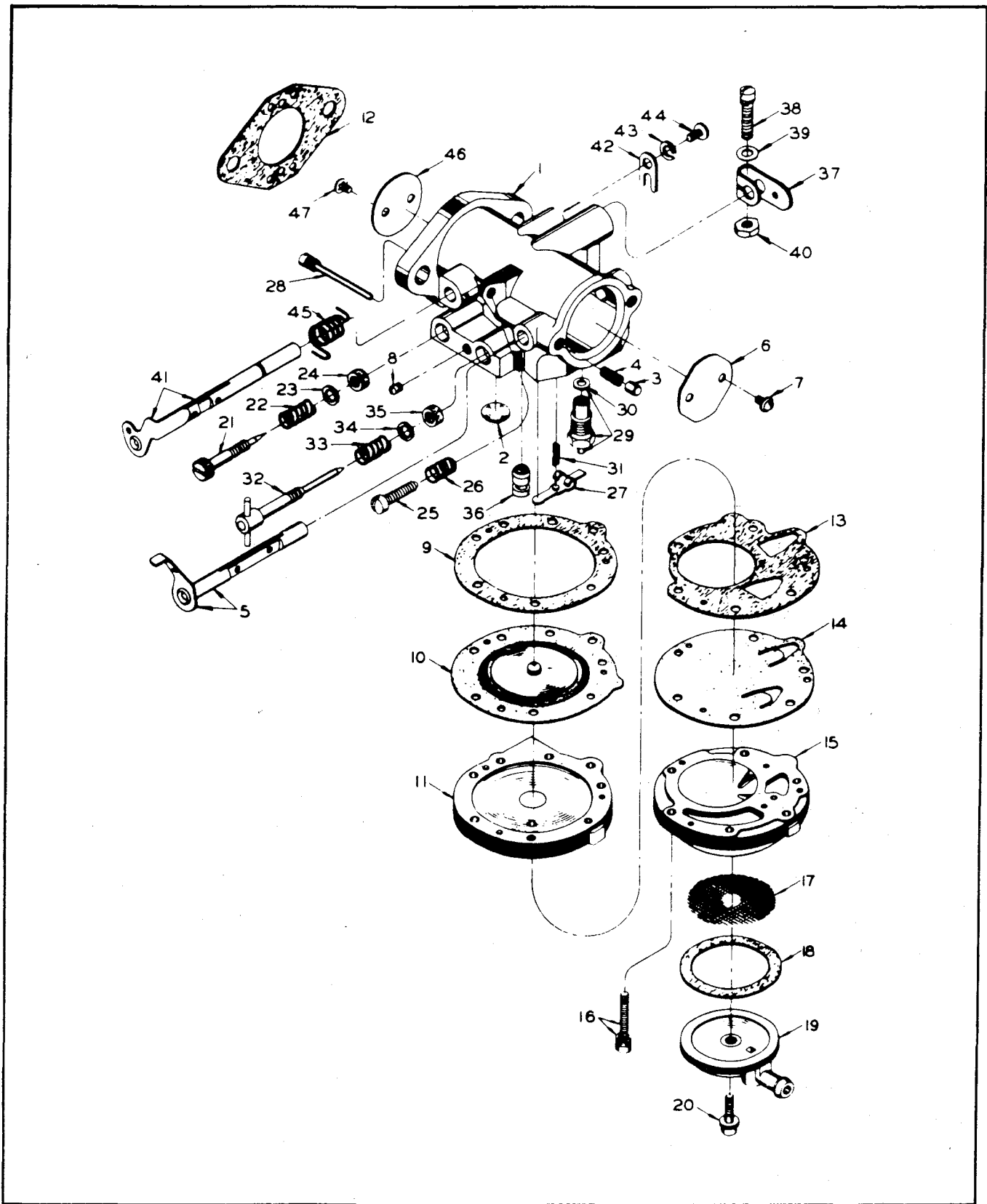
TRANSMISSION



ITEM No.	PART No.	DESCRIPTION	QUANT.			ITEM No.	PART No.	DESCRIPTION	QUANT.		
			AR	BR	RD				AR	BR	RD
		TRANSMISSION				SK-1579	300 0000	Support outer plate bolt			8
SK-69	581 1009	Driven pulley ass'y	1	1		392 0019	Lockwasher			8	
SK-69-A	581 3004	Driven pulley ass'y			1	SK-73	504 1022	Spring seat and	1	1	
SK-1603	406 0002	Driven pulley "O" ring			1		372 1123	cotter pin	1	1	
SK-1584	504 1018	Driven pulley shaft lock ring			2	SK-75-E	504 2005	Drive pulley inner half	1		
SK-70	381 2028	Shaft nut	1	1	1	SK-75-F	504 2006	Drive pulley inner half	1	1	
	371 0011	Cotter pin	1	1	1	SK-77-A	405 4004	Clutch bearing	1	1	1
SK-70-A	504 0015	Shaft washer	1	1		SK-78-A	504 2012	Clutch spring seat	1	1	1
SK-72-A	504 1003	Driven pulley pressure spring	1	1		SK-79-B	414 0012	Clutch release spring	1		
SK-72-C	504 1005	Driven pulley pressure spring			1	SK-79-C	414 0013	Clutch release spring		1	1
SK-1577	386 6019	Plate bolt nut			8	SK-80-C	504 2015	Drive pulley outer half	1		
SK-1595	504 1019	Driven pulley shaft support			1	SK-80-D	504 2016	Drive pulley outer half		1	1
SK-1596	504 1021	Support outer plate			1	SK-81-B	504 2021	Centrifugal governor ass'y		1	
SK-1580	501 0007	End bearing housing			1	SK-81-C	504 2022	Centrifugal governor ass'y			1
SK-17-A	405 4002	Support plate bearing			1	SK-82-A	300 0152	Centrifugal governor bolt	1	1	1
SK-18-A	581 1017	Bearing seal			1	SK-85	570 0409	Drive belt		1	1
						SK-85-A	570 0410	Drive belt	1		

ITEM No.	PART No.	DESCRIPTION	QUANT.			ITEM No.	PART No.	DESCRIPTION	QUANT.		
			AR	BR	RD				AR	BR	RD
		ENGINE				SK-114-B	410 9004	Headlamp ring	1	1	1
SK-93-D	512 0009	Engine support		2	2	SK-114-C	355 0010	Headlamp ring screw	1	1	1
SK-93-E	512 0010	Engine support	2			SK-117-B	410 9011	Tail lamp lens	1	1	1
SK-95-B	570 1201	Engine support insulator kit	1	1	1	SK-118-B	410 5005	Tail lamp bulb	1	1	1
SK-94-A	512 0016	Engine bracket	1					BODY			
SK-94-B	512 0017	Engine bracket		1	1	SK-101-E	517 0002	Windshield	1	1	
SK-1566	512 0025	Engine bracket bushing 3/8"	4			SK-101-D	517 0001	Windshield			1
SK-1567	512 0026	Engine bracket bushing 7/8"		4	4	SK-102-A	363 0034	Windshield screw	7	7	5
SK-1568	512 0027	Engine bracket bushing 1 1/8"		2	2	SK-102-B	321 7003	Windshield bolt			4
SK-1569	512 0028	Engine bracket bushing 1/2"		2	2	385 8007		Nut			4
SK-6	300 0041	Engine bracket bolt	4			SK-103-B	517 0008	Windshield moulding	1	1	
	380 7022	Nut	4			SK-103-C	517 0009	Windshield moulding			1
	392 0022	Lockwasher	4			SK-1570	571 1710	Front hood	1	1	
SK-97-B	300 0045	Engine bracket bolt		2	2	SK-1570-A	571 1711	Front hood			1
	380 7022	Nut		2	2	SK-102-C	321 7041	Hood screw	19	19	21
	392 0022	Lockwasher		2	2	385 7011		Nut	19	19	21
SK-1545-B	300 0048	Engine bracket bolt		2	2	SK-1571-A	389 8010	Hood nut	19	19	21
	380 7022	Hex nut		2	2	SK-1572	517 0065	Compartment door hinge rod	1	1	1
		FUEL				SK-1590	571 1705	Compartment door	1	1	1
SK-86-G	414 0130	Fuel line	28"	28"	32"	SK-105	517 0013	Seat cushion ass'y	1	1	
SK-86-E	513 0035	Fuel line adapter at tank	1	1	1	SK-105-A	517 0014	Seat cushion ass'y			1
SK-88-A	414 0014	Fuel tank cap	1	1	1	SK-105-B	517 0015	Seat cushion leatherette			1
SK-89	408 0002	Fuel tank drain plug	1	1	1	SK-105-C	517 0016	Seat cushion leatherette	1	1	
		EXHAUST				SK-106-C	517 0023	Back rest cushion leatherette			1
SK-91-S	514 0017	Muffler pipe spring	1	1		SK-106-D	517 0024	Back rest cushion leatherette	1	1	
SK-91-P	514 0014	Muffler pipe	1	1		SK-106-A	517 0021	Back rest cushion ass'y	1	1	
SK-91-T	514 0018	Muffler pipe			1	SK-106-B	517 0022	Back rest cushion ass'y			1
SK-1604	514 0021	Muffler pipe spring seat			2	SK-1587	300 0004	Back rest bolt			2
SK-1605	514 0017	Muffler pipe spring			1	386 6019		Stop nut			2
		ELECTRICAL				SK-1588	414 0079	Seat hinge			2
SK-114-A	410 6002	Headlamp ass'y	1	1	1	SK-1589	324 8061	Seat hinge bolt			6
SK-119	410 6006	Sealed beam	1	1	1	385 1013		Nut			6
SK-1548-B	515 0017	Headlamp base washer	1	1		SK-1589-A	321 6061	Seat hinge bolt			4
SK-117-A	410 6005	Tail lamp	1	1	1	385 1013		Nut			4
						SK-1573	517 0066	Ski holder			1
						SK-1563	300 0006	Ski holder bolt			4
						380 6019		Nut			4
						392 0019		Washer			4
						SK-107-E	517 0032	Pulley guard	1		
						SK-107-F	517 0034	Pulley guard		1	1

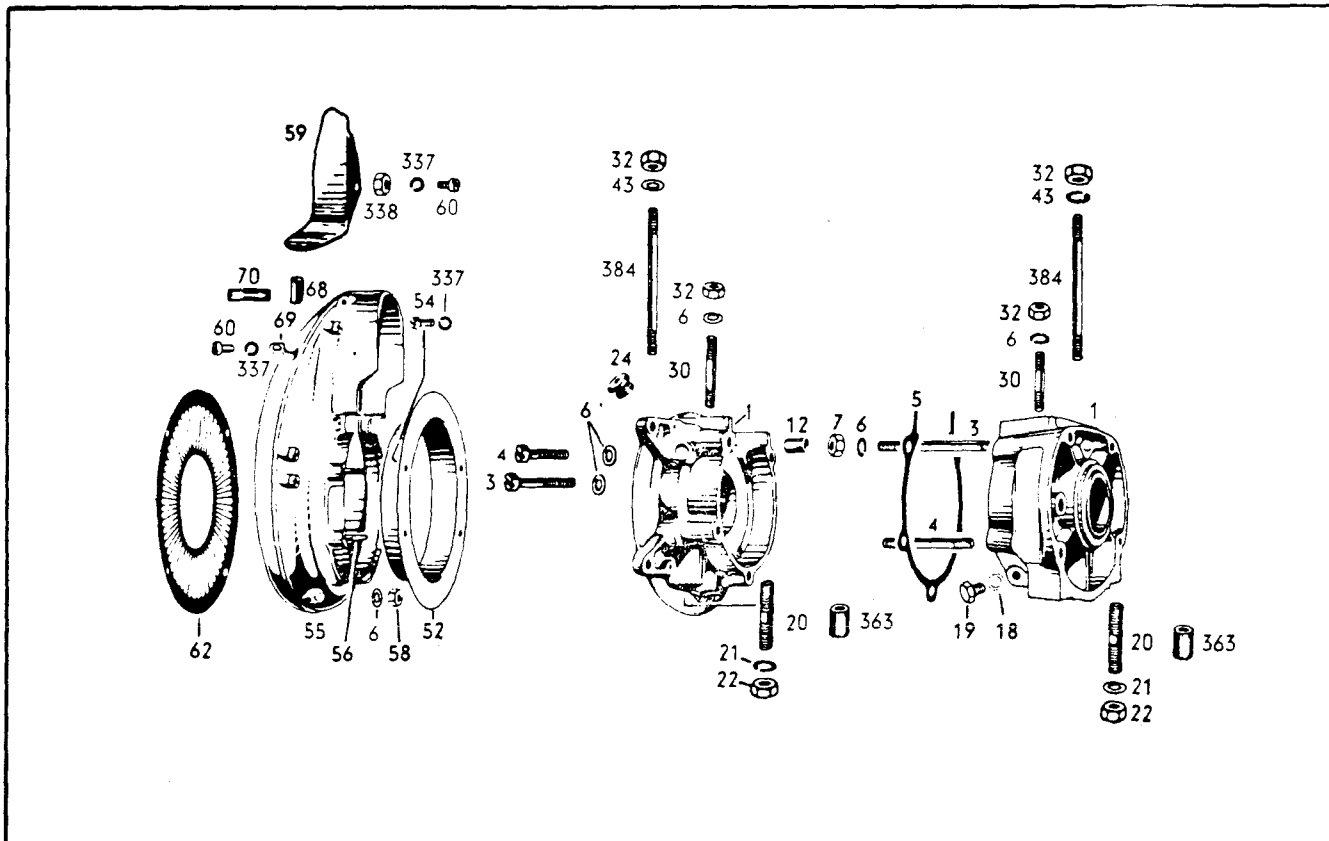
CARBURETOR



ITEM No.	PART No.	DESCRIPTION	ITEM No.	PART No.	DESCRIPTION
SK-1532	403 0005	Carburator assembly	T-26	404 0067	*Idle speed regulating screw spring
T-1	404 0001	Body	T-27	404 0069	*Inlet control lever
T-2	404 0010	*Body channel welch plug	T-28	404 0071	*Inlet control lever pinion screw
T-3	404 0012	Choke friction plug	T-29	404 0074	*Inlet needle, seat and gasket
T-4	404 0014	Choke friction spring	T-30	404 0078	Inlet seat gasket
T-5-A	404 0016	Choke shaft and lever	T-31	404 0081	*Inlet tension spring
T-6-A	404 0023	Choke shutter	T-32-A	404 0084	*Main adj. screw
T-8	404 0029	Diaphragm chamber drain screw	T-33	404 0056	*Main adj. screw spring
T-9	404 0030	Diaphragm gasket	T-34	404 0057	Main adj. screw washer
T-10	404 0032	*Diaphragm	T-35	404 0059	Main Adj. screw packing
T-11	404 0034	Diaphragm cover	T-36-A	404 0086	Nozzle check valve
T-12	404 0038	Flange gasket	T-37	404 0090	Throttle lever arm
T-13-A	404 0041	Fuel pump gasket	T-38	404 0091	*Throttle lever ret. screw and lockwasher
T-14	404 0042	*Fuel pump diaphragm	T-39	404 0092	*Throttle lever ret. washer
T-15	404 0045	Fuel pump body	T-40	404 0093	*Throttle lever ret. nut
T-16	404 0047	Fuel pump body screw and lockwasher	T-41-A	404 0095	Throttle shaft and lever
T-17	404 0049	*Fuel strainer screen	T-42	404 0102	Throttle shaft clip
T-18	404 0050	Fuel strainer cover gasket	T-43	404 0105	Throttle shaft clip lockwasher
T-19	404 0051	Fuel strainer cover	T-44	404 0106	Throttle shaft clip ret. screw
T-20	404 0052	*Fuel strainer cover ret. screw	T-45	404 0107	*Throttle shaft return spring
T-21	404 0053	*Idle adj. screw	T-46-A	404 0113	Throttle shutter
T-22	404 0056	*Idle adj. screw spring	T-47	404 0028	*Throttle shutter screw
T-23	404 0057	Idle adj. screw washer	T-48-A	404 0118	*Gasket and packing set
T-24	404 0059	Idle adj. screw packing	T-49-A	404 0124	Repair parts kit
T-25	404 0064	*Idle speed regulating screw			

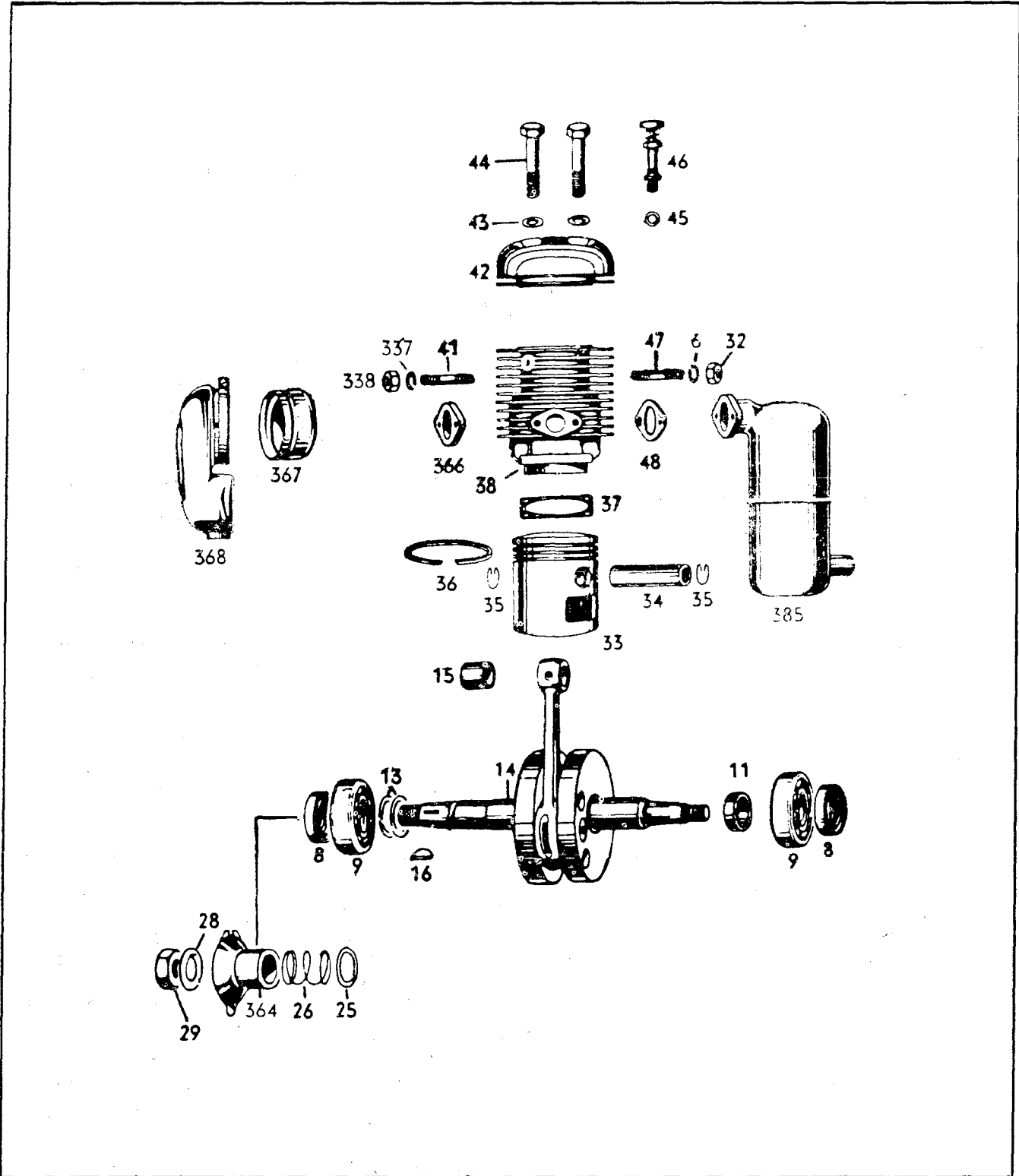
* indicates contents of Repair Parts Kit.

CRANKCASE



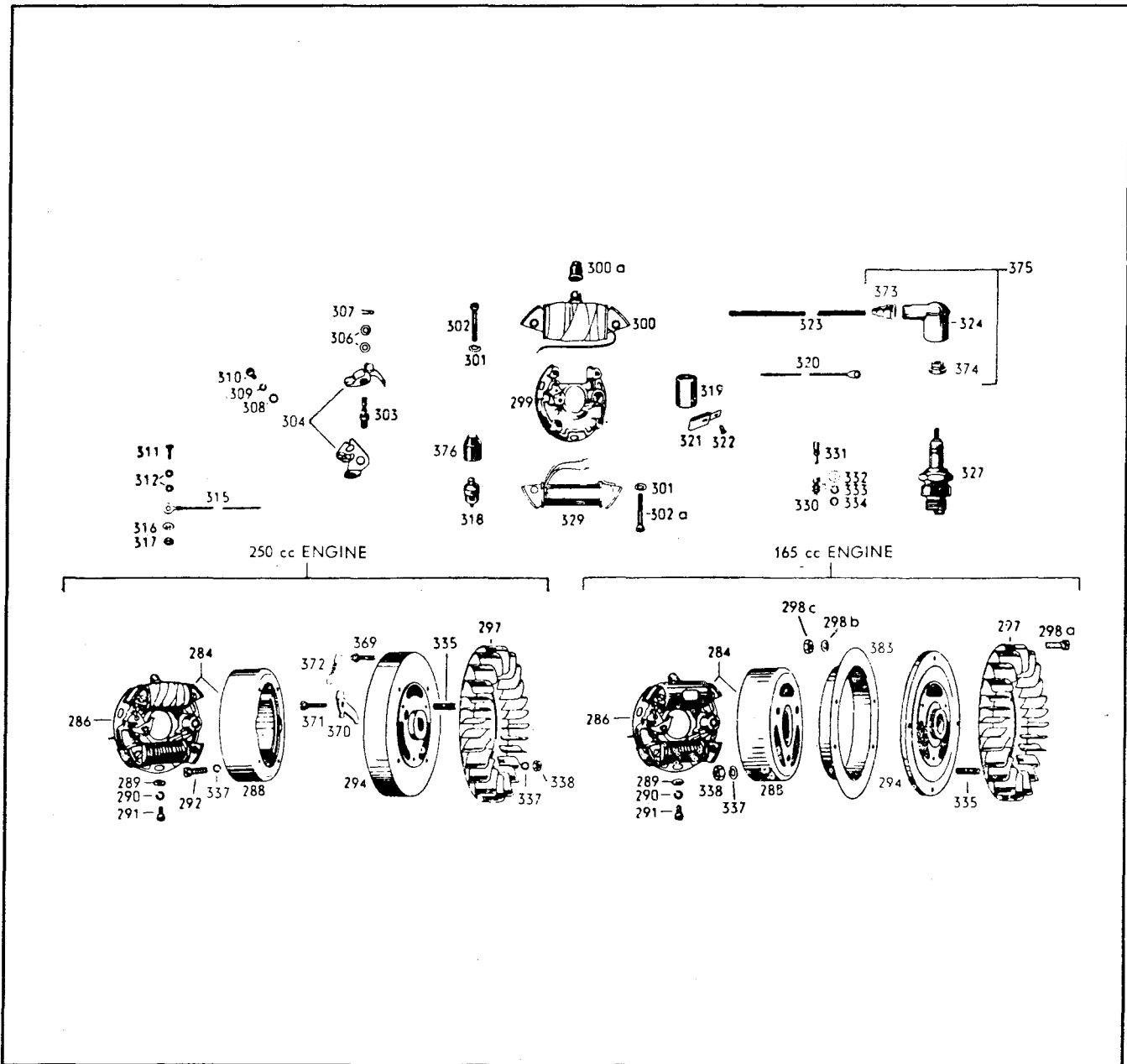
ITEM No.	PART No.	ITEM No.	PART No.	DESCRIPTION	ITEM No.	PART No.	ITEM No.	PART No.	DESCRIPTION
	165 c.c.		250 c.c.			165 c.c.		250 c.c.	
L-1-A	402 0002	P-1	402 0003	Crankcase complete	L-43	402 0031			Cylinder head washer
L-3	402 0006	P-3	402 0007	Crankcase bolt			P-52	402 0037	Sealing ring
L-44-A	402 0033	P-4	402 0009	Crankcase bolt			P-54	402 0040	Screw
L-5-A	402 0012	P-5	402 0014	Crankcase gasket	L-55	402 0042	P-55	402 0044	Fan cowl complete
L-6	402 0015	P-6	402 0016	Lock washer	L-56	402 2036	P-56	402 0030	Fan cowl stud
		P-7	402 0018	Hex. nut	L-58	402 2053	P-58	402 0018	Fan cowl nut
L-12	402 1014	P-12	402 1015	Crankcase dowel tube	L-59	402 0048			Fan cowl baffle
L-18	402 0019	L-18	402 0019	Oil drain sealing washer	L-60	402 0040	L-60	402 0040	Bolt
L-19	402 0020	L-19	402 0020	Oil drain screw	L-62	402 0058	L-62	402 0058	Fan cowl shield
L-20-A	402 0022	P-20	402 0023	Engine base stud	L-68	402 0059			Rubber sleeve
L-21	402 0025	L-21	402 0025	Lock washer	L-69	402 0060	L-69	402 0060	Ignition cable clamp
L-22	402 0026	L-22	402 0026	Nut	L-337	402 0015	L-337	402 0015	Lock washer
L-24	402 0027	P-24	402 0028	Ignition cable grommet	L-338	402 2053			Nut
		P-30	402 0030	Cylinder stud	L-363	402 0073			Distance sleeve, engine base
P-32	402 0018	P-32	402 0018	Nut	L-384	402 0074			Stud holding cylinder

CRANKSHAFT AND PISTON



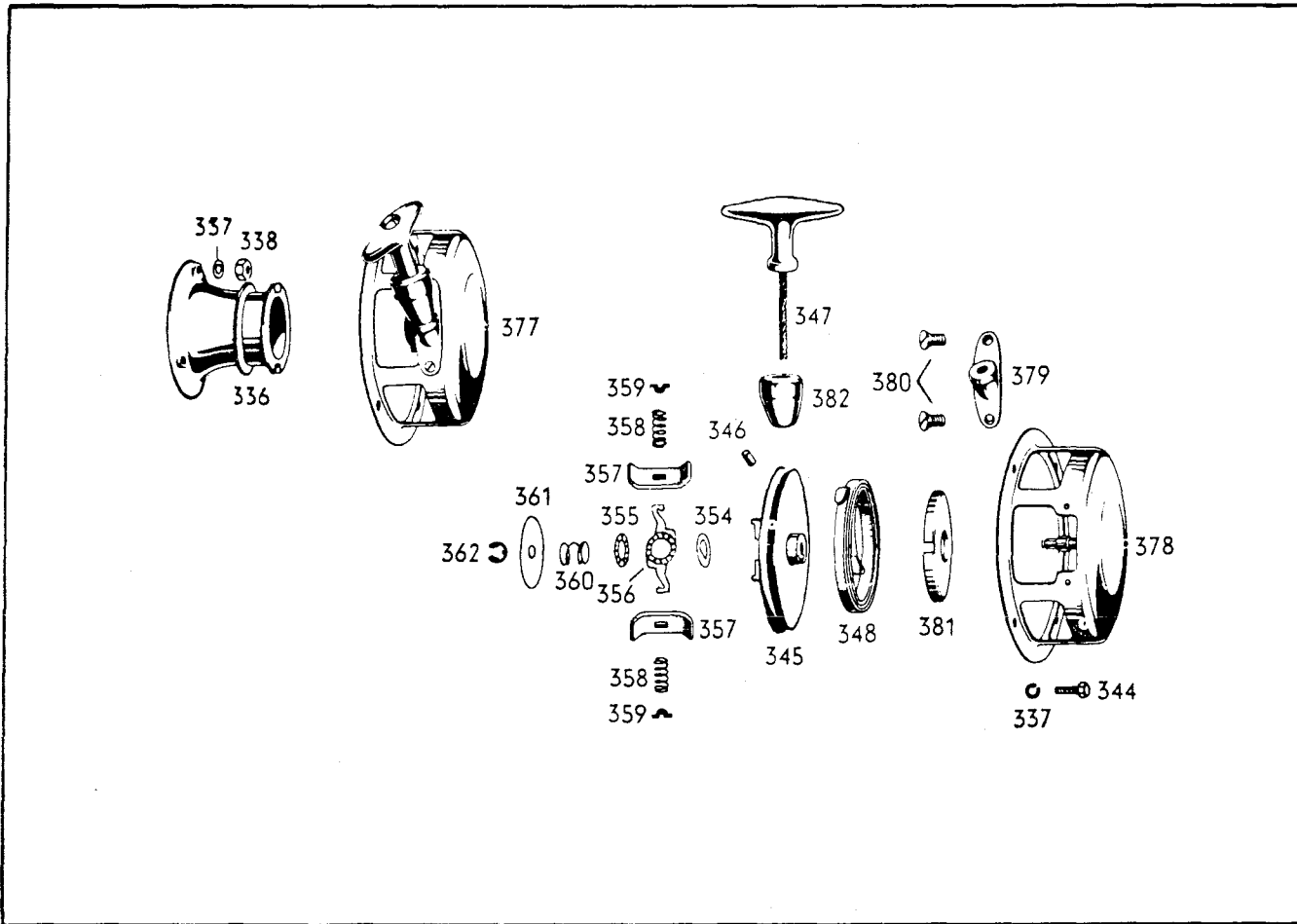
ITEM No.	PART No.	ITEM No.	PART No.	DESCRIPTION	ITEM No.	PART No.	ITEM No.	PART No.	DESCRIPTION
165 c.c.		250 c.c.			165 c.c.		250 c.c.		
P-6	402 0016	P-6	402 0016	Lock washer	L-33-A	402 1044	P-33	402 1054	Piston complete with rings
L-8	402 1001	P-8	402 1002	Crankshaft oil seal	L-34-A	402 1060	P-34	402 1061	Piston pin
L-9	402 1004	P-9	402 1005	Crankshaft bearing	P-35	402 1066	P-35	402 1066	Circlip
L-11-A	402 1011	P-11	402 1012	Crankshaft sleeve	L-36-A	402 1081	P-36	402 1074	Piston ring
		P-13	402 1023	Crankshaft shim .2 mm	L-37-A	402 2005	P-37	402 2006	Cylinder flange gasket
L-13-A	402 1016	P-13-A	402 1024	Crankshaft shim .3 mm	L-38-A	402 2010	P-38	402 2011	Cylinder
L-13-B	402 1017	P-13-B	402 1025	Crankshaft shim .5 mm	P-41-A	402 2021	P-41-A	202 2021	Intake flange stud
L-13-C	402 1018	P-13-C	402 1026	Crankshaft shim 1.0 mm	P-42-B	402 2029	P-42	402 2028	Cylinder head
L-13-D	402 1019			Crankshaft shim .2 mm			P-43	402 2034	Cylinder head washer
L-13-E	402 1020			Crankshaft shim .4 mm			P-44	402 2035	Cylinder head bolt
L-13-F	402 1021			Crankshaft shim .8 mm			P-45	402 6001	De-compressor sealing ring
L-13-G	402 1022			Crankshaft shim .15 mm			P-46	402 6002	De-compressor
L-14-A	402 1028	P-14	402 1029	Crankshaft complete	P-47	402 2037	P-47	402 2037	Exhaust flange stud
P-15	402 1032	P-15	402 1032	Connecting rod bushing	P-48	402 2043	P-48	402 2043	Exhaust flange gasket
L-16	402 1009	P-16	402 1010	Crankshaft key	L-337	402 0015	L-337	402 0015	Lock washer
		P-25	402 1035	Cam spring washer	L-338	402 2053	L-338	402 2053	Nut
		P-26	402 1036	Breaker cam spring			P-364	402 1087	Breaker cam complete
L-28	402 1038	P-28	402 1040	Crankshaft lock washer	L-366	402 2054	P-366	402 2054	Isolating flange
L-29	402 1042	P-29	402 1043	Crankshaft nut	L-367	402 3005	L-367	402 3005	Silencer adapter
P-32	402 0018	P-32	402 0018	Exhaust flange nut	L-368	402 3010	L-368	402 3010	Air intake silencer complete
					L-385	402 2060	L-385	402 2060	Muffler complete

IGNITION



ITEM No.	PART No.	ITEM No.	PART No.	DESCRIPTION	ITEM No.	PART No.	ITEM No.	PART No.	DESCRIPTION
165 c.c.		250 c.c.			165 c.c.		250 c.c.		
L-284	402 4006	P-284	402 4009	Flywheel dynamo magneto unit complete	L-315	402 4059	P-315	402 4061	Shorting button cable
L-286	402 4013	P-286	402 4016	Armature plate complete	L-316	402 7016	L-316	402 7016	Lock washer
L-288	402 4017	P-288	402 4018	Magneto ring	L-317	402 7016	L-317	402 7016	Nut
L-289	402 7016	P-289	402 4022	Armature plate washer	L-318	402 4066	L-318	402 4066	Shorting button
L-290	402 7016	P-290	402 4024	Armature plate lock washer	L-319	402 4067	P-319	402 4058	Condenser without cable
L-291	402 4025	P-291	402 5001	Armature plate bolt	L-320	402 4069	P-320	402 4070	Condenser cable
		P-292	402 4027	Flywheel bolt	L-321	402 4071	L-321	402 4071	Lubricating wick
L-294	402 4029	P-294-A	402 4105	Magneto housing	L-322	402 4072	L-322	402 4072	Pivot, lubricating wick
L-297	402 4033	P-297	402 4034	Fan	L-323	402 4073	P-323	402 4074	Ignition cable
L-298-A	402 0038			Fan bolt	L-324	402 4076	P-324	402 4076	Spark plug protector
L-298-B	402 4024			Lock washer	L-327	402 4077	L-327	402 4077	Spark plug
L-298-C	402 4002			Nut	L-329	402 4083	P-329	402 4084	Lighting coil
L-299	402 4036	P-299	402 4037	Armature plate only	L-330	402 4085	L-330	402 4085	Light plug female
L-300	402 4038	P-300	402 4040	Ignition coil	L-331	402 4086	L-331	402 4086	Banana plug, light connection
L-300-A	402 4039			Protection cap, ignition coil	L-332	402 0064	L-332	402 0064	Isolating washer
L-301	402 7016	P-301	402 4024	Lock washer	L-333	402 0015	L-333	402 0015	Lock washer
L-302	402 4046	P-302	402 4048	Bolt	L-334	402 4087	L-334	402 4087	Cable eye
L-302-A	402 4047	P-302	402 4048	Bolt	L-335	402 4088	P-335	402 4089	Stud
L-303	402 4049	L-303	402 4049	Pivot pin	L-337	402 0015	L-337	402 0015	Lock washer
L-304	402 4050	L-304	402 4050	Contact and breaker point set	L-338	402 2053	L-338	402 2053	Nut
L-306	402 7016	L-306	402 7016	Contact breaker shim .1 mm			P-369	402 4091	Spring washer
L-306-A	402 7016	L-306-A	402 7016	Contact breaker shim .05 mm			P-370	402 4092	Centrifugal weight
L-307	402 7016	L-307	402 7016	Spring clip			P-371	402 4094	Centrifugal weight bolt
L-308	402 7016	L-308	402 7016	Washer			P-372	402 4095	Centrifugal weight spring
L-309	402 7016	L-309	402 7016	Lock washer	L-373	402 4097	L-373	402 4097	Rubber grommet
L-310	402 7016	L-310	402 7016	Bolt	L-374	402 4099	L-374	402 4099	Silicone grommet
L-311	402 7016	L-311	402 7016	Bolt	L-375	402 4076	L-375	402 4076	Spark plug, protector complete
L-312	402 7016	L-312	402 7016	Washer	L-376	402 4100	L-376	402 4100	Shorting button protection cap
					L-383	402 0035			Sealing ring

REWIND STARTER



ITEM No.	PART No.	ITEM No.	PART No.	DESCRIPTION	ITEM No.	PART No.	ITEM No.	PART No.	DESCRIPTION
165 c.c.		250 c.c.			165 c.c.		250 c.c.		
L-336	402 5002	P-336	402 5003	Starting pulley	L-358	402 5030	L-358	402 5030	Pawl spring
L-337	402 0015	L-337	402 0015	Lock washer	L-359	402 5031	L-359	402 5031	Pawl spring stop
L-338	402 2053	L-338	402 2053	Nut	L-360	402 5032	L-360	402 5032	Friction spring
L-344-A	402 5011	L-344-A	402 5011	Bolt	L-361	402 5033	L-361	402 5033	Washer
L-345-A	402 5014	L-345-A	402 5014	Rope sheave complete	L-362	402 5034	L-362	402 5034	Circlip
L-346	402 5016	L-346	402 5016	Rope bolt	L-377	402 5005	L-377	402 5005	Rewind starter complete
L-347	402 5017	L-347	402 5017	Rope with grip	L-378	402 5035	L-378	402 5035	Starter housing complete
L-347-A	402 5018	L-347-A	402 5018	Rope	L-379	402 5036	L-379	402 5036	Starter stop complete
L-347-B	402 5019	L-347-B	402 5019	Starter grip	L-380	402 5037	L-380	402 5037	Starter stop screw
L-348	402 5022	L-348	402 5022	Rewind spring	L-381	402 5038	L-381	402 5038	Spring guide
L-354	402 5026	L-354	402 5026	"D" washer	L-382	402 5039	L-382	402 5039	Rubber buffer
L-355	402 5027	L-355	402 5027	Friction washer					
L-356	402 5028	L-356	402 5028	Pivot arm					
L-357	402 5029	L-357	402 5029	Pawl					

PARTS SECTION

B. S. L. 23 R.

Model 1965

PARTS SECTION

B. S. L. 23 R.

Model 1965

SPARE PARTS LIST

Follow the instructions given below for quick and accurate identification of parts.

- A — Establish if your SKI-DOO is model Chalet, Olympique or Alpine.
Model Chalet has a 165 c.c. engine with 5 $\frac{7}{8}$ " drive pulley.
Model Olympique has a 250 c.c. engine with 7 $\frac{1}{2}$ " drive pulley.
Model Alpine has 2 tracks and a 250 c.c. engine.

- B — Select the reference number on the parts illustration.

- C — Using the same basic number, locate, in the parts list below the illustration, the complete part number and part name.

- D — The columns headed Chalet, Olympique and Alpine indicate which parts apply to each model and the quantity required per unit.

- E — The Rotax engine is covered in this manual.

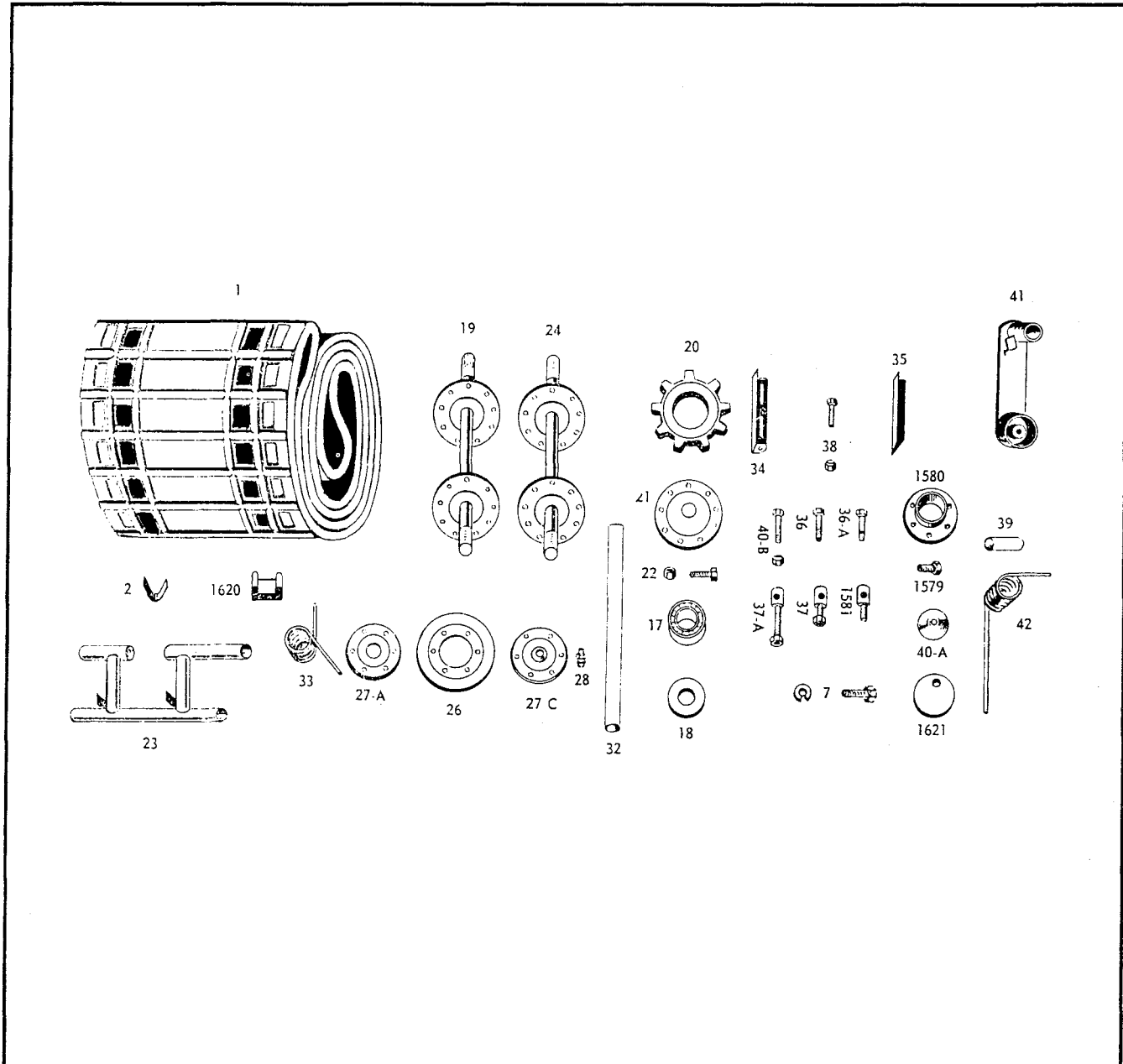
TRANSMISSION



ITEM No.	PART No.	DESCRIPTION	QUANT.			ITEM No.	PART No.	DESCRIPTION	QUANT.		
			C	O	A				C	O	A
		CHAIN CASE AND DRIVEN PULLEY				SK-1575	504 0016	Chain case "U-Clamp"	1	1	
							386 6019	Elastic nut	1	1	
SK-3-B	504 0003	Chain case	1	1		SK-1575-A	504 0017	Chain case support and foot rest LH	1	1	
SK-3-D	417 0001	Chain case								1	
SK-1565	570 0407	Chain case gasket				SK-1634	300 0000	Foot rest bolt	1	1	
SK-1564	386 6022	Chain case nut					386 6019	Stop nut	1	1	
SK-14	504 0007	Drive sprocket 9 teeth	1	1		SK-8	504 0005	Chain tensioner	1	1	
SK-16-A	504 0012	Driven sprocket 26 teeth	1	1		SK-11	405 0001	Chain tensioner bearing cone	2	2	
SK-15-B	412 1003	Driving chain	1	1		SK-12	405 0002	Chain tensioner bearing cup	2	2	
SK-1606	504 0020	Chain case shim	as required			SK-10	406 0001	Tensioner O ring	1	1	
SK-1643	504 0021	Chain tightener				SK-13	406 3001	Oil seal	1	1	
SK-1644	504 0022	Tightener sprocket				SK-9	300 4084	Tensioner bolt	1	1	
SK-1651	405 2001	Tightener sprocket bearing					380 9024	Nut	1	1	
SK-1645	504 0023	Tightener chain pin					391 0025	Washer	1	1	
SK-1646	101 8005	Tightener pin clip				SK-70	381 2028	Shaft nut	1	1	1
SK-1649	300 0004	Tightener adjuster bolt					371 0011	Cotter pin	1	1	1
	380 6019	Nut				SK-70-A	504 0015	Shaft washer	1	1	1
SK-1648	300 0005	Tightener bolt				SK-69	581 1009	Driven pulley ass'y	1	1	
	386 6019	Stop nut				SK-69-A	581 3004	Driven pulley ass'y			1
SK-1647	399 8003	Chain case fiber washer				SK-1582-A	504 1015	Outer bearing sleeve			1
SK-5-A	570 0403	Chain case inspection cover	1	1		SK-1583-A	504 1017	Inner bearing sleeve			1

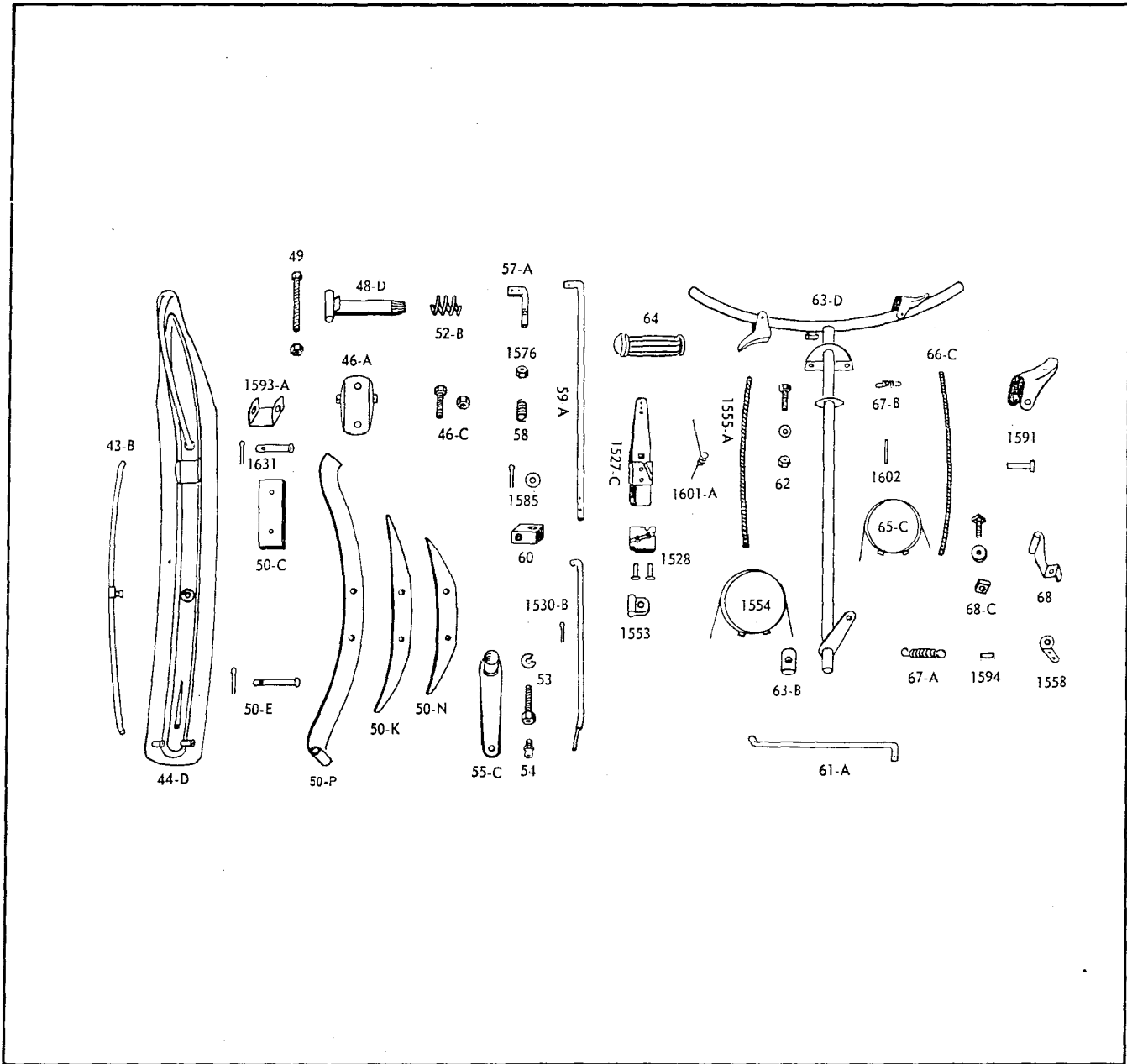
ITEM No.	PART No.	DESCRIPTION	QUANT.			ITEM No.	PART No.	DESCRIPTION	QUANT.		
			C	O	A				C	O	A
SK-71	581 1009	Driven pulley ass'y	1	1		SK-75-E	504 2005	Drive pulley inner half	1		
SK-71-A	581 3004	Driven pulley ass'y			1	SK-77-A	405 4004	Clutch bearing	1	1	1
SK-72-A	504 1003	Driven pulley pressure spring	1	1		SK-78-A	504 2012	Clutch spring seat	1	1	1
SK-73	504 1022	Spring seat	1	1		SK-79-C	414 0013	Clutch release spring		1	1
	372 1123	Cotter pin	1	1		SK-79-B	414 0012	Clutch release spring	1		
SK-72-C	504 1005	Driven pulley pressure spring			1	SK-80-D	504 2016	Drive pulley outer half		1	1
SK-1595-A	504 1020	Driven pulley shaft support plate			1	SK-80-C	504 2015	Drive pulley outer half	1		
SK-1653	507 0025	Shaft support plate rod			1	SK-81-C	504 2022	Centrifugal governor		1	1
	380 7022	Nut			2	SK-81-B	504 2021	Centrifugal governor	1		
	371 0011	Cotter pin			1	SK-82-A	300 0152	Centrifugal governor bolt	1	1	1
SK-17-A	405 4002	Shaft support plate bearing			1	SK-1616	504 2023	Pressure lever and rivets	2	4	4
SK-18-A	581 1017	Shaft support plate seal			1	SK-74-B	504 1009	Transmission aligning shim .024			as required
SK-1642	300 0001	Support plate bolt			2	SK-74-C	504 1010	Shim .048			as required
	386 6019	Nut			2			BELT AND GUARD			
SK-1623	529 0004	Adjuster bar	-	-	-	SK-85	570 0409	Drive belt		1	1
		DRIVE PULLEY AND GOVERNOR				SK-85-A	570 0410	Drive belt	1		
						SK-107-G	571 1719	Pulley guard	1	1	1
SK-75-G	504 2007	Drive pulley inner half	1	1		SK-1633	414 0154	Pulley guard spring	1	1	1

WHEELS AND SUSPENSION



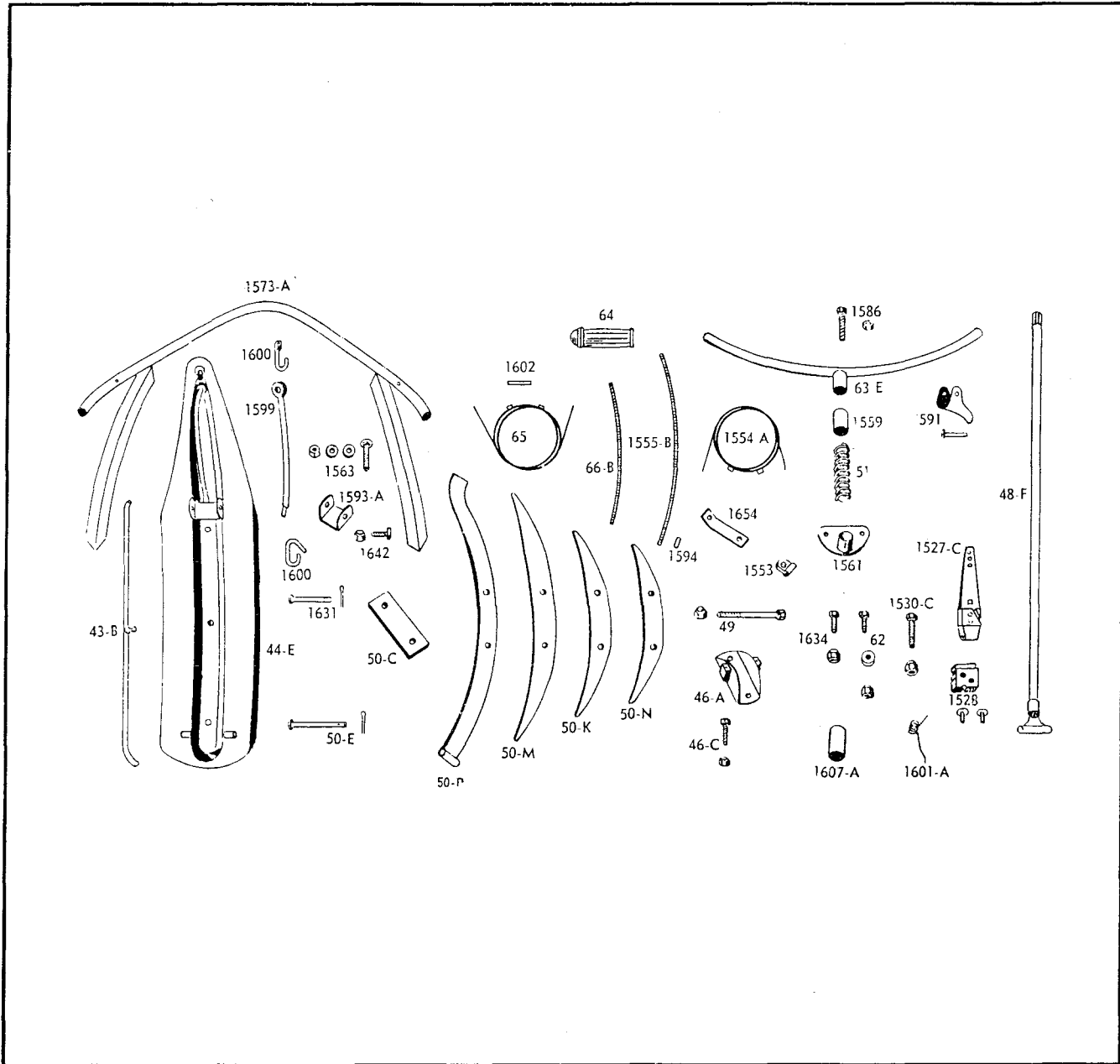
ITEM No.	PART No.	DESCRIPTION	QUANT.			ITEM No.	PART No.	DESCRIPTION	QUANT.		
			C	O	A				C	O	A
		TRACK						REAR HUB ASS'Y			
SK-1	570 0002	Track	1	1	2	SK-20	570 0101	Rubber sprocket	2	2	4
SK-2	570 0003	Track insert	116	116	232	SK-21	501 0005	Sprocket flange	2	2	4
SK-1620	529 0003	Insert block tool	—	—	—	SK-22-B	320 1062	Sprocket bolt	18	18	36
		DRIVE AXLE					386 6013	Nut	18	18	36
						SK-17-A	405 4002	Rear hub bearing	2	2	4
SK-19-A	501 0002	Drive axle	1	1		SK-18-B	570 0301	Bearing seal	2	2	4
SK-19-B	501 0006	Drive axle			2	SK-34-A	503 0006	Adjuster bracket RH	1	1	
SK-20	570 0101	Drive sprocket	2	2	4	SK-34-B	503 0007	Center adjuster bracket RH			1
SK-21	501 0005	Drive sprocket flange	2	2	4	SK-34-C	503 0008	Adjuster bracket RH			1
SK-22-B	320 1062	Drive sprocket bolt	18	18	36	SK-35-A	503 0010	Adjuster bracket LH	1	1	
	386 6013	Nut	18	18	36	SK-35-B	503 0011	Center adjuster bracket LH			1
SK-18-A	581 1017	Drive axle bearing seal	2	2	4	SK-35-C	503 0012	Adjuster bracket LH			1
SK-17-A	405 4002	Drive axle bearing	2	2	4	SK-36	309 8004	Adjusting screw	2	2	2
SK-1580	501 0007	End bearing housing			2	SK-36-A	309 8001	Center adjusting screw			2
SK-1579	300 0000	End bearing housing bolt			6	SK-37	503 0027	Adjusting eye bolt	2	2	2
	392 0019	Lockwasher			6		386 6022	Elastic nut	2	2	2
		WHEEL				SK-37-A	503 0028	Center adjusting bolt			2
SK-23-B	502 0002	Wheel support	6	6	12		386 6022	Elastic nut			2
SK-26-B	570 0203	Wheel tire	12	12	24	SK-1581	503 0026	Adjusting screw buffer			2
SK-27-A	502 0005	Wheel flange inner	12	12	24	SK-38	300 0041	Positioning bolt	2	2	4
SK-27-C	502 0006	Wheel flange outer	12	12	24		386 6022	Nut	2	2	4
SK-28	408 2001	Wheel flange grease fitting	12	12	24		391 0023	Lockwasher	2	2	4
SK-17-A	405 4002	Wheel bearing	12	12	24	SK-39-B	503 0015	Adjuster sleeve	2	2	4
SK-22-B	320 1062	Wheel bolt	72	72	144	SK-40-A	503 0016	Spring retaining washer	2	2	4
	386 6013	Nut	72	72	144	SK-40-B	300 0047	Adjuster bolt	2	2	4
SK-32-A	502 0008	Cross shaft	3	3	6		386 6022	Nut	2	2	4
SK-33-A	502 0010	Suspension spring	6	6	12	SK-41-AR	503 0021	Adjuster link plate RH	1	1	2
SK-7	300 8043	Cross shaft bolt	6	6	12	SK-41-AL	503 0019	Adjuster link plate LH	1	1	2
	392 0022	Lockwasher	6	6	12	SK-28	408 2001	Adjuster link plate grease fitting	2	2	4
SK-1621	518 0005	Cross shaft bracket	6	6	6	SK-42-AR	503 0025	Link plate spring RH	1	1	2
SK-24-A	503 0002	Rear hub	1	1	2	SK-42-AL	503 0023	Link plate spring LH	1	1	2

CONTROL PARTS - CHALET - OLYMPIQUE



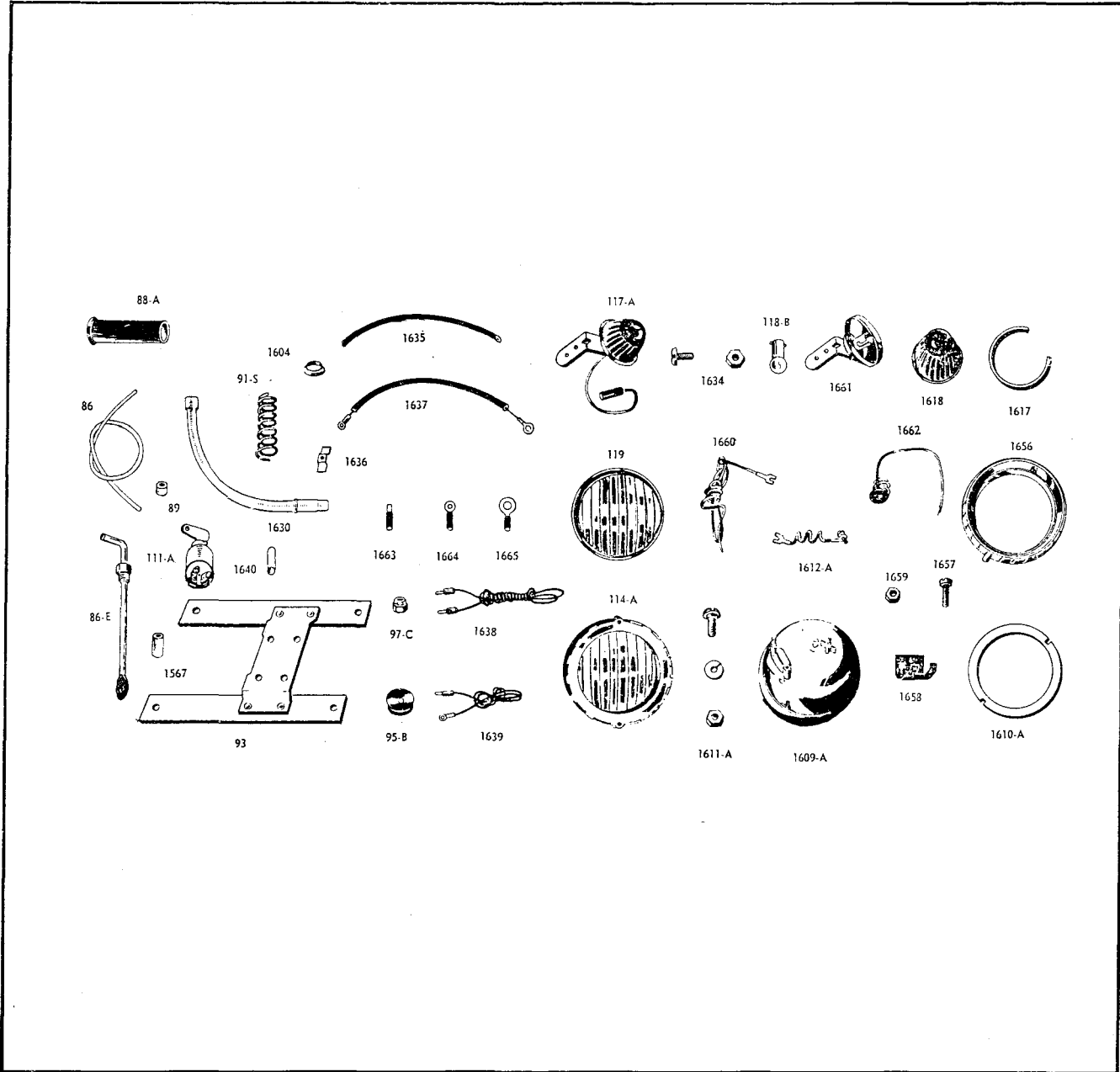
ITEM No.	PART No.	DESCRIPTION	QTY.		ITEM No.	PART No.	DESCRIPTION	QTY.	
			C	O				C	O
		SKI			SK-62-A	300 0003	Handle bar attaching bolt	2	2
SK-44-D	505 0040	Ski runner	2	2		386 6019	Nut	2	2
SK-43-B	505 0002	Runner shoe	2	2		391 0021	Washer	2	2
	380 6019	Nut	2	2	SK-63-D	506 0030	Handle bar	1	1
SK-1593-A	505 0033	Spring slider cushion	2	2	SK-63-B	506 0029	Steering shaft sleeve	1	1
SK-1631	505 0034	Slider pin	2	2	SK-64	414 0002	Handle bar grip	2	2
	371 0011	Cotter pin	2	2	SK-1591	506 0040	Hand throttle handle	2	2
SK-50-E	505 0017	Leaf spring pin	2	2		390 9001	Rivet	2	2
	371 0011	Cotter pin	2	2					
SK-50-P	505 0016	Main leaf spring	2	2			BRAKE		
SK-50-N	505 0015	Auxiliary leaf spring 13"	2	2	SK-1527-C	580 1021	Brake handle with lining	1	1
SK-50-K	505 0013	Auxiliary leaf spring 18"	2	2	SK-1528	507 0006	Brake lining	1	1
SK-50-C	570 0502	Rebound leaf spring	2	2	SK-1530-B	507 0010	Brake bracket hinge pin	1	1
SK-46-A	505 0011	Spring coupler	2	2		371 0035	Cotter pin	1	1
SK-46-C	300 8084	Spring coupler bolt	4	4	SK-1554	510 0004	Brake cable	1	1
	386 6024	Nut	4	4	SK-1555-A	507 0019	Brake cable housing	1	1
					SK-1601-A	507 0024	Brake return spring	1	1
		STEERING			SK-1553	507 0014	Cable housing clip	1	1
SK-48-D	506 0004	Ski leg	2	2	SK-1602	414 0082	Brake cable protector	1	1
SK-52-B	414 0127	Upper coil spring	2	2	SK-1594	409 0012	Brake cable clip	2	2
SK-49	309 8002	Ski leg attaching bolt	2	2			THROTTLE		
	386 6022	Nut	2	2					
SK-53	560 6001	Upper ski leg bolt	2	2	SK-65-C	510 0003	Throttle cable	1	1
	392 0026	Lockwasher	2	2	SK-1594	409 0012	Throttle cable clip	2	2
SK-54	408 2001	Ski leg grease fitting	2	2	SK-1602	414 0082	Throttle cable protector	1	1
SK-55-C	506 0014	Steering arm	2	2	SK-66-C	414 0063	Throttle cable housing		1
SK-58	414 0109	Tie rod end spring	3	3	SK-66-E	414 0083	Throttle cable housing	1	
SK-1585	391 0025	Tie rod spring washer	3	3	SK-67-A	414 0008	Throttle return spring		1
	371 0031	Cotter pin	3	3	SK-67-B	414 0009	Throttle return spring	1	
SK-59-A	506 0022	Lower tie rod	1	1	SK-68-B	510 0010	Throttle cable housing clip	1	
	506 0018	Tie rod end R.H.	1	1	SK-68-E	510 0011	Throttle cable housing clip		1
	506 0017	Tie rod end L.H.	2	2	SK-68-C	321 7061	Throttle housing clip bolt	1	1
	389 8016	Nut	2	2		385 1013	Nut	1	1
	380 6024	Nut	2	2		392 0014	Lockwasher	1	1
SK-60	506 0023	Tie rod swivel	1	1	SK-1558	510 0001	Throttle return spring bracket	1	
SK-61-A	506 0043	Steering rod	1	1					
	506 0044	Center tie rod	1	1					

CONTROL PARTS — ALPINE



ITEM No.	PART No.	DESCRIPTION	QTY.	ITEM No.	PART No.	DESCRIPTION	QTY.
		SKI		SK-1586	300 0046	Handle bar bolt	1
SK-44-E	505 0004	Ski runner	1		392 0022	Lockwasher	1
SK-43-B	505 0002	Runner shoe	1	SK-1650	506 0021	Handle bar spacer	1
	380 6019	Nut	1	SK-62-A	300 0003	Handle bar attaching bolt	2
SK-1600	505 0022	Union link	2		386 6019	Nut	2
SK-1599	570 0501	Ski front retainer cable	1		391 0021	Flat washer	2
SK-1573-A	517 0067	Ski holder	1	SK-64	414 0002	Handle bar grip	2
SK-1563	300 0006	Ski holder bolt	4	SK-1591	506 0040	Hand throttle handle	2
	380 6019	Nut	4		390 9001	Rivet	2
	392 0019	Lockwasher	4			BRAKE	
SK-1642	300 0001	Ski holder brace bolt	2				
	386 6019	Nut	2	SK-1527-C	580 1021	Brake handle with lining	1
SK-1593-A	505 0033	Spring slider cushion	1	SK-1528	507 0006	Brake lining	1
SK-1631	505 0034	Slider pin	1	SK-1530-C	300 0005	Brake handle bolt	1
	371 0011	Cotter pin	1		386 6019	Nut	1
SK-50-E	505 0017	Leaf spring pin	1	SK-1554-A	507 0016	Brake cable	1
	371 0011	Cotter pin	1	SK-1555-B	507 0020	Brake cable housing	1
SK-50-P	505 0016	Main leaf spring	1	SK-1601-A	507 0024	Brake return spring	1
SK-50-M	505 0014	Auxiliary leaf spring 23"	1	SK-1602	414 0082	Brake cable protector	1
SK-50-N	505 0015	Auxiliary leaf spring 13"	1	SK-1594	409 0012	Brake cable clip	2
SK-50-K	505 0013	Auxiliary leaf spring 18"	1	SK-1654	507 0026	Brake cable housing bracket	1
SK-50-C	570 0502	Rebound leaf spring	1	SK-1634	300 0000	Bracket bolt	1
SK-46-A	505 0011	Spring coupler	1		386 6019	Nut	1
SK-46-C	300 8084	Spring coupler bolt	2	SK-1553	507 0014	Brake cable housing clip	1
	386 6024	Nut	2			THROTTLE	
		STEERING		SK-65-D	510 0004	Throttle cable	1
SK-48-F	506 0007	Ski leg	1	SK-1594	409 0012	Throttle cable clip	2
SK-49	309 8002	Ski leg attaching bolt	1	SK-1602	414 0082	Throttle cable protector	1
	386 6022	Nut	1	SK-66-F	510 0008	Throttle cable housing	1
SK-1561	506 0039	Steering shaft bracket	1	SK-67-A	414 0008	Throttle return spring	1
SK-51	414 0172	Steering shaft upper spring	1	SK-68-E	510 0011	Throttle cable housing clip	1
SK-1559	506 0038	Steering shaft upper bushing	1	SK-68-C	321 7061	Throttle housing clip bolt	1
SK-1607-A	506 0042	Steering shaft sleeve (lower)	1		385 1013	Nut	1
SK-63-E	506 0031	Handle bar	1		392 0014	Lockwasher	1

FUEL, EXHAUST AND ELECTRICAL SYSTEMS

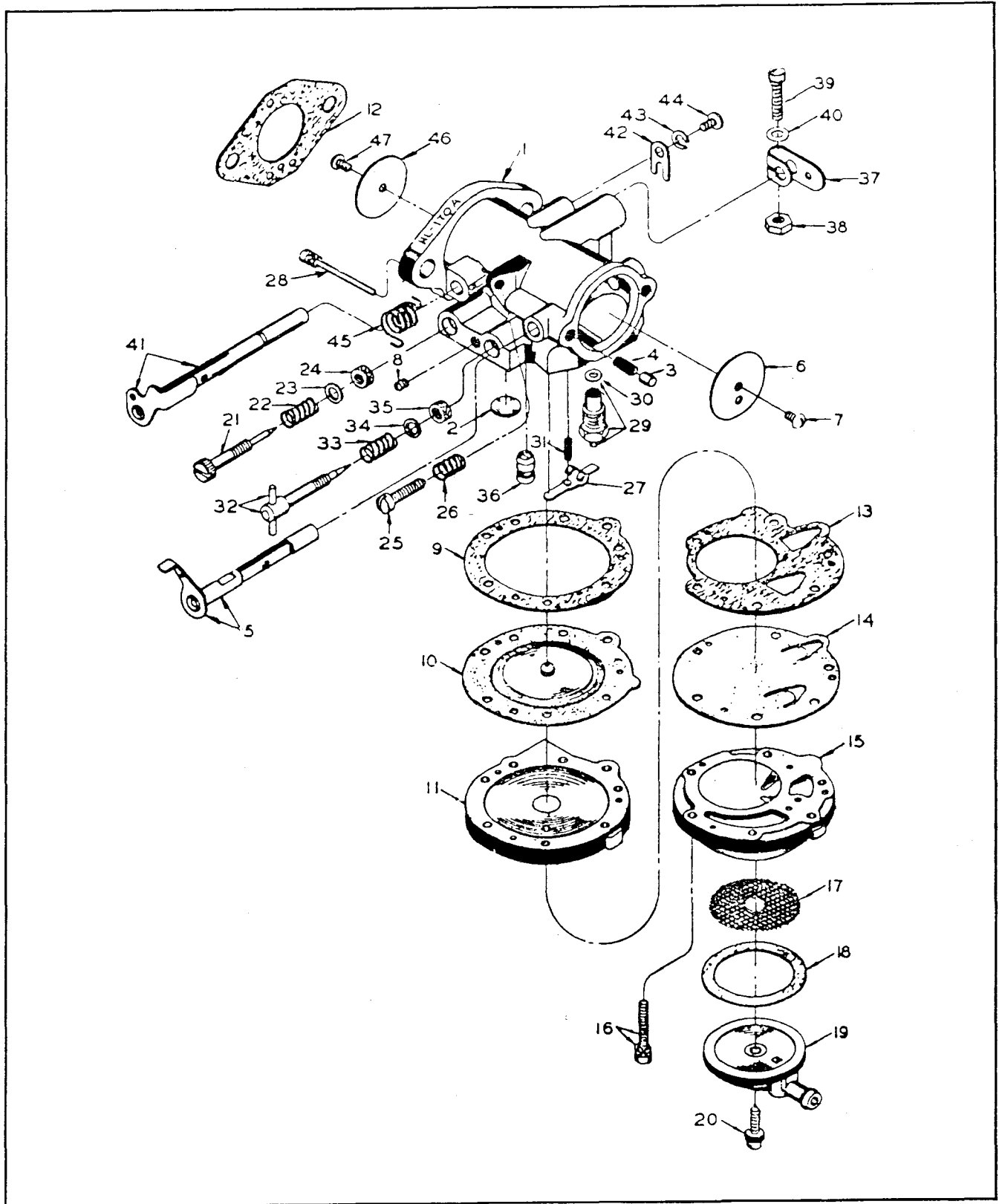


ITEM No.	PART No.	DESCRIPTION	QUANT.			ITEM No.	PART No.	DESCRIPTION	QUANT.		
			C	O	A				C	O	A
		ELECTRICAL				SK-1665	409 0009	Insulator terminal	1	1	1
SK-114-A	410 6002	Headlamp ass'y	1	1	1	SK-1634	300 0000	Tail lamp bolt	1	1	1
SK-1609-A	410 9007	Head lamp housing	1	1	1		386 6019	Stop nut	1	1	1
SK-1610-A	410 9009	Headlamp ring gasket	1	1	1			ENGINE			
SK-1612-A	409 6013	Headlamp ground wire	1	1	1	SK-93-G	512 0012	Engine support		2	2
SK-1656	410 9013	Headlamp outside ring	1	1	1		512 0017	Engine bracket		1	1
SK-1657	337 7023	Headlamp ring screw	2	2	2		309 8012	Cap screw		4	4
SK-1658	410 9015	Sealed beam support	1	1	1		386 6022	Stop nut		4	4
SK-1659	410 9016	Headlamp grommet	1	1	1	SK-93-F	512 0018	Engine bracket	1		
SK-119	410 6006	Sealed beam	1	1	1		512 0010	Engine support	2		
SK-1660	409 6014	Sealed beam to switch wire		1	1		309 8012	Cap screw	4		
SK-117-A	410 6005	Tail lamp	1	1	1		386 6022	Stop nut	4		
SK-1618	410 9011	Tail lamp lens	1	1	1	SK-95-B	570 1201	Engine support insulator kit	1	1	1
SK-118-B	410 5005	Tail lamp bulb	1	1	1	SK-1567	512 0026	Engine bracket bushing	4	4	4
SK-1617	410 9010	Tail lamp retainer ring	1	1	1	SK-97-C	386 6024	Engine support elastic stop nut	4	4	4
SK-1661	410 9017	Tail lamp housing and bracket	1	1	1		399 9006	Flat washer	4	4	4
SK-1662	410 9018	Tail lamp pig tail and spring	1	1	1			FUEL			
SK-111-A	410 1002	Lighting and ignition switch		1	1	SK-86-G	414 0130	Fuel line	1	1	1
SK-1635-A	515 0084	Wire housing	1	1	1	SK-86-E	513 0035	Fuel line adapter at tank	1	1	1
SK-1635-B	409 9001	Housing 3/16"	1	1	1	SK-89	408 0002	Fuel tank drain plug	1	1	1
	409 9002	Housing 5/16"	1	1	1	SK-88-A	414 0014	Fuel tank cap	1	1	1
SK-1635-C	515 0129	Housing wire ass'y	1	1	1			EXHAUST			
SK-1636	515 0035	Wire housing clip		1	1						
SK-1637	409 6013	Headlamp ground wire	1	1	1	SK-1630	514 0023	Muffler pipe		1	
SK-1638	409 6014	Wire (tail lamp to connector)	1	1	1	SK-1630-A	514 0024	Muffler pipe	1		
SK-1640	409 0001	Connector housing	1	2	2	SK-1630-B	514 0025	Muffler pipe			1
SK-1663	409 0002	Snap connector	2	4	4	SK-91-S	514 0017	Muffler pipe spring	1	1	1
SK-1664	409 0006	Insulator terminal		4	4	SK-1604	514 0021	Muffler pipe spring seat			2

B O D Y

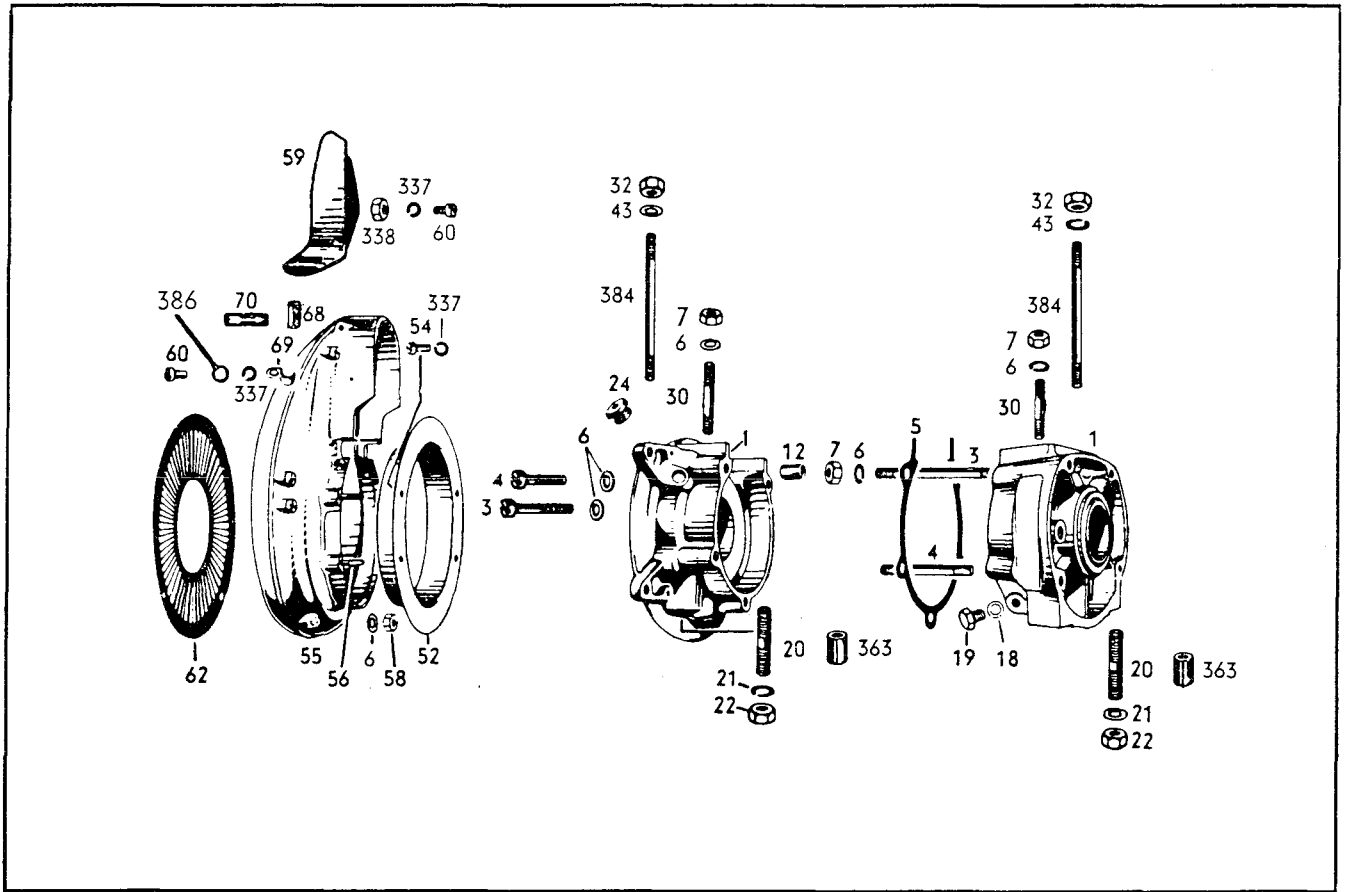
ITEM No.	PART No.	DESCRIPTION	QUANT.			ITEM No.	PART No.	DESCRIPTION	QUANT.		
			C	O	A				C	O	A
		BODY				SK-105-A	517 0014	Seat cushion			1
SK-1570	571 1710	Hood	1	1		SK-105-C	517 0016	Seat cushion leatherette	1	1	
SK-1570-A	571 1711	Hood			1	SK-105-B	517 0015	Seat cushion leatherette			1
SK-1590	571 1705	Compartment door	1	1	1	SK-1589	324 8061	Seat hinge bolt			6
SK-1632	517 0042	Compartment door lock spring	1	1	1		385 1013	Nut			6
SK-102	321 7001	Lock spring bolt	2	2	2	SK-1589-A	321 6061	Seat hinge bolt			4
	385 8007	Nut	2	2	2		385 1013	Nut			4
SK-1572	517 0065	Compartment door hinge rod	1	1	1	SK-106-G	517 0027	Back rest cushion	1	1	
SK-101-E	517 0002	Windshield	1	1		SK-106-B	517 0022	Back rest cushion			1
SK-101-D	517 0001	Windshield			1	SK-106-E	517 0025	Back rest cushion leatherette	1	1	
SK-103-B	517 0008	Windshield moulding	1	1		SK-106-C	517 0023	Back rest cushion leatherette			1
SK-103-C	517 0009	Windshield moulding			1	SK-1627-A	517 0073	Back rest plate bolt eyelet	2	2	
SK-102-A	363 0034	Windshield screw	7	7	5		386 6019	Nut	2	2	
SK-102-B	321 7003	Windshield bolt			4	SK-1588	414 0079	Seat cushion hinge			2
	385 8007	Nut			4	SK-1587	300 0004	Back rest bolt			2
SK-102-C	321 7041	Hood screw	17	17	21		386 6019	Nut			2
	385 7011	Nut	17	17	21	SK-1652	571 1709	Fuel tank protector			1
SK-1571-A	389 8010	Hood speed nut	17	17	21	SK-1625-A	414 0093	"On" and "Off" Decal Switch		1	1
SK-102-A	363 0034	Hood metal screw	2	2							
SK-105	517 0013	Seat cushion	1	1							

CARBURETOR CHALET, OLYMPIQUE AND ALPINE



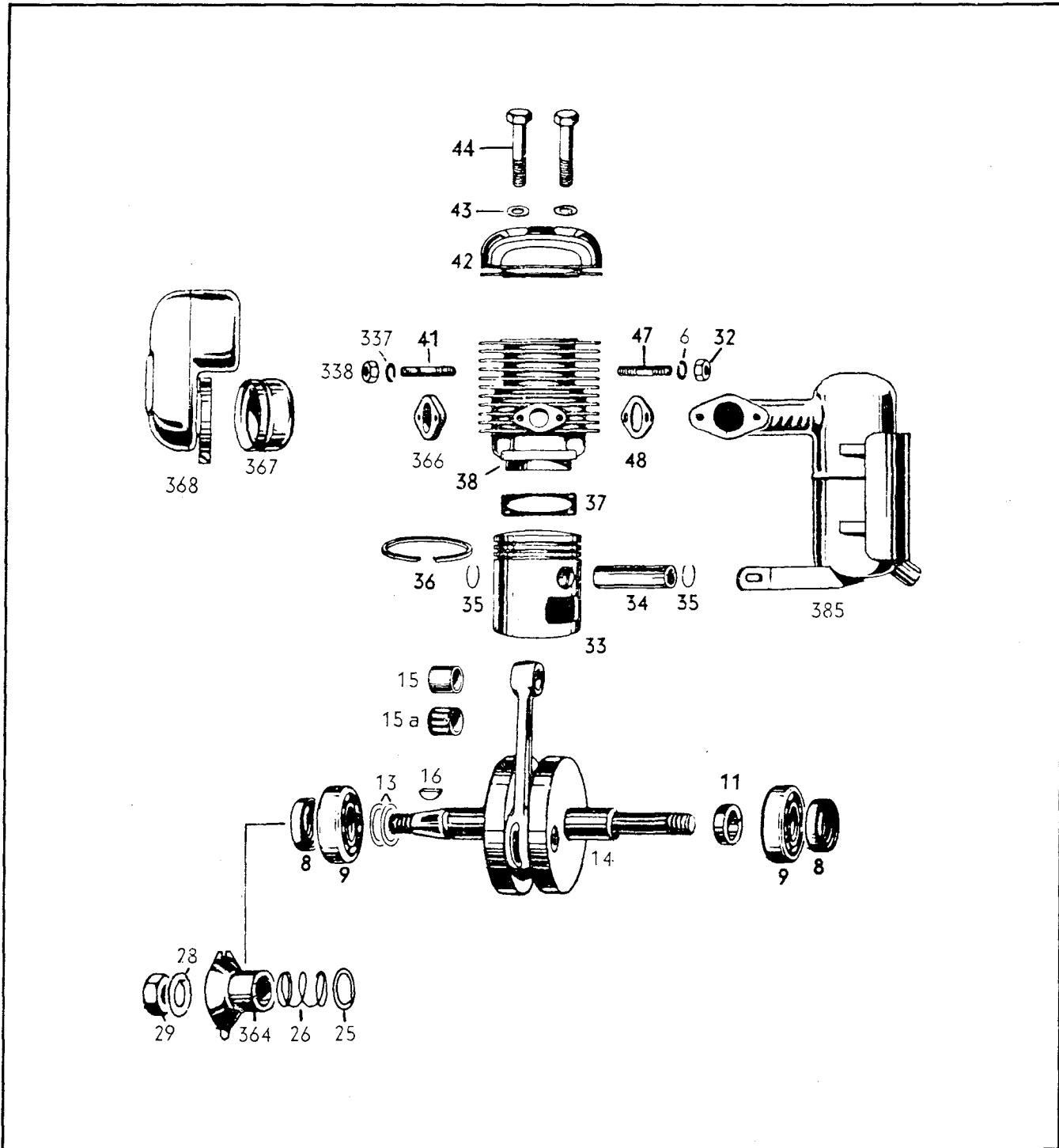
ITEM No.	PART No.	ITEM No.	PART No.	DESCRIPTION	ITEM No.	PART No.	ITEM No.	PART No.	DESCRIPTION
CHALET		OLYMPIQUE AND ALPINE			CHALET		OLYMPIQUE AND ALPINE		
SK-1532	403 0005	SK-1532-A	403 0005	Carburetor ass'y	T-27	404 0069	T-27	404 0069	Inlet control lever
T-1	404 0001	T-1-A	404 0002	Body	T-28	404 0071			Inlet control lever pinion screw
T-2	404 0010	T-2	404 0010	Body channel welch plug			T-28-A	404 0072	Inlet control lever fulcrum pin
T-3	404 0012			Choke friction pin			T-28-B	404 0073	Inlet control lever fulcrum pin ret. screw
T-4	404 0014	T-3-A	404 0013	Choke friction ball					
T-5-A	404 0016	T-4	404 0014	Choke friction spring	T-29	404 0074	T-29-A	404 0075	Inlet needle, seat and gasket
T-6-A	404 0023	T-5-B	404 0017	Choke shaft and lever	T-30	404 0078	T-30-A	404 0079	Inlet seat gasket
T-7-A	404 0027	T-6-B	404 0024	Choke shutter	T-31	404 0081	T-31	404 0081	Inlet tension spring
T-8	404 0029	T-7-A	404 0027	Choke shutter screw and 1/w	T-32-A	404 0084	T-32-A	404 0084	Main adj. screw
T-9	404 0030			Diaphragm chamber drain screw	T-33	404 0056	T-33	404 0056	Main adj. screw spring
T-10	404 0032	T-9	404 0030	Diaphragm gasket	T-34	404 0057	T-34	404 0057	Main adj. screw washer
T-11	404 0034	T-10	404 0032	Diaphragm	T-35	404 0059	T-35	404 0059	Main adj. screw packing
T-12	404 0038	T-11-A	404 0035	Diaphragm cover	T-36-A	404 0086	T-36-A	404 0086	Nozzle check valve
T-13-A	404 0041			Flange gasket	T-37	404 0090	T-37	404 0090	Throttle lever ass'y
T-14	404 0042	T-13-A	404 0041	Fuel pump gasket	T-38	404 0091	T-38	404 0091	Throttle lever ret. screw and lockwasher
T-15	404 0045	T-14-A	404 0042	Fuel pump diaphragm	T-39	404 0092	T-39	404 0092	Throttle lever ret. washer
T-16	404 0047	T-15-A	404 0046	Fuel pump body	T-40	404 0093	T-40	404 0093	Throttle lever ret. nut
T-17	404 0049	T-16	404 0047	Fuel pump body screw and 1/w	T-41-A	404 0095	T-41-B	404 0096	Throttle shaft and lever
T-18	404 0050	T-17	404 0049	Fuel strainer screen	T-42	404 0102	T-42	404 0102	Throttle shaft clip
T-19	404 0051	T-18	404 0050	Fuel strainer cover gasket	T-43	404 0105	T-43	404 0105	Throttle shaft clip 1/w
T-20	404 0052	T-19	404 0051	Fuel strainer cover	T-44	404 0106	T-44	404 0106	Throttle shaft clip ret. screw
T-21	404 0053	T-20	404 0052	Fuel strainer cover ret. screw	T-45	404 0107	T-45-A	404 0108	Throttle return spring
T-22	404 0056	T-21	404 0053	Idle adj. screw	T-46-A	404 0113	T-46-B	404 0114	Throttle shutter
T-23	404 0057	T-22	404 0056	Idle adj. screw spring	T-47	404 0028	T-47	404 0028	Throttle shutter screw
T-24	404 0059	T-23	404 0057	Idle adj. screw washer	T-48-A	404 0118	T-48-B	404 0119	Gasket and packing set
T-25	404 0064	T-24	404 0059	Idle adj. screw packing	T-49-A	404 0124	T-49-B	404 0125	Repair parts kit
T-26	404 0067	T-25	404 0064	Idle speed regulating screw					
		T-26	404 0067	Idle speed regulating screw spring					

CRANKCASE



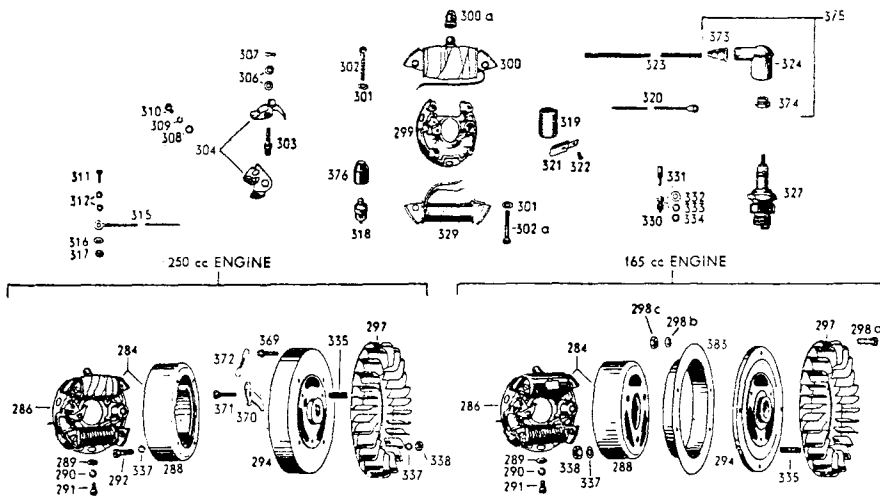
ITEM No.	PART No.	ITEM No.	PART No.	DESCRIPTION	ITEM No.	PART No.	ITEM No.	PART No.	DESCRIPTION
	165 c.c.		250 c.c.			165 cc		250 cc	
L-1-A	402 0002	P-1-A	402 0005	Crankcase complete			P-52	402 0037	Sealing ring
L-3	402 0006	P-3	402 0007	Crankcase bolt	L-55	402 0042	P-54	402 0040	Screw
L-44-A	402 0033	P-4	402 0009	Crankcase bolt			P-55	402 0044	Fan cowl complete
L-5-A	402 0012	P-5	402 0014	Crankcase gasket	L-56	402 2036	P-56	402 0030	Fan cowl stud
L-6	402 0015	P-6	402 0016	Lock washer	L-58	402 2053	P-58	402 0018	Fan cowl nut
		P-7	402 0018	Hex. nut	L-59	402 0048			Fan cowl baffle
L-12	402 1014	P-12	402 1015	Crankcase dowel tube	L-60-A	402 0040	L-60-A	402 0040	Bolt
					L-62	402 0058	L-62	402 0058	Fan cowl shield
L-18	402 0019	L-18	402 0019	Oil drain sealing washer	L-68	402 0059			Rubber sleeve
					L-69	402 0060	L-69	402 0060	Ignition cable clamp
L-19	402 0020	L-19	402 0020	Oil drain screw					
L-20-A	402 0022	P-20	402 0023	Engine base stud	L-337	402 0015	L-337	402 0015	Lock washer
L-21	402 0025	L-21	402 0025	Lock washer	L-338	402 2053			Nut
L-22	402 0026	L-22	402 0026	Nut	L-363	402 0073			Distance sleeve, engine base
L-24	402 0027	P-24	402 0028	Ignition cable grommet	L-384	402 0074			Stud holding cylinder
		P-30	402 0030	Cylinder stud Nut			P-386	402 0078	Mass cable, yellow
L-32-A	402 0018								
L-43	402 0031			Cylinder head washer					

CRANKSHAFT AND PISTON



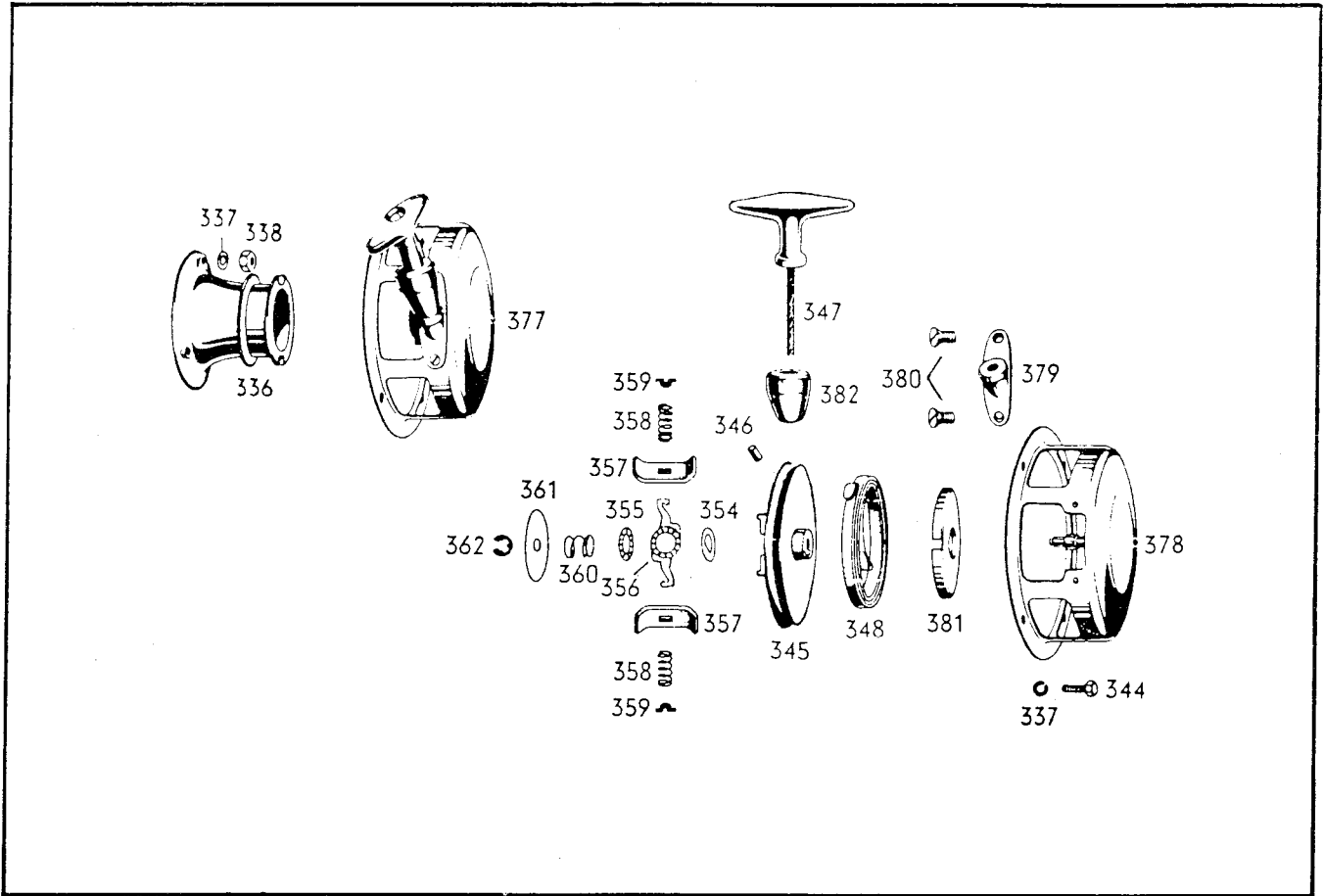
ITEM No.	PART No.	ITEM No.	PART No.	DESCRIPTION	ITEM No.	PART No.	ITEM No.	PART No.	DESCRIPTION
165 c.c.		250 c.c.			165 c.c.		250 c.c.		
P-6	402 0016	P-6	402 0016	Lock washer			P-26	402 1036	Breaker cam spring
L-8	402 1001	P-8	402 1002	Crankshaft oil seal	L-28	402 1038	P-28	402 1040	Crankshaft lock washer
L-9	402 1004	P-9	402 1005	Crankshaft bearing	L-29	402 1042	P-29	402 1043	Crankshaft nut
L-11-A	402 1011	P-11	402 1012	Crankshaft sleeve	L-32-A	402 0018	L-32-A	402 0018	Exhaust flange nut
L-13-A	402 1016			Crankshaft shim .3 mm	L-33-A	402 1044	P-33	402 1054	Piston complete with rings
L-13-B	402 1017			Crankshaft shim .5 mm	L-34-A	402 1060	P-34-A	402 1062	Piston pin
L-13-C	402 1018			Crankshaft shim 1.0 mm	P-35	402 1066	P-35-A	402 1067	Circlip
L-13-D	402 1019			Crankshaft shim .2 mm	L-36-A	402 1081	P-36	402 1074	Piston ring
L-13-E	402 1020			Crankshaft shim .4 mm	L-37-A	402 2005	P-37	402 2006	Cylinder flange gasket
L-13-F	402 1021			Crankshaft shim .8 mm	L-38-A	402 2010	P-38	402 2011	Cylinder
L-13-G	402 1022			Crankshaft shim .15 mm	P-41-A	402 2021	P-41-A	402 2021	Intake flange stud
		P-13	402 1023	Crankshaft shim .2 mm	L-42-B	402 2026	P-42-A	402 2028	Cylinder head
		P-13-A	402 1024	Crankshaft shim .3 mm			P-43	402 2034	Cylinder head washer
		P-13-B	402 1025	Crankshaft shim .5 mm			P-44	402 2035	Cylinder head bolt
		P-13-C	402 1026	Crankshaft shim 1.0 mm	P-47	402 2037	P-47	402 2037	Exhaust flange stud
L-14-A	402 1028	P-14-A	402 1030	Crankshaft complete	P-48	402 2043	P-48	402 2043	Exhaust flange gasket
P-15	402 1032			Connecting rod bushing	L-337	402 0015	L-337	402 0015	Lock washer
		P-15-A	402 1033	Needle cage, piston pin	L-338-A	402 2053	L-338-A	402 2053	Nut
L-16	402 1009	P-16	402 1010	Crankshaft key			P-364	402 1087	Breaker cam complete
		P-25	402 1035	Cam spring washer	L-366	402 2054	L-366	402 2054	Isolating flange
					L-367	402 3005	P-367	402 3005	Silencer socket
					L-368	402 3010	P-368	402 3010	Air intake silencer complete
					L-385	402 2060	P-385	402 2061	Muffler complete

IGNITION



ITEM No.	PART No.	ITEM No.	PART No.	DESCRIPTION	ITEM No.	PART No.	ITEM No.	PART No.	DESCRIPTION
165 c.c.		250 c.c.			165 cc		250 cc		
L-284	402 4006	P-284	402 4009	Flywheel dynamo magneto unit complete	L-315	402 4059	P-315-A	402 4062	Shorting button cable
L-286	402 4013	P-286	402 4016	Armature plate complete	L-316	402 7016	L-316	402 7016	Lock washer
L-288	402 4017	P-288	402 4018	Magneto ring	L-317	402 7016	L-317	402 7016	Nut
L-289	402 7016	P-289	402 4022	Armature plate washer	L-318	402 4066			Shorting button
L-290	402 7016	P-290	402 4024	Armature plate lock washer	L-319	402 4067	P-319	402 4068	Condenser without cable
L-291	402 4025	P-291	402 5001	Armature plate bolt	L-320	402 4069	P-320	402 4070	Condenser cable
		P-292	402 4027	Flywheel bolt	L-321	402 4071	L-321	402 4071	Lubricating wick
L-294	402 4029	P-294-A	402 4105	Magneto housing	L-322	402 4072	L-322	402 4072	Pivot, lubricating wick
L-297	402 4033	P-297	402 4034	Fan	L-323	402 4073	P-323	402 4074	Ignition cable
L-298-A	402 0038			Fan bolt	L-324	402 4076	P-324	402 4076	Spark plug protector
L-298-B	402 4024			Lock washer	L-327	402 4077	L-327	402 4077	Spark plug
L-298-C	402 4002			Nut	L-329	402 4083	P-329	402 4084	Lighting coil
L-299	402 4036	P-299	402 4037	Armature plate only	L-330	402 4085			Light plug female
L-300	402 4038	P-300	402 4040	Ignition coil	L-331	402 4086			Banana plug, light connection
L-300-A	402 4039			Protection cap, ignition	L-332	402 0064			Isolating washer
L-301	402 7016	P-301	402 4024	Lock washer	L-333	402 0015			Lock washer
L-302	402 4046	P-302	402 4048	Bolt	L-334	402 4087			Cable eye
L-302-A	402 4047	P-302	402 4048	Bolt	L-335	402 4088	P-335	402 4089	Stud
L-303	402 4049	L-303	402 4049	Pivot pin	L-337	402 0015	L-337	402 0015	Lock washer
L-304	402 4050	L-304	402 4050	Contact and breaker point set	L-338	402 2053	L-338	402 2053	Nut
L-306	402 7016	L-306	402 7016	Contact breaker shim .1 mm			P-369	402 4091	Spring screw
L-306-A	402 7016	L-306-A	402 7016	Contact breaker shim .05 mm			P-370	402 4092	Centrifugal weight
L-307	402 7016	L-307	402 7016	Spring clip			P-371	402 4094	Centrifugal weight bolt
L-308	402 7016	L-308	402 7016	Washer			P-372	402 4095	Centrifugal weight spring
L-309	402 7016	L-309	402 7016	Lock washer	L-373	402 4097	L-373	402 4097	Rubber grommet
L-310	402 7016	L-310	402 7016	Bolt	L-374	402 4099	L-374	402 4099	Silicone grommet
L-311	402 7016	L-311	402 7016	Bolt	L-375	402 4076	P-375	402 4076	Spark plug, protector complete
L-312	402 7016	L-312	402 7016	Washer	L-376	402 4100			Shorting button protecting cap
					L-383	402 0035			Sealing ring

REWIND STARTER



ITEM No.	PART No.	ITEM No.	PART No.	DESCRIPTION	ITEM No.	PART No.	ITEM No.	PART No.	DESCRIPTION
165 c.c.		250 c.c.			165 c.c.		250 c.c.		
L-336	402 5002	P-336	402 5003	Starting pulley	L-358	402 5030	L-358	402 5030	Pawl spring
L-337	402 0015	L-337	402 0015	Lock washer	L-359	402 5031	L-359	402 5031	Pawl spring stop
L-338	402 2053	L-338	402 2053	Nut	L-360	402 5032	L-360	402 5032	Friction spring
L-344-A	402 5011	L-344-A	402 5011	Bolt	L-361	402 5033	L-361	402 5033	Washer
L-345-A	402 5014	L-345-A	402 5014	Rope sheave complete	L-362	402 5034	L-362	402 5034	Circlip
L-346	402 5016	L-346	402 5016	Rope bolt	L-377	402 5005	L-377	402 5005	Re-wind starter complete
L-347	402 5017	L-347	402 5017	Rope with grip	L-378	402 5035	L-378	402 5035	Starter housing complete
L-347-A	402 5018	L-347-A	402 5018	Rope	L-379	402 5036	L-379	402 5036	Starter stop complete
L-347-B	402 5019	L-347-B	402 5019	Starter grip	L-380	402 5037	L-380	402 5037	Starter stop screw
L-348	402 5022	L-348	402 5022	Re-wind spring	L-381	402 5038	L-381	402 5038	Spring guide
L-354	402 5026	L-354	402 5026	"D" washer	L-382	402 5039	L-382	402 5039	Rubber buffer
L-355	402 5027	L-355	402 5027	Friction washer					
L-356	402 5028	L-356	402 5028	Pivot arm					
L-357	402 5029	L-357	402 5029	Pawl					

