

1x



1x

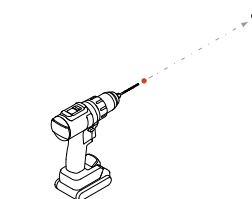


For installation, use expansion plug suitable for wall construction.

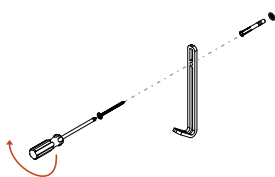
Not recommended for plaster walls.

Max. load 5kg

1.



2.



3.



2x



Before sticking the hook:

- choose a place on the wall where you want to place it
- clean the wall with an alcohol-soaked cloth (make sure you remove all greases and impurities)
- wait until the surface dries completely

Malmo hook sticking:

1. Remove the protective paper from the tape on one side and, without touching the adhesive surface and glue the tape on the back of the hook (avoid creating air bubbles by pressing the tape well against the hook).

2. Remove the protective paper from the other side of the tape.

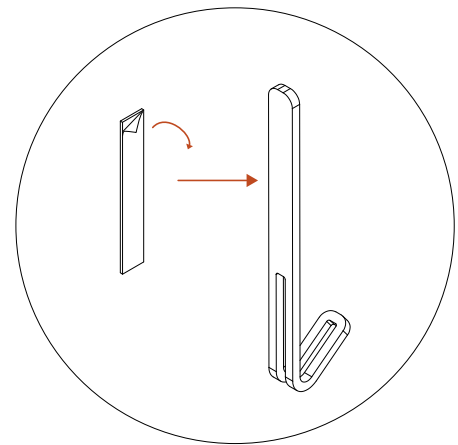
3. Glue the hook to the previously cleaned surface by pressing the hook firmly against the wall so that the glue takes on well.

4. Wait 24 to 48 hours for the tape to acquire its adhesive properties.

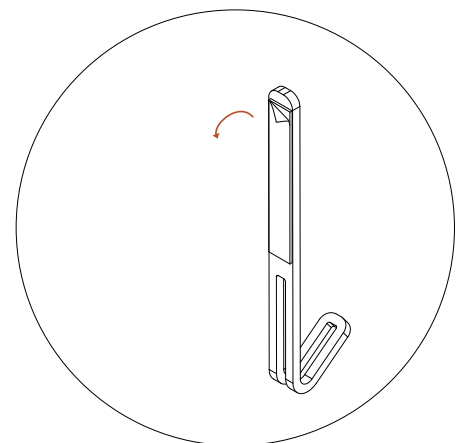
Avoid contact of the adhesive tape with water

Max. load 1 kg

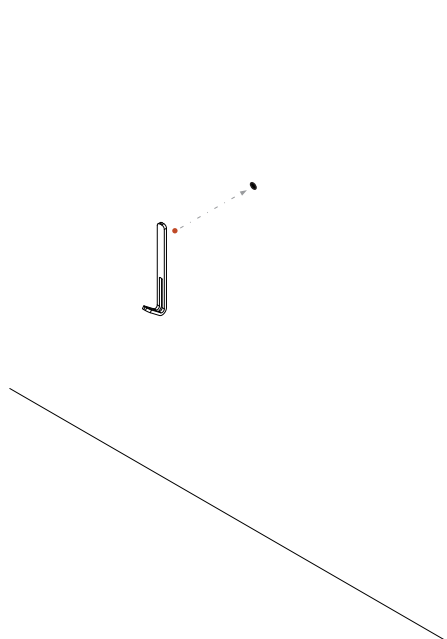
1.



2.



3.



4.

