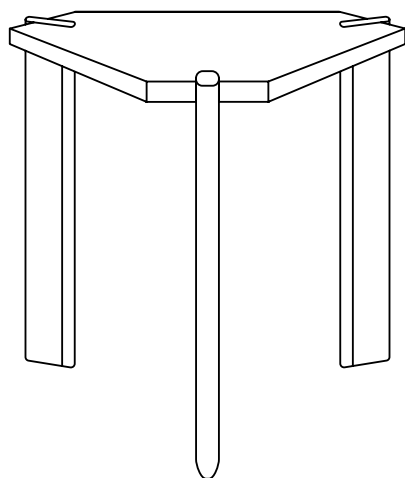


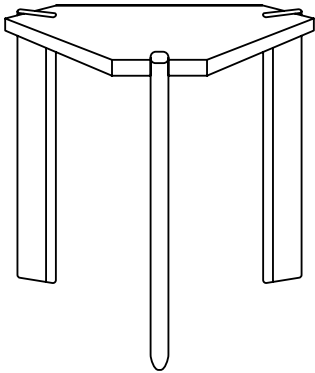
# RACHEL DONATH



YUUKI SIDE TABLE

# YUUKI SIDE TABLE

Thank you for purchasing the Rachel Donath Yuuki Side Table. This guide outlines the items you'll find in your delivery. It's essential to inspect the hardware and each component of the product carefully as you unbox and get ready for assembly. To prevent any damage, make sure to place the items on a carpeted or padded surface while unpacking.



## HARDWARE

9 x M8x20mm Hex bolts

9 x 20x10mm Washers

## TOOLS REQUIRED

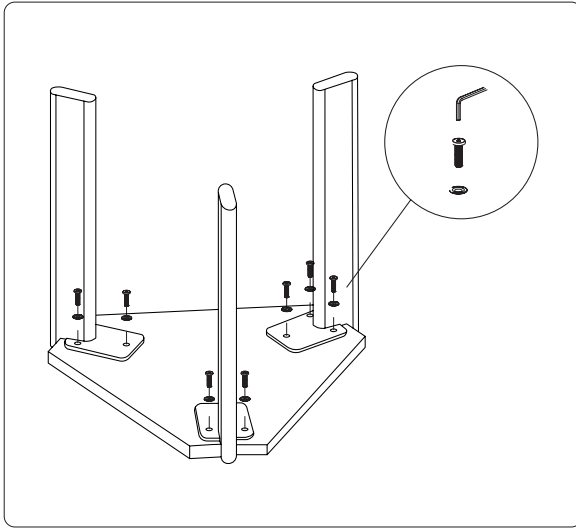
1 x Allen Key (supplied)

## PEOPLE REQUIRED FOR ASSEMBLY

2 People

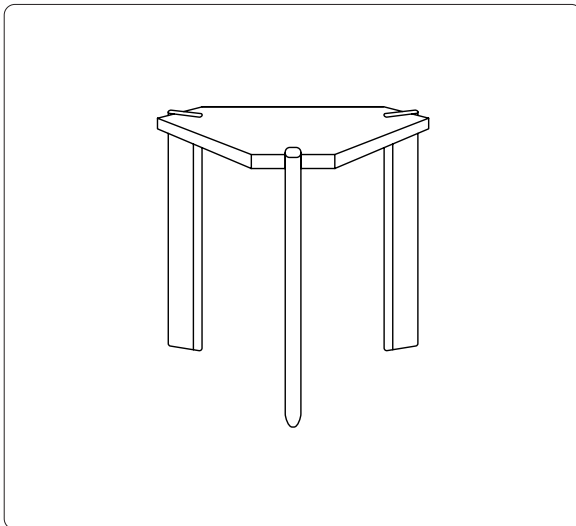
## ESTIMATED TIME OF ASSEMBLY

30 Minutes



**STEP 1:**

Open box carefully, ensuring the blade of the knife does not come into contact with the product. Remove packaging and place the table top face down onto a soft surface, we recommend a clean towel or carpet. Align each leg to each corner position and fasten to the table using the Hex bolts and washers. Tighten by hand and allen key only, do not use power tools.



**STEP 2:**

Position in your room, and don't forget to recycle the packaging where possible

## CARE INSTRUCTIONS

Taking a little extra care can significantly extend the lifespan of your furniture. The information below serves as a general guideline, and is to be used for optimal durability of your Rachel Donath furniture.

1. Placement Considerations: Be mindful of where you position your furniture. Extreme conditions, such as prolonged exposure to harsh sunlight, can alter the finish's colour.

2. Metal Care: Although resistant to rust, powdercoated metals will oxidize if the coating is chipped, scratched or exposed to harsh chemicals and UV rays over time. Do not use harsh solvent-based, abrasive or stainless steel cleaners. These will accelerate staining, fading and ultimate failure of the powdercoated finish. We recommend using a mild soap product.

By following these instructions, you can ensure the longevity and beauty of your Rachel Donath furniture.

## CUSTOMER SERVICE

For Australian customer service contact :  
[info@racheldonath.com](mailto:info@racheldonath.com)

# RACHEL DONATH