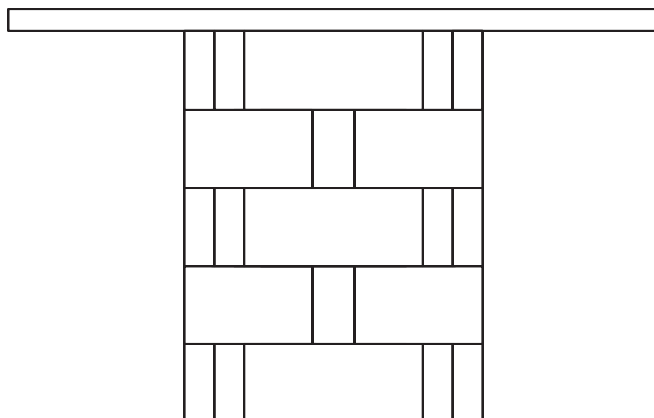


# RACHEL DONATH

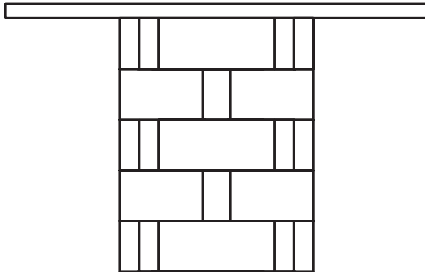


## VIVI TRAVERTINE DINING TABLE

# RACHEL DONATH

# VIVI TRAVERTINE DINING TABLE

Thank you for purchasing the Rachel Donath Vivi Travertine Dining Table. This guide outlines the items you'll find in your delivery. It's essential to inspect the hardware and each component of the product carefully as you unbox and get ready for assembly. To prevent any damage, make sure to place the items on a carpeted or padded surface while unpacking.



## HARDWARE

5 x M6x16mm Screws

## TOOLS REQUIRED

Allen Key (supplied)

## PEOPLE REQUIRED FOR ASSEMBLY

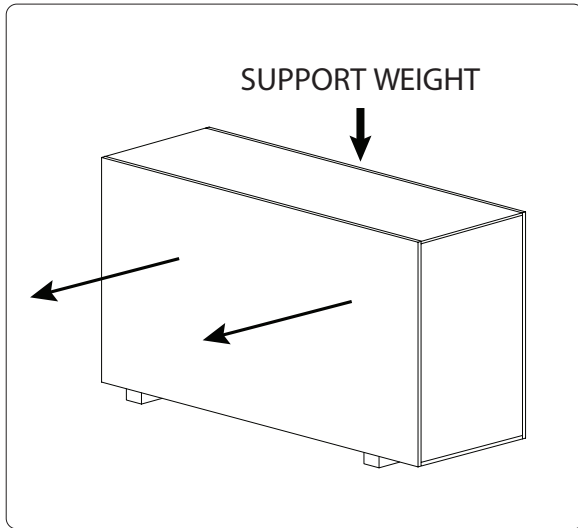
Minimum 2 persons

## ESTIMATED TIME OF ASSEMBLY

45 Minutes

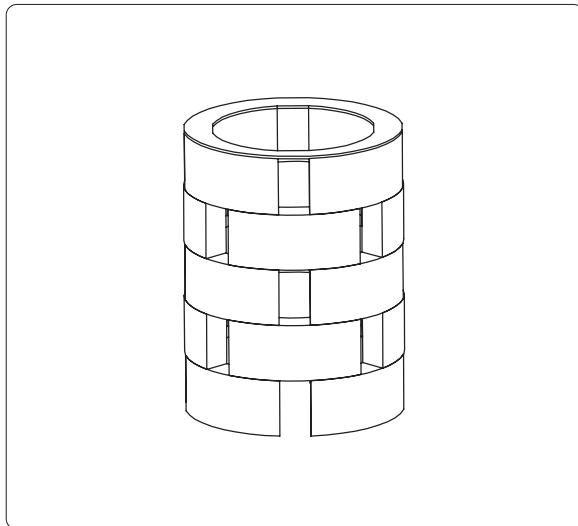
This page is intentionally left blank

RACHEL DONATH



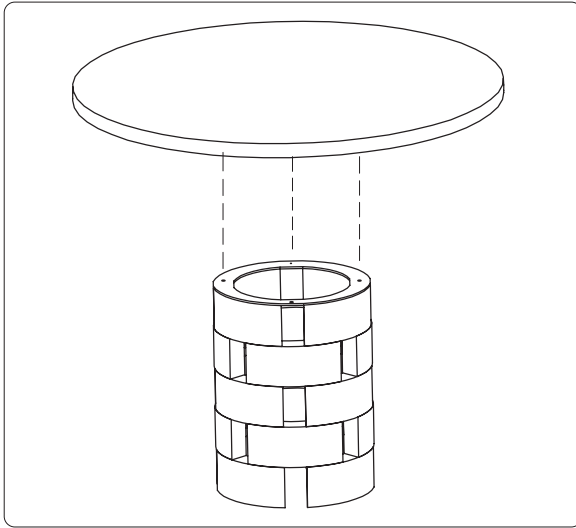
**STEP 1:**

Open the crates carefully, ensuring no tools come into contact with the product. Open the dining table crate from the front face, with the rear of the carton supported so that the crate does not tip over. Remove packaging and gently place the product on ground.



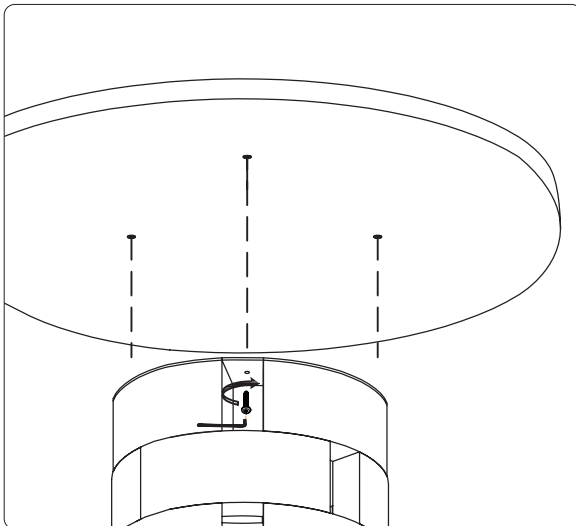
**STEP 2:**

Place the table base in the desired position in your room, making sure to lift, not drag the table base. The side with the metal top should be facing upwards.



**STEP 3:**

With someone to assist you, unpack and lift the top into place above the table base, aligning the bolt holes underneath.



**STEP 4:**

Using the supplied screws and allen key, fasten the base and top together from the underneath. Periodically check and retighten any fasteners, we recommend every six months.

## CARE INSTRUCTIONS

Taking a little extra care can significantly extend the lifespan of your furniture. The information below serves as a general guideline, and is to be used for optimal durability of your Rachel Donath furniture.

1. Stone and marble are naturally occurring organic materials, and can contain variations in grain, colour or texture. These differences are to be expected as individual characteristics of the material and inject personality into the item.
2. Wipe spills immediately with a damp, clean cloth to avoid staining, as stone is naturally porous, the longer the spill remains, the harder it is to remove. We recommend that you use mats and coasters to protect your marble and stone from heat, scratches and permanent marks. Stone is a natural product of the earth and must be cleaned with gentle cleaners. Do not use scouring cream or scouring pads, as they may scratch the surface. Never use acidic or abrasive cleaners or vinegar on either stone or marble surfaces.
3. Periodically also check and re-tighten any fasteners, we recommend every six months.

By following these instructions, you can ensure the longevity and beauty of your Rachel Donath furniture.

## CUSTOMER SERVICE

For Australian customer service contact :  
[info@racheldonath.com](mailto:info@racheldonath.com)

# RACHEL DONATH