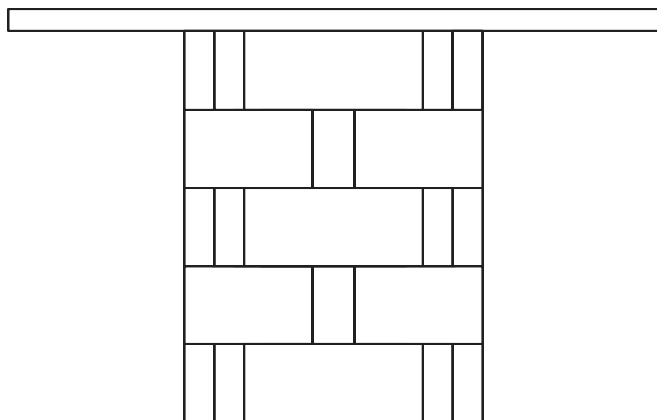


RACHEL DONATH

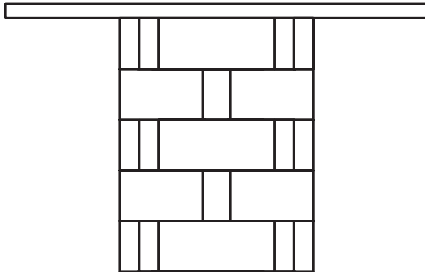


VIVI TIMBER DINING TABLE

RACHEL DONATH

VIVI TIMBER DINING TABLE

Thank you for purchasing the Rachel Donath Vivi Timber Dining Table. This guide outlines the items you'll find in your delivery. It's essential to inspect the hardware and each component of the product carefully as you unbox and get ready for assembly. To prevent any damage, make sure to place the items on a carpeted or padded surface while unpacking.



HARDWARE

A: 4 x M6x25mm Screws

B: 4 x M6x13mm Spring Washers

C: 4 x M6x13mm Flat washers

TOOLS REQUIRED

Allen Key (supplied)

PEOPLE REQUIRED FOR ASSEMBLY

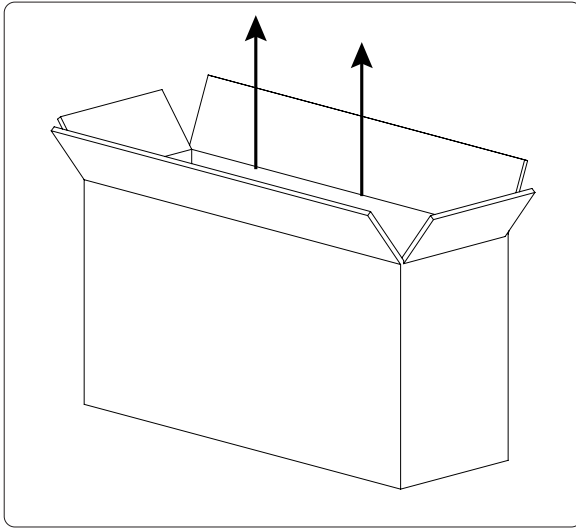
Minimum 2 persons

ESTIMATED TIME OF ASSEMBLY

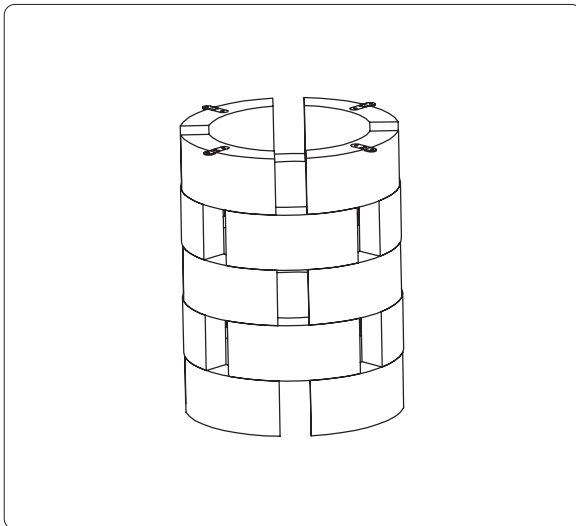
45 Minutes

This page is intentionally left blank

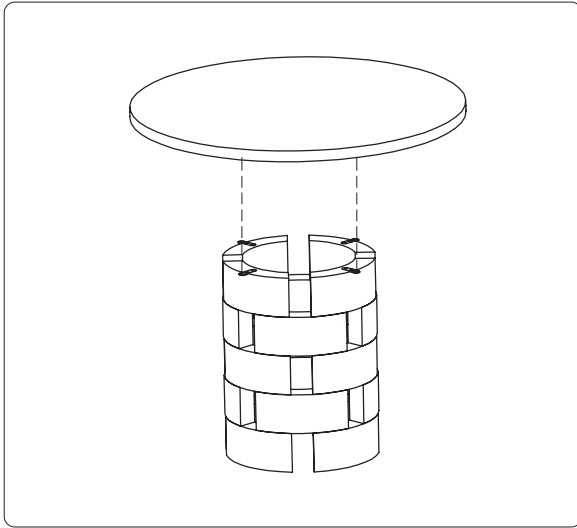
RACHEL DONATH



STEP 1:
Open boxes carefully, ensuring the blade of the knife does not come into contact with the product. Remove packaging and lift the product up out of box and gently place on ground.

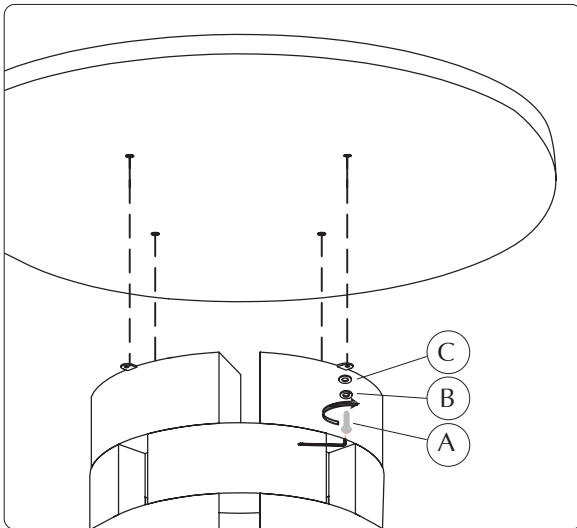


STEP 2:
Place the table base in the desired position in your room, making sure to lift, not drag the table base. The side with the metal tabs should be facing upwards.



STEP 3:

With someone to assist you, unpack and lift the top into place above the table base, aligning the bolt holes underneath.



STEP 4:

Using the supplied screws, flat washers, spring washers and allen key, fasten the base and top together from the underneath. Periodically check and retighten any fasteners, we recommend every six months.

CARE INSTRUCTIONS

Taking a little extra care can significantly extend the lifespan of your furniture. The information below serves as a general guideline, and is to be used for optimal durability of your Rachel Donath furniture.

1. Placement Considerations: Be mindful of where you position your furniture. Our timber pieces are all treated and sealed for everyday living, but extreme conditions, such as prolonged exposure to harsh sunlight, can alter the finish's colour.

2. Timber Care: Timber is responsive to its surroundings. Heat and moisture can cause movement, joint cracks, and lacquer damage. Maintain a stable environment for your timber furniture. We recommend using placemats and trivets to avoid spills soaking into the timber, and to also protect against heat transfer. The general rule is if something is too hot to hold, it is too hot to place on timber.

3. Should spills occur, wipe immediately with a damp cloth. Periodically also check and re-tighten any fasteners, we recommend every six months.

By following these instructions, you can ensure the longevity and beauty of your Rachel Donath furniture.

CUSTOMER SERVICE

For Australian customer service contact :
info@racheldonath.com

RACHEL DONATH