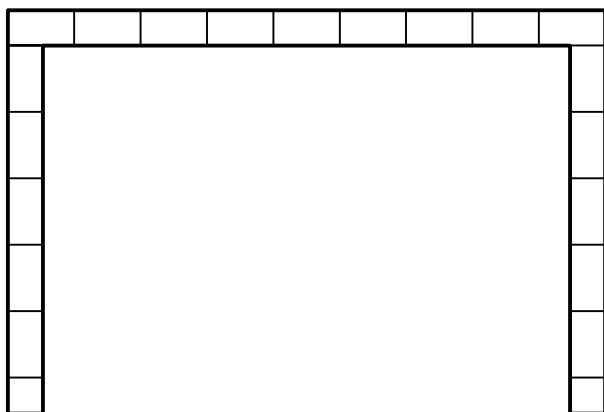


RACHEL DONATH

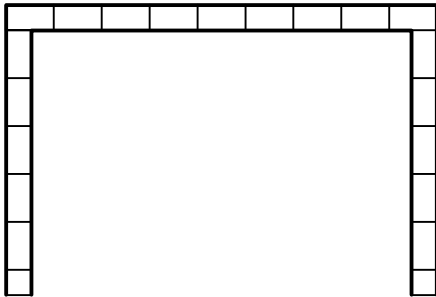


VIVI TRAVERTINE CONSOLE

RACHEL DONATH

VIVI TRAVERTINE CONSOLE

Thank you for purchasing the Rachel Donath Vivi Travertine Console. This guide outlines the items you'll find in your delivery. It's essential to inspect the hardware and each component of the product carefully as you unbox and get ready for assembly. To prevent any damage, make sure to place the items on a carpeted or padded surface while unpacking.



HARDWARE

- 4 x Connector brackets
- 2 x Fixing wire
- 2 x Screw - short
- 2 x Screw - Long
- 2 x Plastic screw wall anchor

TOOLS REQUIRED

- Screwdriver (supplied)
- Power drill (not supplied if required)

PEOPLE REQUIRED FOR ASSEMBLY

- 2 Person

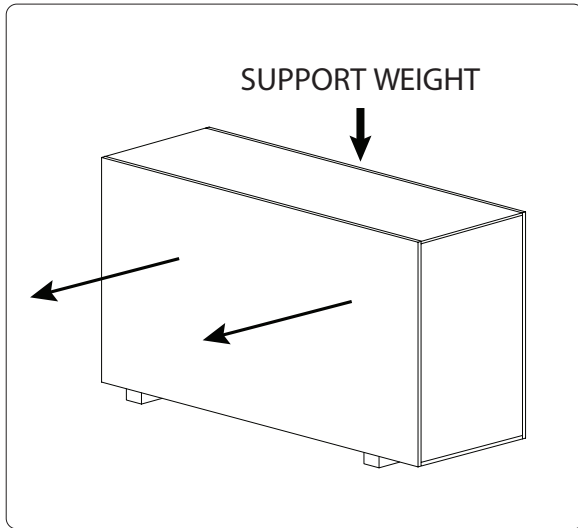
ESTIMATED TIME OF ASSEMBLY

- 45 Minutes

NOTE: Be sure to use hardware appropriate for your wall type. Whenever possible, attach mounting hardware into a wall stud. If you are unsure about what hardware method you should use, consult a qualified professional or your local hardware store.

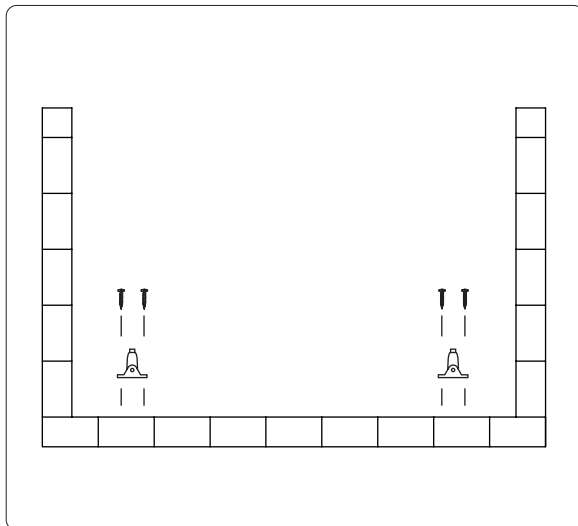
This page is intentionally left blank

RACHEL DONATH



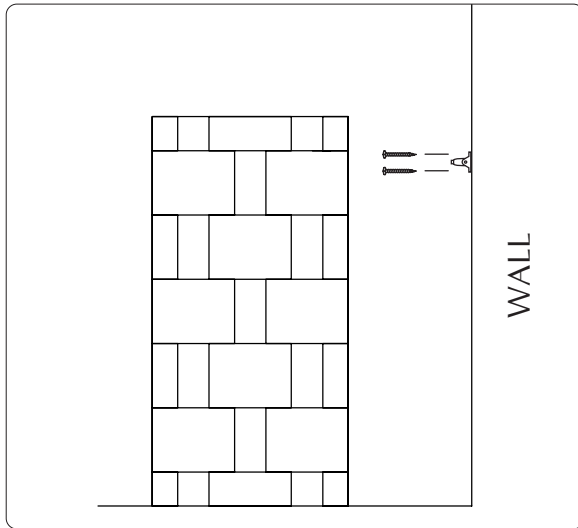
STEP 1:

Open the crates carefully, ensuring no tools come into contact with the product. Open the crate from the front face, with the rear of the carton supported so that the crate does not tip over. Remove packaging and gently place the product on ground.



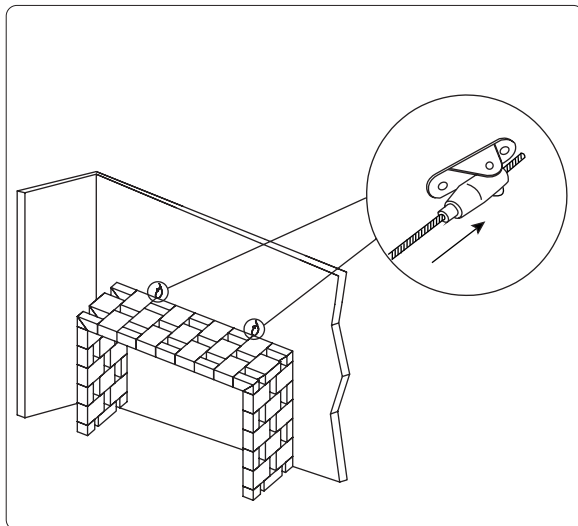
STEP 2:

We strongly recommend that you install the provided anti-tip kit to prevent the console from accidentally falling and causing injury or damage. Gently lay the console face down onto a clean, flat, surface on the ground, using a towel or sheet underneath for protection. With a screw driver, secure the anti-tip kit to the console by fixing the connector brackets with Short screws into the pre-drilled pilot holes on the underneath face of the console.



STEP 3:

Position the console in place in your room, and mark on the wall where the anti-tip cables should be attached - roughly 2" away from the console when secured. Drill a hole into the wall to suit the appropriate fixings for your wall type. A pilot hole is recommended to be drilled for installation. Fasten the second set of mounting brackets to the wall using appropriate fixings for your wall type.



STEP 4:

Connect the unit brackets and wall connector brackets by feeding the metal wire through the small hole at each fixing head.

Tighten the connection by feeding through more metal wire until the unit is tightly fixed, and in position against the wall.

CARE INSTRUCTIONS

Taking a little extra care can significantly extend the lifespan of your furniture. The information below serves as a general guideline, and is to be used for optimal durability of your Rachel Donath furniture.

1. Stone and marble are naturally occurring organic materials, and can contain variations in grain, colour or texture. These differences are to be expected as individual characteristics of the material and inject personality into the item.
2. Wipe spills immediately with a damp, clean cloth to avoid staining, as stone is naturally porous, the longer the spill remains, the harder it is to remove. We recommend that you use mats and coasters to protect your marble and stone from heat, scratches and permanent marks. Stone is a natural product of the earth and must be cleaned with gentle cleaners. Do not use scouring cream or scouring pads, as they may scratch the surface. Never use acidic or abrasive cleaners or vinegar on either stone or marble surfaces.
3. Periodically also check and re-tighten any fasteners, we recommend every six months.

By following these instructions, you can ensure the longevity and beauty of your Rachel Donath furniture.

CUSTOMER SERVICE

For Australian customer service contact :
info@racheldonath.com

RACHEL DONATH