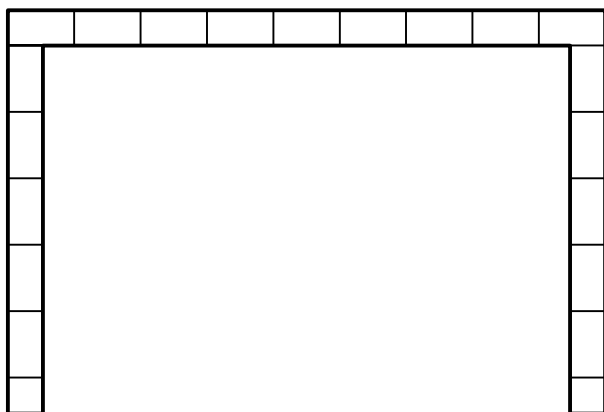


# RACHEL DONATH

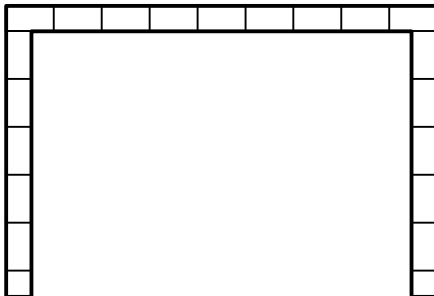


## VIVI TIMBER CONSOLE

# RACHEL DONATH

# VIVI TIMBER CONSOLE

Thank you for purchasing the Rachel Donath Vivi Timber Console. This guide outlines the items you'll find in your delivery. It's essential to inspect the hardware and each component of the product carefully as you unbox and get ready for assembly. To prevent any damage, make sure to place the items on a carpeted or padded surface while unpacking.



## HARDWARE

- 2 x Screw Ø8x2"
- 2 x Screw Ø6x3/4"
- 2 x Plastic screw wall anchor
- 4 x Mounting brackets
- 2 x Nylon fixing straps

## TOOLS REQUIRED

- Screwdriver (not supplied)
- Power drill (not supplied if required)

## PEOPLE REQUIRED FOR ASSEMBLY

2 Person

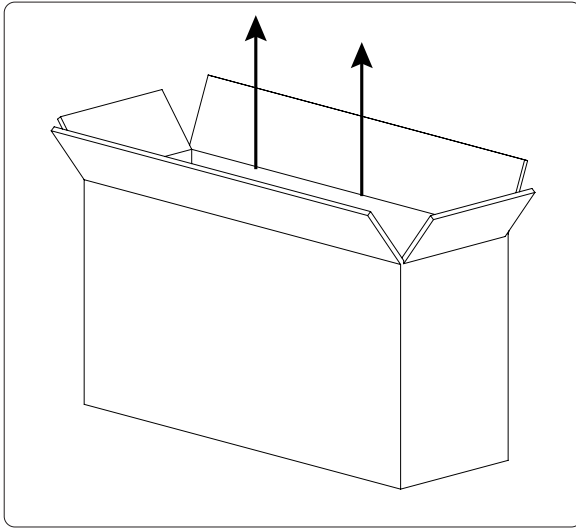
## ESTIMATED TIME OF ASSEMBLY

45 Minutes

NOTE: Be sure to use hardware appropriate for your wall type. Whenever possible, attach mounting hardware into a wall stud. If you are unsure about what hardware method you should use, consult a qualified professional or your local hardware store.

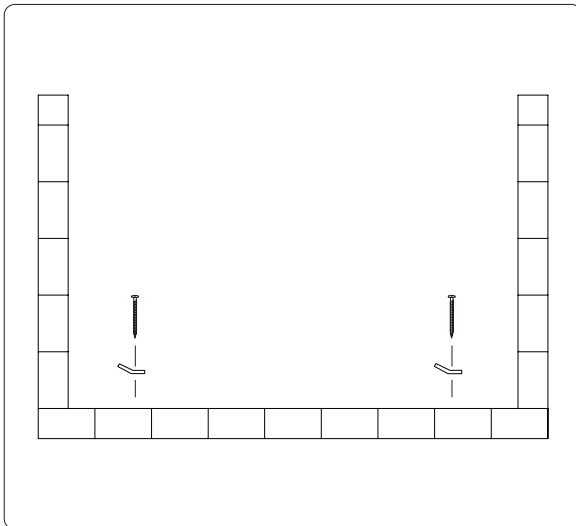
This page is intentionally left blank

RACHEL DONATH



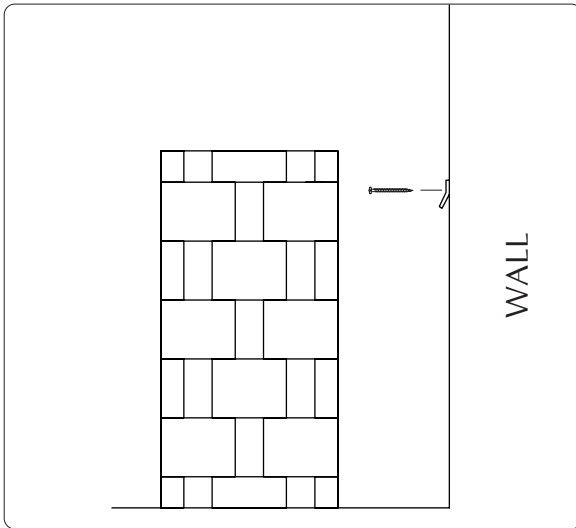
#### STEP 1:

Open box carefully, ensuring the blade of the knife does not come into contact with the product. Remove packaging and lift the product up out of box and gently place on ground. Position in your room.



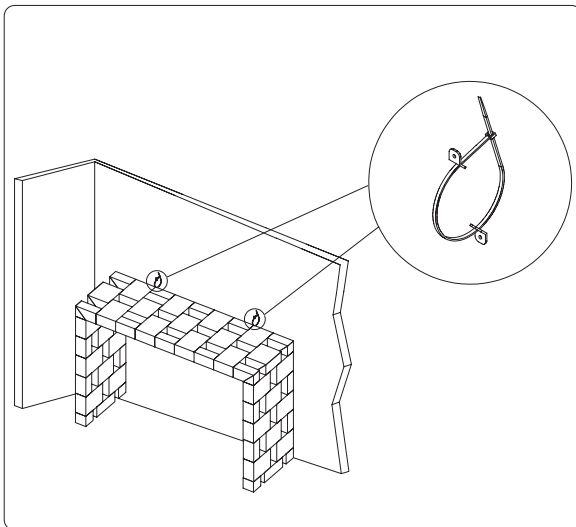
#### STEP 2:

We strongly recommend that you install the provided anti-tip kit to prevent the console from accidentally falling and causing injury or damage. Gently lay the console face down onto a clean, flat, surface on the ground, using a towel or sheet underneath for protection. With a screw driver, secure the anti-tip kit to the console by fixing the mounting brackets with  $\text{Ø}6 \times 3/4$ " screws into the pre-drilled pilot holes on the underneath face of the console.



### STEP 3:

Position the console in place in your room, and mark on the wall where the anti-tip cables should be attached - roughly 2" away from the console when secured. Drill a hole into the wall to suit the appropriate fixings for your wall type. A pilot hole is recommended to be drilled for installation. Fasten the second set of mounting brackets to the wall using appropriate fixings for your wall type.



### STEP 4:

Loop the Nylon fixing straps through both the wall and console mounting brackets. Tighten the straps to hold the console in place and cut any excess cord from the end of the strap. Move your console back in place against the wall, don't forget to recycle the packaging where possible.

## CARE INSTRUCTIONS

Taking a little extra care can significantly extend the lifespan of your furniture. The information below serves as a general guideline, and is to be used for optimal durability of your Rachel Donath furniture.

1. Placement Considerations: Be mindful of where you position your furniture. Our timber pieces are all treated and sealed for everyday living, but extreme conditions, such as prolonged exposure to harsh sunlight, can alter the finish's colour.

2. Timber Care: Timber is responsive to its surroundings. Heat and moisture can cause movement, joint cracks, and lacquer damage. Maintain a stable environment for your timber furniture. We recommend using placemats and trivets to avoid spills soaking into the timber, and to also protect against heat transfer. The general rule is if something is too hot to hold, it is too hot to place on timber.

3. Should spills occur, wipe immediately with a damp cloth. Periodically also check and re-tighten any fasteners, we recommend every six months.

By following these instructions, you can ensure the longevity and beauty of your Rachel Donath furniture.

## CUSTOMER SERVICE

For Australian customer service contact :  
[info@racheldonath.com](mailto:info@racheldonath.com)

# RACHEL DONATH