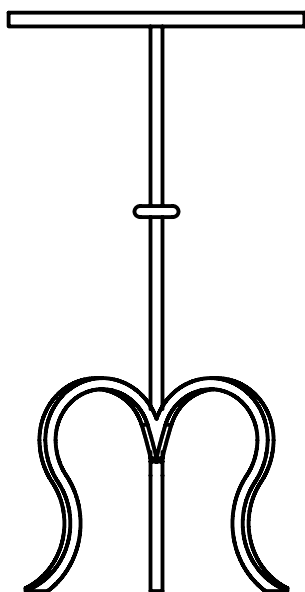


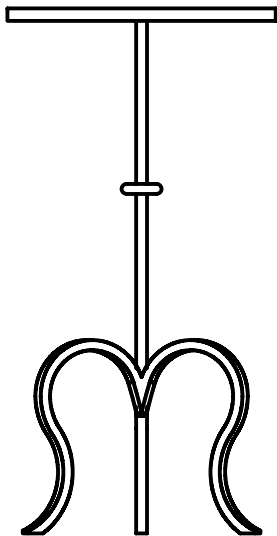
# RACHEL DONATH



## LAVIGNE SIDE TABLE

# LAVIGNE SIDE TABLE

Thank you for purchasing the Rachel Donath Lavigne Side Table. This guide outlines the items you'll find in your delivery. It's essential to inspect the hardware and each component of the product carefully as you unbox and get ready for assembly. To prevent any damage, make sure to place the items on a carpeted or padded surface while unpacking.



## HARDWARE

None

## TOOLS REQUIRED

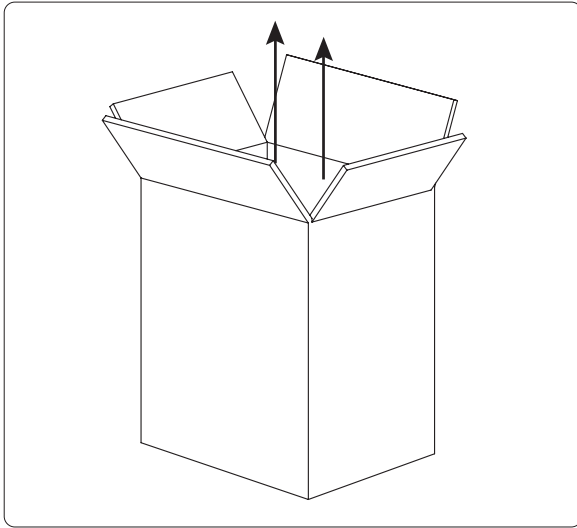
None

## PEOPLE REQUIRED FOR ASSEMBLY

1 Person

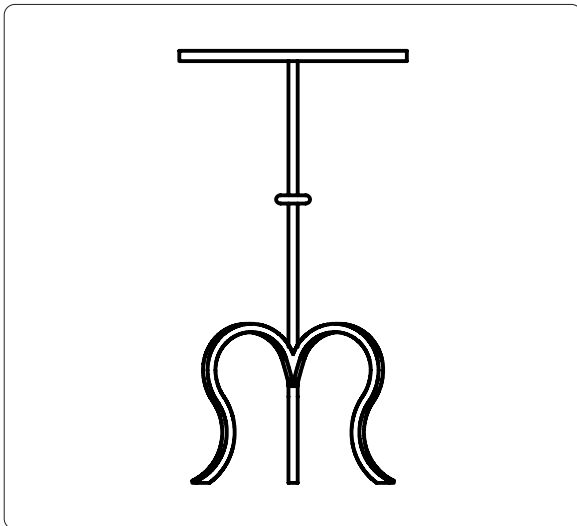
## ESTIMATED TIME OF ASSEMBLY

10 Minutes



**STEP 1:**

Open box carefully, ensuring the blade of the knife does not come into contact with the product. Remove packaging and lift the product up out of box and gently place on ground.



**STEP 2:**

Position in your room, and don't forget to recycle the packaging where possible

## CARE INSTRUCTIONS

Taking a little extra care can significantly extend the lifespan of your furniture. The information below serves as a general guideline, and is to be used for optimal durability of your Rachel Donath furniture.

1. Placement Considerations: Be mindful of where you position your furniture. Extreme conditions, such as prolonged exposure to harsh sunlight, can alter the finish's colour.

2. Metal Care: Although resistant to rust, powdercoated metals will oxidize if the coating is chipped, scratched or exposed to harsh chemicals and UV rays over time. Do not use harsh solvent-based, abrasive or stainless steel cleaners. These will accelerate staining, fading and ultimate failure of the powdercoated finish. We recommend using a mild soap product.

By following these instructions, you can ensure the longevity and beauty of your Rachel Donath furniture.

## CUSTOMER SERVICE

For Australian customer service contact :  
[info@racheldonath.com](mailto:info@racheldonath.com)

# RACHEL DONATH