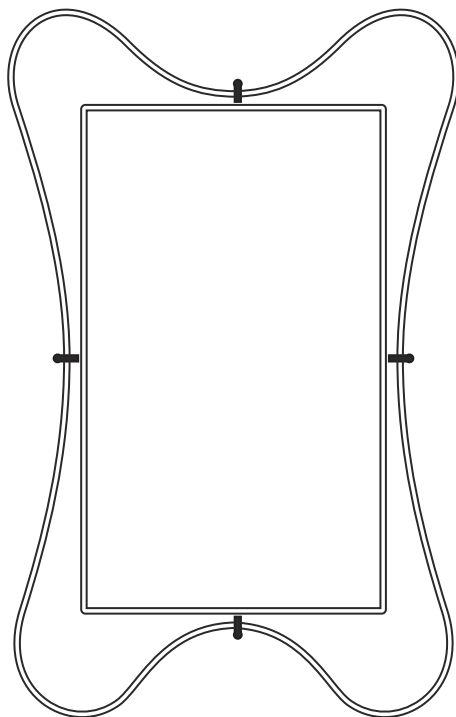


RACHEL DONATH

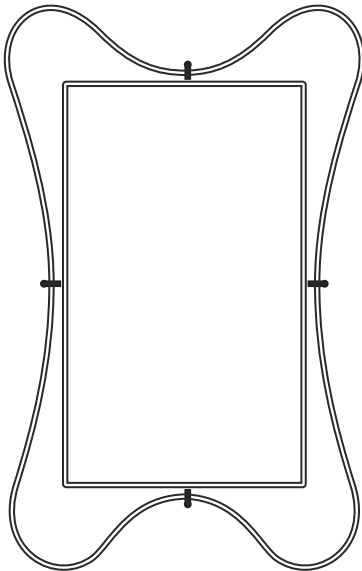


ARTE MIRROR

RACHEL DONATH

ARTE MIRROR

Thank you for purchasing the Rachel Donath Arte Mirror. This guide outlines the items you'll find in your delivery. It's essential to inspect the hardware and each component of the product carefully as you unbox and get ready for assembly. To prevent any damage, make sure to place the items on a carpeted or padded surface while unpacking.



HARDWARE

x2 Wall fixing screws (not supplied)

x2 Screw wall anchors (not supplied)

TOOLS REQUIRED

Screwdriver (not supplied)

Power drill (not supplied if required)

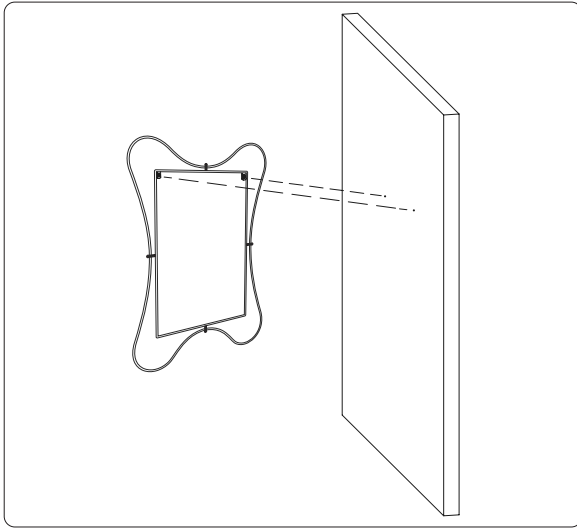
PEOPLE REQUIRED FOR ASSEMBLY

1 Person

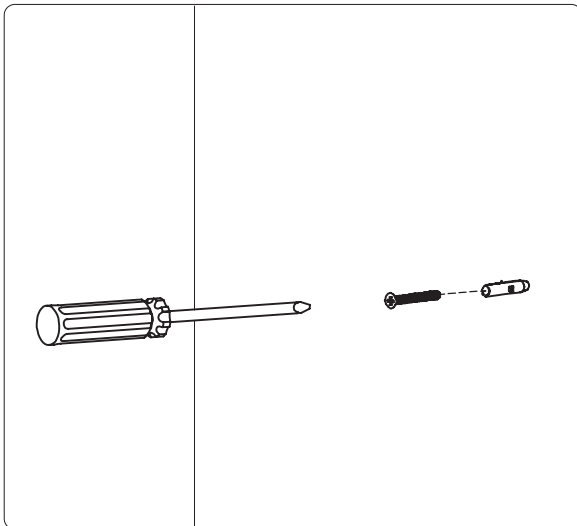
ESTIMATED TIME OF ASSEMBLY

30 Minutes

NOTE: Be sure to use hardware appropriate for your wall type. Whenever possible, attach mounting hardware into a wall stud. If you are unsure about what hardware method you should use, consult a qualified professional or your local hardware store.

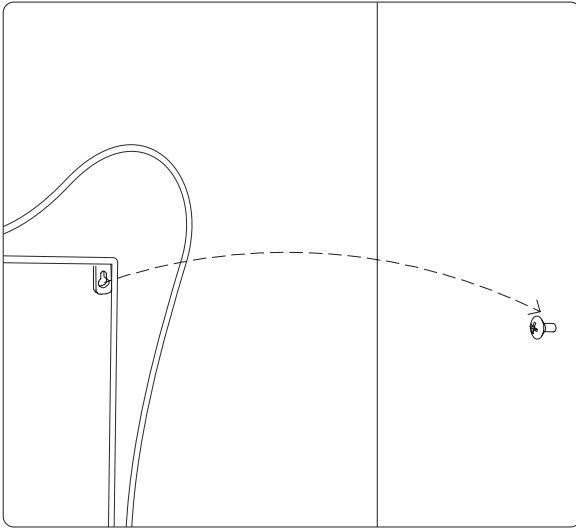


STEP 1:
Holding the mirror in place,
determine where you wish to
hang your mirror and mark on
the wall where the mounting
anchor screws should be inserted
- in line with the hooks on the
rear of the mirror.



STEP 2:
Attach the mounting anchor
screws to the wall, using the
plastic screw wall anchor
or hardware appropriate for
your wall type. A pilot hole
is recommended to be drilled
before installation. Whenever
possible, attach mounting
hardware into a wall stud.

STEP 3:
Lifting the mirror carefully, hook
the clip on the rear of the mirror
over the wall mounting anchor
screw.



CARE INSTRUCTIONS

Taking a little extra care can significantly extend the lifespan of your furniture. The information below serves as a general guideline, and is to be used for optimal durability of your Rachel Donath furniture.

1. Placement Considerations: Be mindful of where you position your furniture. Extreme conditions, such as prolonged exposure to harsh sunlight, can alter the finish's colour.

2. Metal Care: Although resistant to rust, powdercoated metals will oxidize if the coating is chipped, scratched or exposed to harsh chemicals and UV rays over time. Do not use harsh solvent-based, abrasive or stainless steel cleaners. These will accelerate staining, fading and ultimate failure of the powdercoated finish. We recommend using a mild soap product.

By following these instructions, you can ensure the longevity and beauty of your Rachel Donath furniture.

CUSTOMER SERVICE

For Australian customer service contact :

info@racheldonath.com

RACHEL DONATH