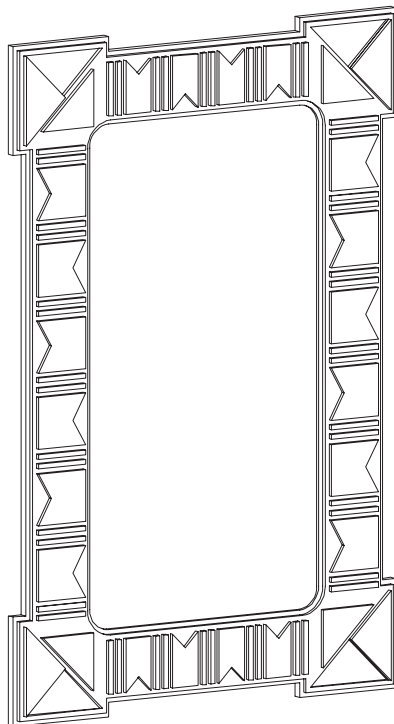


RACHEL DONATH

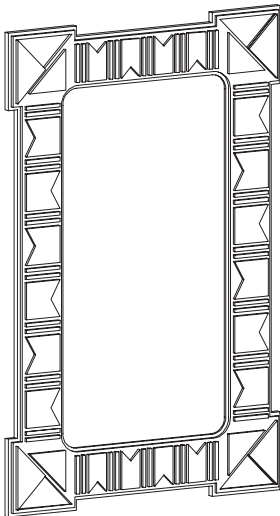


ARCHAE MIRROR

RACHEL DONATH

ARCHAE MIRROR

Thank you for purchasing the Rachel Donath Archae Mirror. This guide outlines the items you'll find in your delivery. It's essential to inspect the hardware and each component of the product carefully as you unbox and get ready for assembly. To prevent any damage, make sure to place the items on a carpeted or padded surface while unpacking.



HARDWARE

(H-1) x2 Screw $\text{Ø}8 \times 1 \frac{1}{2}$ "

(H-2) x2 Plastic screw wall anchor

TOOLS REQUIRED

Screwdriver (not supplied)

Power drill (not supplied if required)

PEOPLE REQUIRED FOR ASSEMBLY

1 Person

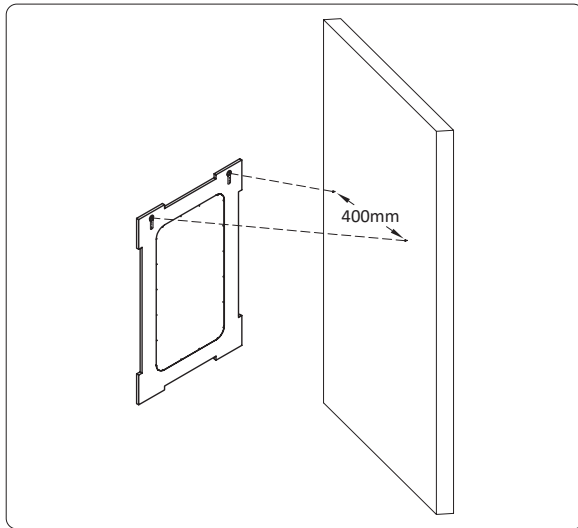
ESTIMATED TIME OF ASSEMBLY

30 Minutes

NOTE: Be sure to use hardware appropriate for your wall type. Whenever possible, attach mounting hardware into a wall stud. If you are unsure about what hardware method you should use, consult a qualified professional or your local hardware store.

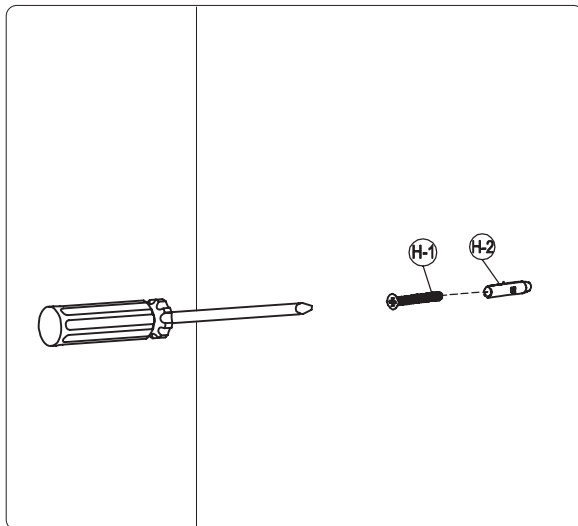
This page is intentionally left blank

RACHEL DONATH



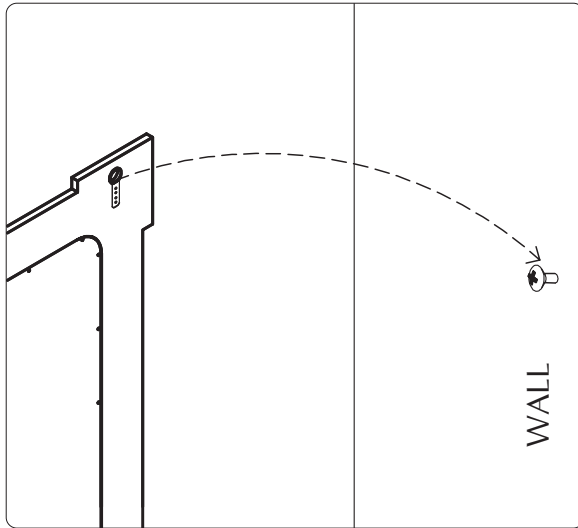
STEP 1:

Holding the mirror in place, determine where you wish to hang your mirror and mark on the wall where the mounting anchor screws should be inserted - in line with the hooks on the rear of the mirror. Double checking all measurements, these hooks should be 400mm apart.



STEP 2:

Attach the mounting anchor screws to the wall, using the plastic screw wall anchors or hardware appropriate for your wall type. A pilot hole is recommended to be drilled before installation. Whenever possible, attach mounting hardware into a wall stud.



STEP 3:

Lifting the mirror carefully, hook the clips on the rear of the mirror over the wall mounting anchor screws.

CARE INSTRUCTIONS

Taking a little extra care can significantly extend the lifespan of your furniture. The information below serves as a general guideline, and is to be used for optimal durability of your Rachel Donath furniture.

1. Placement Considerations: Be mindful of where you position your furniture. Extreme conditions, such as prolonged exposure to harsh sunlight, can alter the finish's colour.

2. Plaster Care: Lightly wipe clean with a soft dry or damp cloth.

3. Mirror Care: When cleaning glass or mirror surfaces, a microfibre cloth is best. Avoid harsh, abrasive cleaners and do not use scrapers or razor blades to clean glass.

By following these instructions, you can ensure the longevity and beauty of your Rachel Donath furniture.

CUSTOMER SERVICE

For Australian customer service contact :
info@racheldonath.com

RACHEL DONATH