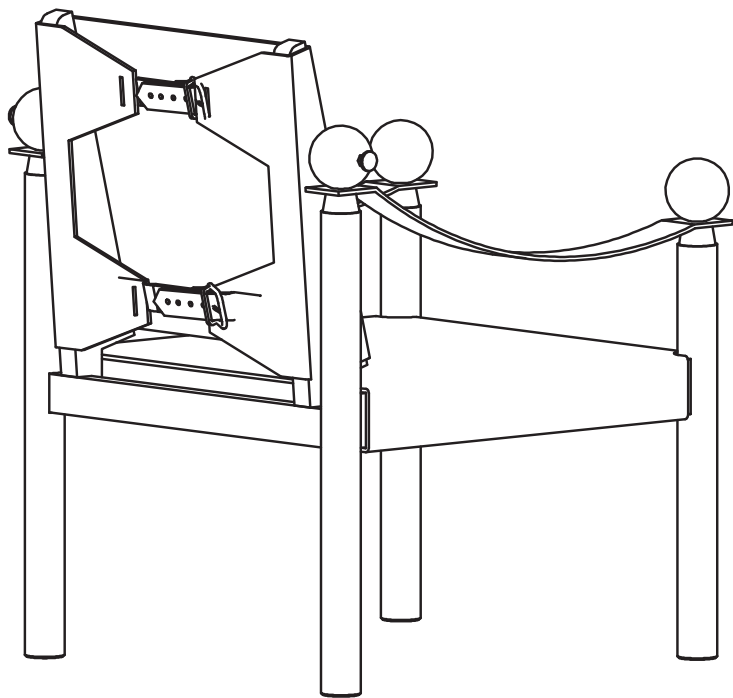


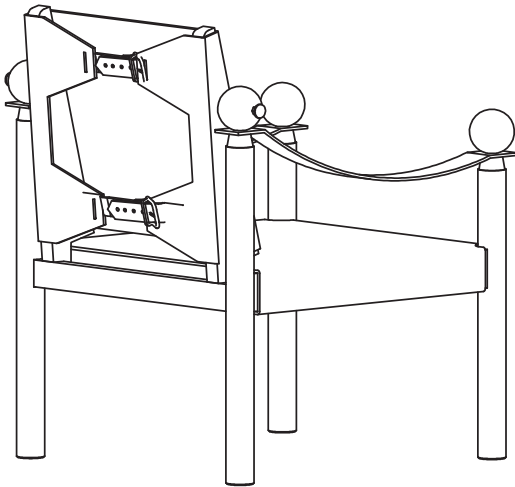
RACHEL DONATH



SAFARI CHAIR

SAFARI CHAIR

Thank you for purchasing the Rachel Donath Safari Chair. This guide outlines the items you'll find in your delivery. It's essential to inspect the hardware and each component of the product carefully as you unbox and get ready for assembly. To prevent any damage, make sure to place the items on a carpeted or padded surface while unpacking.



HARDWARE

None

TOOLS REQUIRED

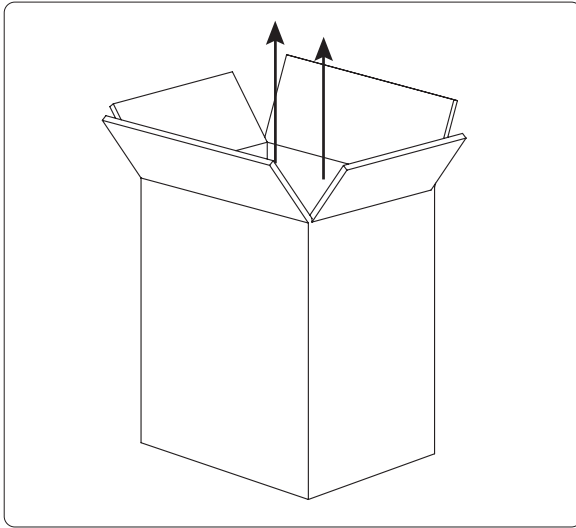
None

PEOPLE REQUIRED FOR ASSEMBLY

1 Person

ESTIMATED TIME OF ASSEMBLY

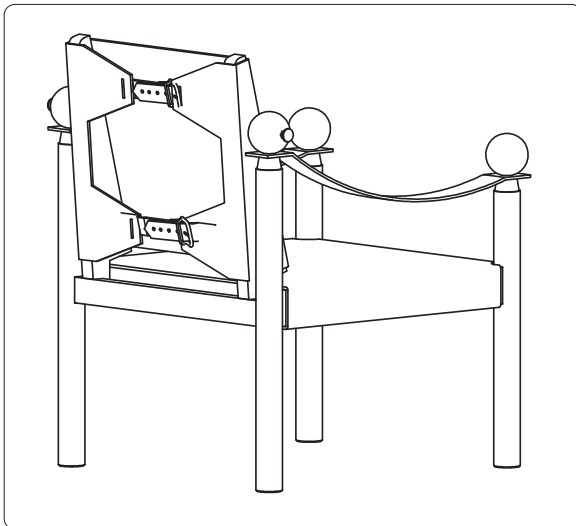
10 Minutes



STEP 1:

Open box carefully, ensuring the blade of the knife does not come into contact with the product.

Remove packaging and lift the product up out of box and gently place on ground.



STEP 2:

Position in your room, and don't forget to recycle the packaging where possible

CARE INSTRUCTIONS

Taking a little extra care can significantly extend the lifespan of your furniture. The information below serves as a general guideline, and is to be used for optimal durability of your Rachel Donath furniture.

1. Placement Considerations: Be mindful of where you position your furniture. Extreme conditions, such as prolonged exposure to harsh sunlight, can alter the finish's colour and texture.

2. Leather Care: Regularly wipe with a dry cloth to eliminate lingering dust and the accumulation of dirt. In case of spills, promptly blot liquids with an absorbent cloth, as prolonged contact may lead to absorption. For butter, oil, or grease spills, use a clean, dry cloth to wipe them away, allowing the leather to naturally absorb any remaining residue. Persistent stains can be addressed by lightly dampening a cloth with warm water and blotting the affected area. If needed, a mixture of mild soap and water can be applied, followed by blotting with a dry cloth—avoid scrubbing. Refrain from using harsh cleaners or solvents, as they can potentially damage the leather's finish.

3. Timber Care: Timber is responsive to its surroundings. Heat and moisture can cause movement, joint cracks, and lacquer damage. Maintain a stable environment for your timber furniture. Should spills occur, wipe immediately with a damp cloth. Periodically also check and re-tighten any fasteners, we recommend every six months.

CUSTOMER SERVICE

For Australian customer service contact :
info@racheldonath.com

RACHEL DONATH