

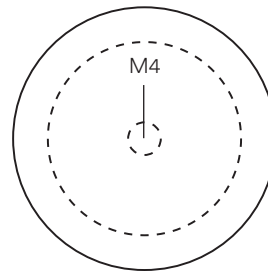
Handle Mounting Instructions / Parasol

Content

1 X Mounting screw M4



1 X Parasol



Mounting

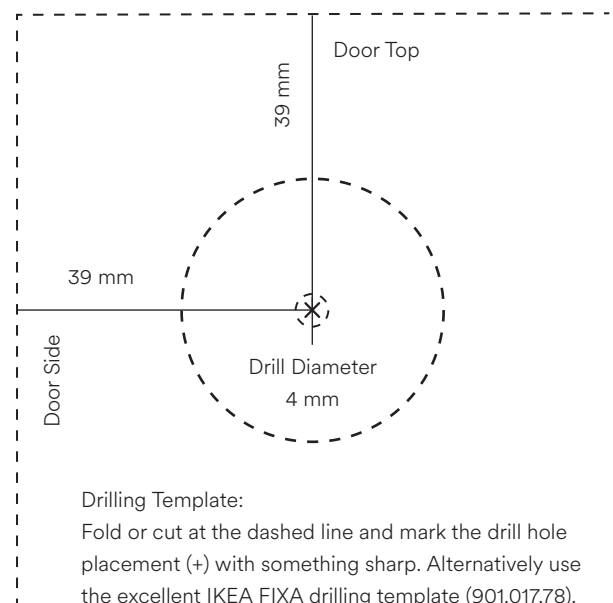
It's a matter of taste. You can mount your Parasol Handle where you think it looks the best.

We like to place them like this:

- 39 mm from the front edge
- 39 mm from the side edge

1. Mark the position of the drilling holes on the front side of the doors using a drilling template.

2. Drill the holes for the screws from the front side of the doors.



Safety

Be sure to always follow the safety instructions that apply to your IKEA cabinet frame. Always secure the cabinet to the wall. This also applies to low cabinets where the weight distribution changes drastically when the doors are opened. Especially in the case the solid A.S.Helsingö doors. Use the anchor brackets supplied with the IKEA cabinet frame.