

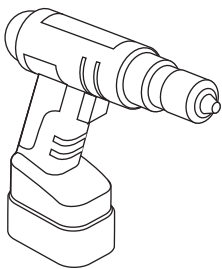
Wardrobes Mounting Instructions / Lalax

Before you begin

Please read these instructions carefully before you start assembling your new wardrobe:

- Our wardrobes are easy to assemble, but you need to have basic skills in using tools such as an electric screwdriver and clamps.
- Make sure you have assembled the IKEA PAX cabinet frames correctly, according to IKEA's instructions.
- Do check carefully that the cabinet frames are straight to ensure a beautiful result.
- Assemble the wardrobe on a smooth and even surface, preferably on a thin carpet close to the area you are planning to place it. We also recommend having help, to minimize the risk of damaging any of the parts.

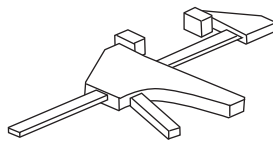
Tools needed



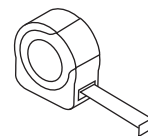
Electric screwdriver



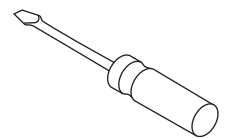
Bits (T20)



2 x Clamps



Tape measure



Flat head screwdriver

Disclaimer

Suggestions in these mounting instructions are provided for informational purposes only. A.S.Helsingö does not guarantee the efficacy of the instructions, as unforeseen variables, such as the existing wall, ceiling and flooring conditions, and alternative designs, may render these suggestions moot. Equally, A.S.Helsingö does not guarantee that this information is up to date. For questions concerning IKEA products, specifications, or utilizations, please refer to IKEA's manuals and instructions.

General Safety Guidelines

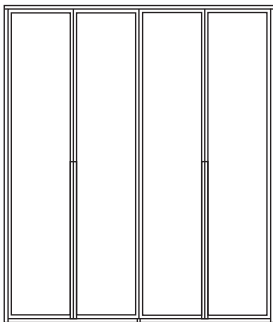
- Read all IKEA's and A.S.Helsingö's assembly instructions carefully before beginning the installation. Failure to follow the instructions may result in property damage, bodily injury, or loss of life.
- Read all safety instructions carefully for the tools that you use in the installation.
- Be aware of water and power lines when drilling into walls.
- Lift all items carefully, especially heavy parts.
- Keep children away.

Lalax

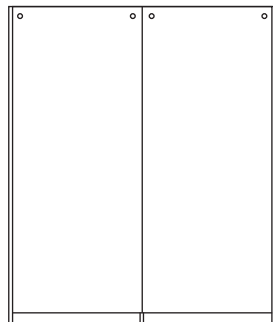
Contents

Width	75 cm	100 cm	150 cm
Screws (4 x 30 mm)	16	16	23
Handle screws (3,5 x 30mm)	8/10	16/20	16/20
Doors	2	2	4
Side panels	2	2	2
Top panels	1	1	1
Handles	2	2	4

How it will look



Front view



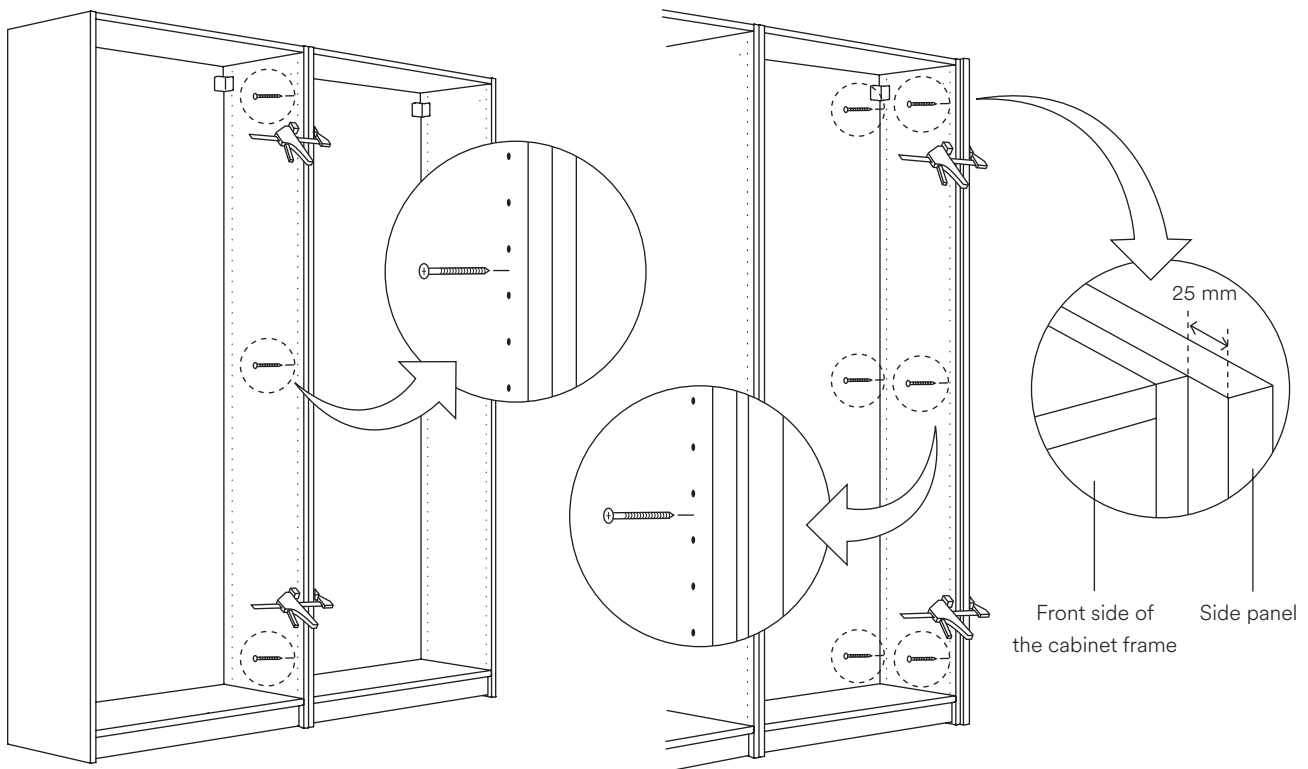
Back view

Please note that the design varies slightly depending on the size of your wardrobe.

Width	200 cm	225 cm	300 cm
Screws (4 x 30 mm)	23	30	30
Handle screws (3,5 x 30mm)	16/20	24/30	24/30
Doors	4	6	6
Side panels	2	2	2
Top panels	1	1	2
Handles	4	6	6

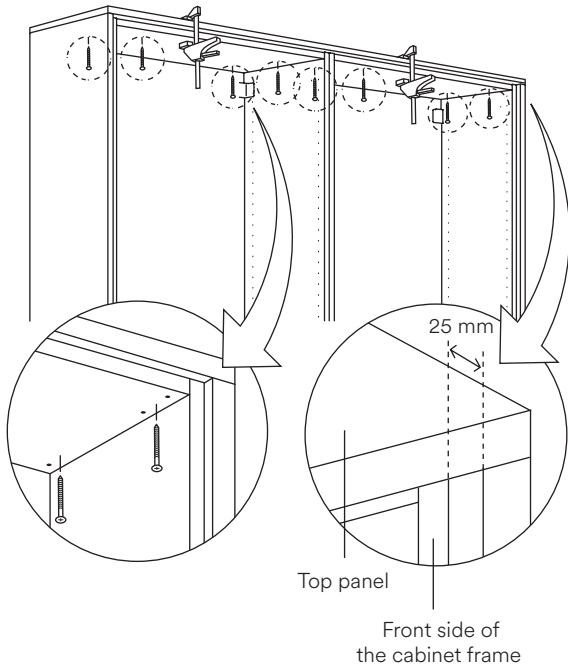
Safety

Please always follow the safety instructions that apply to your IKEA products, especially when securing the cabinet to the wall. It's essential as the weight distribution changes when the doors are open. Use the anchor brackets provided with the IKEA cabinets.

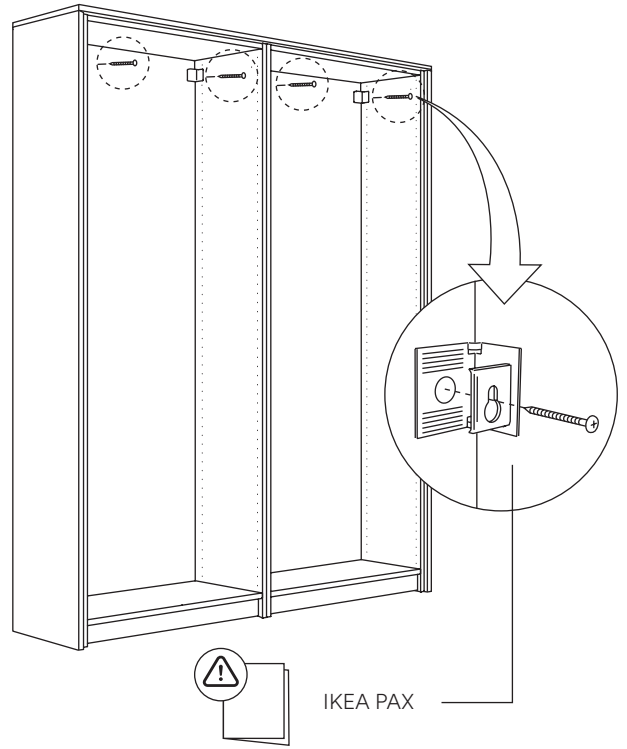


1. Attach the IKEA cabinet frames using three screws. Drill three screws in between the holes of the frame in the front.

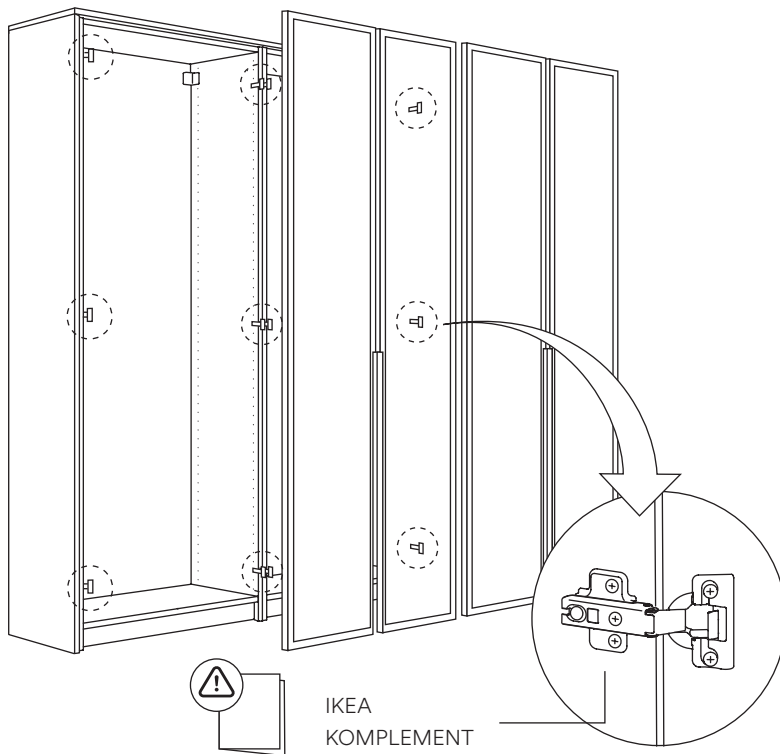
2. Install the side panels. They should stand out of the front of the cabinet frame by 25mm. Drill six screws in between the holes of the frame in the back and front.



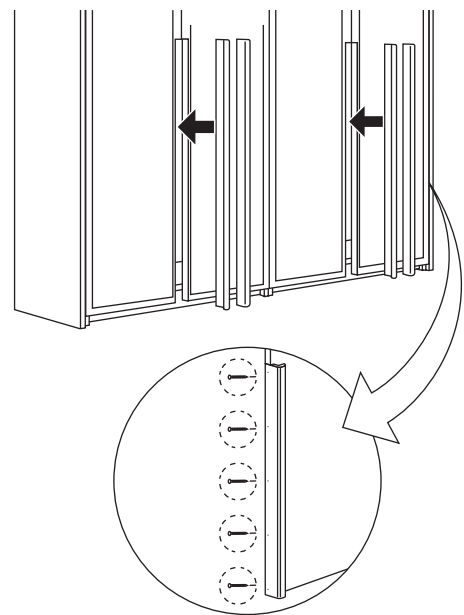
3. Install the top panel with four screws per frame from the inside of the cabinet. In the front drill the screw in between the two holes. In the back drill the screw in front of the hole in the back. The top panel should stand out of the front of the cabinet frame by 25mm.



4. Secure the wardrobe to the wall using brackets and mounting screws, according to IKEA's instructions.



5. Install the hinges following IKEA's instructions. Then attach the doors.



6. Install the handles with the brass screws through the pre-drilled holes (4 or 5 screws depending on height) with a flat head screwdriver. Do not use a power drill.

If you need support, you can always get in touch – we are happy to help!

info@helsingo.com

+358 20 718 1510

+46 85 023 5002