

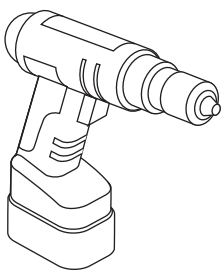
# Wardrobes Mounting Instructions / Ingarö, Ensiö, Samsö

## Before you begin

Please read these instructions carefully before you start assembling your new wardrobe:

- Our wardrobes are easy to assemble, but you need to have basic skills in using tools such as an electric screwdriver and clamps.
- Make sure you have assembled the IKEA PAX cabinet frames correctly, according to IKEA's instructions.
- Do check carefully that the cabinet frames are straight to ensure a beautiful result.
- Assemble the wardrobe on a smooth and even surface, preferably on a thin carpet close to the area you are planning to place it. We also recommend having help, to minimize the risk of damaging any of the parts.

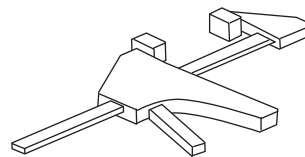
## Tools needed



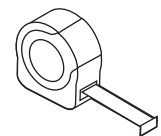
Electric screwdriver



Bits (T20)



2 x Clamps



Tape measure

## Wardrobe styles

Our assembly instructions are style specific, not model specific. All the wardrobe models, INGARÖ, ENSIÖ, and SAMSÖ come in two frame styles shown on the following pages. Each style has specific mounting instructions. You will find the style of your wardrobe from the order confirmation.

## Disclaimer

Suggestions in these mounting instructions are provided for informational purposes only. A.S.Helsingö does not guarantee the efficacy of the instructions, as unforeseen variables, such as the existing wall, ceiling and flooring conditions, and alternative designs, may render these suggestions moot. Equally, A.S.Helsingö does not guarantee that this information is up to date. For questions concerning IKEA products, specifications, or utilizations, please refer to IKEA's manuals and instructions.

## General Safety Guidelines

- Read all IKEA's and A.S.Helsingö's assembly instructions carefully before beginning the installation. Failure to follow the instructions may result in property damage, bodily injury, or loss of life.
- Read all safety instructions carefully for the tools that you use in the installation.
- Be aware of water and power lines when drilling into walls.
- Secure the bathroom cabinet to the wall, regardless of whether you have legs on the furniture or not. If you are uncertain about the ability of the wall to support heavy weights, we recommend that you add legs to your cabinet.
- Lift all items carefully, especially heavy parts.
- Keep children away.

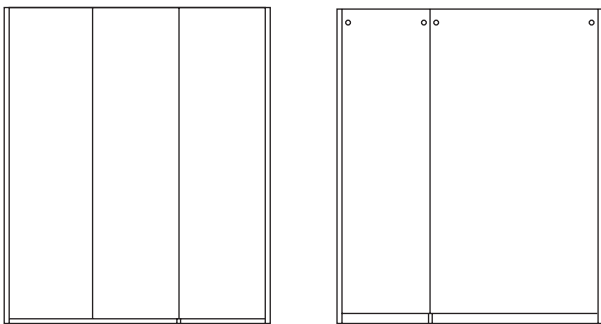
# Style: Plain

## Contents

Width	100 cm	150 cm	200 cm
Screws (4 x 30 mm)	12	20	20
Doors	2	3	4
Side panels	2	2	2

Width	250 cm	300 cm
Screws (4 x 30 mm)	24	24
Doors	5	6
Side panels	2	2

## How it will look



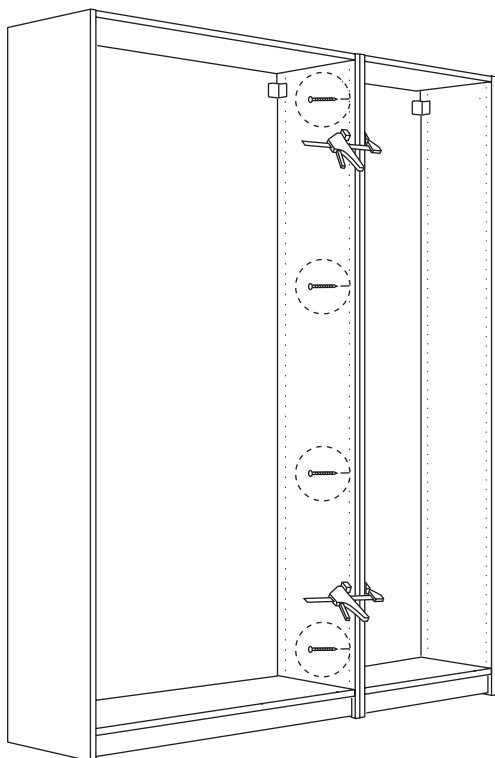
Front view

Back view

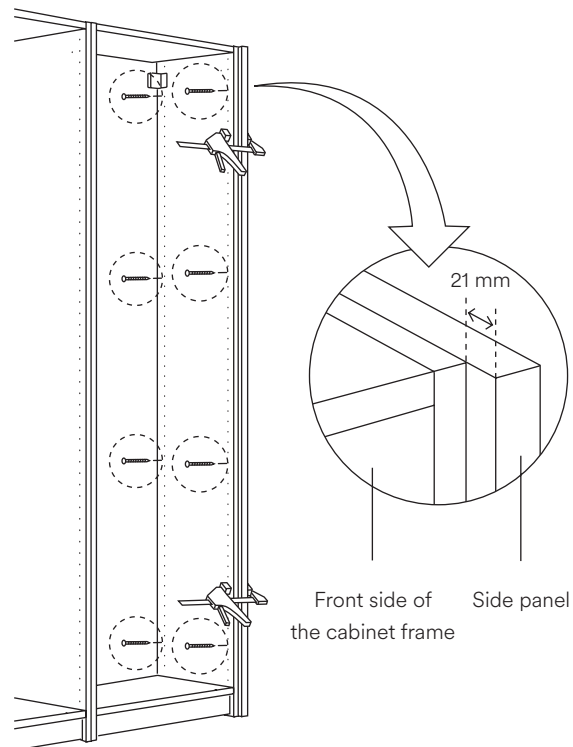
*Please note that the design varies slightly depending on the selected model and the size of your sideboard.*

## Safety

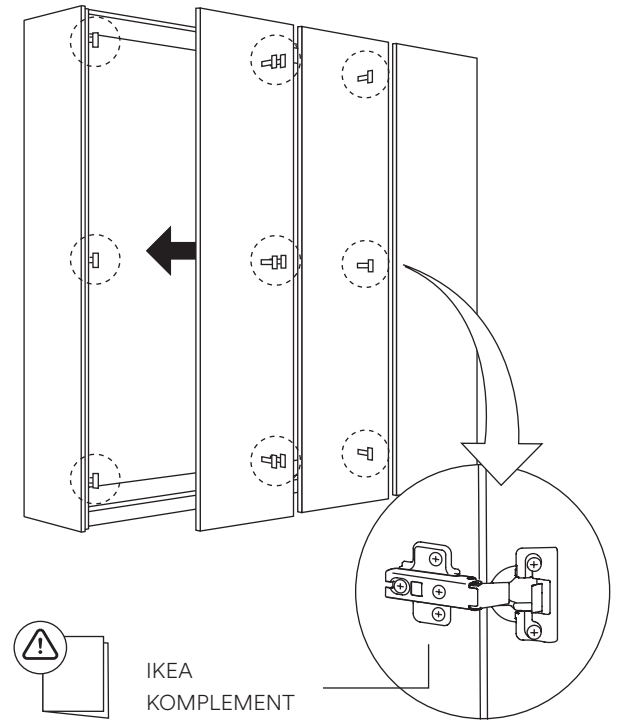
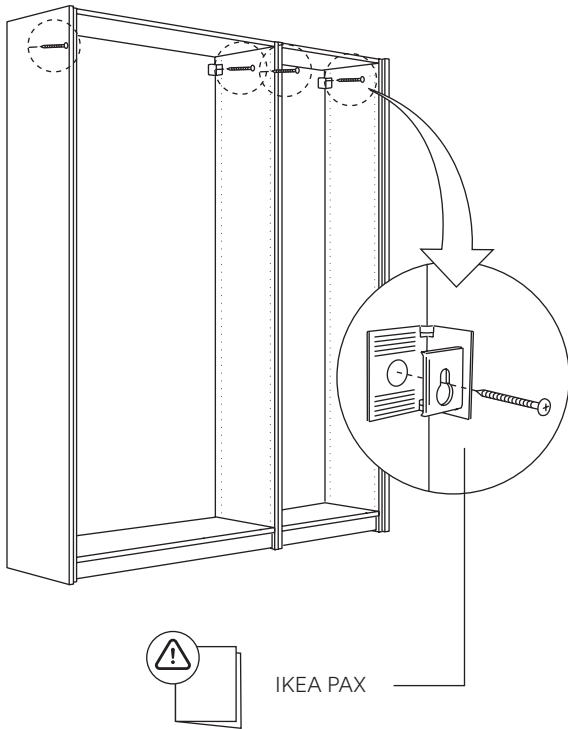
Please always follow the safety instructions that apply to your IKEA products, especially when securing the cabinet to the wall. It's essential as the weight distribution changes when the doors are open. Use the anchor brackets provided with the IKEA cabinets.



1. Attach the IKEA cabinet frames using four screws.

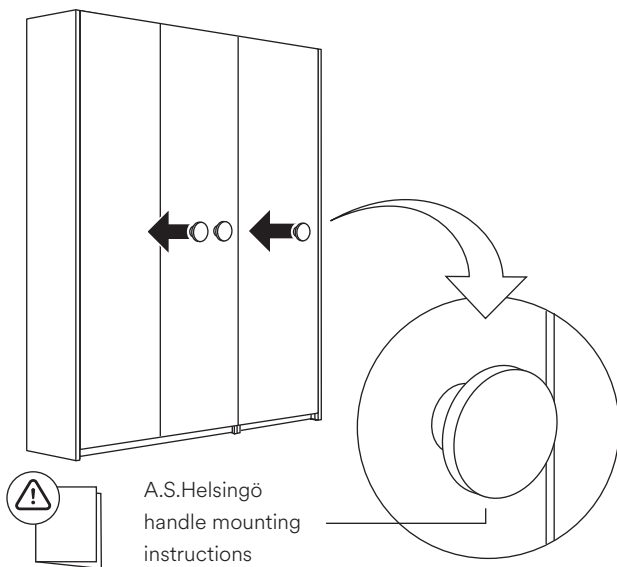


2. Install the side panels. They should stand out of the front of the cabinet frame by 21 mm.



3. Secure the wardrobe to the wall using brackets and mounting screws, according to IKEA's instructions.

4. Install the hinges following IKEA's instructions. Then attach the doors.



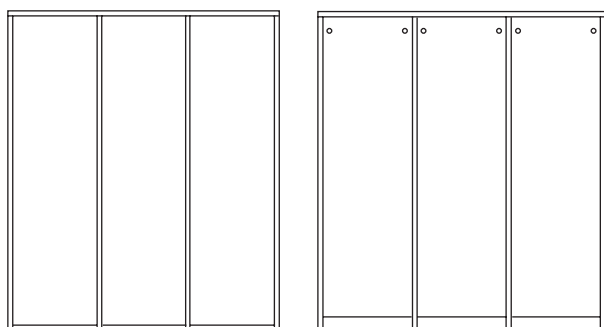
5. Install the handles or push-open handles on your wardrobe following the mounting instructions provided with the handles.

# Style: Spacer Panel

## Contents

Width	100 cm	150 cm	200 cm
Screws (4 x 30 mm)	20	22	22
Screws (4 x 30 mm)	4	8	12
Doors	2	3	4
Side panels	2	2	2
Top panels	1	1	1
Spacer panels	1	2	3

## How it will look



Front view

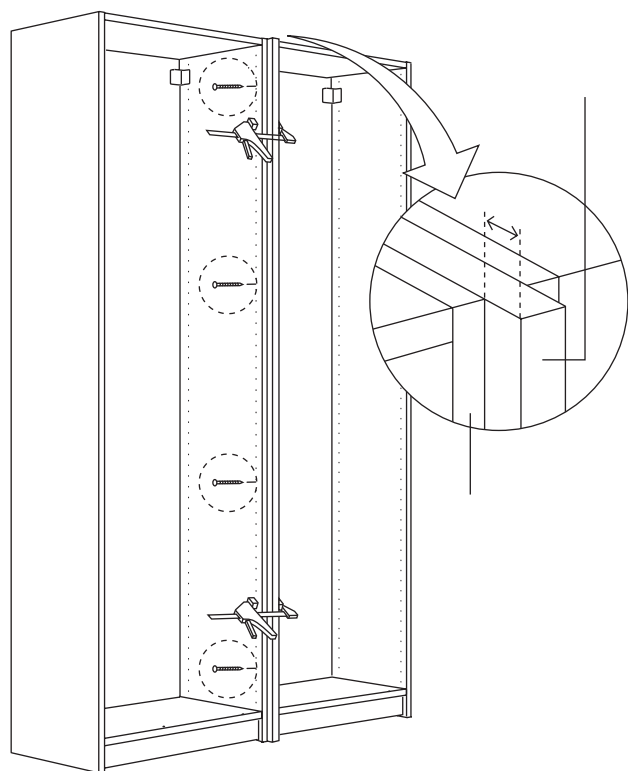
Back view

Please note that the design varies slightly depending on the selected model and the size of your sideboard.

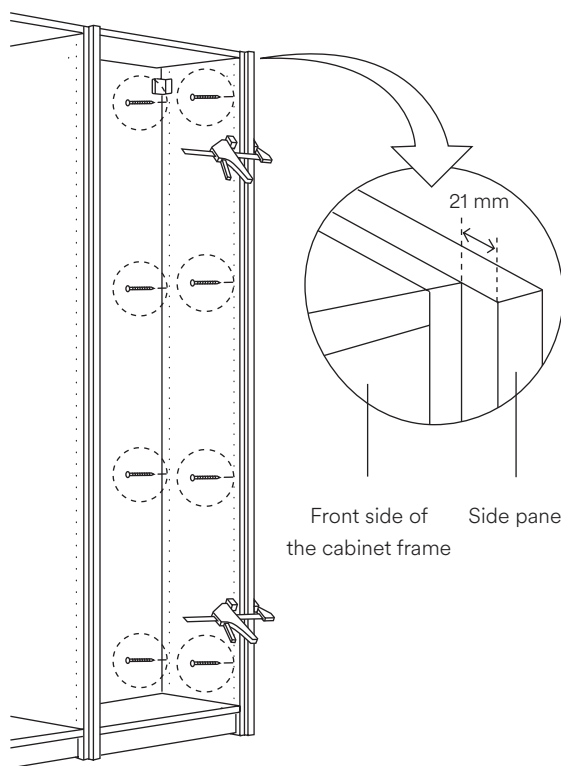
Width	250 cm	300 cm
Screws (4 x 30 mm)	24	24
Screws (4 x 30 mm)	16	20
Doors	5	6
Side panels	2	2
Top panels	2	2
Spacer panels	4	5

## Safety

Please always follow the safety instructions that apply to your IKEA products, especially when securing the cabinet to the wall. It's essential as the weight distribution changes when the doors are open. Use the anchor brackets provided with the IKEA cabinets.

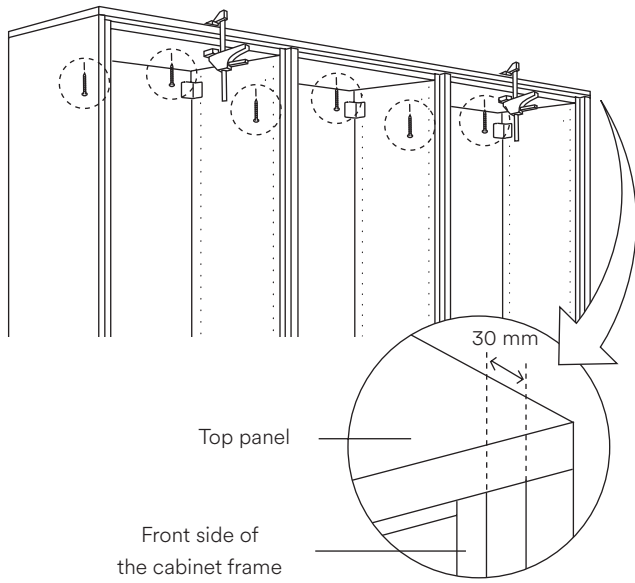


1. Attach the IKEA cabinet frames using four screws (45 mm). Install the spacer panels between the cabinets. They should stand out of the cabinet frame by 30 mm.

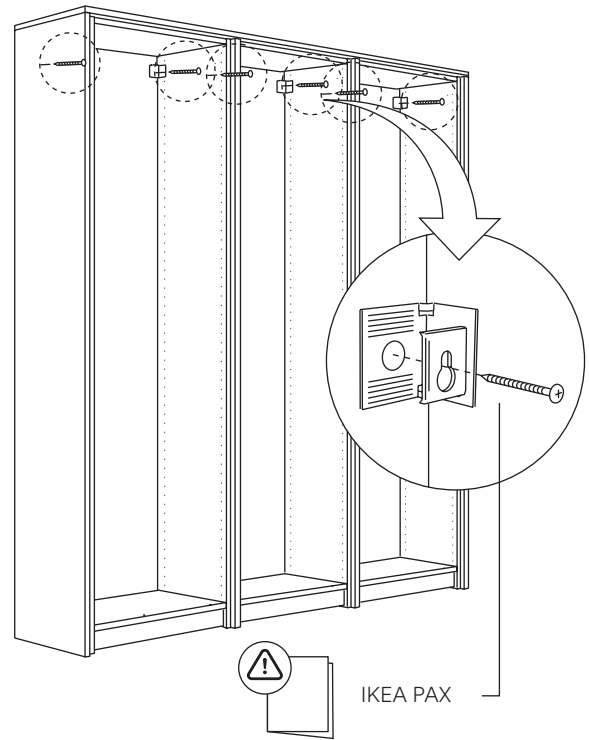


Front side of the cabinet frame      Side panel

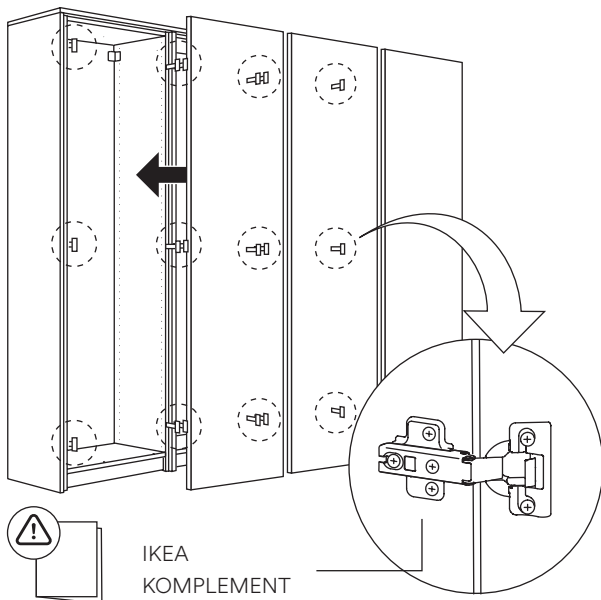
2. Install the side panels. They should stand out of the front of the cabinet frame by 30 mm.



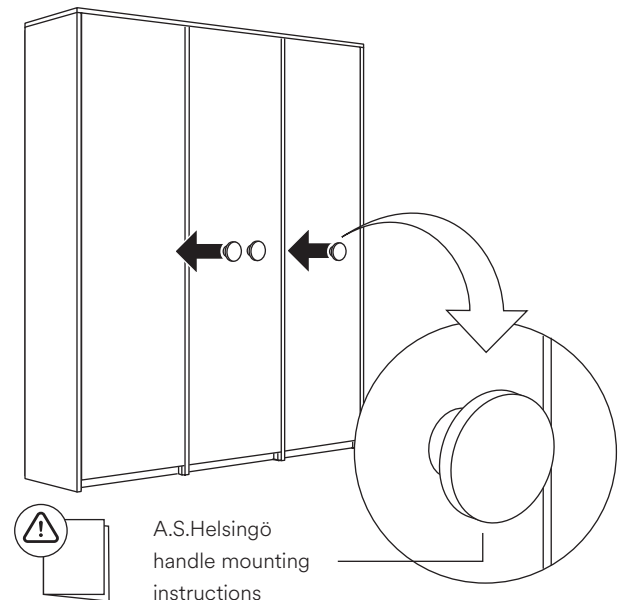
3. Install the top panel. It should stand out of the front of the cabinet frame by 30 mm.



4. Secure the wardrobe to the wall using brackets and mounting screws, according to IKEA's instructions.



5. Install the hinges following IKEA's instructions. Then attach the doors.



6. Install the handles or push-open handles on your wardrobe following the mounting instructions provided with the handles.

We are happy to help! Email or call us for further assistance:

**[info@helsingo.com](mailto:info@helsingo.com) +358 20 718 1510**