

SINCE 1908

Solis

AIRVOLUTION

Type 3804

User manual



CONTENTS

INTENDED USE	3
IMPORTANT SAFETY PRECAUTIONS	3
CONTENTS	7
APPLIANCE DESCRIPTION	8
CONTROL BUTTONS	9
BEFORE FIRST USE	9
INSTALLATION	9
USING THE HAIR DRYER	10
USING THE HAIR-STYLING NOZZLE	10
USING THE MODES	11
SETTING THE CUSTOMISABLE MODE	11
USING THE AUTO CYCLE SETTING	12
LOCKING THE SETTINGS	12
CLEANING AND CARE	12
STORAGE	13
TECHNICAL SPECIFICATIONS	14
TROUBLESHOOTING	15
DISPOSAL	16
GUARANTEE	16
SOLIS CUSTOMER SERVICE	16

▲ INTENDED USE

- This appliance is intended to blow dry and style hair.
- Only use the appliance as described in this manual.
- This appliance is intended to be used in household and similar applications such as:
 - staff kitchen areas in shops, offices and other working environments;
 - farm houses;
 - by clients in hotels, motels and other residential type environments;
 - bed and breakfast type environments and not for commercial use.
- This appliance is intended for indoor use only.
- This appliance is not intended for use by persons (including children) with reduced physical, sensory or mental capabilities or lack of experience and knowledge unless they have been given supervision or instruction concerning use of the appliance by a person responsible for their safety.
- Children under the age of 8 years should not use the appliance.
- Any use of the appliance other than described in this manual is regarded as misuse and may cause injury, damage to the appliance and void the warranty.

▲ IMPORTANT SAFETY PRECAUTIONS

GENERAL SAFETY INSTRUCTIONS

▲ WARNING

- Ensure you have fully read and understood the instructions in this user manual before you install or use the appliance. Keep this document for future reference.
- Do not use the appliance if a part is damaged or defective. Replace a damaged or defective appliance immediately.
- If the power cable or the appliance is damaged, return the whole appliance to Solis or to a service agent authorized by Solis for repair.

SAFETY INSTRUCTIONS REGARDING INSTALLATION

▲ WARNING

- Do not drop the appliance and avoid bumping.

- Keep a minimum safety distance of 20 cm between the appliance and walls, curtains or other materials and objects and make sure that the air around the appliance can circulate freely.
- Before using the appliance, check that the voltage stated on the type plate of your appliance matches your mains voltage.
- Do not operate the appliance with a multiway plug adapter.
- Never use the appliance with an external timer switch or remote control.
- Do not leave the power cable hanging over table edges to prevent the appliance from being pulled down. Make sure that neither the appliance nor the power cord or plug comes into contact with hot surfaces, such as hotplates or a radiator, or that they come into contact with the appliance itself.
- Never place the appliance in such a way that it is at risk of falling into water or coming into contact with water resp. other liquids (e.g. in or near a sink).
- Never reach for an appliance that has fallen into water or other liquids:
 - Always wear dry rubber gloves to unplug the appliance before taking it out of the water.
 - Do not start using the appliance again before having it checked for functionality and safety by Solis or a service center authorized by Solis.
- Fully unwind the power cable before use.

SAFETY INSTRUCTIONS REGARDING USE

▲ WARNING

- Children must be supervised to ensure that they not play with the appliance.
- Only use the appliance with the provided accessories or accessories recommended by Solis. Incorrect accessories or misuse can lead to damage to the appliance.
- Do not cover the air vents when the appliance is in use.
- Unplug the appliance when it is not in use or unattended, and before cleaning.
- Risk of appliance damage! Never let dust, dirt or lint get into the appliance. The appliance may get damaged.
- Make sure the appliance does not get wet (splashes, etc.). Do not use the appliance with wet hands.
- Do not put down the appliance when it is running.
- When using sprays or atomizers, make sure the appliance is out of range.
- Risk of overheating and product damage! Never cover the air in- and outlets of the appliance. The appliance may overheat and get damaged.
- Risk of burns or damage to the appliance! The air outlet gets hot during normal operation:
 - Do not touch the air outlet.
 - Make sure the power cable never comes in contact with the air outlet.
 - Keep the appliance away from children.
- Always unplug the appliance when not in use.

- Caution! Never use the appliance near a bathtub, shower, or other reservoirs filled with water or other liquids (see image A).



A

SAFETY INSTRUCTIONS REGARDING MAINTENANCE

⚠ WARNING

- Unplug the appliance before service and when replacing parts.
- Let the appliance cool down before cleaning.
- Never immerse the appliance in water or other liquids or place it in a dishwasher. In general, the appliance must not come into contact with any liquids.
- Do not use abrasive chemical cleaning agents such as ammonia, acid or acetone when cleaning the appliance. This can damage the appliance.
- Risk of cable breakage! Do not wind the cable tightly around the appliance.
- Risk of electric shock! Switch off and unplug the appliance before cleaning the appliance.
- Do not use any other materials or methods than described in the manual to clean the appliance.

- Repairs to this appliance / including mains cable replacement may only be carried out by authorised service agents. Improper repair work can be a source of danger to appliance users.

▲ CONTENTS

Please check the contents of the package:

1x AIRVOLUTION

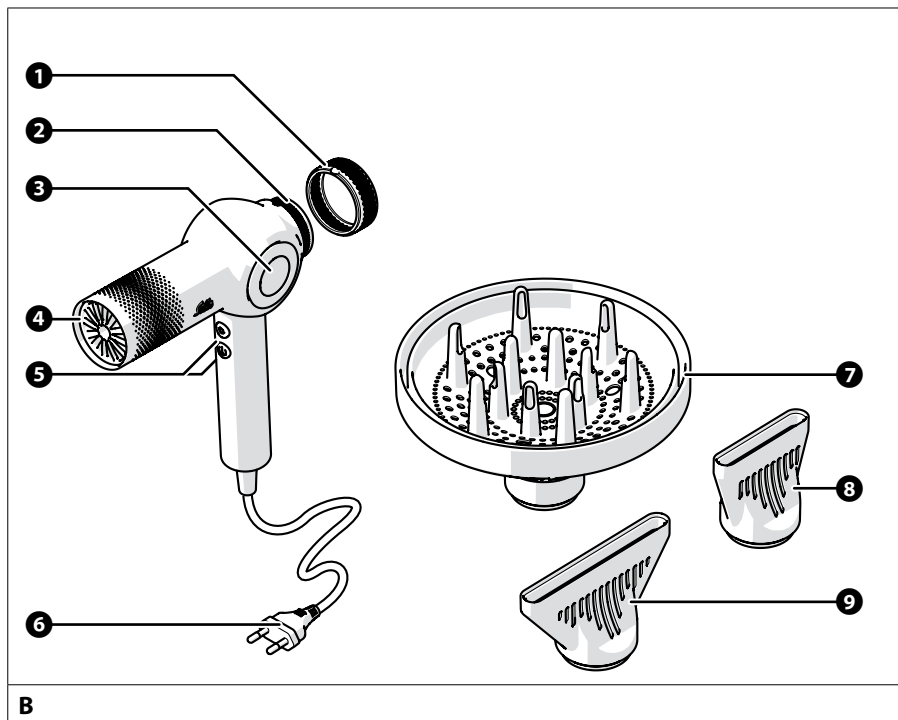
1x Wide hair-styling nozzle

1x Narrow hair-styling nozzle

1x Diffuser

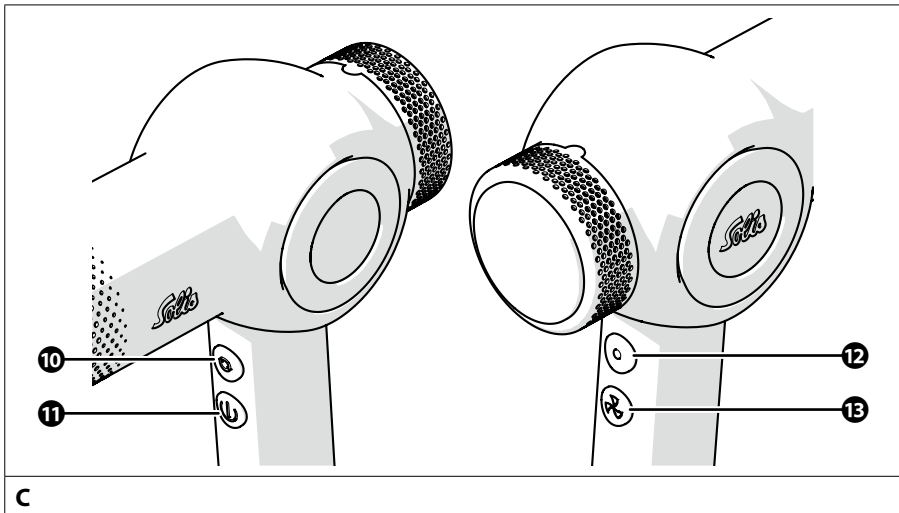
▲ APPLIANCE DESCRIPTION

The AIRVOLUTION is a hairdryer that is used to blow dry and style hair. The accessories can easily be attached to the appliance with a magnetic connector. The appliance has four pre-set modes and one customisable mode which you can use to save your preferred settings. Furthermore does the hairdryer have a negative ion generator, which contributes to keep your hair moisturised and shining.



- | | | | |
|---|-----------------------------------|---|----------------------------|
| 1 | Magnetic air filter cover | 6 | Power cable |
| 2 | Air filter | 7 | Diffuser |
| 3 | Display | 8 | Narrow hair-styling nozzle |
| 4 | Magnetic styling nozzle connector | 9 | Wide hair-styling nozzle |
| 5 | Control buttons | | |

▲ CONTROL BUTTONS



10 Auto cycle / lock button

11 Power / mode button

12 Temperature button

13 Air speed button

▲ BEFORE FIRST USE

To prepare the appliance before first use:

1. Remove all packaging, stickers and labels.

▲ INSTALLATION

i We recommend the installation of a residual current circuit-breaker to provide additional protection when using electrical appliances. It is advisable to use a circuit-breaker with a nominal fault current of maximum 30 mA. Your local electrician can advise you.

To install the appliance:

1. Plug the **power cable** 6 into a power outlet.

The appliance is now ready for use.

▲ USING THE HAIR DRYER

To use the hair dryer:

1. Press and hold the **power / mode button** 11 for one second to switch on the appliance.

i When the product is switched on for the very first time, it starts up in the default customisable mode (45°C and gentle speed). After the first time, the appliance will start at the settings that were used before the appliance was switched off.
2. Press the **temperature button** 12 repeatedly to cycle through the five temperature settings. The display shows the selected temperature in degrees Celsius.
3. Press the **air speed button** 13 repeatedly to cycle through the four air speed settings. The display shows the selected air speed in meters per second.
4. Press and hold the **power / mode button** 11 for one second to switch off the appliance.

▲ USING THE HAIR-STYLING NOZZLE

To use the hair-styling nozzle:

1. Switch off the appliance.
2. Let the appliance cool down.
3. Place one of the **hair-styling nozzles** 8 9 or the **diffuser** 7 onto the front of the appliance.
4. Use the appliance (see chapter *Using the hair dryer*).
5. Let the appliance cool down.
6. Remove the **hair-styling nozzle** 8 9 or **diffuser** 7 from the appliance.

▲ USING THE MODES

To use the modes:

1. Press the **power / mode button** **11** while the appliance is operating, to select one of the five modes. The display shows the selected mode.

Mode	Temperature	Air speed
Customisable mode (shows a heart on the display)	Customisable	Customisable
<i>JUNIOR</i>	45 °C	Gentle
<i>NATURAL</i>	45 °C	Medium
<i>CARE</i>	55 °C	Fast
<i>FAST DRY</i>	65 °C	Extra fast

- i** When the power / mode button is pressed for the first time after the product is switched on, the appliance goes into the customisable mode.

▲ SETTING THE CUSTOMISABLE MODE

To save your own mode:

1. Select the settings you want to save to the customisable mode (see chapter *Using the hair dryer*).
2. Press and hold **temperature button** **12** and the **air speed button** **13** at the same time for three seconds. The settings are saved in the customisable mode and the display shows *PERSONAL MODE SET*.

▲ USING THE AUTO CYCLE SETTING

To use the auto cycle setting:

1. Press and hold the **auto cycle / lock button** ⑩ for one second to activate the auto cycle setting. The display shows *AUTO CYCLE*.

The appliance alternates between a warm airflow (5 seconds) and a cool airflow (2 seconds).

- ① The temperature and air speed can be adjusted while the auto cycle function is activated.

2. Press and hold the **auto cycle / lock button** ⑩ for one second to deactivate the auto cycle setting.

▲ LOCKING THE SETTINGS

To lock the buttons on the appliance:

1. Double press the **auto cycle / lock button** ⑩ to lock the settings of the appliance.

- ① When the appliances is locked the power / mode button also does not function to switch off the appliance.

2. Double press the **auto cycle / lock button** ⑩ to unlock the settings.

▲ CLEANING AND CARE

We recommend cleaning the appliance when the display shows *CLEAN ME* and *PRESS AUTO CYCLE & POWER FOR 3 SECONDS*. To clean the appliance:

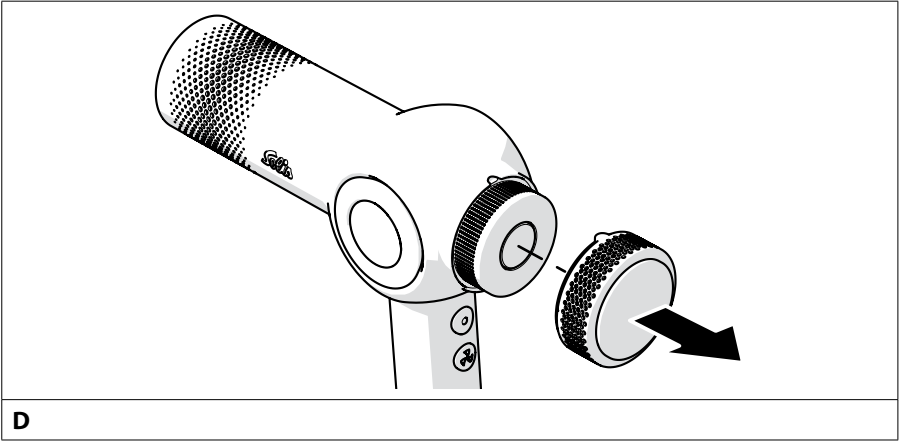
- ① The appliance starts a self-clean program after every 40 hours of use. The display shows *CLEAN ME* and *PRESS AUTO CYCLE & POWER FOR 3 SECONDS*. Press any button to ignore the self-clean program of the appliance. If the self-clean program is ignored, the appliance will show the self-clean program message again at the next start up.

1. Press and hold the **auto cycle / lock button** ⑩ and the **power / mode button** ⑪ at the same time for 3 seconds to start the cleaning process

The appliance will count down from 10. During the count down all the buttons are disabled.

The self-clean program is ready when the display shows *UNPLUG CLEAN FILTERS DONE*.

2. Switch off and unplug the appliance.
3. Let the appliance cool down.
4. Pull and remove the **magnetic air filter cover ①** from the appliance (see image D).



5. Clean the **magnetic air filter cover ①** and the **air filter ②** with a brush, or dry cloth.

i Never use the appliance without the air filter cover attached.

6. Place the **magnetic air filter cover ①** back on the appliance.
7. Clean the appliance with a slightly damp cloth.
8. Dry the appliance with a soft, dry cloth.

▲ STORAGE

Store the appliance in a dry and enclosed space.

▲ TECHNICAL SPECIFICATIONS

Model-No.	Type 3804
Voltage	220–240 V~ / 50 - 60 Hz
Output	1600 W
Dimensions (W × D × H)	5.8 × 16.7 × 22.0 cm
Weight	325 g (without the power cable)
Negative ion concentration	20 million/cm ³
Temperature settings	Cool shot 45 °C 55 °C 65 °C 75 °C
Air speed settings	Gentle Medium Fast Extra fast

Technical changes reserved.

▲ TROUBLESHOOTING

Problem	Possible cause	Solution
The appliance does not function.	The power connection is not working.	Make sure the power cable is connected to a working power source.
	The appliance is not switched on.	Make sure the appliance is switched on.
	The appliance is damaged.	Press any button. If the appliance doesn't switch on, the appliance is damaged. Contact Solis or a Solis authorized service center.
The LCD screen does not light up.	The appliance is damaged.	Contact Solis or a Solis authorized service center.
The appliance has an unusual smell during use.	There is dust, dirt and/or lint inside the appliance.	Clean the appliance (see chapter <i>Cleaning and care</i>). If the unusual smell does not disappear the appliance is damaged. Contact Solis or a Solis authorized service center.
The airflow is weaker than normal.	The air inlet is blocked.	Clean the magnetic air filter cover and the air filter.
The heating element of the appliance becomes red and/or the temperature of the air flow is unusual high.	The appliance is damaged.	Contact Solis or a Solis authorized service center.

▲ DISPOSAL



This marking indicates that this product should not be disposed with other household wastes throughout the EU. To prevent possible harm to the environment or human health from uncontrolled waste disposal, recycle it responsibly to promote the sustainable reuse of material resources. To return your used device, please use the return and collection systems or contact the retailer where the product was purchased. They can take this product for environmental safe recycling.

▲ GUARANTEE

2 year guarantee respectively 5 years warranty with product registration.

i Only valid with a till receipt.

We provide a guarantee for this appliance, if the defect has demonstrably arisen as a result of faults in the material or construction, and has arisen despite proper handling and care. Glass breakage is not covered by the guarantee. The guarantee starts from the date of sale, as noted on the sales receipt, which must be enclosed with the appliance. For commercial use, the guarantee lasts for 12 months. The detailed guarantee conditions are available at www.solis.com.

▲ SOLIS CUSTOMER SERVICE



It is always worth calling us before sending in the article, as malfunctions can often be easily solved by the appropriate tip or trick from our experts. For country specific contact information, scan the QR code, follow the weblink or call us.

SINCE 1908

Solis

Solis of Switzerland Ltd

Solis-House • CH-8152 Glattbrugg-Zurich • Switzerland
www.solis.ch • www.solis.com

Please visit us at

www.solis.com