

INSTRUCTION MANUAL

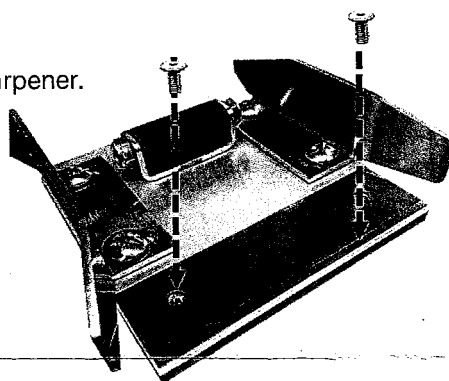
Read this " INSTRUCTION MANUAL" carefully before use.

【Handling Instructions】

- Do not use for purposes other than the intended use of the product.
- Be careful not to cut your hands or fingers when using
- During sharpening, excessive force may damage the sharpener or grindstone.
- Wipe off the water after use.
- Cannot be used for the blades before July 2023.
- Sharpen up to 4 times per a sharpening blade.
 - ※ Depending on the state of the cutting edge
 - ※ Sharpening reduces the overlap width of the blade, increases the distance from the presser foot.
 - ※ Depending on the leather, skiving state may change.
- When there is a large chip on the blade, cannot be sharpened.
- If you store the sharpening blade fixing screw in a tightened state, may stick.
- Cannot be used for high grade blades.
- Recommended Grindstone : KING S-1, granularity : #6000, size : 210×73×22mm

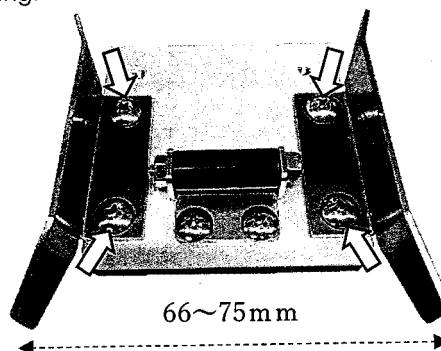
【 How to use】

- ① Attach the blade using the hex wrench that came with the sharpener.
Remove the two screws with hex wrench.
After setting the blade, tighten the screw again to fix it.
※ Over-tightening may damage the screw holes.



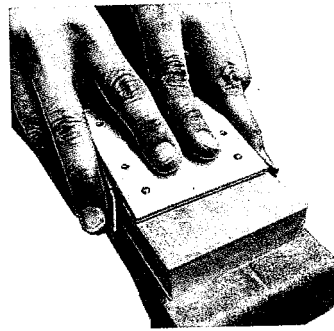
- ② Prepare the grindstone.
※ Check the instruction manual for the grindstone you are using.

- ③ Adjust the guide to fit the width of the grindstone
Adjust the left and right width with a Phillips screwdriver.
(Guide expansion width: 66mm ~ 75mm)



- ④ Slide back and forth about 10 to 15 times along the guide.

Set the sharpener on the grindstone and start sharpening.
*The strength is just enough to lightly press the sharpener.



- ⑤ Adjust the rollers (If the blade is not sharpened)

Loosen the screws with a Phillips screwdriver,
adjust roller position.

Front of roller : obtuse angle

Back of roller : acute angle

Obtuse angle:

Durability UP and sharpness DOWN compared to acute angle.

Acute angle:

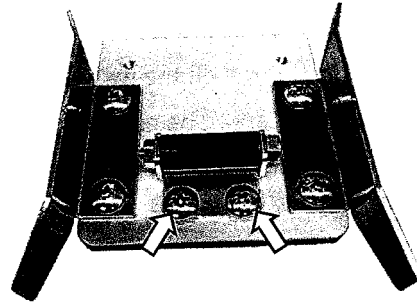
Durability DOWN and sharpness UP compared to obtuse angle.

*The initial setting position is set to a position that balances sharpening durability.

Front



Back



- ⑥ Turn the blade over and back and forth the same number of times.
Remove the blade in step ① and turn it over.
Repeat step ④ the same number of times as the first time.
- ⑦ Remove the blade from the sharpener, use after wiping off water.
Blade may rust if wet.

Click here for video instructions →

