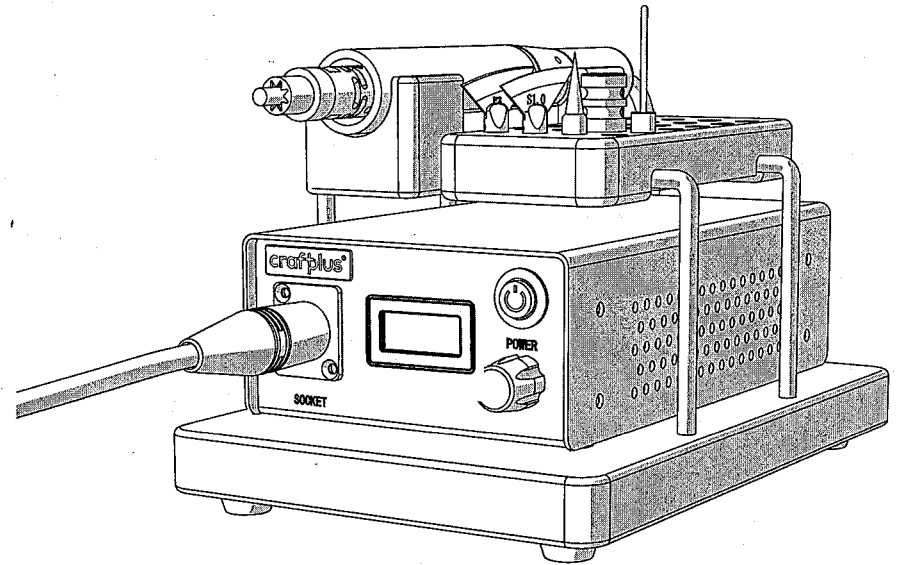


crafterplus®



EDGE CREASER OPERATOR'S MANUAL

數顯燙邊機操作說明書

ITEM NUMBER: 3978-00

THANK YOU FOR BUYING THE CRAFTPLUS® EDGE CREASER

謝謝您購買革工佳®數顯燙邊機

Your Edge Creaser has been engineered and manufactured to Craftplus® high standards for dependability, ease of operation, and operator safety. Properly cared for, it will give you years of rugged, trouble-free performance. This manual contains operating and safety information.

Be sure to follow the precautions described and keep this manual for future reference.

革工佳®全系列產品品質皆經過高標準且嚴格的測試，確保其設計的可靠性，產品的堅固耐用性、操作的簡易性及安全性。適當的使用及照顧您的數顯燙邊機，能讓機器享有多年的使用壽命。本說明書包含操作指示、安全注意事項、警告等相關資訊，請務必遵守說明書中記載的事項，並妥善保存以供日後參考。

GENERAL DESCRIPTION

The Craftplus® Edge Creaser ("Machine") is designed for creasing edge, smooth edge paint, melting wax, burning thread, foil debossing on a wide range of leather with the use of heat. Fast heating speed with intuitive LED temperature display. Automatic standby and shutdown power saving safety features. Ergonomic handle grip that's comfortable to use. Various tip attachments can achieve professional edge details easily and quickly. The machine is lightweight, compact and easy to use, ideal for small scale production as well as repair shops and home workshops.

LIABILITY STATEMENT


By purchasing this product, the purchaser assumes all liability resulting from unsafe operation or improper use. Ivan Leathercraft Co., LTD, shall not be liable for personal injury resulting from the use of this machine under any circumstances. We strongly advise against modify and/ or use this product for any other application other than that for which it was designed.

All information in this manual is subject to change without notice. Ivan Leathercraft Co., LTD reserves the right to make changes and improvements to the product without incurring any obligation to incorporate such improvements in products previously sold.

SAFETY RULES

Safe operation of this machine and accessories requires that you read and understand this operator's manual. Safety is a combination of common sense, staying alert, and knowing how your Edge Creaser works.



- Know your tool. Read the instruction manual carefully. Learn the applications and limitations as well as specific potential hazards related to this product.
- **CHOKING HAZARD:** SmallParts
- Do not operate machinery under the influence of drugs, alcohol, any medication or feeling fatigue.
- Keep children and visitors away.
- Only use Craftplus® accessories designed for the machine. Improper accessories may cause risk of fire, injury or death.
- Keep the work area clean and well lit.
- Use heat proof or resistant gloves.
- Always practice proper posture to reduce fatigue, help prevent accidents and increase efficiency.

 **BURN HAZARD:** Use extreme caution when handling the metal components. Tips get extremely hot and will burn.

- Remove tip only when cool.
- Never carry machine by the cord or yank the plug off the socket.
- Fire risk: Never leave the machine running unattended.
- Guard against electric shock by prevent body contact with grounded surfaces such as pipes, radiators, ranges and conductive surfaces.
- Turn off power, unplug power cord when not in use, change attachments or service.
- Never operate near gasoline or other flammable liquids / substances, or in damp/ wet locations or outdoor.
- Use proper extension cord suggested, inspect periodically and replace if damaged.
- Do not let unauthorized, unqualified or untrained people use equipment.




SAFETY SYMBOLS


The purpose of safety symbols is to attract your attention to possible dangers. The safety symbols, and the explanations with them, deserve your careful attention and understanding. The safety warnings do not by themselves eliminate any danger. The instructions or warnings they give are not substitutes for proper accident prevention measures.


SYMBOL	MEANING
	SAFETY ALERT: Indicates danger, warning, or caution. May be used in conjunction with other symbols or pictographs.
	DANGER/ WARNING/ CAUTION: Failure to follow a safety warning will result in serious injury to yourself or to others. Always follow the safety precautions to reduce the risk of personal injury.

ELECTRICAL CONNECTION

This product is available in US, UK, EU and AU models. Please check your power source prior to using the machine. Do not operate the machine on direct current (DC).

Model	Power	Plug	Countries
US	110V AC 60HZ		US, TAIWAN, JAPAN, CANADA, BRAZIL & OTHERS
AU	230V AC 50HZ		AUSTRALIA, NEW ZELAND & OTHERS
UK	220/240V AC 50HZ		UK, HONG KONG, MACAU, SINGAPORE, MALAYSIA, INDONESIA & OTHERS
EU	220/240V AC 50HZ		FRANCE, GERMANY, ITALY, SPAIN & OTHERS

 **CAUTION:** Keep the cord away from the work area and position the cord so that it will not be caught on materials, tools or other objects.

 Do not expose to rain or use in damp locations.

EXTENSION CORDS

Use only 3-wire extension cords that have 3-prong grounding plugs and 3-pole receptacles that accept the tool's plug. When using a power tool at a considerable distance from the power source, use an extension cord heavy enough to carry the current that the tool will draw. An undersized extension cord will cause a drop in line voltage, resulting in a loss of power. Use the chart provided below to determine the minimum wire size required in an extension cord.

Length of Extension Cord	Wire Size (A.W.G.)
Up to 25 feet	16
26-50 feet	16
51-100 feet	16

GROUNDING INSTRUCTIONS

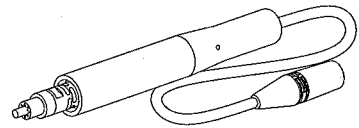
In the event of a malfunction or breakdown, grounding provides a path of least resistance for electric current to reduce the risk of electric shock. This machine is equipped with an electric cord having an equipment-grounding conductor and a grounding plug. The plug must be plugged into a matching outlet that is properly installed and grounded in accordance with all local codes and ordinances.

Do not modify the plug provided. If it will not fit the outlet, have the proper outlet installed by a qualified electrician. Improper connection of the equipment-grounding conductor can result in electrical shock. The conductor with insulation having an outer surface that is green with or without yellow stripes is the equipment-grounding conductor. If repair or replacement of the electric cord or plug is necessary, do not connect the equipment-grounding conductor to a live terminal. Check with a qualified electrician or service personnel if the grounding instructions are not completely understood, or if in doubt as to whether the tool is properly grounded. Repair or replace a damaged or worn cord immediately.

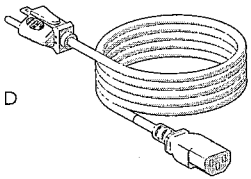
COMPONENTS

Fig.1

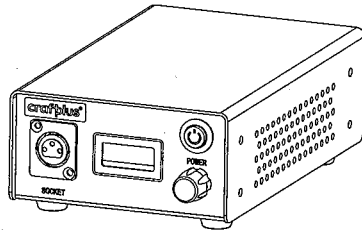
- A. Controller
- B. Handle
- C. Wood Stand
- D. Power Cord
- E. F 2.0 Tip
- F. S1.0 Tip
- G. Thread Burner
- H. Dual Groove Burnisher
- I. Watch Strap Burnisher
- J. Allen Wrench
- K. Wood Dowel Mount



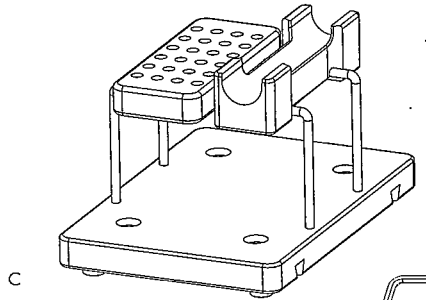
B



D



A



C

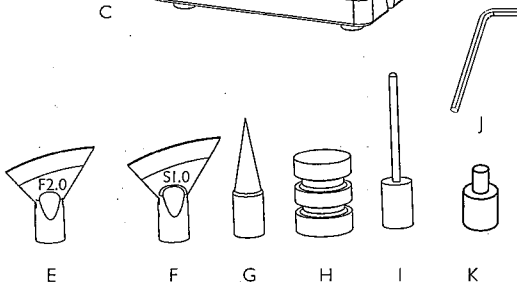


Fig.1

INSTALLATION

- Carefully remove all parts from the packaging.
- Lift the product from the carton and place it on a level work surface.
- Assemble stands as shown in Fig 2 and Fig 3.
- Do not discard the packing materials until you have carefully inspected the machine, identified all loose parts, and satisfactorily operated your machine.
- Plug in power cord into the rear of the machine.
- Plug in handle cord to the front of the machine.

⚠ WARNING: Tip surfaces get extremely HOT. Handle with extreme caution.

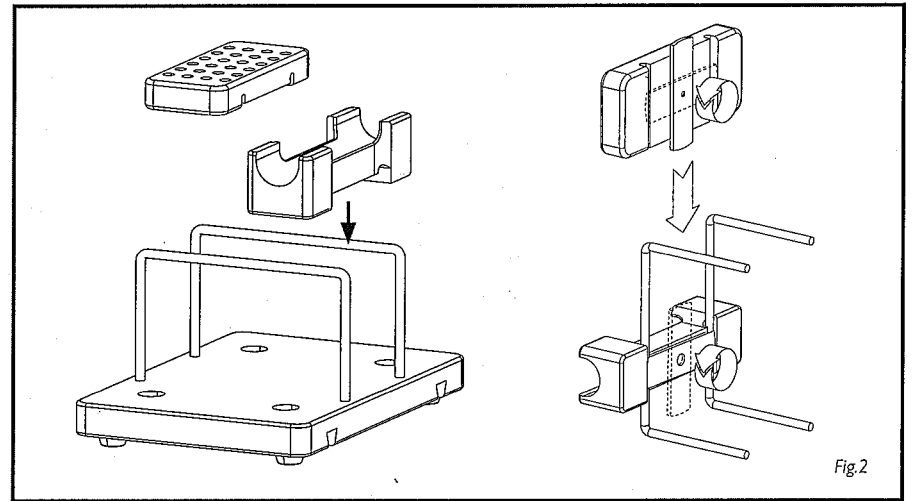


Fig.2

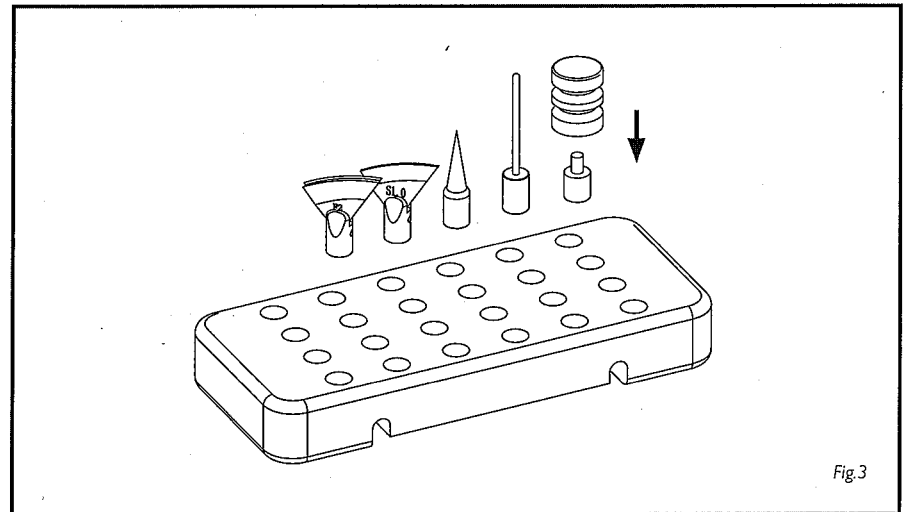


Fig.3

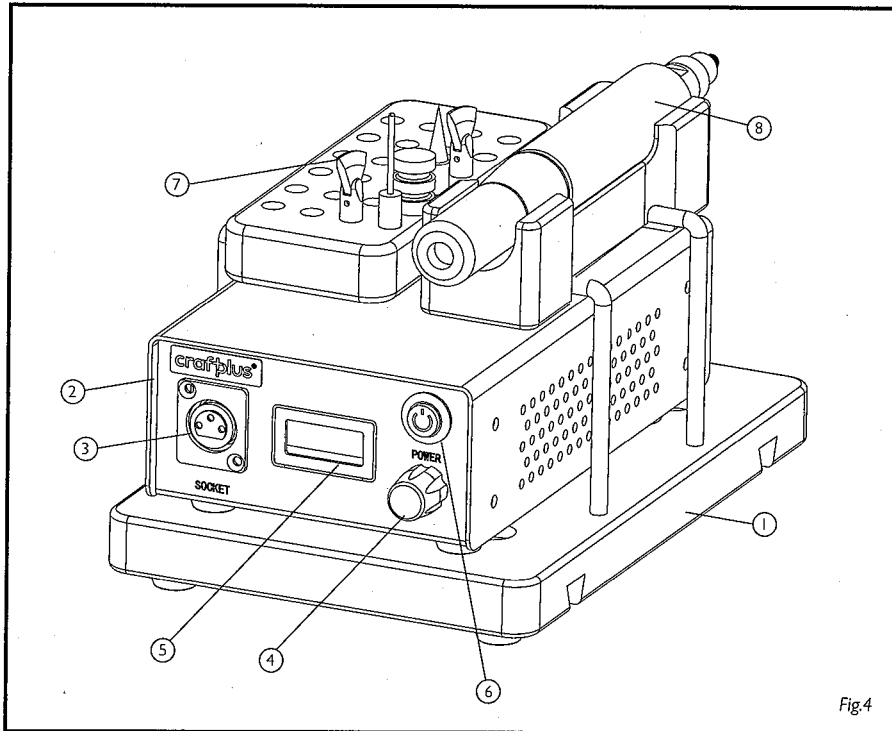


Fig. 4

FEATURES

Fig. 4

1. Wood Stand: Beautifully crafted wood storage stand for controller, handle and tips.
2. Controller: Electronic heat control and smart safety functions.
3. Handle Input Socket : Easy plugin for handle cord. (Note: Cord not shown)
4. Temperature Dial: Adjusts tip temperature from 0- 350 °C. Press to access menu settings.
5. Display: Digital temperature reading and menu settings.
6. Power Switch: On/Off setting.
7. Tips: Five interchangeable tips for creating professional details and finishing.
8. Handle: Large working handle for ease of control and precision.

OPERATION

- The machine has built in automatic sleep and shut down features for safe operation. See menu settings below for details.
- To start, screw the desired tip on the head of the handle. Fig 5.
- Plug in the machine and handle, then push the power switch on. The switch button must be pushed all the way in and stay lit (red). The display will show set temperature reading.

⚠ CAUTION: The machine can burn you make sure the handle with the heated tip is facing toward the back of the machine. Never place the handle with heated tip facing you.

- Turn temperature dial and set desired temperature. The temperature reading shows the tip temperature.
- Heating speed: The tip can reach desired temperature within 25-60 seconds and does not require long heat up times.

- Hold handle with the work tip facing down on leather. Apply light but even pressure as you move the tool.
- Test your tip on the same scrap leather as the finished work piece before proceeding. Adjust tempature if need be to achieve desired results.
- Turn off power and unplug the machine when project is complete or machine not in use.
- To remove tip insert Allen wrench into hole and turn counter clockwise. Please handle all components after the tool is completely cool. Fig 6.

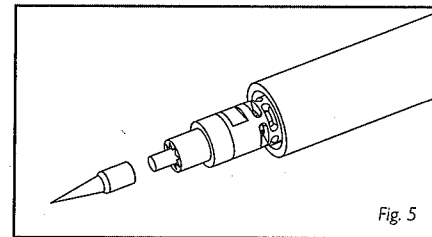


Fig. 5

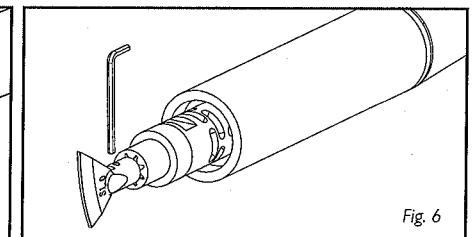


Fig. 6

MENU SETTINGS

- To access menu settings long press the temperature dial and let go. Display will show "H01", rotate the dial to go through H01 to H14 menu as shown below. Press dial again to enter a sub menu. Rotate dial to adjust menu function setting. Exit sub menu by pressing the dial. Exit out of menu setting completely, long press the dial and let go.
- Your machine is fully configured, there is no need to adjust menu functions to use the machine. This is just for reference purposes and further customization.
- Reset factory default: Press and hold temperature dial for 8 seconds till the display shows "OFF". This will reset all settings to original factory defaults.

- | | |
|-----------|--|
| H01 | 1. Temperature increments: Default 10 °C increments. |
| H02 | 2. Sleep time: Default 15 minutes. Recommended setting is 10 minutes. You can adjust this time to you preference.. |
| H03 | 3. Detection frequency: Default 15 seconds. |
| H04 | 4. Shut down time: Default 15 minutes. This setting determines the length of time after the machine is in sleep mode before it completely shuts off. |
| H05 | 5. Sleep temperature: Default 200 °C. When the machine is in sleep mode it throttles down to the temperature in this setting. |
| H06 | 6. Calibration Setting: Do not change default setting. |
| H07 | 7. Vibration sensitivity: Default 000. Do not change. |
| H08 | 8. Encoder: Default setting 00. Do not change. |
| H09 | 9. Brightness adjustment: Default setting is 9. Maximum is 10. |
| H10 ~ H14 | 10. Segmented calibration value: Between 0 °C to 600 °C, and the corresponding temperature can be adjusted higher or lower. |

GENERAL TEMPERATURE SETTING GUIDELINES

The temperature setting is between 0 -350 °C. Rotate dial clockwise to increase or counter-clockwise to decrease temperature.

The type of leather will effect creasing results. If the temperature is too high, the leather will burn, if it is too low the crease quality will be effected. The table below is a recommended temperature setting for different techniques. Always test on scrap before proceeding on your work piece.

TECHNIQUES	MATERIAL	TEMPERATURE
Creasing edge	Veg tanned leather	100-150 °C
	Chrome tanned leather	100-150 °C
Debossing	Veg tanned leather	100-150 °C
	Chrome tanned leather	100-150 °C
Thread burning		~250 °C
Melting wax		~85 °C
Gold foil		~125 °C
Smooth edge paint		See edge paint manufacturer's recommendation

MAINTENANCE

- Inspect the machine periodically and replace any worn or broken parts.
- Check electrical connections.
- Heated parts can damage electrical connections such as cords if touched. Please use caution.



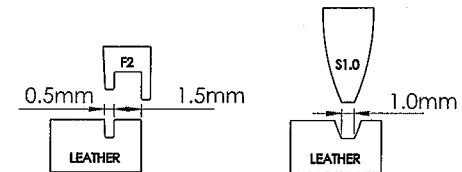
WARNING: Only use Craftplus® accessories designed for the edge creaser. Improper accessories may cause risk of injury, fire and/or property damage.

- Keep the machine clean and dry.
- Be sure to clean all the heads after use. Periodically polish work tips and remove any build up. Ivan Polish Compound 3324-03 is recommended to restore polish.
- Heating element can be changed if machine fails to heat. For further details please contact us for support.
- Do not take the machine apart or service any part of the parts not written in this manual.
- Unplug the machine before servicing.

TIP TYPES

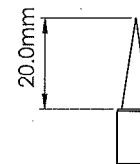
1. **F2.0 TIP**
The F2.0 (1.5mm border 0.5mm groove) tip has a built in edge guide that can follow the contour of leather and make beautiful creases.
2. **S1.0 TIP**
The S1.0 (1mm) tip is designed for free hand creasing without the use of edge guide. Also great for making gold foil creases for bookbinding or used as a "spatula" to finish wax on leather edges.
3. **THREAD BURNER**
This burner can remove and finish nylon threads in second.
4. **DUAL GROOVE BURNISHER**
The groove burnisher features 3mm and 4mm grooves for different leather thickness. This is a fast way to smooth leather edges for professional look and feel.
5. **WATCH STRAP BURNISHER**
The watch strap burnisher is used to burnish and finish the inside of your watch straps where the links and buckles connects. The heat burnishing smooths out the back of the leather and allows the buckles and links to rotate smoothly.

INCLUDED TIPS:

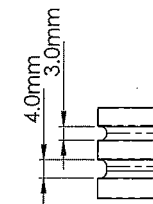


1. F2.0 TIP

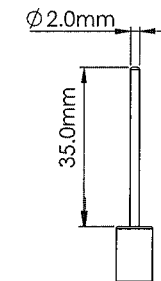
2. S1.0 TIP



3. THREAD BURNER



4. DUAL GROOVE BURNISHER



5. WATCH STRAP BURNISHER