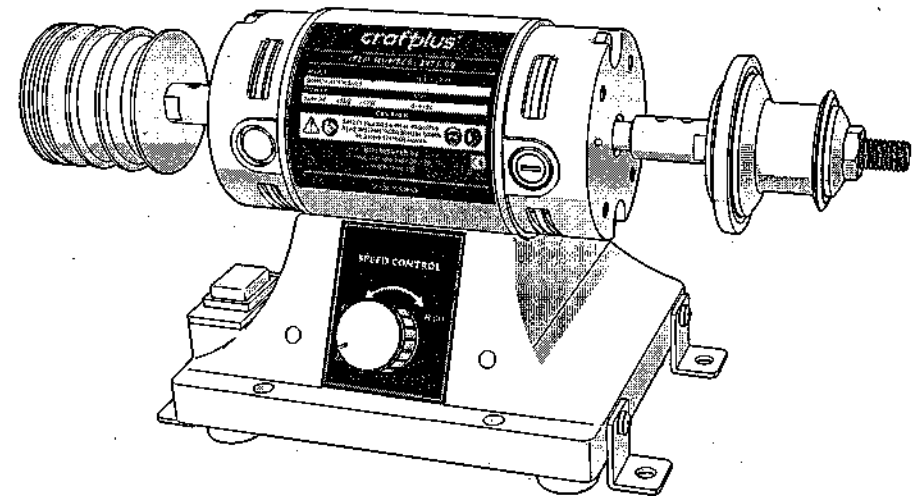


craftplus®



BENCH BURNISHER OPERATOR'S MANUAL 拋光機操作說明書

ITEM NUMBER: 3972-00

THANK YOU FOR BUYING THE CRAFTPLUS® BENCH BURNISHER
謝謝您購買華工佳®拋光機

Your Bench Burnisher has been engineered and manufactured to Craftplus® high standards for dependability, ease of operation, and operator safety. Properly cared for, it will give you years of rugged, trouble-free performance. This manual contains operating and safety information. Be sure to follow the precautions described and keep this manual for future reference.

華工佳®全系列產品品質皆經過高標準且嚴格的測試，確保其設計的可靠性、產品的堅固耐用性、操作的簡易性及安全性。適當的使用及照顧您的拋光機，能讓機器享有多年的使用壽命。本說明書包含操作指示、安全注意事項、警告等相關資訊，請務必遵守說明書中記載的事項，並妥善保存以供日後參考。

GENERAL DESCRIPTION

The Craftplus® Bench Burnisher ("Burnisher") is designed for sanding, slicking leather and honing leather working tools. It's small foot print, durability and ease of use is suited for small scale production as well as repair shops and home workshops.

LIABILITY STATEMENT


By purchasing this product, the purchaser assumes all liability resulting from unsafe operation or improper use. Ivan Leathercraft Co., LTD, shall not be liable for personal injury resulting from the use of this machine under any circumstances. We strongly advice against modify and/ or use this product for any other application other than that for which it was designed.

All information in this manual is subject to change without notice. Ivan Leathercraft Co., LTD reserves the right to make changes and improvements to the product without incurring any obligation to incorporate such improvements in products previously sold.

SAFETY RULES

Safe operation of this power tool and accessories requires that you read and understand this operator's manual. Safety is a combination of common sense, staying alert, and knowing how your bench burnisher works.



- Know your tool. Read the instruction manual carefully. Learn the applications and limitations as well as specific potential hazards related to this product.
- Do not operate machinery under the influence of drugs, alcohol, any medication or feeling fatigue.
- The product must be bolted to a stationary surface that is also affixed to the floor.
- Stay alert and exercise control. Watch what you are doing and use common sense.
- Work in a well ventilated area. Keep the work area clean and well lit.
- Keep children and visitors away. All visitors should wear safety glasses and be kept a safe distance from work area.
- Never operate near gasoline or other flammable liquids, or in damp/ wet locations or outdoor.
- Don't force or overload the machine. It will do the job better and safer at the rate for which it was designed.
- Do not force the machine or attachment to do a job for which it was not designed.
- Only use Craftplus® accessories designed for the bench burnisher. Improper accessories may cause risk of injury.
- Guard against electric shock by prevent body contact with grounded surfaces such as pipes, radiators, ranges, conductive surfaces.
- Use proper extension cord suggested, inspect periodically and replace if damaged.
- Dress properly. Do not wear loose clothing or jewellery. Keep hair, clothing away from moving parts.
- Wear safety glasses. Everyday glasses have only impact resistant lenses; they are not safety glasses. Dust mask required, non-slip footwear is recommended. Keep proper footing and balance at all times.
- Hearing protection recommended during extended period of operations.
- Never operate the machine in awkward positions to avoid injury.
- Never use gloves when operating the machine.
- Parts can get very hot during use. Stay clear of hot parts.
- Never carry machine by the cord or yank the plug off the socket.
- Never leave machine unattended when it is running.
- Turn off power; unplug power cord when not in use, change attachments or servicing.
- Be aware of wheel direction. Never stand or reach for any object that is in or near the path of the wheel. Never use multiple work piece on the machine at a time.

 **WARNING: Wheel coasts after turned off, never touch any moving parts.**

- Do not let unauthorized, unqualified or untrained people use equipment.

SAFETY SYMBOLS


The purpose of safety symbols is to attract your attention to possible danger. The safety symbols, and the explanations with them, deserve your careful attention and understanding. The safety warnings do not by themselves eliminate any danger. The instructions or warnings they give are not substitutes for proper accident prevention measures.

SYMBOL	MEANING
	SAFETY ALERT: Indicates danger, warning, or caution. May be used in conjunction with other symbols or pictographs.
	DANGER/ WARNING/ CAUTION: Failure to follow a safety warning will result in serious injury to yourself or to others. Always follow the safety percussions to reduce the risk of personal injury.

ELECTRICAL CONNECTION

This product is available in US, UK, EU & AU models, and each uses different power supply. Please check your power source prior to using the machine, and do not operate the machine on direct current (DC).

Model	Power	Plug	Countries
US	110V AC 60HZ		US, TAIWAN, JAPAN, CANADA, BRAZIL & OTHERS
AU	230V AC 50HZ		AUSTRALIA, NEW ZELAND & OTHERS
UK	220/240V AC 50HZ		UK, HONG KONG, MACAU, SINGAPORE, MALAYSIA, INDONESIA & OTHERS
EU	220/240V AC 50HZ		FRANCE, GERMANY, ITALY, SPAIN & OTHERS

 **CAUTION: Keep the cord away from the work area and position the cord so that it will not be caught on materials, tools or other objects.**

 **Do not expose to rain or use in damp locations.**

EXTENSION CORDS

Use only 3-wire extension cords that have 3-prong grounding plugs and 3-pole receptacles that accept the tool's plug. When using a power tool at a considerable distance from the power source, use an extension cord heavy enough to carry the current that the tool will draw. An undersized extension cord will cause a drop in line voltage, resulting in a loss of power and causing the motor to overheat. Use the chart provided below to determine the minimum wire size required in an extension cord. Only round jacketed cords listed by Underwriter's Laboratories (UL) should be used.

Length of Extension Cord	Wire Size (A.W.G.)
Up to 25 feet	16
26-50 feet	16
51-100 feet	16

GROUNDING INSTRUCTIONS

In the event of a malfunction or breakdown, grounding provides a path of least resistance for electric current to reduce the risk of electric shock. This machine is equipped with an electric cord having an equipment-grounding conductor and a grounding plug. The plug must be plugged into a matching outlet that is properly installed and grounded in accordance with all local codes and ordinances.

Do not modify the plug provided. If it will not fit the outlet, have the proper outlet installed by a qualified electrician. Improper connection of the equipment-grounding conductor can result in electrical shock. The conductor with insulation having an outer surface that is green with or without yellow stripes is the equipment-grounding conductor. If repair or replacement of the electric cord or plug is necessary, do not connect the equipment-grounding conductor to a live terminal. Check with a qualified electrician or service personnel if the grounding instructions are not completely understood, or if in doubt as to whether the tool is properly grounded. Repair or replace a damaged or worn cord immediately.

COMPONENTS

Fig. 1

- A. Bench Burnisher With 10mm Diameter Shaft
- B. Wooden Slicker
- C. Honing Clamp (3 Pieces)
- D. Sanding Drum
- E. Sanding Sleeve (2 Pieces - 120/ 80 Grit)
- F. Leather Disc (2 Pieces - Small/ Large)
- G. Replacement Carbon Brush (2 Pieces)
- H. Wrenches (2 Pieces)
- I. Threaded Spindle (2 Pieces)
- J. Nut (2 Pieces)
- K. Allen Wrench
- L. Sand Paper (80 Grit)

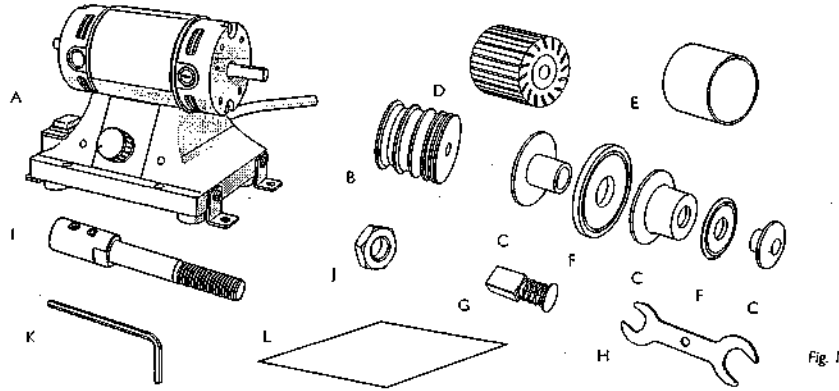


Fig. 1

TOOLS NEEDED

The following tools (not included) are needed for assembly and alignment:

- Phillips Head Screw Driver
- Mounting Hardware

ASSEMBLY

- Carefully remove all parts from the packaging.
- Lift the product from the carton and place it on a level work surface.
- Do not discard the packing materials until you have carefully inspected the machine, identified all loose parts, and satisfactorily operated your bench burnisher.
- Examine all parts to make sure no breakage or damage has occurred during shipping. If all parts have been included, proceed to assembly. If any parts are missing do not operate this machine until the missing parts are replaced.
- Fasten the machine to the work bench, and tighten screws securely (screws not included). Fig. 2

⚠ WARNING: Never operate the machine without it being properly attached to a suitable work surface. Failure to do so can result in serious injury.

- The machine comes preassembled with the leather honing wheel and wooden slicker attachments. Make sure the set screws on the threaded spindle are tightened to the motor shaft. Fig. 3

⚠ WARNING: Always spin the wheel by hand to check the spindle is aligned properly before switch on the power.

⚠ WARNING: Do not use any accessory that is not rated for 8,000 RPM.

⚠ CAUTION: Use only extension cords with approved ground connection.

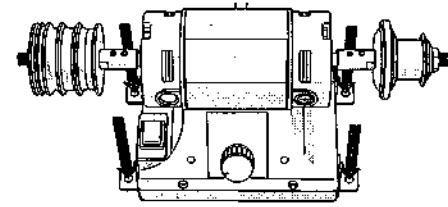


Fig. 2

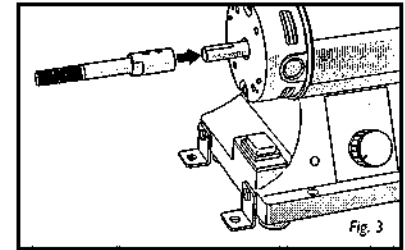


Fig. 3

FEATURES

Fig. 4

1. On/Off Switch: Your bench burnisher features a side access On/Off switch for convenience and safety.
2. On/Off Light (Red): The On/Off light will illuminate when the switch is on.
3. Speed Control: Various speed control. Turn the dial left to right to adjust the turning speed.
4. Speed Light (Blue): The speed light will illuminate when the speed dial is engaged.
5. Slicker Wheel: For burnishing leather edges.
6. Honing Wheel: Small and large leather honing wheels for tool sharpening and honing.

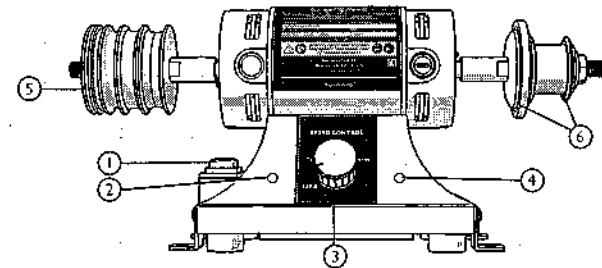


Fig. 4

OPERATION

⚠ WARNING: Do not operate this machine until you have read and understand all instructions and safety rules. Failure to comply can result in accidents involving fire, electric shock or serious injury. Save this instruction manual and review frequently for continuing safe operation.

- The On/Off light will illuminate when the switch is on. Be sure the speed control is in the off position before starting the machine.
- Turn the speed control dial clockwise to turn on the motor and adjust its speed.
- Use light pressure to ease your work piece into the wheel.
- Never start the machine with your work piece on the equipment.

⚠ WARNING: Do not use wheels with incorrect size holes on the threaded spindle. Never use wheel washers or screws that are defective or incorrect. Do not over tighten the wheel nut.

- Always turn the speed dial to zero before shutting off the On/Off switch.

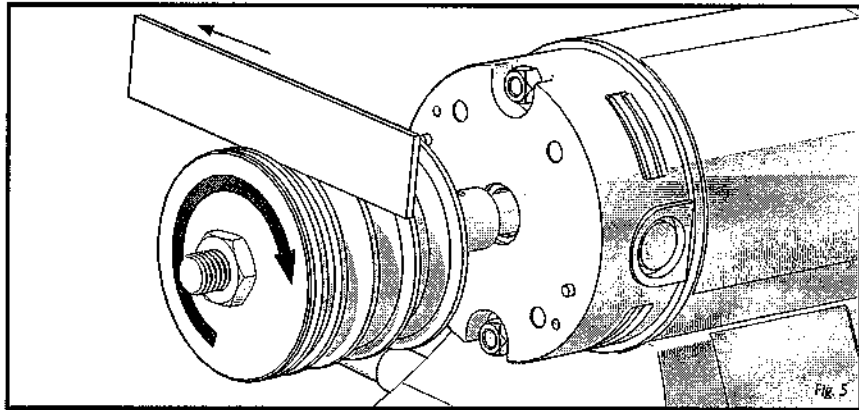
SLICKING

Fig. 5

- Select the appropriate groove size that matches your leather thickness or project.
- Use medium to fast setting for slicking. Apply light pressure to ease your work piece into the wheel, use multiple passes until the desired result is achieved.
- For best result, we recommend moisten the leather edge slightly before burnishing.

⚠ CAUTION: We recommend testing the result on scraps before moving onto your work piece.

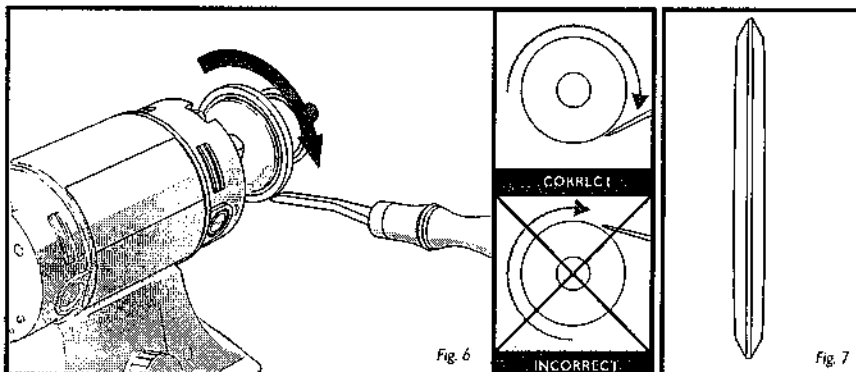
⚠ WARNING: Do not force your work piece into the grooves. Excessive force can burn the edges and damage slicker wheel or machine.



SHARPENING AND HONING

- Your machine comes with pre-installed leather discs. Choose the appropriate wheel size for the tool, add additional leather discs if necessary (sold separately) into the honing clamp. (Large wheel can hold maximum of 3 discs providing an approx. 19mm or 3/4" width honing surface; Small wheel holds maximum of 2 discs providing an approx. 6.3mm or 1/4" width honing surface.)
- Level your leather discs using the sand paper provided. We recommend backing the sand paper with a wooden block or flat surface.
- To sharpen your tools, turn on the machine, dial speed to low/ medium setting, apply polishing compound on the leather wheels then polish the tool. Fig. 6
- We recommend bevel the small leather wheel to a point to sharpen difficult to reach edges or grooves in some leather tools. Fig. 7

⚠ WARNING: Do not push the tool blade into spinning disc to avoid serious injury.



SANDING

Fig. 8

- Insert the sanding wheel onto the threaded spindle and tighten the nut.
- Slide the sanding sleeve onto the sanding wheel. Note that 80 grit is coarser than 120 grits and will remove more material. Use the grit best suited for your application.

⚠ WARNING: Dusk mask required.

WARNING: Some dust created by power sanding, sharpening, honing, and other construction activities contains chemicals known to cause cancer, birth defects or other reproductive harm. Some examples of these chemicals are: lead from lead-based paints, crystalline silica from bricks and cement and other masonry products, and arsenic and chromium from chemically-treated lumber. Your risk from these exposures varies, depending on how often you do this type of work. To reduce your exposure to these chemicals: work in a well ventilated area, and work with approved safety equipment, such as those dust masks that are specially designed to filter out microscopic particles.

⚠

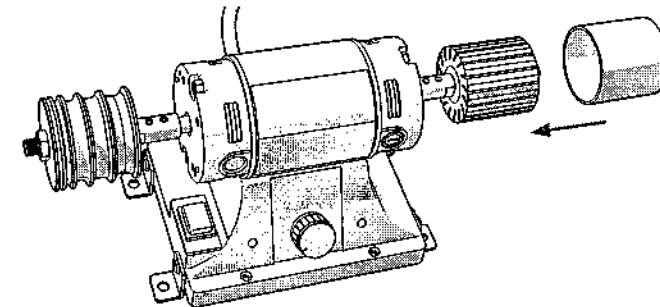


Fig. 8

MAINTENANCE

- Keep the machine dry, clean and free from oil and grease. Always use a clean cloth for cleaning.
- Never use brake fluids, gasoline, petroleum-based products or any solvents.
- Regularly inspect equipment for damages. If any problems are found, do not use equipment until fixed properly.
- Inspect cords and extension cords periodically. If damaged, repaired by a qualified service technician.
- Do not take the machine apart or service any part of the burnisher that is not written in this manual.
- The burnisher has pre-lubricated ball bearings and a dustproof motor housing that do not require any lubrication.
- Check for carbon brush wear periodically (about every 100 hours of continuous operation). The brush fixer are located on the right side of the motor, one in the front of the machine and the other in the back. Use a flat head screw driver to remove the brush fixer. Install new carbon brushes if the old parts are less than 6.5mm or 1/4" long. Make sure the ends of the brushes are in line and touch the commutator surface. Fig. 9

⚠ WARNING: Disconnect power cord before checking for brush wear.

⚠ CAUTION: The motor is designed to operate at about 40-50°F above room temperature which will be warm to the touch but will not harm the motor. Stay away from hot parts.

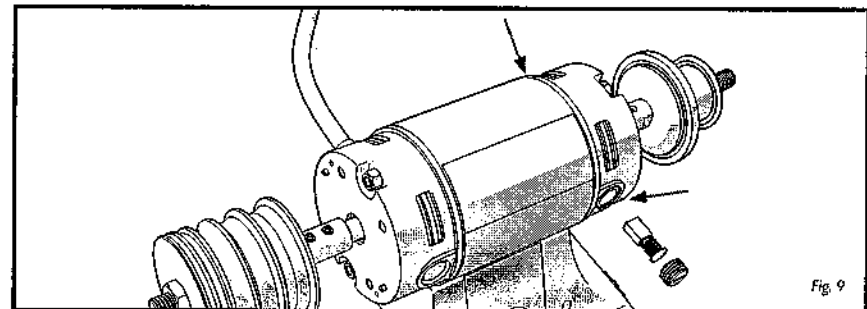


Fig. 9

FUSE REPLACEMENT (UK, EU & AU MODELS ONLY)

- UK, EU & AU models have a built in safety fuse. If your machine stops working entirely, your fuse may have blown out. Replace it with the spare fuse included by following the below steps.

⚠ DANGER: Electrical shock hazard. Turn off power, unplug machine from power source, wait five minutes for voltage to discharge before replacing the fuse. Failure to do so can result in serious injury or death.

- Ensure the power switch is in the OFF position.
- Unbolt the machine from the work surface.
- Turn machine over to expose the bottom plate.
- Remove the plate screws and plate.
- Remove ties from fuse holder assembly and unscrew to fuse holder assembly to expose the fuse.
- Remove blown fuse, insert replacement and screw the fuse holder assembly.
- Revert the above steps to secure the bottom plate back on and fix the machine to the work surface.
- Plug machine back into power source and turn it on to verify that the circuit is working properly.

PARTS LIST MOTOR ASSEMBLY

Fig. 10

- | | | | |
|------------------------|-----------------------|-----------------------|--------------------|
| 1. Baffle | 9. Power Cord Sheath | 17. Wire Strain Plate | 25. Brush Fixer |
| 2. Locknut M5 | 10. Logo Plate | 18. Screws (ST4×6) | 26. Brush Carrier |
| 3. Bearing Housing 1 | 11. Bearing housing 2 | 19. Cover Board | 27. Carbon Brush |
| 4. Wave Washer | 12. Split Washer 5 | 20. Screws (ST4×8) | 28. Brand 3 |
| 5. Bearing (608) | 13. Screws (M5×135) | 21. Rubber Feet | 29. Speed Control |
| 6. Rotor | 14. Circle Ornament | 22. Circuit Board | 30. Hex Jam Nut |
| 7. Stator Sub Assembly | 15. Speed Dial Plate | 23. Insulation Paper | 31. Flat Washer 10 |
| 8. Power Cord | 16. Bottom | 24. Screws (ST5×10) | 32. Screws (ST4×8) |

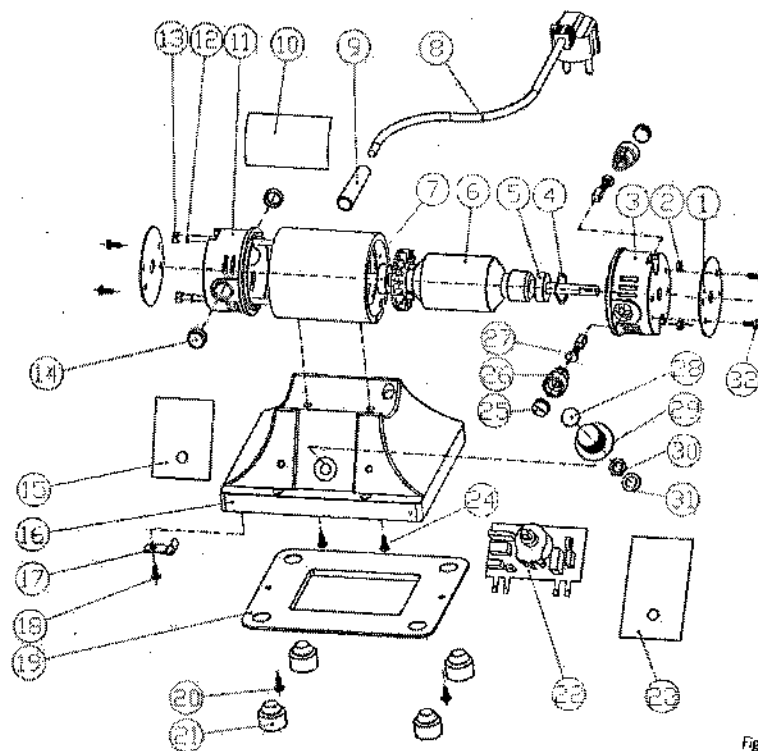


Fig. 10