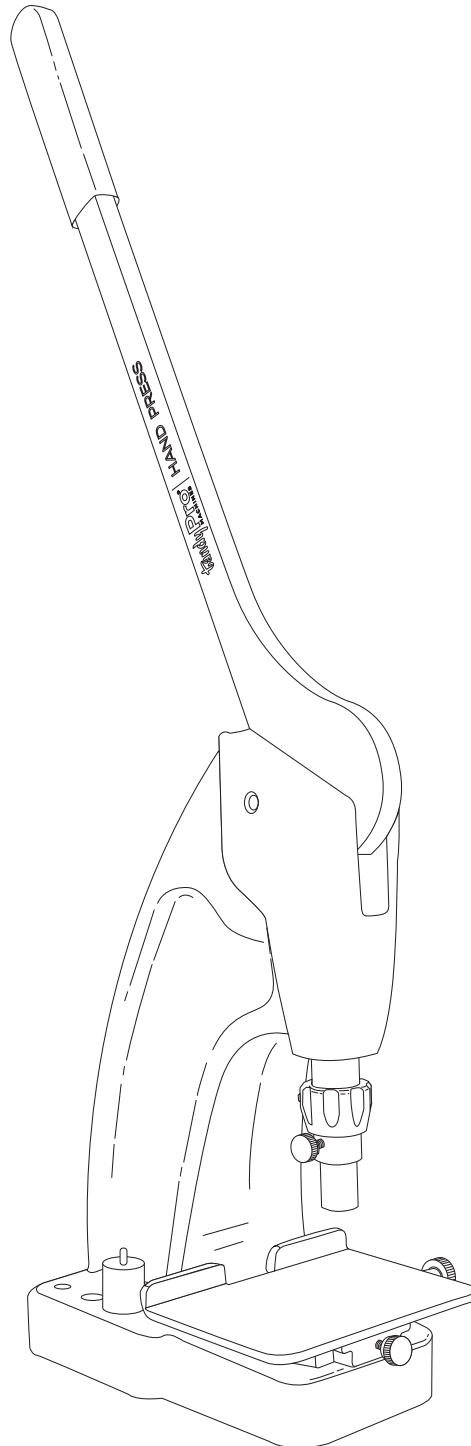


INSTRUCTIONS FOR USE

TANDYPRO® HAND PRESS

3960-01

tandyPro[®]
MACHINES



GENERAL DESCRIPTION

The TandyPro® Hand Press is designed for stamping, setting hardware, and punching holes on leather. Its adjustable ram height provides convenient support for various leather thicknesses and attachments. It is ideal for small production, repair shops, and home workshops.

LIABILITY STATEMENT

The TandyPro® Hand Press is a proprietary product of Tandy Leather and is subject to copyright and patent protection. By purchasing this product, the purchaser assumes all liability resulting from the unsafe operation or improper use. Tandy Leather shall not be liable for personal injury resulting from the use of this machine under any circumstances. We strongly advise against modification and/or use of this product for any other application other than that for which it was designed.

All information in this manual is subject to change without notice. Tandy Leather reserves the right to make changes and improvements to the product without incurring any obligation to incorporate such improvements in products previously sold.

SAFETY RULES

Safe operation of this machine and accessories requires that you read and understand this operator's manual. Safety is a combination of common sense, staying alert, and knowing how your machine works.

- Do not operate this machine under the influence of drugs, alcohol, medication, or when feeling fatigued.
- Keep children away.
- Machine must be bolted as directed to a sturdy, stationary surface. Do not attempt to use the machine while placed at an angle.
- Be sure your work is placed securely in place. Do not attempt to use the machine while placed at an angle.
- Only use accessories designed for the TandyPro® Hand Press. Improper accessories may cause damage or injury.
- Do not force or overload machine by using handle extensions or excessive pressure.
- Keep handle in upright position to prevent accidents when not in use.
- Always check that machine is properly secured and setup before use.
- Keep hands and fingers clear of moving parts to avoid injury.
- Wear safety glasses. Everyday glasses do not provide adequate protection.

SAFETY SYMBOLS

The purpose of safety symbols is to attract your attention to possible dangers. The safety symbols, and the explanations with them, deserve your careful attention and understanding. These safety warnings do not by themselves eliminate any danger. The instructions or warnings they give are not substitutes for proper safety and accident prevention measures.

SYMBOL



SAFETY ALERT:

Indicates danger, warning, or caution.
May be used in conjunction with other symbols or pictographs.

DANGER/WARNING/CAUTION:

Failure to follow a safety warning could result in serious injury to yourself or to others.
Always follow the safety precautions to reduce the risk of personal injury.

TANDYPRO® HAND PRESS

tandyPro®
MACHINES

COMPONENTS

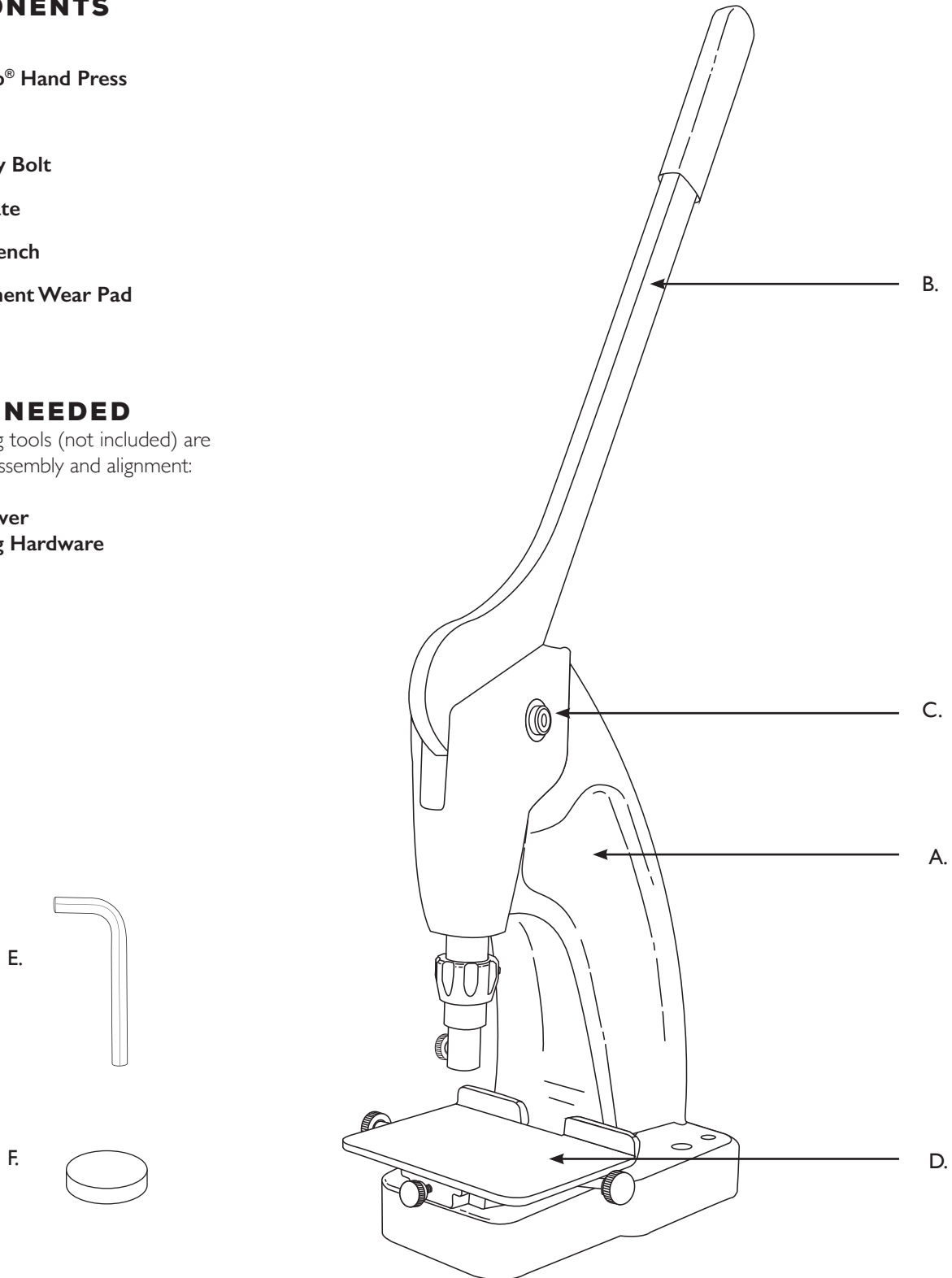
Fig. 1

- A. TandyPro® Hand Press
- B. Handle
- C. Allen Key Bolt
- D. Table Plate
- E. Allen Wrench
- F. Replacement Wear Pad

TOOLS NEEDED

The following tools (not included) are needed for assembly and alignment:

- Screwdriver
- Mounting Hardware



INSTALLATION

- Carefully remove all parts from the packaging.
- Do not discard the packing materials until you have carefully inspected the machine, identified all loose parts, and satisfactorily operated your machine.



CAUTION: Heavy machinery, please carry with both hands to avoid injury.

- Place Screw Alignment Templates on workbench or stand and drill 4 holes where indicated.
- Mount the machine onto the surface (hardware not included). We recommend using 1/4" or 6 mm bolts and add corresponding washer and nuts to secure the machine into place. *Fig. 2*



WARNING: Do not operate machine until it is properly secured to a work surface. The entire machine base must be in contact with the table surface. Do not suspend the front of the machine off the table.

- Insert handle onto the press, slightly compressing the ram, and tighten the socket head bolt. *Fig. 3*
- Slide the table plate into the base and tighten table handle. *Fig. 4*

Fig. 2

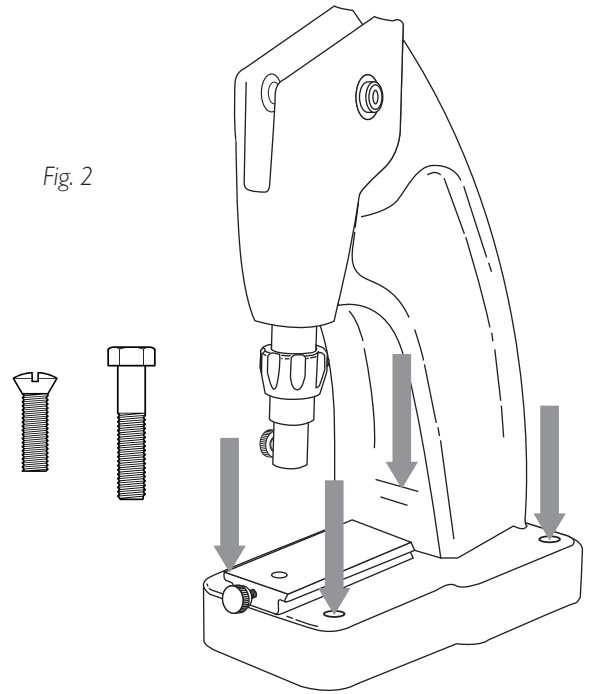


Fig. 3

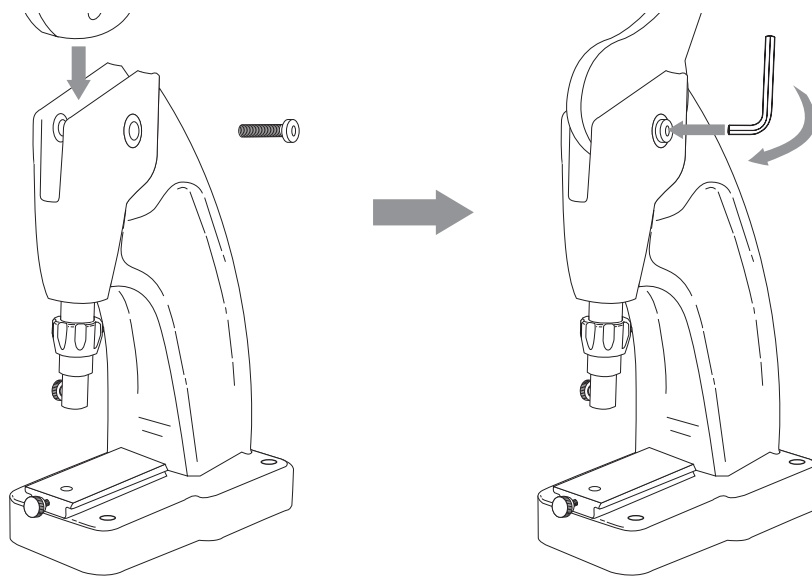
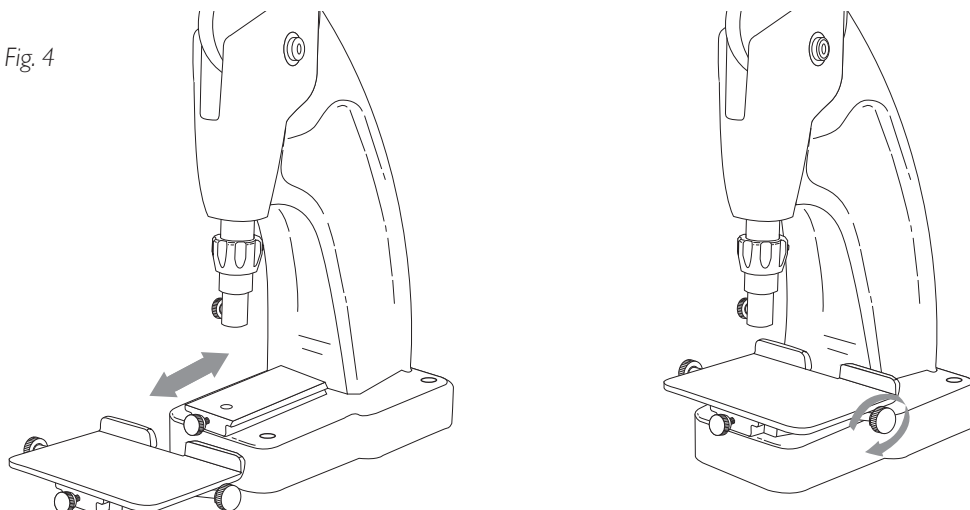


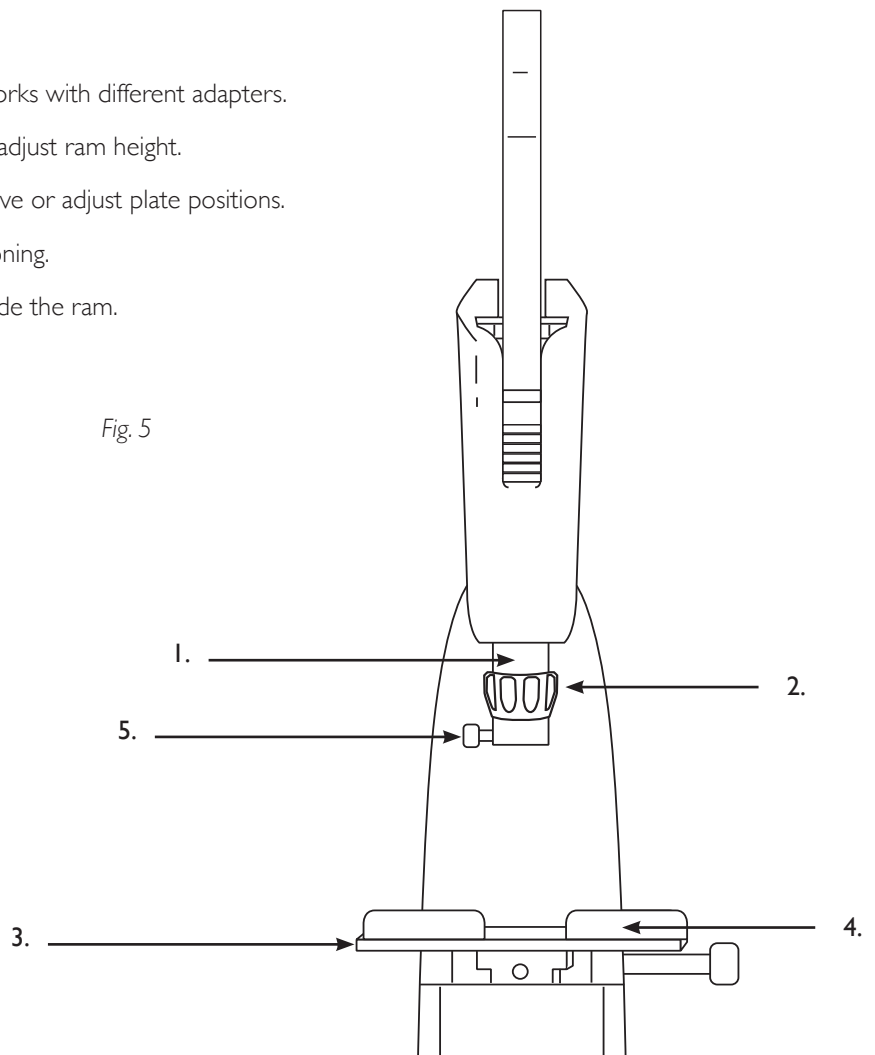
Fig. 4



FEATURES

Fig.5

1. **Ram:** Moves up and down with the handle. Works with different adapters.
2. **Adjustment Collar:** Rotates left and right to adjust ram height.
3. **Table Plate:** Loosen the table handle to remove or adjust plate positions.
4. **Fence:** Extra guide for easy work piece positioning.
5. **Thumbscrew:** Holds and secure adapters inside the ram.



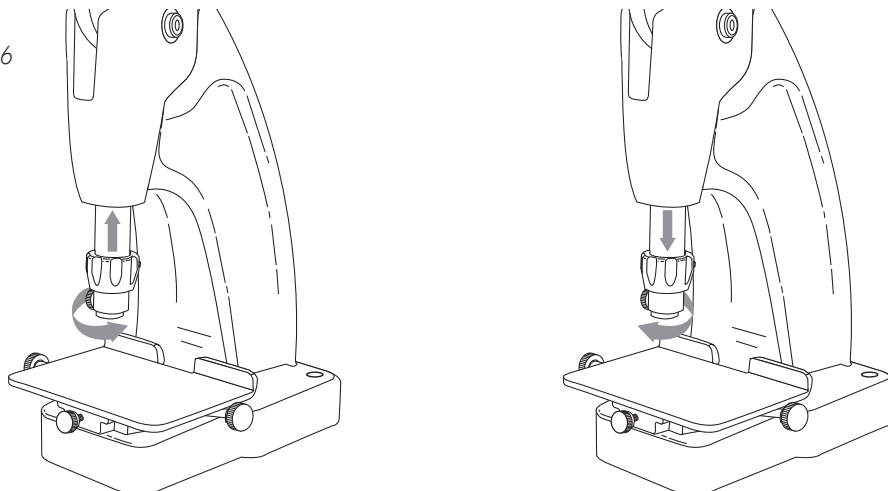
OPERATION



WARNING: Do not attempt to operate this machine until you have read and understand all instructions and safety rules. Failure to comply can result in serious accidents. Save this instruction manual and review frequently for continuing safe operation.

- Rotate the adjustment collar to change the ram height. Fig. 6

Fig. 6



OPERATION

(continued)

- Do not operate past the safety gauge with the handle in the upright position. Fig. 7
- Use full handle stroke each time. The handle will come to a complete stop when fully lowered. It is normal to see the safety gauge when the handle is in the down position. Fig. 8
- To reposition table plate, loosen the table handle by rotating it counter-clockwise. Fig. 9

WARNING: Do not overload the extended arm to avoid damaging the machine. Fig. 10

- Loosen and tighten thumbscrew to change the adapters.

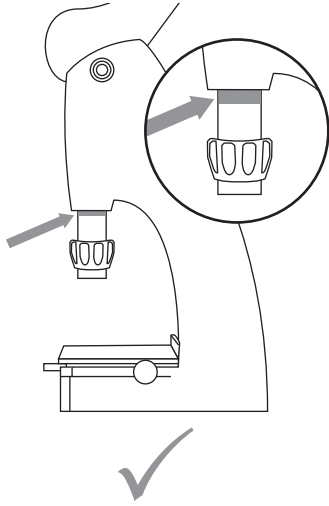


Fig. 7

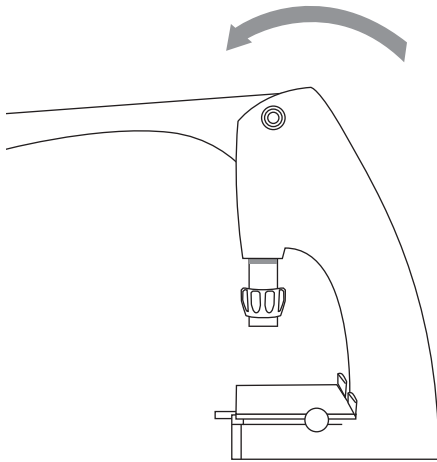
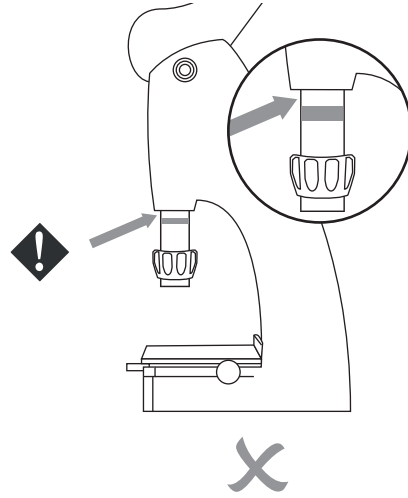


Fig. 8

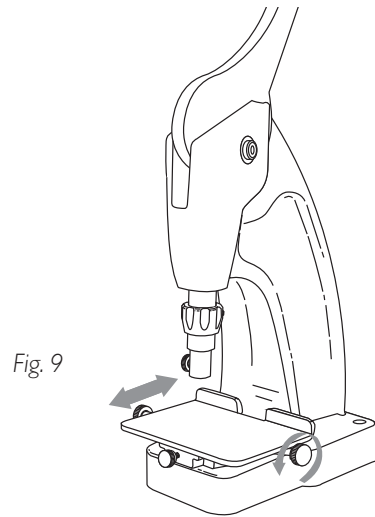


Fig. 9

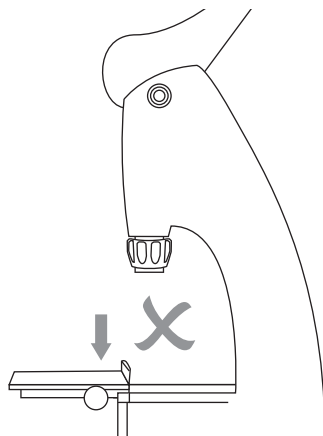


Fig. 10

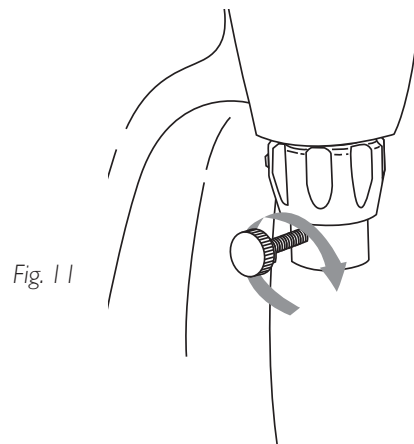


Fig. 11

SETTING HARDWARE

Fig. 12

- Remove the table plate.
- Insert upper die into the ram hole and tighten the thumbscrew. Insert lower die into base hole and tighten thumbscrew. (sold separately)
- Adjust ram height setting based on leather thickness.
- Load hardware into upper and lower dies, insert leather and pull the handle down completely.

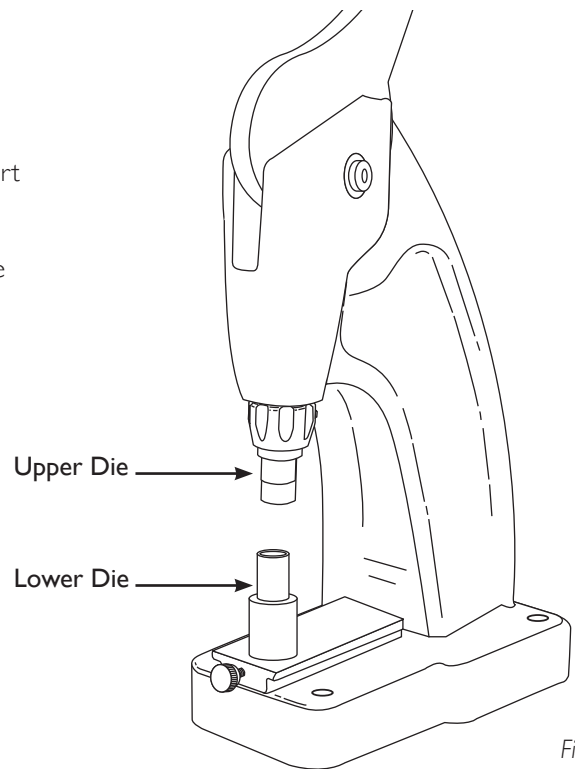


Fig. 12

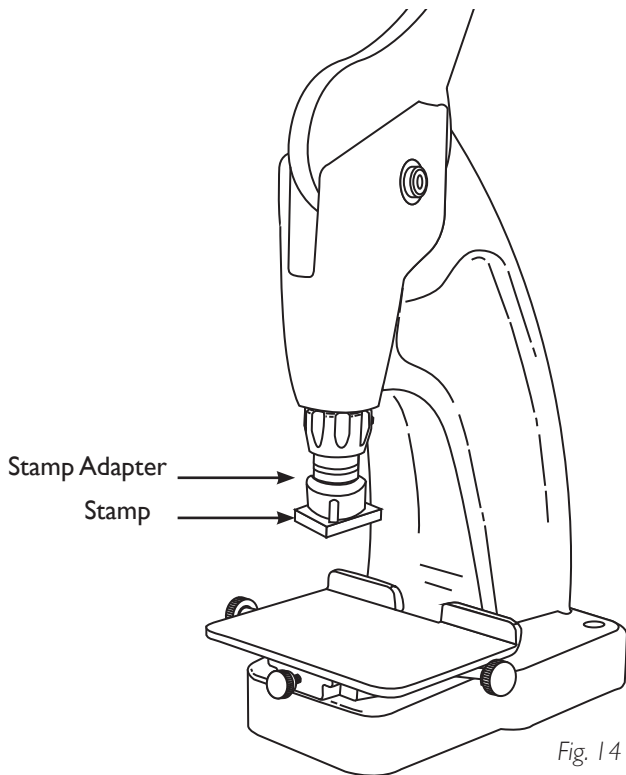


Fig. 14

STAMPING

Fig. 13

- Install the table plate and reposition it to desired location.
- Insert stamp adapter or type holder (sold separately) into the ram hole and tighten thumbscrew.
- Adjust the ram height base on the leather thickness and desired impression depth.
- Place workpiece onto table plate and moisten before stamping.
- Pull handle down completely.

HOLE PUNCHING

Fig. 14

- Remove the table plate.
- Screw desired punch tube or chisel into the adapter.
- Insert adapter into the ram hole and tighten thumbscrews. (sold separately).
- Insert anvil into base hole and tighten thumbscrew.
- Adjust ram height setting base on the tube or chisel height.
- Place workpiece on the anvil and pull the handle down completely.



WARNING: Keep hands and fingers clear of moving parts to avoid injury.

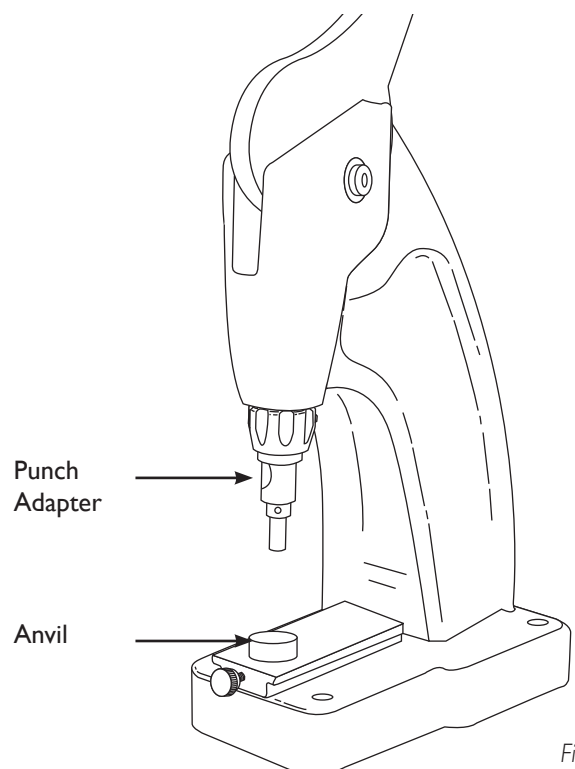


Fig. 14

MAINTENANCE

Fig. 12

- Inspect the machine and check for parts alignment. Replace components as needed.



WARNING: Only use accessories designed for the TandyPro® Hand Press. Improper accessories may cause risk of injury.

- Frequently clean any dirt and debris left on the machine.
- Lubricate ram assembly periodically with grease or oil to prevent rust.
- Change worn wear pad with new one by removing handle and head socket screw. Reverse this step after changing out the pad.

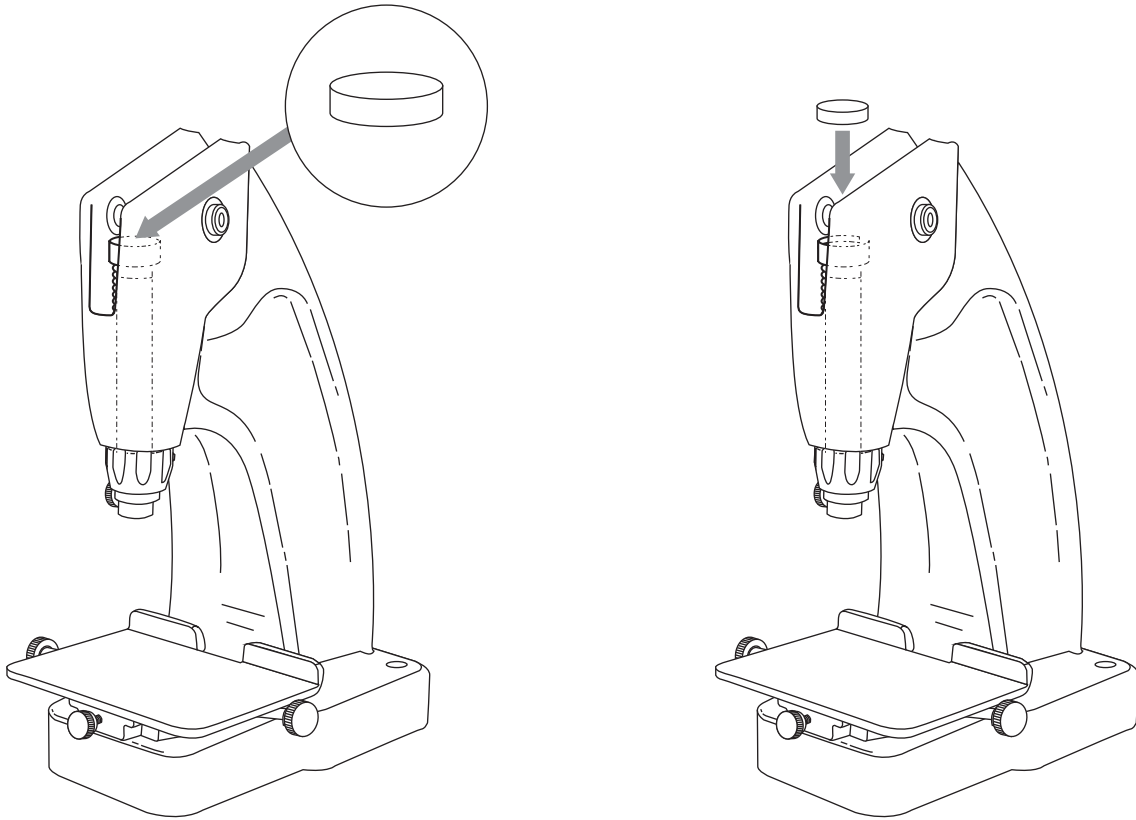


Fig. 15

PART LIST

Fig.16

1. TandyPro® Hand Press

2. Handle

3. Ram Bushing

4. Follower Bolt

5. Ram

6. Wear Pad

7. Thumbscrew

8. Adjustment Collar

9. Ram Spring

10.Socket Head Bolt

11.Table Plate

12.Table Handle

13. Set Screw

14.Handle Grip

15.Stop Pin

16.T-Channel

17.Flat Head Socket Cap Screw

18.Thumbscrew

19.Arm Spacer

20.Follower Stop Plate

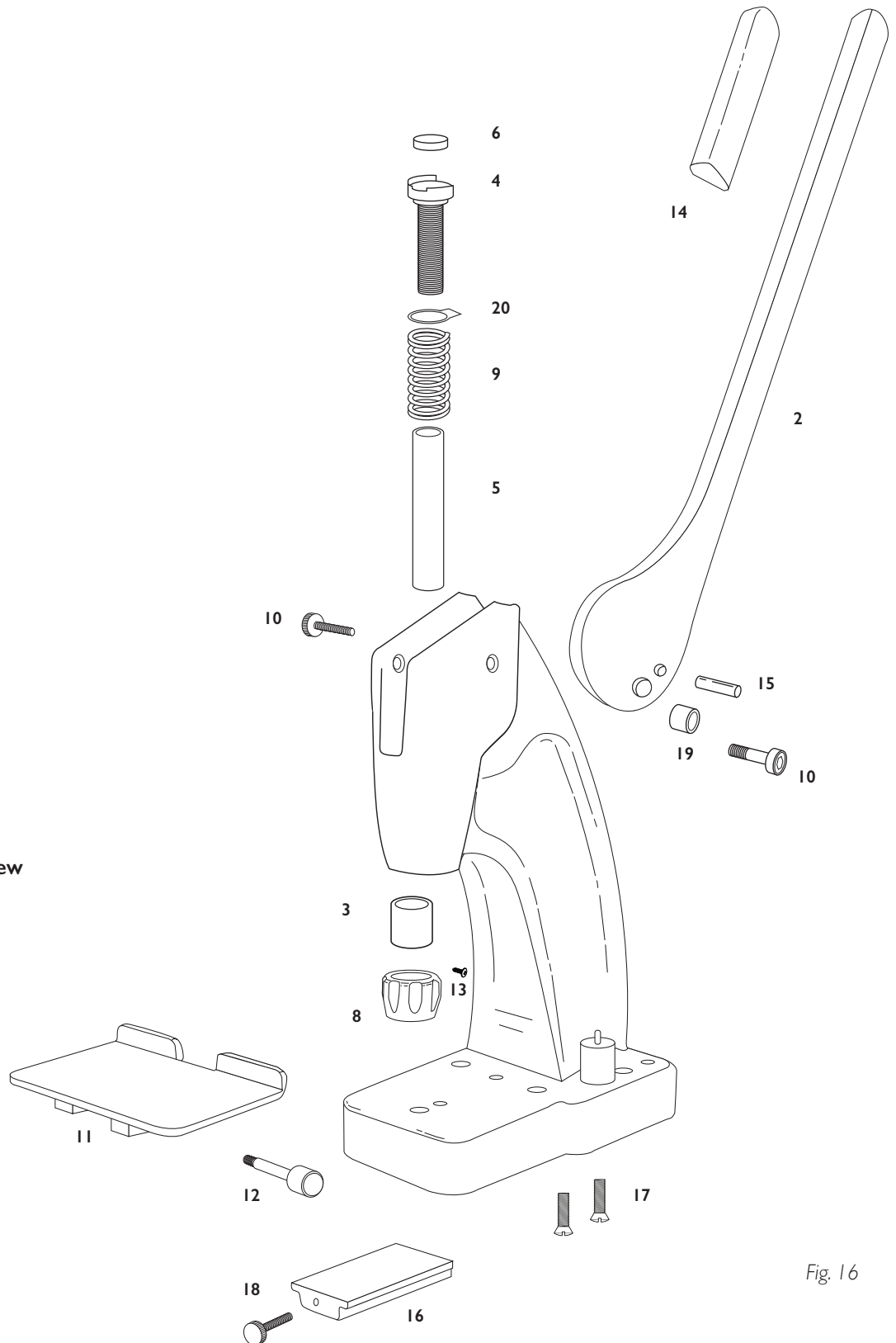


Fig. 16

ACCESSORIES - HARDWARE SETTERS

Rivet Setting Dies:

3997-00 (6 pcs).
Multi-size Rivet Setting Dies for:
9/32", 3/8", 1 3/32"
Single/Double Cap Rivets

3997-01 (2 pcs)
1/2" Rivet Setting Dies



Round Spot Setting Dies:

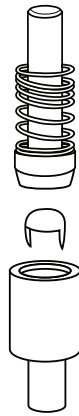
3988-01 (2 pcs)
For 1/4" Round Spots

3988-02 (2 pcs)
For 3/8" Round Spots

3988-03 (2 pcs)
For 7/16" Round Spots

3988-04 (2 pcs)
For 1/2" Round Spots

3988-05 2pc
For 1/8" Round Spots



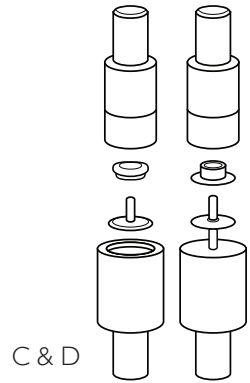
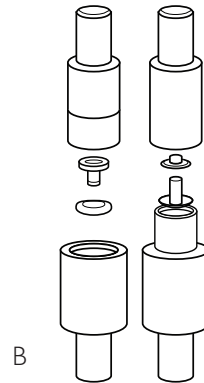
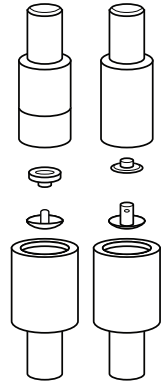
Snap Setting Dies:

A. 3985-11 (4 pcs)
For Glove Snaps

B. 3994-11 (4 pcs)
For Line Snaps

C. 395-11 (4 pcs)
For 20 Line Snaps

D. 3996-11 (4 pcs)
For Line 24 Snaps

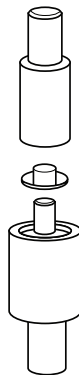


Eyelet Setting Dies:

3992-00 (2 pcs)
For 3/16" Eyelets

3992-01 (2 pcs)
For 1/4" Eyelets

3992-02 (2 pcs)
For 5/16" Eyelets



Brass Grommet Setting Dies:

39011-01 (2 pcs)
For 3/16" Solid Brass Grommets

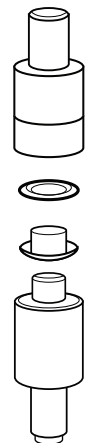
39011-02 (2 pcs)
For 9/32" Solid Brass Grommets

39011-03 (2 pcs)
For 5/16" Solid Brass Grommets

39011-04 (2 pcs)
For 3/8" Solid Brass Grommets

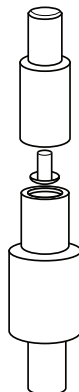
39011-05 (2 pcs)
For 1/2" Solid Brass Grommets

39011-06 (2 pcs)
For 17/32" Solid Brass Grommets



Tubular Rivet Setting Dies:

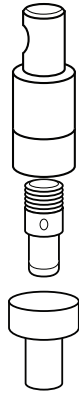
3998-00 (2 pcs)
For Tubular Rivets



ACCESSORIES - HOLE PUNCH

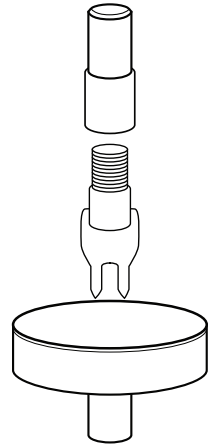
Punch Tube Adapter Set:

3993-00 (2 pcs)
For 3798 Series Rotary Punch
Replacement Tubes



Stitching Chisel Adapter Set:

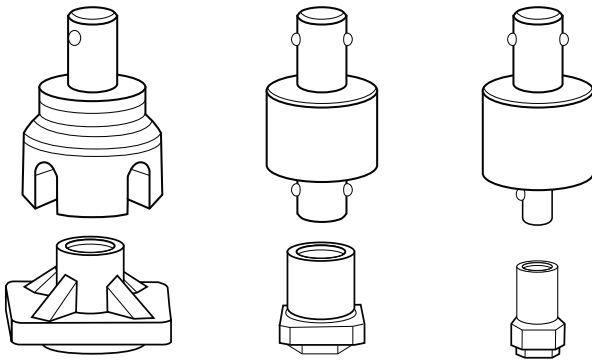
3009-03 (2 pcs)
For use with Diamond Chisel
10-Piece Set (3009-00) & Thonging
Chisel Set (3008-00)



ACCESSORIES - STAMP

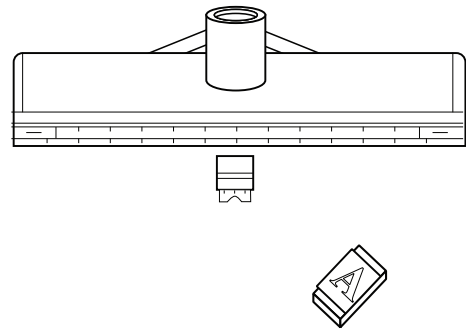
Stamp Adapters:

3961-01 (3 pcs)
For 1/8", 1/4", and 3/8" Stamps; 2D/3D 1/2", 3/4", and 1"
Alphabet, Number and Pattern Stamps
Except 8130-02 and 8131-02



Type Holder:

3961-02 (1 pc)
For use with 3/16" and 1/4"
Brass Imprinting Set



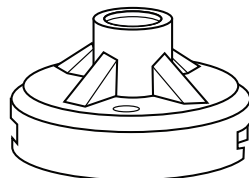
ACCESSORIES - MADE TO ORDER

Custom Stamp:

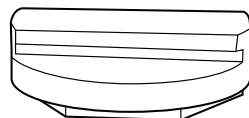
A. 1051-031 (1 pc)
Dual Custom Stamp Adapter

B. 1051-32 (1 pc)
Custom Brass Mold

A



B



WARRANTY INFORMATION

Manufacturer warrants this product to be free from defects in workmanship and materials, under normal use and conditions, for a period of 6-months from the purchase date.

To request repair or damage support, please e-mail tlfhelp@tandyleather.com and include the following information:

- 1) CUSTOMER ID/ORDER ID/DATE OF PURCHASE
- 2) MACHINE SERIAL #
- 3) PICTURES/VIDEO OF THE DEFECT
- 4) ADDITIONAL NOTES DESCRIBING THE ISSUE

Customer Service: 877-LEATHER
www.tandyleather.com