

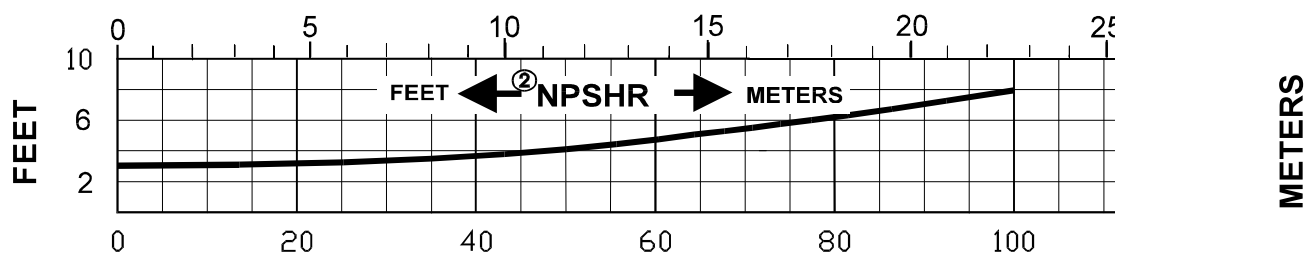
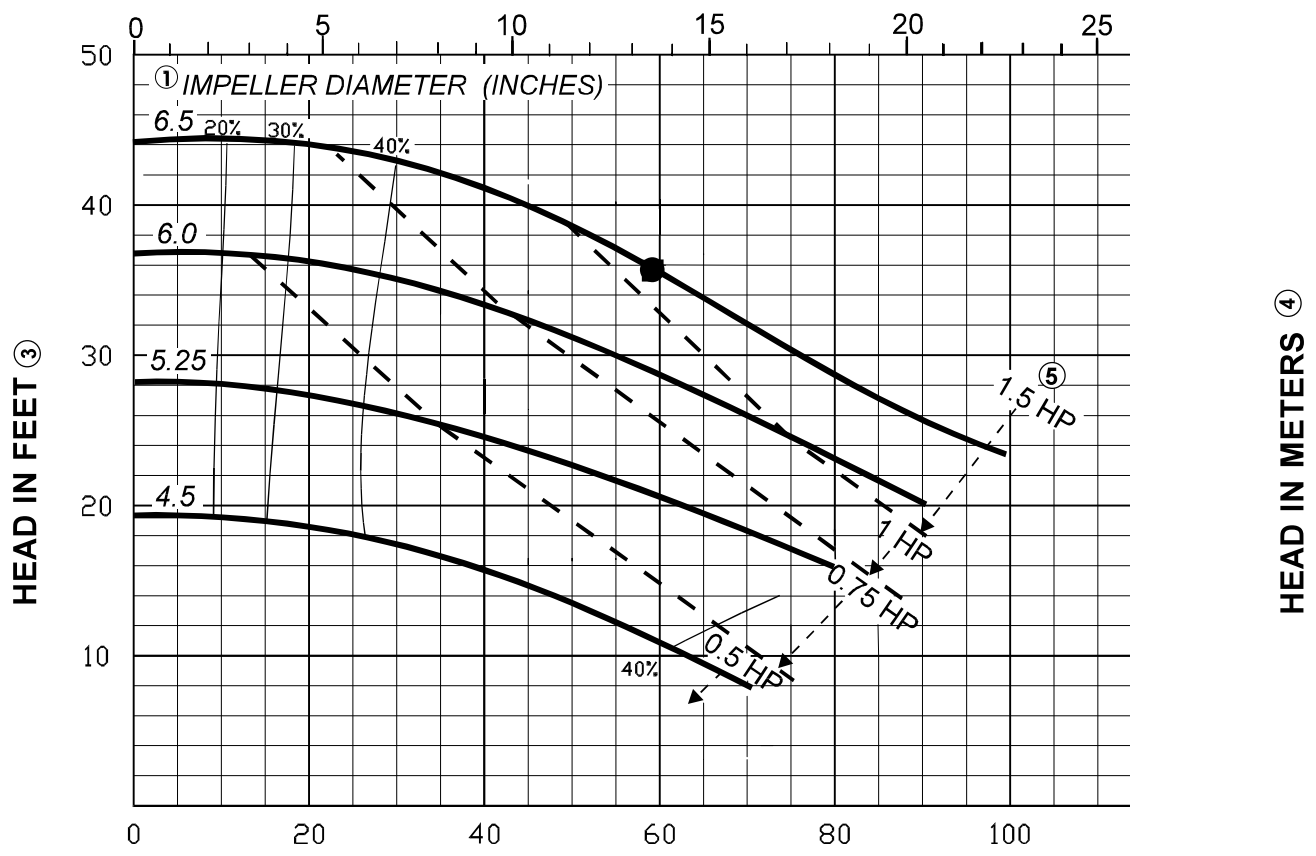
WAUKESHA Series 200 CENTRIFUGAL PUMPS

MODEL: 2065LV
60 Hz 1750 RPM
SIZE: 2-1/2 x 1-1/2 x 6-1/2

● = Best Efficiency Point
 % = Efficiency Percentage

CAPACITY CURVES

Based on water at 70°F. (22°C.)



NOTES

- ① Impeller diameters available in 1/16-inch increments
- ② NPSHR is shown for maximum impeller diameter
- ③ $PSI = \frac{\text{Head in Feet} \times \text{Specific Gravity}}{2.3}$
- ④ $Kg/cm^2 = \frac{\text{Head in Meters} \times \text{Specific Gravity}}{10}$
- ⑤ $HP \times 0.746 = Kw$



Waukesha
Cherry-Burrell®

611 Sugar Creek Road Delavan, WI 53115
 Phone: 262-728-1900 Fax 262-728-4904
 www.spxflow.com/wcb

CURVE NUMBER
95-07010

EFFECTIVE DATE
 6-4-2002

PAGE NUMBER
 07010