

SELECT   
COMPOSITE

# A REALLY EASY GUIDE TO YOUR NEW CLADDING



Fire resistant



Fade resistant



Stain resistant



No warping



Easy to install



Greener option

# Contents

INTRODUCTION.....	3
-------------------	---

## BEFORE YOU GET STARTED

<b>1. Shopping list.....</b>	<b>6</b>	<b>3. Planning.....</b>	<b>9</b>
<b>2. Storage and handling.....</b>	<b>7</b>	3.1 Preparing the area.....	9
2.1 Storage.....	7	3.2 Calculating materials.....	10
2.2 Handling.....	8		

## INSTALLING YOUR CLADDING

<b>4. Support frame installation.....</b>	<b>14</b>	<b>5. Cladding installation.....</b>	<b>23</b>
4.1 Choosing your frame materials.....	14	5.1 Installing the first board.....	23
4.2 Cutting batons to size.....	16	5.2 Fitting boards end-to-end (butt-jointing).....	25
4.3 Installing the first baton.....	17	5.3 Installing subsequent boards.....	27
4.4 Installing subsequent batons.....	20	5.4 Ripping boards to fit.....	28
4.5 Sister batons.....	21	<b>6. Finishing touches.....</b>	<b>29</b>
4.6 Installing batons around windows and doors.....	22	6.1 About finishing boards.....	29
		6.2 Installing fascia boards.....	30
		6.3 Installing the corner trims.....	31

## CARE AND SUPPORT

<b>8. Maintenance.....</b>	<b>33</b>	<b>9. FAQs.....</b>	<b>34</b>
----------------------------	-----------	---------------------	-----------

# Introduction

**Congratulations on taking the first step towards your brand new cladding.**

Composite cladding is a great way to easily install stunning, environmentally friendly cladding at your home or business.

The advanced tongue and groove design allows boards to firmly slot together, and ensures a consistent space between boards every time.

## WHAT IS WPC?

WPC (wood plastic composite) is a hybrid product made of wood and plastic to produce a durable composite material. 90% of the materials that go in to make WPC are recycled.

**No new trees are cut down and waste plastic is removed from our environment.**

## HOW DOES IT WORK?

Your cladding hangs on a robust sub-frame made up of batons. The cladding boards have grooves cut into them that perfectly lock together, giving you a flawless finish with minimal effort.



**GREENER OPTION**



**FADE RESISTANT**



**STAIN RESISTANT**



**WARP RESISTANT**



**EASY TO INSTALL**



**FIRE RESISTANT**



## ABOUT OUR RANGES

**All our cladding components are designed to be used with other items from the same range.**

### **Cladding boards**

150mm x 20mm x 3600mm

### **Baton materials**

Eco lumber

50mm x 50mm x 3100mm

50mm x 100mm x 3400mm

50mm x 150mm x 3400mm

WPC joists

40mm x 30mm x 3600mm

### **Fixings**

Cladding board screws

Cladding joist screws

### **Finishing boards**

Fascia boards

Corner trim

### **Additional fittings**

Depending on the range and installation methods you choose, you may need to purchase additional fittings. See **page 6** for our shopping list.

Throughout this guide, additional fittings are highlighted for easy identification.



Additional fittings may be required for this stage.

**BEFORE YOU GET  
STARTED**

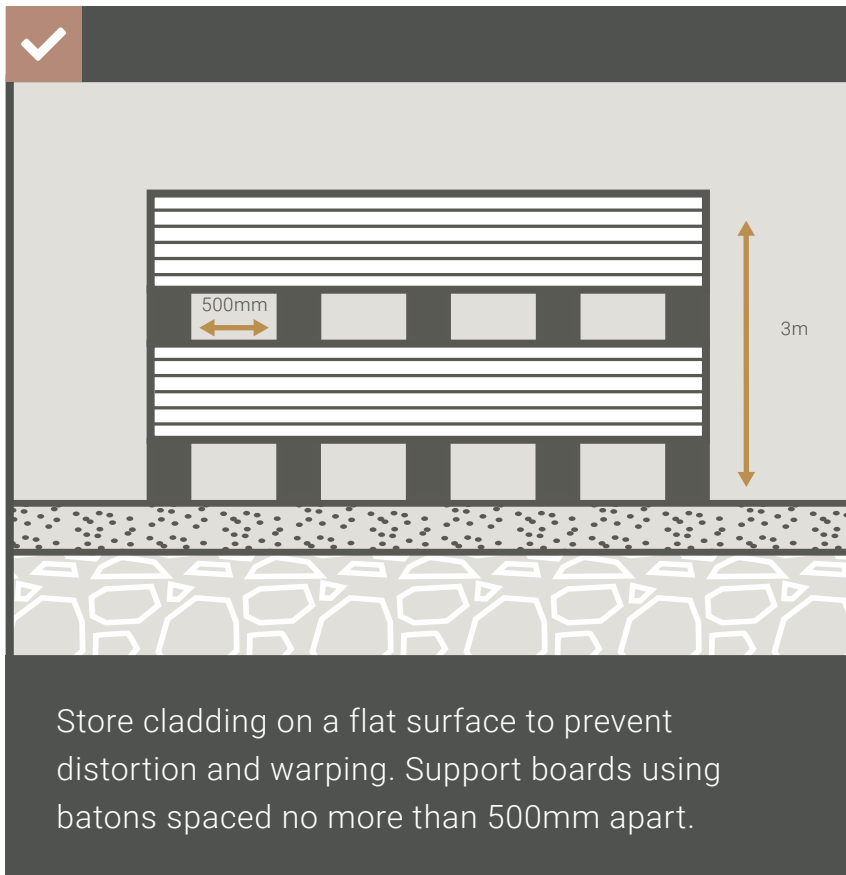
# 1. Shopping list

You may need some or all of the following tools and fittings to complete your project. We recommend that you read through this guide before you start to determine what additional supplies you will need. All items can be found in your local hardware store.

- Circular saw**  
With fine tooth tungsten carbide tipped blade
- Mitre saw**  
With fine tooth tungsten carbide tipped blade
- Table saw**
- Impact driver**  
With 3mm and countersink drill bits
- Hammer drill**  
With masonry drill bits
- Cladding joist screws**
- Cladding board screws**
- Tape measure**
- Spirit level**
- Safety glasses and personal protection equipment**

## 2. Storage and handling

### 2.1 Storage



**NEVER** store boards directly on the ground.



**NEVER** stack boards higher than 3m.

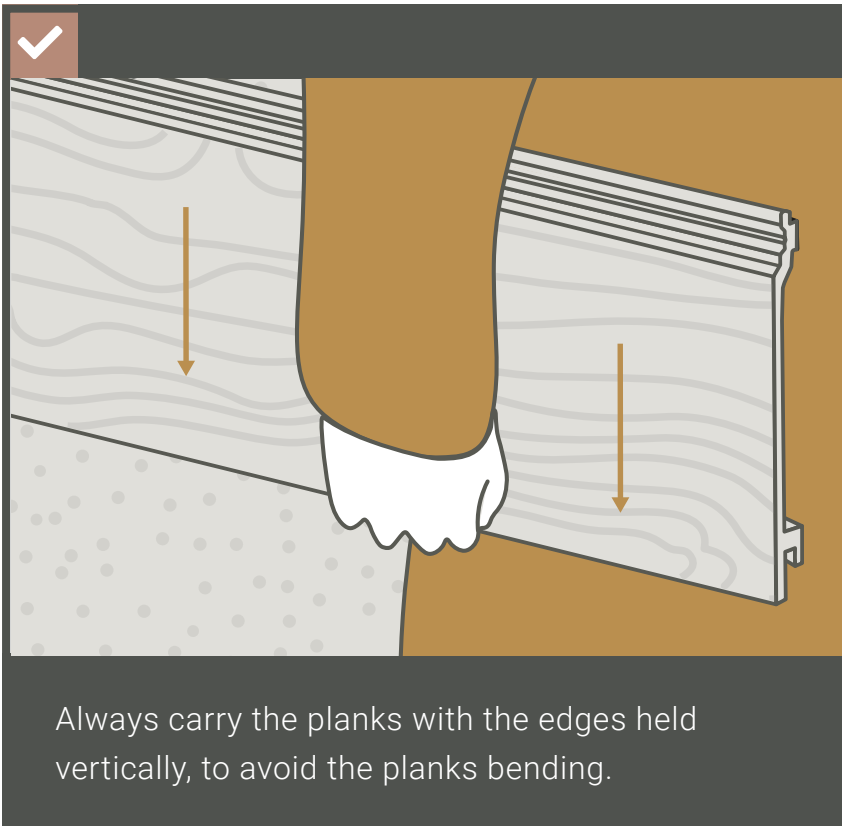


**ALWAYS** store boards inside or keep covered.



**ALWAYS** let your cladding boards acclimatise for at least **2 days** before beginning installation.

## 2.2 Handling



### HEAVY ITEMS



Place boards down carefully.  
**DO NOT** dump.



**DO NOT** slide or drag equipment across boards.



**DO NOT** slide boards against each other when handling.



# 3. Planning

## 3.1 Preparing the area

**Most cladding structures require planning permission prior to installation. Check with your local authority.**

Before you start, draw up your plans for approval.

Cladding boards can be installed **horizontally** or **vertically**.

For the purposes of this guide, all installation advice is designed for horizontal installation.

Vertical installation follows the same method, but support frame batons must be installed horizontally rather than vertically.



The type of wall you are planning to install your cladding on will determine which method you use to treat your inner wall structure **(pg 15)**.



Once you have calculated your cladding area, you will need to determine the best baton layout. This will form the frame on which the cladding will be installed.

Decide where the cladding will be installed and measure the width and height of the total area.

## 3.2 Calculating materials

**It's important to measure your planned cladding area carefully.**

Your cladding boards **MUST** have a 6mm gap between the short edges. You need to factor this into your measurements when planning your cladding area.

1

Measure the width and length (in mm) of the area where you plan to install the cladding.

2

Plan which direction you want your cladding boards to go; vertically or horizontally.

Calculate how many boards you will need using the following rules. All our cladding boards are 150mm x 20mm x 3600mm.

#### FOR BOARDS INSTALLED HORIZONTALLY

i. Divide wall height by visible board width (132mm).

**Area (h) ÷ board (w) + gap = board rows**

ii. Now divide wall width by board length (3600mm) plus standard expansion gap (6mm).

**Area (w) ÷ board (l) + gap = board lengths**

iii. Multiply board rows and board lengths to calculate boards required. Round up result.

**Board rows x board lengths = boards required**

iv. Add min. 5% (rounding up) to allow for wastage caused by cutting.

---

#### FOR BOARDS INSTALLED VERTICALLY

i. Divide wall width by visible board width (132mm).

**Area (w) ÷ board (w) + gap = board rows**

ii. Now divide wall height by board length (3600mm) plus standard expansion gap (6mm).

**Area (h) ÷ board (l) + gap = board lengths**

iii. / iv. Follow steps iii. and iv. as above.



Add at least **5%** to the total material required to allow for wastage caused by cutting.



Always round **UP** when calculating the amount of material you need.



For multiple cladding areas, follow these steps for each area and then add the results together.



### EXAMPLE

If you are installing your cladding horizontally and your area is 8m (h) x 7m (w) x (8000mm x 7000mm):

$$8000 \div 132 = \mathbf{61} \text{ board rows}^*$$

$$7000 \div (3600 + 6 = 3606) = \mathbf{1.9} \text{ board lengths}$$

$$52 \times 1.9 = \mathbf{1159} \text{ total material}^*$$

$$+ 5\% = \mathbf{1217} \text{ boards total}^*$$

\* Rounding result **UP** to nearest whole number

# INSTALLING YOUR CLADDING

# 4. Support frame installation

## 4.1 Choosing your frame materials

Before you can install your cladding boards, you **MUST** create a support frame.

**Recommended support frame materials:**

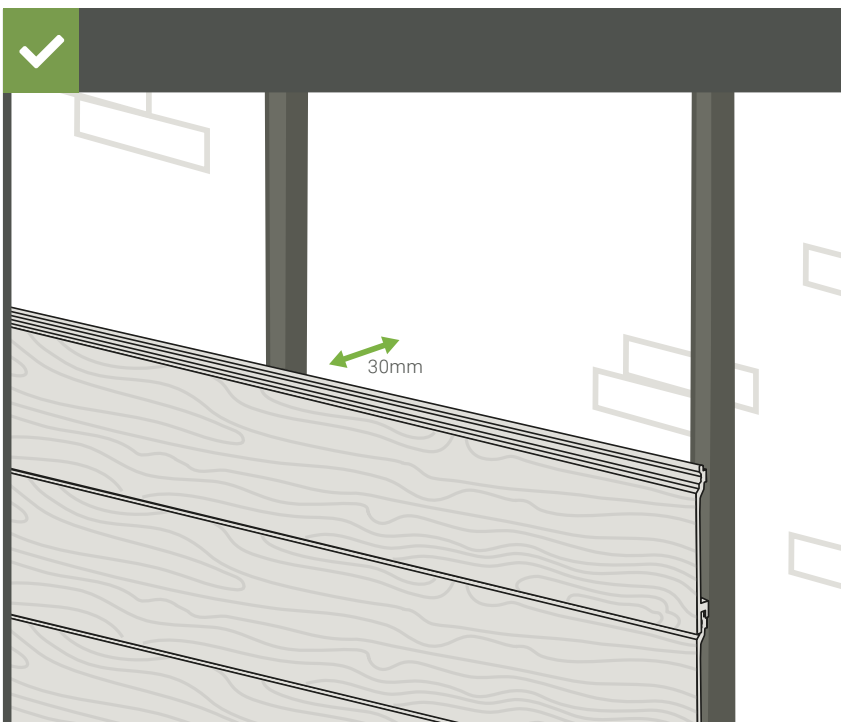
### Eco lumber

- 50mm x 50mm x 3100mm
- 50mm x 100mm x 3400mm
- 50mm x 150mm x 3400mm

### WPC joists

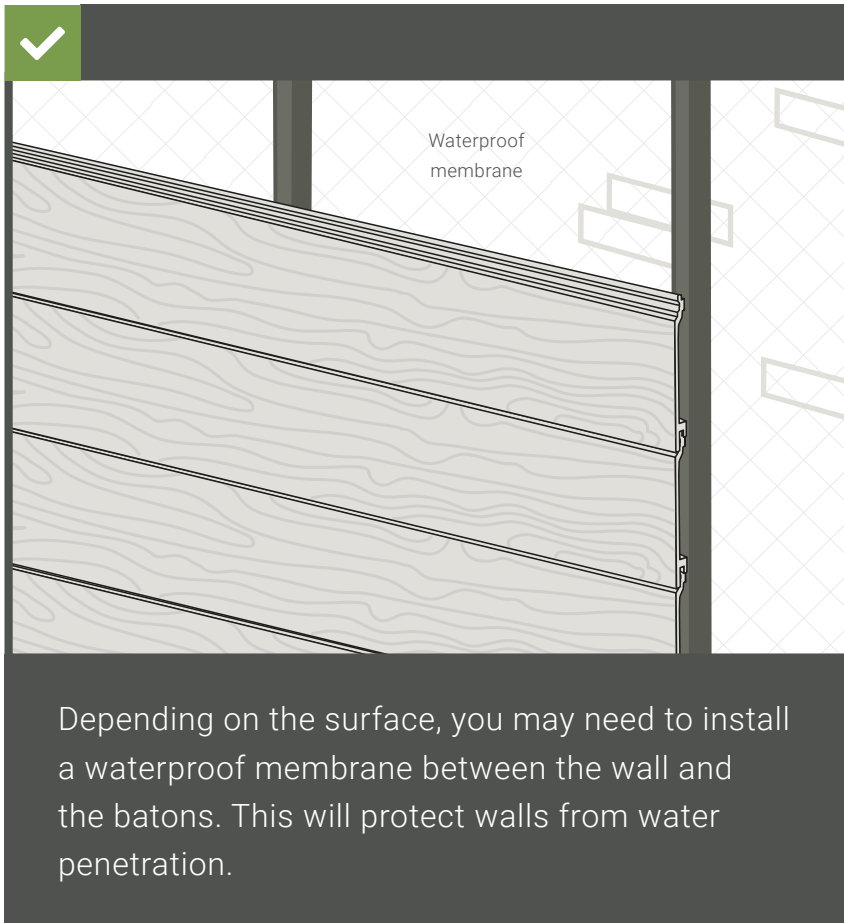
40mm x 30mm x 3600mm

You may also use treated timber or metal batons.

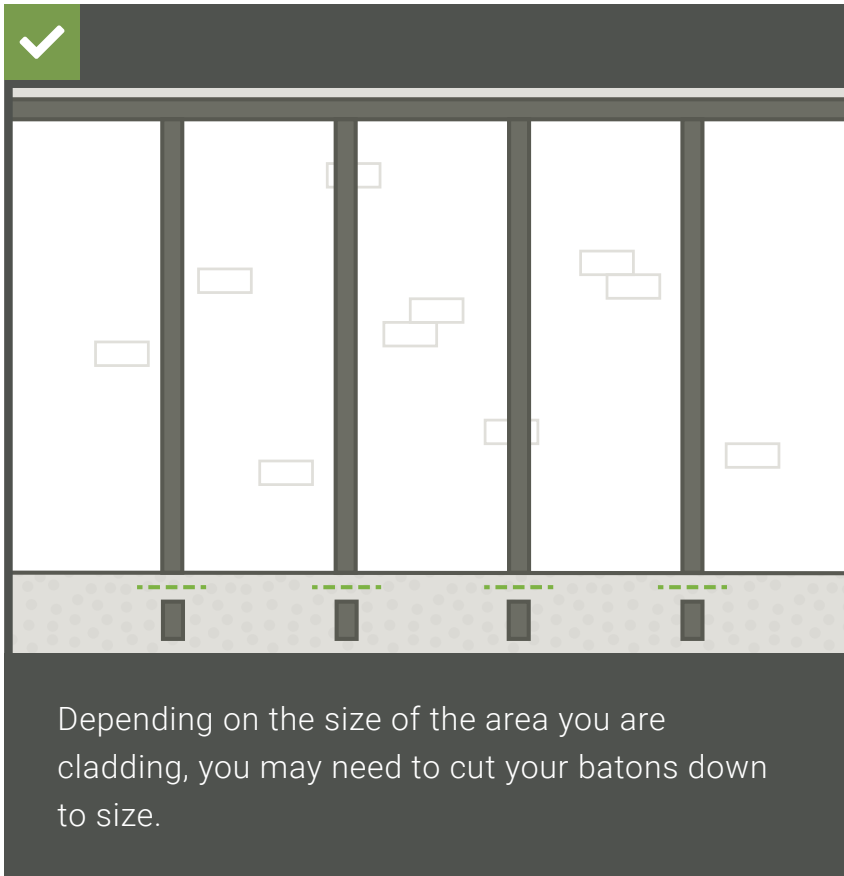


You **MUST** leave a minimum gap of **30mm** between the walls and the cladding boards for ventilation, so ensure that your batons are **at least** this deep.

## 4.1 Choosing your frame materials (continued)



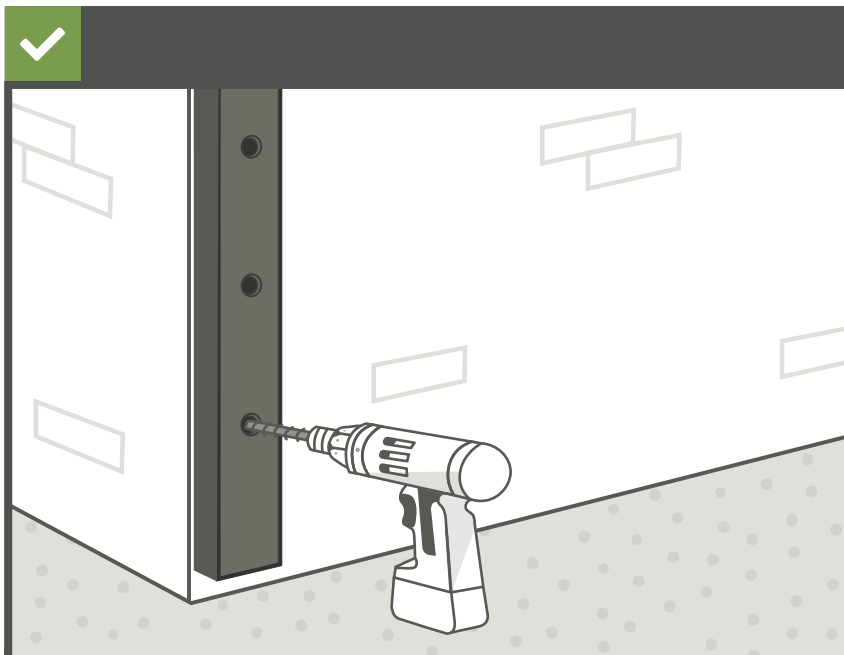
## 4.2 Cutting batons to size



For complex cladding projects, we recommend cutting each baton to size as you go along.



### 4.3 Installing the first baton



Starting at one edge of the wall, position the first baton in line with the wall edge.

Drill pilot holes through the baton and use these to mark on the wall where you will need to drill.

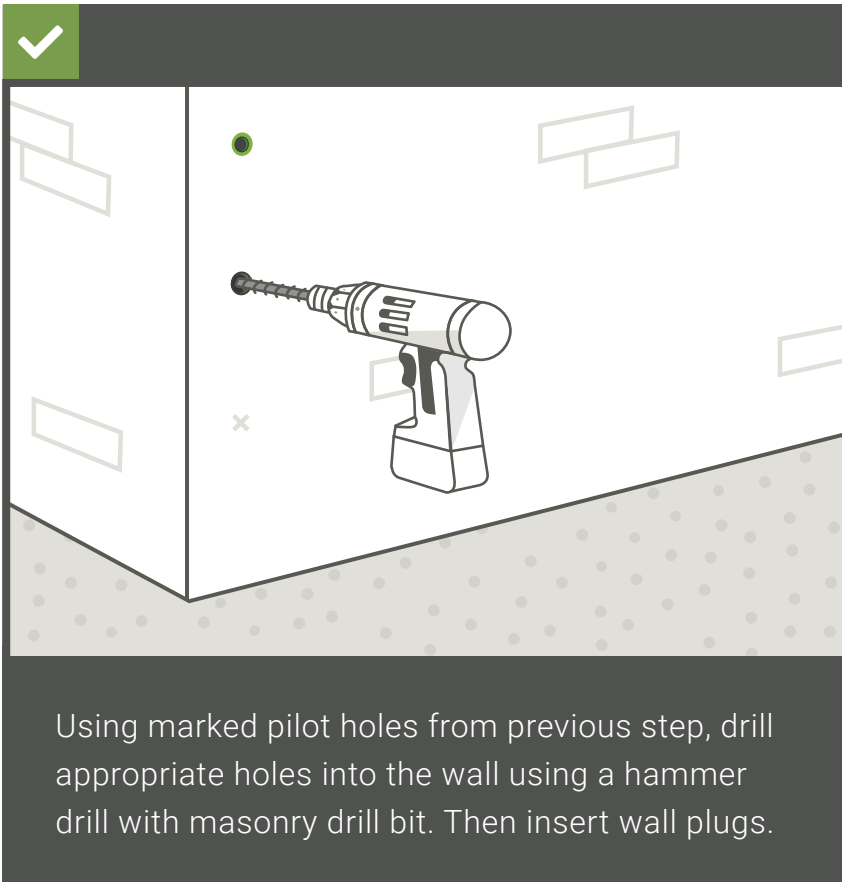


For horizontal board installation, batons **MUST** be installed vertically.



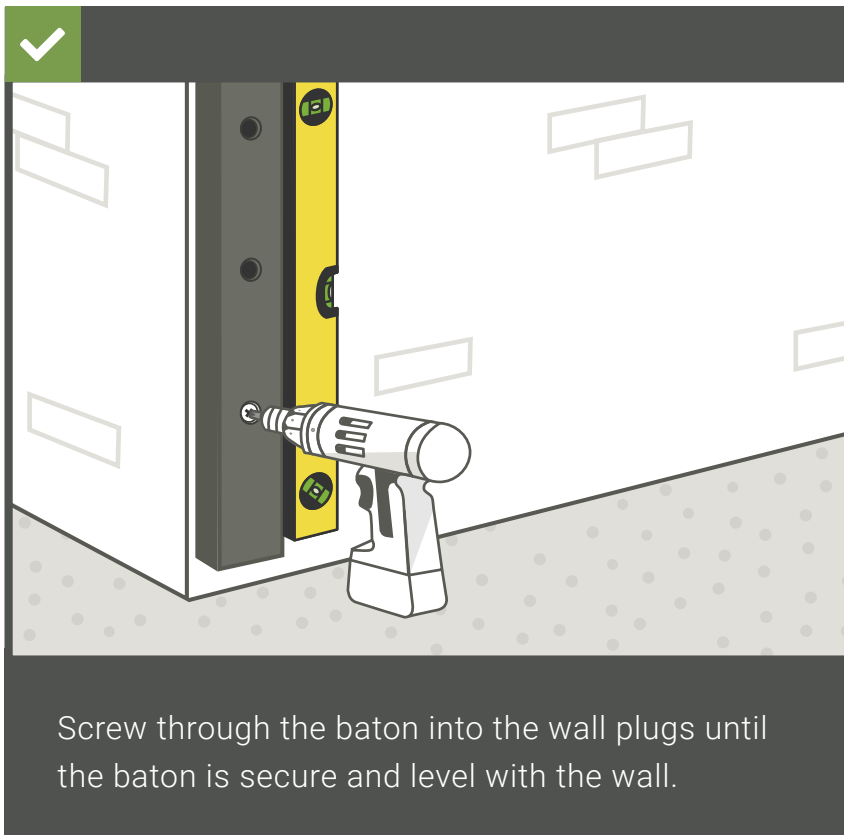
For vertical board installation, batons **MUST** be installed horizontally. Start at the bottom and work your way up.

### 4.3 Installing the first baton (continued)



Additional fittings may be required for this stage.

### 4.3 Installing the first baton (continued)



Use a spirit level to ensure batons are straight before fixing to the wall.

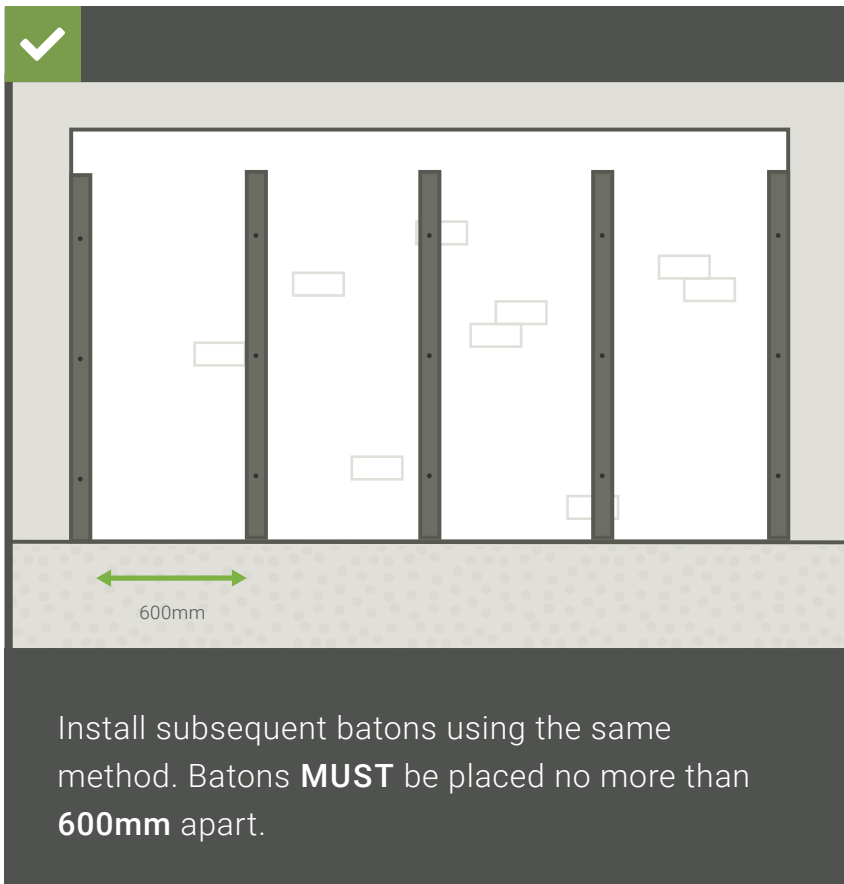


**DO NOT** over-tighten screws.



Additional fittings may be required for this stage.

## 4.4 Installing subsequent batons



**DO NOT** over-tighten screws.

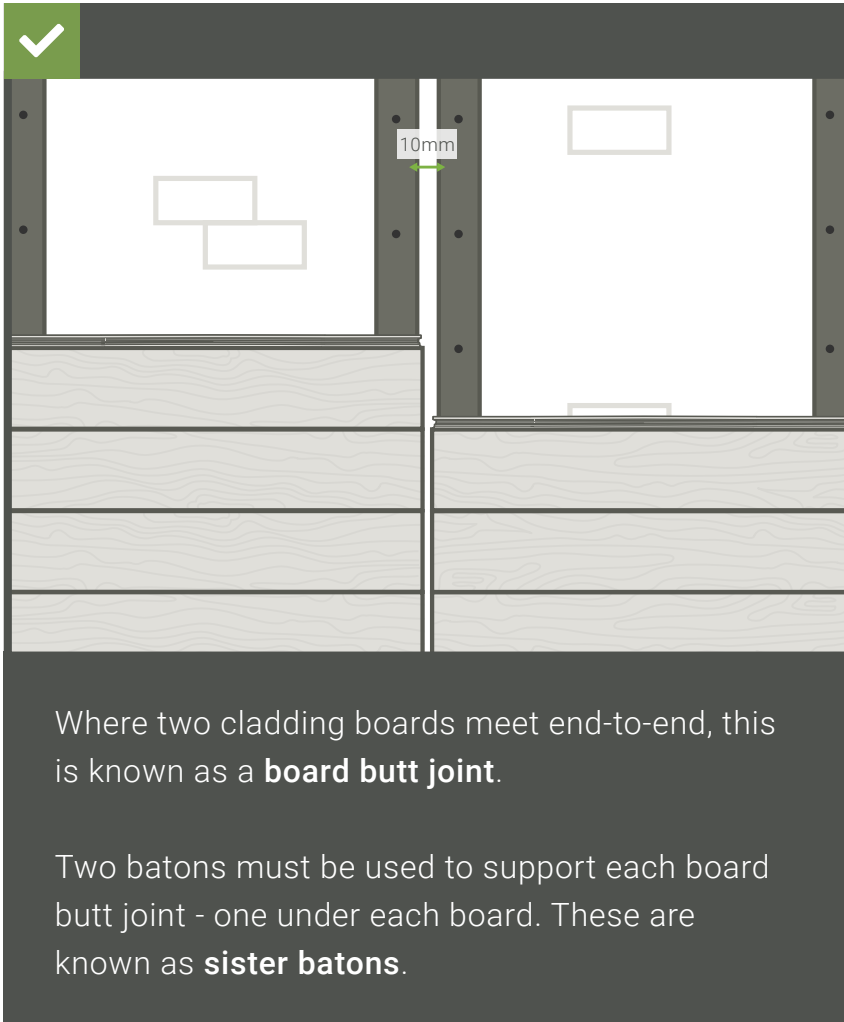


**ALWAYS** measure batons from centre to centre.



Additional fittings may be required for this stage.

## 4.5 Sister batons



Sister batons **MUST** have a **10mm** gap between them.

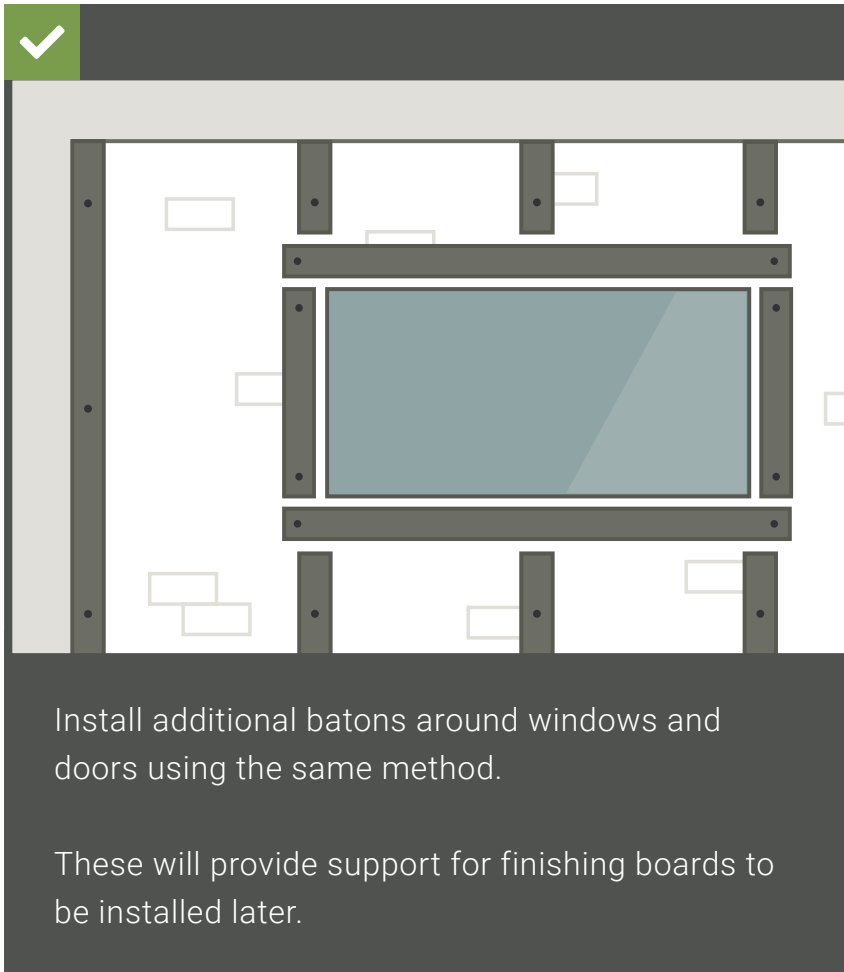


Cladding board ends **MUST** be installed with a **6mm** gap between adjoining boards. If not, the boards might warp or crack under pressure.



Additional fittings may be required for this stage.

## 4.6 Installing batons around windows and doors



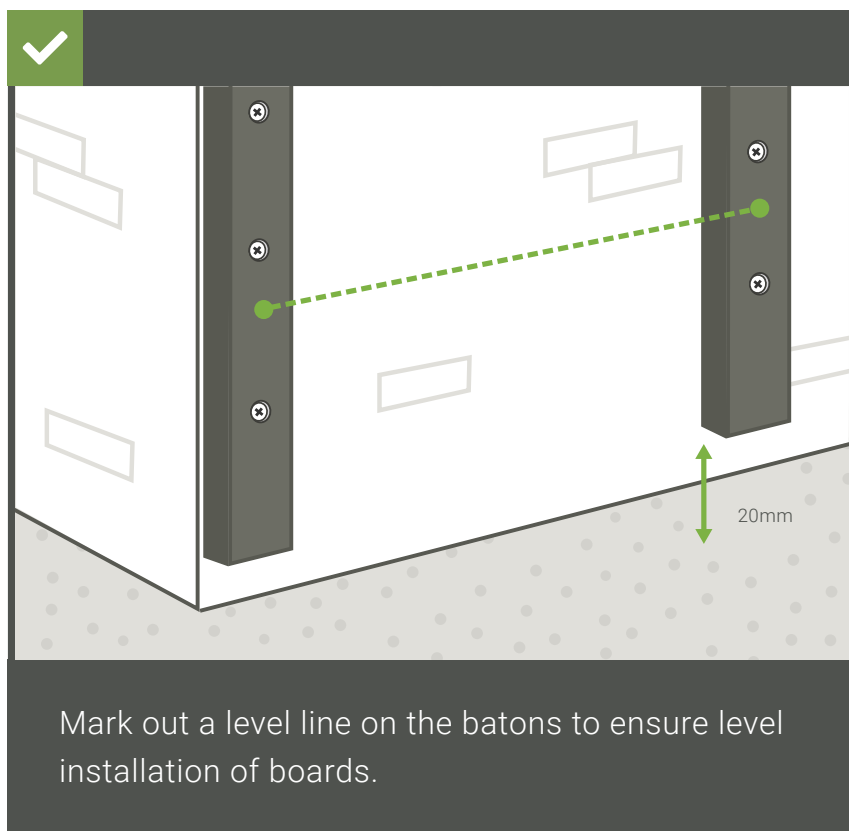
All batons **MUST** have a **10mm** gap between them.



**DO NOT** over-tighten screws.

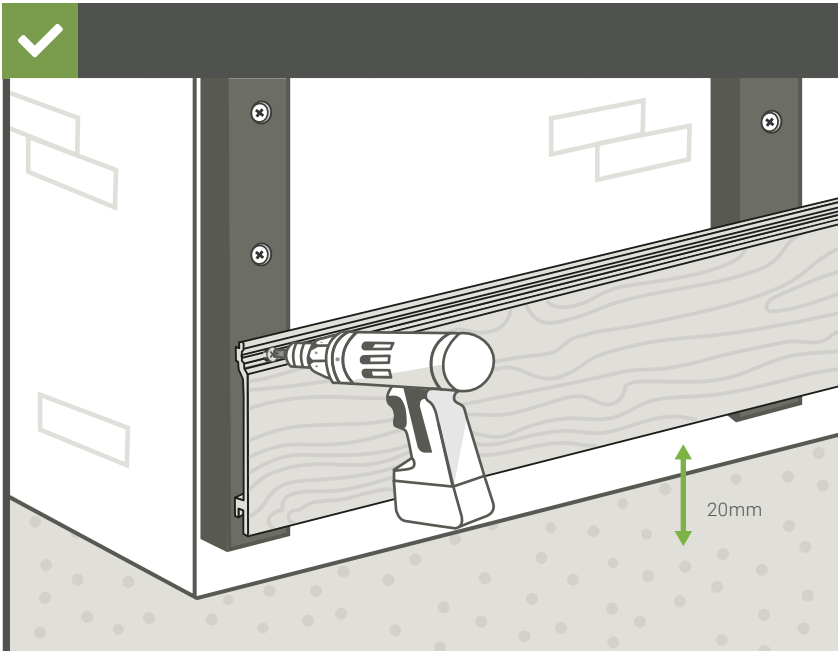
# 5. Cladding installation

## 5.1 Installing the first board



Lower cladding boards **MUST** be at least **20mm** above ground level to prevent excessive water absorption.

## 5.1 Installing the first board (continued)



Use the marks you made on the batons as a guide.

Pre-drill pilot holes through the groove in the board and into the batons behind.

Screw through the pre-drilled holes to fix the board to the batons using countersunk stainless steel screws.



Fit the bottom row of boards first and work your way up, installing one horizontal row at a time.



Lower cladding boards **MUST** be at least **20mm** above ground level to prevent excessive water absorption.



Boards must not overhang batons more than **20mm**.



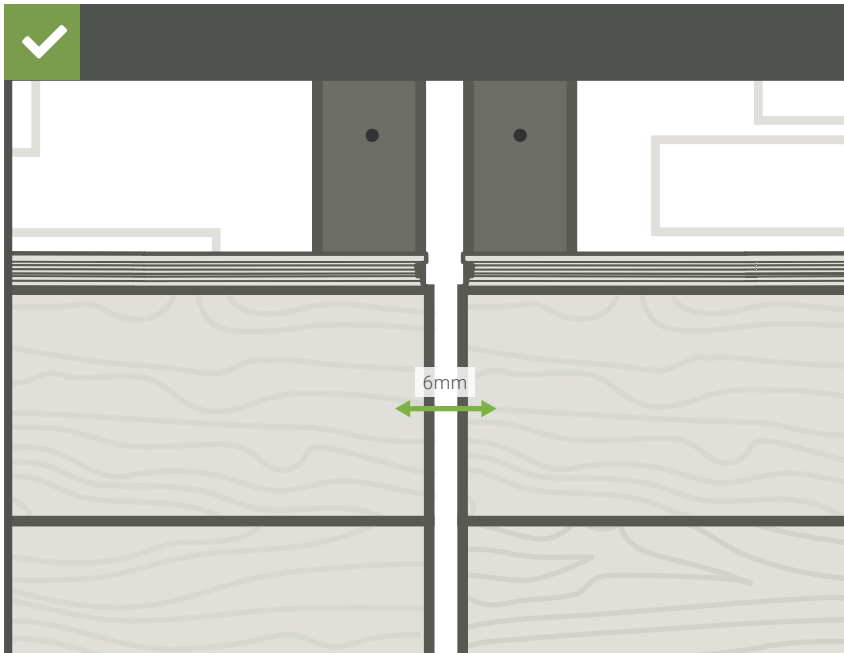
**DO NOT** over-tighten screws.



Use a spirit level to ensure boards are level.



## 5.2 Fitting boards end-to-end (butt-jointing)



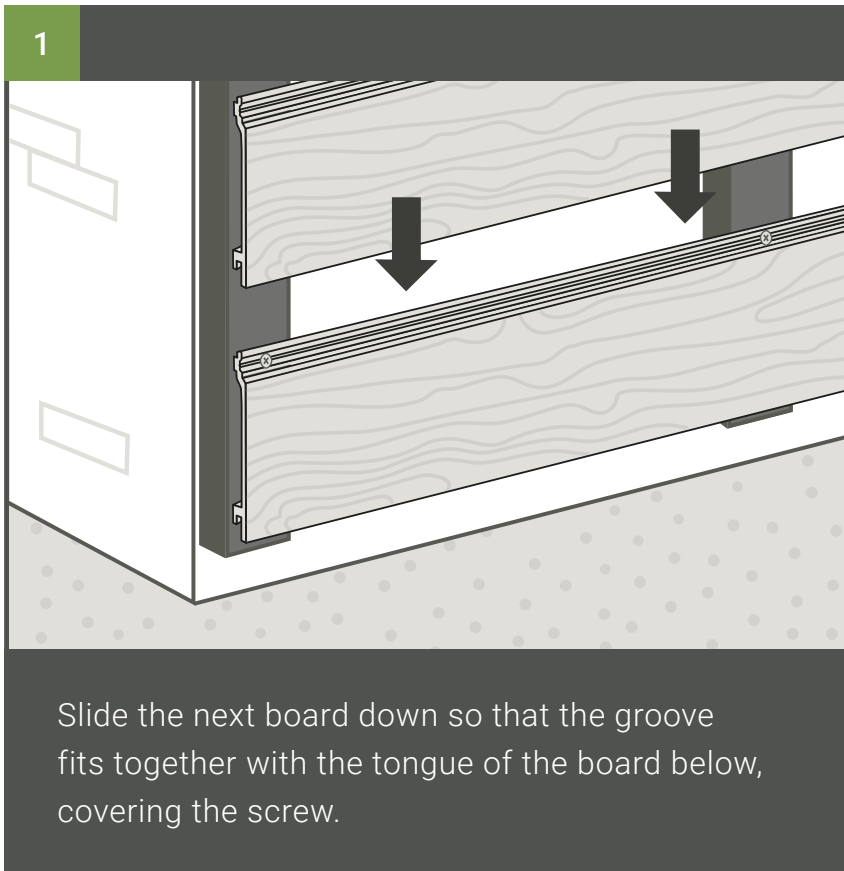
Where two cladding boards are installed end-to-end, this is known as a board butt joint.

You **MUST** leave a **6mm** expansion gap between board butt joints to prevent warping and swelling.



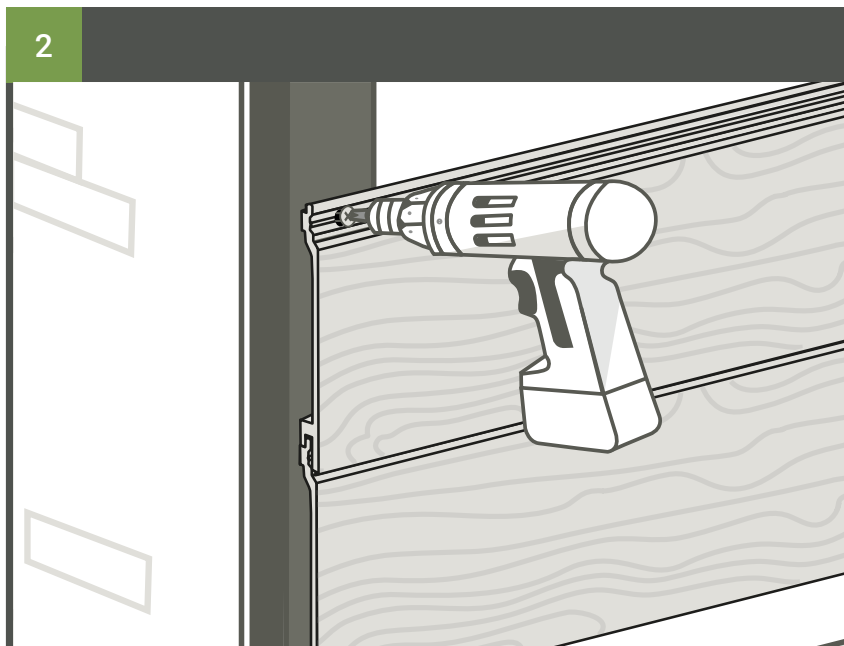
Board butt joints **MUST** be supported by sister batons.

### 5.3 Installing subsequent boards



Boards must not overhang batons more than **20mm**.

### 5.3 Installing subsequent boards (continued)



Then fix this board to the batons.

Pre-drill pilot holes through the groove in the board and into the batons behind.

Screw through the pre-drilled holes to fix the board to the batons using countersunk stainless steel screws.

Repeat this process until the whole area is covered.

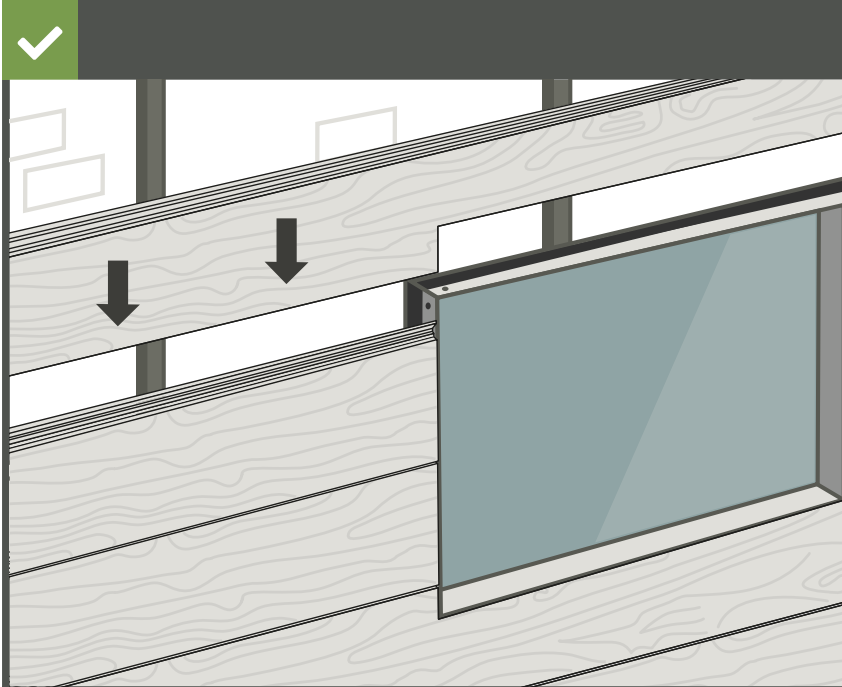


**DO NOT** over-tighten screws.



Boards must not overhang batons more than **20mm**.

## 5.4 Ripping boards to fit



You may need to cut some of your cladding boards lengthways to fit the space. This is known as ripping.



We recommend using a table saw to rip your boards.

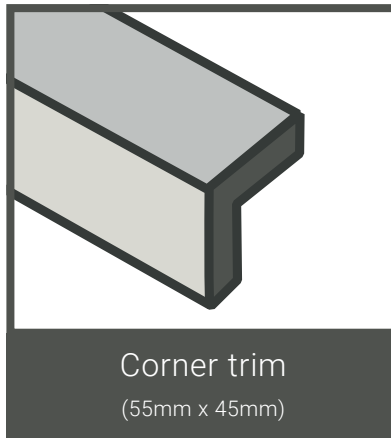
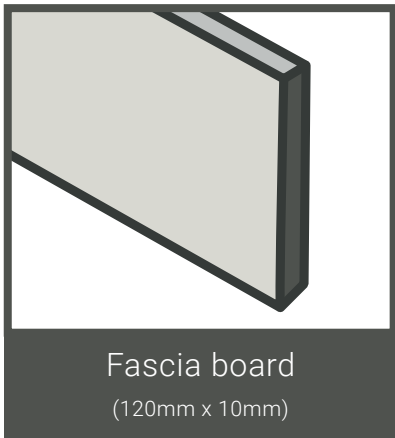
# 6. Finishing touches

## 6.1 About finishing boards

Finishing boards can be used to give your cladding a finished look. There are two types of finishing boards:

- Fascias
- Corner trim

Install finishing boards after the rest of the cladding boards have been installed.



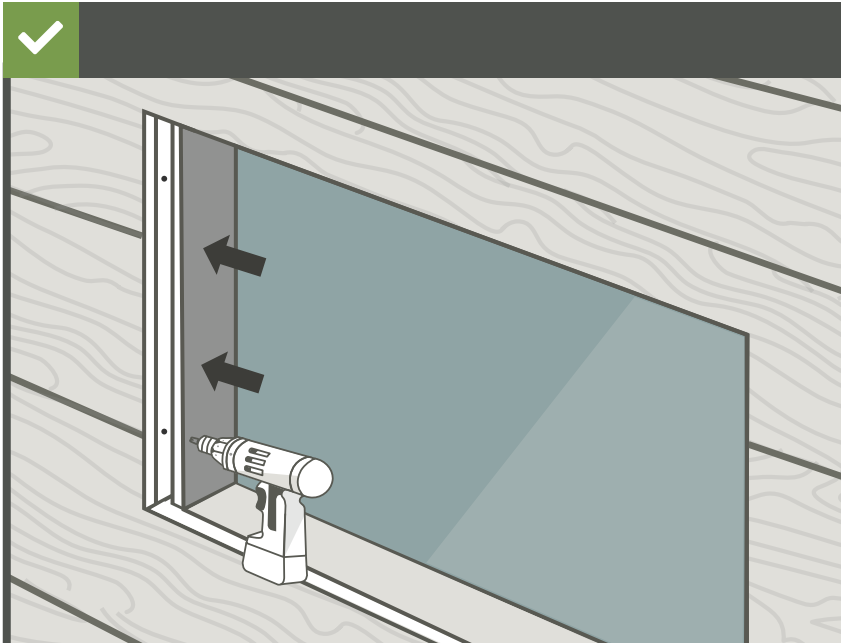
You **MUST** leave a ventilation gap beneath the finishing board to ensure adequate airflow between the wall and the cladding.



Additional batons may be required around windows and doors for fixing finishing boards.

## 6.2 Installing fascia boards

Fascia boards can be used to cover exposed edges around windows and doors.



Trim or rip the fascia boards to size.

Place the fascia board over the area you want to cover and ensure all edges sit flush with the cladding boards.

Pre-drill pilot holes and countersink holes.

Screw into position using countersunk stainless steel screws.



**DO NOT** over-tighten screws.



We do **NOT** recommend using adhesives to fix your finishing boards.

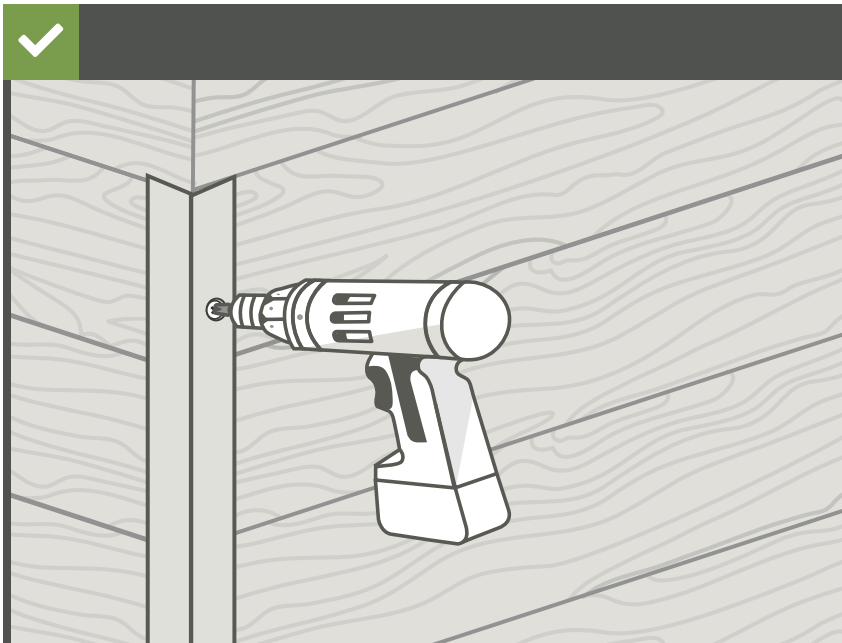


Additional fittings may be required for this stage.

### 6.3 Installing corner trims

Corner trim boards fit over the corners of your cladding to create a neat corner finish.

Corner trims can also be used to cover exposed edges around windows and doors.



Trim the corner trim boards to size.

Place the corner trim board over the area you want to cover and ensure all edges sit flush with the cladding boards.

Pre-drill pilot holes and countersink holes.

Screw into position using countersunk stainless steel screws.



**DO NOT** over-tighten screws.



We do **NOT** recommend using adhesives to fix your finishing boards.



Additional fittings may be required for this stage.

# CARE AND SUPPORT



## 8. Maintenance

### GENERAL CARE TIPS

Our products are designed to be low maintenance, but light cleaning and care can keep your cladding looking brand new for longer.

Note that although our products are relatively colour stable, there may be some initial lightening as the product naturally weathers over the first 8-10 weeks.

Your cladding can be washed with soapy water and a soft-bristled brush, or with a power washer. We recommend using no more than 1500psi pressure. Spray in the direction of the grain and use a fan tip nozzle.

### DIRT AND GRIME

Maintaining a clean, dry surface is the best method of combating dirt, grime and mildew build-up. Although our products are designed to inhibit mildew, stains can occur where moisture, pollen or dirt has built up.

### SPOT STAINS

Most stains can be removed using household cleaners. Soak the affected area as soon as possible, then scrub and rinse.

For more stubborn stains, we recommend using a composite-specific cleaner.

For very set stains, sand lightly with coarse sandpaper (60-60 grit), always in the direction of the grain. Be careful not to sand away the grain effect.

Cleaned or sanded areas may appear lighter. 8-10 weeks of sun exposure should correct this.

Like any wood-based product, composite products can sometimes experience a natural process known as extractive bleeding (also known as tea staining). This can cause temporary discolouration that will fade over time.

### SCRAPES AND SCRATCHES

Surface scratches and abrasions will fade with weathering. However, marks can be eliminated using a wire brush or coarse sandpaper (60-80 grit). Simply brush/sand in the direction of the grain until the mark has gone. The treated area will weather back in around 8-10 weeks.

### PAINTING AND STAINING

We do not recommend painting or staining your cladding.

However, it is possible for our products to be painted or stained.

Wait until the product has been weathered for 8-10 weeks to ensure you are working with the final colour.

Clean and dry the surface before applying any product.

Always follow manufacturer's instructions when applying paint or stain.

## 9. FAQs

### **Q. WHERE CAN I USE COMPOSITE CLADDING?**

A. Our cladding ranges can be used in a variety of locations, both residential and commercial.

### **Q. WHAT COLOURS ARE AVAILABLE?**

A. Our composite cladding comes in a variety of colours. Visit our website or showroom to view the full range.

### **Q. WILL THE COLOUR FADE OVER TIME?**

A. Our cladding products will naturally lighten over the first 8-12 weeks and then will stabilize after this period.

### **Q. IS COMPOSITE CLADDING FIRE RETARDANT?**

A. All our composite products are designed to be fire retardant. If a specific requirement is needed for a project please get in touch for advice.

### **Q. HOW DO YOUR PRODUCTS REACT WHEN EXPOSED TO WATER?**

A. Our products are designed to take on very little water (c.1%). Our ranges have a much lower absorption rate than timber, which greatly reduces the likelihood of wet rot developing.

### **Q. DO YOU HAVE RECOMMENDED INSTALLERS I CAN USE?**

A. We have an extensive network of recommended installers who we trust to bring your plans to reality.

We have chosen these installers for their high quality of work and professionalism, but as with any third party, we recommend that you follow your own precautions before entering into a contract with them.

### **Q. DOES THE CLADDING REQUIRE TREATING?**

A. Our products are already coloured so do not require painting or treatment at all.

### **Q. ANYTHING ELSE?**

A. For any other technical, installation or care questions:

Call our technical team on **0115 684 8754**

Or email us at **[info@selectlivinggroup.co.uk](mailto:info@selectlivinggroup.co.uk)**