

# primo®

## FREEDOM TRAINER

### PARTS:

A. Right Side

B. Left Side

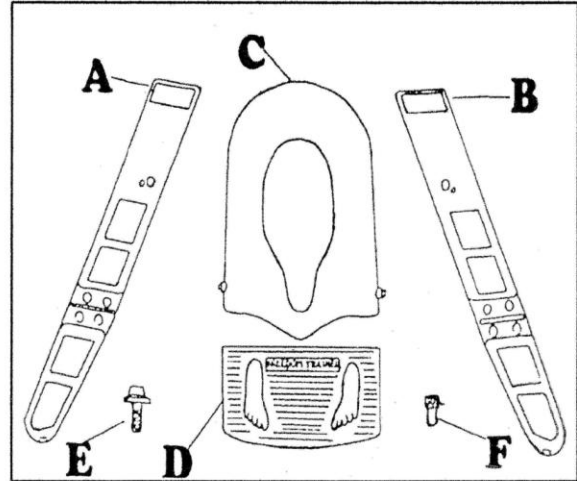
C. Seat

D. Step

E. 6 Screws

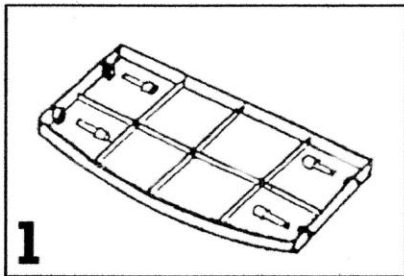
F. 6 Bushings

(Note: Screw and Bushing is shipped as 1 piece.)

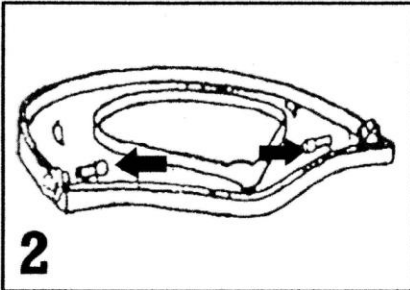


### ASSEMBLY INSTRUCTIONS:

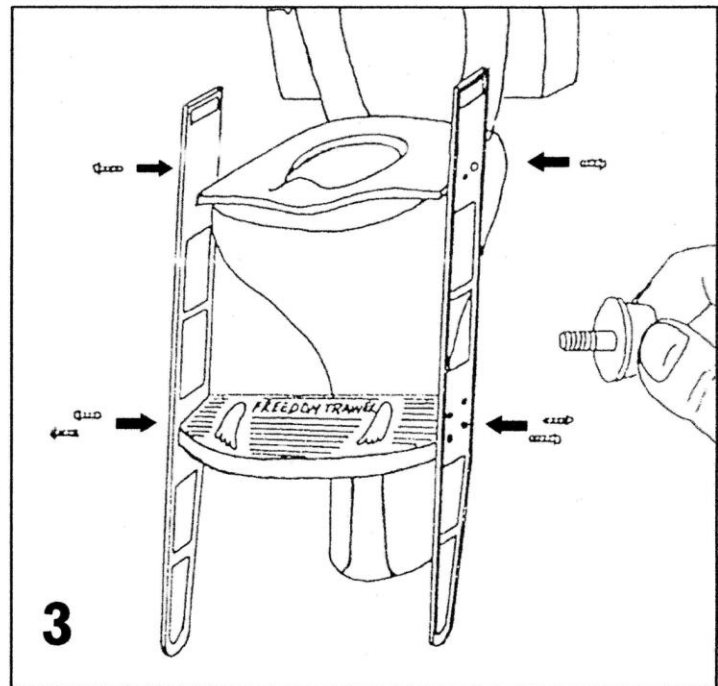
To assemble the **FREEDOM TRAINER**, follow the step by step instructions below.



Insert 4 (F) Bushings into the appropriate holes on the Step (D) as shown.



Insert 2 (F) Bushings into the appropriate holes on the seat (C) as shown.



Assemble parts A, B, C and D as shown using 6 (E) screws as shown. Your **FREEDOM TRAINER** is now ready to use.

**Cleaning Instructions:** Clean with soap and water. Wipe dry.

**PRIMO** 149 Shaw Avenue Irvington, NJ 07111 - Tel: (973) 926-5900

Website: [www.primobaby.com](http://www.primobaby.com) E-Mail: [info@primobaby.com](mailto:info@primobaby.com)

**Made in USA**